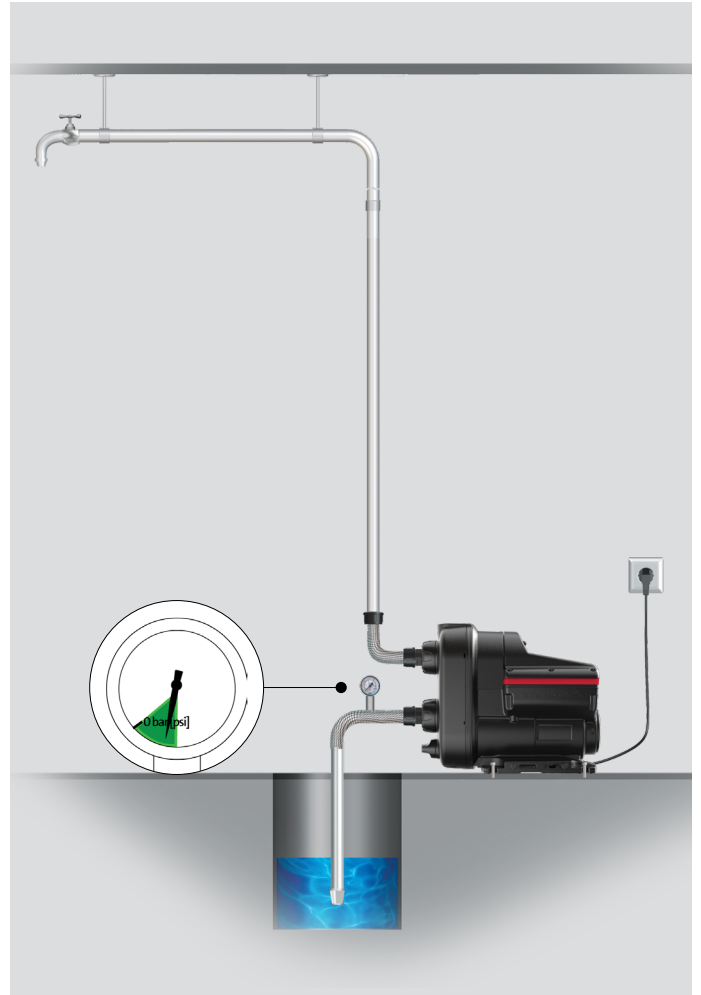


SCALA2

Quick guide
SCALA2 locking pin



GRUNDFOS



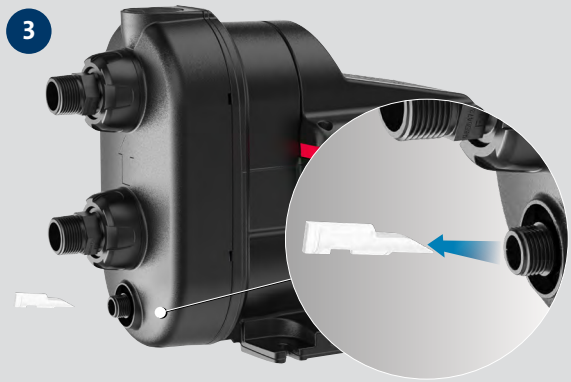
1



2

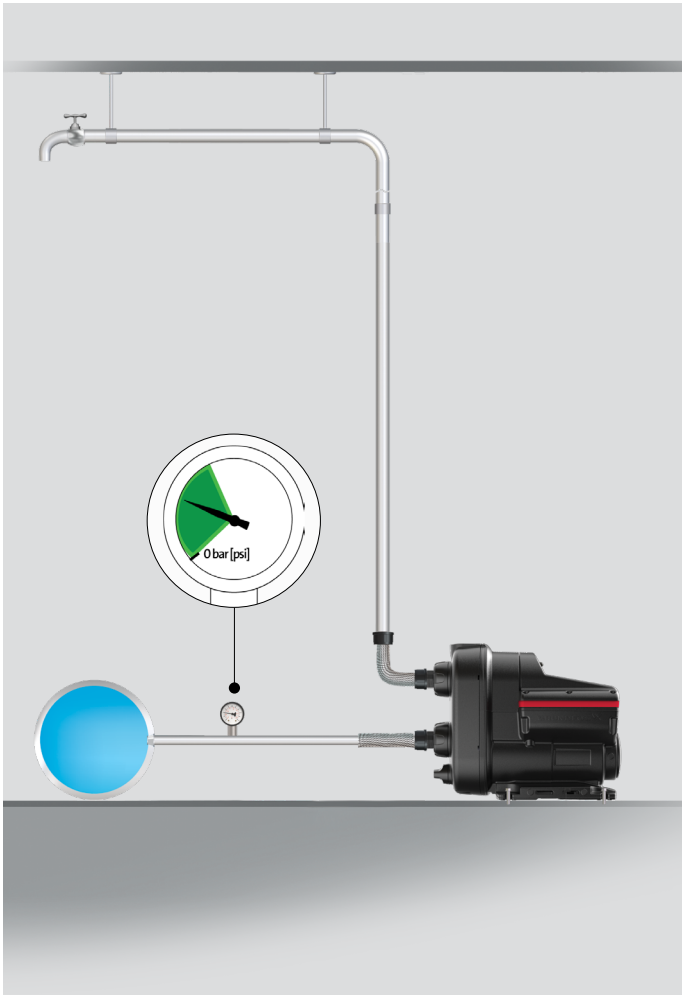


3



4



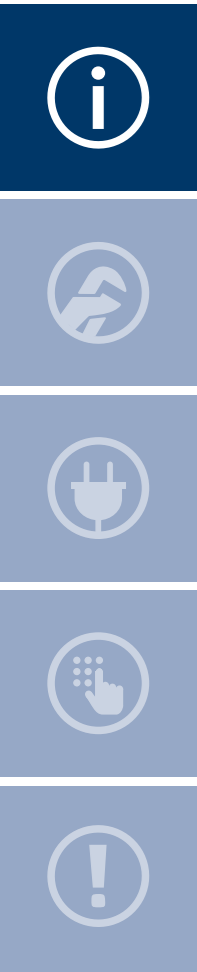




SCALA2



<http://qr.grundfos.com/i/scala2install>



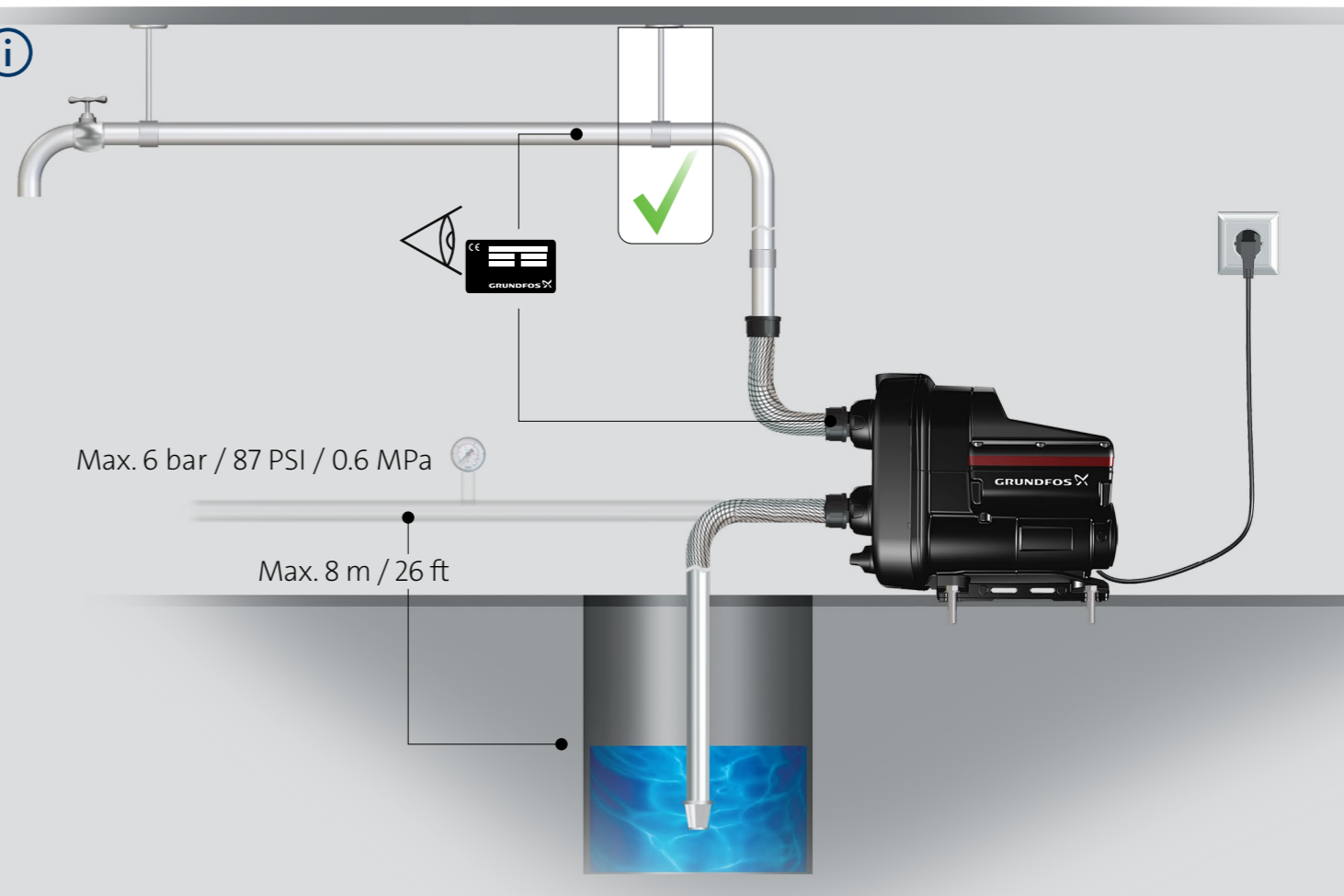
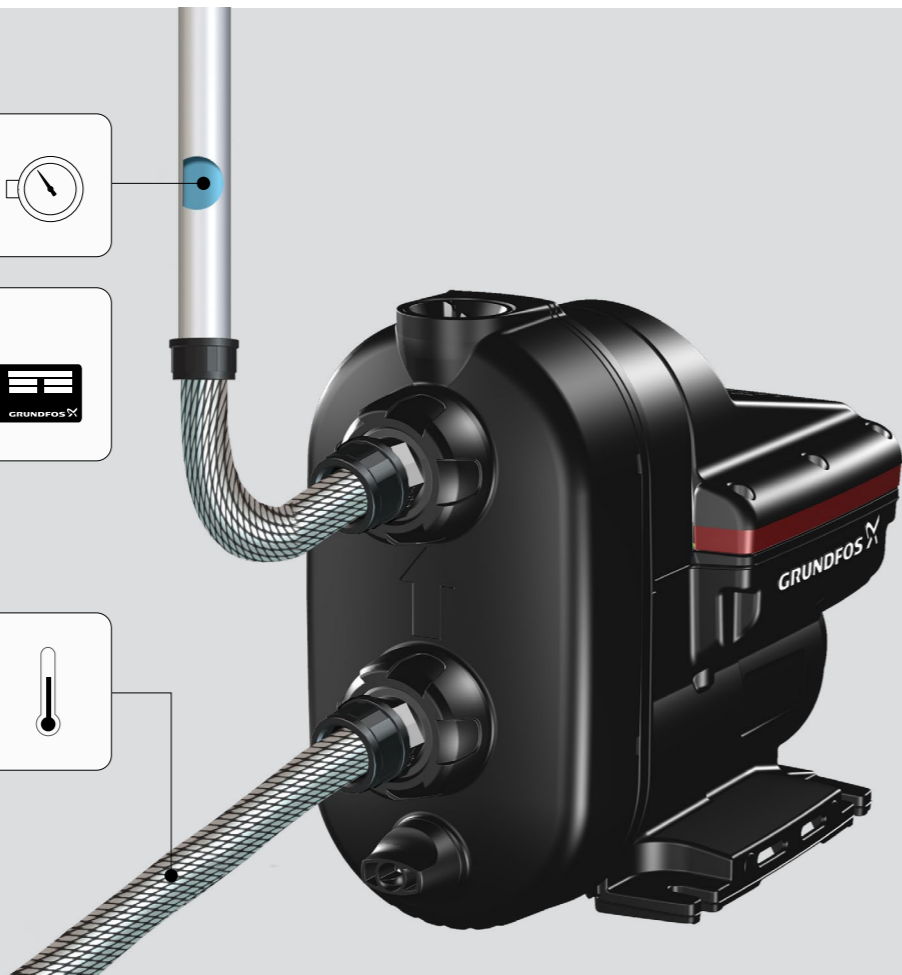
PN10:
Max. 10 bar/1.0 MPa

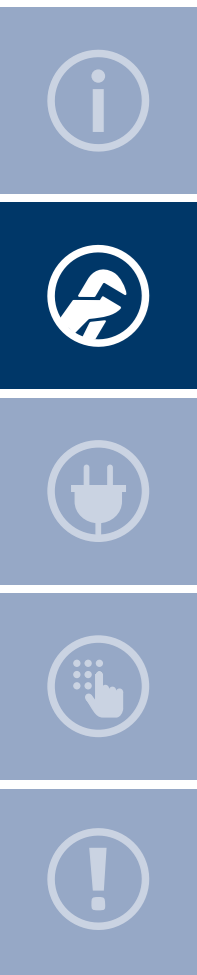


- Voltage
- Ambient temperatur

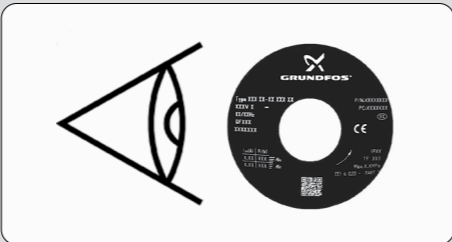


Min./Max.
0 °C – 45 °C /
32 °F – 113 °F





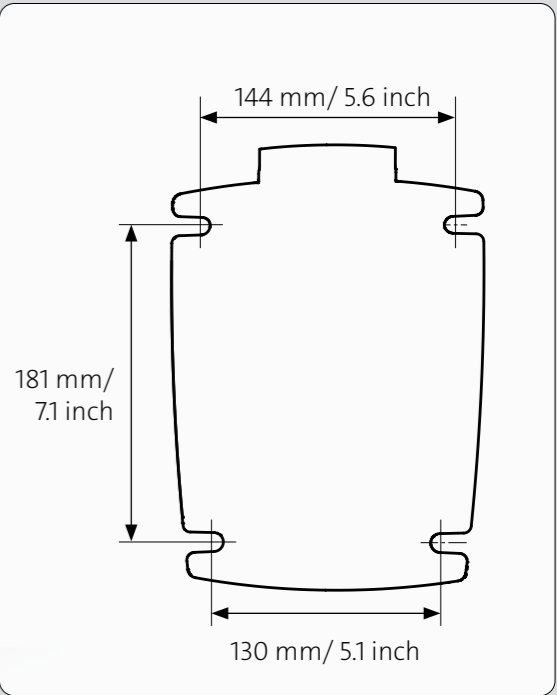
1

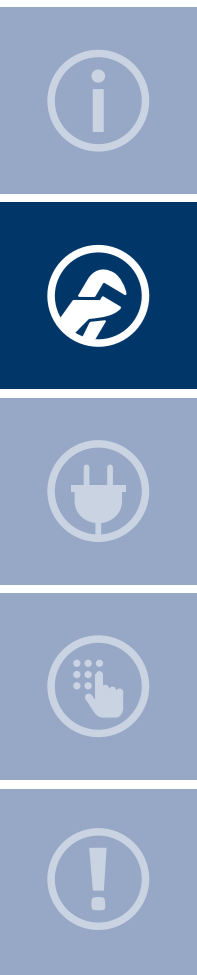


2

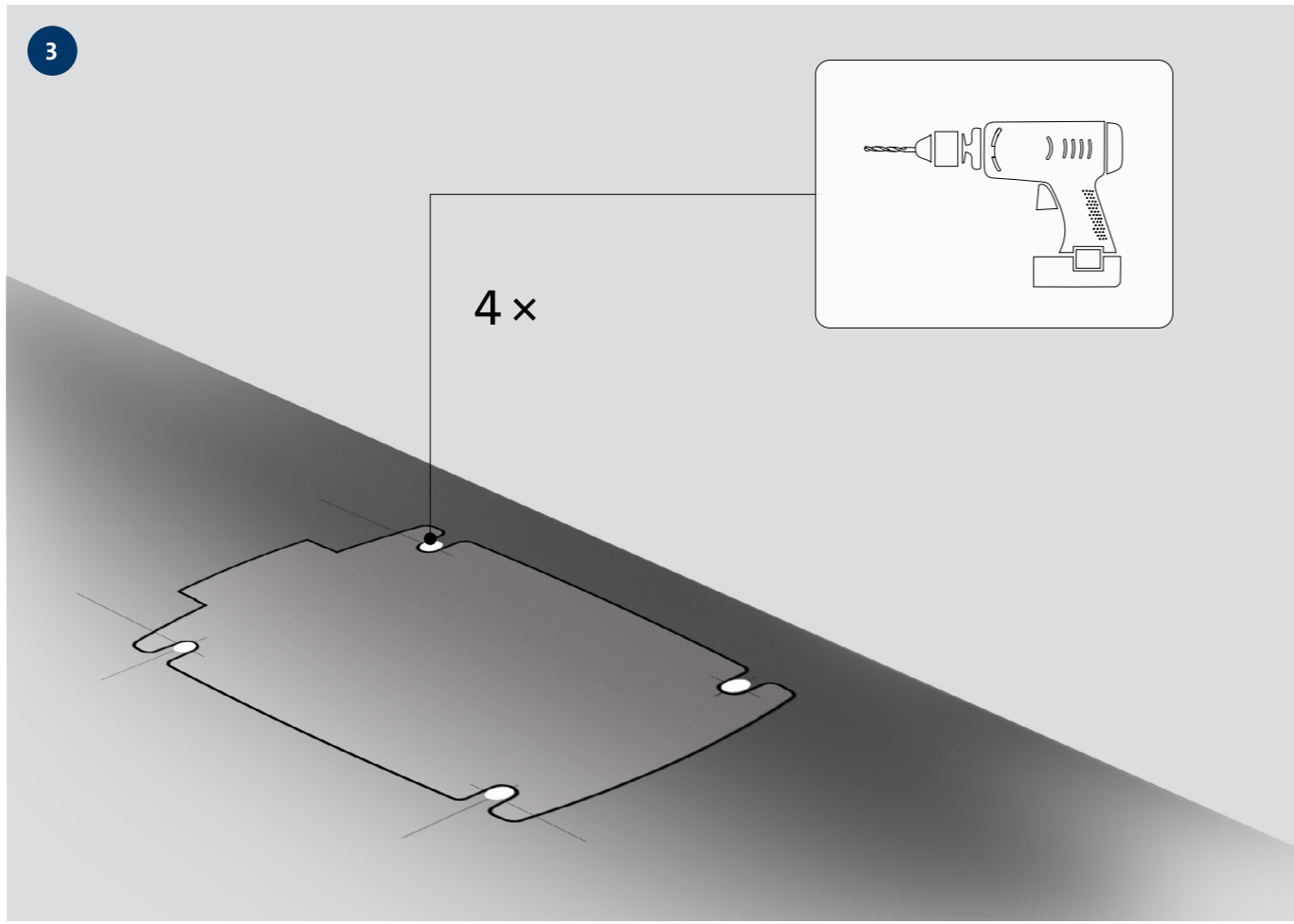


<http://qr.grundfos.com/i/scala2install>

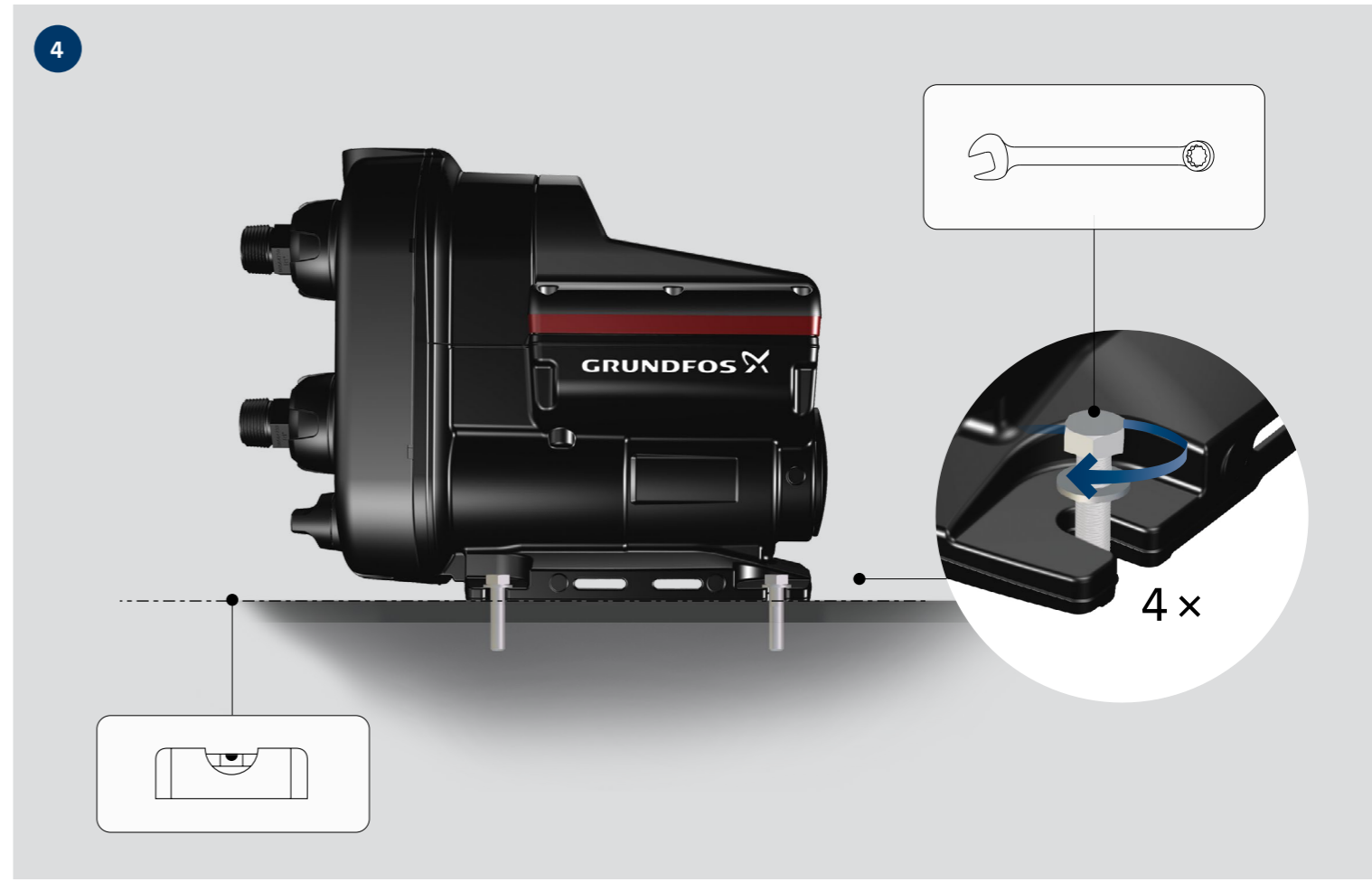


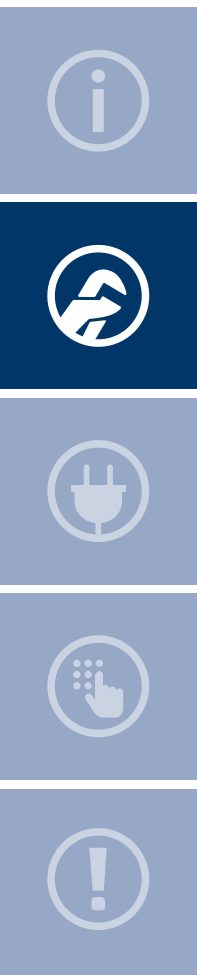


3

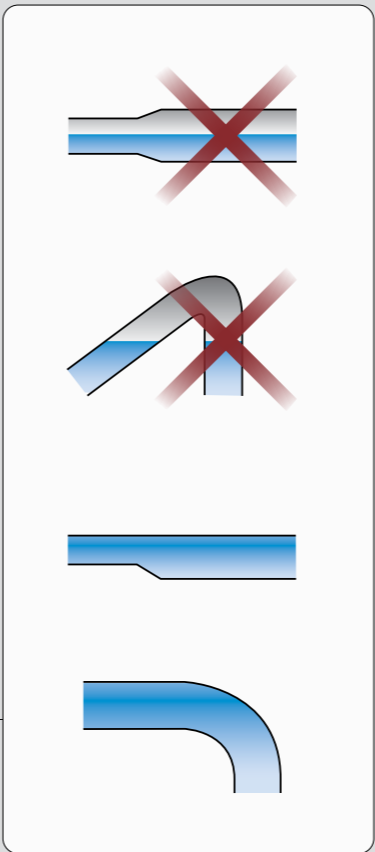
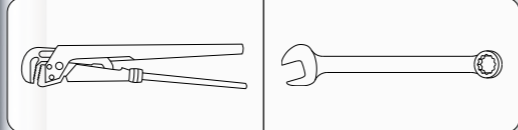
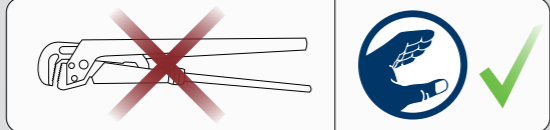


4





5



5A

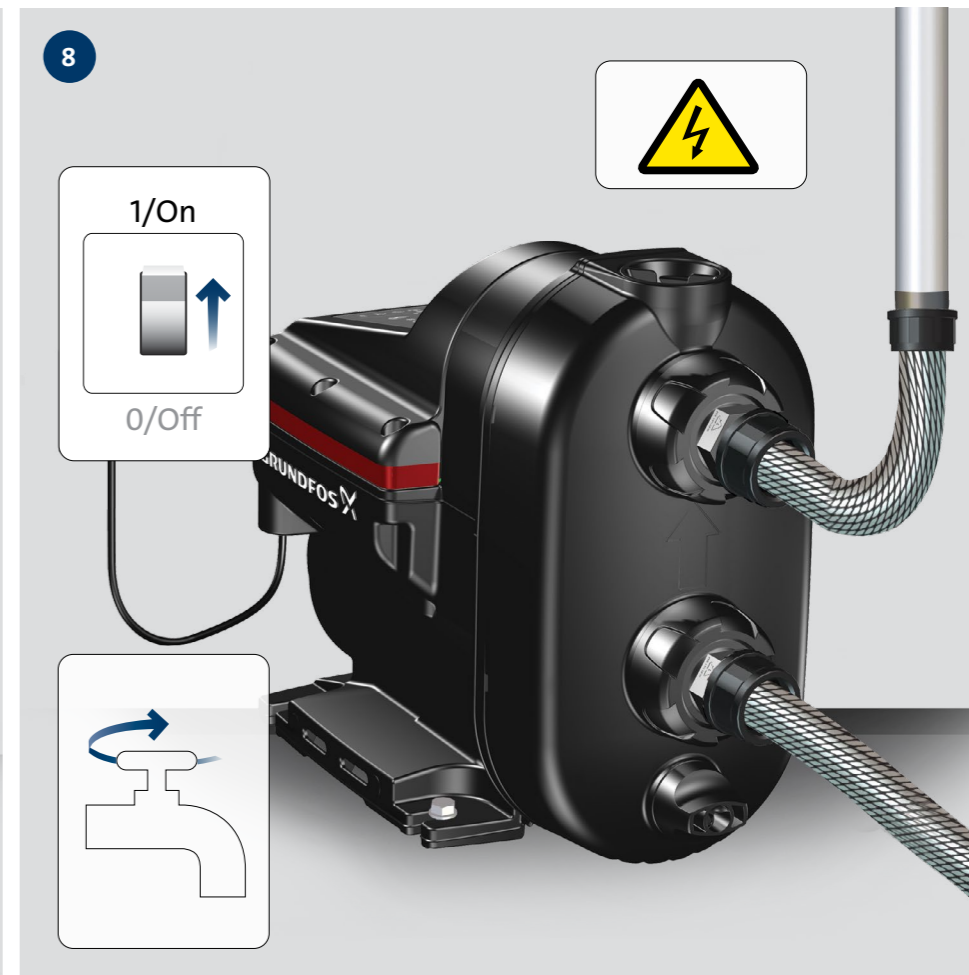
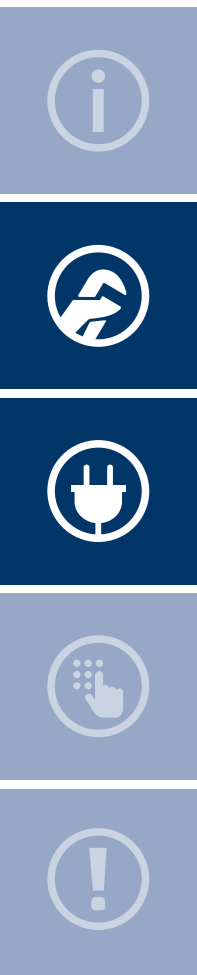


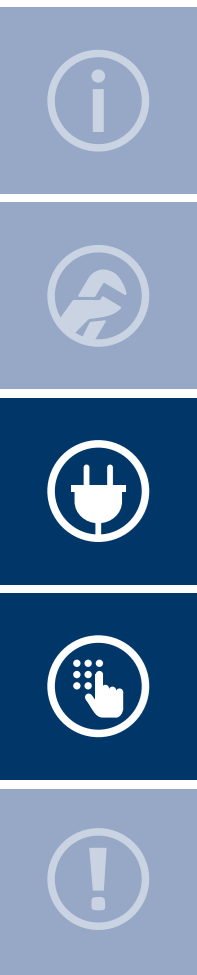
5B



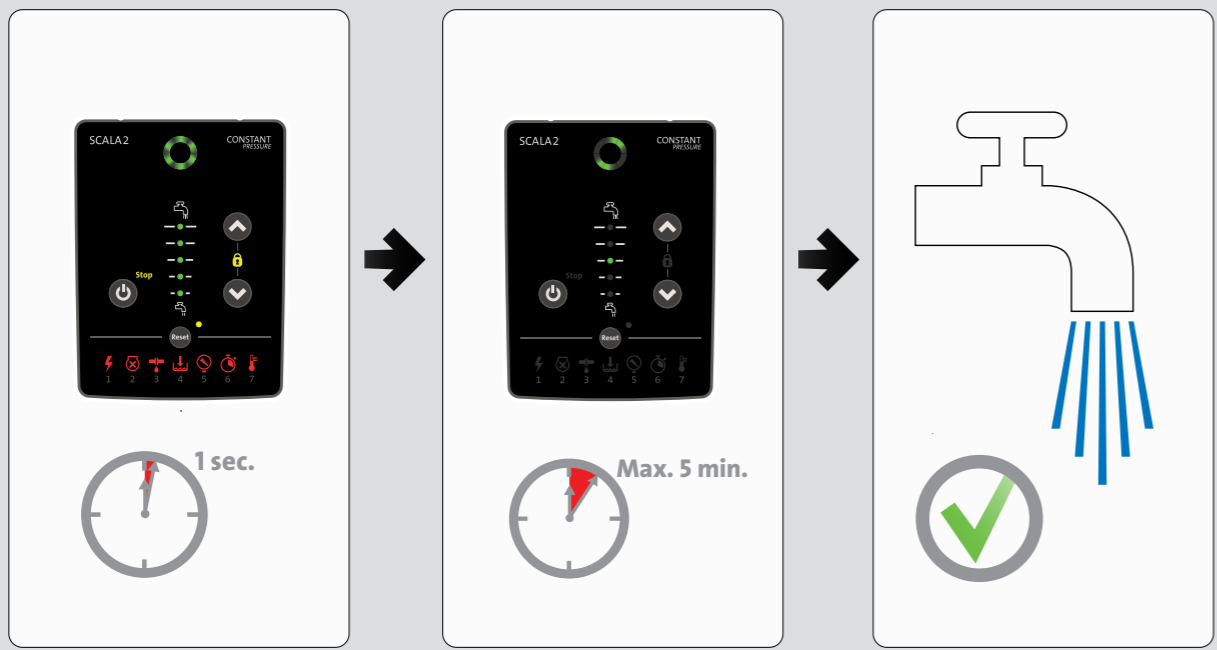
5C

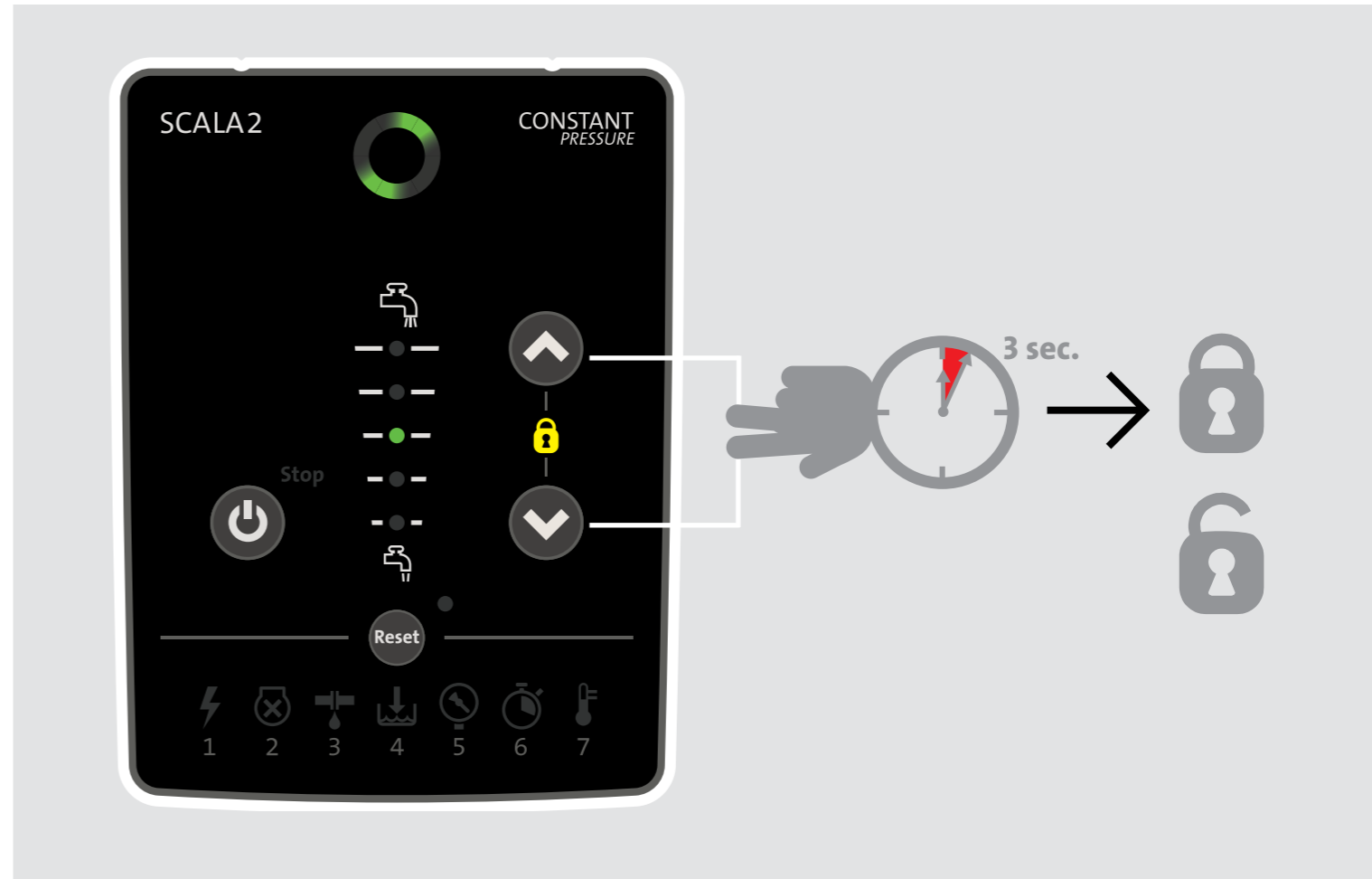
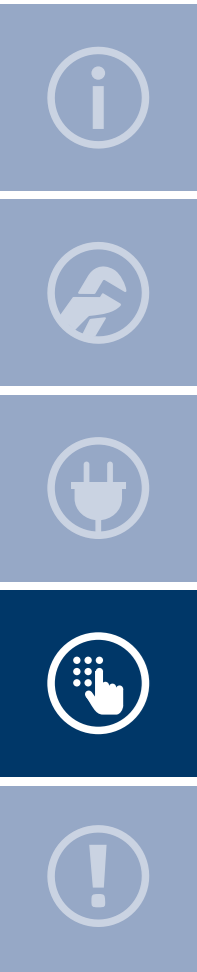


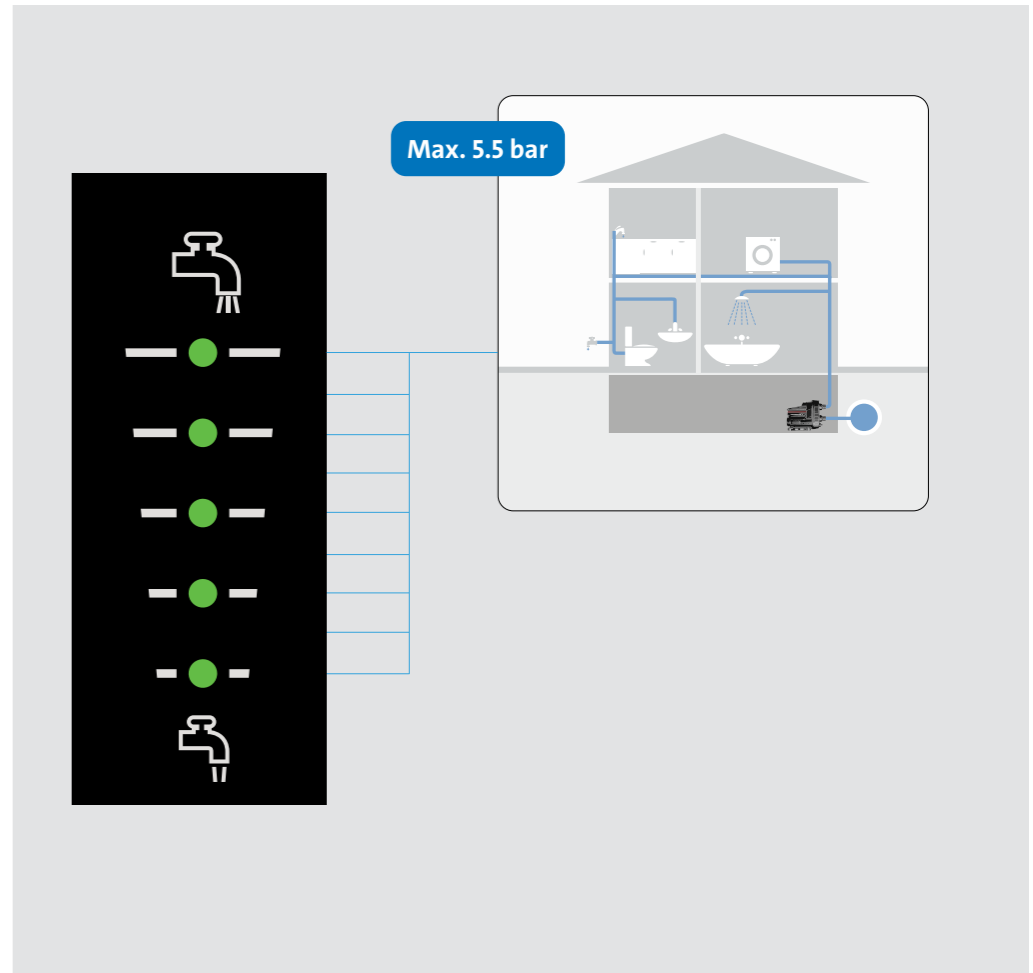
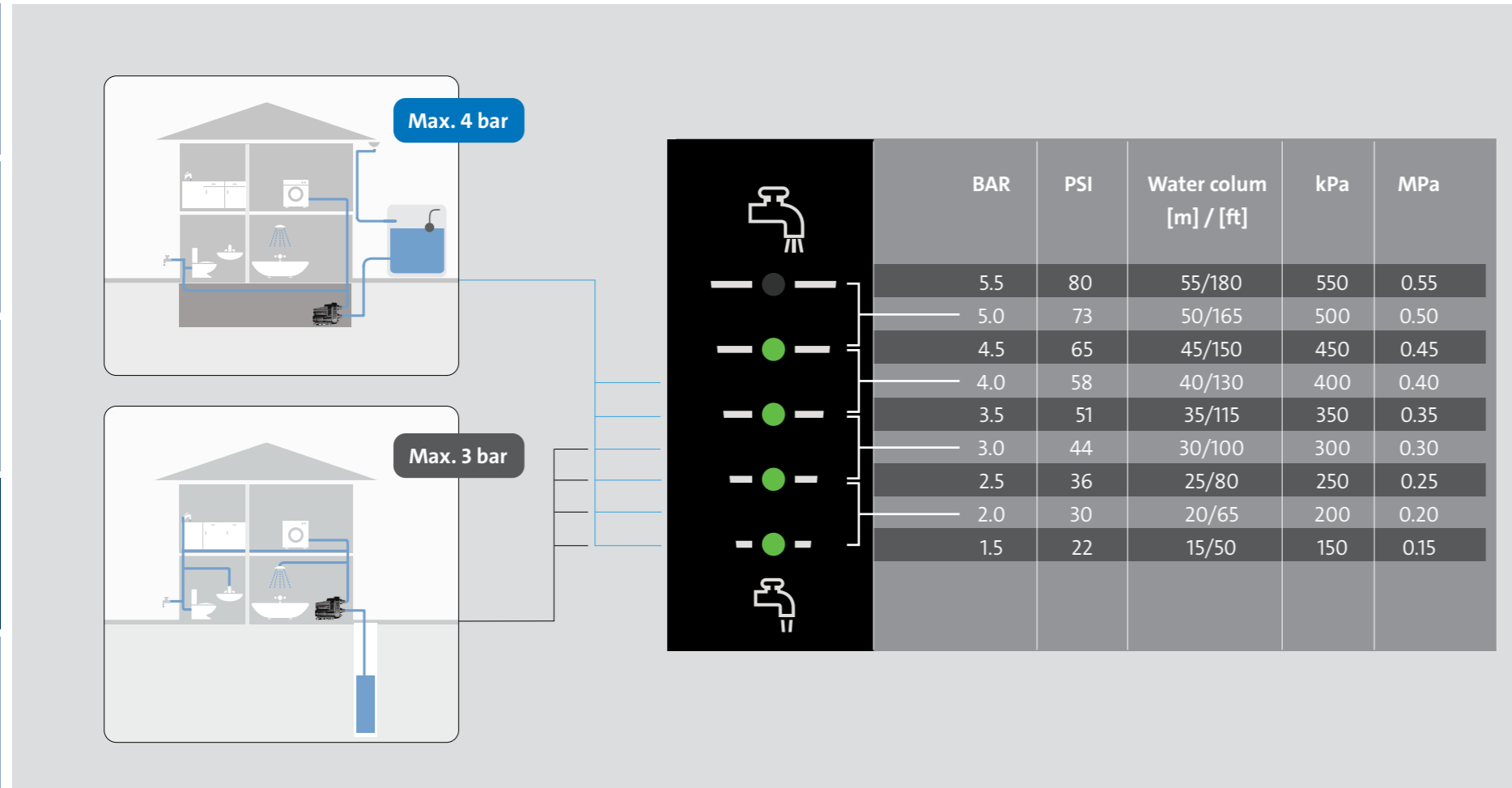
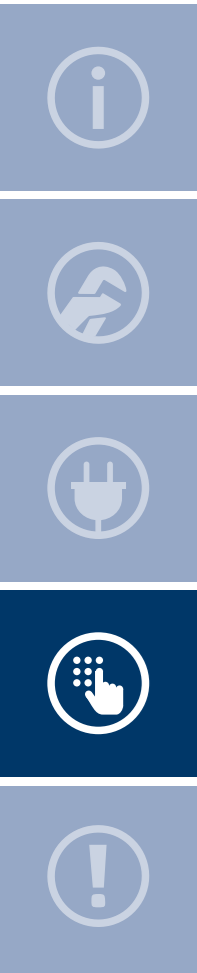


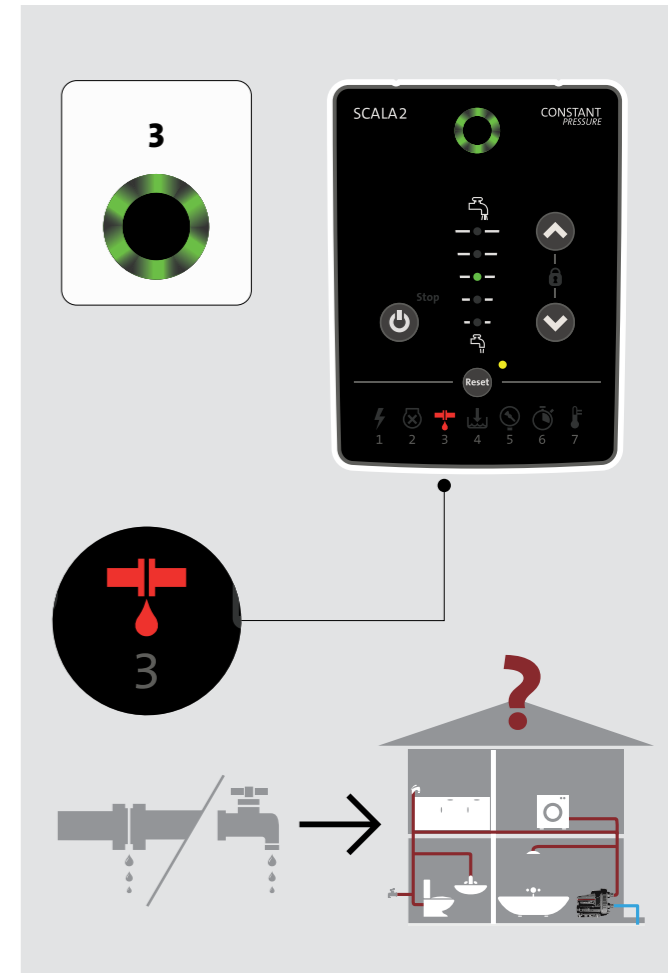
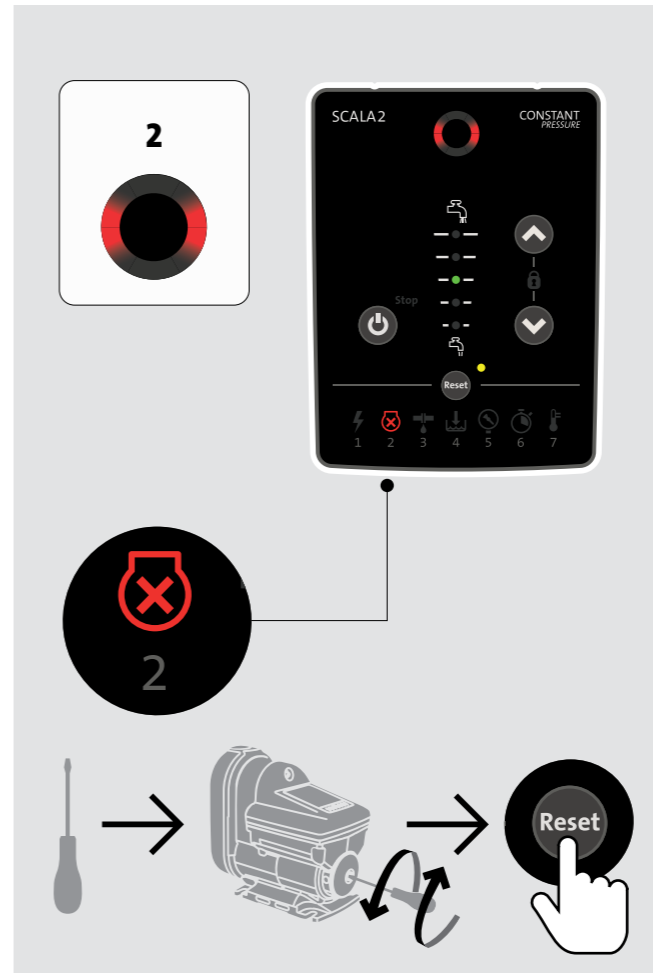
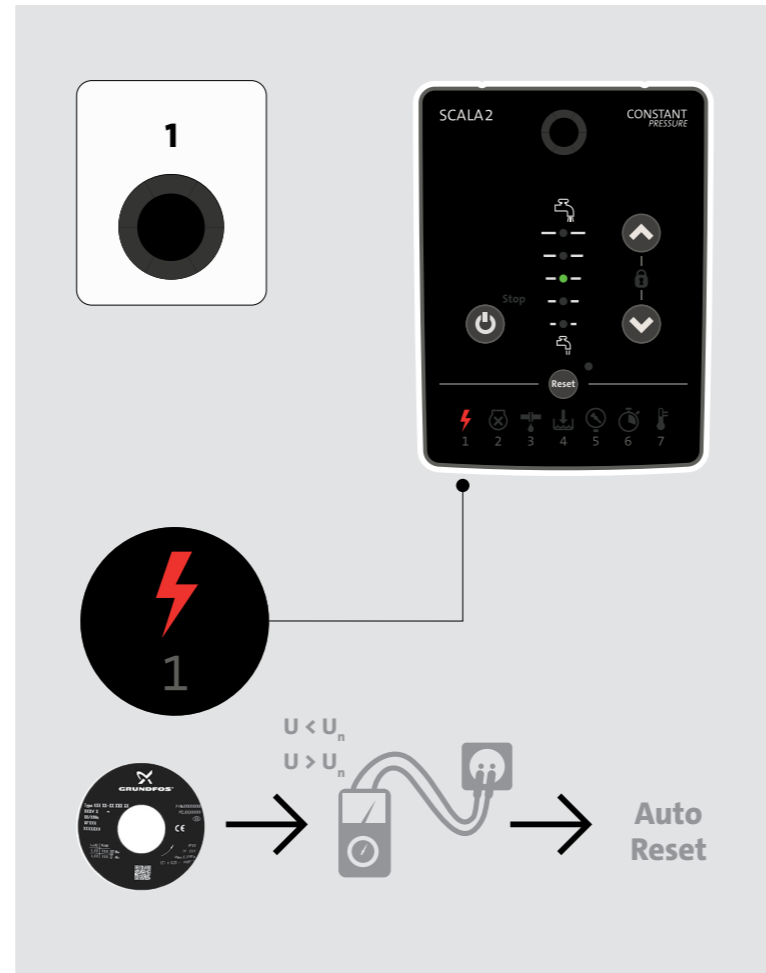
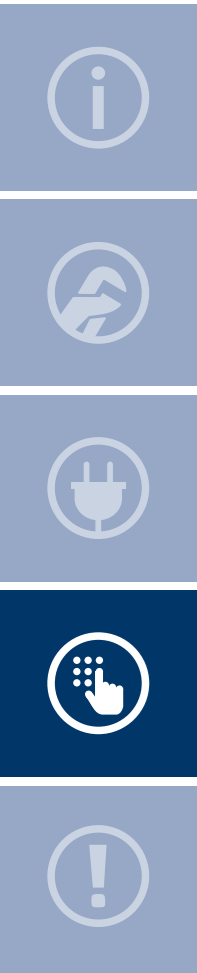


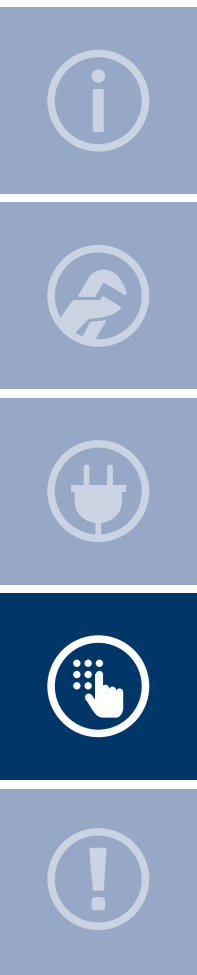
9











4

SCALA2 CONSTANT PRESSURE

Stop

Reset

1 2 3 4 5 6 7

4

5

SCALA2 CONSTANT PRESSURE

Stop

Reset

1 2 3 4 5 6 7

5

6

SCALA2 CONSTANT PRESSURE

Stop

Reset

1 2 3 4 5 6 7

6

30 min.

7

SCALA2 CONSTANT PRESSURE

Stop

Reset

1 2 3 4 5 6 7

7



net.grundfos.com/qr/i/98880508

98501666	
ECM: 1361638	02.2023

GRUNDFOS Holding A/S

Poul Due Jensens Vej 7

DK-8850 Bjerringbro

Tel: +45 87 50 14 00

www.grundfos.com

GRUNDFOS 

The name Grundfos, the Grundfos logo are registered trademarks owned by Grundfos Holding A/S or Grundfos A/S, Denmark. All rights reserved worldwide.