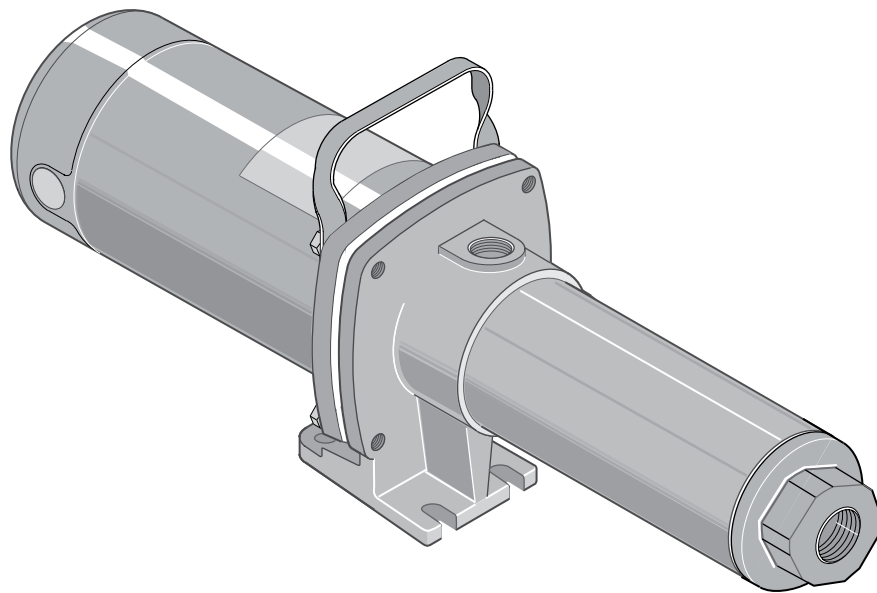


BERKELEY®

**INSTALLATION AND OPERATING INSTRUCTIONS
REPAIR PARTS LIST**



READ AND FOLLOW SAFETY INSTRUCTIONS!



⚠ DANGER

⚠ WARNING

⚠ CAUTION

ELECTRICAL SAFETY

⚠ WARNING



Hazardous voltage.
Can shock, burn, or
cause death.

Ground pump before
connecting to power
supply.

⚠ Some models of pump are supplied with 3-connector grounding type cord. Connect only to properly grounded, GFCI protected outlet. Do not lift pump by electrical cord.

⚠ Pump is non-submersible. Keep motor dry at all times. Do not wash motor. Do not immerse. Protect motor from wet weather.

⚠ If using extension cord, use only UL approved indoor/outdoor,

3-wire, grounding type cord. Do not allow any part of cord or receptacle ends to sit in water or damp locations.

⚠ Unplug pump before servicing.

⚠ CAUTION Burn Hazard. Do not touch an operating motor. Modern motors can operate at high temperatures. To avoid burns when servicing pump, allow it to cool for 20 minutes after shut-down before handling.

Follow local and/or national plumbing and electrical codes when installing.

⚠ WARNING Hazardous Pressure. DO NOT run the pump with discharge shutoff, as hose may burst or pump may be damaged due to high temperatures.

California Proposition 65 Warning

⚠ WARNING This product and related accessories contain chemicals known to the State of California to cause cancer, birth defects or other reproductive harm.

This is the safety alert symbol. When you see this symbol on your pump or in this manual, look for one of the following signal words and be alert to the potential for personal injury:

DANGER warns about hazards that **will** cause serious personal injury, death or major property damage if ignored.

WARNING warns about hazards that **can** cause serious personal injury, death or major property damage if ignored.

CAUTION warns about hazards that **will** or **can** cause minor personal injury or property damage if ignored.

The word **NOTICE** indicates special instructions which are important but not related to hazards.

GENERAL SAFETY

To avoid risk of serious bodily injury and property damage, read safety instructions carefully before installing pump.

Do not allow pump or any system component to freeze. To do so may damage system and void warranty.

⚠ WARNING Risk of electric shock. To avoid fatal shocks, proceed as follows if pump needs servicing.

- Disconnect power to pump outlet box before pulling pump cord plug.** After plug is pulled, let pump cool for 20 minutes before attempting to work on it.
- Take extreme care when changing fuses.** To reduce chance of fatal electrical shocks, **DO NOT** stand in water or put your finger in the fuse socket.
- Ground** electrical outlet box.
- Use only Ground Fault Circuit Interrupter (GFCI) protected grounded outlet** for cord plug.

Never run pump dry. To do so can damage internal parts, overheat pump (which can cause burns to people handling or servicing pump), and will void warranty!

Do not pump chemicals or corrosive liquids with pump.

⚠ WARNING Hazardous Pressure.

- Use high pressure reinforced type discharge hose ONLY.** See parts list for available hose, nozzle and fittings. A high pressure relief valve is recommended.
- DO NOT use garden hose with H.P. Booster pump!** Garden hose will not stand the discharge pressure produced and will fail!
- High pressure discharge stream is dangerous!** To avoid injury, **DO NOT aim the discharge stream at any person or animal.**
- BE SURE pump suction pipe pressure plus pump discharge pressure does not exceed pressure rating of hose and fittings!** See Table I for pump discharge pressure ratings.

INSPECT THE SHIPMENT

The high pressure booster pump has been carefully inspected and packaged to assure safe delivery. Inspect the pump and fittings and report to the carrier any items which are damaged or missing.

INSTALLATION

The pump is designed to boost city water pressure or water pressure from a private water system. Use this high pressure stream to wash down milk parlors, barns, garages and driveways, or for fire protection.

The pump is portable with a convenient carrying handle. If an existing pressure water system is to be used as a water supply, it can be connected with available fittings and 1" or 1-1/4" high pressure hose to the pump inlet. A special heavy duty 1" or 1-1/4" suction hose with fittings is available as an accessory. If the pump is permanently mounted on wall, use a 1" or 1-1/4" pipe or heavy-duty hose for the suction line. 20 GPM models require a 1-1/4" discharge hose to reduce friction losses.

TABLE I - DISCHARGE PRESSURE

GPM	HP	No. of Stages	Discharge Pressure PSI at Rated Flow	Discharge Pressure PSI at No Flow
7	1/2	9	90	130
7	3/4	12	123	173
7	1	16	162	229
10	1/2	6	74	113
10	3/4	8	97	147
10	1	10	134	188
10	1	11	146	202
10	1-1/2	14	173	206
10	2	16	197	260
20	1	7	75	110
20	1-1/2	9	97	143
20	2	11	123	175
20	3	15	195	250
30	1	5	59	75
30	1-1/2	6	71	91
30	2	7	81	106
30	3	11	129	167

***For total discharge pressure, add this pressure to suction pipe pressure.** For example, an MGP7C pump taking suction from a 100 psi water service line will produce 130 + 100 = 230 psi total discharge pressure at 0 GPM flow. If suction pressure drops to 50 psi, discharge pressure will drop to 180 psi.

Limited Warranty

BERKELEY warrants to the original consumer purchaser ("Purchaser" or "You") of the products listed below, that they will be free from defects in material and workmanship for the Warranty Period shown below.

Product	Warranty Period
Water Systems:	
Water Systems Products — jet pumps, small centrifugal pumps, submersible pumps and related accessories	whichever occurs first: 12 months from date of original installation, or 18 months from date of manufacture
Pro-Source™ Composite Tanks	5 years from date of original installation
Pro-Source™ Steel Pressure Tanks	5 years from date of original installation
Pro-Source™ Epoxy-Lined Tanks	3 years from date of original installation
Sump/Sewage/Effluent Products	12 months from date of original installation, or 18 months from date of manufacture
Agricultural/Commercial:	
Centrifugals – close-coupled motor drive, frame mount, SAE mount, engine drive, VMS, SSCX, SSHM, solids handling, submersible solids handling	12 months from date of original installation, or 24 months from date of manufacture
Submersible Turbines, 6" diameter and larger	12 months from date of original installation, or 24 months from date of manufacture

Our limited warranty will not apply to any product that, in our sole judgement, has been subject to negligence, misapplication, improper installation, or improper maintenance. Without limiting the foregoing, operating a three phase motor with single phase power through a phase converter will void the warranty. Note also that three phase motors must be protected by three-leg, ambient compensated, extra-quick trip overload relays of the recommended size or the warranty is void.

Your only remedy, and BERKELEY's only duty, is that BERKELEY repair or replace defective products (at BERKELEY's choice). You must pay all labor and shipping charges associated with this warranty and must request warranty service through the installing dealer as soon as a problem is discovered. No request for service will be accepted if received after the Warranty Period has expired. This warranty is not transferable.

BERKELEY SHALL NOT BE LIABLE FOR ANY CONSEQUENTIAL, INCIDENTAL, OR CONTINGENT DAMAGES WHATSOEVER.

THE FOREGOING LIMITED WARRANTIES ARE EXCLUSIVE AND IN LIEU OF ALL OTHER EXPRESS AND IMPLIED WARRANTIES, INCLUDING BUT NOT LIMITED TO IMPLIED WARRANTIES OF MERCHANTABILITY AND FITNESS FOR A PARTICULAR PURPOSE. THE FOREGOING LIMITED WARRANTIES SHALL NOT EXTEND BEYOND THE DURATION PROVIDED HEREIN.

Some states do not allow the exclusion or limitation of incidental or consequential damages or limitations on the duration of an implied warranty, so the above limitations or exclusions may not apply to You. This warranty gives You specific legal rights and You may also have other rights which vary from state to state.

This Limited Warranty is effective June 1, 2011 and replaces all undated warranties and warranties dated before June 1, 2011.

In the U.S.: BERKELEY, 293 Wright St., Delavan, WI 53115

In Canada: 269 Trillium Dr., Kitchener, Ontario N2G 4W5

HIGH PRESSURE BOOSTER PUMP INSTALLATION INSTRUCTIONS

These instructions cover high pressure booster pump installations as shown below:

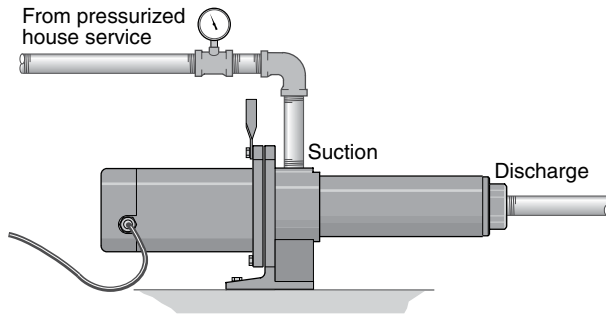


Figure 1 – Connection to house service.

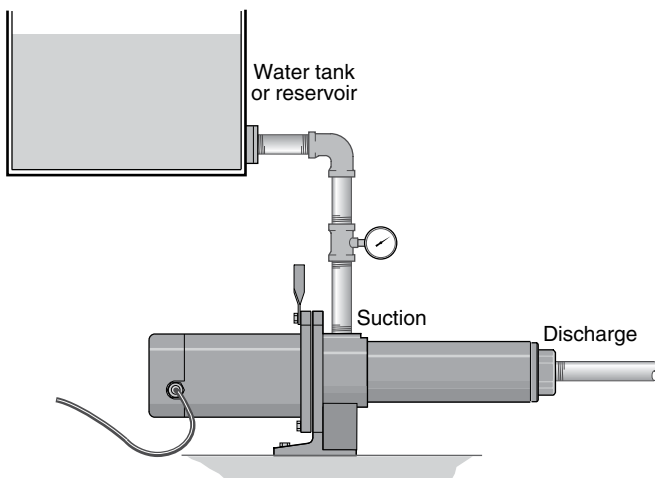


Figure 2 – Connection to water reservoir.

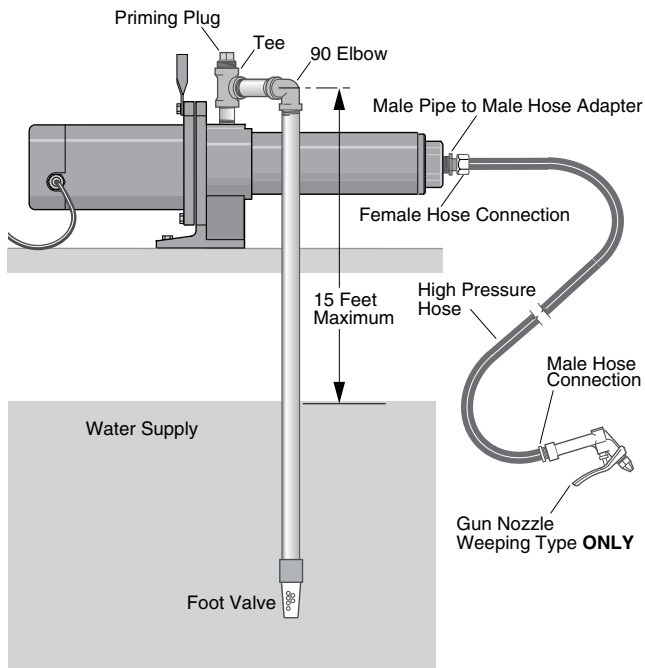
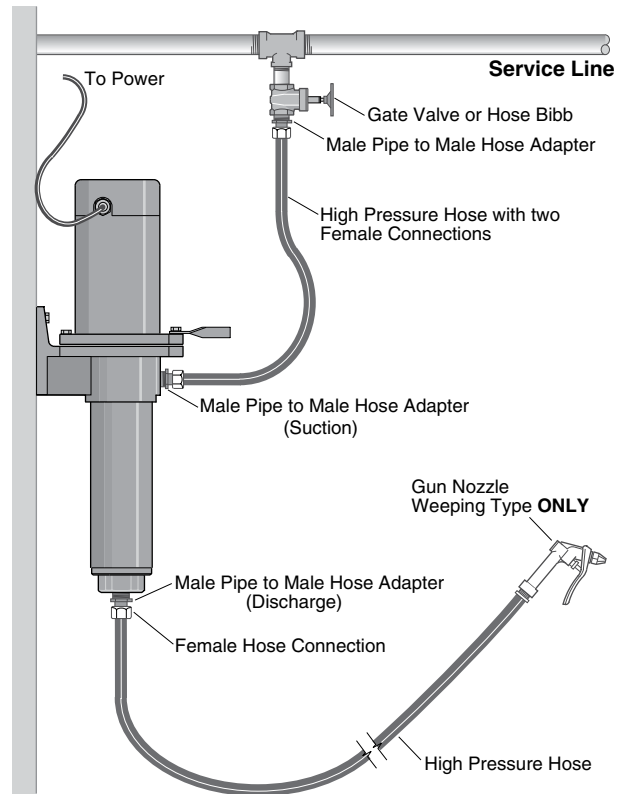


Figure 3 – Cistern or shallow well installation.



1209 0894

Figure 4 – Wall mounted to pressurized service line.

To reduce friction losses to a minimum, inlet (suction) line should be **short** and have as few elbows as possible.

Size inlet according to the chart below:

Ave. GPM	Threaded Inlet Size	Recommended Inlet Line Size	Recommended Discharge Line Size
7	3/4" NPT	1"	1"
10	3/4" NPT	1"	1"
20	1" NPT	1-1/4"	1-1/4"
30	1-1/4" NPT	1-1/2"	1-1/2"

An inlet strainer will prevent suspended debris from clogging pump.

The internal running surfaces of the pump and seals require water lubrication for good, consistent operation. **Allowing pump to run dry will severely damage pump and seals.**

Install a pressure gauge in pump inlet line. Keep at least two pounds per square inch pressure (2 PSI) in inlet line whenever pump is operating. If this is not possible, consult customer service representative.

⚠ Disconnect power before working on pump, motor, pressure switch, or wiring.

THE MOTOR IS SET FOR 230 VOLTS WHEN SHIPPED.*

To change the motor to use 115 volts:

1. Turn off power
2. Remove the back motor cover.
3. Use a screwdriver or 1/2" wrench and turn the voltage selector dial counterclockwise until 115 shows in the dial opening.
4. Reinstall the motor cover.



Figure 5: Changing the Voltage Setting.



Figure 6: Motor Set for 115 Volt Operation.

** Models with power cords are pre-wired for 115 volts. This includes models MGP7C and MGP7D.*

ELECTRICAL

- ⚠ Ground motor before connecting to electrical power supply.**
- ⚠ Failure to ground motor can cause severe or fatal electrical shock hazard.**
- ⚠ Explosion hazard. Do not ground to a gas supply line.**
- ⚠ To avoid dangerous or fatal electrical shock, turn OFF power to motor before working on electrical connections.**
- ⚠ Supply voltage must be within $\pm 10\%$ of nameplate voltage. Incorrect voltage can cause fire or serious damage to motor and voids warranty. If in doubt consult a licensed electrician.**
- ⚠ Use wire size specified in Wiring Chart (Table II, Page 6). If possible, connect pump to a separate branch circuit with no other appliances on it.**
- ⚠ Wire motor according to diagram on motor nameplate. If nameplate diagram differs from diagrams above, follow nameplate diagram.**

For All 3-phase Motors: Follow the wiring diagram on the motor junction box or on the motor nameplate.

WIRING CONNECTIONS

1. Install, ground, wire and maintain this pump in compliance with the National Electrical Code (NEC) or the Canadian Electrical Code (CEC) and with all local codes and ordinances that apply. Consult your local building inspector for local information.
2. Make sure that the voltage, frequency and phase (single phase or three phase) of the power supply agree with that stamped on the motor nameplate. If in doubt, check with the power company.
3. Some models are equipped with three phase motors. Three phase motors require magnetic starters and can run in either direction, depending on how they are connected to the power supply.

NOTICE: Dual voltage motors without cords are factory wired for 230 volts. If necessary, reconnect the motor for 115 volts, as shown. All cord connected motors are wired for 115 volts (see Page 6). Do not alter the wiring in single voltage motors.

Install, ground, wire, and maintain your pump in compliance with the National Electrical Code (NEC) or the Canadian Electrical Code (CEC), as applicable, and with all local codes and ordinances that apply. Consult your local building inspector for code information.

NOTICE: Clamp the power cable to prevent strain on the terminal screws.

NOTICE: Your Motor Terminal Board (under the motor end cover) looks like the board shown at left. Do not change motor wiring if line voltage is 230 volts. Connect power supply as shown for your supply voltage.

To Check For Proper Rotation – 3 Phase Motors

▲WARNING Risk of electrical shock.

1. Be sure power is disconnected to motor when working on electrical connections.
2. Remove the motor end cover, exposing motor shaft. Momentarily start pump. If hookup is correct, the shaft will rotate clockwise.
3. If rotation is not clockwise, reverse any two leads to the starter. The rotation will now be correct.

GROUNDING THE MOTOR

Ground the pump permanently using a wire of size and type specified by local or National Electrical Code.

Models with a factory installed cord and plug:

▲WARNING Risk of electric shock. This equipment is only for use on 115V and is equipped with an approved 3-conductor cord and 3-prong, grounding-type plug. To reduce the risk of electric shock, be certain that it is connected to a properly grounded, grounding-type receptacle. Do not modify or remove the plug. Make sure the pump circuit meets the National Electrical Code. To avoid a dangerous electrical shock hazard, keep the cord dry at all times.

Models without a cord or plug:

1. Connect ground wire first. Connect the ground wire to the green grounding terminal provided under motor canopy (see Figure 5) identified as GRD. Make the ground connection to this terminal. **Do not** connect the motor to an electrical power supply until the unit is permanently grounded; otherwise a serious or fatal electrical shock hazard may be caused.
2. For the best ground connection, connect to a grounded lead in the service panel or to a metal underground water pipe or well casing at least 10 ft.

long. If a plastic pipe or insulated fittings are used, run the ground wire directly to the metal well casing or use a ground electrode furnished by the power company.

LUBRICATION

It is not necessary to lubricate the pump or the motor. The motor is equipped with sealed ball bearings, lubricated for the life of the bearing. The mechanical shaft seal in the pump is self-lubricating and requires no adjustment. Disassemble the pump to replace the seal (See “Maintenance”, Pages 7 and 8).

OPERATION

NOTICE: Observe the following precautions when operating the pump:

1. **Keep the motor dry! Do not** direct the stream from pump discharge onto the motor!
2. **▲WARNING Hazardous pressure. Do not** run the pump with the discharge shutoff, as the hose may burst or the pump may be damaged due to high temperatures.
3. **Do not** use a standard trigger gun with this pump. Use only trigger guns with an automatic weeping feature. These are available as accessories and are provided with three nozzles. The smallest nozzle restricts the flow, allowing use of a smaller water source. The two larger nozzles are used if the water source will supply the pump’s full capacity.
4. **Do not** run the pump dry; to do so may damage the seal.
5. To avoid internal damage to the pump, **Do not** operate with water at temperatures above 175 degrees F.

TABLE II - RECOMMENDED FUSING AND WIRING

For 115/230 volt, 1-phase and 230/460 volt, 3-phase. For 575 volt installations, consult a licensed electrician.

Motor H.P.	Volts/Phase	Max. Load Amps	Branch Fuse Rating Amps	Wire Length			
				0'-50'	51-100'	101-200'	201-300'
				Wire Size			
1/2	115/1	12.4	20	12	12	10	8
1/2	230/1	6.2	15	14	14	14	14
1/2	230/3	3.1	15	14	14	14	14
1/2	460/3	1.55	15	14	14	14	14
3/4	115/1	14.8	20	12	12	8	6
3/4	230/1	7.4	15	14	14	14	14
3/4	230/3	3.6	15	14	14	14	14
3/4	460/3	1.8	15	14	14	14	14
1	115/1	19.2	25	10	10	8	6
1	230/1	9.6	15	14	14	14	12
1	230/3	4.7	15	14	14	14	14
1	460/3	2.35	15	14	14	14	14
1-1/2	230/1	12.0	15	14	14	14	12
1-1/2	230/3	6.8	15	14	14	14	14
1-1/2	460/3	3.4	15	14	14	14	14
2	115/230/1	24.0/10.4	30/15	12/14	10/14	6/14	6/12
2	230/460/3	6.0/3.0	15	14	14	14	14
3	208-230/1	15.0	20	12	12	12	10
3	230/460/3	11.5/5.8	15/15	14/14	14/14	14/14	12/14

MAINTENANCE

Pump Disassembly

⚠ WARNING Hazardous voltage. Can shock, burn or cause death. Disconnect power to pump before servicing.

Tools required:

1. 7/16" open end wrench (2 required).
2. Flat blade screwdriver with insulated handle.
3. Work bench with vise recommended.
4. Pliers or similar tool.
5. Pipe wrench.

Impeller Stack Changeout (See Figure 7)

Remove pump from service and mount vertically in vise (if available) motor side down. Hold at center of motor. It may be desirable to wrap motor with a shop rag to protect outside surface.

Proceed as follows:

1. Attach pipe wrench to flats on discharge connection and turn clockwise to remove (left hand threads).
2. Remove screws holding motor canopy and remove canopy. Pull straight off as shown. Leave switch wires attached (if present).

⚠ WARNING Capacitor voltage may be hazardous. To discharge capacitor, hold insulated handle screwdriver **by the handle** and short capacitor term-

inals together. Do not touch metal screwdriver blade or capacitor terminals.

3. Unscrew overload and move it aside. Do not disconnect wires. Slide 7/16" open end wrench in behind spring loaded centrifugal switch as shown. Place on motor shaft flats to hold shaft stationary.
4. With one 7/16" wrench in place on motor shaft, place second wrench on shaft hex at pump end and unscrew impeller stack by turning counter-clockwise.
5. Once loose from motor shaft, hold shaft by snap ring using a pliers or similar tool, and pull stack from shell. You may have to apply a back and forth motion to break stack loose from shell.

To assemble with replacement impeller stack, keep pump in the vertical position, motor down, and reverse instructions 1 through 5.

Assembly hints:

- A. Apply a soapy water solution to suction and discharge O-Rings to ease seating of shell.
- B. Make sure mechanical shaft seal spring is in proper position on motor shaft.
- C. On three-phase models, apply Loctite No. 271 to motor shaft threads before reinstalling stack.

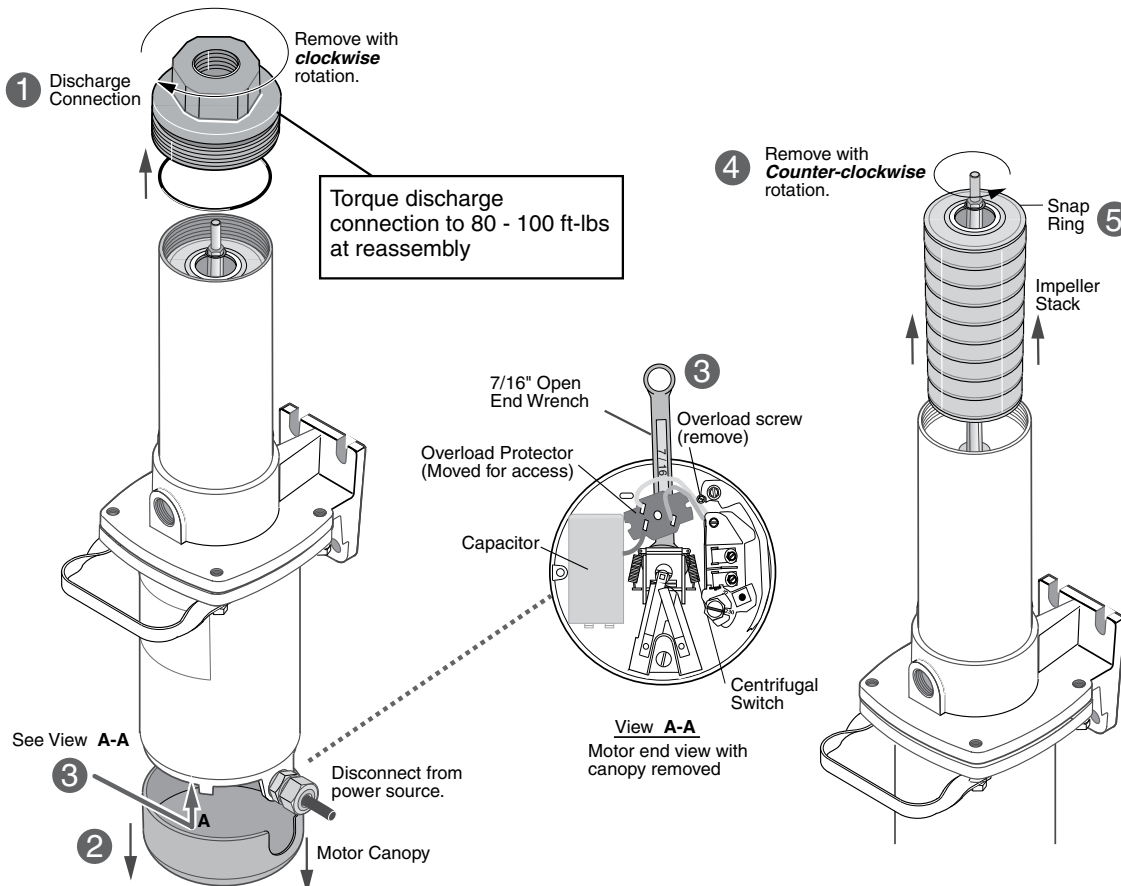


Figure 7 – Impeller stack changeout.

1211 0605

Mechanical Seal Changeout

(refer to Figures 7 and 8)

This procedure is best completed with the pump held in a vertical position, motor down.

First complete “**Disassembly**” instructions 1 through 5 under “**Impeller Stack Changeout.**” (see Figure 7).

6. Remove 4 capscrews holding pump body to motor. Pump handle will come off with top capscrews.
7. Unscrew pump shell from pump body, turning clockwise (left hand threads).
8. Remove mechanical shaft seal spring and rotating half from motor shaft. Use care not to scratch motor shaft when removing rotating half.
9. Remove pump body from motor and place on flat surface, face down. Again, use care not to scratch motor shaft.
10. Use a screwdriver to push ceramic seat out from seal cavity as shown.
11. Installation of ceramic seat:
 - A. Turn pump body over so seal cavity is up; clean cavity thoroughly.
 - B. Clean polished surface of ceramic seat with a clean cloth.
 - C. Lubricate outside rubber surface of seat with soapy water. Place cardboard washer over

polished face of seat and press into seal cavity using a 3/4" socket or a piece of 3/4" standard pipe.

- D. Be sure polished surface of seat is free of dirt and has not been damaged by insertion. Re-move excess soapy water. Dispose of cardboard washer.

12. Installation of rotating half and spring:

- A. Reinstall pump body on motor using extreme caution not to hit ceramic portion of seal on motor shaft. Reattach pump body to motor using capscrews. Be sure to reinstall pump handle at this time.
- B. Inspect shaft to make sure that it is clean.
- C. Clean face of rotating half of seal with a clean cloth.
- D. Lubricate inside diameter of rotating half with soapy water and slide onto motor shaft (sealing face first).
- E. Place spring over motor shaft so it rests on rotating half.

13. To complete reassembly from this point, reverse instructions 1 through 5 under “**Impeller Stack Changeout.**”

NOTICE: Lubricate suction and discharge O-Rings with soapy water for easier installation of shell.

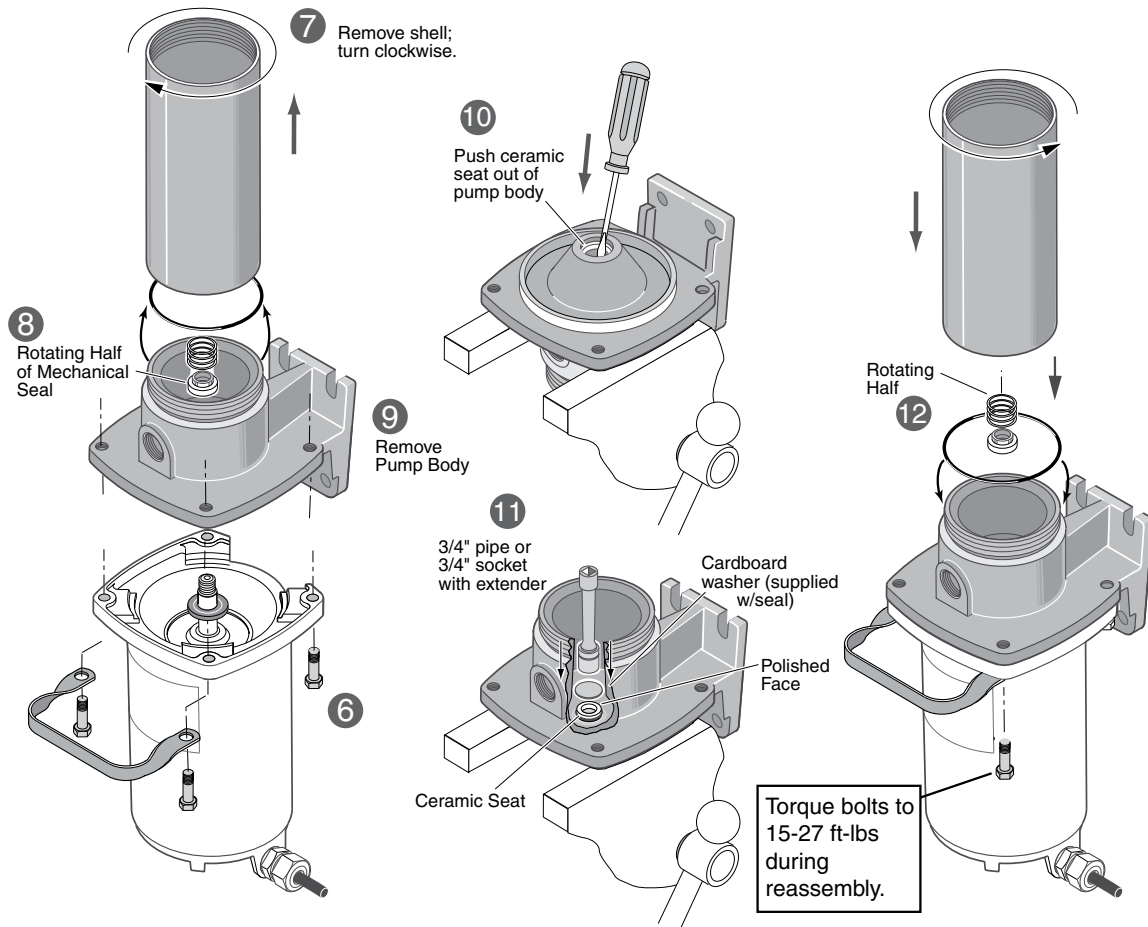
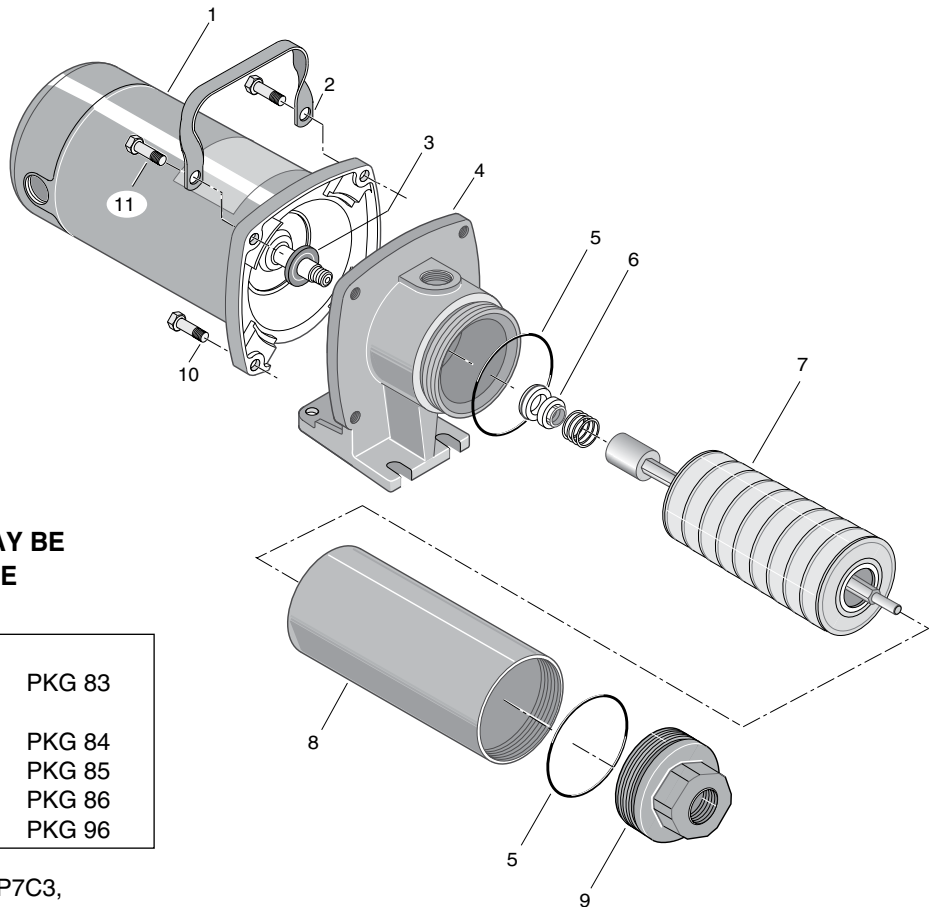


Figure 8 – Mechanical seal changeout.



THE FOLLOWING ACCESSORIES MAY BE ORDERED FOR THE HIGH PRESSURE BOOSTER PUMPS

Hose 6'-3/4" w/Female Ends (150 PSI Rating)	PKG 83
Hose 25'-3/4" w/Male & Female Ends (150 PSI Rating)	PKG 84
Adapter 3/4" NPT x 3/4" Hose	PKG 85
Nozzle - High Pressure	PKG 86
Suction Vacuum Relief Valve	PKG 96

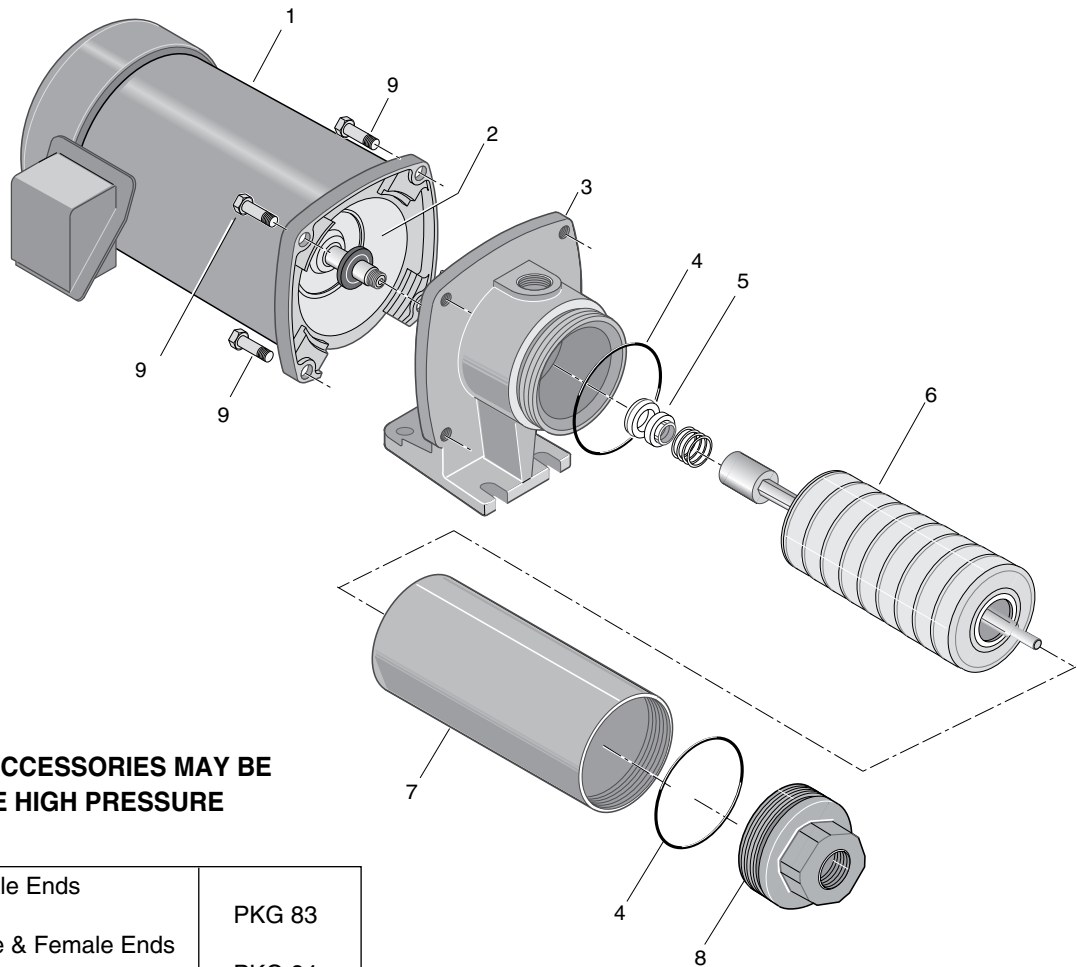
NOTE: Model numbers ending in "3" (MGP7C3, MGPS10C3, etc.) have 3-phase motors.

1206 0894 BE

REPAIR PARTS LIST

Key No.	Description	Qty.	MGP7C-02 MGP7C3-02 MGP10C-02 MGP10C3-02 1/2 HP	MGP7D-02 MGP7D3-02 MGP10D-02 MGP10D3-02 3/4 HP	MGP7E-02 MGP7E3-02 MGP10E-02 MGP10E3-02 MGP20E-02 MGP20E3-02 1 HP	MGP10F-02 MGP10F3-02 MGP20F-02 MGP20F3-02 1-1/2 HP	MGP10G-02 MGP10G3-02 MGP20G-02 MGP20G3-02 2 HP	MGP20H MGP20H3 3 HP
1	Motor - 115/230 Volt, Single Phase	1	J218-590PKG	J218-596PKG	J218-601PKG	J218-883APKG	J218-628APKG	-
1	Motor - 230 Volt, Single Phase	1	-	-	-	-	-	AE100HLL
1	Motor - 230/460 Volt, Three Phase	1	AP100CH	AP100DH	AP100EH	AP100EH	AP100FH	AP100HL
2	Handle (*)	1	C54-21	C54-21	C54-21	C54-21	C54-21	C54-21
3	Water Slinger	1	17351-0009	17351-0009	17351-0009	17351-0009	17351-0009	17351-0009
4	Pump Body	1	C2-85	C2-85	C2-85	C2-85	C2-85	-
4	Pump Body (20 GPM Models only)	1	-	-	C2-85A	C2-85A	C2-85A	C2-85A
5	O-Ring	2	U9-430	U9-430	U9-430	U9-430	U9-430	U9-430
6	Shaft Seal	1	U109-118	U109-118	U109-118	U109-118	U109-118	U109-118
7	Pump Stack (7 GPM)	1	P325-422R	P325-423R	P325-424R	-	-	-
7	Pump Stack(10 GPM)	1	P325-425R	P325-426R	P325-439R	P325-428R	P325-429R	-
7	Pump Stack(20 GPM)	1	-	-	P325-602R	P325-431R	P325-432R	P325-718R
8	Pump Shell(7 GPM)	1	P56-430SSL	P56-431SSL	P56-432SSL	-	-	-
8	Pump Shell(10 GPM)	1	P56-460SSL	P56-461SSL	P56-469SSL	P56-452SSL	P56-432SSL	-
8	Pump Shell(20 GPM)	1	-	-	P56-433SSL	P56-434SSL	P56-452SSL	P56-452SSL
9	Discharge Assembly	1	C152-3	C152-3	C152-3	C152-3	C152-3	-
9	Discharge Assembly (20 GPM Models)	1	-	-	C152-3A	C152-3A	C152-3A	C152-3A
10	Capscrew - 3/8 x 16 x 1-1/2"	4	U30-982ZP	U30-982ZP	U30-982ZP	U30-982ZP	U30-982ZP	U30-982ZP
	• Cord and Plug Assembly†	1	U17-402	U17-1238	-	-	-	-
	• Cord Connector†	1	U71-7	U71-7	-	-	-	-

(*) The Handle (Key No. 2) comes with the 7 and 20 GPM pumps only.
 • Not Illustrated
 † MGP7C-02 and MGP7D-02 Only.



1206 0605 BE 575T

THE FOLLOWING ACCESSORIES MAY BE ORDERED FOR THE HIGH PRESSURE BOOSTER PUMPS

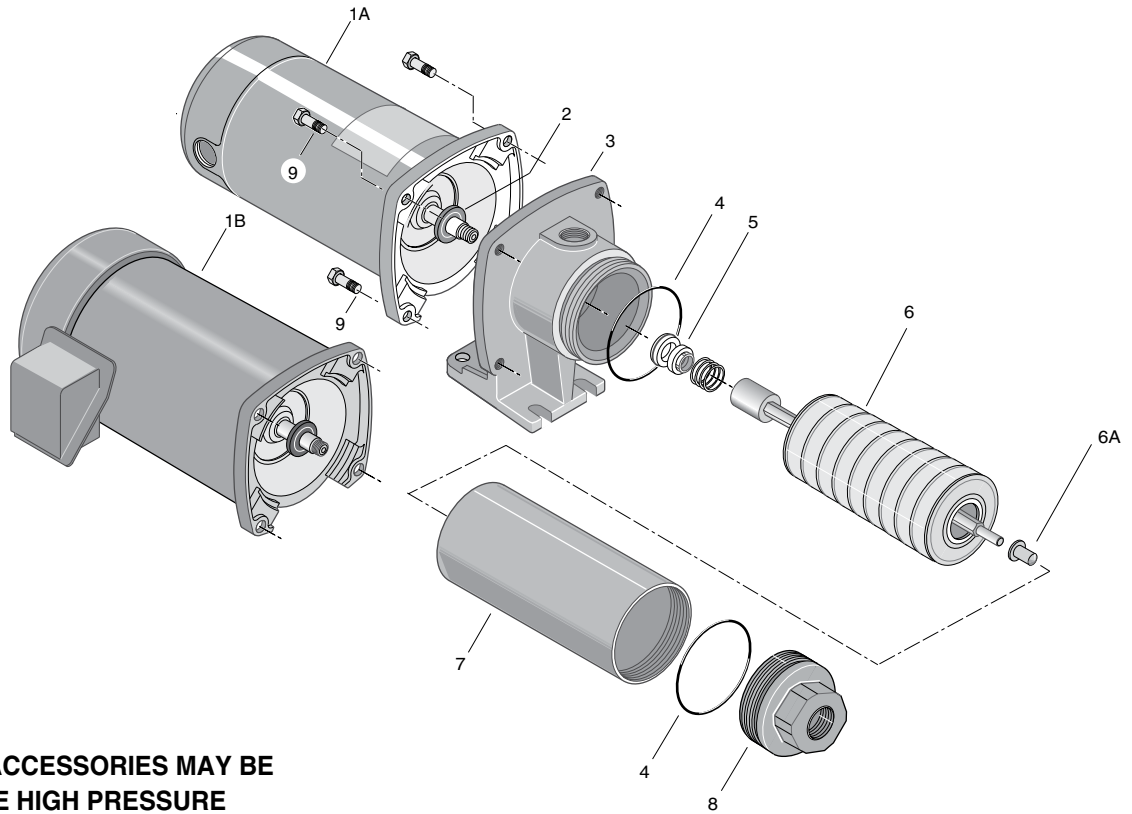
Hose 6'-3/4" w/Female Ends (150 PSI Rating)	PKG 83
Hose 25'-3/4" w/Male & Female Ends (150 PSI Rating)	PKG 84
Adapter 3/4" NPT x 3/4" Hose	PKG 85
Nozzle - High Pressure	PKG 86
Suction Vacuum Relief Valve	PKG 96

NOTE: Model numbers ending in "3" (MGP7C3, MGPS10C3, etc.) have 3-phase motors.

REPAIR PARTS LIST

Key No.	Description	Qty.	MGP7C3-575T MGP10C3-575T 1/2 HP	MGP7D3-575T MGP10D3-575T 3/4 HP	MGP7E3-575T MGP10E3-575T MGP20E3-575T 1 HP	MGP10F3-575T MGP20F3-575T 1-1/2 HP	MGP10G3-575T MGP20G3-575T 2 HP
1	Motor - 575 Volt, TEFC, Three Phase	1	J218-996A	J218-997A	J218-998A	J218-999A	J218-1000A
2	Water Slinger	1	17351-0009	17351-0009	17351-0009	17351-0009	17351-0009
3	Pump Body	1	C2-85	C2-85	C2-85	C2-85	C2-85
4	O-Ring	2	U9-430	U9-430	U9-430	U9-430	U9-430
5	Shaft Seal	1	U109-118	U109-118	U109-118	U109-118	U109-118
6	Pump Stack 7 GPM	1	P325-422R	P325-423R	P325-424R	-	-
6	Pump Stack 10 GPM	1	P325-425R	P325-426R	P325-439R	P325-428R	P325-429R
6	Pump Stack 20 GPM	1	-	-	P325-602R	P325-431R	P325-432R
7	Pump Shell 7 GPM	1	P56-430SSL	P56-431SSL	P56-432SSL	-	-
7	Pump Shell 10 GPM	1	P56-460SSL	P56-461SSL	P56-469SSL	P56-452SSL	P56-432SSL
7	Pump Shell 20 GPM	1	-	-	P56-433SSL	P56-434SSL	P56-452SSL
8	Discharge Assembly	1	C152-3	C152-3	C152-3	C152-3	C152-3
8	Discharge Assembly (20 GPM Models only.)	1	-	-	C152-3A	C152-3A	C152-3A
9	Capscrew - 3/8 x 16 x 1-1/4"(†)	4	U30-104ZP	-	U30-104ZP	-	U30-104ZP
9	Capscrew - 3/8 x 16 x 1-1/2"(†)	4	-	U30-982ZP	-	U30-982ZP	-

(†) 20 GPM Models use 2 of Key No. 9 and 2 of Key No. 10. All other models use 4 of Key No. 9.



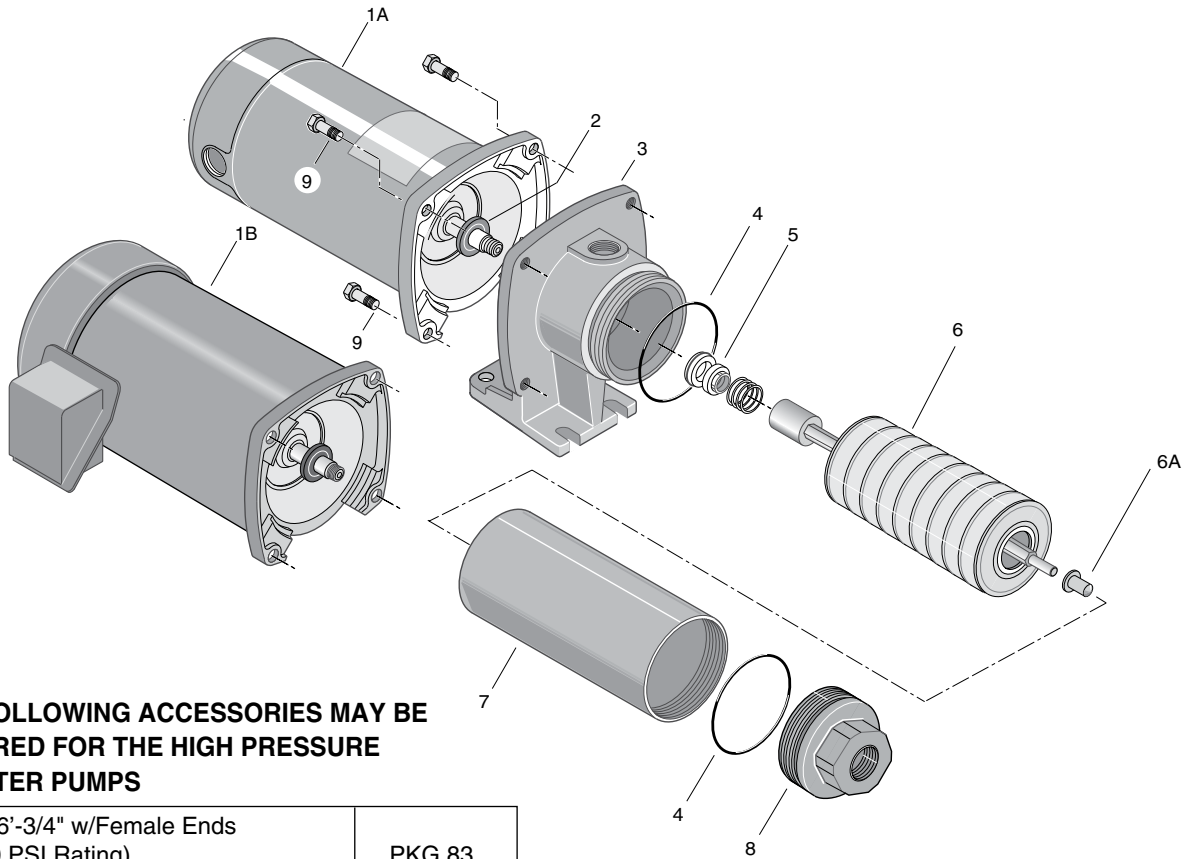
THE FOLLOWING ACCESSORIES MAY BE ORDERED FOR THE HIGH PRESSURE BOOSTER PUMPS

Hose 6'-3/4" w/Female Ends (150 PSI Rating)	PKG 83
Hose 25'-3/4" w/Male & Female Ends (150 PSI Rating)	PKG 84
Adapter 3/4" NPT x 3/4" Hose	PKG 85
Nozzle - High Pressure	PKG 86
Suction Vacuum Relief Valve	PKG 96

NOTE: The "S" in the Model Number indicates a stainless steel pump body, a stainless steel discharge assembly and stainless steel capscrews. Model numbers ending in "3" (MGP7C3, MGPS10C3, etc.) have 3-phase motors.

REPAIR PARTS LIST

Key No.	Description	Qty.	MGPS7C MGPS7C3 MGPS7C3-575T MGPS10C MGPS10C3 MGPS10C3-575T 1/2 HP	MGPS7D MGPS7D3 MGPS7D3-575T MGPS10D MGPS10D3 MGPS10D3-575T 3/4 HP	MGPS7E MGPS7E3 MGPS7E3-575T MGPS10E MGPS10E3 MGPS10E3-575T 1 HP	MGPS10F MGPS10F3 MGPS10F3-575T 1-1/2 HP	MGPS10G MGPS10G3 MGPS10G3-575T 2 HP
1A	Motor - 115/230 Volt, 1 Phase	1	J218-590PKG	J218-596PKG	J218-601PKG	J218-883APKG	J218-628APKG
1A	Motor - 230/460 Volt, 3 Phase	1	AP100CH	AP100DL2L	AP100EH	AP100FH	AP100GH
1B	Motor - 575 Volt TEFC, 3 Phase	1	J218-996AC	J218-997AC	J218-998AC	J218-999AC	J218-1000AC
2	Water Slinger	1	17351-0009	17351-0009	17351-0009	17351-0009	17351-0009
3	Pump Body	1	C2-86SS	C2-86SS	C2-86SS	C2-86SS	C2-86SS
4	O-Ring	2	U9-430	U9-430	U9-430	U9-430	U9-430
5	Shaft Seal Assembly	1	U109-118	U109-118	U109-118	U109-118	U109-118
6	Pump Stack (7 GPM)	1	P325-422R	P325-423R	P325-424R	-	-
6	Pump Stack (10 GPM)	1	P325-425R	P325-426R	P325-439R	P325-428R	P325-429R
6A	Nylatron Bearing (Included with Key No. 8)	1	W31112	W31112	W31112	W31112	W31112
7	Pump Shell (7 GPM)	1	P56-430SSL	P56-431SSL	P56-432SSL	-	-
7	Pump Shell (10 GPM)	1	P56-460SSL	P56-461SSL	P56-469SSL	P56-452SSL	P56-432SSL
8	Discharge Assembly	1	C152-4	C152-4	C152-4	C152-4	C152-4
9	Capscrew - 3/8 x 16 x 1-1/2", S.S.	4	S25983	S25983	S25983	S25983	S25983



THE FOLLOWING ACCESSORIES MAY BE ORDERED FOR THE HIGH PRESSURE BOOSTER PUMPS

Hose 6'-3/4" w/Female Ends (150 PSI Rating)	PKG 83
Hose 25'-3/4" w/Male & Female Ends (150 PSI Rating)	PKG 84
Adapter 3/4" NPT x 3/4" Hose	PKG 85
Nozzle - High Pressure	PKG 86
Suction Vacuum Relief Valve	PKG 96

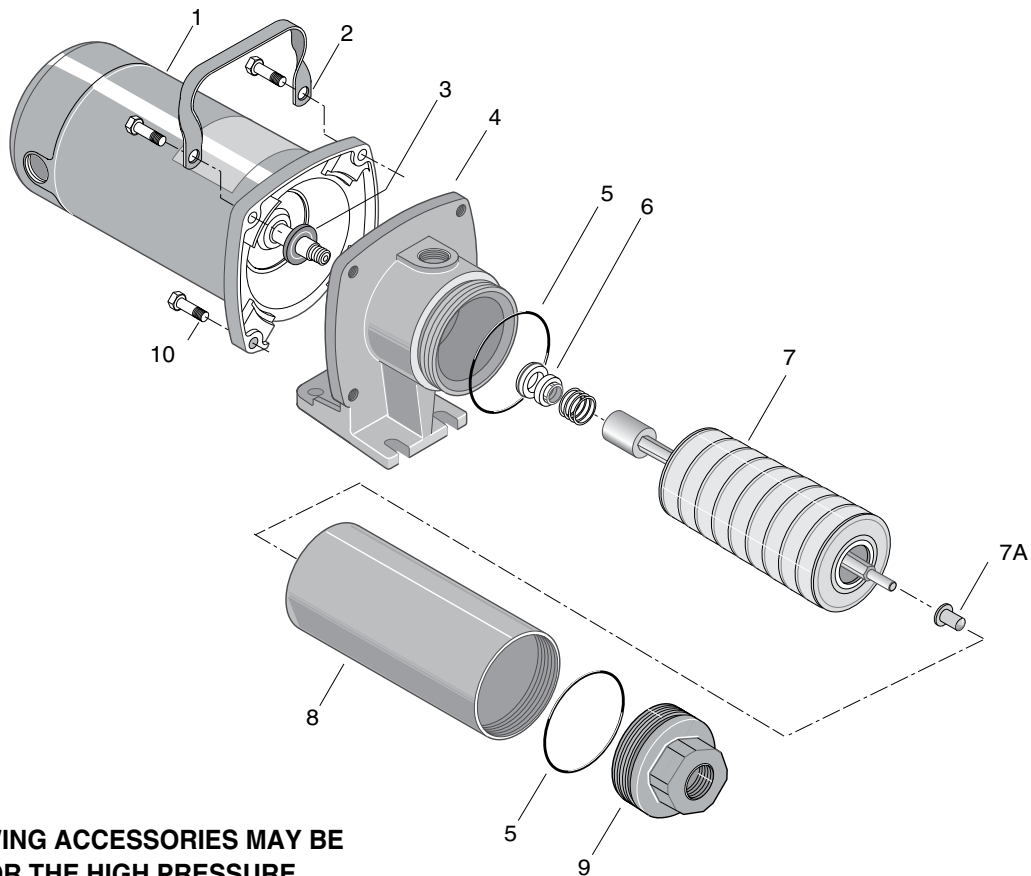
NOTE: The "S" in the Model Number indicates a stainless steel pump body, a stainless steel discharge assembly and stainless steel capscrews. Model numbers ending in "3" (MGP7C3, MGPS10C3, etc.) have 3-phase motors.

REPAIR PARTS LIST

Key No.	Description	Qty.	MGPS20E MGPS20E3 MGPS20E3-575T 1 HP	MGPS20F MGPS20F3 MGPS20F3-575T 1-1/2 HP	MGPS20G MGPS20G3 MGPS20G3-575T 2 HP	MGPS20H MGPS20H3 3 HP
1A	Motor - 115/230 Volt, 1 Phase	1	J218-601PKG	J218-883APKG	J218-628APKG	-
1A	Motor - 230 Volt, 1 Phase	1	-	-	-	AE100HLL
1A	Motor - 230/460 Volt, 3 Phase	1	AP100EH	AP100FH	AP100GH	AP100HL
1B	Motor - 575 Volt, 3 Phase	1	J218-998AC	J218-999AC	J218-1000AC	-
2	Water Slinger	1	17351-0009	17351-0009	17351-0009	17351-0009
3	Pump Body	1	C2-86SSA	C2-86SSA	C2-86SSA	C2-86SSA
4	O-Ring	2	U9-430	U9-430	U9-430	U9-430
5	Shaft Seal Assembly	1	U109-118	U109-118	U109-118	U109-118
6	Pump Stack*	1	P325-602R	P325-431R	P325-432R	P325-718R
6A	Nylatron Bearing (Included with Key No. 8)	1	W31112	W31112	W31112	W31112
7	Pump Shell	1	P56-470SSL	P56-434SSL	P56-452SSL	P56-620SSL
7	Pump Shell (MGPS20E3-575 only)	1	P56-433SSL	-	-	-
8	Discharge Assembly	1	C152-4A	C152-4A	C152-4A	-
9	Capscrew - 3/8 x 16 x 1-1/4"	2	U30-75ZP	U30-75ZP	U30-75ZP	-
9	Capscrew - 3/8 x 16 x 1-1/2***	2	U30-76ZP	U30-76ZP	U30-76ZP	U30-982ZP
9	Capscrew - 3/8 x 16 x 1-1/4", S.S. (Models MGPS20E, F and F3)	4	U30-75SS	U30-75SS	-	-
9	Capscrew - 3/8 x 16 x 1-1/4", SHCS (Models with -575T suffix)	4	S25983	S25983	S25983	-

* Model MGPS20E uses Part No. P325-440R.

** 3 HP models use (4) 1-1/2" capscrews.



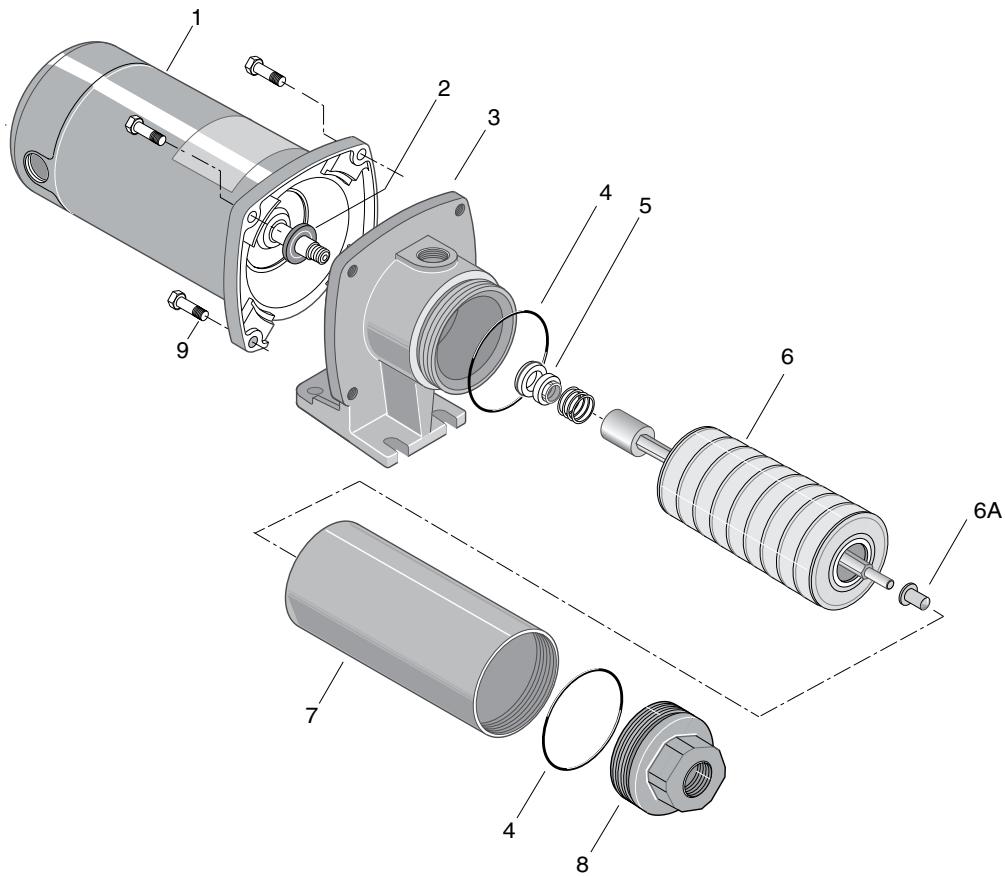
THE FOLLOWING ACCESSORIES MAY BE ORDERED FOR THE HIGH PRESSURE BOOSTER PUMPS

Hose 6'-3/4" w/Female Ends (150 PSI Rating)	PKG 83
Hose 25'-3/4" w/Male & Female Ends (150 PSI Rating)	PKG 84
Adapter 3/4" NPT x 3/4" Hose	PKG 85
Nozzle - High Pressure	PKG 86
Suction Vacuum Relief Valve	PKG 96

NOTE: Model numbers ending in "3" (MGP7C3, MGPS10C3, etc.) have 3-phase motors.

REPAIR PARTS LIST

Key No.	Description	Qty.	MGP30E MGP30E3 1 HP	MGP30F MGP30F3 1-1/2 HP	MGP30G MGP30G3 2 HP	MGP30H MGP30H3 3 HP
1	Motor - 115/230 Volt, 1 Phase	1	J218-601PKG	J218-883APKG	J218-628APKG	-
1	Motor - 230 Volt, 1 Phase	1	-	-	A100GSL	AE100HLL
1	Motor - 230/460 Volt, 3 Phase	1	AP100EH	AP100FH	AP100GH	AP100HL
2	Handle	1	C54-21	C54-21	C54-21	C54-21
3	Water Slinger	1	17351-0009	17351-0009	17351-0009	17351-0009
4	Pump Body	1	C2-85B	C2-85B	C2-85B	C2-85B
5	O-Ring	2	U9-430	U9-430	U9-430	U9-430
6	Shaft Seal Assembly	1	U109-118	U109-118	U109-118	U109-118
7	Pump Stack	1	P325-719R	P325-720R	P325-721R	P325-722
7A	Nylatron Bearing (included with Key No. 9)	1	W31112	W31112	W31112	W31112
8	Pump Shell	1	P56-621SSL	P56-622SSL	P56-434SSL	P56-615SSL
9	Discharge Assembly	1	C152-3B	C152-3B	C152-3B	C152-3B
10	Capscrew - 3/8 x 16 x 1-1/2"	4	U30-982ZP	U30-982ZP	U30-982ZP	U30-982ZP



THE FOLLOWING ACCESSORIES MAY BE ORDERED FOR THE HIGH PRESSURE BOOSTER PUMPS

Hose 6'-3/4" w/Female Ends (150 PSI Rating)	PKG 83
Hose 25'-3/4" w/Male & Female Ends (150 PSI Rating)	PKG 84
Adapter 3/4" NPT x 3/4" Hose	PKG 85
Nozzle - High Pressure	PKG 86
Suction Vacuum Relief Valve	PKG 96

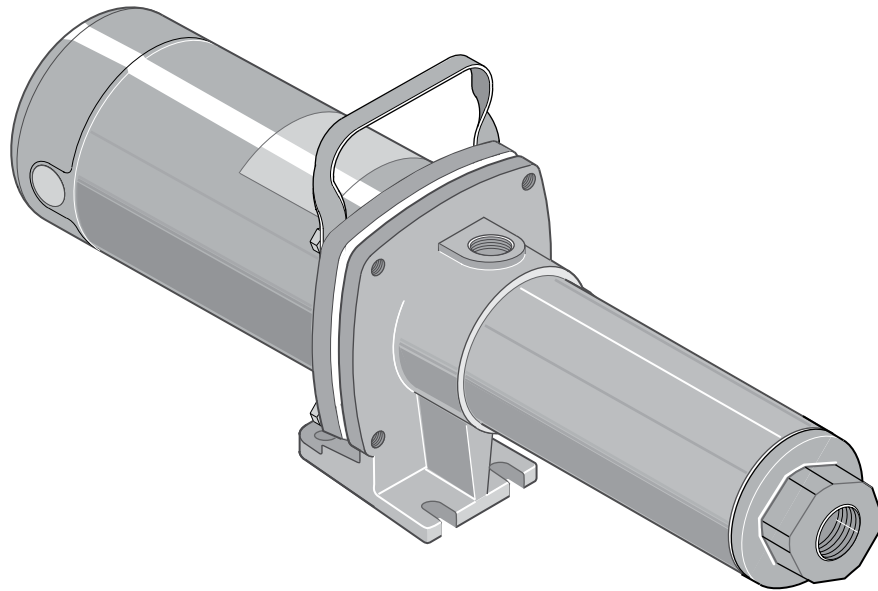
NOTE: The "S" in the Model Number indicates a stainless steel pump body, a stainless steel discharge assembly and stainless steel capscrews. Model numbers ending in "3" (MGP7C3, MGPS10C3, etc.) have 3-phase motors.

REPAIR PARTS LIST

Key No.	Description	Qty.	MGPS30E MGPS30E3 1HP	MGPS30F MGPS30F3 1-1/2 HP	MGPS30G MGPS30G3 2 HP	MGPS30H MGPS30H3 3 HP
1	Motor - 115/230 Volt, 1 Phase	1	J218-601PKG	J218-883APKG	J218-628APKG	-
1	Motor - 230 Volt, 1 Phase	1	-	-	A100GSL	AE100HLL
1	Motor - 230/460 Volt, 3 Phase	1	AP100EH	AP100FH	AP100GH	AP100H
2	Water Slinger	1	17351-0009	17351-0009	17351-0009	17351-0009
3	Pump Body	1	C2-86SSB	C2-86SSB	C2-86SSB	C2-86SSB
4	O-Ring	2	U9-430	U9-430	U9-430	U9-430
5	Shaft Seal Assembly	1	U109-118	U109-118	U109-118	U109-118
6	Pump Stack	1	P325-719R	P325-720R	P325-721R	P325-722R
6A	Nylatron Bearing (included with Key No. 9)	1	W31112	W31112	W31112	W31112
7	Pump Shell	1	P56-621SSL	P56-622SSL	P56-434SSL	P56-615SSL
8	Discharge Assembly	1	C152-4B	C152-4B	C152-4B	C152-4B
9	Capscrew 3/8 x 16 x 1-1/2"	4	S25983	S25983	S25983	S25983

BERKELEY®

INSTRUCTIONS D'INSTALLATION ET DE FONCTIONNEMENT
LISTE DES PIÈCES DE RECHANGE



LIRE TOUTES CES INSTRUCTIONS DE SÉCURITÉ ET LES SUIVRE!



DANGER

AVERTISSEMENT

ATTENTION

SÉCURITÉ CONCERNANT L'ÉLECTRICITÉ

WARNING



Tension dangereuse.
Risque de secousses électriques, de brûlures, voire de mort.

Mettre la pompe à la terre avant de la brancher sur le courant électrique.

! Certains modèles de pompes sont livrés avec un cordon électrique muni d'une fiche à 3 broches dont une de mise à la terre. Ne brancher la fiche de ces cordons électriques que dans une prise de courant adéquatement mise à la terre et protégée par un disjoncteur de fuite à la terre. Ne pas lever la pompe par le cordon électrique.

! Cette pompe ne doit pas être immergée. Le moteur doit toujours être gardé sec. Il ne doit pas être lavé, immergé et il doit être protégé de la pluie.

! Si l'on doit utiliser un cordon prolongateur, n'utiliser qu'un cordon prolongateur approuvé UL à trois fils dont un de mise à la terre pour utilisation intérieure/extérieure. Ne permettre à aucune pièce du cordon prolongateur ou à aucune de ses fiches de reposer dans l'eau ou de venir en contact avec des endroits humides.

! Avant d'intervenir sur la pompe, toujours la débrancher.

ATTENTION Danger de brûlures. Ne pas toucher le moteur pendant qu'il fonctionne. Les moteurs modernes peuvent fonctionner par des températures élevées. Pour ne pas se brûler lorsque l'on intervient sur la pompe, la laisser refroidir pendant 20 minutes après l'avoir arrêtée et avant de la toucher.

Pour procéder à l'installation, respecter les codes municipaux et/ou le code national de l'électricité et de la plomberie.

AVERTISSEMENT Pression dangereuse. NE PAS faire fonctionner la pompe si le robinet de refoulement est fermé, sinon le tuyau risque d'éclater et la pompe risque d'être endommagée suite à des températures élevées.

Avertissement lié à la Proposition 65 de la Californie

AVERTISSEMENT Ce produit et les accessoires connexes contiennent des produits chimiques reconnus dans l'État de la Californie comme pouvant provoquer des cancers, des anomalies congénitales ou d'autres dangers relatifs à la reproduction.

! Ce symbole indique qu'il faut être prudent. Lorsque ce symbole apparaît sur la pompe ou dans cette Notice, rechercher une des mises en garde qui suivent, car elles indiquent un potentiel possible de blessures corporelles :

DANGER avertit d'un danger qui causera des blessures corporelles, la mort ou des dommages matériels importants si on l'ignore.

AVERTISSEMENT avertit d'un danger qui risque de causer des blessures corporelles, la mort ou des dommages matériels importants si on l'ignore.

ATTENTION avertit d'un danger qui causera ou qui risquera de causer des blessures corporelles, la mort ou des dommages matériels importants si on l'ignore.

Le mot **NOTA** indique des instructions spéciales et importantes n'ayant aucun rapport avec les dangers.

SÉCURITÉ GÉNÉRALE

Pour éviter les risques de graves blessures corporelles et de graves dommages matériels, lire attentivement ces instructions de sécurité avant de procéder à l'installation de la pompe.

Ne pas laisser geler la pompe ni aucun autre élément du système, sinon la garantie sera annulée.

AVERTISSEMENT Risque de secousses électriques. Pour éviter des secousses électriques mortelles lorsque l'on intervient sur la pompe, procéder comme suit :

- Couper l'arrivée de courant à la prise de courant sur laquelle la pompe est branchée avant de débrancher le cordon électrique de la pompe. Après avoir débranché le cordon électrique et avant d'intervenir sur la pompe, la laisser refroidir pendant 20 minutes.
- Il faut être extrêmement prudent lorsque l'on remplace des fusibles. Pour réduire les possibilités de secousses électriques mortelles, NE PAS se tenir dans l'eau et ne pas mettre les doigts dans la douille du fusible.
- Mettre à la terre la prise de courant.
- Ne brancher le cordon électrique que dans une prise de courant mise à la terre et protégée par un disjoncteur de fuite à la terre.

Ne jamais faire fonctionner la pompe à sec, sinon ses pièces internes pourront être endommagées, la pompe pourra surchauffer (ce qui risque de causer des brûlures lorsqu'elle sera manipulée ou lorsque l'on interviendra dessus), ce qui annulera la garantie!

Ne pas pomper de produits chimiques ni de liquides corrosifs avec cette pompe.

AVERTISSEMENT Pression dangereuse.

- N'utiliser QU'UN tuyau de refoulement pour haute pression du type renforcé. Se reporter à la liste des pièces de rechange pour connaître les tuyaux souples, les ajutages et les raccords disponibles. L'utilisation d'une soupape de sûreté haute pression est recommandée.
- NE PAS utiliser de tuyau d'arrosage avec cette pompe relais haute pression! Un tuyau d'arrosage ne résistera pas à la pression de refoulement produite et il éclatera!
- Le jet de refoulement sous haute pression est dangereux! Pour ne pas se blesser, NE PAS diriger le jet de refoulement vers une personne ou un animal.
- S'ASSURER que la pression du tuyau d'aspiration de la pompe plus la pression de refoulement de la pompe ne dépassent pas la pression nominale du tuyau souple et des raccords! Se reporter au Tableau 1 pour connaître les pressions de refoulement de la pompe.

INSPECTION DE L'EXPÉDITION

Cette pompe relais haute pression a été attentivement inspectée et emballée pour s'assurer qu'elle sera reçue en bon état. Inspecter la pompe et ses raccords et rapporter au transporteur tout élément endommagé ou manquant.

INSTALLATION

Cette pompe est conçue pour relever la pression d'eau de la ville ou la pression de n'importe quel système d'eau privé. Utiliser cette pompe relais haute pression pour laver les salles de traite, les granges, les garages et les allées ou en tant que protection contre l'incendie.

Cette pompe est portable et est munie d'une poignée pratique. Si elle est utilisée sur un système d'alimentation d'eau sous pression existant, on pourra la brancher avec les raccords disponibles, puis brancher un tuyau souple haute pression de 3/4 de pouce ou de 1 pouce sur l'admission de la pompe. Un tuyau d'aspiration spécial ultra-robuste de 3/4 de pouce ou de 1 pouce, ainsi que des raccords, sont disponibles en tant qu'accessoires. Si la pompe est montée en permanence sur un mur, utiliser un tuyau rigide de 3/4 de pouce ou de 1 pouce ou un tuyau souple ultra-robuste en tant que conduite d'aspiration. Sur les modèles débitant 78 L/min, un tuyau de refoulement d'un pouce doit être utilisé pour réduire les pertes de charge dues au frottement.

TABLEAU I - PRESSIONS DE REFOULEMENT

L/min.	ch	Débit Nbre d'étages	Pression de refoulement en kPa au débit nominal	Pression de refoulement en kPa lorsqu'il n'y a pas de débit
7	1/2	9	90	130
7	3/4	12	123	173
7	1	16	162	229
10	1/2	6	74	113
10	3/4	8	97	147
10	1	10	134	188
10	1	11	146	202
10	1-1/2	14	173	206
10	2	16	197	260
20	1	7	75	110
20	1-1/2	9	97	143
20	2	11	123	175
20	3	15	195	250
30	1	5	59	75
30	1-1/2	6	71	91
30	2	7	81	106
30	3	11	129	167

Pour connaître la pression de refoulement totale, ajouter cette pression à la pression du tuyau d'aspiration. Par exemple, une pompe MGP7C prenant son aspiration à partir d'une conduite de service d'eau de 100 lb/po² produira une pression de refoulement totale de 130 + 100 = 230 lb/po² à un débit de 0 gal/min. Si la pression de l'aspiration chute à 50 lb/po², la pression du refoulement chutera à 180 lb/po².

Garantie limitée

BERKELEY garantit au consommateur initial (ci-après appelé l'« Acheteur ») que les produits énumérés dans les présentes sont exempts de défaut de matériau et de fabrication pendant la durée des garanties à compter de la durée des garanties indiquées ci-dessous.

Produits	Durée des garanties
Systèmes d'eau :	
Produits de systèmes d'eau — Pompes à éjecteur, petites pompes centrifuges, pompes submersibles et tous les accessoires connexes	Selon le premier terme atteint : 12 mois à compter de la date de la première installation ou 18 mois à compter de la date de fabrication
Réservoirs composites Pro-Source™	5 ans à compter de la date de la première installation
Réservoirs sous pression en acier Pro-Source™	5 ans à compter de la date de la première installation
Réservoirs revêtus d'époxyde Pro-Source™	3 ans à compter de la date de la première installation
Produits de puisard/d'égout/d'effluents	12 mois à compter de la date de la première installation ou 18 mois à compter de la date de fabrication
Agricole/commercial :	
Centrifuges – entraînement par moteur monobloc, monté sur cadre, monté sur SAE, entraînement par moteur à combustion, multiétagé vertical, SSCX, SSHM, pompes pour les matières solides, pompes submersibles pour les matières solides	12 mois à compter de la date de la première installation ou 24 mois à compter de la date de fabrication
Turbines submersibles, diamètre de 6 po et plus grand	12 mois à compter de la date de la première installation ou 24 mois à compter de la date de fabrication

Nos garanties limitée ne s'appliquent pas aux produits ayant fait l'objet de négligence, d'une mauvaise utilisation, d'une mauvaise installation ou d'un manque d'entretien adéquat. Sans aucune limitation des présentes, la garantie des moteurs triphasés submersibles sera nulle et non avenue si ces moteurs sont branchés et fonctionnent sur le courant monophasé par l'intermédiaire d'un déphaseur. Il faut également noter que les moteurs triphasés doivent être protégés par un relais de surcharge tripolaire thermocompensé à déclenchement extrêmement rapide du calibre recommandé, sinon la garantie sera nulle et non avenue.

Le seul recours de l'Acheteur et la seule responsabilité de BERKELEY consistent à réparer ou à remplacer (au choix de BERKELEY) les produits qui se révéleraient défectueux. L'Acheteur s'engage à payer tous les frais de main d'œuvre et d'expédition du produit couvert par sa garantie et de s'adresser au concessionnaire-installateur ayant procédé à l'installation dès qu'un problème est découvert pour obtenir un service sous garantie. Aucune demande de service en vertu de sa garantie ne sera acceptée après expiration de la durée de sa garantie. Ces garanties ne sont pas transférables.

BERKELEY DÉCLINE TOUTE RESPONSABILITÉ POUR TOUT DOMMAGE INDIRECT OU FORTUIT QUEL QU'IL SOIT.

LA GARANTIE LIMITÉE SUSMENTIONNÉE EST EXCLUSIVE ET REMPLACE TOUTES LES AUTRES GARANTIES EXPRESSES ET TACITES, Y COMPRIS, MAIS SANS S'Y LIMITER, LES GARANTIES DE QUALITÉ MARCHANDE ET D'ADAPTATION À UN USAGE PARTICULIER. LA GARANTIE LIMITÉE SUSMENTIONNÉE NE DOIT PAS ÊTRE PROLONGÉE AU-DELÀ DE LA DURÉE PRÉVUE AUX PRÉSENTES.

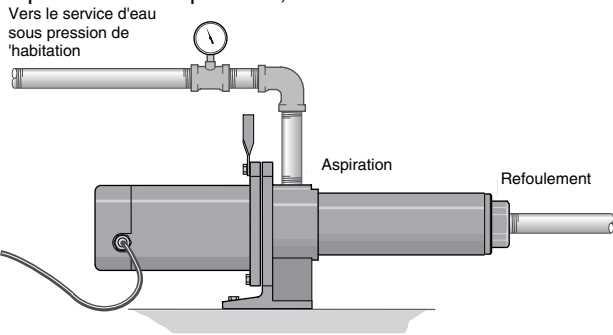
Certains états, territoires et certaines provinces ne permettent pas l'exclusion ou la limitation des dommages indirects ou fortuits, ni les limitations relatives à la durée des garanties tacites. Par conséquent, il se peut que les limitations ou les exclusions stipulées dans les présentes ne s'appliquent pas dans ce cas. Ces garanties accordent des droits juridiques précis, bien que l'on puisse bénéficier d'autres droits, selon la province, le territoire ou l'état dans lequel on réside.

La présente garantie limitée est entrée en vigueur le 1er juin 2011 et remplace toute garantie non datée ou antérieure à cette date.

Aux États-Unis : BERKELEY, 293 Wright St., Delavan, WI 53115
Au Canada : 269 Trillium Dr., Kitchener, Ontario N2G 4W5

INSTRUCTIONS D'INSTALLATION DE LA POMPE RELAIS HAUTE PRESSION

Ces instructions traitent des différentes installations de la pompe relais haute pression, comme il est illustré ci-dessous :



1208 0894

Figure 1 – Branchement sur le service d'eau de l'habitation.

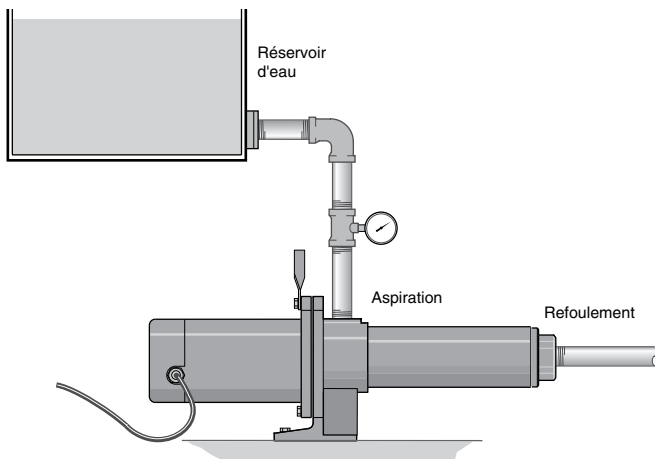


Figure 2 – Branchement sur un réservoir d'eau.

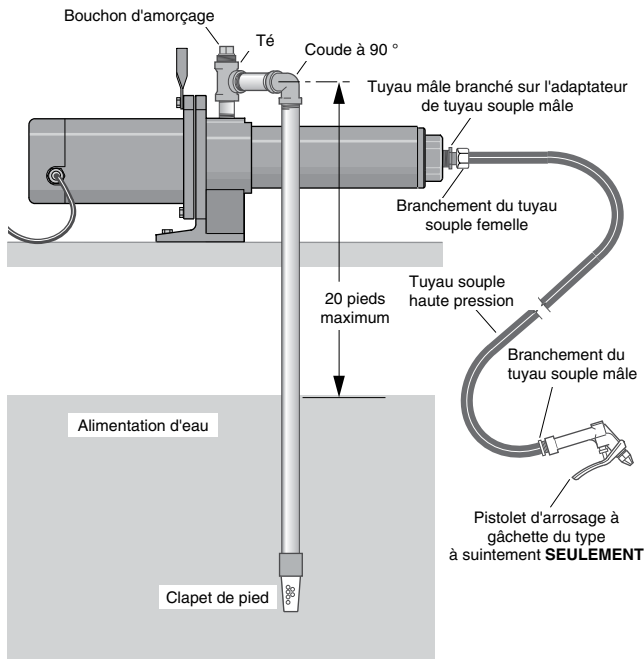
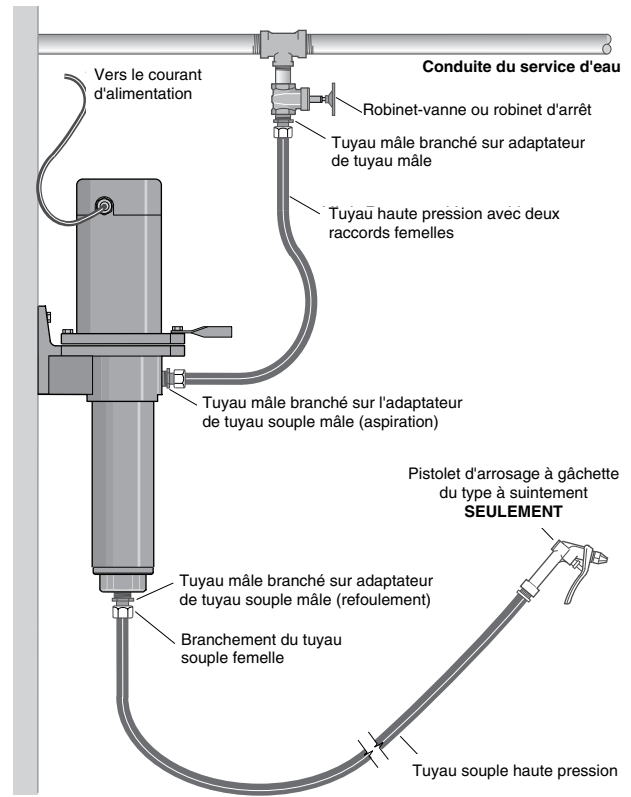


Figure 3 – Branchement sur une citerne ou sur un puits peu profond.



1209 0894

Figure 4 – Pompe installée au mur pour relever la pression de la conduite du service d'eau.

Pour réduire au minimum les pertes de charge dues au frottement, la conduite d'admission (d'aspiration) doit être **courte** et comporter aussi peu de coudes que possible.

Déterminer le diamètre de l'admission conformément au tableau ci-dessous :

Débit moy. en L/min	Diamètre de l'admission fileté	Diamètre recommandé de la conduite d'admission	Diamètre recommandé de la conduite de refoulement
27	3/4 de po NPT	1 po	1 po
39	3/4 de po NPT	1 po	1 po
78	1 de po NPT	1 1/4 po	1 1/4 po
114	1 1/4 de po NPT	1 1/2 po	1 1/2 po

Une crépine branchée sur l'admission empêchera les débris en suspension dans l'eau de boucher la pompe.

Les surfaces internes de fonctionnement de la pompe ainsi que son joint d'étanchéité doivent être lubrifiés par l'eau pour bien fonctionner. **Laisser la pompe fonctionner à sec endommagera sérieusement la pompe et son joint d'étanchéité.**

Brancher un manomètre sur la conduite d'admission de la pompe. Pendant que la pompe fonctionne, la pression de la conduite d'admission doit être maintenue au minimum à 14 kPa. Si cela n'est pas possible, consulter le représentant du service à la clientèle.

⚠ Couper le courant électrique avant d'intervenir sur la pompe, le moteur, le manostat ou le câblage.

À L'EXPÉDITION, LE MOTEUR EST RÉGLÉ POUR FONCTIONNER SUR LE 230 VOLTS*

Pour remplacer le moteur pour qu'il fonctionne sur le 115 volts :

1. Coupez le courant.
2. Enlevez le couvercle d'extrémité du moteur.
3. Utiliser un tournevis ou une clé de 1/2 pouce et tourner le cadran du sélecteur de tension vers la gauche jusqu'à ce que la valeur 115 soit affichée dans l'ouverture du cadran.
4. Reposer de nouveau le couvercle du moteur.

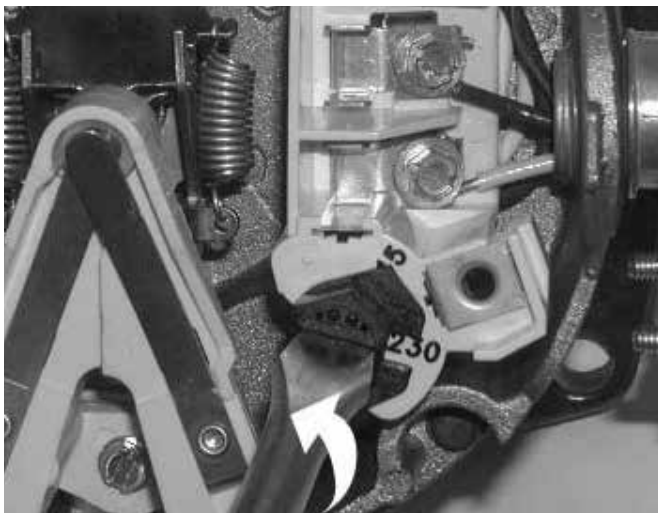


Figure 5 : Modification au réglage de la tension.



Figure 6 : Pour faire fonctionner le moteur sur le courant de 115 volts.

* Les modèles équipés d'un cordon d'alimentation sont pré-réglés sur le 115 volts. C'est le cas des modèles MGP7C et MGP7D.

ÉLECTRICITÉ

- ⚠** Mettre le moteur à la terre avant de le brancher sur le courant électrique.
- ⚠** Ne pas mettre le moteur à la terre risque de causer des secousses électriques graves, voire mortelles.
- ⚠** Risque d'explosion. Ne pas mettre à la terre sur une conduite d'alimentation de gaz.
- ⚠** Pour éviter les secousses électriques dangereuses, voire mortelles, couper le courant alimentant le moteur avant d'intervenir sur les connexions électriques.
- ⚠** L'alimentation électrique doit correspondre à $\pm 10\%$ de la tension indiquée sur la plaque signalétique. Une mauvaise alimentation électrique risque de causer un incendie ou d'endommager le moteur et d'annuler la garantie. En cas de doute, s'adresser à un électricien qualifié.
- ⚠** Utiliser les fils d'après les diamètres spécifiés dans le Tableau de câblage (Tableau II, page 6). Dans la mesure du possible, brancher la pompe sur un circuit séparé sur lequel aucun autre appareil ne sera branché.
- ⚠** Câbler le moteur conformément au schéma figurant sur la plaque signalétique du moteur. Si le schéma de la plaque signalétique du moteur diffère d'un de ceux ci-dessus, suivre le schéma de la plaque signalétique.

Pour tous les moteurs triphasés : suivre le schéma de câblage indiqué sur la boîte à bornes du moteur ou sur la plaque signalétique du moteur.

CONNEXIONS DU CÂBLAGE

1. Cette pompe doit être installée, mise à la terre, câblée et entretenue conformément au National Electrical Code (NEC) des États-Unis ou au Code canadien de l'électricité (CCE), selon le cas, et à tous les codes et décrets de la municipalité qui s'appliquent. S'adresser à un inspecteur de la construction pour plus de renseignements concernant les codes.
2. S'assurer que la tension, la fréquence et la phase de l'alimentation électrique (monophasée ou triphasée) correspondent à ce qui est indiqué sur la plaque signalétique du moteur. En cas de doute, s'adresser à la compagnie d'électricité.
3. Certains modèles sont équipés d'un moteur triphasé. Les moteurs triphasés doivent être équipés d'un démarreur magnétique. Ces moteurs peuvent fonctionner dans un sens ou dans l'autre, selon la façon dont ils sont branchés sur l'alimentation électrique.

NOTA : Les moteurs bitension qui ne comportent pas de cordons électriques sont câblés à l'usine pour fonctionner sur le 230 volts. Au besoin, reconnecter le moteur pour qu'il fonctionne sur le 115 volts, comme il est illustré. Tous les moteurs comportant un cordon électrique sont câblés pour fonctionner sur le 115 volts (se reporter à la page 6). Ne pas modifier le câblage des moteurs à tension simple.

Cette pompe doit être installée, mise à la terre, câblée et entretenue conformément au National Electrical Code (NEC) des États-Unis ou au Code canadien de l'électricité (CCE) selon le cas, et à tous les codes et décrets de la municipalité qui s'appliquent. S'adresser à un inspecteur de la construction pour plus de renseignements concernant les codes.

NOTA : Brider le câble de tension pour empêcher toute contrainte sur les bornes filetéées.

NOTA : La plaque à bornes du moteur (qui se trouve sous le couvercle d'extrémité du moteur) ressemble à la plaque illustrée à gauche. Ne pas modifier le câblage du moteur si la tension de ligne est de 230 volts. Brancher le courant d'alimentation comme il est illustré, en fonction de la tension d'alimentation.

Pour vérifier le bon sens de rotation - moteur triphasé

⚠ AVERTISSEMENT Risque de secousses électriques.

1. S'assurer que le courant alimentant le moteur est coupé avant d'intervenir sur les connexions électriques.
2. Déposer le couvercle d'extrémité du moteur pour exposer l'arbre du moteur. Démarrer momentanément la pompe. Si le branchement est bon, l'arbre tournera à droite.
3. Si la rotation se fait à gauche, inverser deux des fils du démarreur. La rotation se fera maintenant dans le bon sens.

MISE À LA TERRE DU MOTEUR

Mettre en permanence la pompe à la terre en utilisant un fil de diamètre et de type spécifiés par le National Electric Code, le Code canadien de l'électricité, selon le cas, ou les codes de la municipalité.

Modèles équipés à l'usine d'un cordon électrique et d'une fiche :

⚠ AVERTISSEMENT Risque de secousses électriques. Cet équipement ne doit être utilisé que sur le courant de 115 volts.

Il est équipé d'un cordon électrique à 3 conducteurs et d'une fiche à 3 broches, dont une de mise à la terre. Pour minimiser les risques de secousses électriques, s'assurer de brancher la fiche du cordon électrique dans une prise de courant de mise à la terre et adéquatement mise à la terre. Ne pas modifier ni enlever la fiche du cordon électrique. S'assurer que le circuit de la pompe répond au National Electrical Code ou au Code canadien de l'électricité, selon le cas. Pour éviter tout risque de secousses électriques dangereuses, toujours garder le cordon électrique sec.

Modèles non munis d'un cordon électrique ni d'une fiche :

1. Brancher le fil de mise à la terre en premier. Brancher tout d'abord le fil de mise à la terre sur la borne de mise à la terre verte qui se trouve sous le carter du moteur (se reporter à la Figure 5) et repéré GRD. Faire le branchement de mise à la terre sur cette borne. **Ne pas** brancher le moteur sur l'alimentation électrique tant que la pompe n'a pas été mise à la terre en permanence, sinon on risque de subir des secousses électriques graves, voir mortelles.

2. Pour obtenir le meilleur raccordement possible à la terre, brancher le fil de mise à la terre sur un fil de mise à la terre du panneau de distribution ou sur un tuyau d'eau métallique enterré ou sur le tubage d'un puits ayant au moins 10 pieds de long. Si un tuyau en plastique ou si des raccords isolés sont utilisés, brancher un fil de mise à la terre directement sur le tubage métallique du puits ou utiliser une électrode de mise à la terre que pourra fournir la compagnie d'électricité.

LUBRIFICATION

Il n'est pas nécessaire de lubrifier la pompe ni le moteur. Le moteur est équipé de roulements à billes étanches lubrifiés en permanence pour la durée des roulements. Le joint mécanique de l'arbre de la pompe est à graissage automatique et ne nécessite aucun réglage. Démontez la pompe pour remplacer les joints (se reporter à la section «Entretien» aux pages 7 et 8).

FONCTIONNEMENT

NOTA : Lorsque la pompe fonctionne, observer les précautions suivantes :

1. **Garder le moteur sec! Ne pas** diriger le jet de refoulement de la pompe sur le moteur!
2. **⚠ AVERTISSEMENT** **Pression dangereuse. Ne pas** faire fonctionner la pompe si le robinet du tuyau de refoulement est fermé, sinon le tuyau souple risque d'éclater et la pompe risque d'être endommagée suite à des températures élevées.
3. **Ne pas** utiliser un pistolet d'arrosage standard à gâchette avec cette pompe. N'utiliser qu'un pistolet d'arrosage à gâchette doté d'une caractéristique àsuitement automatique. Ces pistolets d'arrosage sont disponibles en tant qu'accessoires et sont livrés avec trois embouts. Le plus petit embout limite le débit, permettant l'utilisation d'une source d'eau moins importante. Les deux embouts plus grands sont utilisés si la source d'eau fournit la capacité totale de la pompe.
4. **Ne pas** faire fonctionner cette pompe à sec, sinon le joint sera endommagé.
5. Pour ne pas endommager les pièces internes de la pompe, **ne pas** l'utiliser si la température de l'eau dépasse 79 degrés C.

TABLEAU II - FUSIBLES ET CÂBLAGES RECOMMANDÉS

Pour les modèles monophasés fonctionnant sur le 115/230 volts et les modèles triphasés fonctionnant sur le 230/460 volts. Pour les modèles fonctionnant sur le 575 volts, consulter un électricien qualifié.

Puissance du moteur en ch	Volts/ phases	Ampères max.	Puissance en ampères du fusible du circuit	Longueur des fils			
				0 à 50 pi	51 à 100 pi	101 à 200 pi	201 à 300 pi
				Diamètre des fils			
1/2	115/1	12.4	20	12	12	10	8
1/2	230/1	6.2	15	14	14	14	14
1/2	230/3	3.1	15	14	14	14	14
1/2	460/3	1.55	15	14	14	14	14
3/4	115/1	14.8	20	12	12	8	6
3/4	230/1	7.4	15	14	14	14	14
3/4	230/3	3.6	15	14	14	14	14
3/4	460/3	1.8	15	14	14	14	14
1	115/1	19.2	25	10	10	8	6
1	230/1	9.6	15	14	14	14	12
1	230/3	4.7	15	14	14	14	14
1	460/3	2.35	15	14	14	14	14
1-1/2	230/1	12.0	15	14	14	14	12
1-1/2	230/3	6.8	15	14	14	14	14
1-1/2	460/3	3.4	15	14	14	14	14
2	115/230/1	24.0/10.4	30/15	12/14	10/14	6/14	6/12
2	230/460/3	6.0/3.0	15	14	14	14	14
3	208-230/1	15.0	20	12	12	12	10
3	230/460/3	11.5/5.8	15/15	14/14	14/14	14/14	12/14

ENTRETIEN

Démontage de la pompe

▲ AVERTISSEMENT **Tension dangereuse.** Risque de secousses électriques, de brûlures, voire de mort. Avant d'entretenir la pompe, couper le courant électrique qui l'alimente.

Outils requis :

1. Clés à fourche de 7/16 de pouce (2).
2. Tournevis à lame plate avec manche isolé.
3. Établi (muni d'un étau dans la mesure du possible).
4. Pincés ou outil semblable.
5. Clé à tuyau.

Remplacement de l'impulseur étagé (voir la Figure 7)

Débrancher la pompe du service d'eau et la monter à la verticale dans un étau (si disponible), le côté moteur étant orienté vers le bas. Serrer le moteur en son centre. Il sera préférable d'envelopper le moteur d'un chiffon pour protéger ses surfaces extérieures.

Procéder comme suit :

1. Poser une clé à tuyau sur les méplats du raccord de refoulement et la tourner à droite pour procéder à la dépose (filets à gauche).
2. Déposer les vis de fixation du carter du moteur, puis déposer le carter. Tirer le carter du moteur bien droit, comme il est illustré. Laisser les fils de l'interrupteur attachés (le cas échéant).

▲ AVERTISSEMENT **La tension du condensateur peut être dangereuse.** Pour décharger le condensateur, tenir un tournevis à manche isolé **par le manche** et court-circuiter les bornes du condensateur. Ne pas toucher à la lame métallique du tournevis ni aux bornes du condensateur.

3. Dévisser le dispositif de protection contre les surcharges et l'éloigner. Ne pas débrancher les fils. Glisser une clé à fourche de 7/16 de pouce derrière l'interrupteur centrifuge à ressort, comme il est illustré. Placer cette clé sur les méplats de l'arbre du moteur pour immobiliser le moteur.
4. La première clé de 7/16 de pouce étant en place sur l'arbre du moteur, mettre la deuxième clé sur le six pans de l'arbre, côté pompe, puis dévisser l'impulseur étagé en tournant à gauche.
5. Une fois l'arbre du moteur dégagé, l'immobiliser par le jonc d'arrêt en utilisant une paire de pincés ou un outil semblable, puis sortir l'impulseur étagé du carter de la pompe. Il faudra peut-être exercer un mouvement de va-et-vient pour dégager l'impulseur étagé du carter.

Pour procéder au remontage avec un impulseur étagé de rechange, laisser la pompe en position verticale, le moteur étant orienté vers le bas, puis procéder à l'inverse des instructions de dépose 1 à 5.

Conseils pour remontage :

- A. Pour pouvoir faire reposer plus facilement l'enveloppe, enduire les joints toriques de refoulement et d'aspiration d'une solution d'eau savonneuse.
- B. S'assurer que le ressort du joint mécanique de l'arbre est bien positionné sur l'arbre du moteur.
- C. Sur les modèles triphasés, appliquer du Loctite n° 271 sur les filets de l'arbre du moteur avant de reposer l'empilage.

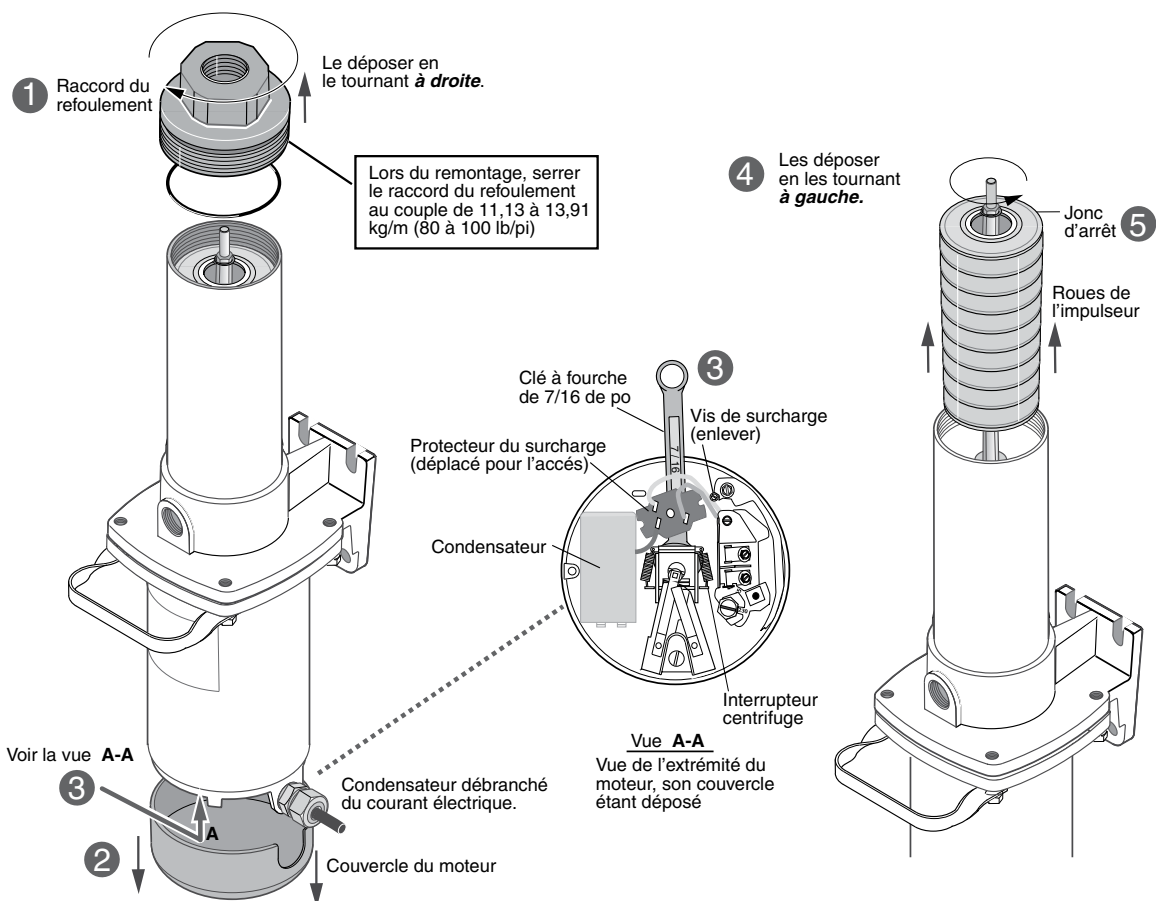


Figure 7 – Remplacement de l'impulseur étagé.

Remplacement du joint mécanique

(se reporter aux Figures 7 et 8)

Il sera possible de mieux procéder à cette opération si la pompe est tenue en position verticale, le moteur étant orienté vers le bas.

Procéder tout d'abord aux instructions de «**Démontage**» 1 à 5 sous la section «**Remplacement de l'impulseur étagé**» (voir la Figure 7).

6. Déposer les 4 vis de fixation du corps de la pompe sur le moteur. La poignée de la pompe se détachera lorsque les deux vis du haut seront enlevées.
7. Dévisser l'enveloppe de la pompe du corps de la pompe en la tournant à droite (filets à gauche).
8. Déposer le ressort du joint mécanique de l'arbre et la moitié rotative de l'arbre du moteur. Faire bien attention de ne pas rayer l'arbre du moteur lorsque l'on dépose la moitié rotative.
9. Déposer le corps de la pompe du moteur; le poser sur une surface plane en l'orientant vers le bas. De nouveau, faire bien attention de ne pas rayer l'arbre du moteur.
10. À l'aide d'un tournevis, chasser le siège en céramique de sa cavité, comme il est illustré.
11. Pose du siège en céramique :
 - A. Tourner le corps de la pompe à l'envers de façon que la cavité du joint soit orientée vers le haut; bien nettoyer la cavité.
 - B. Nettoyer la surface polie du siège en céramique avec un chiffon bien propre.
 - C. Lubrifier la surface extérieure en caoutchouc du joint avec de l'eau savonneuse. Mettre une rondelle en carton par-dessus la surface polie du siège et la pousser dans la cavité du joint

à l'aide d'une douille de 3/4 de pouce ou d'un morceau de tuyau de 3/4 de pouce.

- D. S'assurer que la surface polie du siège est bien propre et qu'elle n'a pas été endommagée pendant l'insertion. Enlever tout l'excès d'eau savonneuse. Jeter la rondelle en carton.
12. Installation du ressort et de la moitié rotative :
 - A. Reposer le corps de la pompe sur le moteur en faisant extrêmement attention de ne pas toucher la partie en céramique du joint de l'arbre du moteur. Rattacher le corps de la pompe sur le moteur à l'aide des vis à chapeau. Ne pas oublier de reposer la poignée de la pompe à ce moment-là.
 - B. Inspecter l'arbre pour s'assurer qu'il est propre.
 - C. Nettoyer la surface de la moitié rotative du joint avec un chiffon propre.
 - D. Lubrifier le diamètre intérieur de la moitié rotative avec de l'eau savonneuse, puis la glisser sur l'arbre du moteur (la surface d'étanchéité en premier).
 - E. Reposer le ressort sur l'arbre du moteur de façon qu'il repose sur la moitié rotative.
13. Pour compléter le remontage à partir de ce point, procéder à l'inverse des opérations 1 à 5 sous «**Remplacement de l'impulseur étagé**».

NOTA: Lubrifier les joints toriques d'aspiration et de refoulement avec de l'eau savonneuse pour faciliter la repose de l'enveloppe.

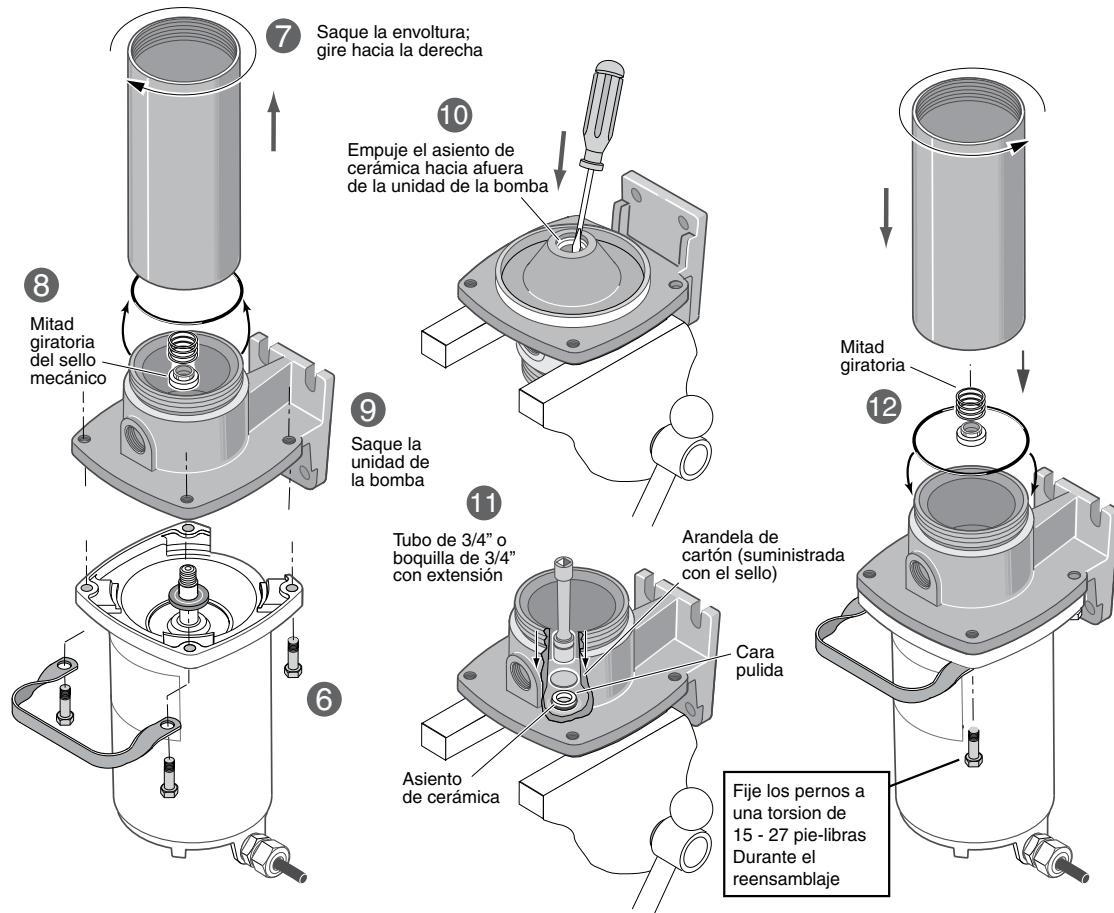
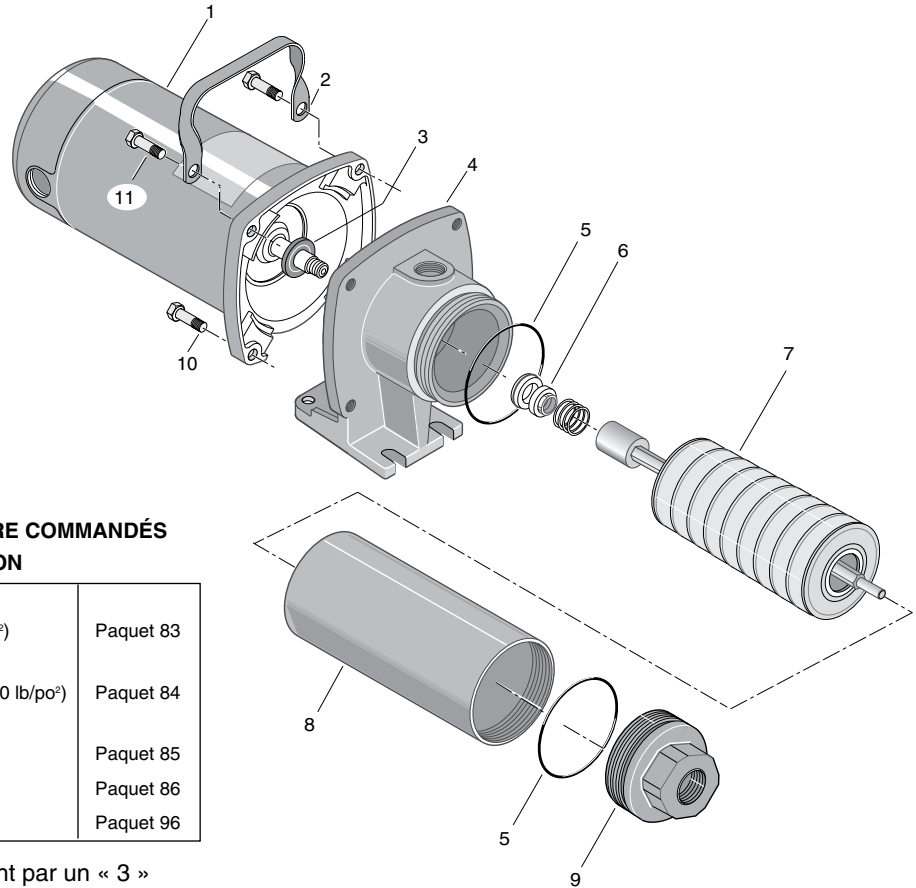


Figure 8 – Remplacement du joint mécanique.



LES ACCESSOIRES SUIVANTS PEUVENT TRE COMMANDÉS POUR LES POMPES RELAIS HAUTE PRESSION

Tuyau souple de 6 pieds-3/4 de pouce avec extrémités femelles (pression nominale de 150 lb/po ²)	Paquet 83
Tuyau souple de 25 pieds-3/4 de pouce avec extrémités mâle et femelle (pression nominale de 150 lb/po ²)	Paquet 84
Adaptateur de 3/4 de pouce NPT x tuyau souple de 3/4 de pouce	Paquet 85
Ajutage - haute pression	Paquet 86
Soupape de sûreté d'aspiration à dépression	Paquet 96

NOTA: Les numéros de modèle se terminant par un « 3 » (MGP7C3, MGPS10C3, etc.) sont équipés de moteurs triphasés.

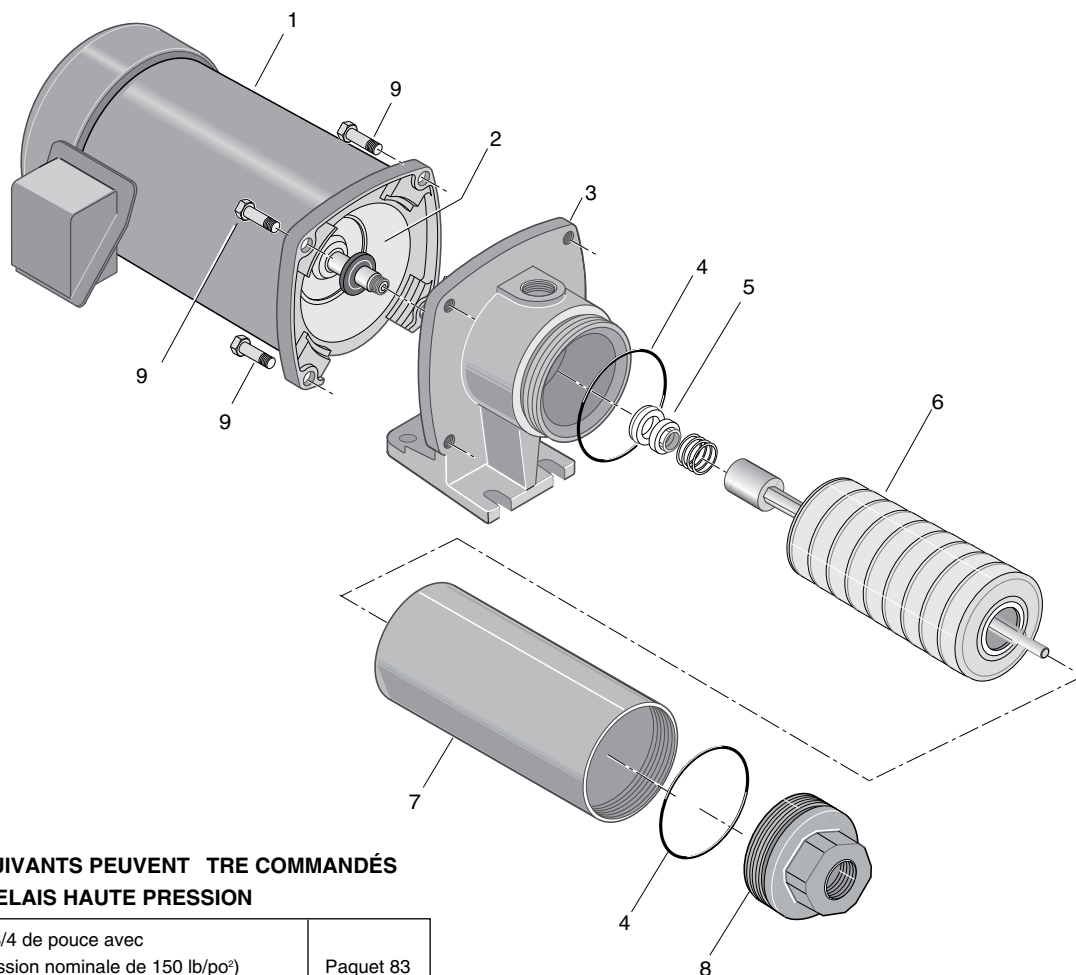
LISTE DES PIÈCES DE RECHANGE

Réf.	Désignation	Qté	MGP7C-02 MGP7C3-02 MGP10C-02 MGP10C3-02 1/2 ch	MGP7D-02 MGP7D3-02 MGP10D-02 MGP10D3-02 3/4 ch	MGP7E-02 MGP7E3-02 MGP10E-02 MGP10E3-02 MGP20E-02 MGP20E3-02 1 ch	MGP10F-02 MGP10F3-02 MGP20F-02 MGP20F3-02 1-1/2 ch	MGP10G-02 MGP10G3-02 MGP20G-02 MGP20G3-02 2 ch	MGP20H MGP20H3 3 ch
1	Moteur monophasé de 115/230 volts	1	J218-590PKG	J218-596PKG	J218-601PKG	J218-883APKG	J218-628APKG	–
1	Moteur monophasé de 230 volts	1	–	–	–	–	–	AE100HLL
1	Moteur triphasé de 230/460 volts	1	AP100CH	AP100DH	AP100EH	AP100EH	AP100FH	AP100HL
2	Poignée (*)	1	C54-21	C54-21	C54-21	C54-21	C54-21	C54-21
3	Défecteur d'eau	1	17351-0009	17351-0009	17351-0009	17351-0009	17351-0009	17351-0009
4	Corps de la pompe	1	C2-85	C2-85	C2-85	C2-85	C2-85	–
4	Corps de la pompe (Modèles de 75,7 L/min seulement)	1	–	–	C2-85A	C2-85A	C2-85A	C2-85A
5	Joint torique	2	U9-430	U9-430	U9-430	U9-430	U9-430	U9-430
6	Joint d'arbre	1	U109-118	U109-118	U109-118	U109-118	U109-118	U109-118
7	Impulseur étagé (26,5 L/min)	1	P325-422R	P325-423R	P325-424R	–	–	–
7	Impulseur étagé (37,9 L/min)	1	P325-425R	P325-426R	P325-439R	P325-428R	P325-429R	–
7	Impulseur étagé (75,7 L/min)	1	–	–	P325-602R	P325-431R	P325-432R	P325-718R
8	Carter de la pompe (26,5 L/min)	1	P56-430SSL	P56-431SSL	P56-432SSL	–	–	–
8	Carter de la pompe (37,9 L/min)	1	P56-460SSL	P56-461SSL	P56-469SSL	P56-452SSL	P56-432SSL	–
8	Carter de la pompe (75,7 L/min)	1	–	–	P56-433SSL	P56-434SSL	P56-452SSL	P56-452SSL
9	Refoulement	1	C152-3	C152-3	C152-3	C152-3	C152-3	–
9	Refoulement (Modèles de 75,7 L/min)	1	–	–	C152-3A	C152-3A	C152-3A	C152-3A
10	Vis de 3/8 x 16 x 1 1/2 po	4	U30-982ZP	U30-982ZP	U30-982ZP	U30-982ZP	U30-982ZP	U30-982ZP
	• Cordon et fiche†	1	U17-402	U17-1238	–	–	–	–
	• Connector du cordon électrique†	1	U71-7	U71-7	–	–	–	–

(*) La poignée (Réf. 2) n'est livrée qu'avec les pompes débitant 26,5 et 75,7 gal/min.

• Pièces non illustrées.

† Modèles MGP7C-02 et MGP7D-02 seulement.



**LES ACCESSOIRES SUIVANTS PEUVENT ÊTRE COMMANDÉS
POUR LES POMPES RELAIS HAUTE PRESSION**

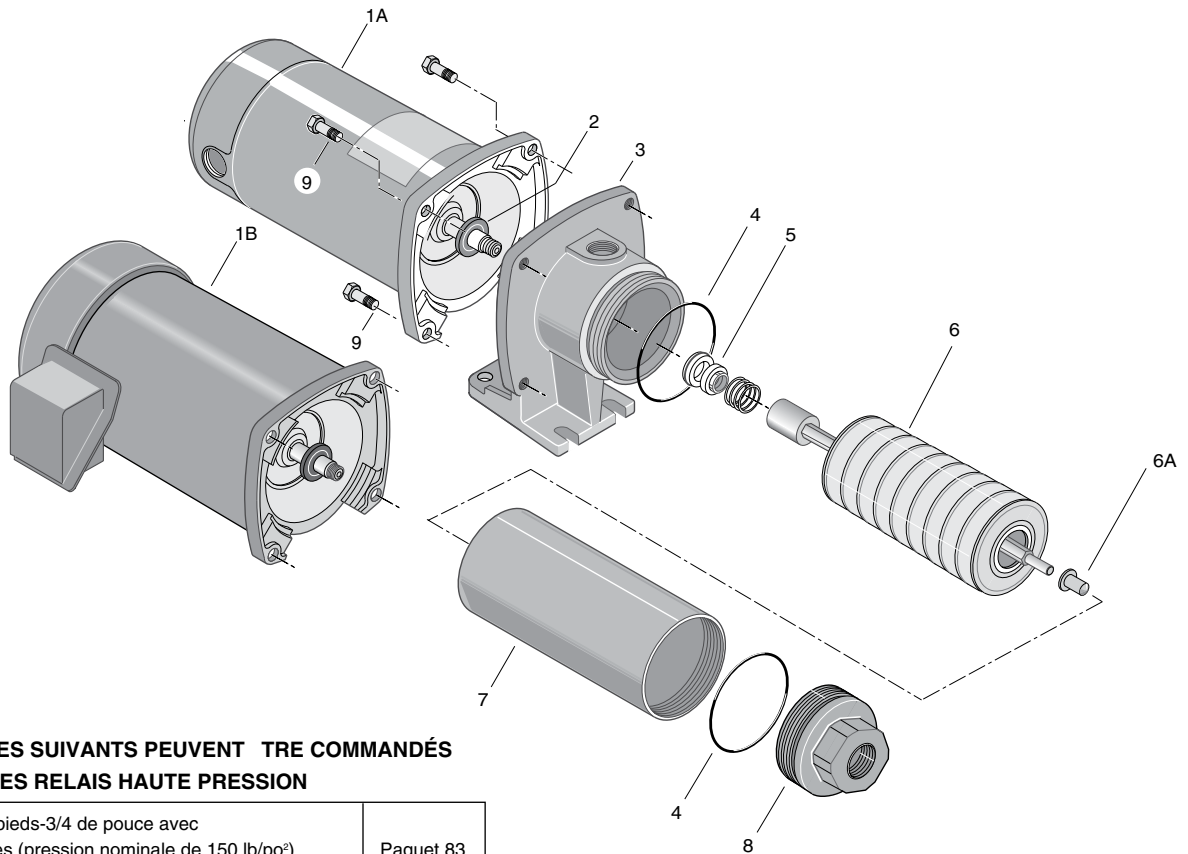
Tuyau souple de 6 pieds-3/4 de pouce avec extrémités femelles (pression nominale de 150 lb/po ²)	Paquet 83
Tuyau souple de 25 pieds-3/4 de pouce avec extrémités mâle et femelle (pression nominale de 150 lb/po ²)	Paquet 84
Adaptateur de 3/4 de pouce NPT x tuyau souple de 3/4 de pouce	Paquet 85
Ajutage - haute pression	Paquet 86
Soupape de sûreté d'aspiration à dépression	Paquet 96

NOTA: Les numéros de modèle se terminant par un « 3 » (MGP7C3, MGPS10C3, etc.) sont équipés de moteurs triphasés.

LISTE DES PIÈCES DE RECHANGE

Ref.	Désignation	Qté	MGP7C3-575T MGP10C3-575T 1/2 ch	MGP7D3-575T MGP10D3-575T 3/4 ch	MGP7E3-575T MGP10E3-575T MGP20E3-575T 1 ch	MGP10F3-575T MGP20F3-575T 1-1/2 ch	MGP10G3-575T MGP20G3-575T 2 ch
1	Moteur triphasé de 575 volts, «TEFC»	1	J218-996A	J218-997A	J218-998A	J218-999A	J218-1000A
2	Défecteur d'eau	1	17351-0009	17351-0009	17351-0009	17351-0009	17351-0009
3	Corps de la pompe	1	C2-85	C2-85	C2-85	C2-85	C2-85
4	Joint torique	2	U9-430	U9-430	U9-430	U9-430	U9-430
5	Joint d'arbre	1	U109-118	U109-118	U109-118	U109-118	U109-118
6	Impulseur étagé (26,5 L/min)	1	P325-422R	P325-423R	P325-424R	—	—
6	Impulseur étagé (37,9 L/min)	1	P325-425R	P325-426R	P325-439R	P325-428R	P325-429R
6	Impulseur étagé (75,7 L/min)	1	—	—	P325-602R	P325-431R	P325-432R
7	Carter de la pompe (26,5 L/min)	1	P56-430SSL	P56-431SSL	P56-432SSL	—	—
7	Carter de la pompe (37,9 L/min)	1	P56-460SSL	P56-461SSL	P56-469SSL	P56-452SSL	P56-432SSL
7	Carter de la pompe (75,7 L/min)	1	—	—	P56-433SSL	P56-434SSL	P56-452SSL
8	Refoulement	1	C152-3	C152-3	C152-3	C152-3	C152-3
8	Refoulement (Modèles de 75,7 L/min seulement)	1	—	—	C152-3A	C152-3A	C152-3A
9	Vis de 3/8 x 16 x 1 1/4 po (†)	2	U30-104ZP	—	U30-104ZP	—	U30-104ZP
9	Vis de 3/8 x 16 x 1 1/2 po (†)	2	—	U30-982ZP	—	U30-982ZP	—

(†) Deux (2) Réf. 9 et deux (2) Réf. 10 sont utilisées sur les modèles débitant 20 gal/min. Quatre (4) Réf. 9 sont utilisées sur tous les autres modèles.



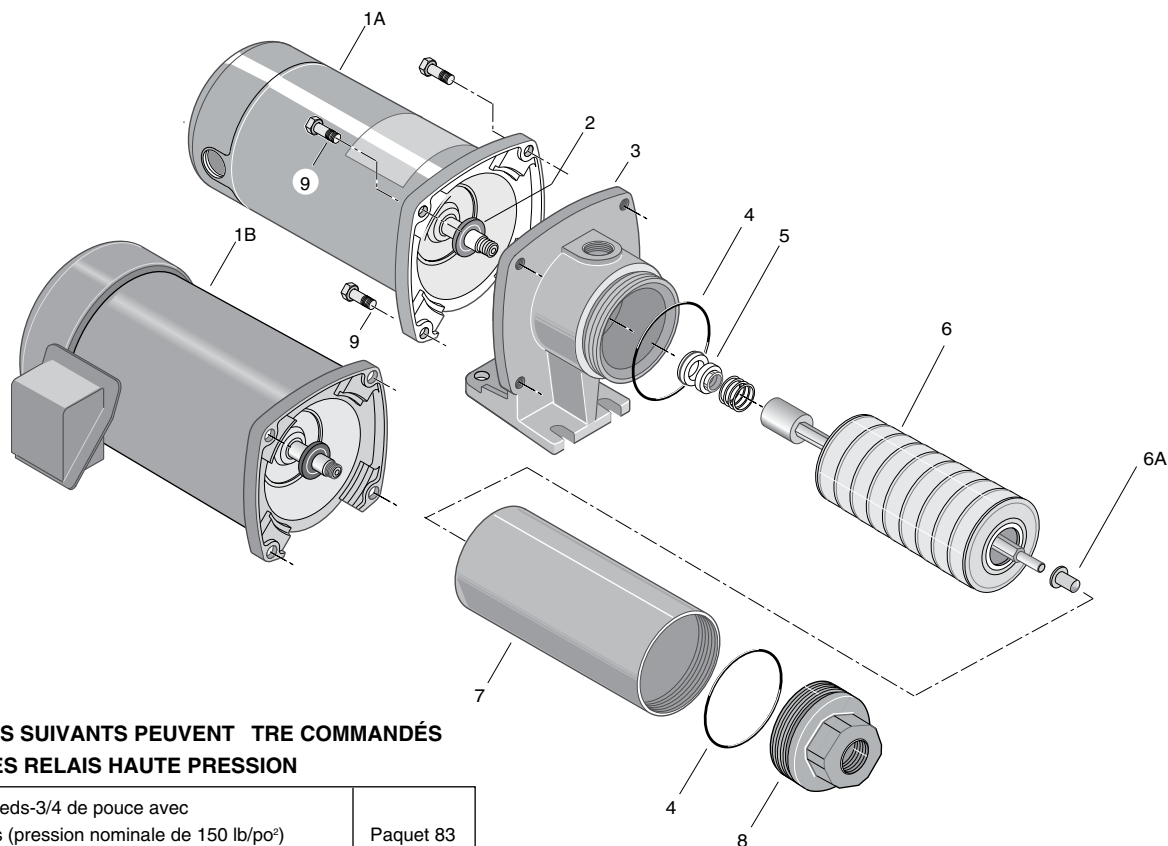
**LES ACCESSOIRES SUIVANTS PEUVENT TRE COMMANDÉS
POUR LES POMPES RELAIS HAUTE PRESSION**

Tuyau souple de 6 pieds-3/4 de pouce avec extrémités femelles (pression nominale de 150 lb/po ²)	Paquet 83
Tuyau souple de 25 pieds-3/4 de pouce avec extrémités mâle et femelle (pression nominale de 150 lb/po ²)	Paquet 84
Adaptateur de 3/4 de pouce NPT x tuyau souple de 3/4 de pouce	Paquet 85
Ajutage - haute pression	Paquet 86
Soupape de sûreté d'aspiration à dépression	Paquet 96

NOTA: La lettre « S » dans le numéro de modèle indique un corps de pompe en acier inoxydable, un refoulement en acier inoxydable ainsi que des vis d'assemblage acier inoxydable. Les numéros de modèle se terminant par un « 3 » (MGP7C3, MGPS10C3, etc.) sont équipés de moteurs triphasés.

LISTE DES PIÈCES DE RECHANGE

Réf.	Désignation	Qté	MGPS7C MGPS7C3 MGPS7C3-575T MGPS10C MGPS10C3 MGPS10C3-575T 1/2 ch	MGPS7D MGPS7D3 MGPS7D3-575T MGPS10D MGPS10D3 MGPS10D3-575T 3/4 ch	MGPS7E MGPS7E3 MGPS7E3-575T MGPS10E MGPS10E3 MGPS10E3-575T 1 ch	MGPS10F MGPS10F3 MGPS10F3-575T 1-1/2 ch	MGPS10G MGPS10G3 MGPS10G3-575T 2 ch
1A	Moteur monophasé de 115/230 volts	1	J218-590PKG	J218-596PKG	J218-601PKG	J218-883APKG	J218-628APKG
1A	Moteur triphasé de 230/460 volts	1	AP100CH	AP100DL2L	AP100EH	AP100FH	AP100GH
1B	Moteur triphasé de 575 volts, «TEFC»	1	J218-996AC	J218-997AC	J218-998AC	J218-999AC	J218-1000AC
2	Défecteur d'eau	1	17351-0009	17351-0009	17351-0009	17351-0009	17351-0009
3	Corps de la pompe	1	C2-86SS	C2-86SS	C2-86SS	C2-86SS	C2-86SS
4	Joint torique	2	U9-430	U9-430	U9-430	U9-430	U9-430
5	Joint d'arbre	1	U109-118	U109-118	U109-118	U109-118	U109-118
6	Impulseur étagé (26,5 L/min)	1	P325-422R	P325-423R	P325-424R	—	—
6	Impulseur étagé (37,9 L/min)	1	P325-425R	P325-426R	P325-439R	P325-428R	P325-429R
6A	Palier Nylatron (fait partie de la Réf. 8)	1	W31112	W31112	W31112	W31112	W31112
7	Carter de la pompe (26,5 L/min)	1	P56-430SSL	P56-431SSL	P56-432SSL	—	—
7	Carter de la pompe (37,9 L/min)	1	P56-460SSL	P56-461SSL	P56-469SSL	P56-452SSL	P56-432SSL
8	Refoulement	1	C152-4	C152-4	C152-4	C152-4	C152-4
9	Vis de 3/8 x 16 x 1 1/2 po, S.S.	4	S25983	S25983	S25983	S25983	S25983



**LES ACCESSOIRES SUIVANTS PEUVENT ÊTRE COMMANDÉS
POUR LES POMPES RELAIS HAUTE PRESSION**

Tuyau souple de 6 pieds-3/4 de pouce avec extrémités femelles (pression nominale de 150 lb/po ²)	Paquet 83
Tuyau souple de 25 pieds-3/4 de pouce avec extrémités mâle et femelle (pression nominale de 150 lb/po ²)	Paquet 84
Adaptateur de 3/4 de pouce NPT x tuyau souple de 3/4 de pouce	Paquet 85
Ajutage - haute pression	Paquet 86
Soupape de sûreté d'aspiration à dépression	Paquet 96

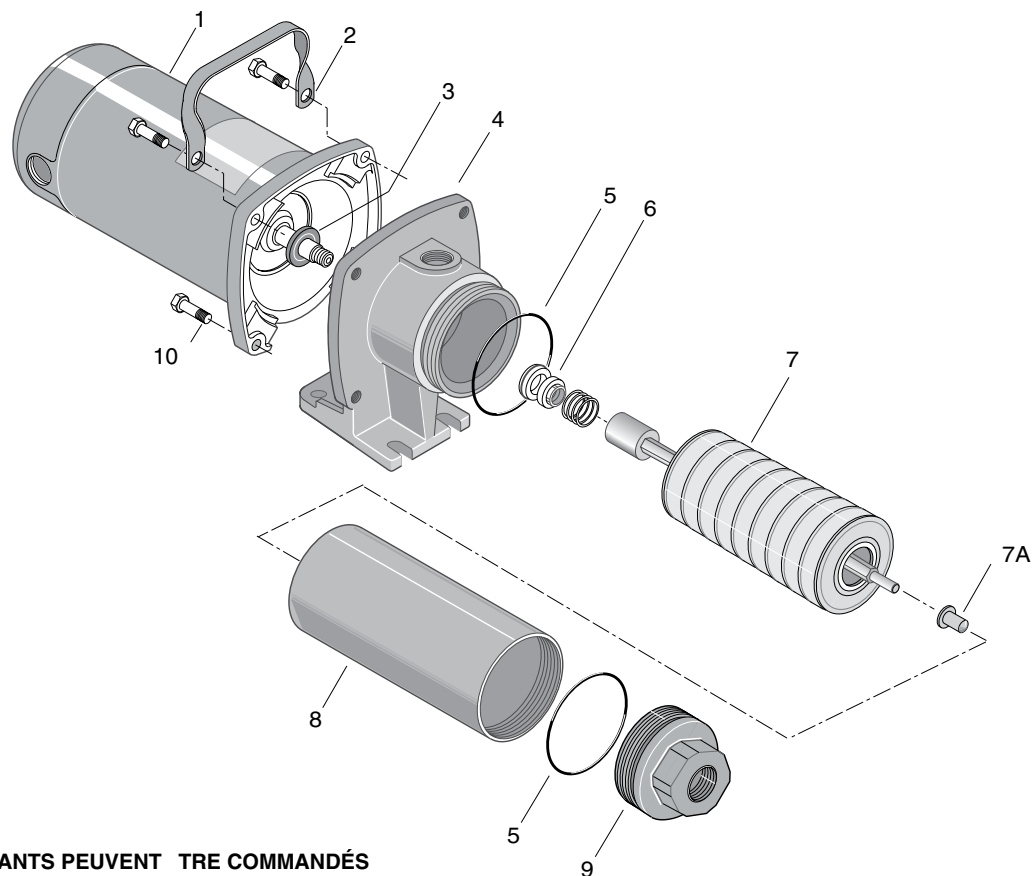
NOTA: La lettre « S » dans le numéro de modèle indique un corps de pompe en acier inoxydable, un refoulement en acier inoxydable ainsi que des vis d'assemblage acier inoxydable. Les numéros de modèle se terminant par un « 3 » (MGP7C3, MGPS10C3, etc.) sont équipés de moteurs triphasés.

LISTE DES PIÈCES DE RECHANGE

Réf.	Désignation	Qté	MGPS20E MGPS20E3 MGPS20E3-575T 1 ch	MGPS20F MGPS20F3 MGPS20F3-575T 1-1/2 ch	MGPS20G MGPS20G3 MGPS20G3-575T 2 ch	MGPS20H MGPS20H3 3 ch
1A	Moteur monophasé de 115/230 volts	1	J218-601PKG	J218-883APKG	J218-628APKG	—
1A	Moteur monophasé de 230 volts	1	—	—	—	AE100HLL
1A	Moteur triphasé de 230/460 volts	1	AP100EH	AP100FH	AP100GH	AP100HL
1B	Moteur triphasé de 575 volts	1	J218-998AC	J218-999AC	J218-1000AC	—
2	Défecteur d'eau	1	17351-0009	17351-0009	17351-0009	17351-0009
3	Corps de la pompe	1	C2-86SSA	C2-86SSA	C2-86SSA	C2-86SSA
4	Joint torique	2	U9-430	U9-430	U9-430	U9-430
5	Joint d'arbre	1	U109-118	U109-118	U109-118	U109-118
6	Impulseur étagé*	1	P325-602R	P325-431R	P325-432R	P325-718R
6A	Palier Nylatron (fait partie de la Réf. 8)	1	W31112	W31112	W31112	W31112
7	Carter de la pompe	1	P56-470SSL	P56-434SSL	P56-452SSL	P56-620SSL
7	Carter de la pompe (Modèle MGPS20E3-575 seulement)	1	P56-433SSL	—	—	—
8	Refoulement	1	C152-4A	C152-4A	C152-4A	—
9	Vis de 3/8 x 16 x 1 1/4 po	2	U30-75ZP	U30-75ZP	U30-75ZP	—
9	Vis de 3/8 x 16 x 1 1/2 po**	2	U30-76ZP	U30-76ZP	U30-76ZP	U30-982ZP
9	Vis de 3/8 x 16 x 1 1/4 po, S.S. (Modèles MGPS20E, F et F3)	4	U30-75SS	U30-75SS	—	—
9	Vis de 3/8 x 16 x 1 1/4 po, SHCS (Modèles avec suffixe -575T)	4	S25983	S25983	S25983	—

* Le modèle MGPS20E utilise la pièce numéro P325-440R.

** Les modèles de 3 ch utilisent (4) vis d'assemblage de 1-1/2 po.



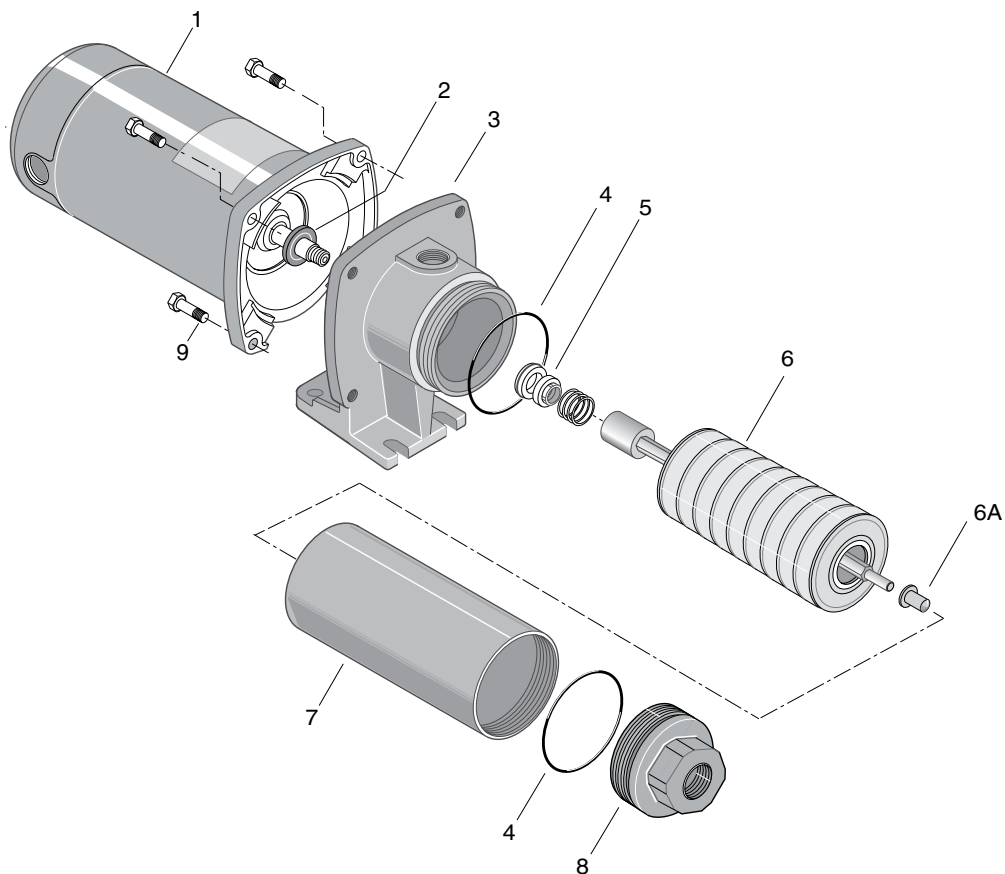
**LES ACCESSOIRES SUIVANTS PEUVENT ÊTRE COMMANDÉS
POUR LES POMPES RELAIS HAUTE PRESSION**

Tuyau souple de 6 pieds-3/4 de pouce avec extrémités femelles (pression nominale de 150 lb/po ²)	Paquet 83
Tuyau souple de 25 pieds-3/4 de pouce avec extrémités mâle et femelle (pression nominale de 150 lb/po ²)	Paquet 84
Adaptateur de 3/4 de pouce NPT x tuyau souple de 3/4 de pouce	Paquet 85
Ajutage - haute pression	Paquet 86
Soupape de sûreté d'aspiration à dépression	Paquet 96

NOTA: Les numéros de modèle se terminant par un « 3 » (MGP7C3, MGPS10C3, etc.) sont équipés de moteurs triphasés.

LISTE DES PIÈCES DE RECHANGE

Réf.	Désignation	Qté	MGP30E MGP30E3 1 ch	MGP30F MGP30F3 1-1/2 ch	MGP30G MGP30G3 2 ch	MGP30H MGP30H3 3 ch
1	Moteur monophasé de 115/230 volts	1	J218-601PKG	J218-883APKG	J218-628APKG	–
1	Moteur monophasé de 230 volts	1	–	–	A100GSL	AE100HLL
1	Moteur triphasé de 230/460 volts	1	AP100EH	AP100FH	AP100GH	AP100HL
2	Poignée	1	C54-21	C54-21	C54-21	C54-21
3	Défecteur d'eau	1	17351-0009	17351-0009	17351-0009	17351-0009
4	Corps de la pompe	1	C2-85B	C2-85B	C2-85B	C2-85B
5	Joint torique	2	U9-430	U9-430	U9-430	U9-430
6	Joint d'arbre	1	U109-118	U109-118	U109-118	U109-118
7	Impulseur étagé	1	P325-719R	P325-720R	P325-721R	P325-722
7A	Palier Nylatron (fait partie de la Réf. 9)	1	W31112	W31112	W31112	W31112
8	Carter de la pompe	1	P56-621SSL	P56-622SSL	P56-434SSL	P56-615SSL
9	Refoulement	1	C152-3B	C152-3B	C152-3B	C152-3B
10	Vis de 3/8 x 16 x 1 1/2 po	4	U30-982ZP	U30-982ZP	U30-982ZP	U30-982ZP



LES ACCESSOIRES SUIVANTS PEUVENT TRE COMMANDÉS POUR LES POMPES RELAIS HAUTE PRESSION

Tuyau souple de 6 pieds-3/4 de pouce avec extrémités femelles (pression nominale de 150 lb/po ²)	Paquet 83
Tuyau souple de 25 pieds-3/4 de pouce avec extrémités mâle et femelle (pression nominale de 150 lb/po ²)	Paquet 84
Adaptateur de 3/4 de pouce NPT x tuyau souple de 3/4 de pouce	Paquet 85
Ajutage - haute pression	Paquet 86
Soupape de sûreté d'aspiration à dépression	Paquet 96

NOTA: La lettre « S » dans le numéro de modèle indique un corps de pompe en acier inoxydable, un refoulement en acier inoxydable ainsi que des vis d'assemblage acier inoxydable. Les numéros de modèle se terminant par un « 3 » (MGP7C3, MGPS10C3, etc.) sont équipés de moteurs triphasés.

LISTE DES PIÈCES DE RECHANGE

Réf.	Désignation	Qté	MGPS30E MGPS30E3 1 ch	MGPS30F MGPS30F3 1-1/2 ch	MGPS30G MGPS30G3 2 ch	MGPS30H MGPS30H3 3 ch
1	Moteur monophasé de 115/230 volts	1	J218-601PKG	J218-883APKG	J218-628APKG	–
1	Moteur monophasé de 230 volts	1	–	–	A100GSL	AE100HLL
1	Moteur triphasé de 230/460 volts	1	AP100EH	AP100FH	AP100GH	AP100H
2	Défecteur d'eau	1	17351-0009	17351-0009	17351-0009	17351-0009
3	Corps de la pompe	1	C2-86SSB	C2-86SSB	C2-86SSB	C2-86SSB
4	Joint torique	2	U9-430	U9-430	U9-430	U9-430
5	Joint d'arbre	1	U109-118	U109-118	U109-118	U109-118
6	Impulseur étagé	1	P325-719R	P325-720R	P325-721R	P325-722R
6A	Palier Nylatron (fait partie de la Réf. 9)	1	W31112	W31112	W31112	W31112
7	Carter de la pompe	1	P56-621SSL	P56-622SSL	P56-434SSL	P56-615SSL
8	Refoulement	1	C152-4B	C152-4B	C152-4B	C152-4B
9	Vis de 3/8 x 16 x 1 1/2 po	4	S25983	S25983	S25983	S25983