

ELECTRONIC PRICING CATALOG NAVIGATION INSTRUCTIONS



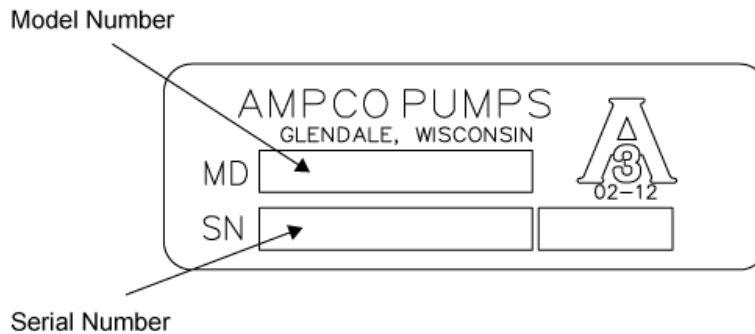
Questions? Call 1-800-810-1053

Select by Pump Model:

If you know what pump you are looking for, you can use the 'Bookmarks' tab on the left and select the pump model which you are trying to access. Clicking in the Bookmark will take you to the page you are looking for.

If there are no tabs on the left (bookmarks, signatures, layers, pages), you can use the top menu to make them appear. Goto VIEW > SHOW/HIDE > NAVIGATION PANES > BOOKMARKS and they will appear.

Sample Pump ID Tag: See the illustration below for help identifying the location of the Model number and Serial number on the pump ID tag.



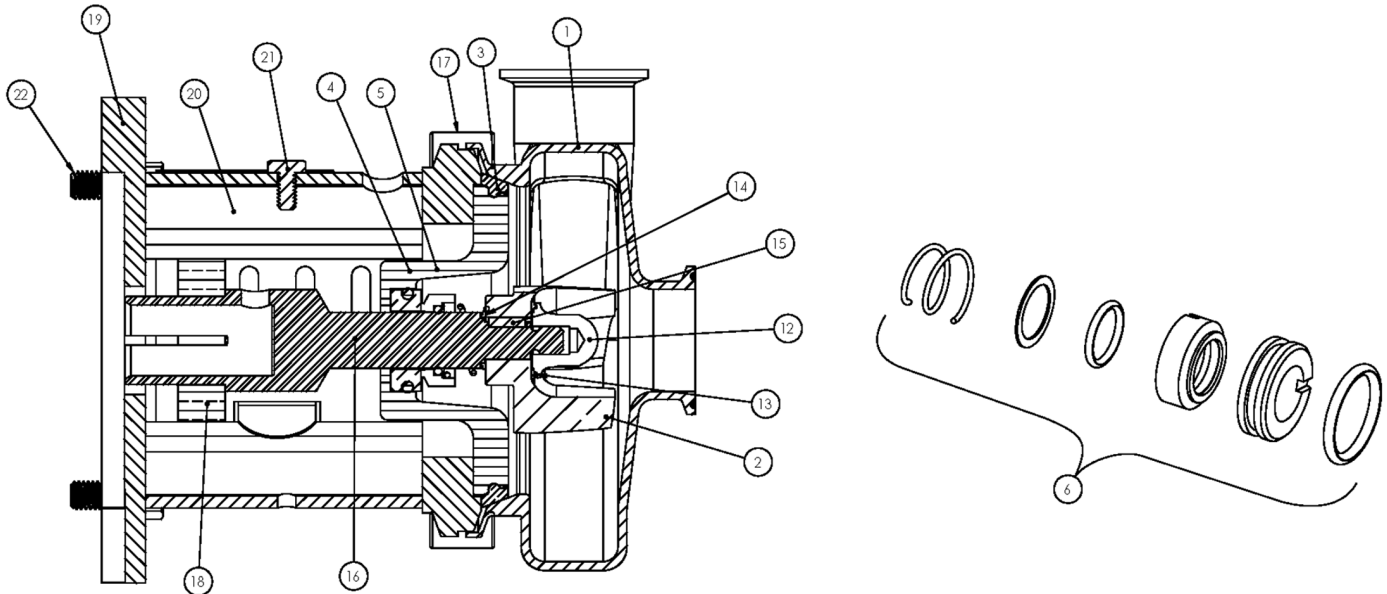
Please reference your serial number when ordering replacement parts.

Select by Part Number:

If you know an exact part number you are looking for, simply hit CONTROL+F and that will bring up the find feature. You may also use the menu, goto EDIT > FIND to bring up the same feature.

Type in your part number and it will show you all instances of that item in the catalog. If you only know some of the part number (i.e. SP328), that will also help and show all occurrences of those numbers together.

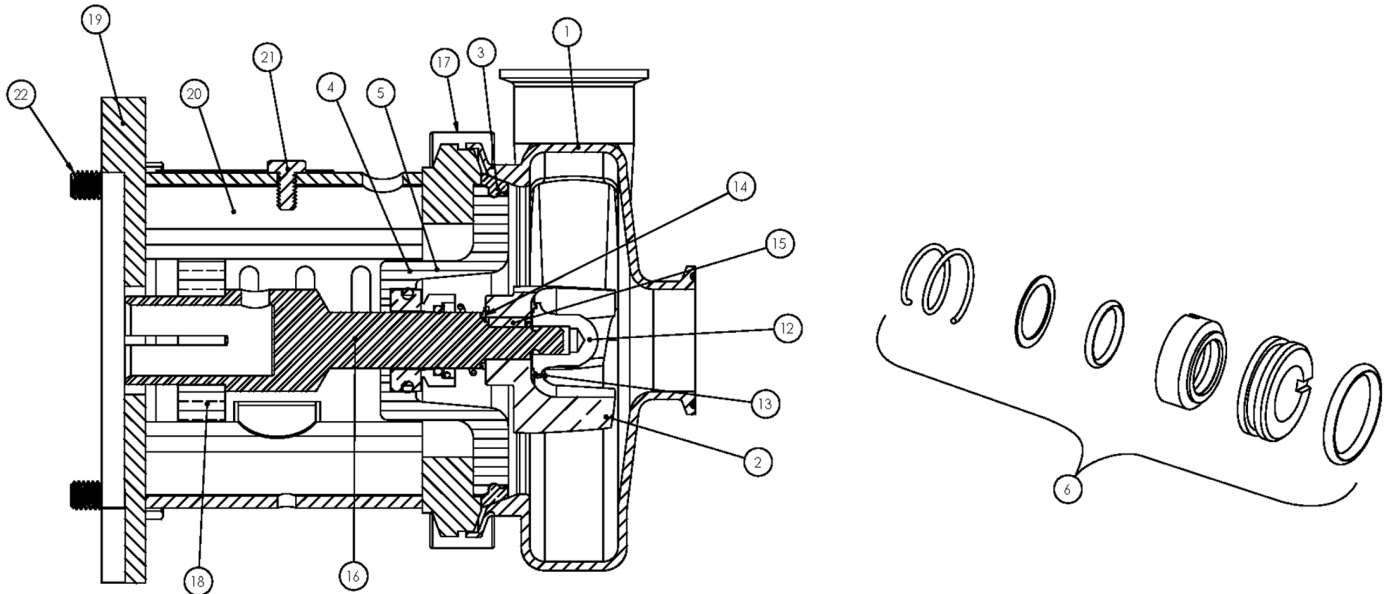
Be advised that partials of part number can return a large amount of results.



Exploded View

Optional Items Shown in ITALICS

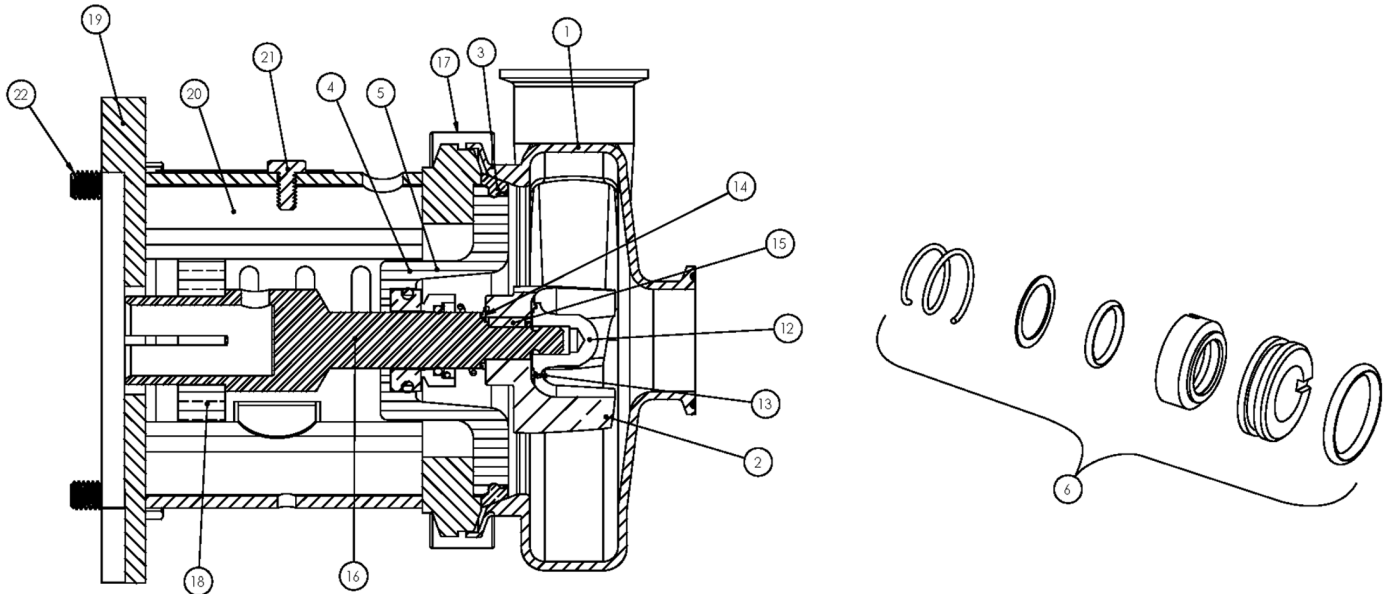
Ref #	Component Item No.	Description	Qty Per
1	S114M-01C-316L	CASING,1-1/2X1-1/2,TRI-CLMP C114/C+114	1
	<i>S114T-01C</i>	<i>CASING,1-1/2X1-1/2,BVL SEAT C114/C+114</i>	1
	<i>S114MI-01C</i>	<i>CASING,1-1/2X1-1/2,GLASS BEAD C114/C+114</i>	1
	<i>S114S-01C</i>	<i>CASING,1-1/2X1-1/2,NPT C114/C+114</i>	1
	<i>S114F-01D</i>	<i>CASING,1-1/2X1-1/2,FLNGD C114/C+114</i>	1
2	S114-02CP-316L	IMPELLER,+114/+214 C+/IC+	1
3	S114-90A-U	GASKET,114,CASING,BUNA C C+	1
	<i>S114-90A-E</i>	<i>GASKET,114,CASING,EPDM C C+</i>	1
	<i>S114-90A-V</i>	<i>GASKET,114,CASING,VIT C C+</i>	1
4	114IC+11-316	BACKPLATE,114 IC+	1
6	GS8101150	KIT,114/214, SC/CA/VI CB+	1
12	S114-91C-316L	NUT,+114/+214,IMP C+	1
13	S114-25A-U	GASKET,114,IMP NUT,BUNA C C+	1
	<i>S114-25A-E</i>	<i>GASKET,114,IMP NUT,EPDM C+</i>	1
	<i>S114-25A-V</i>	<i>GASKET,114,IMP NUT,VIT C+</i>	1
14	S114-25B-U	GASKET,114,IMP,BACK,BUNA C+	1
	<i>S114-25B-E</i>	<i>GASKET,114,IMP,BACK,EPDM C C+</i>	1
	<i>S114-25B-V</i>	<i>GASKET,114,IMP,BACK,VIT C+</i>	1
15	S114-95C-316L	KEY,IMP,114/214 C+	1
16	C114E-56TP-06	STUBSHAFT,56C C+114	1
17	S114-75AR-S	CLAMP,114,CASING C C+	1
18	SX18000013	COLLAR,56C/140TC,SHAFT L SEE ITEM NOTES	1
19	114E56T-71C-SS	ADAPTER,56C-140TC FRAME,SS C114/C+114	1
20	C114-56T-131A-S	GUARD,SEAL,114/214,SS C C+ CB+ IC+ 056C	1
21	GX5079600	CAPSCRW,HX,1/4-20X1/2,18-8SS HX HD	1
22	GX5077100	CAPSCRW,HX,3/8-16X1,18-8SS HX HD	4



Exploded View

Optional Items Shown in ITALICS

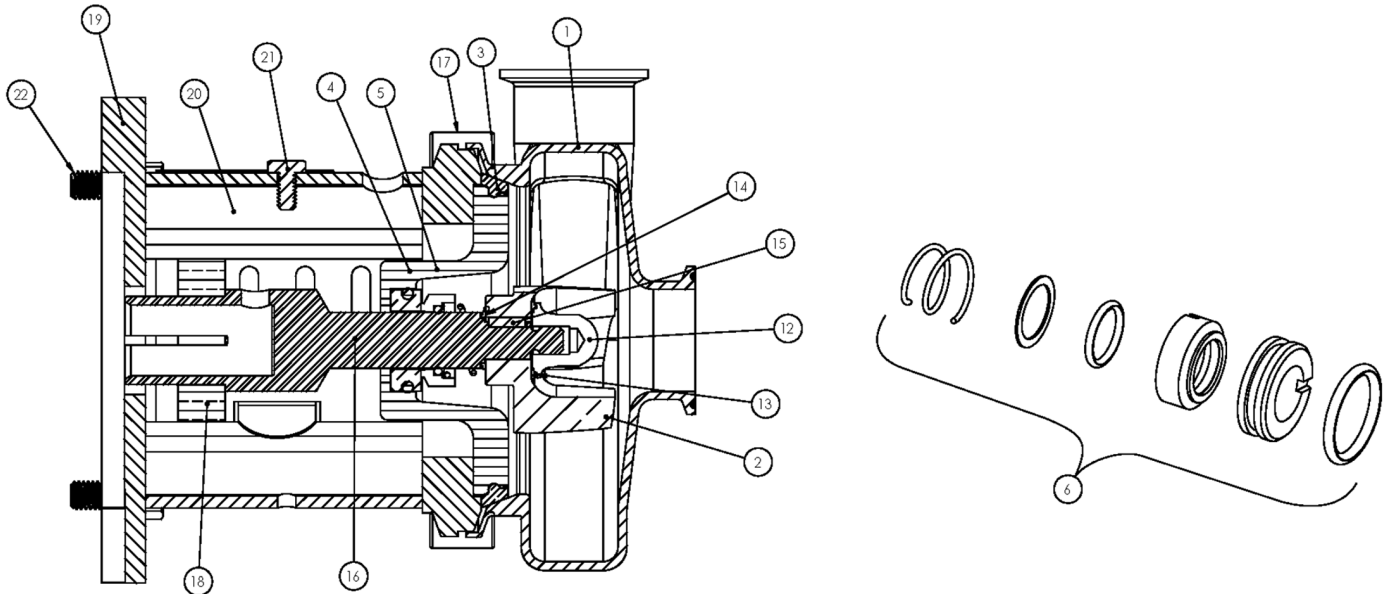
Ref #	Component Item No.	Description	Qty Per
1	S114M-01C-316L	CASING,1-1/2X1-1/2,TRI-CLMP C114/C+114	1
	<i>S114T-01C</i>	<i>CASING,1-1/2X1-1/2,BVL SEAT C114/C+114</i>	1
	<i>S114MI-01C</i>	<i>CASING,1-1/2X1-1/2,GLASS BEAD C114/C+114</i>	1
	<i>S114S-01C</i>	<i>CASING,1-1/2X1-1/2,NPT C114/C+114</i>	1
	<i>S114F-01D</i>	<i>CASING,1-1/2X1-1/2,FLNGD C114/C+114</i>	1
2	S114-02CP-316L	IMPELLER,+114/+214 C+/IC+	1
3	S114-90A-U	GASKET,114,CASING,BUNA C C+	1
	<i>S114-90A-E</i>	<i>GASKET,114,CASING,EPDM C C+</i>	1
	<i>S114-90A-V</i>	<i>GASKET,114,CASING,VIT C C+</i>	1
4	114IC+11-316	BACKPLATE,114 IC+	1
6	GS8101150	KIT,114/214, SC/CA/VI CB+	1
12	S114-91C-316L	NUT,+114/+214,IMP C+	1
13	S114-25A-U	GASKET,114,IMP NUT,BUNA C C+	1
	<i>S114-25A-E</i>	<i>GASKET,114,IMP NUT,EPDM C+</i>	1
	<i>S114-25A-V</i>	<i>GASKET,114,IMP NUT,VIT C+</i>	1
14	S114-25B-U	GASKET,114,IMP,BACK,BUNA C+	1
	<i>S114-25B-E</i>	<i>GASKET,114,IMP,BACK,EPDM C C+</i>	1
	<i>S114-25B-V</i>	<i>GASKET,114,IMP,BACK,VIT C+</i>	1
15	S114-95C-316L	KEY,IMP,114/214 C+	1
16	C114E-14TP-06	STUBSHAFT,140TC C+114	1
17	S114-75AR-S	CLAMP,114,CASING C C+	1
18	SX18000013	COLLAR,56C/140TC,SHAFT L SEE ITEM NOTES	1
19	114E56T-71C-SS	ADAPTER,56C-140TC FRAME,SS C114/C+114	1
20	C114-56T-131A-S	GUARD,SEAL,114/214,SS C C+ CB+ IC+ 056C	1
21	GX5079600	CAPSCRW,HX,1/4-20X1/2,18-8SS HX HD	1
22	GX5077100	CAPSCRW,HX,3/8-16X1,18-8SS HX HD	4



Exploded View

Optional Items Shown in ITALICS

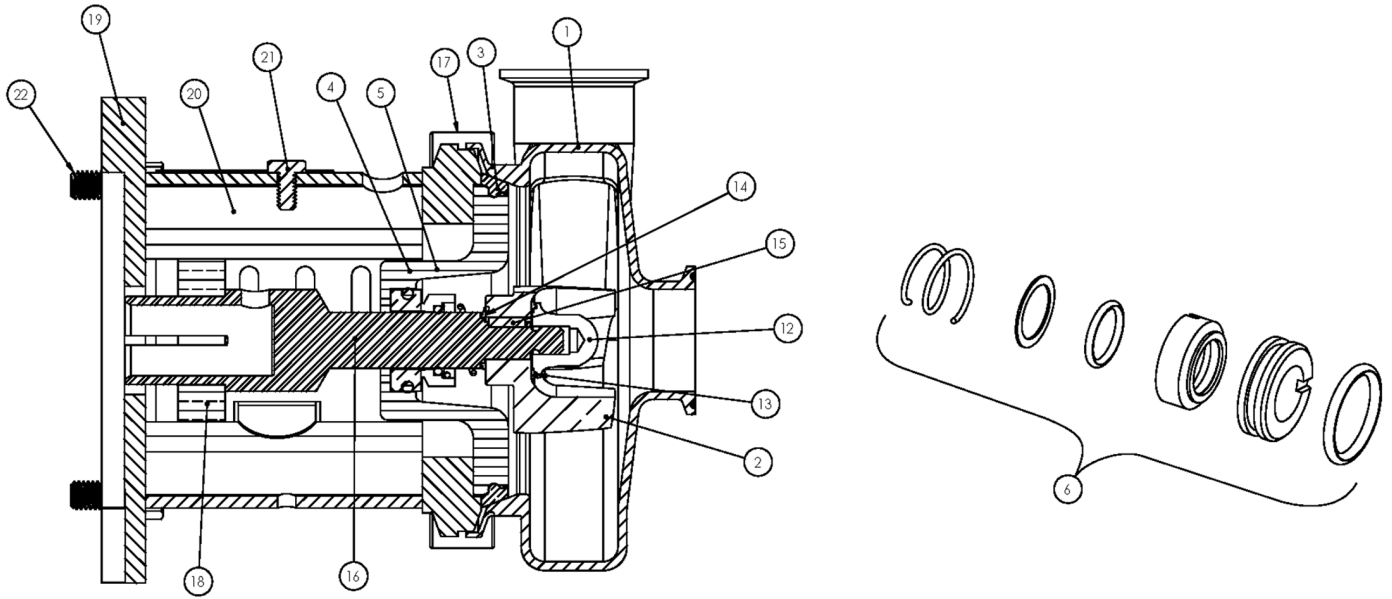
Ref #	Component Item No.	Description	Qty Per
1	S114M-01C-316L	CASING,1-1/2X1-1/2,TRI-CLMP C114/C+114	1
	<i>S114T-01C</i>	<i>CASING,1-1/2X1-1/2,BVL SEAT C114/C+114</i>	1
	<i>S114MI-01C</i>	<i>CASING,1-1/2X1-1/2,GLASS BEAD C114/C+114</i>	1
	<i>S114S-01C</i>	<i>CASING,1-1/2X1-1/2,NPT C114/C+114</i>	1
	<i>S114F-01D</i>	<i>CASING,1-1/2X1-1/2,FLNGD C114/C+114</i>	1
2	S114-02CP-316L	IMPELLER,+114/+214 C+/IC+	1
3	S114-90A-U	GASKET,114,CASING,BUNA C C+	1
	<i>S114-90A-E</i>	<i>GASKET,114,CASING,EPDM C C+</i>	1
	<i>S114-90A-V</i>	<i>GASKET,114,CASING,VIT C C+</i>	1
4	114IC+11-316	BACKPLATE,114 IC+	1
6	GS8101150	KIT,114/214, SC/CA/VI CB+	1
12	S114-91C-316L	NUT,+114/+214,IMP C+	1
13	S114-25A-U	GASKET,114,IMP NUT,BUNA C C+	1
	<i>S114-25A-E</i>	<i>GASKET,114,IMP NUT,EPDM C+</i>	1
	<i>S114-25A-V</i>	<i>GASKET,114,IMP NUT,VIT C+</i>	1
14	S114-25B-U	GASKET,114,IMP,BACK,BUNA C+	1
	<i>S114-25B-E</i>	<i>GASKET,114,IMP,BACK,EPDM C C+</i>	1
	<i>S114-25B-V</i>	<i>GASKET,114,IMP,BACK,VIT C+</i>	1
15	S114-95C-316L	KEY,IMP,114/214 C+	1
16	C114E-18TP-06	STUBSHAFT,180TC C+114	1
17	S114-75AR-S	CLAMP,114,CASING C C+	1
18	SX18000014	COLLAR,180TC,SHAFT LC	1
19	114E-18T-71C-SS	ADAPTER,180TC FRAME,SS C114/C+114	1
20	C114-56T-131A-S	GUARD,SEAL,114/214,SS C C+ CB+ IC+ 056C	1
21	GX5079600	CAPSCRW,HX,1/4-20X1/2,18-8SS HX HD	1
22	SC1710H-SS	CAPSCRW,HX,1/2-13X1,18-8SS HX HD	4



Exploded View

Optional Items Shown in ITALICS

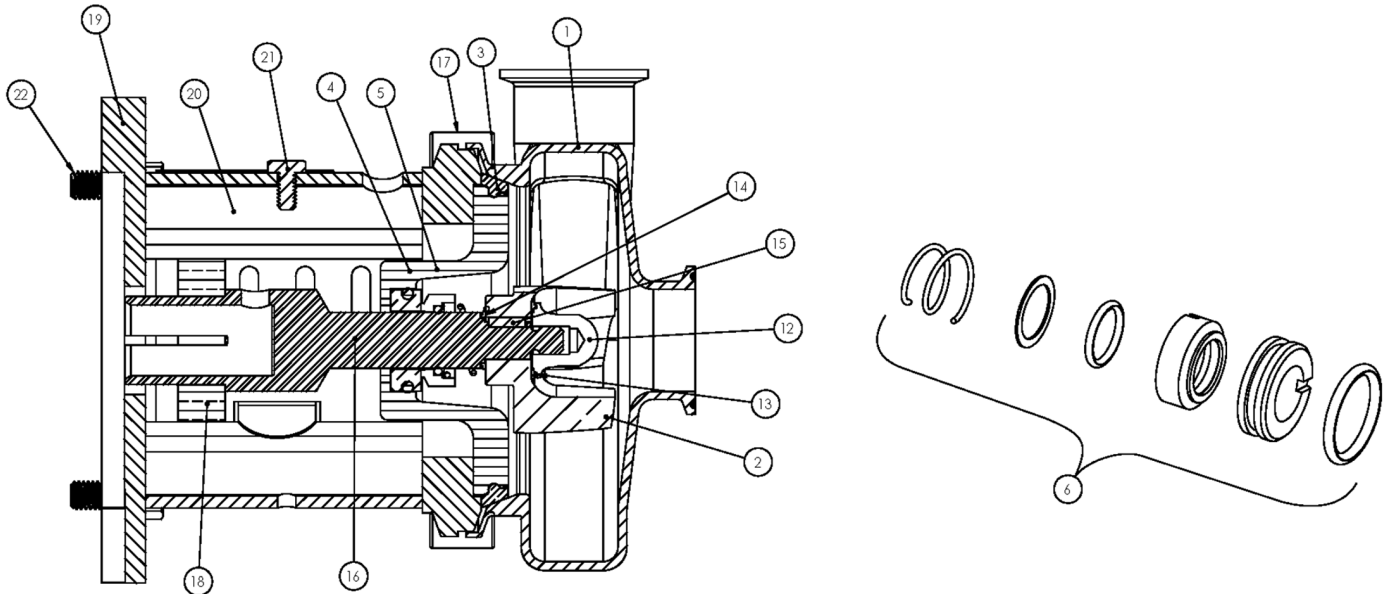
Ref #	Component Item No.	Description	Qty Per
1	S114M-01C-316L	CASING,1-1/2X1-1/2,TRI-CLMP C114/C+114	1
	<i>S114T-01C</i>	<i>CASING,1-1/2X1-1/2,BVL SEAT C114/C+114</i>	1
	<i>S114MI-01C</i>	<i>CASING,1-1/2X1-1/2,GLASS BEAD C114/C+114</i>	1
	<i>S114S-01C</i>	<i>CASING,1-1/2X1-1/2,NPT C114/C+114</i>	1
	<i>S114F-01D</i>	<i>CASING,1-1/2X1-1/2,FLNGD C114/C+114</i>	1
2	S114-02CP-316L	IMPELLER,+114/+214 C+/IC+	1
3	S114-90A-U	GASKET,114,CASING,BUNA C C+	1
	<i>S114-90A-E</i>	<i>GASKET,114,CASING,EPDM C C+</i>	1
	<i>S114-90A-V</i>	<i>GASKET,114,CASING,VIT C C+</i>	1
4	114IC+11-316	BACKPLATE,114 IC+	1
6	GS8101150	KIT,114/214, SC/CA/VI CB+	1
12	GX5515000	NUT,HEX,M12-1.75,18-8SS HEX NUT	4
	S114-91C-316L	NUT,+114/+214,IMP C+	1
13	S114-25A-U	GASKET,114,IMP NUT,BUNA C C+	1
	<i>S114-25A-E</i>	<i>GASKET,114,IMP NUT,EPDM C+</i>	1
	<i>S114-25A-V</i>	<i>GASKET,114,IMP NUT,VIT C+</i>	1
14	S114-25B-U	GASKET,114,IMP,BACK,BUNA C+	1
	<i>S114-25B-E</i>	<i>GASKET,114,IMP,BACK,EPDM C C+</i>	1
	<i>S114-25B-V</i>	<i>GASKET,114,IMP,BACK,VIT C+</i>	1
15	S114-95C-316L	KEY,IMP,114/214 C+	1
16	C114E-80TP-06	STUBSHAFT,80 IEC METRIC C+114	1
17	S114-75AR-S	CLAMP,114,CASING C C+	1
18	SX18000813	COLLAR,80/90 IEC,SHAFT,MTRIC	1
19	114E80T-71C-SS	ADAPTER,80 IEC B5 FRAME,SS C114/C+114	1
20	C114-56T-131A-S	GUARD,SEAL,114/214,SS C C+ CB+ IC+ 056C	1
22	GX5515135	CAPSCRW,HX,M12-1.75X45MM,18-8S HX HD	4
37	GX5515010	WASHER,LOCK,M12,18-8SS	4



Exploded View

Optional Items Shown in ITALICS

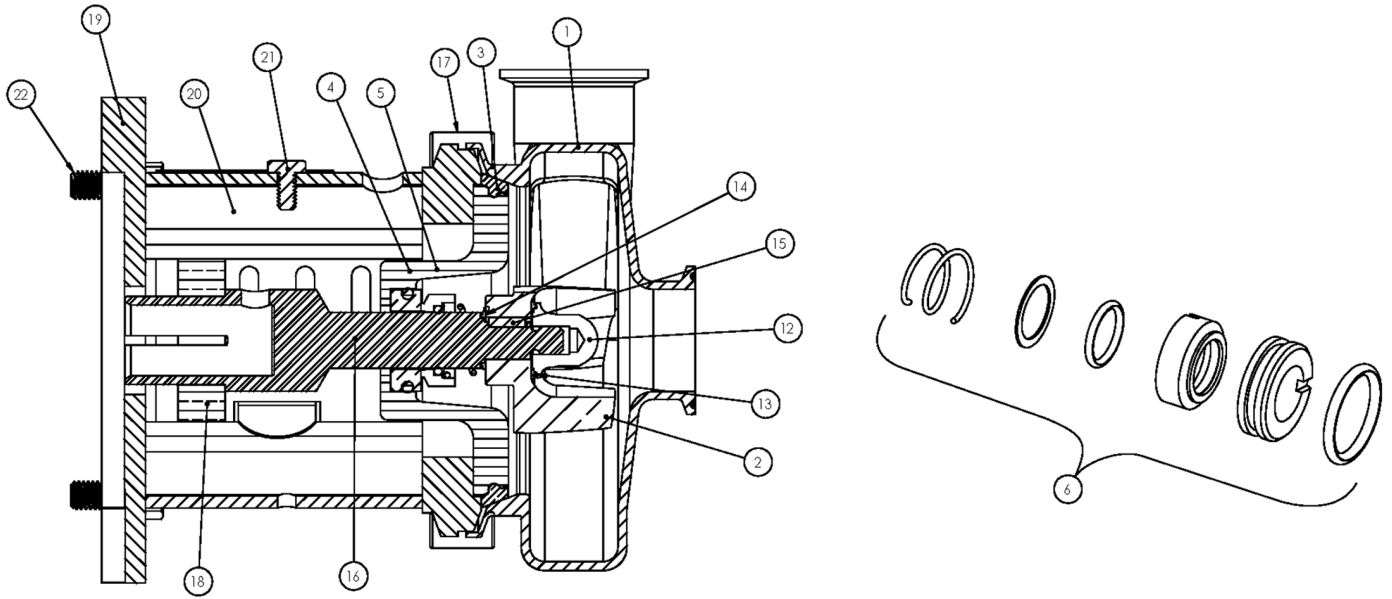
Ref #	Component Item No.	Description	Qty Per
38	<i>GX5515015</i>	<i>WASHER,FLAT,M12,18-8SS</i>	<i>8</i>



Exploded View

Optional Items Shown in ITALICS

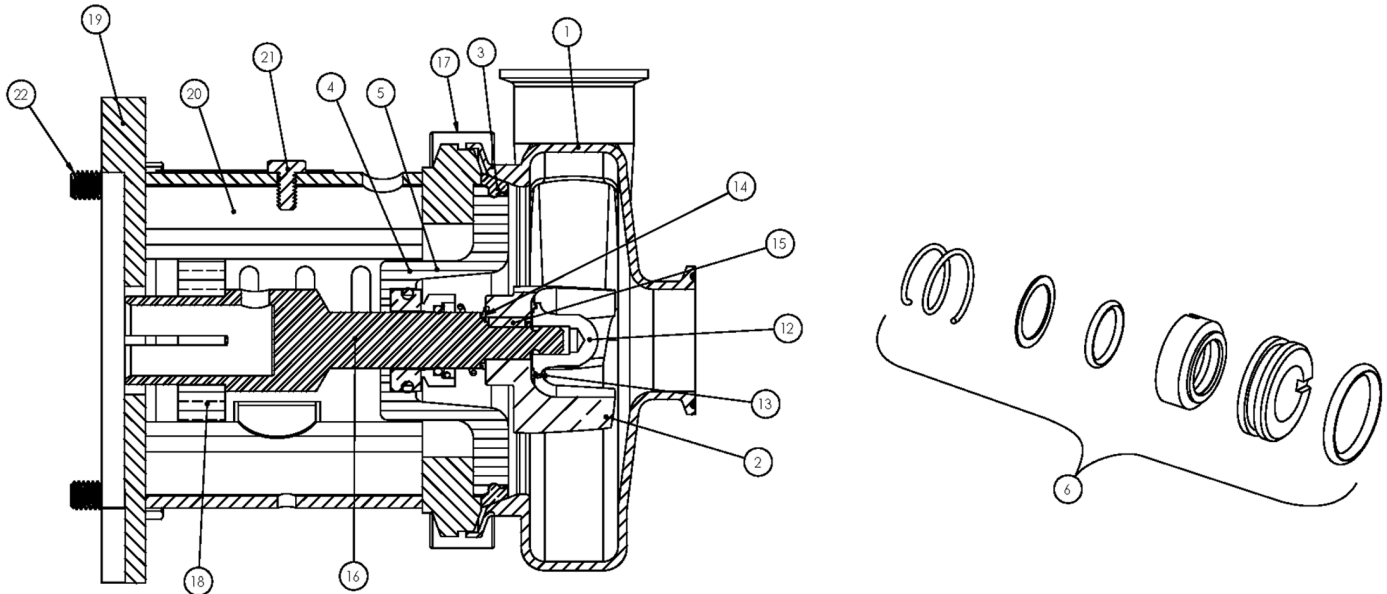
Ref #	Component Item No.	Description	Qty Per
1	S114M-01C-316L	CASING,1-1/2X1-1/2,TRI-CLMP C114/C+114	1
	<i>S114T-01C</i>	<i>CASING,1-1/2X1-1/2,BVL SEAT C114/C+114</i>	1
	<i>S114MI-01C</i>	<i>CASING,1-1/2X1-1/2,GLASS BEAD C114/C+114</i>	1
	<i>S114S-01C</i>	<i>CASING,1-1/2X1-1/2,NPT C114/C+114</i>	1
	<i>S114F-01D</i>	<i>CASING,1-1/2X1-1/2,FLNGD C114/C+114</i>	1
2	S114-02CP-316L	IMPELLER,+114/+214 C+/IC+	1
3	S114-90A-U	GASKET,114,CASING,BUNA C C+	1
	<i>S114-90A-E</i>	<i>GASKET,114,CASING,EPDM C C+</i>	1
	<i>S114-90A-V</i>	<i>GASKET,114,CASING,VIT C C+</i>	1
4	114IC+11-316	BACKPLATE,114 IC+	1
6	GS8101150	KIT,114/214, SC/CA/VI CB+	1
12	GX5515000	NUT,HEX,M12-1.75,18-8SS HEX NUT	4
	S114-91C-316L	NUT,+114/+214,IMP C+	1
13	S114-25A-U	GASKET,114,IMP NUT,BUNA C C+	1
	<i>S114-25A-E</i>	<i>GASKET,114,IMP NUT,EPDM C+</i>	1
	<i>S114-25A-V</i>	<i>GASKET,114,IMP NUT,VIT C+</i>	1
14	S114-25B-U	GASKET,114,IMP,BACK,BUNA C+	1
	<i>S114-25B-E</i>	<i>GASKET,114,IMP,BACK,EPDM C C+</i>	1
	<i>S114-25B-V</i>	<i>GASKET,114,IMP,BACK,VIT C+</i>	1
15	S114-95C-316L	KEY,IMP,114/214 C+	1
16	C114E-90TP-06	STUBSHAFT,90 IEC METRIC C+114	1
17	S114-75AR-S	CLAMP,114,CASING C C+	1
18	SX18000813	COLLAR,80/90 IEC,SHAFT,MTRIC	1
19	114E90T71CSS-B5	ADAPTER,90 IEC B5 FRAME,SS C114/C+114	1
20	C114-56T-131A-S	GUARD,SEAL,114/214,SS C C+ CB+ IC+ 056C	1
22	GX5515135	CAPSCRW,HX,M12-1.75X45MM,18-8S HX HD	4
37	GX5515010	WASHER,LOCK,M12,18-8SS	4



Exploded View

Optional Items Shown in ITALICS

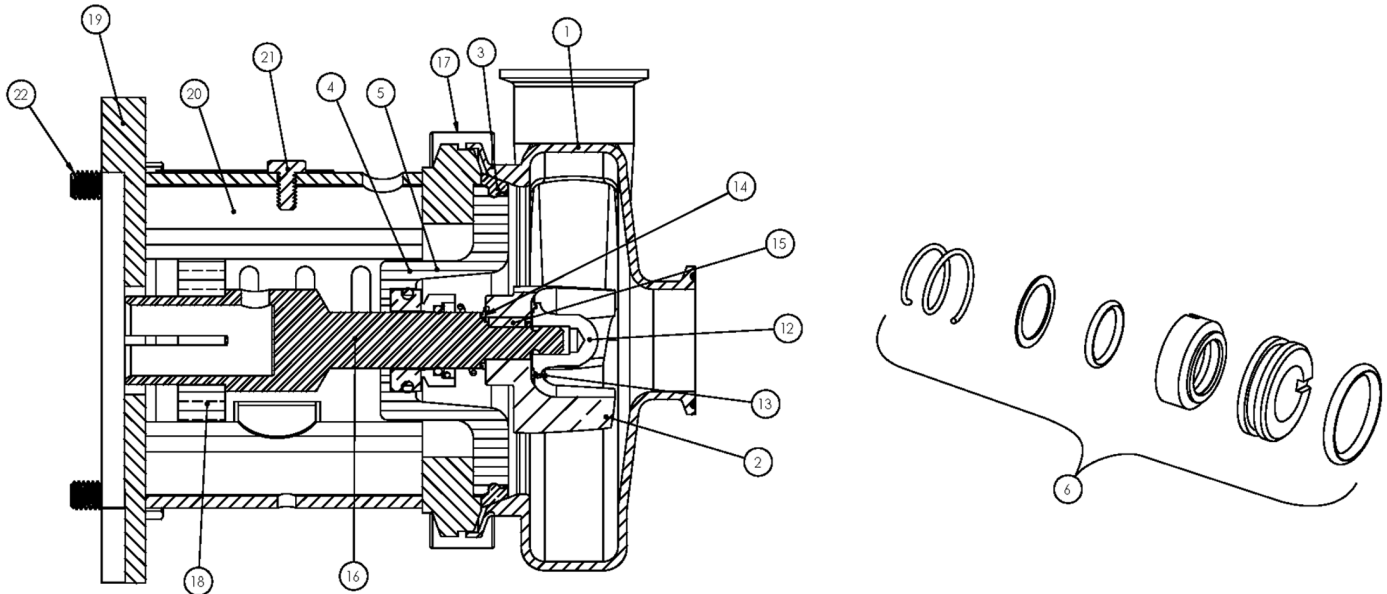
Ref #	Component Item No.	Description	Qty Per
38	GX5515015	WASHER,FLAT,M12,18-8SS	8



Exploded View

Optional Items Shown in ITALICS

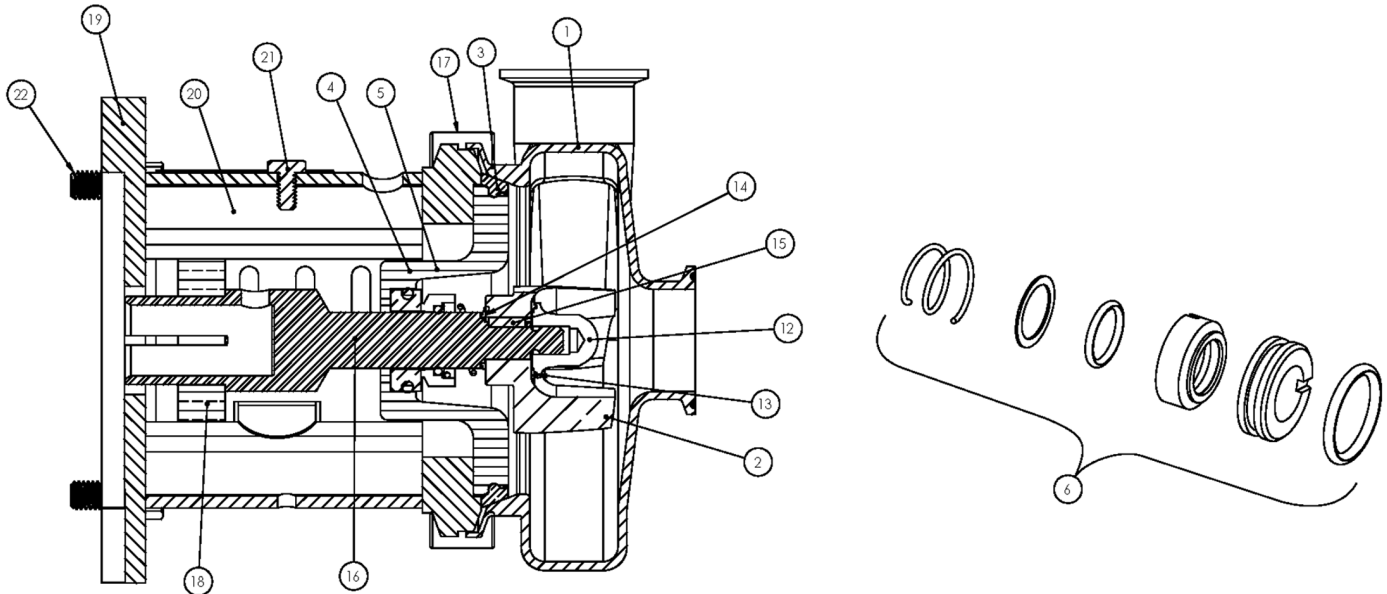
Ref #	Component Item No.	Description	Qty Per
1	S214M-01C-E	CASING,2X1-1/2,TRI-CLMP C214/C+214	1
	<i>S214T-01C-E</i>	<i>CASING,2X1-1/2,BVL SEAT C214/C+214</i>	1
	<i>S214MI-01C-E</i>	<i>CASING,2X1-1/2,CLMP GLASS BEAD</i>	1
	<i>S214S-01C-E</i>	<i>CASING,2X1-1/2,NPT C214/C+214</i>	1
	<i>S214F-01D-E</i>	<i>CASING,2X1-1/2,FLNGD C214/C+214</i>	1
2	S114-02CP-316L	IMPELLER,+114/+214 C+/IC+	1
3	S114-90A-U	GASKET,114,CASING,BUNA C C+	1
	<i>S114-90A-E</i>	<i>GASKET,114,CASING,EPDM C C+</i>	1
	<i>S114-90A-V</i>	<i>GASKET,114,CASING,VIT C C+</i>	1
4	114IC+11-316	BACKPLATE,114 IC+	1
6	GS8101150	KIT,114/214, SC/CA/VI CB+	1
12	S114-91C-316L	NUT,+114/+214,IMP C+	1
13	S114-25A-U	GASKET,114,IMP NUT,BUNA C C+	1
	<i>S114-25A-E</i>	<i>GASKET,114,IMP NUT,EPDM C+</i>	1
	<i>S114-25A-V</i>	<i>GASKET,114,IMP NUT,VIT C+</i>	1
14	S114-25B-U	GASKET,114,IMP,BACK,BUNA C+	1
	<i>S114-25B-E</i>	<i>GASKET,114,IMP,BACK,EPDM C C+</i>	1
	<i>S114-25B-V</i>	<i>GASKET,114,IMP,BACK,VIT C+</i>	1
15	S114-95C-316L	KEY,IMP,114/214 C+	1
16	C114E-56TP-06	STUBSHAFT,56C C+114	1
17	S114-75AR-S	CLAMP,114,CASING C C+	1
18	SX18000013	COLLAR,56C/140TC,SHAFT L SEE ITEM NOTES	1
19	114E56T-71C-SS	ADAPTER,56C-140TC FRAME,SS C114/C+114	1
20	C114-56T-131A-S	GUARD,SEAL,114/214,SS C C+ CB+ IC+ 056C	1
21	GX5079600	CAPSCRW,HX,1/4-20X1/2,18-8SS HX HD	1
22	GX5077100	CAPSCRW,HX,3/8-16X1,18-8SS HX HD	4



Exploded View

Optional Items Shown in ITALICS

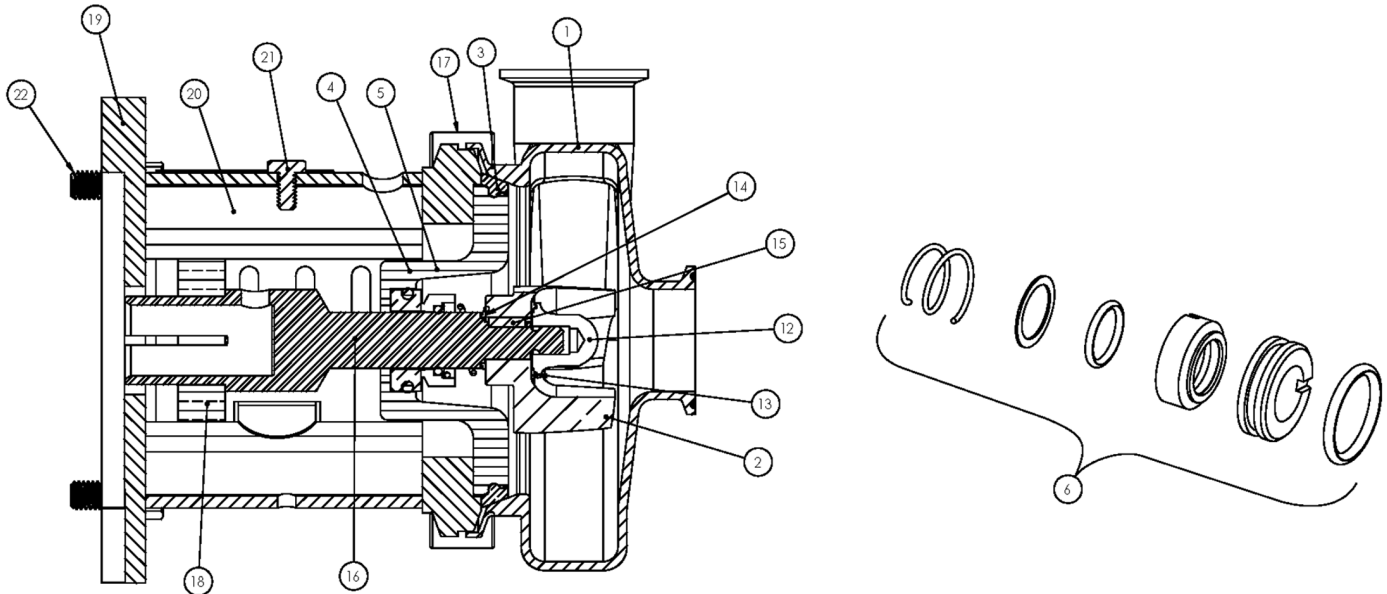
Ref #	Component Item No.	Description	Qty Per
1	S214M-01C-E	CASING,2X1-1/2,TRI-CLMP C214/C+214	1
	<i>S214T-01C-E</i>	<i>CASING,2X1-1/2,BVL SEAT C214/C+214</i>	1
	<i>S214MI-01C-E</i>	<i>CASING,2X1-1/2,CLMP GLASS BEAD</i>	1
	<i>S214S-01C-E</i>	<i>CASING,2X1-1/2,NPT C214/C+214</i>	1
	<i>S214F-01D-E</i>	<i>CASING,2X1-1/2,FLNGD C214/C+214</i>	1
2	S114-02CP-316L	IMPELLER,+114/+214 C+/IC+	1
3	S114-90A-U	GASKET,114,CASING,BUNA C C+	1
	<i>S114-90A-E</i>	<i>GASKET,114,CASING,EPDM C C+</i>	1
	<i>S114-90A-V</i>	<i>GASKET,114,CASING,VIT C C+</i>	1
4	114IC+11-316	BACKPLATE,114 IC+	1
6	GS8101150	KIT,114/214, SC/CA/VI CB+	1
12	S114-91C-316L	NUT,+114/+214,IMP C+	1
13	S114-25A-U	GASKET,114,IMP NUT,BUNA C C+	1
	<i>S114-25A-E</i>	<i>GASKET,114,IMP NUT,EPDM C+</i>	1
	<i>S114-25A-V</i>	<i>GASKET,114,IMP NUT,VIT C+</i>	1
14	S114-25B-U	GASKET,114,IMP,BACK,BUNA C+	1
	<i>S114-25B-E</i>	<i>GASKET,114,IMP,BACK,EPDM C C+</i>	1
	<i>S114-25B-V</i>	<i>GASKET,114,IMP,BACK,VIT C+</i>	1
15	S114-95C-316L	KEY,IMP,114/214 C+	1
16	C114E-14TP-06	STUBSHAFT,140TC C+114	1
17	S114-75AR-S	CLAMP,114,CASING C C+	1
18	SX18000013	COLLAR,56C/140TC,SHAFT L SEE ITEM NOTES	1
19	114E56T-71C-SS	ADAPTER,56C-140TC FRAME,SS C114/C+114	1
20	C114-56T-131A-S	GUARD,SEAL,114/214,SS C C+ CB+ IC+ 056C	1
21	GX5079600	CAPSCRW,HX,1/4-20X1/2,18-8SS HX HD	1
22	GX5077100	CAPSCRW,HX,3/8-16X1,18-8SS HX HD	4



Exploded View

Optional Items Shown in ITALICS

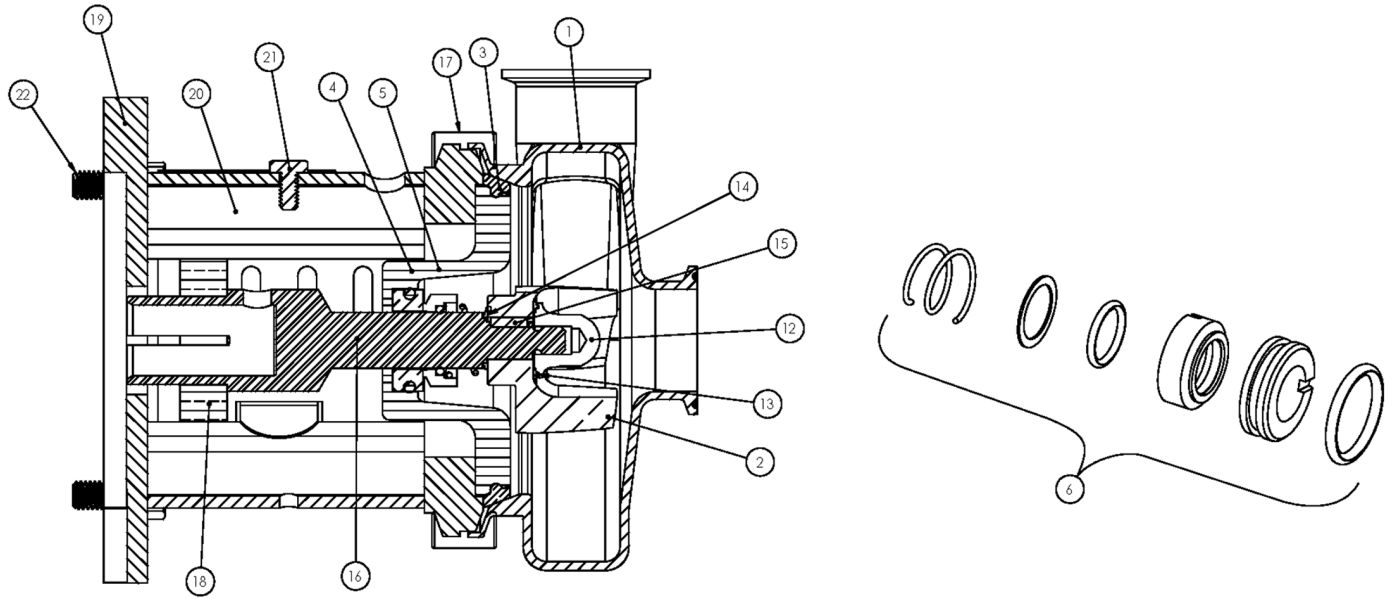
Ref #	Component Item No.	Description	Qty Per
1	S214M-01C-E	CASING,2X1-1/2,TRI-CLMP C214/C+214	1
	<i>S214T-01C-E</i>	<i>CASING,2X1-1/2,BVL SEAT C214/C+214</i>	1
	<i>S214MI-01C-E</i>	<i>CASING,2X1-1/2,CLMP GLASS BEAD</i>	1
	<i>S214S-01C-E</i>	<i>CASING,2X1-1/2,NPT C214/C+214</i>	1
	<i>S214F-01D-E</i>	<i>CASING,2X1-1/2,FLNGD C214/C+214</i>	1
2	S114-02CP-316L	IMPELLER,+114/+214 C+/IC+	1
3	S114-90A-U	GASKET,114,CASING,BUNA C C+	1
	<i>S114-90A-E</i>	<i>GASKET,114,CASING,EPDM C C+</i>	1
	<i>S114-90A-V</i>	<i>GASKET,114,CASING,VIT C C+</i>	1
4	114IC+11-316	BACKPLATE,114 IC+	1
6	GS8101150	KIT,114/214, SC/CA/VI CB+	1
12	S114-91C-316L	NUT,+114/+214,IMP C+	1
13	S114-25A-U	GASKET,114,IMP NUT,BUNA C C+	1
	<i>S114-25A-E</i>	<i>GASKET,114,IMP NUT,EPDM C+</i>	1
	<i>S114-25A-V</i>	<i>GASKET,114,IMP NUT,VIT C+</i>	1
14	S114-25B-U	GASKET,114,IMP,BACK,BUNA C+	1
	<i>S114-25B-E</i>	<i>GASKET,114,IMP,BACK,EPDM C C+</i>	1
	<i>S114-25B-V</i>	<i>GASKET,114,IMP,BACK,VIT C+</i>	1
15	S114-95C-316L	KEY,IMP,114/214 C+	1
16	C114E-18TP-06	STUBSHAFT,180TC C+114	1
17	S114-75AR-S	CLAMP,114,CASING C C+	1
18	SX18000014	COLLAR,180TC,SHAFT LC	1
19	114E-18T-71C-SS	ADAPTER,180TC FRAME,SS C114/C+114	1
20	C114-56T-131A-S	GUARD,SEAL,114/214,SS C C+ CB+ IC+ 056C	1
21	GX5079600	CAPSCRW,HX,1/4-20X1/2,18-8SS HX HD	1
22	SC1710H-SS	CAPSCRW,HX,1/2-13X1,18-8SS HX HD	4



Exploded View

Optional Items Shown in ITALICS

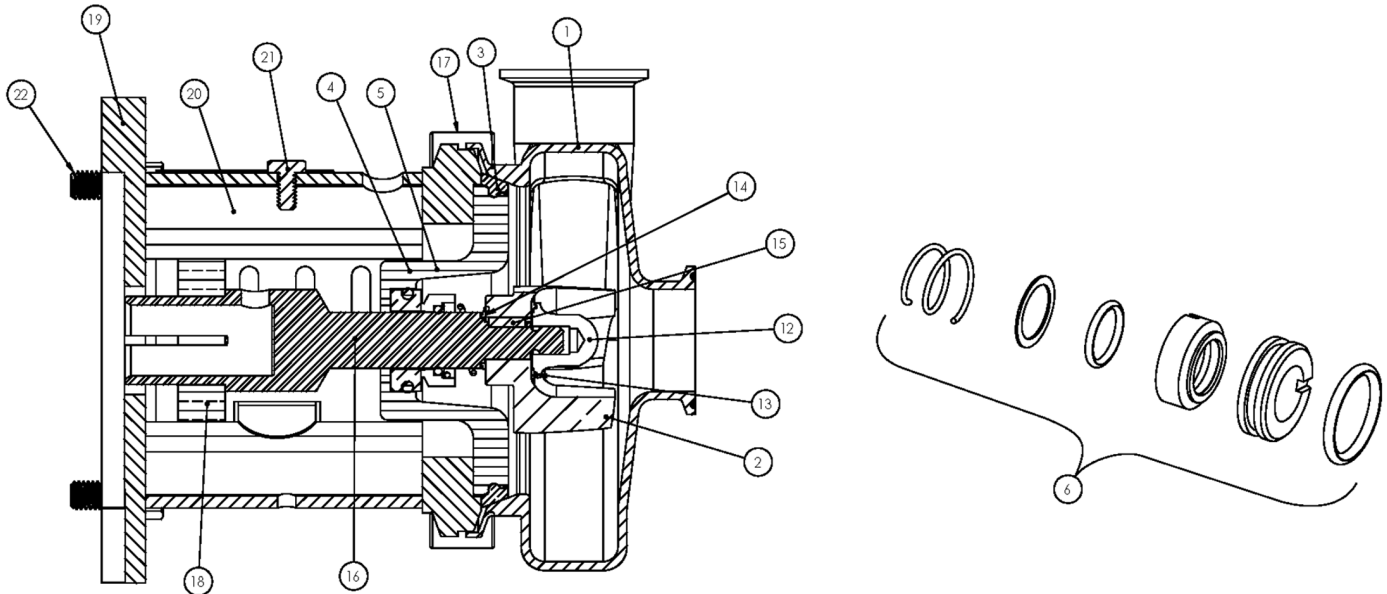
Ref #	Component Item No.	Description	Qty Per
1	S214M-01C-E	CASING,2X1-1/2,TRI-CLMP C214/C+214	1
	<i>S214T-01C-E</i>	<i>CASING,2X1-1/2,BVL SEAT C214/C+214</i>	1
	<i>S214MI-01C-E</i>	<i>CASING,2X1-1/2,CLMP GLASS BEAD</i>	1
	<i>S214S-01C-E</i>	<i>CASING,2X1-1/2,NPT C214/C+214</i>	1
	<i>S214F-01D-E</i>	<i>CASING,2X1-1/2,FLNGD C214/C+214</i>	1
2	S114-02CP-316L	IMPELLER,+114/+214 C+/IC+	1
3	S114-90A-U	GASKET,114,CASING,BUNA C C+	1
	<i>S114-90A-E</i>	<i>GASKET,114,CASING,EPDM C C+</i>	1
	<i>S114-90A-V</i>	<i>GASKET,114,CASING,VIT C C+</i>	1
4	114IC+11-316	BACKPLATE,114 IC+	1
6	GS8101150	KIT,114/214, SC/CA/VI CB+	1
12	GX5515000	NUT,HEX,M12-1.75,18-8SS HEX NUT	4
	S114-91C-316L	NUT,+114/+214,IMP C+	1
13	S114-25A-U	GASKET,114,IMP NUT,BUNA C C+	1
	<i>S114-25A-E</i>	<i>GASKET,114,IMP NUT,EPDM C+</i>	1
	<i>S114-25A-V</i>	<i>GASKET,114,IMP NUT,VIT C+</i>	1
14	S114-25B-U	GASKET,114,IMP,BACK,BUNA C+	1
	<i>S114-25B-E</i>	<i>GASKET,114,IMP,BACK,EPDM C C+</i>	1
	<i>S114-25B-V</i>	<i>GASKET,114,IMP,BACK,VIT C+</i>	1
15	S114-95C-316L	KEY,IMP,114/214 C+	1
16	C114E-80TP-06	STUBSHAFT,80 IEC METRIC C+114	1
17	S114-75AR-S	CLAMP,114,CASING C C+	1
18	SX18000813	COLLAR,80/90 IEC,SHAFT,MTRIC	1
19	114E80T-71C-SS	ADAPTER,80 IEC B5 FRAME,SS C114/C+114	1
20	C114-56T-131A-S	GUARD,SEAL,114/214,SS C C+ CB+ IC+ 056C	1
22	GX5515135	CAPSCRW,HX,M12-1.75X45MM,18-8S HX HD	4
37	GX5515010	WASHER,LOCK,M12,18-8SS	4



Exploded View

Optional Items Shown in ITALICS

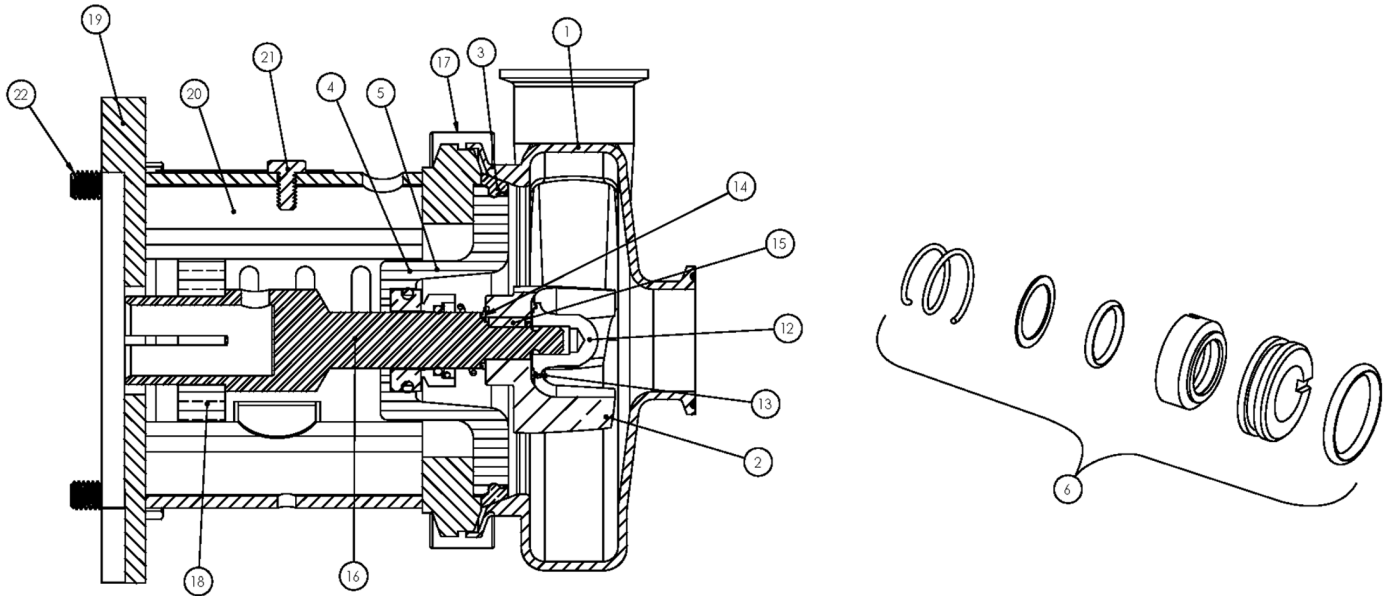
Ref #	Component Item No.	Description	Qty Per
38	GX5515015	WASHER,FLAT,M12,18-8SS	8



Exploded View

Optional Items Shown in ITALICS

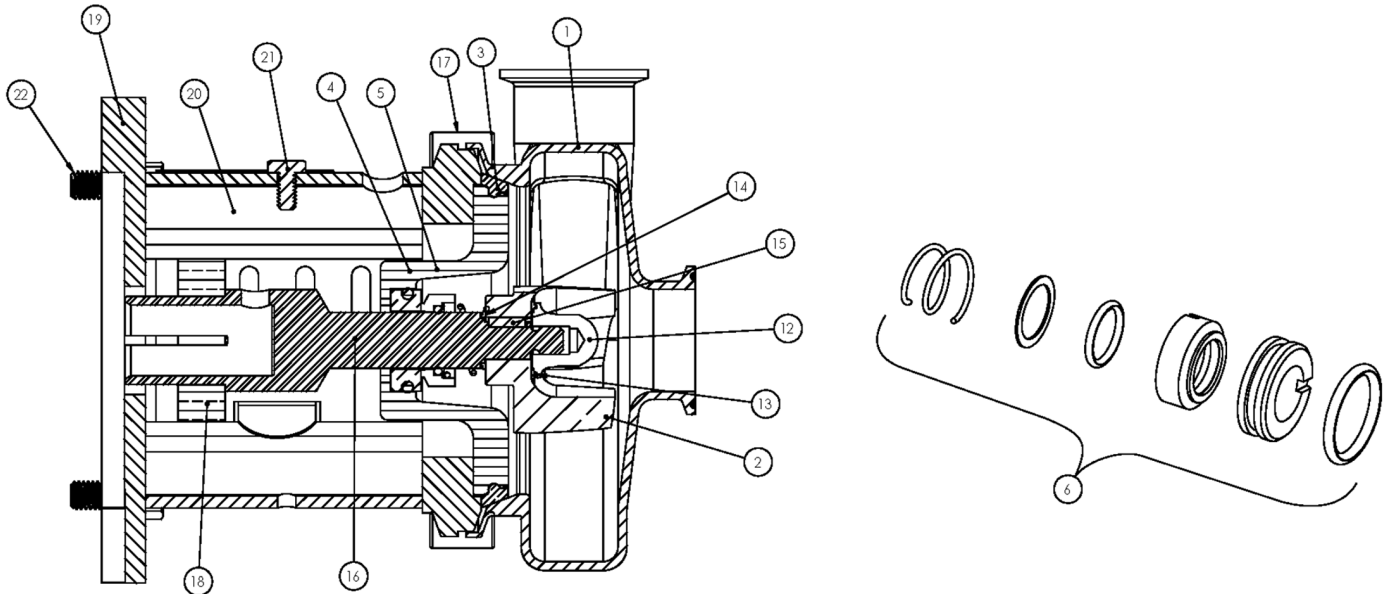
Ref #	Component Item No.	Description	Qty Per
1	S214M-01C-E	CASING,2X1-1/2,TRI-CLMP C214/C+214	1
	<i>S214T-01C-E</i>	<i>CASING,2X1-1/2,BVL SEAT C214/C+214</i>	1
	<i>S214MI-01C-E</i>	<i>CASING,2X1-1/2,CLMP GLASS BEAD</i>	1
	<i>S214S-01C-E</i>	<i>CASING,2X1-1/2,NPT C214/C+214</i>	1
	<i>S214F-01D-E</i>	<i>CASING,2X1-1/2,FLNGD C214/C+214</i>	1
2	S114-02CP-316L	IMPELLER,+114/+214 C+/IC+	1
3	S114-90A-U	GASKET,114,CASING,BUNA C C+	1
	<i>S114-90A-E</i>	<i>GASKET,114,CASING,EPDM C C+</i>	1
	<i>S114-90A-V</i>	<i>GASKET,114,CASING,VIT C C+</i>	1
4	114IC+11-316	BACKPLATE,114 IC+	1
6	GS8101150	KIT,114/214, SC/CA/VI CB+	1
12	GX5515000	NUT,HEX,M12-1.75,18-8SS HEX NUT	4
	S114-91C-316L	NUT,+114/+214,IMP C+	1
13	S114-25A-U	GASKET,114,IMP NUT,BUNA C C+	1
	<i>S114-25A-E</i>	<i>GASKET,114,IMP NUT,EPDM C+</i>	1
	<i>S114-25A-V</i>	<i>GASKET,114,IMP NUT,VIT C+</i>	1
14	S114-25B-U	GASKET,114,IMP,BACK,BUNA C+	1
	<i>S114-25B-E</i>	<i>GASKET,114,IMP,BACK,EPDM C C+</i>	1
	<i>S114-25B-V</i>	<i>GASKET,114,IMP,BACK,VIT C+</i>	1
15	S114-95C-316L	KEY,IMP,114/214 C+	1
16	C114E-90TP-06	STUBSHAFT,90 IEC METRIC C+114	1
17	S114-75AR-S	CLAMP,114,CASING C C+	1
18	SX18000813	COLLAR,80/90 IEC,SHAFT,MTRIC	1
19	114E90T71CSS-B5	ADAPTER,90 IEC B5 FRAME,SS C114/C+114	1
20	C114-56T-131A-S	GUARD,SEAL,114/214,SS C C+ CB+ IC+ 056C	1
22	GX5515135	CAPSCRW,HX,M12-1.75X45MM,18-8S HX HD	4
37	GX5515010	WASHER,LOCK,M12,18-8SS	4



Exploded View

Optional Items Shown in ITALICS

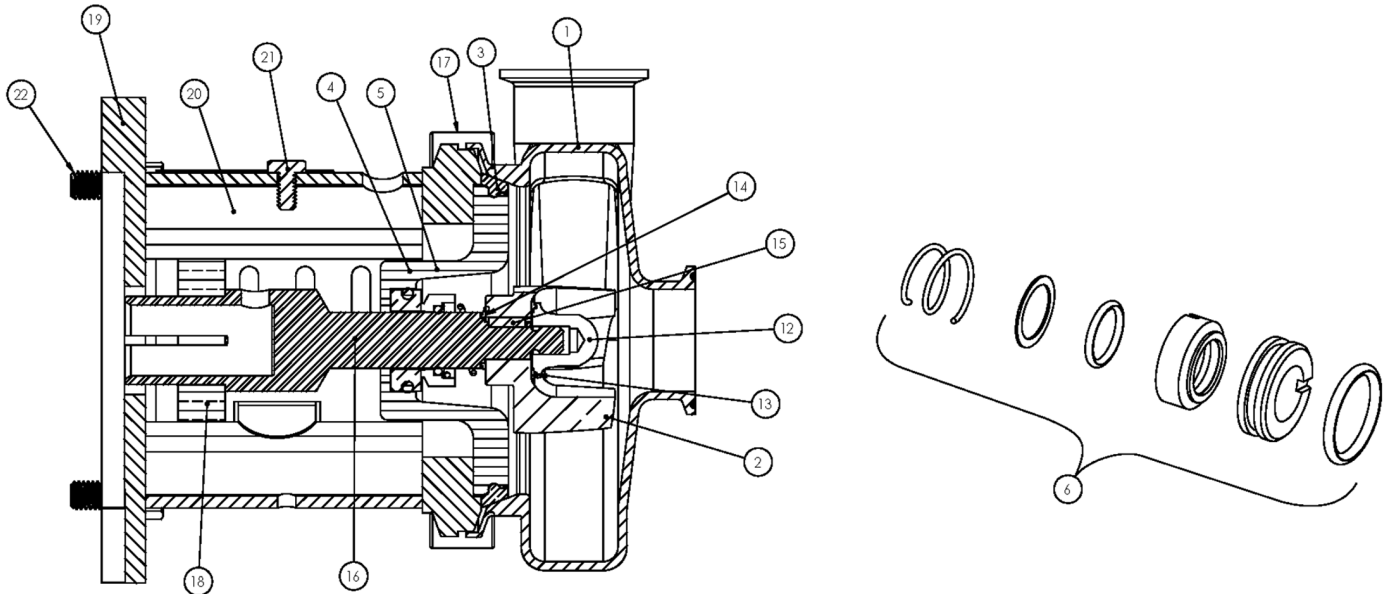
Ref #	Component Item No.	Description	Qty Per
38	GX5515015	WASHER,FLAT,M12,18-8SS	8



Exploded View

Optional Items Shown in ITALICS

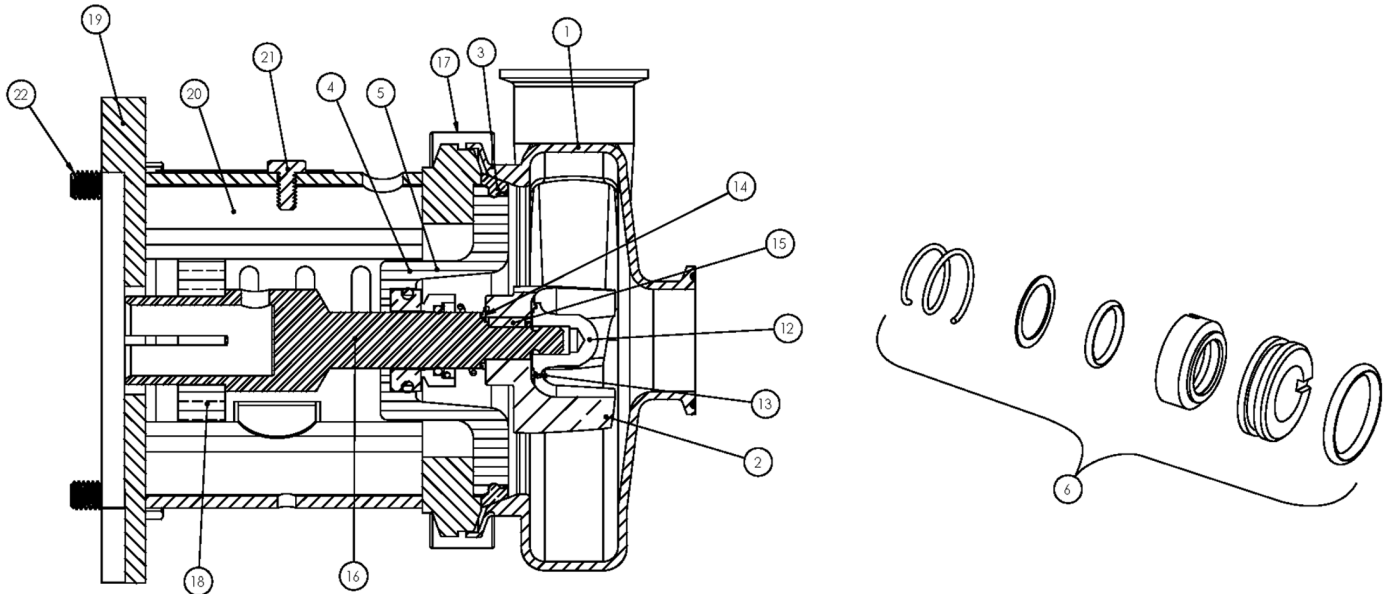
Ref #	Component Item No.	Description	Qty Per
1	S216M-01C-316L	CASING,2X1-1/2,TRI-CLMP C216/C+216	1
	<i>S216T-01C</i>	<i>CASING,2X1-1/2,BVL SEAT C216/C+216</i>	1
	<i>S216MI-01C</i>	<i>CASING,2X1-1/2,CLMP GLASS BEAD C216/C+216</i>	1
	<i>S216S-01C</i>	<i>CASING,2X1-1/2,NPT C216/C+216</i>	1
	<i>S216F-01D</i>	<i>CASING,2X1-1/2,FLNGD C216/C+216</i>	1
2	S216-02CP-316L	IMPELLER,+216/+316 C+ CB+ IC+	1
3	S216-90A-U	GASKET,216,CASING,BUNA C C+	1
	<i>S216-90A-E</i>	<i>GASKET,216,CASING,EPDM C C+</i>	1
	<i>S216-90A-V</i>	<i>GASKET,216,CASING,VIT C C+</i>	1
4	216IC+11-316	BACKPLATE,216 IC+	1
5	216D-11-1-S	PIN,BACKPLT,114/216/328 C C+	2
6	GS8101250	KIT,216/316,SC/CA/VI CB+	1
12	S216-91C-316L	NUT,+216/+316/+2116,IMP C+ D	1
13	S216-25A-U	GASKET,216,IMP NUT,BUNA C+	1
	<i>S216-25A-E</i>	<i>GASKET,216,IMP NUT,EPDM C+</i>	1
	<i>S216-25A-V</i>	<i>GASKET,216,IMP NUT,VIT C+</i>	1
14	S216-25B-U	GASKET,216,IMP,BACK,BUNA C+	1
	<i>S216-25B-E</i>	<i>GASKET,216,IMP,BACK,EPDM C+</i>	1
	<i>S216-25B-V</i>	<i>GASKET,216,IMP,BACK,VIT C+</i>	1
15	S216-95C-316L	KEY, IMP,216 C+	1
16	C216E-56TP-06	STUBSHAFT,56C C+216	1
17	S216-75AR-S	CLAMP,216,CASING C C+	1
18	SX18000013	COLLAR,56C/140TC,SHAFT L SEE ITEM NOTES	1
19	216D56T-71C-SS	ADAPTER,56C-140TC,SS C216/C+216	1
20	C216-56T-131-S	GUARD,SEAL,216/316,SS C C+ CB+ IC+ 56C-140TC	1
21	GX5079600	CAPSCRW,HX,1/4-20X1/2,18-8SS HX HD	1
22	GX5077100	CAPSCRW,HX,3/8-16X1,18-8SS HX HD	4



Exploded View

Optional Items Shown in ITALICS

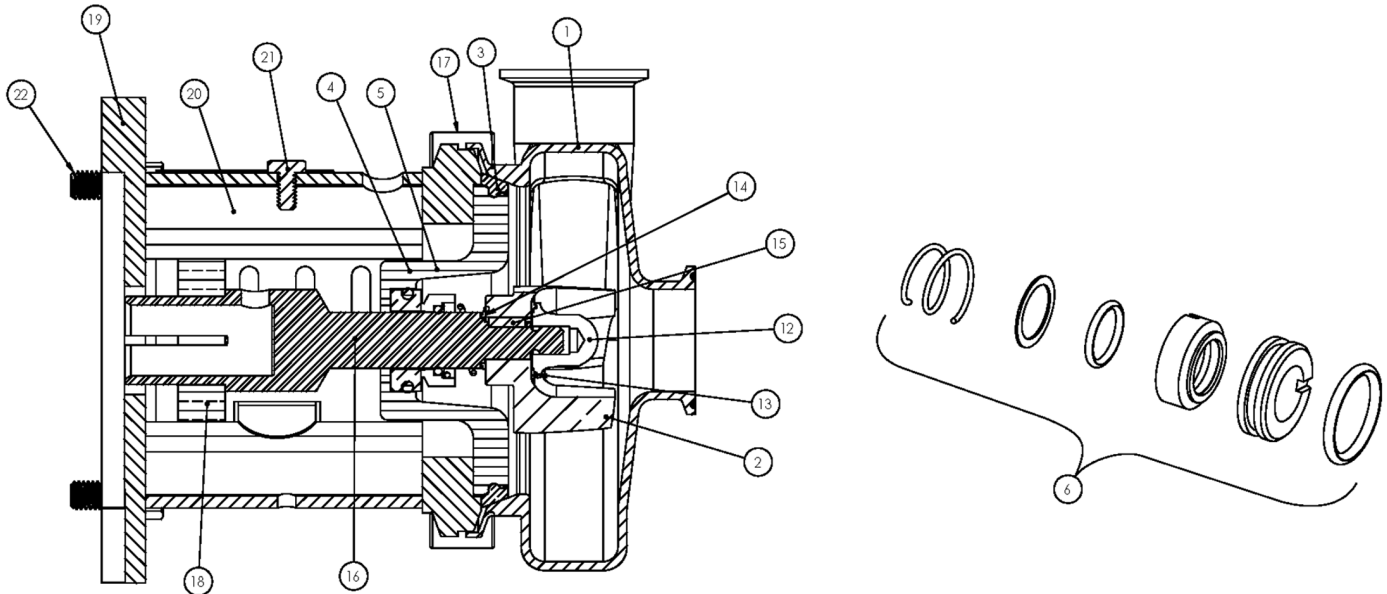
Ref #	Component Item No.	Description	Qty Per
1	S216M-01C-316L	CASING,2X1-1/2,TRI-CLMP C216/C+216	1
	<i>S216T-01C</i>	<i>CASING,2X1-1/2,BVL SEAT C216/C+216</i>	1
	<i>S216MI-01C</i>	<i>CASING,2X1-1/2,CLMP GLASS BEAD C216/C+216</i>	1
	<i>S216S-01C</i>	<i>CASING,2X1-1/2,NPT C216/C+216</i>	1
	<i>S216F-01D</i>	<i>CASING,2X1-1/2,FLNGD C216/C+216</i>	1
2	S216-02CP-316L	IMPELLER,+216/+316 C+ CB+ IC+	1
3	S216-90A-U	GASKET,216,CASING,BUNA C C+	1
	<i>S216-90A-E</i>	<i>GASKET,216,CASING,EPDM C C+</i>	1
	<i>S216-90A-V</i>	<i>GASKET,216,CASING,VIT C C+</i>	1
4	216IC+11-316	BACKPLATE,216 IC+	1
5	216D-11-1-S	PIN,BACKPLT,114/216/328 C C+	2
6	GS8101250	KIT,216/316,SC/CA/VI CB+	1
12	S216-91C-316L	NUT,+216/+316/+2116,IMP C+ D	1
13	S216-25A-U	GASKET,216,IMP NUT,BUNA C+	1
	<i>S216-25A-E</i>	<i>GASKET,216,IMP NUT,EPDM C+</i>	1
	<i>S216-25A-V</i>	<i>GASKET,216,IMP NUT,VIT C+</i>	1
14	S216-25B-U	GASKET,216,IMP,BACK,BUNA C+	1
	<i>S216-25B-E</i>	<i>GASKET,216,IMP,BACK,EPDM C+</i>	1
	<i>S216-25B-V</i>	<i>GASKET,216,IMP,BACK,VIT C+</i>	1
15	S216-95C-316L	KEY, IMP,216 C+	1
16	C216E-14TP-06	STUBSHAFT,140TC C+216	1
17	S216-75AR-S	CLAMP,216,CASING C C+	1
18	SX18000013	COLLAR,56C/140TC,SHAFT L SEE ITEM NOTES	1
19	216D56T-71C-SS	ADAPTER,56C-140TC,SS C216/C+216	1
20	C216-56T-131-S	GUARD,SEAL,216/316,SS C C+ CB+ IC+ 56C-140TC	1
21	GX5079600	CAPSCRW,HX,1/4-20X1/2,18-8SS HX HD	1
22	GX5077100	CAPSCRW,HX,3/8-16X1,18-8SS HX HD	4



Exploded View

Optional Items Shown in ITALICS

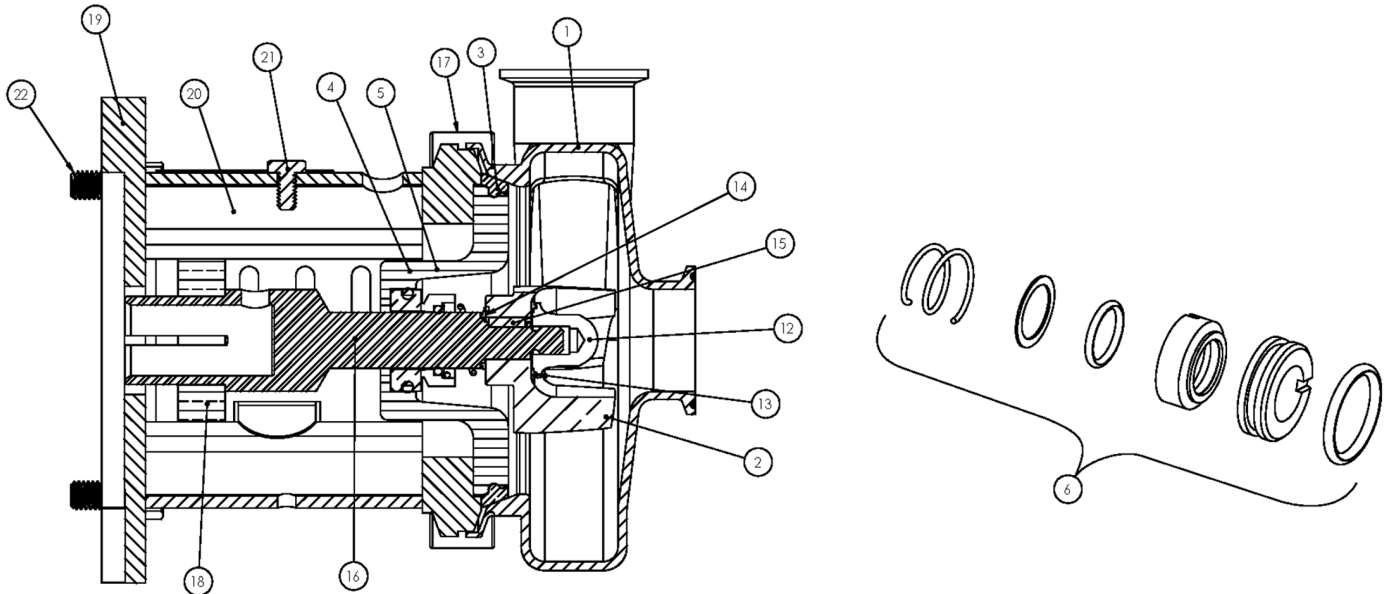
Ref #	Component Item No.	Description	Qty Per
1	S216M-01C-316L	CASING,2X1-1/2,TRI-CLMP C216/C+216	1
	<i>S216T-01C</i>	<i>CASING,2X1-1/2,BVL SEAT C216/C+216</i>	1
	<i>S216MI-01C</i>	<i>CASING,2X1-1/2,CLMP GLASS BEAD C216/C+216</i>	1
	<i>S216S-01C</i>	<i>CASING,2X1-1/2,NPT C216/C+216</i>	1
	<i>S216F-01D</i>	<i>CASING,2X1-1/2,FLNGD C216/C+216</i>	1
2	S216-02CP-316L	IMPELLER,+216/+316 C+ CB+ IC+	1
3	S216-90A-U	GASKET,216,CASING,BUNA C C+	1
	<i>S216-90A-E</i>	<i>GASKET,216,CASING,EPDM C C+</i>	1
	<i>S216-90A-V</i>	<i>GASKET,216,CASING,VIT C C+</i>	1
4	216IC+11-316	BACKPLATE,216 IC+	1
5	216D-11-1-S	PIN,BACKPLT,114/216/328 C C+	2
6	GS8101250	KIT,216/316,SC/CA/VI CB+	1
12	S216-91C-316L	NUT,+216/+316/+2116,IMP C+ D	1
13	S216-25A-U	GASKET,216,IMP NUT,BUNA C+	1
	<i>S216-25A-E</i>	<i>GASKET,216,IMP NUT,EPDM C+</i>	1
	<i>S216-25A-V</i>	<i>GASKET,216,IMP NUT,VIT C+</i>	1
14	S216-25B-U	GASKET,216,IMP,BACK,BUNA C+	1
	<i>S216-25B-E</i>	<i>GASKET,216,IMP,BACK,EPDM C+</i>	1
	<i>S216-25B-V</i>	<i>GASKET,216,IMP,BACK,VIT C+</i>	1
15	S216-95C-316L	KEY, IMP,216 C+	1
16	C216E-18TP-06	STUBSHAFT,180TC C+216	1
17	S216-75AR-S	CLAMP,216,CASING C C+	1
18	SX18000014	COLLAR,180TC,SHAFT LC	1
19	216D18T-71D-SS	ADAPTER,180TC FRAME SS C216/C+216	1
20	C216-18T-131-S	GUARD,SEAL,216/316,SS C C+ IC+ 180TC	1
21	GX5079600	CAPSCRW,HX,1/4-20X1/2,18-8SS HX HD	1
22	SC1710H-SS	CAPSCRW,HX,1/2-13X1,18-8SS HX HD	4



Exploded View

Optional Items Shown in ITALICS

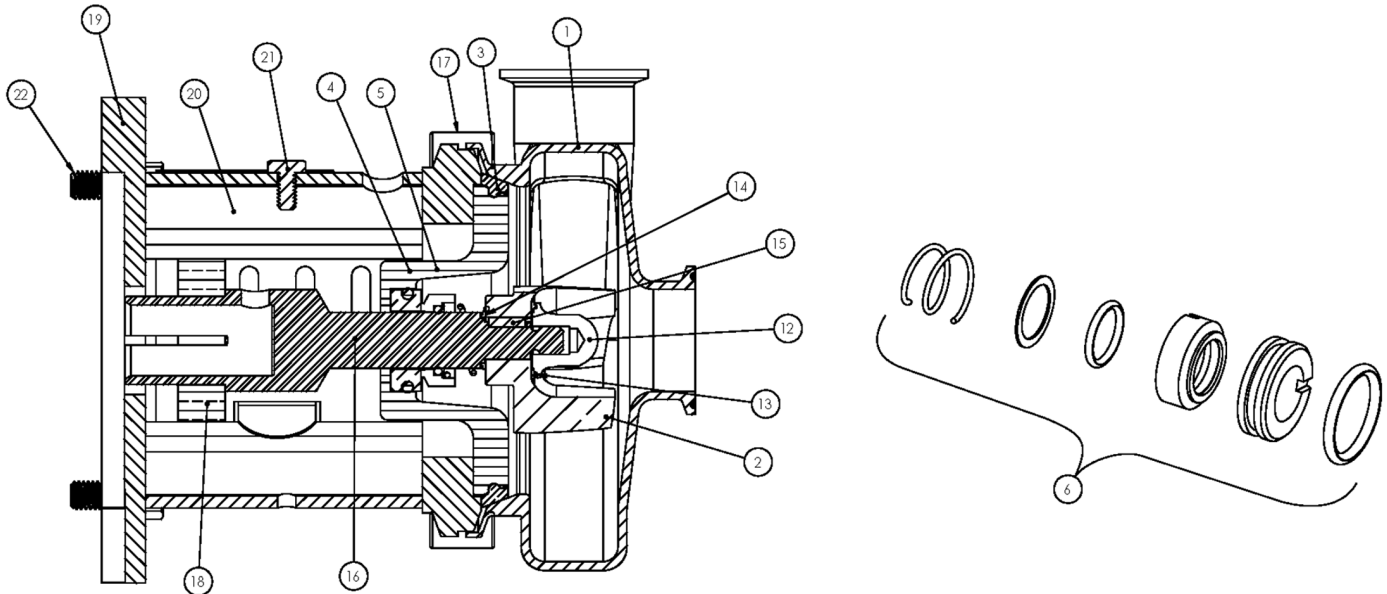
Ref #	Component Item No.	Description	Qty Per
1	S216M-01C-316L	CASING,2X1-1/2,TRI-CLMP C216/C+216	1
	<i>S216T-01C</i>	<i>CASING,2X1-1/2,BVL SEAT C216/C+216</i>	1
	<i>S216MI-01C</i>	<i>CASING,2X1-1/2,CLMP GLASS BEAD C216/C+216</i>	1
	<i>S216S-01C</i>	<i>CASING,2X1-1/2,NPT C216/C+216</i>	1
	<i>S216F-01D</i>	<i>CASING,2X1-1/2,FLNGD C216/C+216</i>	1
2	S216-02CP-316L	IMPELLER,+216/+316 C+ CB+ IC+	1
3	S216-90A-U	GASKET,216,CASING,BUNA C C+	1
	<i>S216-90A-E</i>	<i>GASKET,216,CASING,EPDM C C+</i>	1
	<i>S216-90A-V</i>	<i>GASKET,216,CASING,VIT C C+</i>	1
4	216IC+11-316	BACKPLATE,216 IC+	1
5	216D-11-1-S	PIN,BACKPLT,114/216/328 C C+	2
6	GS8101250	KIT,216/316,SC/CA/VI CB+	1
12	S216-91C-316L	NUT,+216/+316/+2116,IMP C+ D	1
13	S216-25A-U	GASKET,216,IMP NUT,BUNA C+	1
	<i>S216-25A-E</i>	<i>GASKET,216,IMP NUT,EPDM C+</i>	1
	<i>S216-25A-V</i>	<i>GASKET,216,IMP NUT,VIT C+</i>	1
14	S216-25B-U	GASKET,216,IMP,BACK,BUNA C+	1
	<i>S216-25B-E</i>	<i>GASKET,216,IMP,BACK,EPDM C+</i>	1
	<i>S216-25B-V</i>	<i>GASKET,216,IMP,BACK,VIT C+</i>	1
15	S216-95C-316L	KEY, IMP,216 C+	1
16	C216E-21TP-06	STUBSHAFT,210TC C+216	1
17	S216-75AR-S	CLAMP,216,CASING C C+	1
18	SX18000015	COLLAR,210TC,SHAFT LC	1
19	216E21T-71D-SS	ADAPTER,210TC FRAME,SS C216/C+216	1
20	C216-21T-131B-S	GUARD,SEAL,216/316/+2116,SS C C+ 210TC	1
21	GX5079600	CAPSCRW,HX,1/4-20X1/2,18-8SS HX HD	1
22	SC1710H-SS	CAPSCRW,HX,1/2-13X1,18-8SS HX HD	4



Exploded View

Optional Items Shown in ITALICS

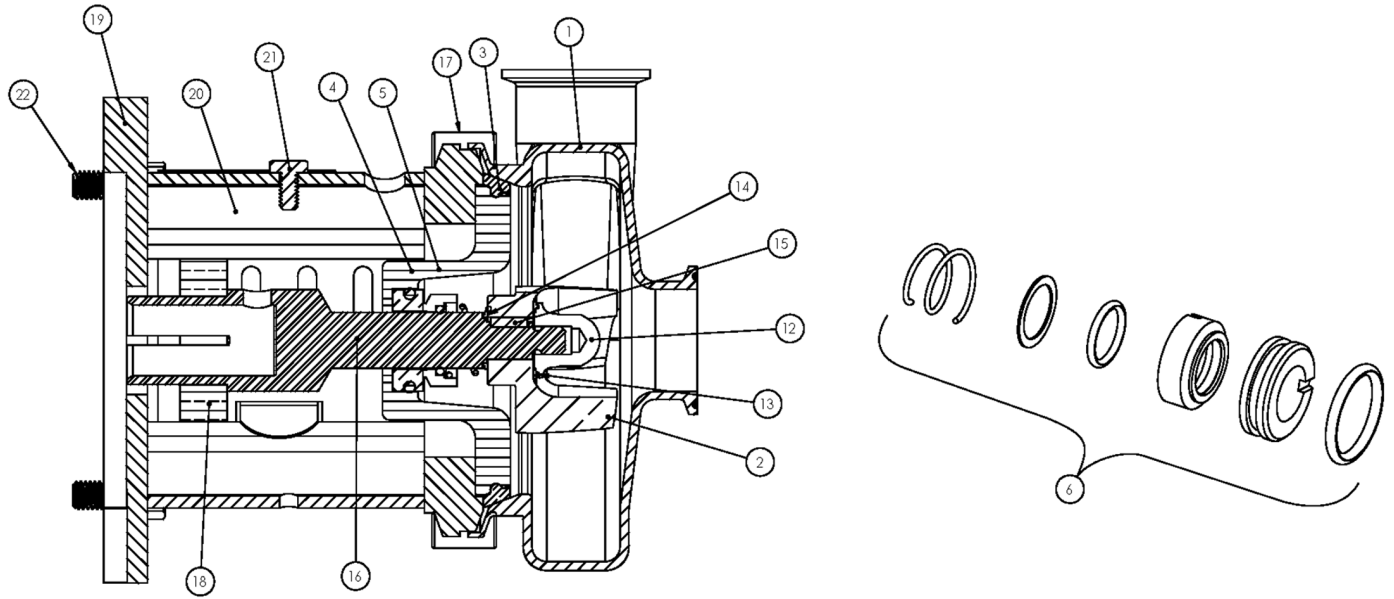
Ref #	Component Item No.	Description	Qty Per
1	S216M-01C-316L	CASING,2X1-1/2,TRI-CLMP C216/C+216	1
	<i>S216T-01C</i>	<i>CASING,2X1-1/2,BVL SEAT C216/C+216</i>	1
	<i>S216MI-01C</i>	<i>CASING,2X1-1/2,CLMP GLASS BEAD C216/C+216</i>	1
	<i>S216S-01C</i>	<i>CASING,2X1-1/2,NPT C216/C+216</i>	1
	<i>S216F-01D</i>	<i>CASING,2X1-1/2,FLNGD C216/C+216</i>	1
2	S216-02CP-316L	IMPELLER,+216/+316 C+ CB+ IC+	1
3	S216-90A-U	GASKET,216,CASING,BUNA C C+	1
	<i>S216-90A-E</i>	<i>GASKET,216,CASING,EPDM C C+</i>	1
	<i>S216-90A-V</i>	<i>GASKET,216,CASING,VIT C C+</i>	1
4	216IC+11-316	BACKPLATE,216 IC+	1
5	216D-11-1-S	PIN,BACKPLT,114/216/328 C C+	2
6	GS8101250	KIT,216/316,SC/CA/VI CB+	1
12	S216-91C-316L	NUT,+216/+316/+2116,IMP C+ D	1
13	S216-25A-U	GASKET,216,IMP NUT,BUNA C+	1
	<i>S216-25A-E</i>	<i>GASKET,216,IMP NUT,EPDM C+</i>	1
	<i>S216-25A-V</i>	<i>GASKET,216,IMP NUT,VIT C+</i>	1
14	S216-25B-U	GASKET,216,IMP,BACK,BUNA C+	1
	<i>S216-25B-E</i>	<i>GASKET,216,IMP,BACK,EPDM C+</i>	1
	<i>S216-25B-V</i>	<i>GASKET,216,IMP,BACK,VIT C+</i>	1
15	S216-95C-316L	KEY, IMP,216 C+	1
16	C216E-25TP-06	STUBSHAFT,250TC C+216	1
17	S216-75AR-S	CLAMP,216,CASING C C+	1
18	SX18000016	COLLAR,250TC/280TSC,SHAFT LC	1
19	216E25T-71D-SS	ADAPTER,250TC FRAME,SS C216/C+216	1
20	C216-21T-131B-S	GUARD,SEAL,216/316/+2116,SS C C+ 210TC	1
21	GX5079600	CAPSCRW,HX,1/4-20X1/2,18-8SS HX HD	1
22	SC1710H-SS	CAPSCRW,HX,1/2-13X1,18-8SS HX HD	4



Exploded View

Optional Items Shown in ITALICS

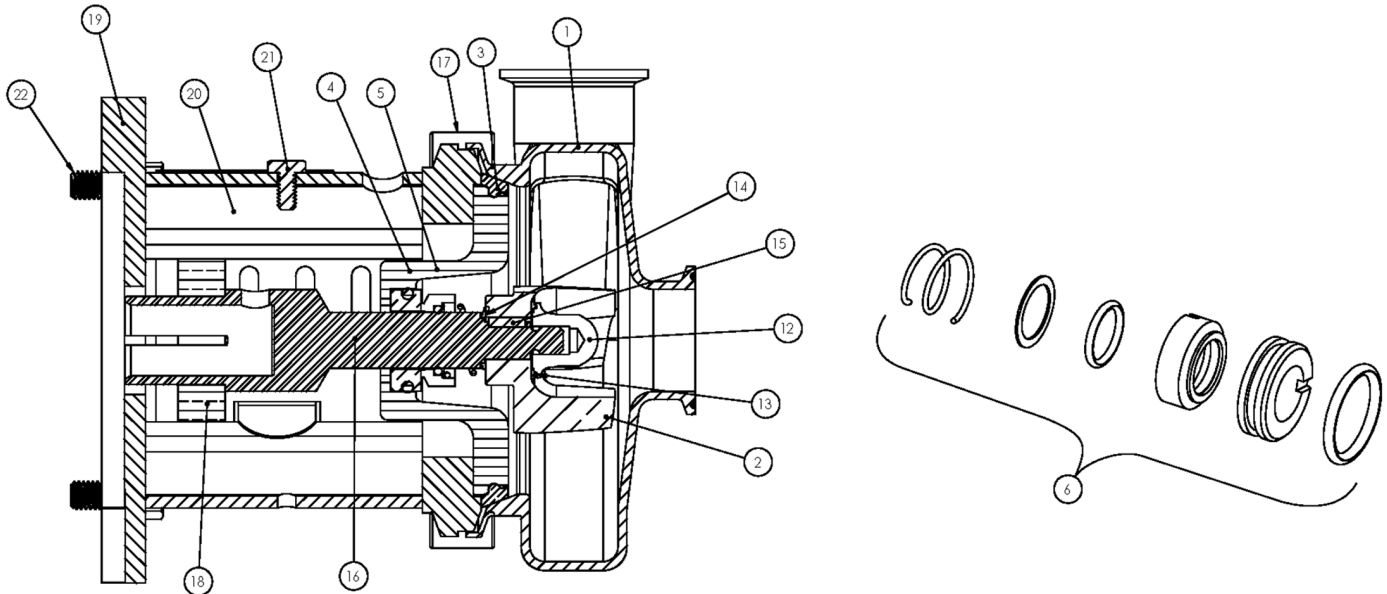
Ref #	Component Item No.	Description	Qty Per
1	S216M-01C-316L	CASING,2X1-1/2,TRI-CLMP C216/C+216	1
	<i>S216T-01C</i>	<i>CASING,2X1-1/2,BVL SEAT C216/C+216</i>	1
	<i>S216MI-01C</i>	<i>CASING,2X1-1/2,CLMP GLASS BEAD C216/C+216</i>	1
	<i>S216S-01C</i>	<i>CASING,2X1-1/2,NPT C216/C+216</i>	1
	<i>S216F-01D</i>	<i>CASING,2X1-1/2,FLNGD C216/C+216</i>	1
2	S216-02CP-316L	IMPELLER,+216/+316 C+ CB+ IC+	1
3	S216-90A-U	GASKET,216,CASING,BUNA C C+	1
	<i>S216-90A-E</i>	<i>GASKET,216,CASING,EPDM C C+</i>	1
	<i>S216-90A-V</i>	<i>GASKET,216,CASING,VIT C C+</i>	1
4	216IC+11-316	BACKPLATE,216 IC+	1
6	GS8101250	KIT,216/316,SC/CA/VI CB+	1
12	GX5515000	NUT,HEX,M12-1.75,18-8SS HEX NUT	4
	S216-91C-316L	NUT,+216/+316/+2116,IMP C+ D	1
13	S216-25A-U	GASKET,216,IMP NUT,BUNA C+	1
	<i>S216-25A-E</i>	<i>GASKET,216,IMP NUT,EPDM C+</i>	1
	<i>S216-25A-V</i>	<i>GASKET,216,IMP NUT,VIT C+</i>	1
14	S216-25B-U	GASKET,216,IMP,BACK,BUNA C+	1
	<i>S216-25B-E</i>	<i>GASKET,216,IMP,BACK,EPDM C+</i>	1
	<i>S216-25B-V</i>	<i>GASKET,216,IMP,BACK,VIT C+</i>	1
15	S216-95C-316L	KEY, IMP,216 C+	1
16	C216E-80TP-06	STUBSHAFT,80 IEC,METRIC C+216	1
17	S216-75AR-S	CLAMP,216,CASING C C+	1
18	SX18000813	COLLAR,80/90 IEC,SHAFT,MTRIC	1
19	216E80T-71C-SS	ADAPTER,80 IEC B5 FRAME,SS C216/C+216	1
20	C216-21T-131B-S	GUARD,SEAL,216/316/+2116,SS C C+ 210TC	1
22	GX5515135	CAPSCRW,HX,M12-1.75X45MM,18-8S HX HD	4
37	GX5515010	WASHER,LOCK,M12,18-8SS	4



Exploded View

Optional Items Shown in ITALICS

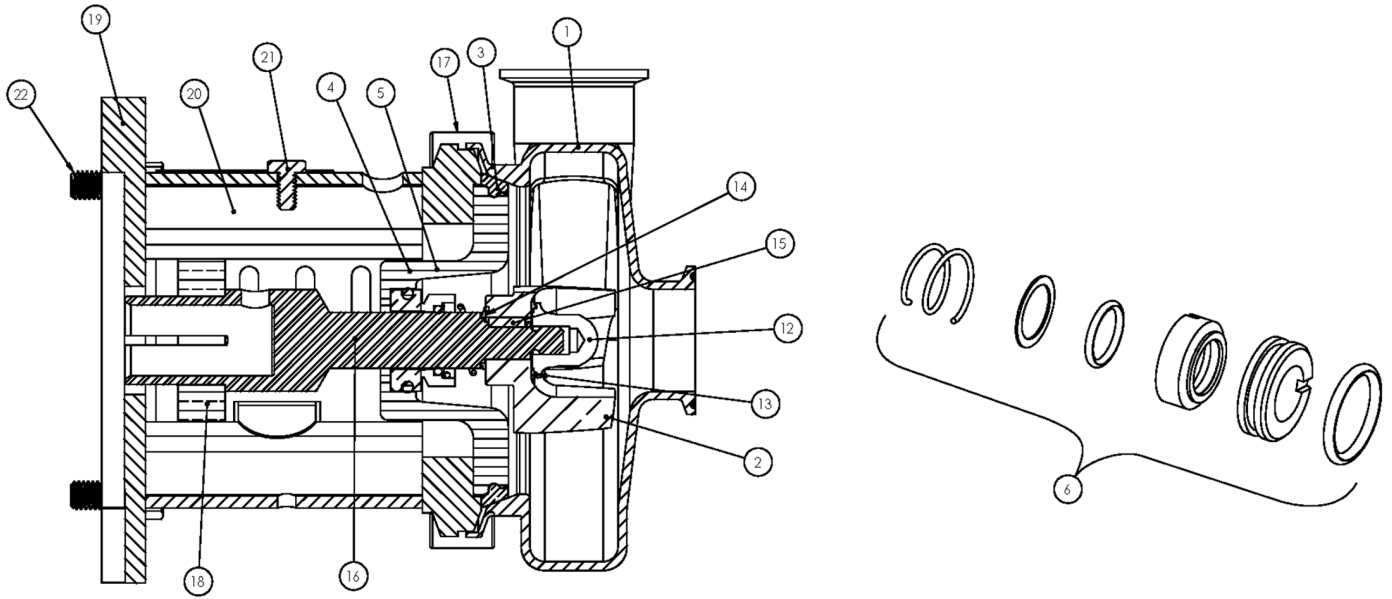
Ref #	Component Item No.	Description	Qty Per
38	<i>GX5515015</i>	<i>WASHER,FLAT,M12,18-8SS</i>	<i>8</i>



Exploded View

Optional Items Shown in ITALICS

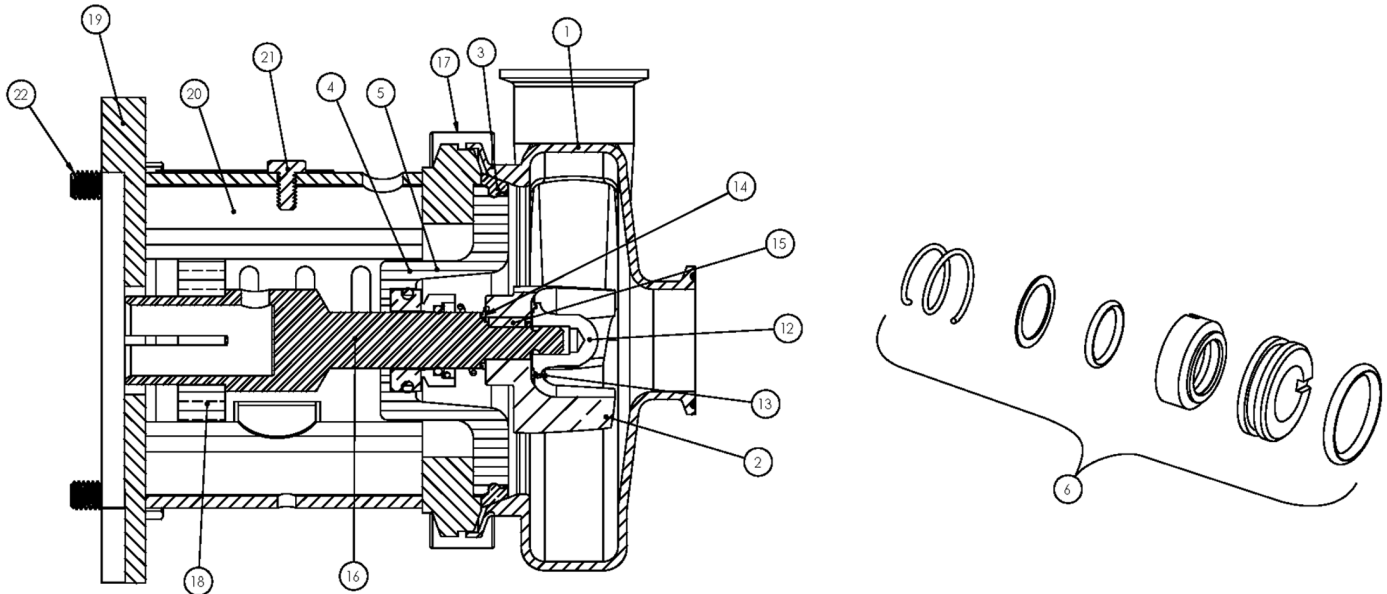
Ref #	Component Item No.	Description	Qty Per
1	S216M-01C-316L	CASING,2X1-1/2,TRI-CLMP C216/C+216	1
	<i>S216T-01C</i>	<i>CASING,2X1-1/2,BVL SEAT C216/C+216</i>	1
	<i>S216MI-01C</i>	<i>CASING,2X1-1/2,CLMP GLASS BEAD C216/C+216</i>	1
	<i>S216S-01C</i>	<i>CASING,2X1-1/2,NPT C216/C+216</i>	1
	<i>S216F-01D</i>	<i>CASING,2X1-1/2,FLNGD C216/C+216</i>	1
2	S216-02CP-316L	IMPELLER,+216/+316 C+ CB+ IC+	1
3	S216-90A-U	GASKET,216,CASING,BUNA C C+	1
	<i>S216-90A-E</i>	<i>GASKET,216,CASING,EPDM C C+</i>	1
	<i>S216-90A-V</i>	<i>GASKET,216,CASING,VIT C C+</i>	1
4	216IC+11-316	BACKPLATE,216 IC+	1
6	GS8101250	KIT,216/316,SC/CA/VI CB+	1
12	GX5515000	NUT,HEX,M12-1.75,18-8SS HEX NUT	4
	<i>S216-91C-316L</i>	<i>NUT,+216/+316/+2116,IMP C+ D</i>	1
13	S216-25A-U	GASKET,216,IMP NUT,BUNA C+	1
	<i>S216-25A-E</i>	<i>GASKET,216,IMP NUT,EPDM C+</i>	1
	<i>S216-25A-V</i>	<i>GASKET,216,IMP NUT,VIT C+</i>	1
14	S216-25B-U	GASKET,216,IMP,BACK,BUNA C+	1
	<i>S216-25B-E</i>	<i>GASKET,216,IMP,BACK,EPDM C+</i>	1
	<i>S216-25B-V</i>	<i>GASKET,216,IMP,BACK,VIT C+</i>	1
15	S216-95C-316L	KEY, IMP,216 C+	1
16	C216E-90TP-06	STUBSHAFT,90 IEC,METRIC C+216	1
17	S216-75AR-S	CLAMP,216,CASING C C+	1
18	SX18000813	COLLAR,80/90 IEC,SHAFT,MTRIC	1
19	216D90T-71C-B5	ADAPTER,90 IEC B5 FRAME,SS C216/C+216	1
20	C216-21T-131B-S	GUARD,SEAL,216/316/+2116,SS C C+ 210TC	1
22	GX5515135	CAPSCRW,HX,M12-1.75X45MM,18-8S HX HD	4
37	GX5515010	WASHER,LOCK,M12,18-8SS	4



Exploded View

Optional Items Shown in ITALICS

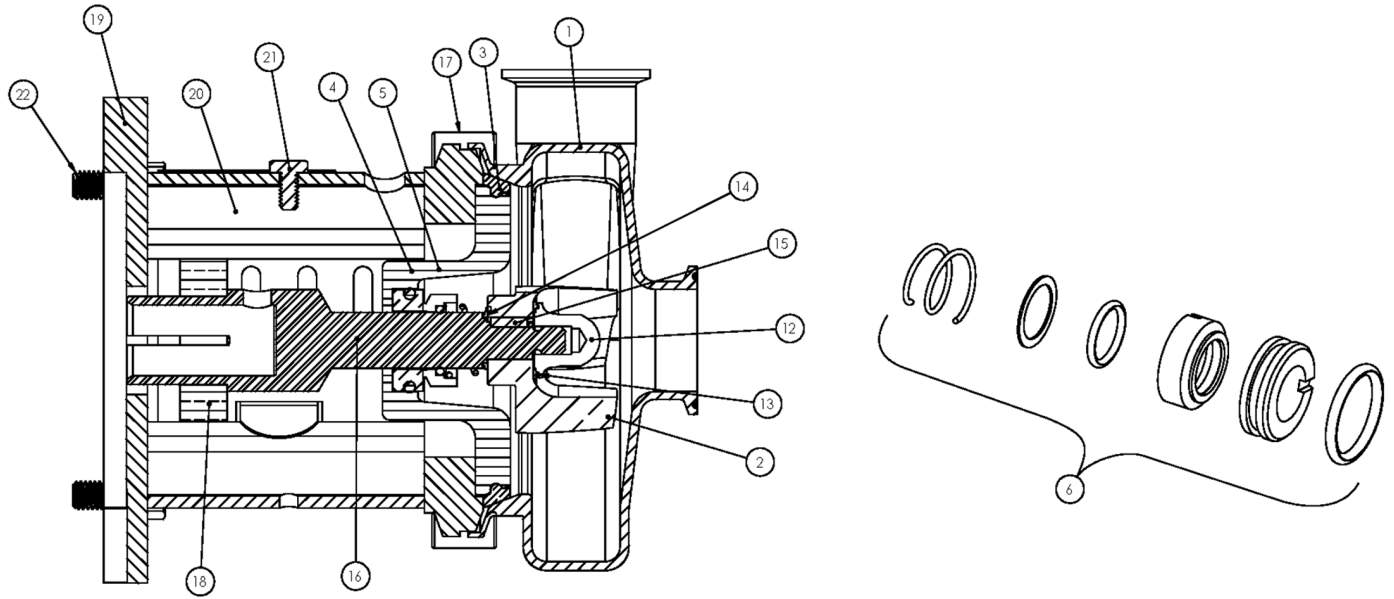
Ref #	Component Item No.	Description	Qty Per
38	GX5515015	WASHER,FLAT,M12,18-8SS	8



Exploded View

Optional Items Shown in ITALICS

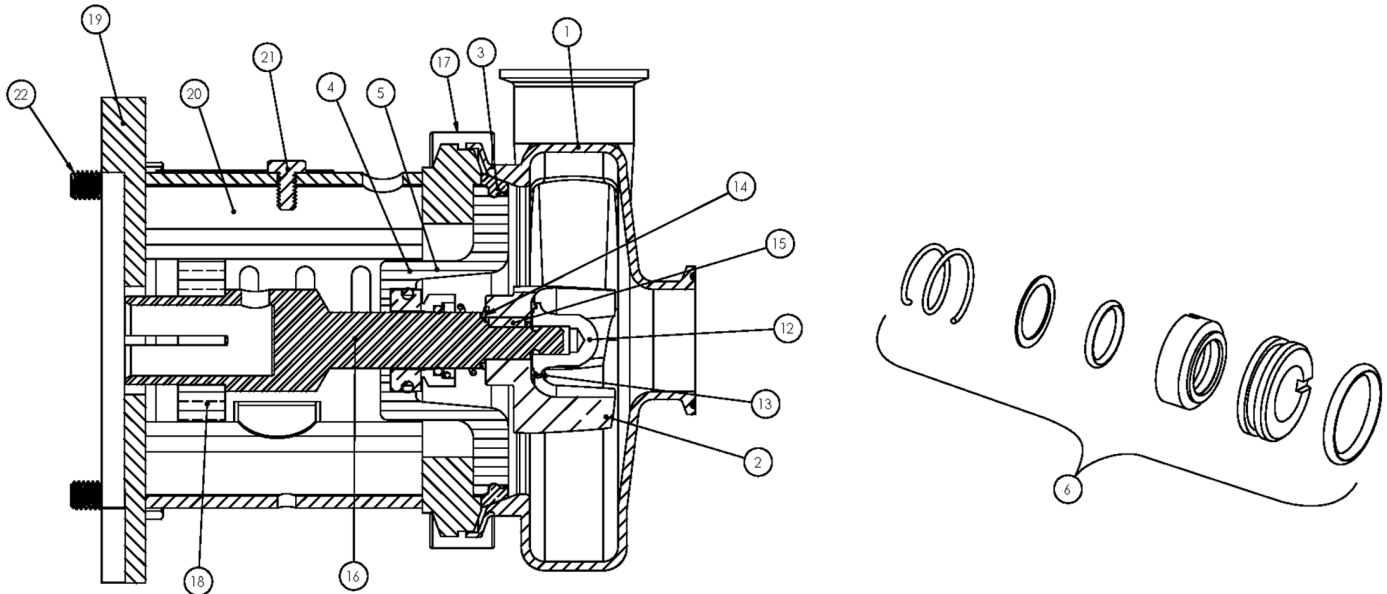
Ref #	Component Item No.	Description	Qty Per
1	S216M-01C-316L	CASING,2X1-1/2,TRI-CLMP C216/C+216	1
	<i>S216T-01C</i>	<i>CASING,2X1-1/2,BVL SEAT C216/C+216</i>	1
	<i>S216MI-01C</i>	<i>CASING,2X1-1/2,CLMP GLASS BEAD C216/C+216</i>	1
	<i>S216S-01C</i>	<i>CASING,2X1-1/2,NPT C216/C+216</i>	1
	<i>S216F-01D</i>	<i>CASING,2X1-1/2,FLNGD C216/C+216</i>	1
2	S216-02CP-316L	IMPELLER,+216/+316 C+ CB+ IC+	1
3	S216-90A-U	GASKET,216,CASING,BUNA C C+	1
	<i>S216-90A-E</i>	<i>GASKET,216,CASING,EPDM C C+</i>	1
	<i>S216-90A-V</i>	<i>GASKET,216,CASING,VIT C C+</i>	1
4	216IC+11-316	BACKPLATE,216 IC+	1
6	GS8101250	KIT,216/316,SC/CA/VI CB+	1
12	GX5516000	NUT,HEX,M14-2.0,18-8SS HEX NUT	4
	S216-91C-316L	NUT,+216/+316/+2116,IMP C+ D	1
13	S216-25A-U	GASKET,216,IMP NUT,BUNA C+	1
	<i>S216-25A-E</i>	<i>GASKET,216,IMP NUT,EPDM C+</i>	1
	<i>S216-25A-V</i>	<i>GASKET,216,IMP NUT,VIT C+</i>	1
14	S216-25B-U	GASKET,216,IMP,BACK,BUNA C+	1
	<i>S216-25B-E</i>	<i>GASKET,216,IMP,BACK,EPDM C+</i>	1
	<i>S216-25B-V</i>	<i>GASKET,216,IMP,BACK,VIT C+</i>	1
15	S216-95C-316L	KEY, IMP,216 C+	1
16	C216E-100TP-06	STUBSHAFT,100/112 IEC METRIC C+216	1
17	S216-75AR-S	CLAMP,216,CASING C C+	1
18	SX18000814	COLLAR,100/112 IEC,SHAFT,MTRIC	1
19	216D100T-71CB5	ADAPTER,100/112 IEC B5FRAME,SS C216/C+216	1
20	C216-21T-131B-S	GUARD,SEAL,216/316/+2116,SS C C+ 210TC	1
22	GX5516145	CAPSCRW,HX,M14-2.0X55MM,18-8SS HX HD	4
37	GX5516010	WASHER,LOCK,M14,18-8SS	4



Exploded View

Optional Items Shown in ITALICS

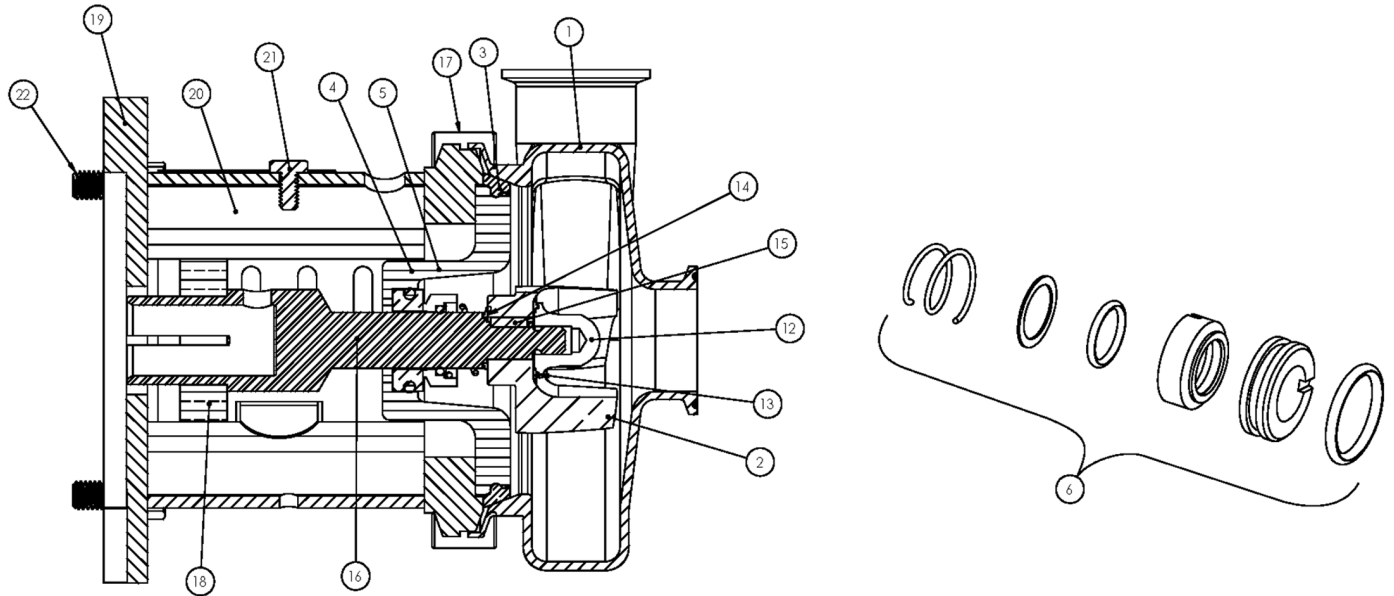
Ref #	Component Item No.	Description	Qty Per
38	GX5516015	WASHER,FLAT,M14,18-8SS	8



Exploded View

Optional Items Shown in ITALICS

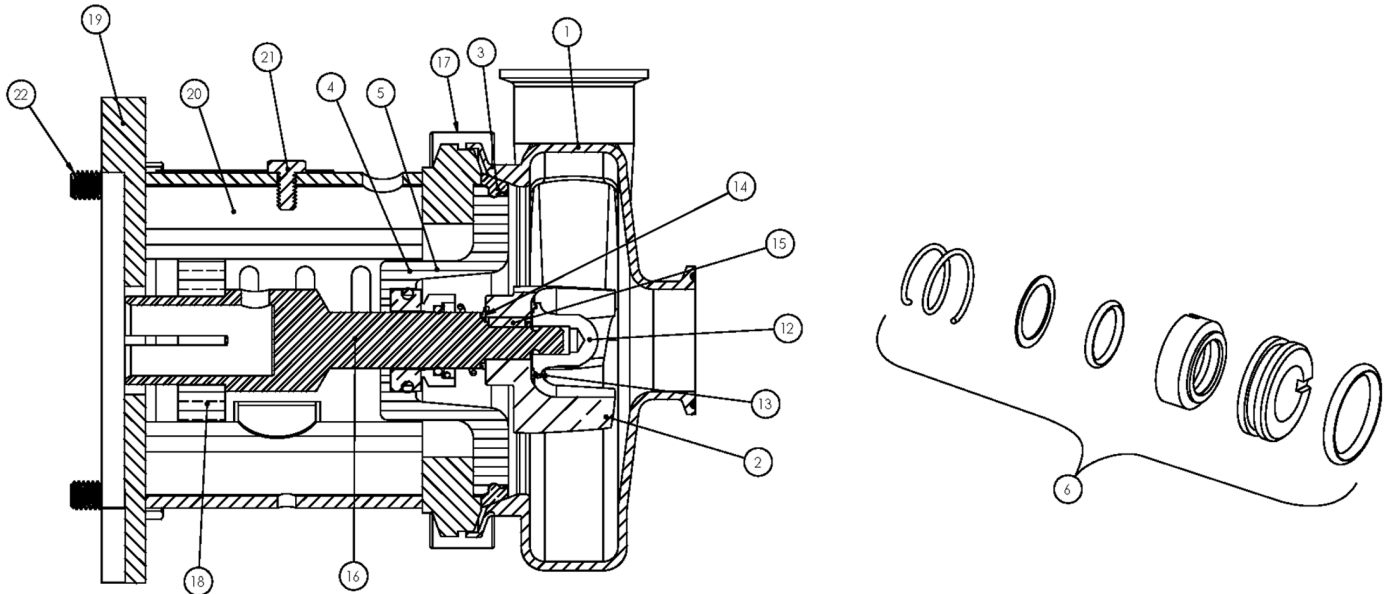
Ref #	Component Item No.	Description	Qty Per
1	S216M-01C-316L	CASING,2X1-1/2,TRI-CLMP C216/C+216	1
	<i>S216T-01C</i>	<i>CASING,2X1-1/2,BVL SEAT C216/C+216</i>	1
	<i>S216MI-01C</i>	<i>CASING,2X1-1/2,CLMP GLASS BEAD C216/C+216</i>	1
	<i>S216S-01C</i>	<i>CASING,2X1-1/2,NPT C216/C+216</i>	1
	<i>S216F-01D</i>	<i>CASING,2X1-1/2,FLNGD C216/C+216</i>	1
2	S216-02CP-316L	IMPELLER,+216/+316 C+ CB+ IC+	1
3	S216-90A-U	GASKET,216,CASING,BUNA C C+	1
	<i>S216-90A-E</i>	<i>GASKET,216,CASING,EPDM C C+</i>	1
	<i>S216-90A-V</i>	<i>GASKET,216,CASING,VIT C C+</i>	1
4	216IC+11-316	BACKPLATE,216 IC+	1
6	GS8101250	KIT,216/316,SC/CA/VI CB+	1
12	GX5516000	NUT,HEX,M14-2.0,18-8SS HEX NUT	4
	S216-91C-316L	NUT,+216/+316/+2116,IMP C+ D	1
13	S216-25A-U	GASKET,216,IMP NUT,BUNA C+	1
	<i>S216-25A-E</i>	<i>GASKET,216,IMP NUT,EPDM C+</i>	1
	<i>S216-25A-V</i>	<i>GASKET,216,IMP NUT,VIT C+</i>	1
14	S216-25B-U	GASKET,216,IMP,BACK,BUNA C+	1
	<i>S216-25B-E</i>	<i>GASKET,216,IMP,BACK,EPDM C+</i>	1
	<i>S216-25B-V</i>	<i>GASKET,216,IMP,BACK,VIT C+</i>	1
15	S216-95C-316L	KEY, IMP,216 C+	1
16	C216E-132TP-06	STUBSHAFT,132 IEC,METRIC C+216	1
17	S216-75AR-S	CLAMP,216,CASING C C+	1
18	SX18000815	COLLAR,132 IEC,SHAFT,MTRIC	1
19	216E132T-71C-B5	ADAPTER,132 IEC B5 FRAME,SS C216/C+216	1
20	C216-21T-131B-S	GUARD,SEAL,216/316/+2116,SS C C+ 210TC	1
22	GX5516150	CAPSCRW,HX,M14-2.0X60MM,18-8SS HX HD	4
37	GX5516010	WASHER,LOCK,M14,18-8SS	4



Exploded View

Optional Items Shown in ITALICS

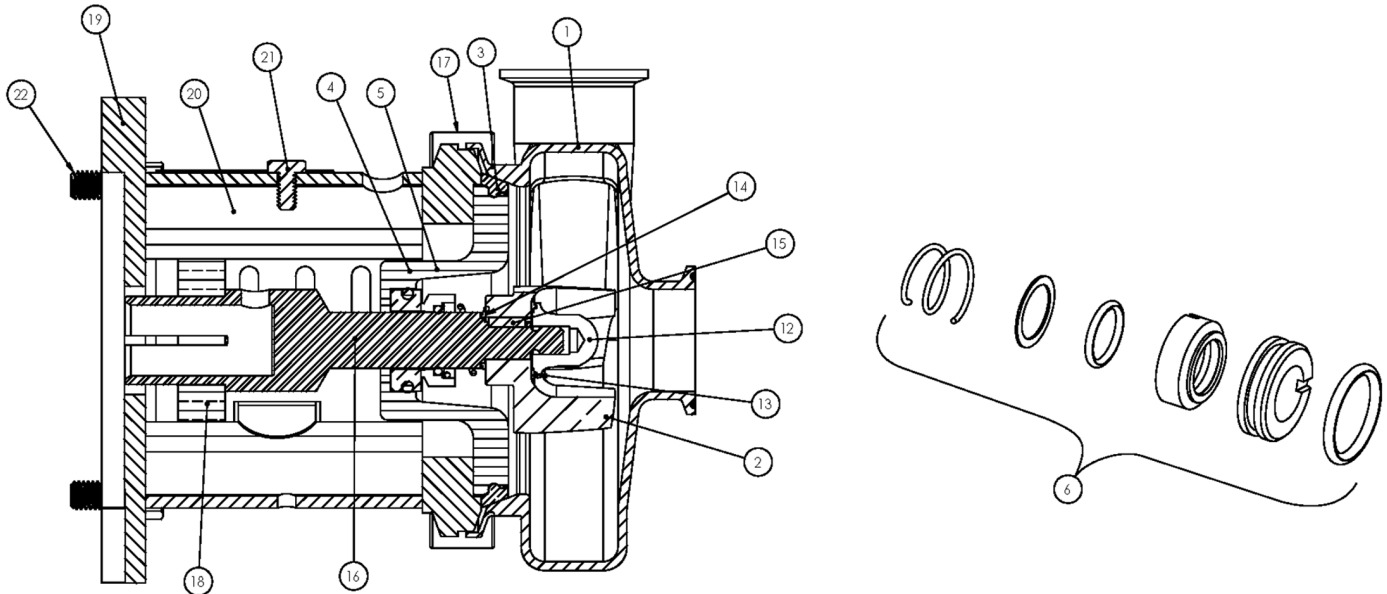
Ref #	Component Item No.	Description	Qty Per
38	GX5516015	WASHER,FLAT,M14,18-8SS	8



Exploded View

Optional Items Shown in ITALICS

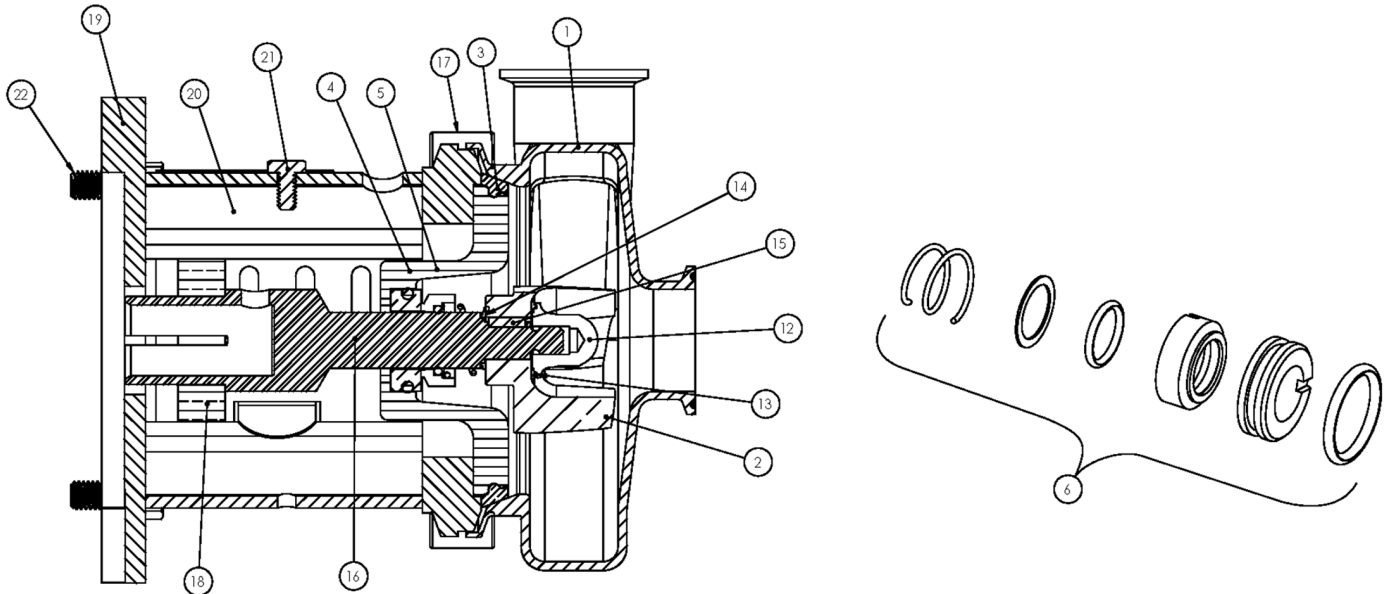
Ref #	Component Item No.	Description	Qty Per
1	S218M-01D-316L	CASING,2X1-1/2,TRI-CLMP C218/C+218	1
	<i>S218T-01C</i>	<i>CASING,2X1-1/2,BVL SEAT C218/C+218</i>	1
	<i>S218MI-01D</i>	<i>CASING,2X1-1/2,CLMP GLASS BEAD C218/C+218</i>	1
	<i>S218S-01C</i>	<i>CASING,2X1-1/2,NPT C218/C+218</i>	1
	<i>S218F-01C</i>	<i>CASING,2X1-1/2,FLNGD C218/C+218</i>	1
2	S218-02CP-316L	IMPELLER,+218/+318 C+ IC+	1
3	S328-90A-U	GASKET,218/328,CASING,BUNA C C+	1
	<i>S328-90A-E</i>	<i>GASKET,218/328,CASING,EPDM C C+</i>	1
	<i>S328-90A-V</i>	<i>GASKET,218/328,CASING,VIT C C+</i>	1
4	328IC+11-316	BACKPLATE,218/328 IC+	1
5	216D-11-1-S	PIN,BACKPLT,114/216/328 C C+	2
6	GS8101350	KIT,218/328,SC/CA/VI CB+	1
12	S328-91C-316L	NUT,+218/+328/+3218,IMP C+ DB	1
13	S328-25A-U	GASKET,218/328,IMP NUT,BUNA C C+	1
	<i>S328-25A-E</i>	<i>GASKET,218/328,IMP NUT,EPDM C C+</i>	1
	<i>S328-25A-V</i>	<i>GASKET,218/328,IMP NUT,VIT C C+</i>	1
14	S328-25B-U	GASKET,218/328,IMP,BACK,BUNA C C+	1
	<i>S328-25B-E</i>	<i>GASKET,218/328,IMP, BACK,EPDM C C+</i>	1
	<i>S328-25B-V</i>	<i>GASKET,218/328,IMP,BACK,VIT C C+</i>	1
15	S328-95C-316L	KEY,IMP,218/318/328 C+	1
16	C328E-14TP-06	STUBSHAFT,140TC C+218/328	1
17	S328-75AR-S	CLAMP,218/328,CASING C C+	1
18	SX18000013	COLLAR,56C/140TC,SHAFT L SEE ITEM NOTES	1
19	328D14T-71C-SS	ADAPTER,140TC FRAME,SS C218/C328/C+218/C+328	1
20	C328-14T-131-S	GUARD,SEAL,218/328,SS C C+ CB+	1
21	GX5079600	CAPSCRW,HX,1/4-20X1/2,18-8SS HX HD	1
22	GX5077100	CAPSCRW,HX,3/8-16X1,18-8SS HX HD	4



Exploded View

Optional Items Shown in ITALICS

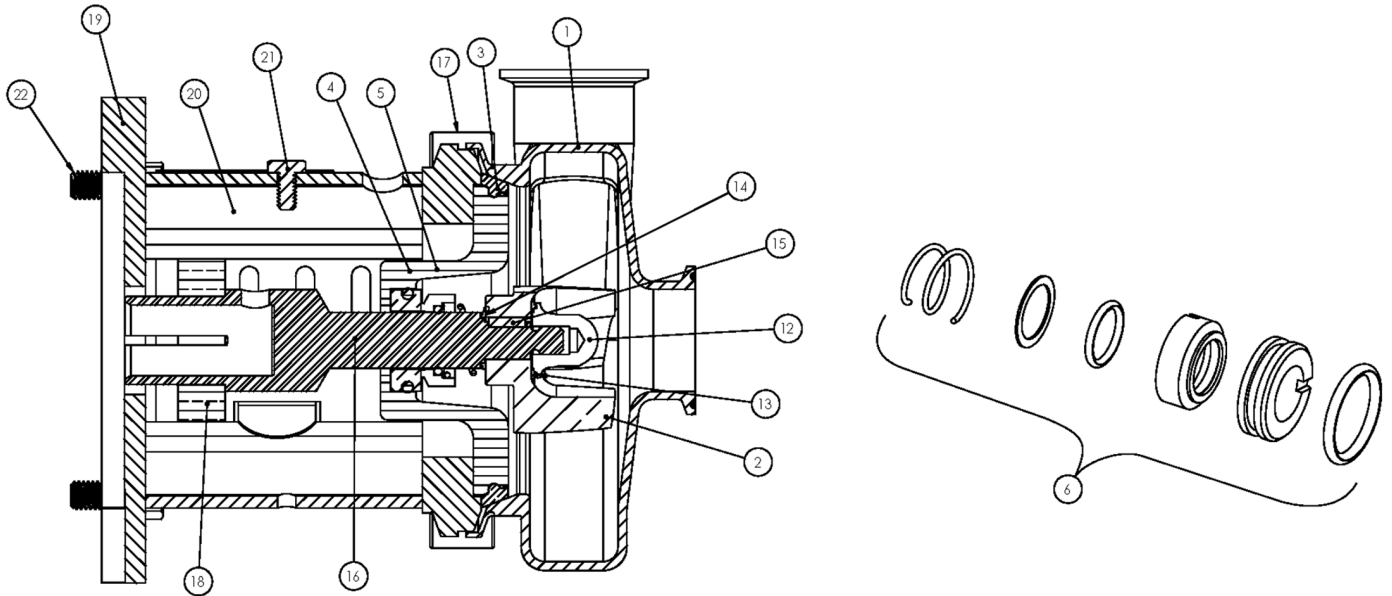
Ref #	Component Item No.	Description	Qty Per
1	S218M-01D-316L	CASING,2X1-1/2,TRI-CLMP C218/C+218	1
	<i>S218T-01C</i>	<i>CASING,2X1-1/2,BVL SEAT C218/C+218</i>	1
	<i>S218MI-01D</i>	<i>CASING,2X1-1/2,CLMP GLASS BEAD C218/C+218</i>	1
	<i>S218S-01C</i>	<i>CASING,2X1-1/2,NPT C218/C+218</i>	1
	<i>S218F-01C</i>	<i>CASING,2X1-1/2,FLNGD C218/C+218</i>	1
2	S218-02CP-316L	IMPELLER,+218/+318 C+ IC+	1
3	S328-90A-U	GASKET,218/328,CASING,BUNA C C+	1
	<i>S328-90A-E</i>	<i>GASKET,218/328,CASING,EPDM C C+</i>	1
	<i>S328-90A-V</i>	<i>GASKET,218/328,CASING,VIT C C+</i>	1
4	328IC+11-316	BACKPLATE,218/328 IC+	1
5	216D-11-1-S	PIN,BACKPLT,114/216/328 C C+	2
6	GS8101350	KIT,218/328,SC/CA/VI CB+	1
12	S328-91C-316L	NUT,+218/+328/+3218,IMP C+ DB	1
13	S328-25A-U	GASKET,218/328,IMP NUT,BUNA C C+	1
	<i>S328-25A-E</i>	<i>GASKET,218/328,IMP NUT,EPDM C C+</i>	1
	<i>S328-25A-V</i>	<i>GASKET,218/328,IMP NUT,VIT C C+</i>	1
14	S328-25B-U	GASKET,218/328,IMP,BACK,BUNA C C+	1
	<i>S328-25B-E</i>	<i>GASKET,218/328,IMP, BACK,EPDM C C+</i>	1
	<i>S328-25B-V</i>	<i>GASKET,218/328,IMP,BACK,VIT C C+</i>	1
15	S328-95C-316L	KEY,IMP,218/318/328 C+	1
16	C328E-18TP-06	STUBSHAFT,180TC C+218/328	1
17	S328-75AR-S	CLAMP,218/328,CASING C C+	1
18	SX18000014	COLLAR,180TC,SHAFT LC	1
19	328D18T-71C-SS	ADAPTER,180TC FRAME,SS C218/C328/C+218/C+328	1
20	C328-18T-131-S	GUARD,SEAL,21/318/328/428,SS C C+ IC+ 180TC	1
21	GX5079600	CAPSCRW,HX,1/4-20X1/2,18-8SS HX HD	1
22	SC1710H-SS	CAPSCRW,HX,1/2-13X1,18-8SS HX HD	4



Exploded View

Optional Items Shown in ITALICS

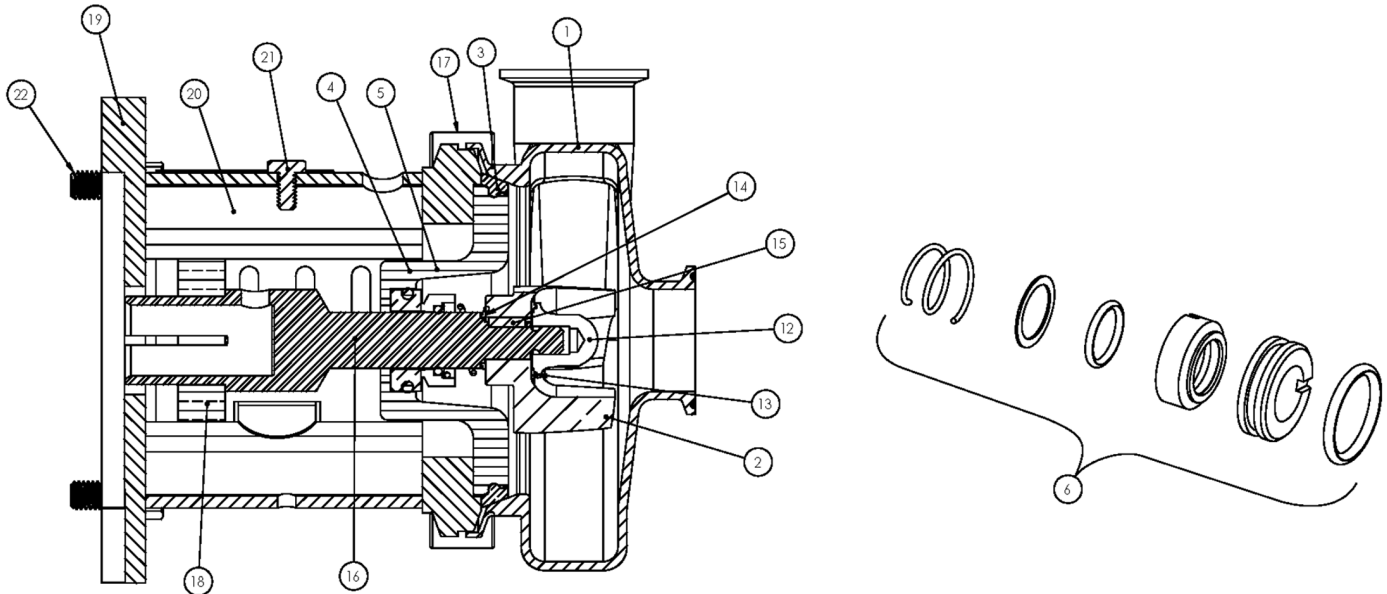
Ref #	Component Item No.	Description	Qty Per
1	S218M-01D-316L	CASING,2X1-1/2,TRI-CLMP C218/C+218	1
	<i>S218T-01C</i>	<i>CASING,2X1-1/2,BVL SEAT C218/C+218</i>	1
	<i>S218MI-01D</i>	<i>CASING,2X1-1/2,CLMP GLASS BEAD C218/C+218</i>	1
	<i>S218S-01C</i>	<i>CASING,2X1-1/2,NPT C218/C+218</i>	1
	<i>S218F-01C</i>	<i>CASING,2X1-1/2,FLNGD C218/C+218</i>	1
2	S218-02CP-316L	IMPELLER,+218/+318 C+ IC+	1
3	S328-90A-U	GASKET,218/328,CASING,BUNA C C+	1
	<i>S328-90A-E</i>	<i>GASKET,218/328,CASING,EPDM C C+</i>	1
	<i>S328-90A-V</i>	<i>GASKET,218/328,CASING,VIT C C+</i>	1
4	328IC+11-316	BACKPLATE,218/328 IC+	1
5	216D-11-1-S	PIN,BACKPLT,114/216/328 C C+	2
6	GS8101350	KIT,218/328,SC/CA/VI CB+	1
11	SC1105A-SS	SCREW,SET,DRV COLLR,1/4-20X3/8 -SS	2
12	S328-91C-316L	NUT,+218/+328/+3218,IMP C+ DB	1
13	S328-25A-U	GASKET,218/328,IMP NUT,BUNA C C+	1
	<i>S328-25A-E</i>	<i>GASKET,218/328,IMP NUT,EPDM C C+</i>	1
	<i>S328-25A-V</i>	<i>GASKET,218/328,IMP NUT,VIT C C+</i>	1
14	S328-25B-U	GASKET,218/328,IMP,BACK,BUNA C C+	1
	<i>S328-25B-E</i>	<i>GASKET,218/328,IMP, BACK,EPDM C C+</i>	1
	<i>S328-25B-V</i>	<i>GASKET,218/328,IMP,BACK,VIT C C+</i>	1
15	S328-95C-316L	KEY,IMP,218/318/328 C+	1
16	C328E-21TP-06	STUBSHAFT,210TC C+218/328	1
17	S328-75AR-S	CLAMP,218/328,CASING C C+	1
18	SX18000015	COLLAR,210TC,SHAFT LC	1
19	328D21T-71C-SS	ADAPTER,210TC FRAME,SS C218/C328/C+218/C+328	1
20	C328-21T-131-S	GUARD,SEAL,218/318/328/428,SS C C+ CB+ 210TC	1
21	GX5079600	CAPSCRW,HX,1/4-20X1/2,18-8SS HX HD	1



Exploded View

Optional Items Shown in ITALICS

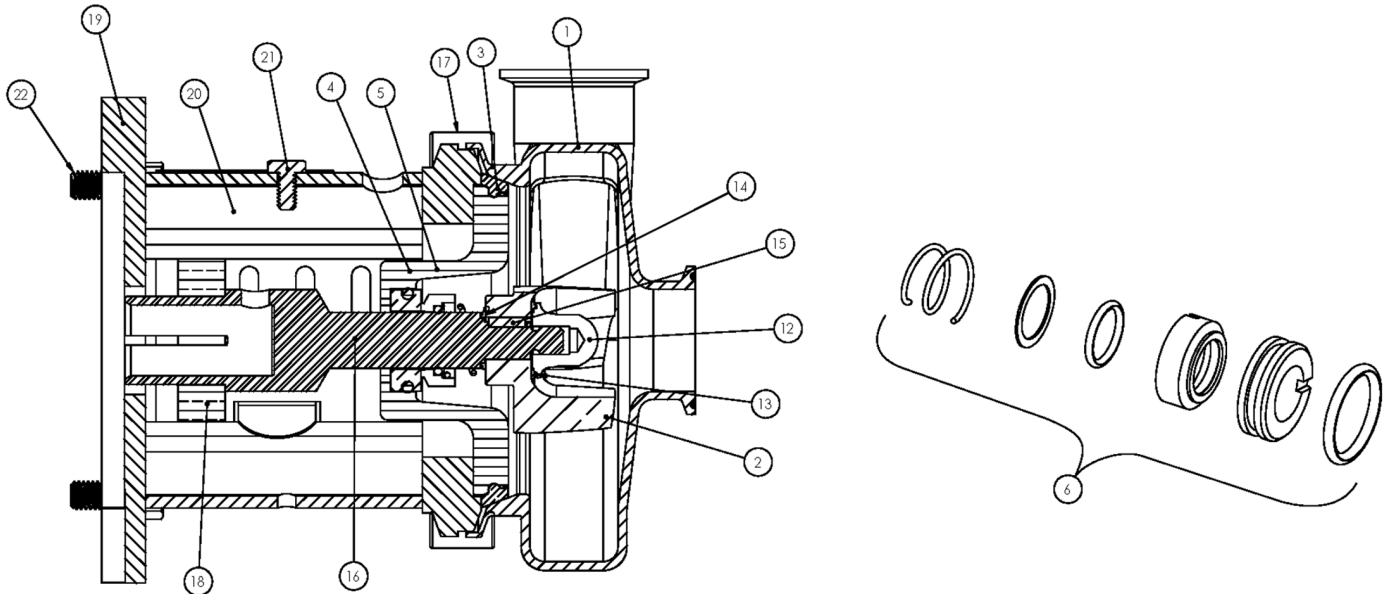
Ref #	Component Item No.	Description	Qty Per
22	SC1710H-SS	CAPSCRW,HX,1/2-13X1,18-8SS HX HD	4



Exploded View

Optional Items Shown in ITALICS

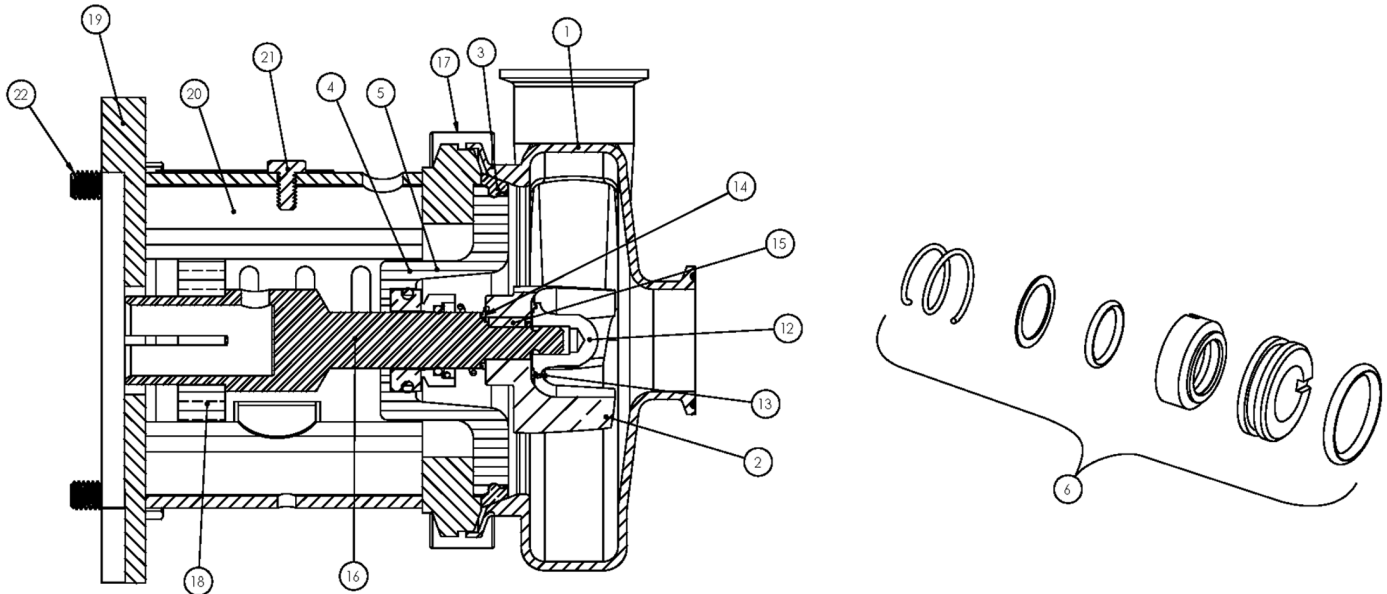
Ref #	Component Item No.	Description	Qty Per
1	S218M-01D-316L	CASING,2X1-1/2,TRI-CLMP C218/C+218	1
	<i>S218T-01C</i>	<i>CASING,2X1-1/2,BVL SEAT C218/C+218</i>	1
	<i>S218MI-01D</i>	<i>CASING,2X1-1/2,CLMP GLASS BEAD C218/C+218</i>	1
	<i>S218S-01C</i>	<i>CASING,2X1-1/2,NPT C218/C+218</i>	1
	<i>S218F-01C</i>	<i>CASING,2X1-1/2,FLNGD C218/C+218</i>	1
2	S218-02CP-316L	IMPELLER,+218/+318 C+ IC+	1
3	S328-90A-U	GASKET,218/328,CASING,BUNA C C+	1
	<i>S328-90A-E</i>	<i>GASKET,218/328,CASING,EPDM C C+</i>	1
	<i>S328-90A-V</i>	<i>GASKET,218/328,CASING,VIT C C+</i>	1
4	328IC+11-316	BACKPLATE,218/328 IC+	1
5	216D-11-1-S	PIN,BACKPLT,114/216/328 C C+	2
6	GS8101350	KIT,218/328,SC/CA/VI CB+	1
12	S328-91C-316L	NUT,+218/+328/+3218,IMP C+ DB	1
13	S328-25A-U	GASKET,218/328,IMP NUT,BUNA C C+	1
	<i>S328-25A-E</i>	<i>GASKET,218/328,IMP NUT,EPDM C C+</i>	1
	<i>S328-25A-V</i>	<i>GASKET,218/328,IMP NUT,VIT C C+</i>	1
14	S328-25B-U	GASKET,218/328,IMP,BACK,BUNA C C+	1
	<i>S328-25B-E</i>	<i>GASKET,218/328,IMP, BACK,EPDM C C+</i>	1
	<i>S328-25B-V</i>	<i>GASKET,218/328,IMP,BACK,VIT C C+</i>	1
15	S328-95C-316L	KEY,IMP,218/318/328 C+	1
16	C328E-25TP-06	STUBSHAFT,250TC C+218/328	1
17	S328-75AR-S	CLAMP,218/328,CASING C C+	1
18	SX18000016	COLLAR,250TC/280TSC,SHAFT LC	1
19	328D25T-71C-SS	ADAPTER,250TC FRAME,SS C218/C328/C+218/C+328	1
20	C328-25T-131-S	GUARD,SEAL,218/328/428,SS C C+ CB+ 250TC	1
21	GX5079600	CAPSCRW,HX,1/4-20X1/2,18-8SS HX HD	1
22	SC1710H-SS	CAPSCRW,HX,1/2-13X1,18-8SS HX HD	4



Exploded View

Optional Items Shown in ITALICS

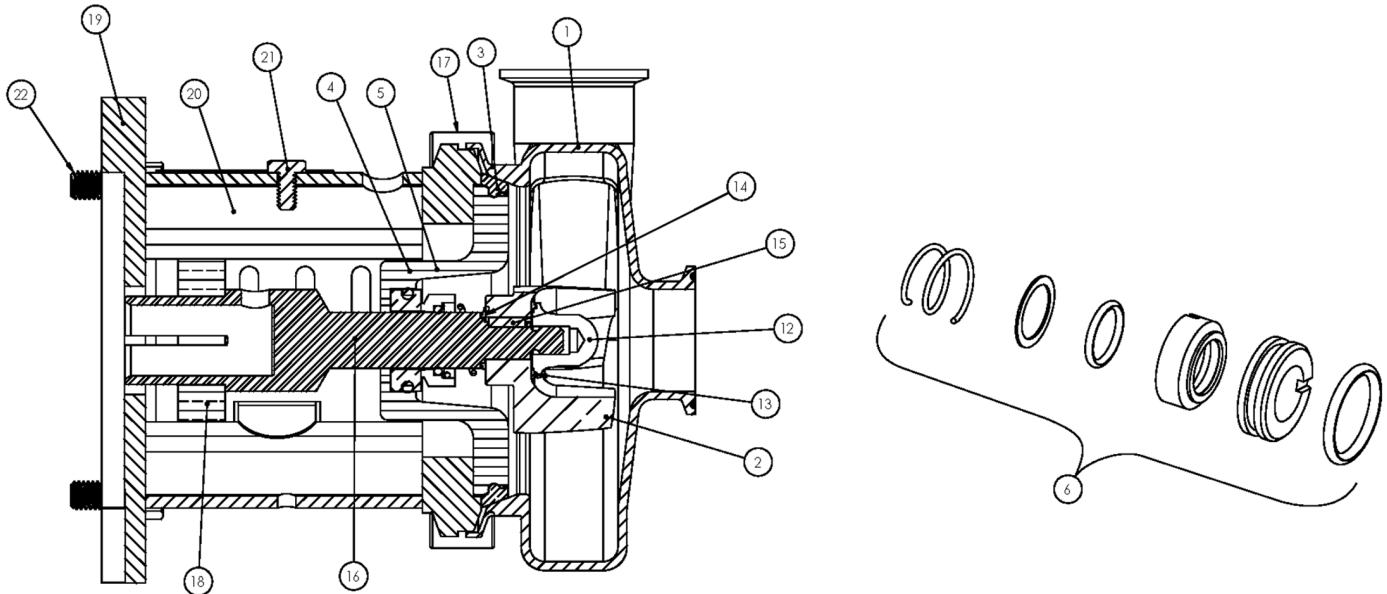
Ref #	Component Item No.	Description	Qty Per
1	S218M-01D-316L	CASING,2X1-1/2,TRI-CLMP C218/C+218	1
	<i>S218T-01C</i>	<i>CASING,2X1-1/2,BVL SEAT C218/C+218</i>	1
	<i>S218MI-01D</i>	<i>CASING,2X1-1/2,CLMP GLASS BEAD C218/C+218</i>	1
	<i>S218S-01C</i>	<i>CASING,2X1-1/2,NPT C218/C+218</i>	1
	<i>S218F-01C</i>	<i>CASING,2X1-1/2,FLNGD C218/C+218</i>	1
2	S218-02CP-316L	IMPELLER,+218/+318 C+ IC+	1
3	S328-90A-U	GASKET,218/328,CASING,BUNA C C+	1
	<i>S328-90A-E</i>	<i>GASKET,218/328,CASING,EPDM C C+</i>	1
	<i>S328-90A-V</i>	<i>GASKET,218/328,CASING,VIT C C+</i>	1
4	328IC+11-316	BACKPLATE,218/328 IC+	1
5	216D-11-1-S	PIN,BACKPLT,114/216/328 C C+	2
6	GS8101350	KIT,218/328,SC/CA/VI CB+	1
12	S328-91C-316L	NUT,+218/+328/+3218,IMP C+ DB	1
13	S328-25A-U	GASKET,218/328,IMP NUT,BUNA C C+	1
	<i>S328-25A-E</i>	<i>GASKET,218/328,IMP NUT,EPDM C C+</i>	1
	<i>S328-25A-V</i>	<i>GASKET,218/328,IMP NUT,VIT C C+</i>	1
14	S328-25B-U	GASKET,218/328,IMP,BACK,BUNA C C+	1
	<i>S328-25B-E</i>	<i>GASKET,218/328,IMP, BACK,EPDM C C+</i>	1
	<i>S328-25B-V</i>	<i>GASKET,218/328,IMP,BACK,VIT C C+</i>	1
15	S328-95C-316L	KEY,IMP,218/318/328 C+	1
16	C328E-28TPC-06	STUBSHAFT,280TC C+218/328	1
17	S328-75AR-S	CLAMP,218/328,CASING C C+	1
18	SX18000027	COLLAR,280TC/320TSC,SHAFT LC	1
19	328D28T-71C-SS	ADAPTER,280TC/TSC FRAME,SS C218/C328/C+218/C+328	1
20	C328-28T-131-S	GUARD,SEAL,218/328/428/4410,SS C C+	1
21	GX5079600	CAPSCRW,HX,1/4-20X1/2,18-8SS HX HD	1
22	SC1710H-SS	CAPSCRW,HX,1/2-13X1,18-8SS HX HD	4



Exploded View

Optional Items Shown in ITALICS

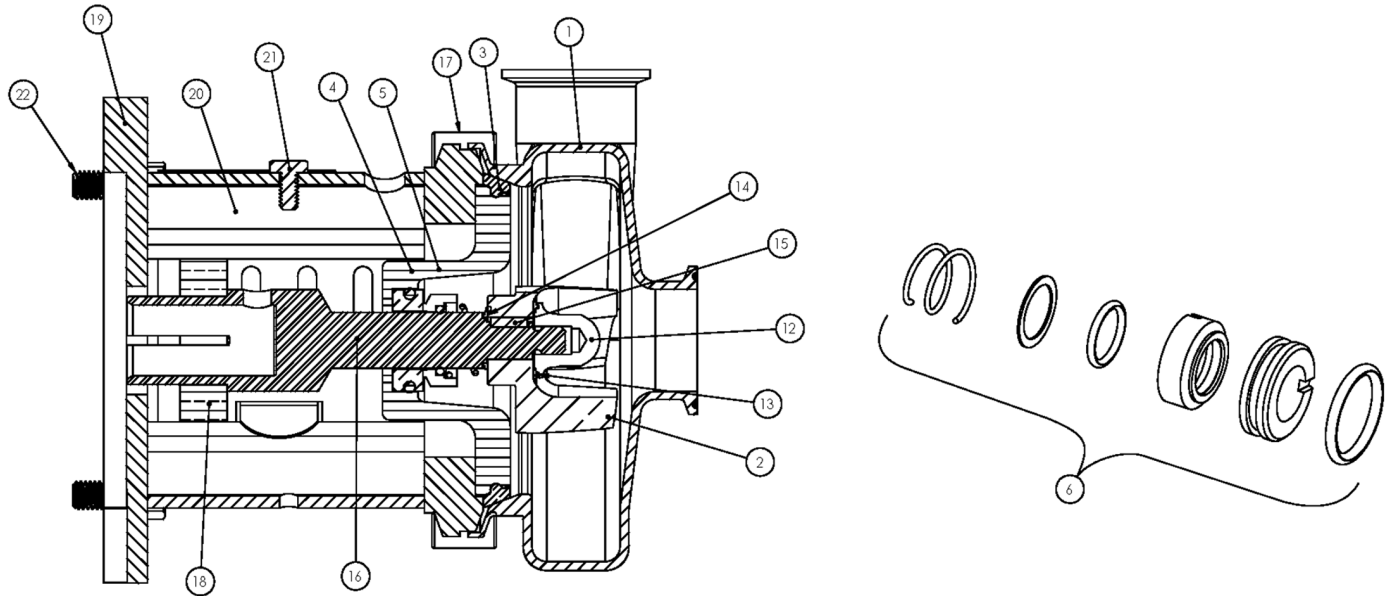
Ref #	Component Item No.	Description	Qty Per
1	S218M-01D-316L	CASING,2X1-1/2,TRI-CLMP C218/C+218	1
	<i>S218T-01C</i>	<i>CASING,2X1-1/2,BVL SEAT C218/C+218</i>	1
	<i>S218MI-01D</i>	<i>CASING,2X1-1/2,CLMP GLASS BEAD C218/C+218</i>	1
	<i>S218S-01C</i>	<i>CASING,2X1-1/2,NPT C218/C+218</i>	1
	<i>S218F-01C</i>	<i>CASING,2X1-1/2,FLNGD C218/C+218</i>	1
2	S218-02CP-316L	IMPELLER,+218/+318 C+ IC+	1
3	S328-90A-U	GASKET,218/328,CASING,BUNA C C+	1
	<i>S328-90A-E</i>	<i>GASKET,218/328,CASING,EPDM C C+</i>	1
	<i>S328-90A-V</i>	<i>GASKET,218/328,CASING,VIT C C+</i>	1
4	328IC+11-316	BACKPLATE,218/328 IC+	1
5	216D-11-1-S	PIN,BACKPLT,114/216/328 C C+	2
6	GS8101350	KIT,218/328,SC/CA/VI CB+	1
12	S328-91C-316L	NUT,+218/+328/+3218,IMP C+ DB	1
13	S328-25A-U	GASKET,218/328,IMP NUT,BUNA C C+	1
	<i>S328-25A-E</i>	<i>GASKET,218/328,IMP NUT,EPDM C C+</i>	1
	<i>S328-25A-V</i>	<i>GASKET,218/328,IMP NUT,VIT C C+</i>	1
14	S328-25B-U	GASKET,218/328,IMP,BACK,BUNA C C+	1
	<i>S328-25B-E</i>	<i>GASKET,218/328,IMP, BACK,EPDM C C+</i>	1
	<i>S328-25B-V</i>	<i>GASKET,218/328,IMP,BACK,VIT C C+</i>	1
15	S328-95C-316L	KEY,IMP,218/318/328 C+	1
16	C328E-28TP-06	STUBSHAFT,280TSC C+218/328	1
17	S328-75AR-S	CLAMP,218/328,CASING C C+	1
18	SX18000035	COLLAR,250TC/280TSC,SHAFT LC	1
19	328D28T-71C-SS	ADAPTER,280TC/TSC FRAME,SS C218/C328/C+218/C+328	1
20	C328-28T-131-S	GUARD,SEAL,218/328/428/4410,SS C C+	1
21	GX5079600	CAPSCRW,HX,1/4-20X1/2,18-8SS HX HD	1
22	SC1710H-SS	CAPSCRW,HX,1/2-13X1,18-8SS HX HD	4



Exploded View

Optional Items Shown in ITALICS

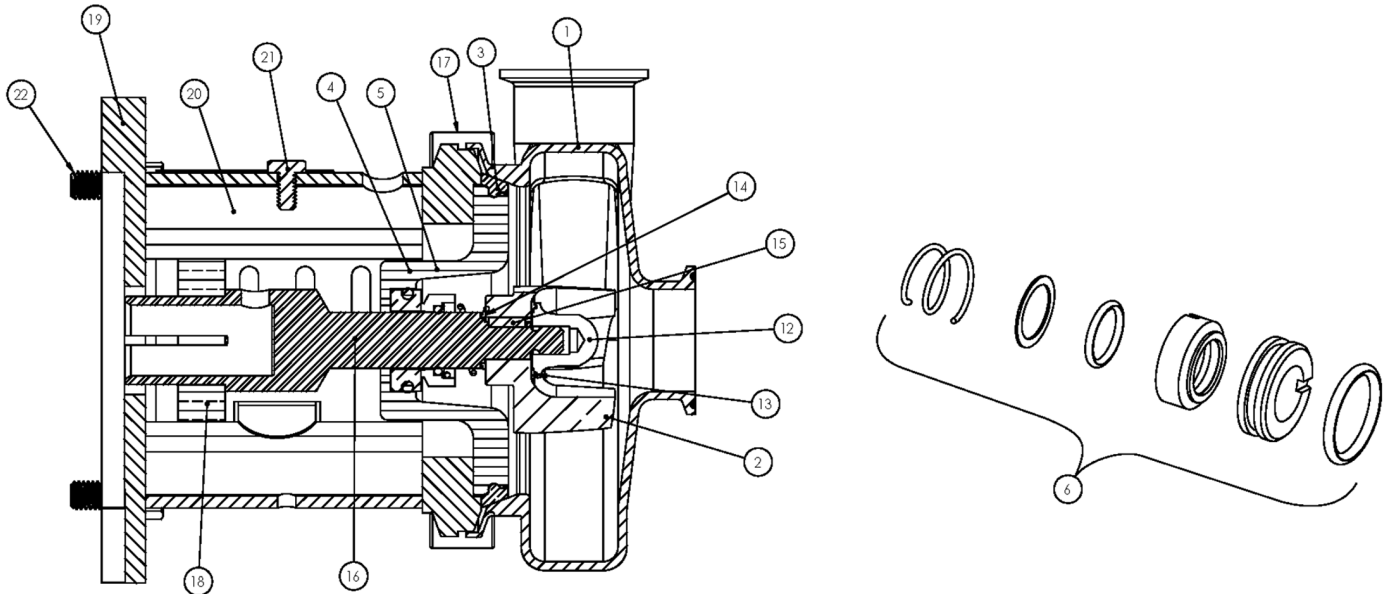
Ref #	Component Item No.	Description	Qty Per
1	S218M-01D-316L	CASING,2X1-1/2,TRI-CLMP C218/C+218	1
	<i>S218T-01C</i>	<i>CASING,2X1-1/2,BVL SEAT C218/C+218</i>	1
	<i>S218MI-01D</i>	<i>CASING,2X1-1/2,CLMP GLASS BEAD C218/C+218</i>	1
	<i>S218S-01C</i>	<i>CASING,2X1-1/2,NPT C218/C+218</i>	1
	<i>S218F-01C</i>	<i>CASING,2X1-1/2,FLNGD C218/C+218</i>	1
2	S218-02CP-316L	IMPELLER,+218/+318 C+ IC+	1
3	S328-90A-U	GASKET,218/328,CASING,BUNA C C+	1
	<i>S328-90A-E</i>	<i>GASKET,218/328,CASING,EPDM C C+</i>	1
	<i>S328-90A-V</i>	<i>GASKET,218/328,CASING,VIT C C+</i>	1
4	328IC+11-316	BACKPLATE,218/328 IC+	1
6	GS8101350	KIT,218/328,SC/CA/VI CB+	1
11	SC1105A-SS	SCREW,SET,DRV COLLR,1/4-20X3/8 -SS	2
12	GX5516000	NUT,HEX,M14-2.0,18-8SS HEX NUT	4
	S328-91C-316L	NUT,+218/+328/+3218,IMP C+ DB	1
13	S328-25A-U	GASKET,218/328,IMP NUT,BUNA C C+	1
	<i>S328-25A-E</i>	<i>GASKET,218/328,IMP NUT,EPDM C C+</i>	1
	<i>S328-25A-V</i>	<i>GASKET,218/328,IMP NUT,VIT C C+</i>	1
14	S328-25B-U	GASKET,218/328,IMP,BACK,BUNA C C+	1
	<i>S328-25B-E</i>	<i>GASKET,218/328,IMP, BACK,EPDM C C+</i>	1
	<i>S328-25B-V</i>	<i>GASKET,218/328,IMP,BACK,VIT C C+</i>	1
15	S328-95C-316L	KEY,IMP,218/318/328 C+	1
16	C328E-112P-06	STUBSHAFT,100/112 IEC,METRIC C+218/328	1
17	S328-75AR-S	CLAMP,218/328,CASING C C+	1
18	SX18000814	COLLAR,100/112 IEC,SHAFT,MTRIC	1
19	328D112-71C-B5	ADAPTER,100/112 IEC B5 FRAME C218/C328/C+218/C+328	1
20	C328-21T-131-S	GUARD,SEAL,218/318/328/428,SS C C+ CB+ 210TC	1
22	GX5516145	CAPSCRW,HX,M14-2.0X55MM,18-8SS HX HD	4



Exploded View

Optional Items Shown in ITALICS

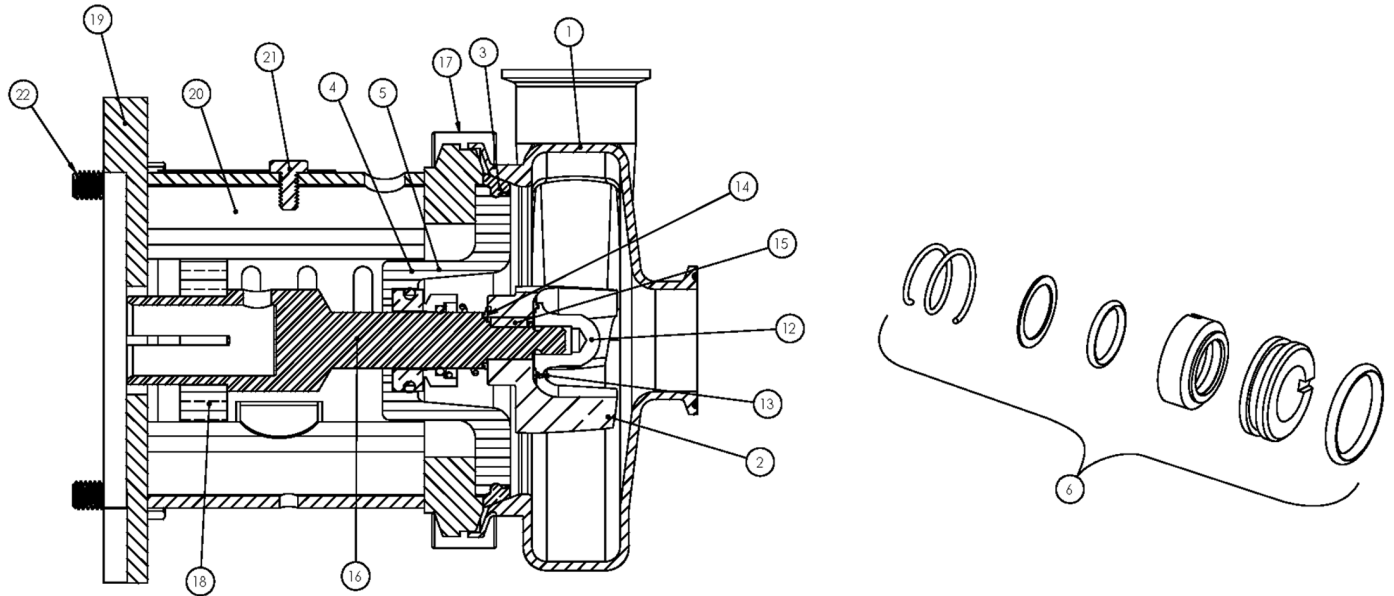
Ref #	Component Item No.	Description	Qty Per
37	GX5516010	WASHER, LOCK, M14, 18-8SS	4
38	GX5516015	WASHER, FLAT, M14, 18-8SS	8



Exploded View

Optional Items Shown in ITALICS

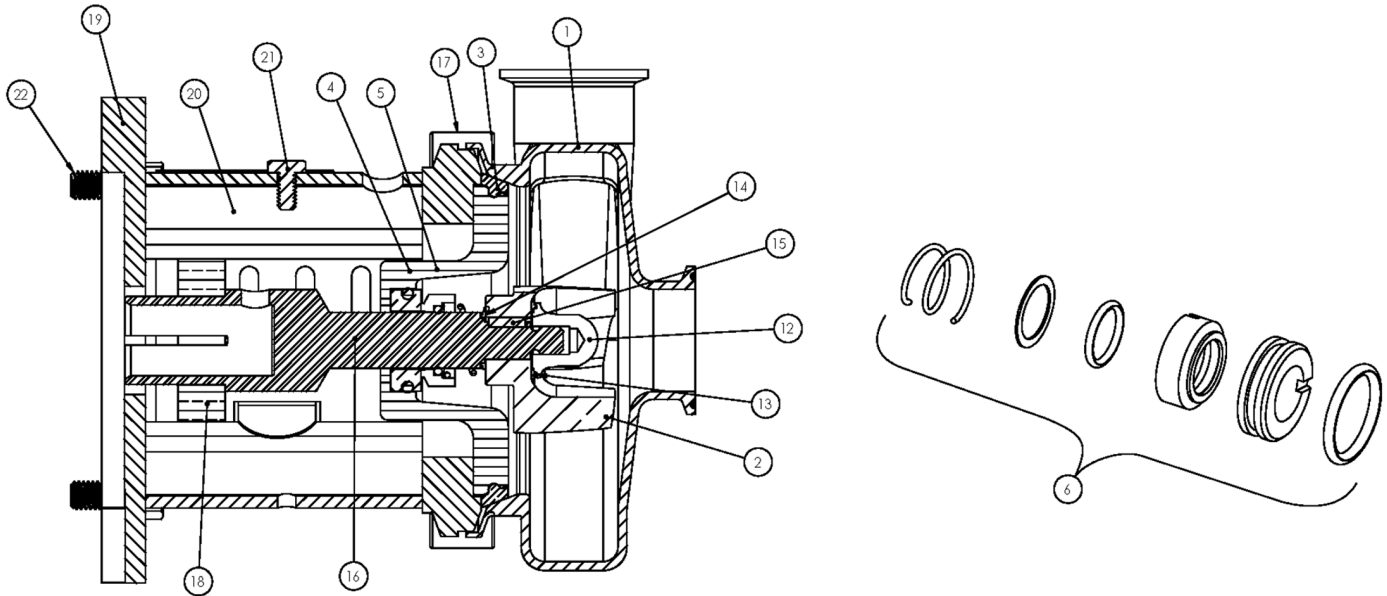
Ref #	Component Item No.	Description	Qty Per
1	S218M-01D-316L	CASING,2X1-1/2,TRI-CLMP C218/C+218	1
	<i>S218T-01C</i>	<i>CASING,2X1-1/2,BVL SEAT C218/C+218</i>	1
	<i>S218MI-01D</i>	<i>CASING,2X1-1/2,CLMP GLASS BEAD C218/C+218</i>	1
	<i>S218S-01C</i>	<i>CASING,2X1-1/2,NPT C218/C+218</i>	1
	<i>S218F-01C</i>	<i>CASING,2X1-1/2,FLNGD C218/C+218</i>	1
2	S218-02CP-316L	IMPELLER,+218/+318 C+ IC+	1
3	S328-90A-U	GASKET,218/328,CASING,BUNA C C+	1
	<i>S328-90A-E</i>	<i>GASKET,218/328,CASING,EPDM C C+</i>	1
	<i>S328-90A-V</i>	<i>GASKET,218/328,CASING,VIT C C+</i>	1
4	328IC+11-316	BACKPLATE,218/328 IC+	1
6	GS8101350	KIT,218/328,SC/CA/VI CB+	1
11	SC1105A-SS	SCREW,SET,DRV COLLR,1/4-20X3/8 -SS	2
12	GX5516000	NUT,HEX,M14-2.0,18-8SS HEX NUT	4
	S328-91C-316L	NUT,+218/+328/+3218,IMP C+ DB	1
13	S328-25A-U	GASKET,218/328,IMP NUT,BUNA C C+	1
	<i>S328-25A-E</i>	<i>GASKET,218/328,IMP NUT,EPDM C C+</i>	1
	<i>S328-25A-V</i>	<i>GASKET,218/328,IMP NUT,VIT C C+</i>	1
14	S328-25B-U	GASKET,218/328,IMP,BACK,BUNA C C+	1
	<i>S328-25B-E</i>	<i>GASKET,218/328,IMP, BACK,EPDM C C+</i>	1
	<i>S328-25B-V</i>	<i>GASKET,218/328,IMP,BACK,VIT C C+</i>	1
15	S328-95C-316L	KEY,IMP,218/318/328 C+	1
16	C328E-132P-06	STUBSHAFT,132 IEC,METRIC C+218/328	1
17	S328-75AR-S	CLAMP,218/328,CASING C C+	1
18	SX18000815	COLLAR,132 IEC,SHAFT,MTRIC	1
19	328D132T-71C-B5	ADAPTER,132 IEC B5 FRAME,SS C218/C328/C+218/C+328	1
20	C328-21T-131-S	GUARD,SEAL,218/318/328/428,SS C C+ CB+ 210TC	1
22	GX5516150	CAPSCRW,HX,M14-2.0X60MM,18-8SS HX HD	4



Exploded View

Optional Items Shown in ITALICS

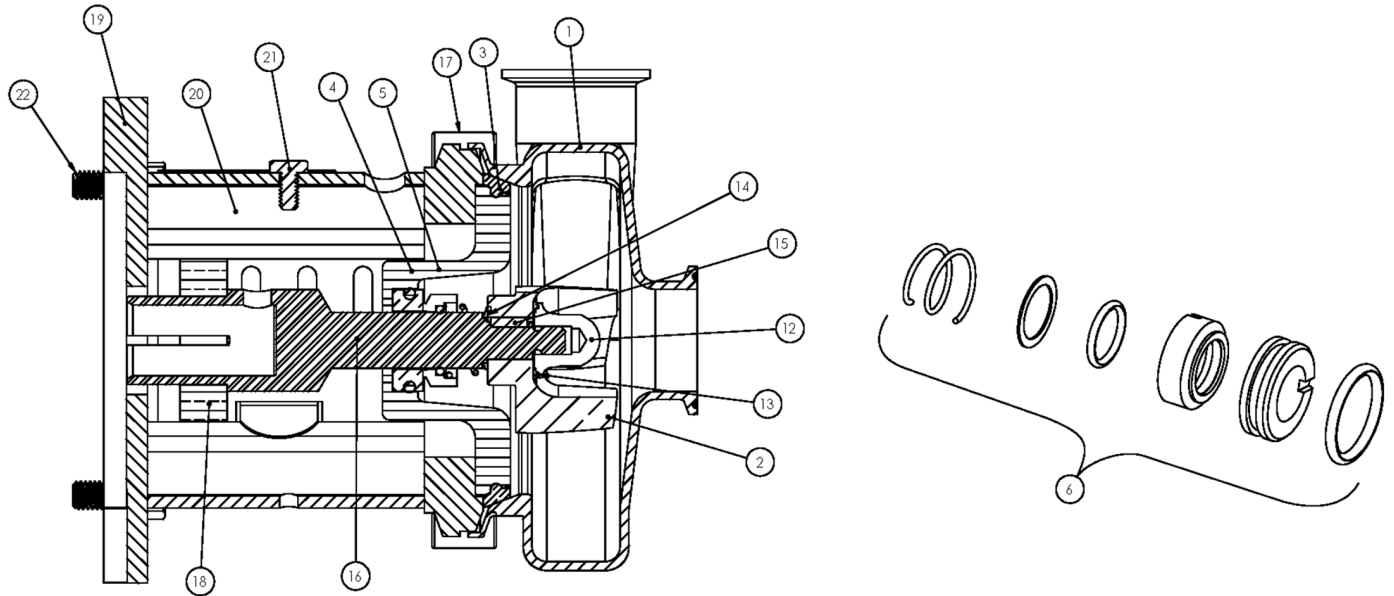
Ref #	Component Item No.	Description	Qty Per
37	GX5516010	WASHER, LOCK, M14, 18-8SS	4
38	GX5516015	WASHER, FLAT, M14, 18-8SS	8



Exploded View

Optional Items Shown in ITALICS

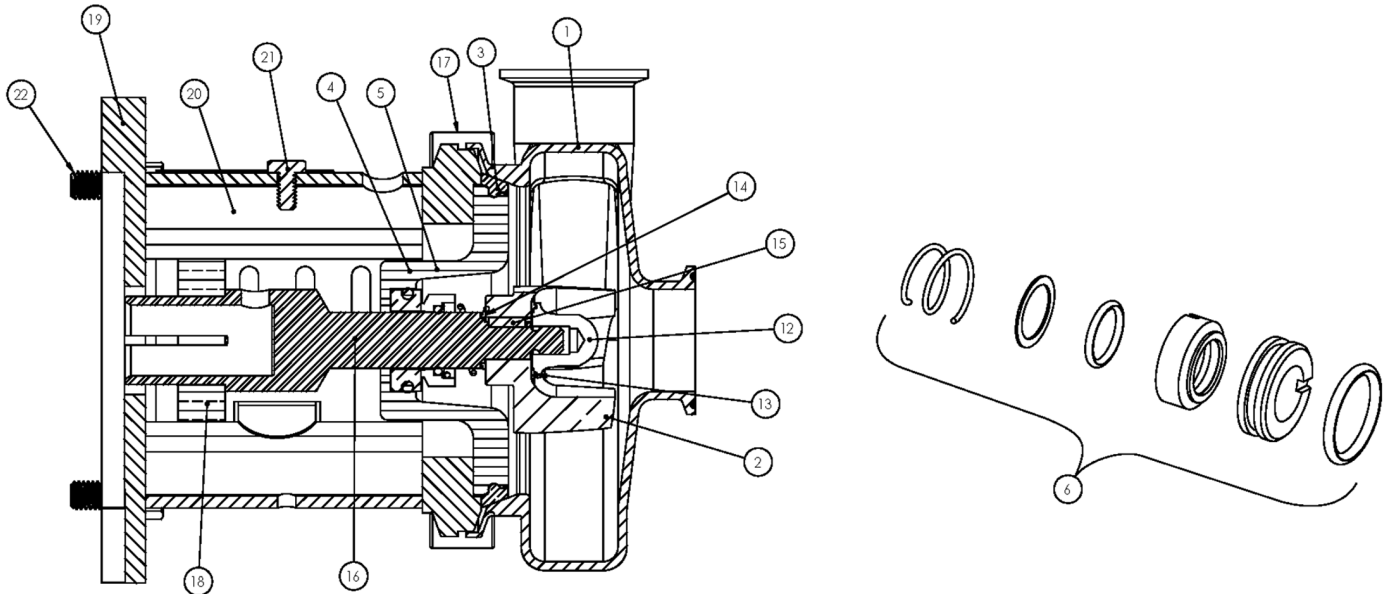
Ref #	Component Item No.	Description	Qty Per
1	S218M-01D-316L	CASING,2X1-1/2,TRI-CLMP C218/C+218	1
	<i>S218T-01C</i>	<i>CASING,2X1-1/2,BVL SEAT C218/C+218</i>	1
	<i>S218MI-01D</i>	<i>CASING,2X1-1/2,CLMP GLASS BEAD C218/C+218</i>	1
	<i>S218S-01C</i>	<i>CASING,2X1-1/2,NPT C218/C+218</i>	1
	<i>S218F-01C</i>	<i>CASING,2X1-1/2,FLNGD C218/C+218</i>	1
2	S218-02CP-316L	IMPELLER,+218/+318 C+ IC+	1
3	S328-90A-U	GASKET,218/328,CASING,BUNA C C+	1
	<i>S328-90A-E</i>	<i>GASKET,218/328,CASING,EPDM C C+</i>	1
	<i>S328-90A-V</i>	<i>GASKET,218/328,CASING,VIT C C+</i>	1
4	328IC+11-316	BACKPLATE,218/328 IC+	1
6	GS8101350	KIT,218/328,SC/CA/VI CB+	1
11	SC1105A-SS	SCREW,SET,DRV COLLR,1/4-20X3/8 -SS	2
12	GX5518000	NUT,HEX,M18-2.5,18-8SS HEX NUT	4
	S328-91C-316L	NUT,+218/+328/+3218,IMP C+ DB	1
13	S328-25A-U	GASKET,218/328,IMP NUT,BUNA C C+	1
	<i>S328-25A-E</i>	<i>GASKET,218/328,IMP NUT,EPDM C C+</i>	1
	<i>S328-25A-V</i>	<i>GASKET,218/328,IMP NUT,VIT C C+</i>	1
14	S328-25B-U	GASKET,218/328,IMP,BACK,BUNA C C+	1
	<i>S328-25B-E</i>	<i>GASKET,218/328,IMP, BACK,EPDM C C+</i>	1
	<i>S328-25B-V</i>	<i>GASKET,218/328,IMP,BACK,VIT C C+</i>	1
15	S328-95C-316L	KEY,IMP,218/318/328 C+	1
16	C328E-160TP-06	STUBSHAFT,160 IEC,METRIC C+218/328	1
17	S328-75AR-S	CLAMP,218/328,CASING C C+	1
18	SX18000816	COLLAR,160,IEC,SHAFT,MTRIC	1
19	328D160T-71C-B5	ADAPTER,160 IEC B5 FRAME,SS C218/C328/C+218/C+328	1
20	C328-21T-131-S	GUARD,SEAL,218/318/328/428,SS C C+ CB+ 210TC	1
22	GX5518170	CAPSCRW,HX,M18-2.5X70MM,18-8SS HX HD	4



Exploded View

Optional Items Shown in ITALICS

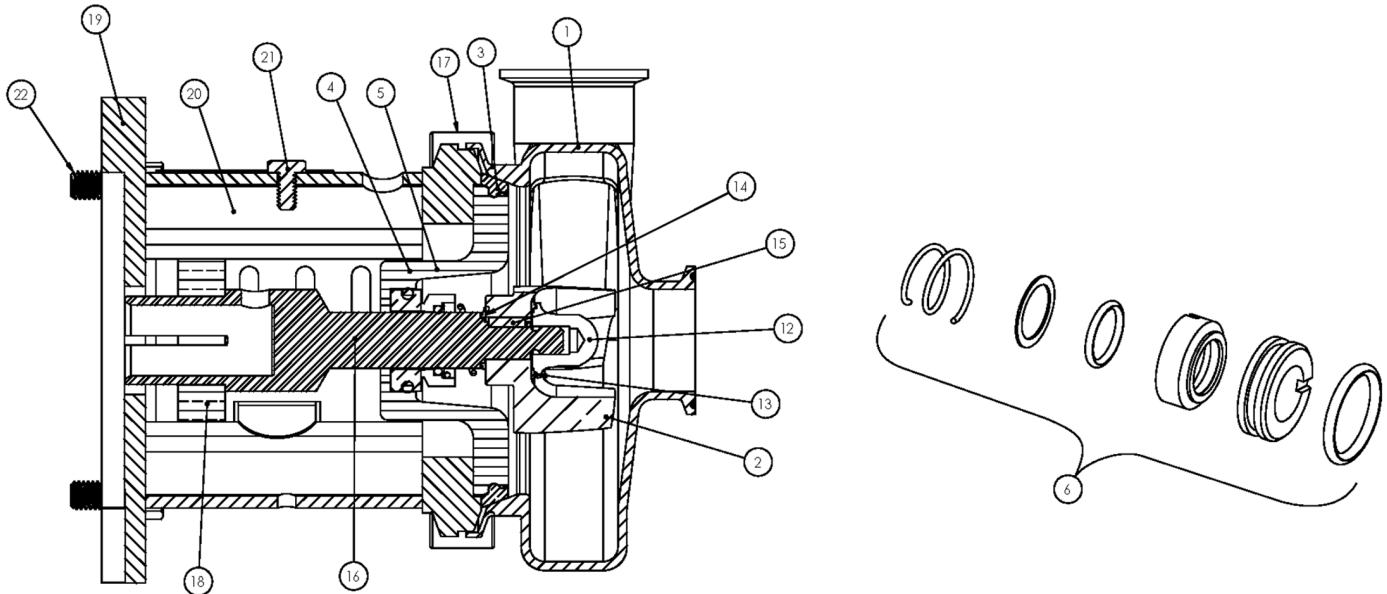
Ref #	Component Item No.	Description	Qty Per
37	GX5518010	WASHER, LOCK, M18, 18-8SS	4
38	GX5518015	WASHER, FLAT, M18, 18-8SS	8



Exploded View

Optional Items Shown in ITALICS

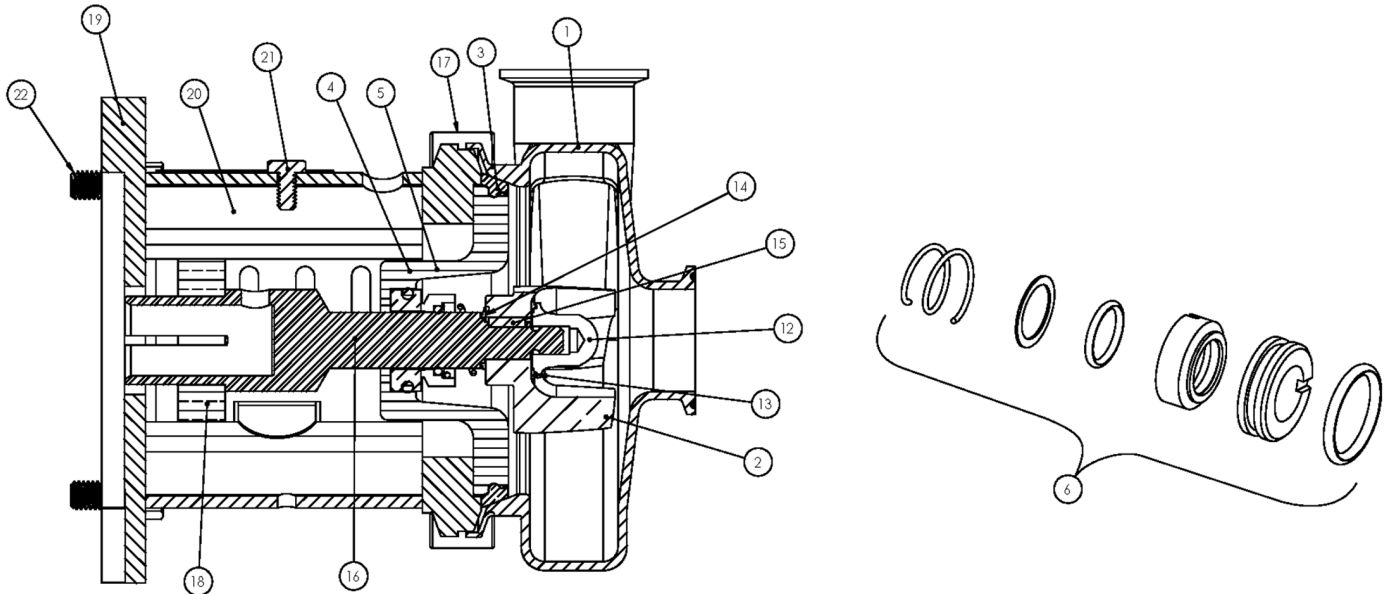
Ref #	Component Item No.	Description	Qty Per
1	S316M-01C-E	CASING,2-1/2X1-1/2,TRI-CLMP C316/C+316	1
	<i>S316T-01C-E</i>	<i>CASING,2-1/2X1-1/2,BVL SEAT C316/C+316</i>	1
	<i>S316MI-01C-E</i>	<i>CASING,2-1/2X1-1/2,CLMP GLASS C316/C+316</i>	1
	<i>S316S-01C-E</i>	<i>CASING,2-1/2X1-1/2,NPT C316/C+316</i>	1
	<i>S316F-01D-E</i>	<i>CASING,2-1/2X1-1/2,FLNGD C316/C+316</i>	1
2	S216-02CP-316L	IMPELLER,+216/+316 C+ CB+ IC+	1
3	S216-90A-U	GASKET,216,CASING,BUNA C C+	1
	<i>S216-90A-E</i>	<i>GASKET,216,CASING,EPDM C C+</i>	1
	<i>S216-90A-V</i>	<i>GASKET,216,CASING,VIT C C+</i>	1
4	216IC+11-316	BACKPLATE,216 IC+	1
5	216D-11-1-S	PIN,BACKPLT,114/216/328 C C+	2
6	GS8101250	KIT,216/316,SC/CA/VI CB+	1
12	S216-91C-316L	NUT,+216/+316/+2116,IMP C+ D	1
13	S216-25A-U	GASKET,216,IMP NUT,BUNA C+	1
	<i>S216-25A-E</i>	<i>GASKET,216,IMP NUT,EPDM C+</i>	1
	<i>S216-25A-V</i>	<i>GASKET,216,IMP NUT,VIT C+</i>	1
14	S216-25B-U	GASKET,216,IMP,BACK,BUNA C+	1
	<i>S216-25B-E</i>	<i>GASKET,216,IMP,BACK,EPDM C+</i>	1
	<i>S216-25B-V</i>	<i>GASKET,216,IMP,BACK,VIT C+</i>	1
15	S216-95C-316L	KEY, IMP,216 C+	1
16	C216E-56TP-06	STUBSHAFT,56C C+216	1
17	S216-75AR-S	CLAMP,216,CASING C C+	1
18	SX18000013	COLLAR,56C/140TC,SHAFT L SEE ITEM NOTES	1
19	216D56T-71C-SS	ADAPTER,56C-140TC,SS C216/C+216	1
20	C216-56T-131-S	GUARD,SEAL,216/316,SS C C+ CB+ IC+ 56C-140TC	1
21	GX5079600	CAPSCRW,HX,1/4-20X1/2,18-8SS HX HD	1
22	GX5077100	CAPSCRW,HX,3/8-16X1,18-8SS HX HD	4



Exploded View

Optional Items Shown in ITALICS

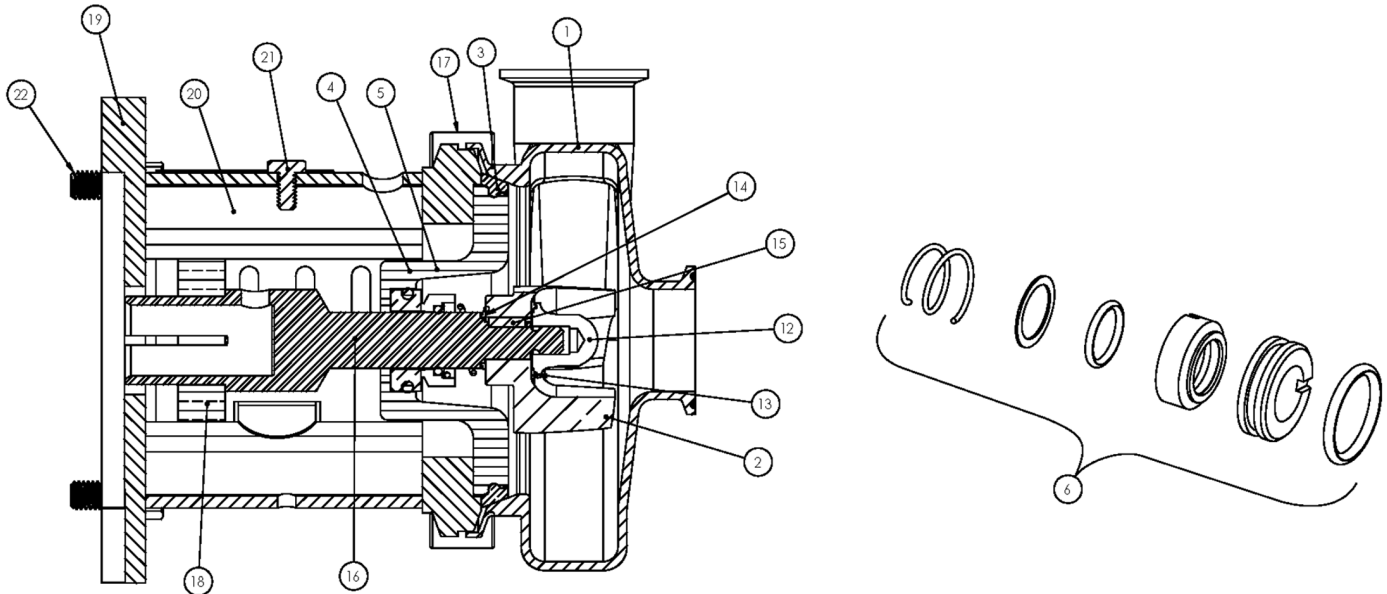
Ref #	Component Item No.	Description	Qty Per
1	S316M-01C-E	CASING,2-1/2X1-1/2,TRI-CLMP C316/C+316	1
	<i>S316T-01C-E</i>	<i>CASING,2-1/2X1-1/2,BVL SEAT C316/C+316</i>	1
	<i>S316MI-01C-E</i>	<i>CASING,2-1/2X1-1/2,CLMP GLASS C316/C+316</i>	1
	<i>S316S-01C-E</i>	<i>CASING,2-1/2X1-1/2,NPT C316/C+316</i>	1
	<i>S316F-01D-E</i>	<i>CASING,2-1/2X1-1/2,FLNGD C316/C+316</i>	1
2	S216-02CP-316L	IMPELLER,+216/+316 C+ CB+ IC+	1
3	S216-90A-U	GASKET,216,CASING,BUNA C C+	1
	<i>S216-90A-E</i>	<i>GASKET,216,CASING,EPDM C C+</i>	1
	<i>S216-90A-V</i>	<i>GASKET,216,CASING,VIT C C+</i>	1
4	216IC+11-316	BACKPLATE,216 IC+	1
5	216D-11-1-S	PIN,BACKPLT,114/216/328 C C+	2
6	GS8101250	KIT,216/316,SC/CA/VI CB+	1
12	S216-91C-316L	NUT,+216/+316/+2116,IMP C+ D	1
13	S216-25A-U	GASKET,216,IMP NUT,BUNA C+	1
	<i>S216-25A-E</i>	<i>GASKET,216,IMP NUT,EPDM C+</i>	1
	<i>S216-25A-V</i>	<i>GASKET,216,IMP NUT,VIT C+</i>	1
14	S216-25B-U	GASKET,216,IMP,BACK,BUNA C+	1
	<i>S216-25B-E</i>	<i>GASKET,216,IMP,BACK,EPDM C+</i>	1
	<i>S216-25B-V</i>	<i>GASKET,216,IMP,BACK,VIT C+</i>	1
15	S216-95C-316L	KEY, IMP,216 C+	1
16	C216E-14TP-06	STUBSHAFT,140TC C+216	1
17	S216-75AR-S	CLAMP,216,CASING C C+	1
18	SX18000013	COLLAR,56C/140TC,SHAFT L SEE ITEM NOTES	1
19	216D56T-71C-SS	ADAPTER,56C-140TC,SS C216/C+216	1
20	C216-56T-131-S	GUARD,SEAL,216/316,SS C C+ CB+ IC+ 56C-140TC	1
21	GX5079600	CAPSCRW,HX,1/4-20X1/2,18-8SS HX HD	1
22	GX5077100	CAPSCRW,HX,3/8-16X1,18-8SS HX HD	4



Exploded View

Optional Items Shown in ITALICS

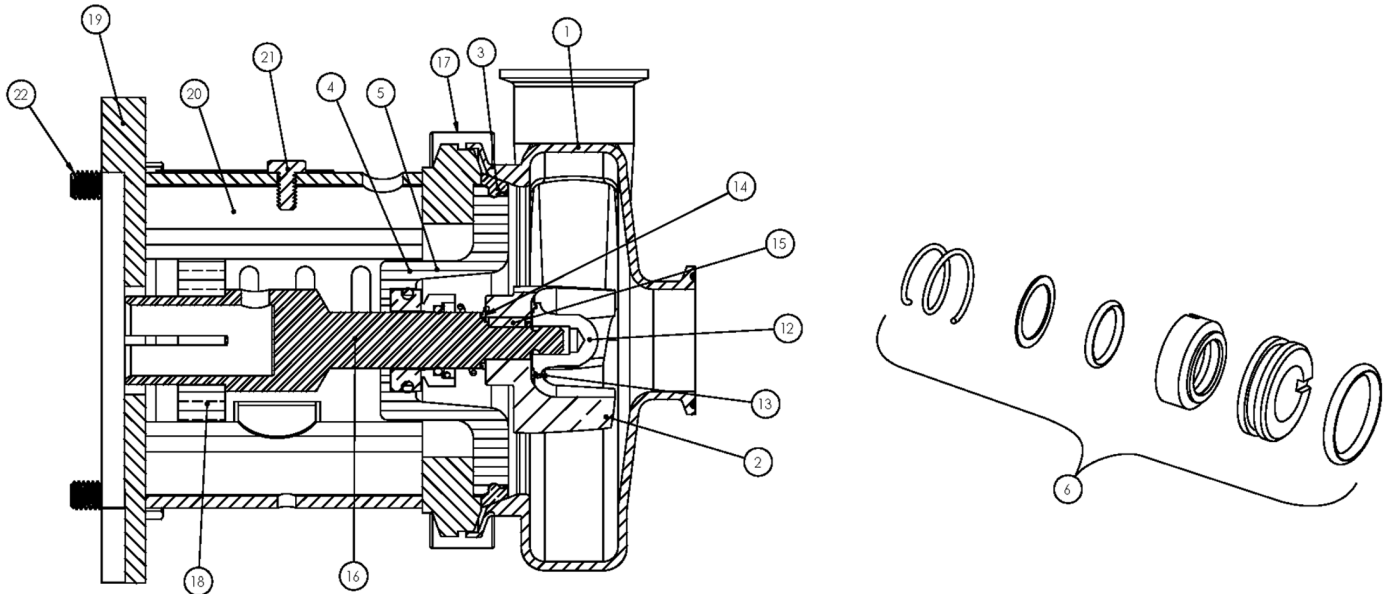
Ref #	Component Item No.	Description	Qty Per
1	S316M-01C-E	CASING,2-1/2X1-1/2,TRI-CLMP C316/C+316	1
	<i>S316T-01C-E</i>	<i>CASING,2-1/2X1-1/2,BVL SEAT C316/C+316</i>	1
	<i>S316MI-01C-E</i>	<i>CASING,2-1/2X1-1/2,CLMP GLASS C316/C+316</i>	1
	<i>S316S-01C-E</i>	<i>CASING,2-1/2X1-1/2,NPT C316/C+316</i>	1
	<i>S316F-01D-E</i>	<i>CASING,2-1/2X1-1/2,FLNGD C316/C+316</i>	1
2	S216-02CP-316L	IMPELLER,+216/+316 C+ CB+ IC+	1
3	S216-90A-U	GASKET,216,CASING,BUNA C C+	1
	<i>S216-90A-E</i>	<i>GASKET,216,CASING,EPDM C C+</i>	1
	<i>S216-90A-V</i>	<i>GASKET,216,CASING,VIT C C+</i>	1
4	216IC+11-316	BACKPLATE,216 IC+	1
5	216D-11-1-S	PIN,BACKPLT,114/216/328 C C+	2
6	GS8101250	KIT,216/316,SC/CA/VI CB+	1
12	S216-91C-316L	NUT,+216/+316/+2116,IMP C+ D	1
13	S216-25A-U	GASKET,216,IMP NUT,BUNA C+	1
	<i>S216-25A-E</i>	<i>GASKET,216,IMP NUT,EPDM C+</i>	1
	<i>S216-25A-V</i>	<i>GASKET,216,IMP NUT,VIT C+</i>	1
14	S216-25B-U	GASKET,216,IMP,BACK,BUNA C+	1
	<i>S216-25B-E</i>	<i>GASKET,216,IMP,BACK,EPDM C+</i>	1
	<i>S216-25B-V</i>	<i>GASKET,216,IMP,BACK,VIT C+</i>	1
15	S216-95C-316L	KEY, IMP,216 C+	1
16	C216E-18TP-06	STUBSHAFT,180TC C+216	1
17	S216-75AR-S	CLAMP,216,CASING C C+	1
18	SX18000014	COLLAR,180TC,SHAFT LC	1
19	216D18T-71D-SS	ADAPTER,180TC FRAME SS C216/C+216	1
20	C216-18T-131-S	GUARD,SEAL,216/316,SS C C+ IC+ 180TC	1
21	GX5079600	CAPSCRW,HX,1/4-20X1/2,18-8SS HX HD	1
22	SC1710H-SS	CAPSCRW,HX,1/2-13X1,18-8SS HX HD	4



Exploded View

Optional Items Shown in ITALICS

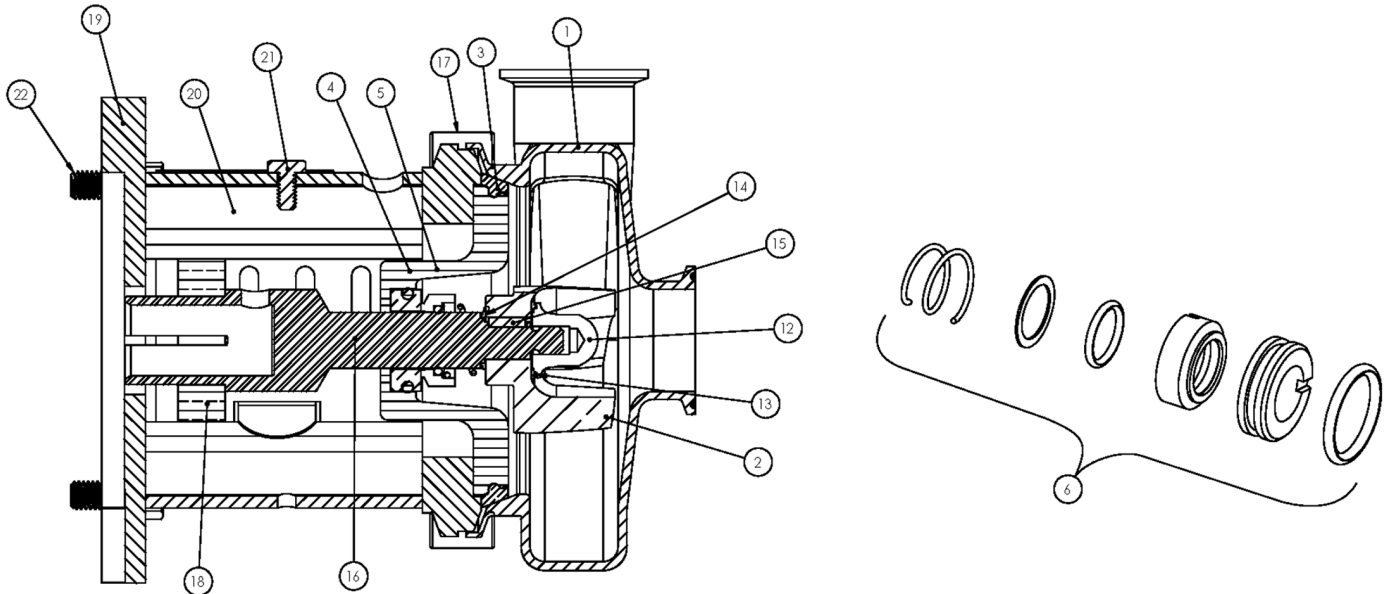
Ref #	Component Item No.	Description	Qty Per
1	S316M-01C-E	CASING,2-1/2X1-1/2,TRI-CLMP C316/C+316	1
	<i>S316T-01C-E</i>	<i>CASING,2-1/2X1-1/2,BVL SEAT C316/C+316</i>	1
	<i>S316MI-01C-E</i>	<i>CASING,2-1/2X1-1/2,CLMP GLASS C316/C+316</i>	1
	<i>S316S-01C-E</i>	<i>CASING,2-1/2X1-1/2,NPT C316/C+316</i>	1
	<i>S316F-01D-E</i>	<i>CASING,2-1/2X1-1/2,FLNGD C316/C+316</i>	1
2	S216-02CP-316L	IMPELLER,+216/+316 C+ CB+ IC+	1
3	S216-90A-U	GASKET,216,CASING,BUNA C C+	1
	<i>S216-90A-E</i>	<i>GASKET,216,CASING,EPDM C C+</i>	1
	<i>S216-90A-V</i>	<i>GASKET,216,CASING,VIT C C+</i>	1
4	216IC+11-316	BACKPLATE,216 IC+	1
5	216D-11-1-S	PIN,BACKPLT,114/216/328 C C+	2
6	GS8101250	KIT,216/316,SC/CA/VI CB+	1
12	S216-91C-316L	NUT,+216/+316/+2116,IMP C+ D	1
13	S216-25A-U	GASKET,216,IMP NUT,BUNA C+	1
	<i>S216-25A-E</i>	<i>GASKET,216,IMP NUT,EPDM C+</i>	1
	<i>S216-25A-V</i>	<i>GASKET,216,IMP NUT,VIT C+</i>	1
14	S216-25B-U	GASKET,216,IMP,BACK,BUNA C+	1
	<i>S216-25B-E</i>	<i>GASKET,216,IMP,BACK,EPDM C+</i>	1
	<i>S216-25B-V</i>	<i>GASKET,216,IMP,BACK,VIT C+</i>	1
15	S216-95C-316L	KEY, IMP,216 C+	1
16	C216E-21TP-06	STUBSHAFT,210TC C+216	1
17	S216-75AR-S	CLAMP,216,CASING C C+	1
18	SX18000015	COLLAR,210TC,SHAFT LC	1
19	216E21T-71D-SS	ADAPTER,210TC FRAME,SS C216/C+216	1
20	C216-21T-131B-S	GUARD,SEAL,216/316/+2116,SS C C+ 210TC	1
21	GX5079600	CAPSCRW,HX,1/4-20X1/2,18-8SS HX HD	1
22	SC1710H-SS	CAPSCRW,HX,1/2-13X1,18-8SS HX HD	4



Exploded View

Optional Items Shown in ITALICS

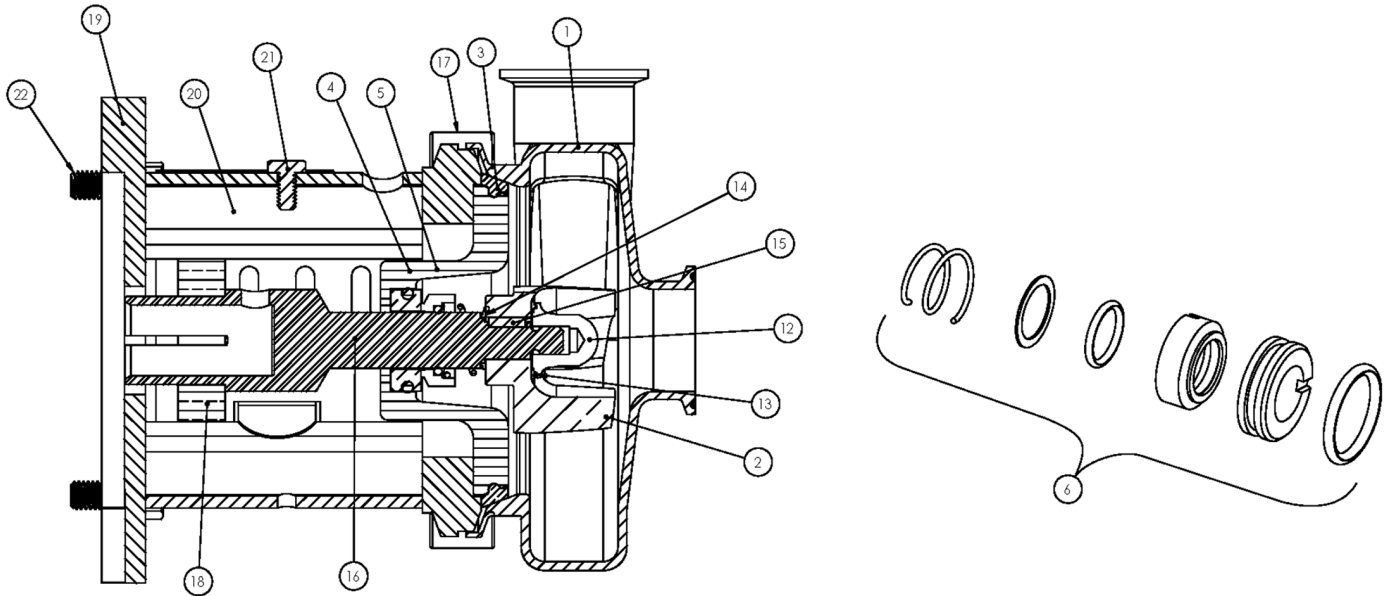
Ref #	Component Item No.	Description	Qty Per
1	S316M-01C-E	CASING,2-1/2X1-1/2,TRI-CLMP C316/C+316	1
	<i>S316T-01C-E</i>	<i>CASING,2-1/2X1-1/2,BVL SEAT C316/C+316</i>	1
	<i>S316MI-01C-E</i>	<i>CASING,2-1/2X1-1/2,CLMP GLASS C316/C+316</i>	1
	<i>S316S-01C-E</i>	<i>CASING,2-1/2X1-1/2,NPT C316/C+316</i>	1
	<i>S316F-01D-E</i>	<i>CASING,2-1/2X1-1/2,FLNGD C316/C+316</i>	1
2	S216-02CP-316L	IMPELLER,+216/+316 C+ CB+ IC+	1
3	S216-90A-U	GASKET,216,CASING,BUNA C C+	1
	<i>S216-90A-E</i>	<i>GASKET,216,CASING,EPDM C C+</i>	1
	<i>S216-90A-V</i>	<i>GASKET,216,CASING,VIT C C+</i>	1
4	216IC+11-316	BACKPLATE,216 IC+	1
5	216D-11-1-S	PIN,BACKPLT,114/216/328 C C+	2
6	GS8101250	KIT,216/316,SC/CA/VI CB+	1
12	S216-91C-316L	NUT,+216/+316/+2116,IMP C+ D	1
13	S216-25A-U	GASKET,216,IMP NUT,BUNA C+	1
	<i>S216-25A-E</i>	<i>GASKET,216,IMP NUT,EPDM C+</i>	1
	<i>S216-25A-V</i>	<i>GASKET,216,IMP NUT,VIT C+</i>	1
14	S216-25B-U	GASKET,216,IMP,BACK,BUNA C+	1
	<i>S216-25B-E</i>	<i>GASKET,216,IMP,BACK,EPDM C+</i>	1
	<i>S216-25B-V</i>	<i>GASKET,216,IMP,BACK,VIT C+</i>	1
15	S216-95C-316L	KEY, IMP,216 C+	1
16	C216E-25TP-06	STUBSHAFT,250TC C+216	1
17	S216-75AR-S	CLAMP,216,CASING C C+	1
18	SX18000016	COLLAR,250TC/280TSC,SHAFT LC	1
19	216E25T-71D-SS	ADAPTER,250TC FRAME,SS C216/C+216	1
20	C216-21T-131B-S	GUARD,SEAL,216/316/+2116,SS C C+ 210TC	1
21	GX5079600	CAPSCRW,HX,1/4-20X1/2,18-8SS HX HD	1
22	SC1710H-SS	CAPSCRW,HX,1/2-13X1,18-8SS HX HD	4



Exploded View

Optional Items Shown in ITALICS

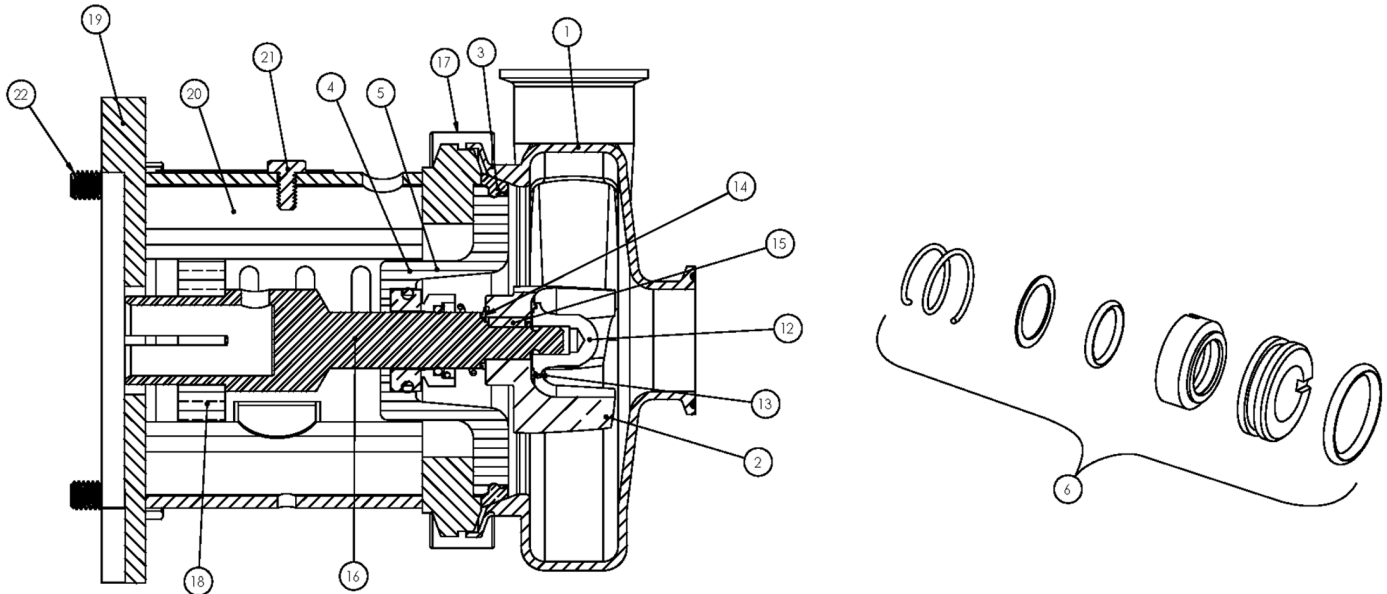
Ref #	Component Item No.	Description	Qty Per
1	S316M-01C-E	CASING,2-1/2X1-1/2,TRI-CLMP C316/C+316	1
	<i>S316T-01C-E</i>	<i>CASING,2-1/2X1-1/2,BVL SEAT C316/C+316</i>	1
	<i>S316MI-01C-E</i>	<i>CASING,2-1/2X1-1/2,CLMP GLASS C316/C+316</i>	1
	<i>S316S-01C-E</i>	<i>CASING,2-1/2X1-1/2,NPT C316/C+316</i>	1
	<i>S316F-01D-E</i>	<i>CASING,2-1/2X1-1/2,FLNGD C316/C+316</i>	1
2	S216-02CP-316L	IMPELLER,+216/+316 C+ CB+ IC+	1
3	S216-90A-U	GASKET,216,CASING,BUNA C C+	1
	<i>S216-90A-E</i>	<i>GASKET,216,CASING,EPDM C C+</i>	1
	<i>S216-90A-V</i>	<i>GASKET,216,CASING,VIT C C+</i>	1
4	216IC+11-316	BACKPLATE,216 IC+	1
6	GS8101250	KIT,216/316,SC/CA/VI CB+	1
12	GX5515000	NUT,HEX,M12-1.75,18-8SS HEX NUT	4
	<i>S216-91C-316L</i>	<i>NUT,+216/+316/+2116,IMP C+ D</i>	1
13	S216-25A-U	GASKET,216,IMP NUT,BUNA C+	1
	<i>S216-25A-E</i>	<i>GASKET,216,IMP NUT,EPDM C+</i>	1
	<i>S216-25A-V</i>	<i>GASKET,216,IMP NUT,VIT C+</i>	1
14	S216-25B-U	GASKET,216,IMP,BACK,BUNA C+	1
	<i>S216-25B-E</i>	<i>GASKET,216,IMP,BACK,EPDM C+</i>	1
	<i>S216-25B-V</i>	<i>GASKET,216,IMP,BACK,VIT C+</i>	1
15	S216-95C-316L	KEY, IMP,216 C+	1
16	C216E-80TP-06	STUBSHAFT,80 IEC,METRIC C+216	1
17	S216-75AR-S	CLAMP,216,CASING C C+	1
18	SX18000813	COLLAR,80/90 IEC,SHAFT,MTRIC	1
19	216E80T-71C-SS	ADAPTER,80 IEC B5 FRAME,SS C216/C+216	1
20	C216-21T-131B-S	GUARD,SEAL,216/316/+2116,SS C C+ 210TC	1
22	GX5515135	CAPSCRW,HX,M12-1.75X45MM,18-8S HX HD	4
37	GX5515010	WASHER,LOCK,M12,18-8SS	4



Exploded View

Optional Items Shown in ITALICS

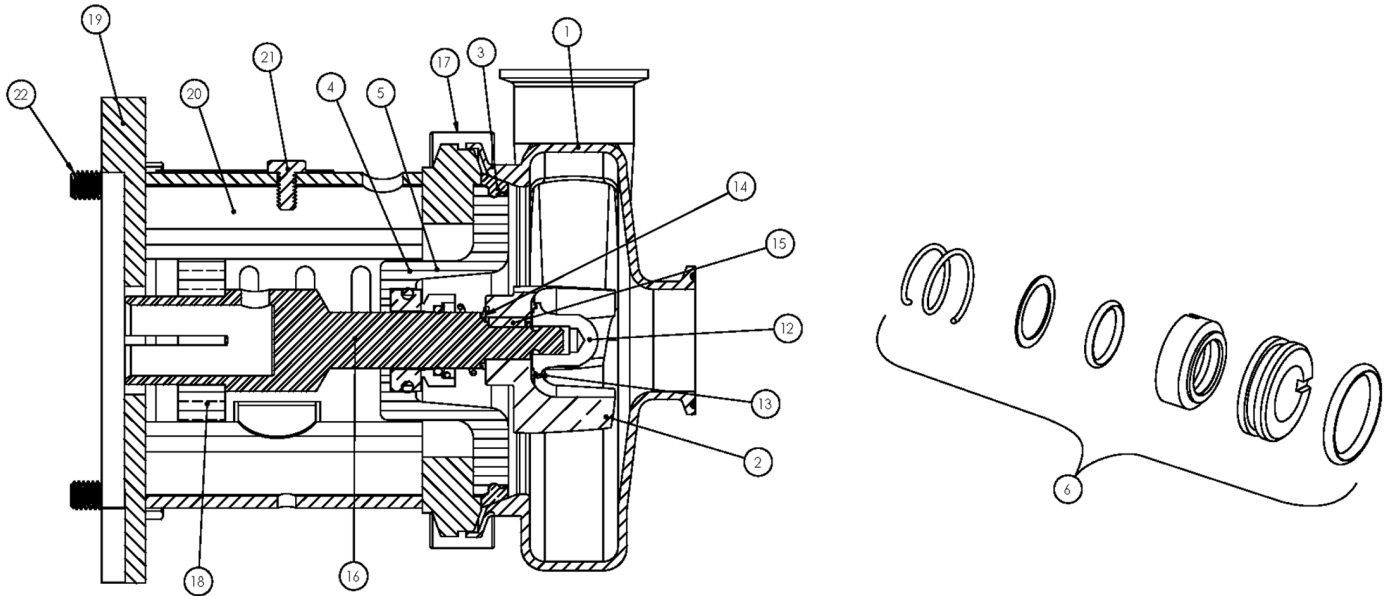
Ref #	Component Item No.	Description	Qty Per
38	GX5515015	WASHER,FLAT,M12,18-8SS	8



Exploded View

Optional Items Shown in ITALICS

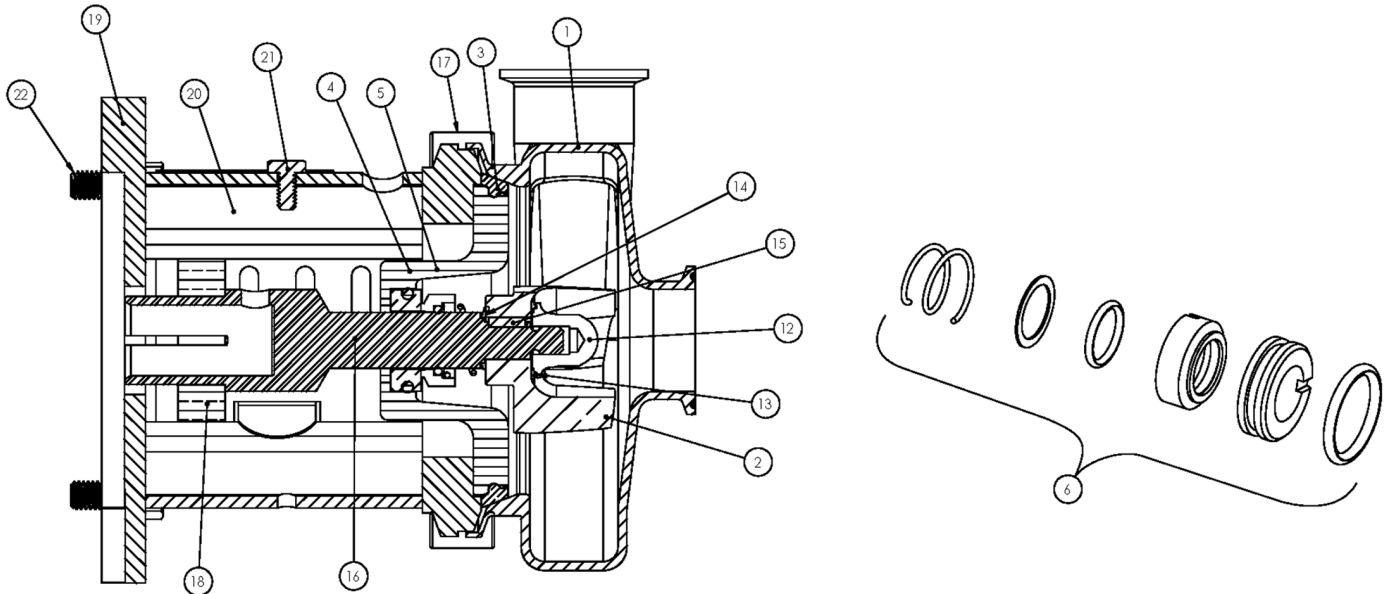
Ref #	Component Item No.	Description	Qty Per
1	S316M-01C-E	CASING,2-1/2X1-1/2,TRI-CLMP C316/C+316	1
	<i>S316T-01C-E</i>	<i>CASING,2-1/2X1-1/2,BVL SEAT C316/C+316</i>	1
	<i>S316MI-01C-E</i>	<i>CASING,2-1/2X1-1/2,CLMP GLASS C316/C+316</i>	1
	<i>S316S-01C-E</i>	<i>CASING,2-1/2X1-1/2,NPT C316/C+316</i>	1
	<i>S316F-01D-E</i>	<i>CASING,2-1/2X1-1/2,FLNGD C316/C+316</i>	1
2	S216-02CP-316L	IMPELLER,+216/+316 C+ CB+ IC+	1
3	S216-90A-U	GASKET,216,CASING,BUNA C C+	1
	<i>S216-90A-E</i>	<i>GASKET,216,CASING,EPDM C C+</i>	1
	<i>S216-90A-V</i>	<i>GASKET,216,CASING,VIT C C+</i>	1
4	216IC+11-316	BACKPLATE,216 IC+	1
6	GS8101250	KIT,216/316,SC/CA/VI CB+	1
12	GX5515000	NUT,HEX,M12-1.75,18-8SS HEX NUT	4
	<i>S216-91C-316L</i>	<i>NUT,+216/+316/+2116,IMP C+ D</i>	1
13	S216-25A-U	GASKET,216,IMP NUT,BUNA C+	1
	<i>S216-25A-E</i>	<i>GASKET,216,IMP NUT,EPDM C+</i>	1
	<i>S216-25A-V</i>	<i>GASKET,216,IMP NUT,VIT C+</i>	1
14	S216-25B-U	GASKET,216,IMP,BACK,BUNA C+	1
	<i>S216-25B-E</i>	<i>GASKET,216,IMP,BACK,EPDM C+</i>	1
	<i>S216-25B-V</i>	<i>GASKET,216,IMP,BACK,VIT C+</i>	1
15	S216-95C-316L	KEY, IMP,216 C+	1
16	C216E-90TP-06	STUBSHAFT,90 IEC,METRIC C+216	1
17	S216-75AR-S	CLAMP,216,CASING C C+	1
18	SX18000813	COLLAR,80/90 IEC,SHAFT,MTRIC	1
19	216D90T-71C-B5	ADAPTER,90 IEC B5 FRAME,SS C216/C+216	1
20	C216-21T-131B-S	GUARD,SEAL,216/316/+2116,SS C C+ 210TC	1
22	GX5515135	CAPSCRW,HX,M12-1.75X45MM,18-8S HX HD	4
37	GX5515010	WASHER,LOCK,M12,18-8SS	4



Exploded View

Optional Items Shown in ITALICS

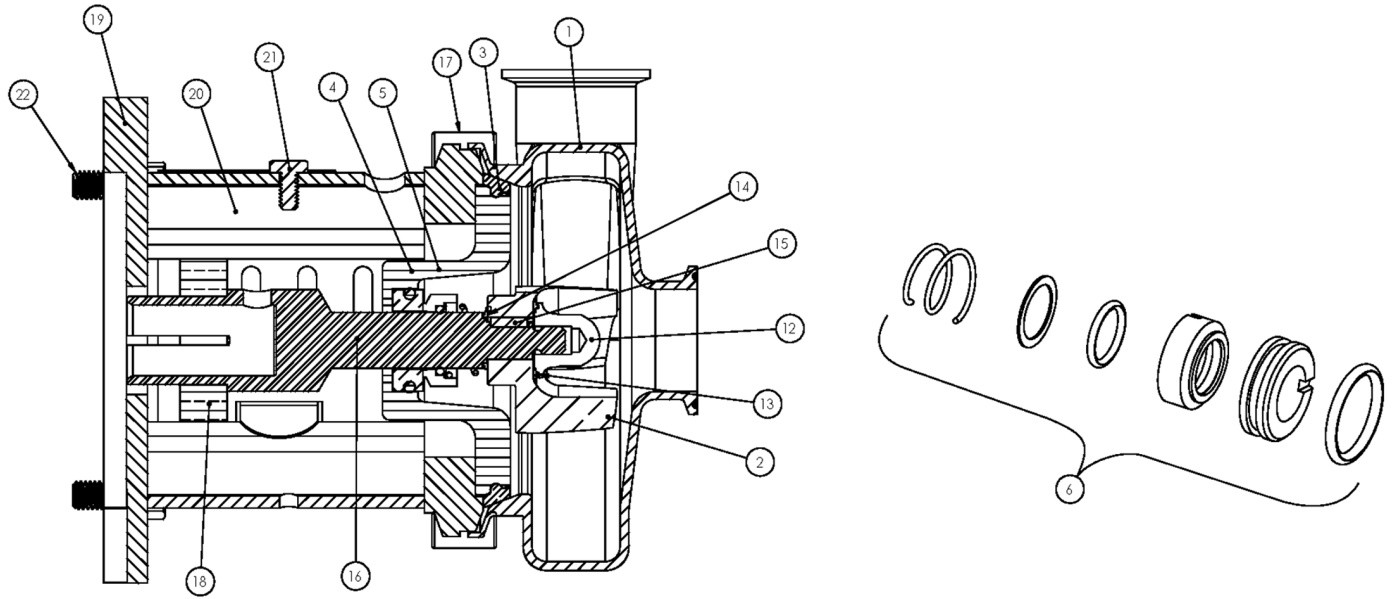
Ref #	Component Item No.	Description	Qty Per
38	GX5515015	WASHER,FLAT,M12,18-8SS	8



Exploded View

Optional Items Shown in ITALICS

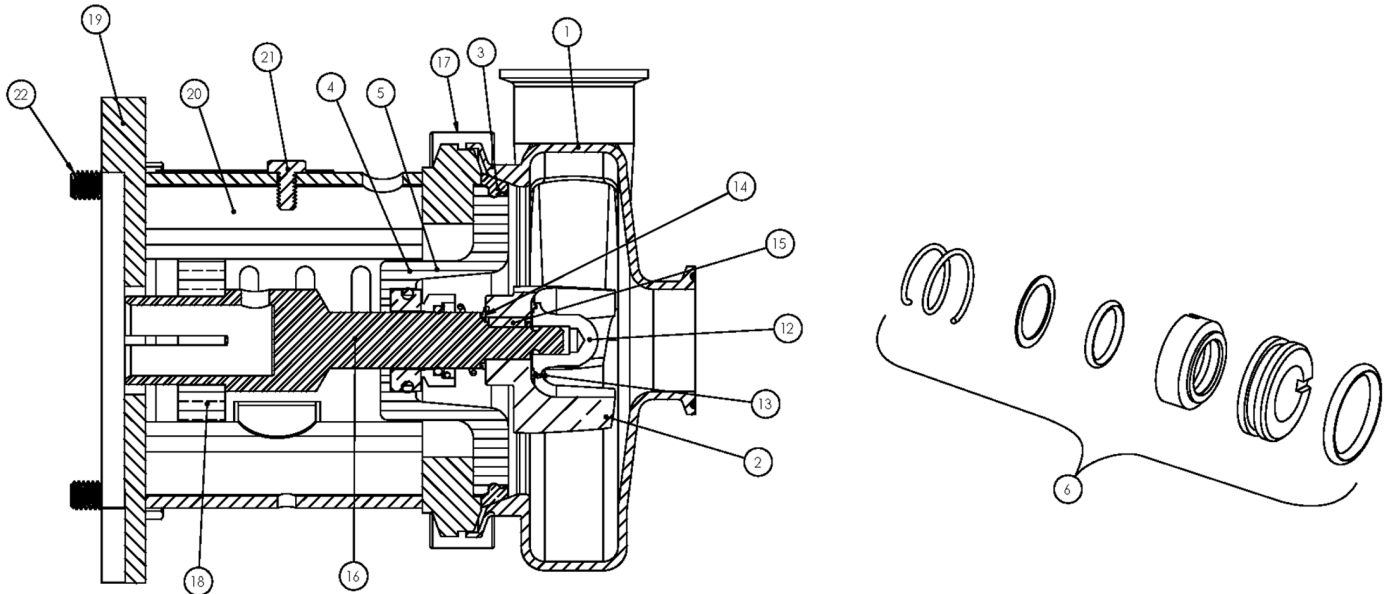
Ref #	Component Item No.	Description	Qty Per
1	S316M-01C-E	CASING,2-1/2X1-1/2,TRI-CLMP C316/C+316	1
	<i>S316T-01C-E</i>	<i>CASING,2-1/2X1-1/2,BVL SEAT C316/C+316</i>	1
	<i>S316MI-01C-E</i>	<i>CASING,2-1/2X1-1/2,CLMP GLASS C316/C+316</i>	1
	<i>S316S-01C-E</i>	<i>CASING,2-1/2X1-1/2,NPT C316/C+316</i>	1
	<i>S316F-01D-E</i>	<i>CASING,2-1/2X1-1/2,FLNGD C316/C+316</i>	1
2	S216-02CP-316L	IMPELLER,+216/+316 C+ CB+ IC+	1
3	S216-90A-U	GASKET,216,CASING,BUNA C C+	1
	<i>S216-90A-E</i>	<i>GASKET,216,CASING,EPDM C C+</i>	1
	<i>S216-90A-V</i>	<i>GASKET,216,CASING,VIT C C+</i>	1
4	216IC+11-316	BACKPLATE,216 IC+	1
6	GS8101250	KIT,216/316,SC/CA/VI CB+	1
12	GX5516000	NUT,HEX,M14-2.0,18-8SS HEX NUT	4
	S216-91C-316L	NUT,+216/+316/+2116,IMP C+ D	1
13	S216-25A-U	GASKET,216,IMP NUT,BUNA C+	1
	<i>S216-25A-E</i>	<i>GASKET,216,IMP NUT,EPDM C+</i>	1
	<i>S216-25A-V</i>	<i>GASKET,216,IMP NUT,VIT C+</i>	1
14	S216-25B-U	GASKET,216,IMP,BACK,BUNA C+	1
	<i>S216-25B-E</i>	<i>GASKET,216,IMP,BACK,EPDM C+</i>	1
	<i>S216-25B-V</i>	<i>GASKET,216,IMP,BACK,VIT C+</i>	1
15	S216-95C-316L	KEY, IMP,216 C+	1
16	C216E-100TP-06	STUBSHAFT,100/112 IEC METRIC C+216	1
17	S216-75AR-S	CLAMP,216,CASING C C+	1
18	SX18000814	COLLAR,100/112 IEC,SHAFT,MTRIC	1
19	216D100T-71CB5	ADAPTER,100/112 IEC B5FRAME,SS C216/C+216	1
20	C216-21T-131B-S	GUARD,SEAL,216/316/+2116,SS C C+ 210TC	1
22	GX5516145	CAPSCRW,HX,M14-2.0X55MM,18-8SS HX HD	4
37	GX5516010	WASHER,LOCK,M14,18-8SS	4



Exploded View

Optional Items Shown in ITALICS

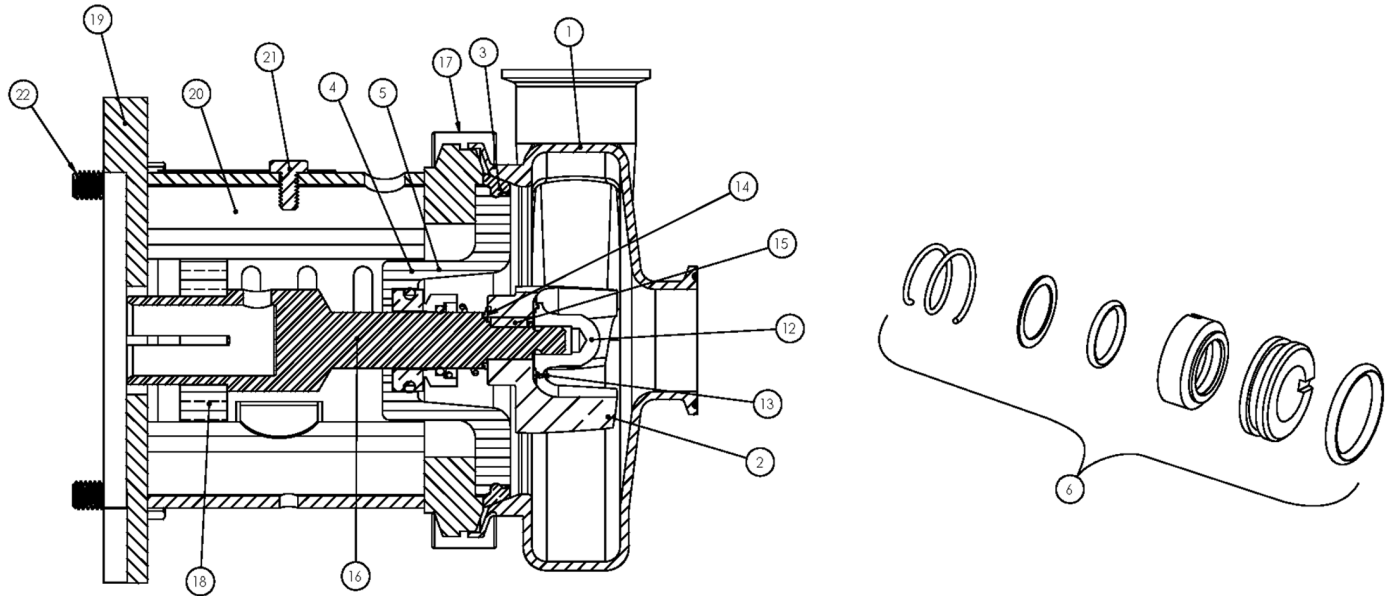
Ref #	Component Item No.	Description	Qty Per
38	GX5516015	WASHER,FLAT,M14,18-8SS	8



Exploded View

Optional Items Shown in ITALICS

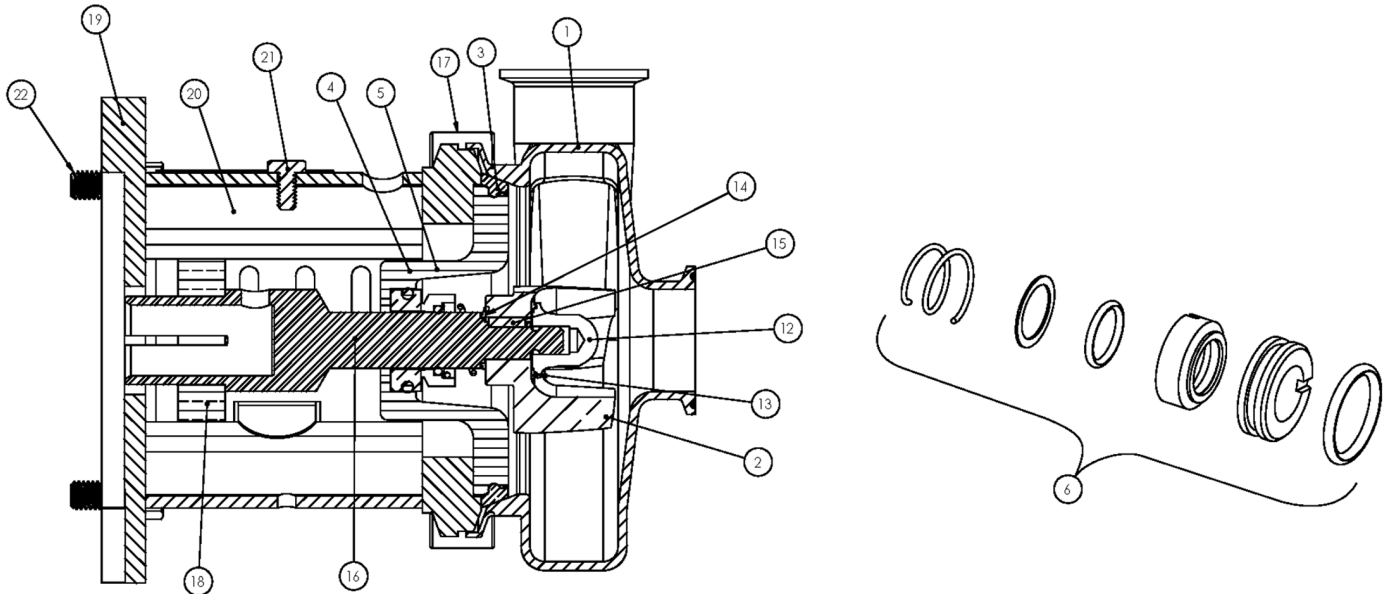
Ref #	Component Item No.	Description	Qty Per
1	S316M-01C-E	CASING,2-1/2X1-1/2,TRI-CLMP C316/C+316	1
	<i>S316T-01C-E</i>	<i>CASING,2-1/2X1-1/2,BVL SEAT C316/C+316</i>	1
	<i>S316MI-01C-E</i>	<i>CASING,2-1/2X1-1/2,CLMP GLASS C316/C+316</i>	1
	<i>S316S-01C-E</i>	<i>CASING,2-1/2X1-1/2,NPT C316/C+316</i>	1
	<i>S316F-01D-E</i>	<i>CASING,2-1/2X1-1/2,FLNGD C316/C+316</i>	1
2	S216-02CP-316L	IMPELLER,+216/+316 C+ CB+ IC+	1
3	S216-90A-U	GASKET,216,CASING,BUNA C C+	1
	<i>S216-90A-E</i>	<i>GASKET,216,CASING,EPDM C C+</i>	1
	<i>S216-90A-V</i>	<i>GASKET,216,CASING,VIT C C+</i>	1
4	216IC+11-316	BACKPLATE,216 IC+	1
6	GS8101250	KIT,216/316,SC/CA/VI CB+	1
12	GX5516000	NUT,HEX,M14-2.0,18-8SS HEX NUT	4
	S216-91C-316L	NUT,+216/+316/+2116,IMP C+ D	1
13	S216-25A-U	GASKET,216,IMP NUT,BUNA C+	1
	<i>S216-25A-E</i>	<i>GASKET,216,IMP NUT,EPDM C+</i>	1
	<i>S216-25A-V</i>	<i>GASKET,216,IMP NUT,VIT C+</i>	1
14	S216-25B-U	GASKET,216,IMP,BACK,BUNA C+	1
	<i>S216-25B-E</i>	<i>GASKET,216,IMP,BACK,EPDM C+</i>	1
	<i>S216-25B-V</i>	<i>GASKET,216,IMP,BACK,VIT C+</i>	1
15	S216-95C-316L	KEY, IMP,216 C+	1
16	C216E-132TP-06	STUBSHAFT,132 IEC,METRIC C+216	1
17	S216-75AR-S	CLAMP,216,CASING C C+	1
18	SX18000815	COLLAR,132 IEC,SHAFT,MTRIC	1
19	216E132T-71C-B5	ADAPTER,132 IEC B5 FRAME,SS C216/C+216	1
20	C216-21T-131B-S	GUARD,SEAL,216/316/+2116,SS C C+ 210TC	1
22	GX5516150	CAPSCRW,HX,M14-2.0X60MM,18-8SS HX HD	4
37	GX5516010	WASHER,LOCK,M14,18-8SS	4



Exploded View

Optional Items Shown in ITALICS

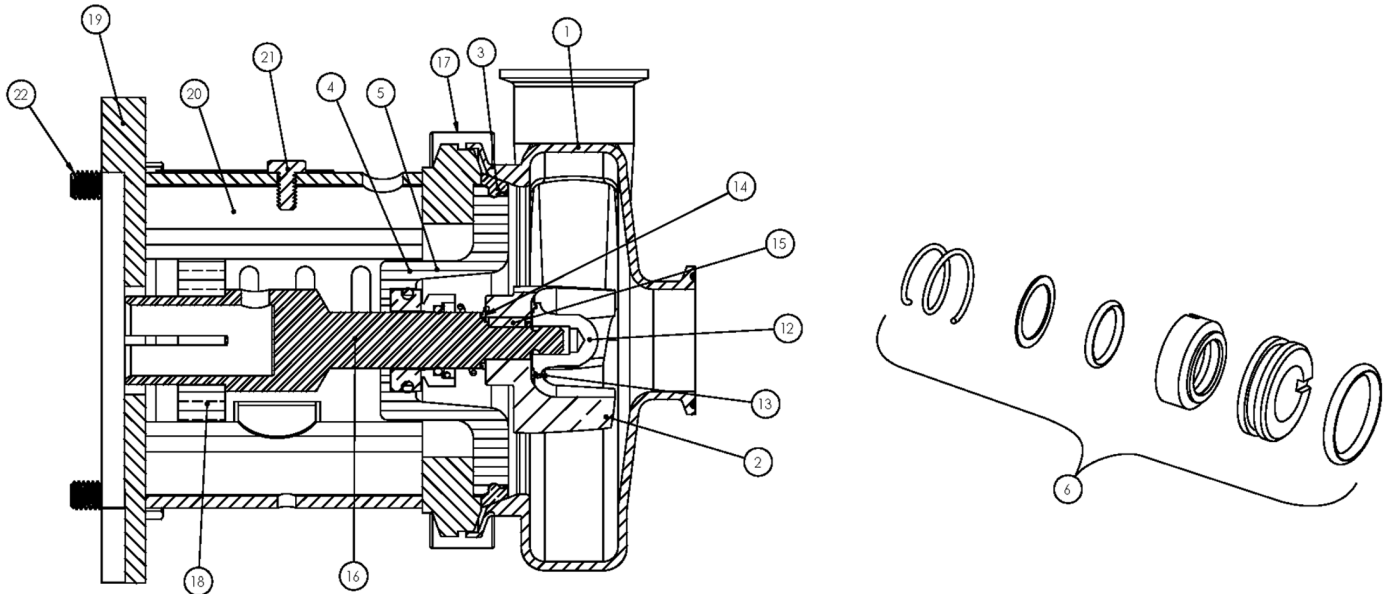
Ref #	Component Item No.	Description	Qty Per
38	<i>GX5516015</i>	<i>WASHER,FLAT,M14,18-8SS</i>	<i>8</i>



Exploded View

Optional Items Shown in ITALICS

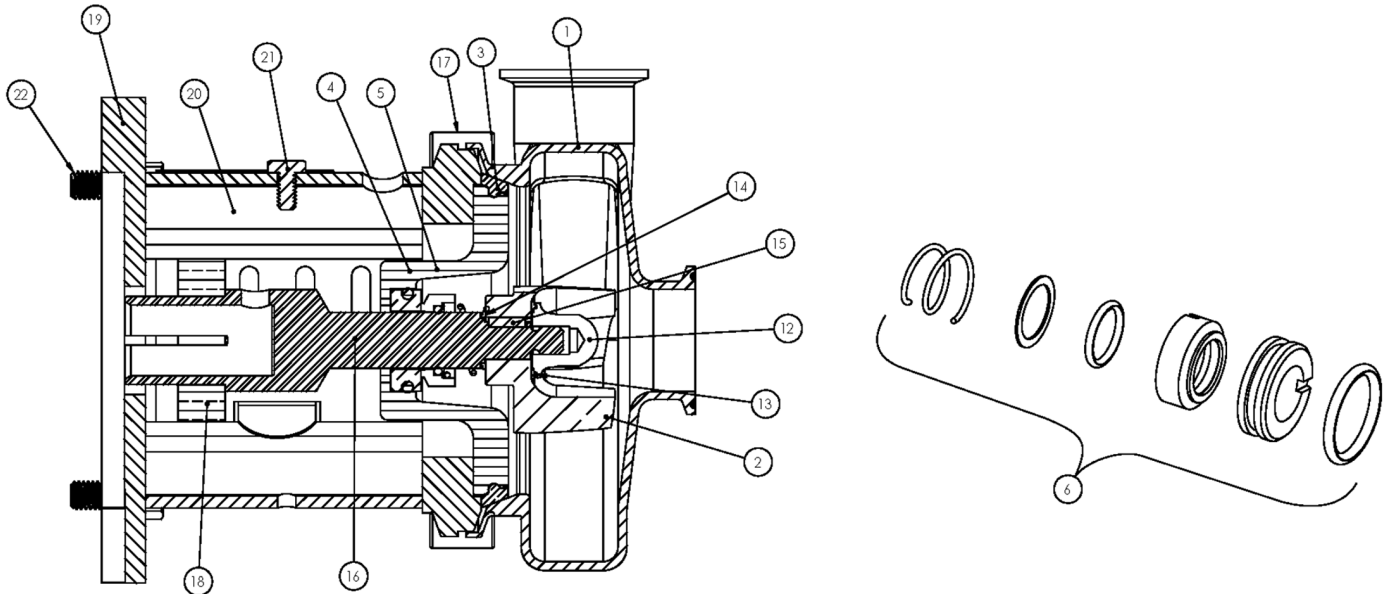
Ref #	Component Item No.	Description	Qty Per
1	S318M-01D-E	CASING,3X1-1/2,TRI-CLMP C318/C+318	1
	<i>S318T-01C-E</i>	<i>***DO NOT USE SEE NOTE*** CASING,3X1-1/2,BVL SEAT</i>	1
	<i>S318MI-01C-E</i>	<i>CASING,3X1-1/2,CLMP GLASS BEAD C C+</i>	1
	<i>S318S-01C-E</i>	<i>CASING,3X1-1/2,NPT C318/C+318</i>	1
	<i>S318F-01C-E</i>	<i>CASING,3X1-1/2,FLNGD C318/C+318</i>	1
2	S218-02CP-316L	IMPELLER,+218/+318 C+ IC+	1
3	S328-90A-U	GASKET,218/328,CASING,BUNA C C+	1
	<i>S328-90A-E</i>	<i>GASKET,218/328,CASING,EPDM C C+</i>	1
	<i>S328-90A-V</i>	<i>GASKET,218/328,CASING,VIT C C+</i>	1
4	328IC+11-316	BACKPLATE,218/328 IC+	1
5	216D-11-1-S	PIN,BACKPLT,114/216/328 C C+	2
6	GS8101350	KIT,218/328,SC/CA/VI CB+	1
12	S328-91C-316L	NUT,+218/+328/+3218,IMP C+ DB	1
13	S328-25A-U	GASKET,218/328,IMP NUT,BUNA C C+	1
	<i>S328-25A-E</i>	<i>GASKET,218/328,IMP NUT,EPDM C C+</i>	1
	<i>S328-25A-V</i>	<i>GASKET,218/328,IMP NUT,VIT C C+</i>	1
14	S328-25B-U	GASKET,218/328,IMP,BACK,BUNA C C+	1
	<i>S328-25B-E</i>	<i>GASKET,218/328,IMP, BACK,EPDM C C+</i>	1
	<i>S328-25B-V</i>	<i>GASKET,218/328,IMP,BACK,VIT C C+</i>	1
15	S328-95C-316L	KEY,IMP,218/318/328 C+	1
16	C328E-14TP-06	STUBSHAFT,140TC C+218/328	1
17	S328-75AR-S	CLAMP,218/328,CASING C C+	1
18	SX18000013	COLLAR,56C/140TC,SHAFT L SEE ITEM NOTES	1
19	328D14T-71C-SS	ADAPTER,140TC FRAME,SS C218/C328/C+218/C+328	1
20	C328-14T-131-S	GUARD,SEAL,218/328,SS C C+ CB+	1
21	GX5079600	CAPSCRW,HX,1/4-20X1/2,18-8SS HX HD	1
22	GX5077100	CAPSCRW,HX,3/8-16X1,18-8SS HX HD	4



Exploded View

Optional Items Shown in ITALICS

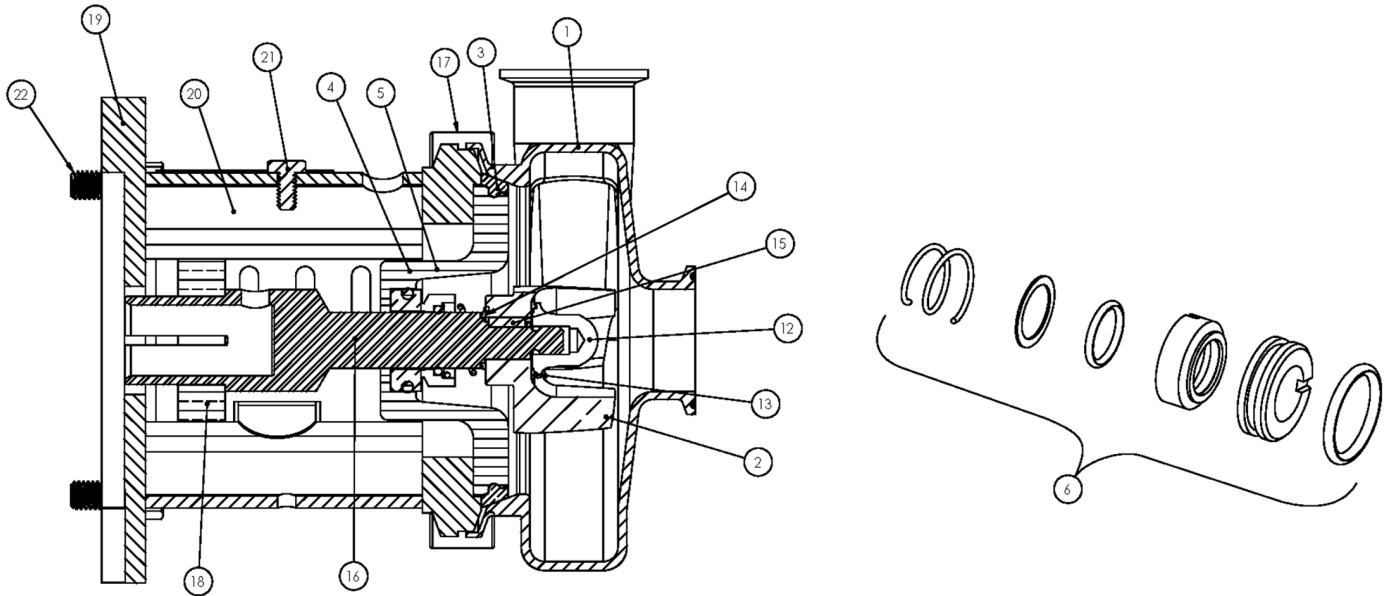
Ref #	Component Item No.	Description	Qty Per
1	S318M-01D-E	CASING,3X1-1/2,TRI-CLMP C318/C+318	1
	<i>S318T-01C-E</i>	<i>***DO NOT USE SEE NOTE*** CASING,3X1-1/2,BVL SEAT</i>	1
	<i>S318MI-01C-E</i>	<i>CASING,3X1-1/2,CLMP GLASS BEAD C C+</i>	1
	<i>S318S-01C-E</i>	<i>CASING,3X1-1/2,NPT C318/C+318</i>	1
	<i>S318F-01C-E</i>	<i>CASING,3X1-1/2,FLNGD C318/C+318</i>	1
2	S218-02CP-316L	IMPELLER,+218/+318 C+ IC+	1
3	S328-90A-U	GASKET,218/328,CASING,BUNA C C+	1
	<i>S328-90A-E</i>	<i>GASKET,218/328,CASING,EPDM C C+</i>	1
	<i>S328-90A-V</i>	<i>GASKET,218/328,CASING,VIT C C+</i>	1
4	328IC+11-316	BACKPLATE,218/328 IC+	1
5	216D-11-1-S	PIN,BACKPLT,114/216/328 C C+	2
6	GS8101350	KIT,218/328,SC/CA/VI CB+	1
12	S328-91C-316L	NUT,+218/+328/+3218,IMP C+ DB	1
13	S328-25A-U	GASKET,218/328,IMP NUT,BUNA C C+	1
	<i>S328-25A-E</i>	<i>GASKET,218/328,IMP NUT,EPDM C C+</i>	1
	<i>S328-25A-V</i>	<i>GASKET,218/328,IMP NUT,VIT C C+</i>	1
14	S328-25B-U	GASKET,218/328,IMP,BACK,BUNA C C+	1
	<i>S328-25B-E</i>	<i>GASKET,218/328,IMP, BACK,EPDM C C+</i>	1
	<i>S328-25B-V</i>	<i>GASKET,218/328,IMP,BACK,VIT C C+</i>	1
15	S328-95C-316L	KEY,IMP,218/318/328 C+	1
16	C328E-18TP-06	STUBSHAFT,180TC C+218/328	1
17	S328-75AR-S	CLAMP,218/328,CASING C C+	1
18	SX18000014	COLLAR,180TC,SHAFT LC	1
19	328D18T-71C-SS	ADAPTER,180TC FRAME,SS C218/C328/C+218/C+328	1
20	C328-18T-131-S	GUARD,SEAL,21/318/328/428,SS C C+ IC+ 180TC	1
21	GX5079600	CAPSCRW,HX,1/4-20X1/2,18-8SS HX HD	1
22	SC1710H-SS	CAPSCRW,HX,1/2-13X1,18-8SS HX HD	4



Exploded View

Optional Items Shown in ITALICS

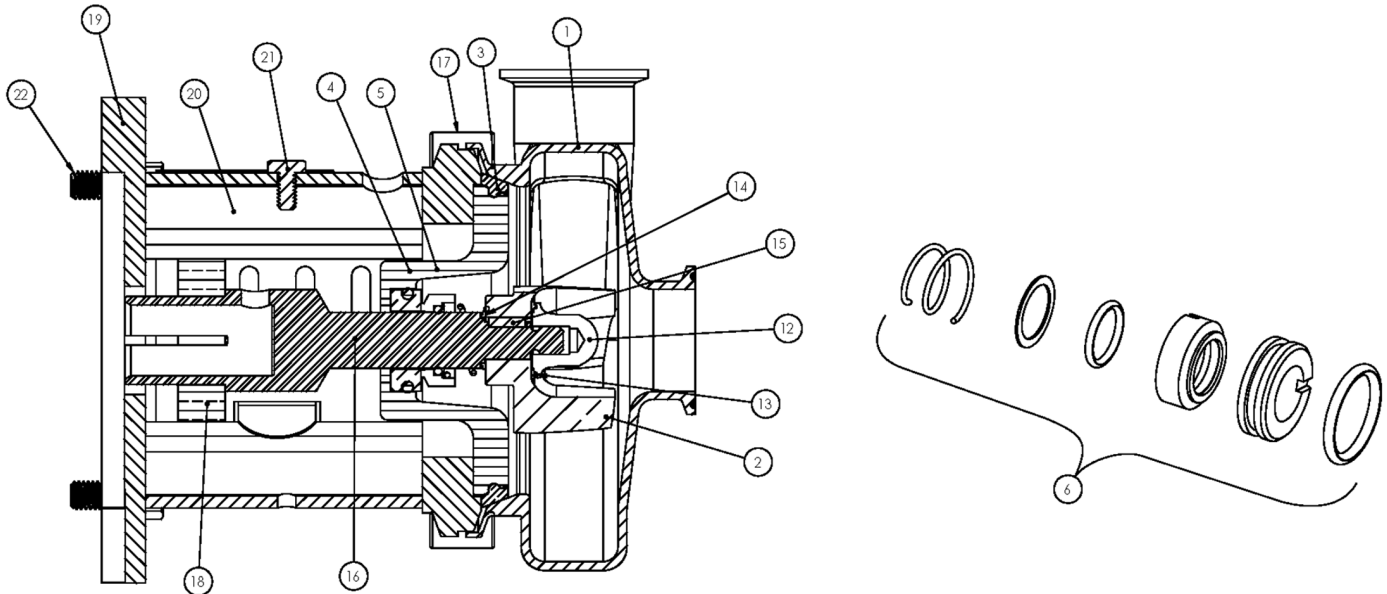
Ref #	Component Item No.	Description	Qty Per
1	S318M-01D-E	CASING,3X1-1/2,TRI-CLMP C318/C+318	1
	<i>S318T-01C-E</i>	<i>***DO NOT USE SEE NOTE*** CASING,3X1-1/2,BVL SEAT</i>	1
	<i>S318MI-01C-E</i>	<i>CASING,3X1-1/2,CLMP GLASS BEAD C C+</i>	1
	<i>S318S-01C-E</i>	<i>CASING,3X1-1/2,NPT C318/C+318</i>	1
	<i>S318F-01C-E</i>	<i>CASING,3X1-1/2,FLNGD C318/C+318</i>	1
2	S218-02CP-316L	IMPELLER,+218/+318 C+ IC+	1
3	S328-90A-U	GASKET,218/328,CASING,BUNA C C+	1
	<i>S328-90A-E</i>	<i>GASKET,218/328,CASING,EPDM C C+</i>	1
	<i>S328-90A-V</i>	<i>GASKET,218/328,CASING,VIT C C+</i>	1
4	328IC+11-316	BACKPLATE,218/328 IC+	1
5	216D-11-1-S	PIN,BACKPLT,114/216/328 C C+	2
6	GS8101350	KIT,218/328,SC/CA/VI CB+	1
11	SC1105A-SS	SCREW,SET,DRV COLLR,1/4-20X3/8 -SS	2
12	S328-91C-316L	NUT,+218/+328/+3218,IMP C+ DB	1
13	S328-25A-U	GASKET,218/328,IMP NUT,BUNA C C+	1
	<i>S328-25A-E</i>	<i>GASKET,218/328,IMP NUT,EPDM C C+</i>	1
	<i>S328-25A-V</i>	<i>GASKET,218/328,IMP NUT,VIT C C+</i>	1
14	S328-25B-U	GASKET,218/328,IMP,BACK,BUNA C C+	1
	<i>S328-25B-E</i>	<i>GASKET,218/328,IMP, BACK,EPDM C C+</i>	1
	<i>S328-25B-V</i>	<i>GASKET,218/328,IMP,BACK,VIT C C+</i>	1
15	S328-95C-316L	KEY,IMP,218/318/328 C+	1
16	C328E-21TP-06	STUBSHAFT,210TC C+218/328	1
17	S328-75AR-S	CLAMP,218/328,CASING C C+	1
18	SX18000015	COLLAR,210TC,SHAFT LC	1
19	328D21T-71C-SS	ADAPTER,210TC FRAME,SS C218/C328/C+218/C+328	1
20	C328-21T-131-S	GUARD,SEAL,218/318/328/428,SS C C+ CB+ 210TC	1
21	GX5079600	CAPSCRW,HX,1/4-20X1/2,18-8SS HX HD	1



Exploded View

Optional Items Shown in ITALICS

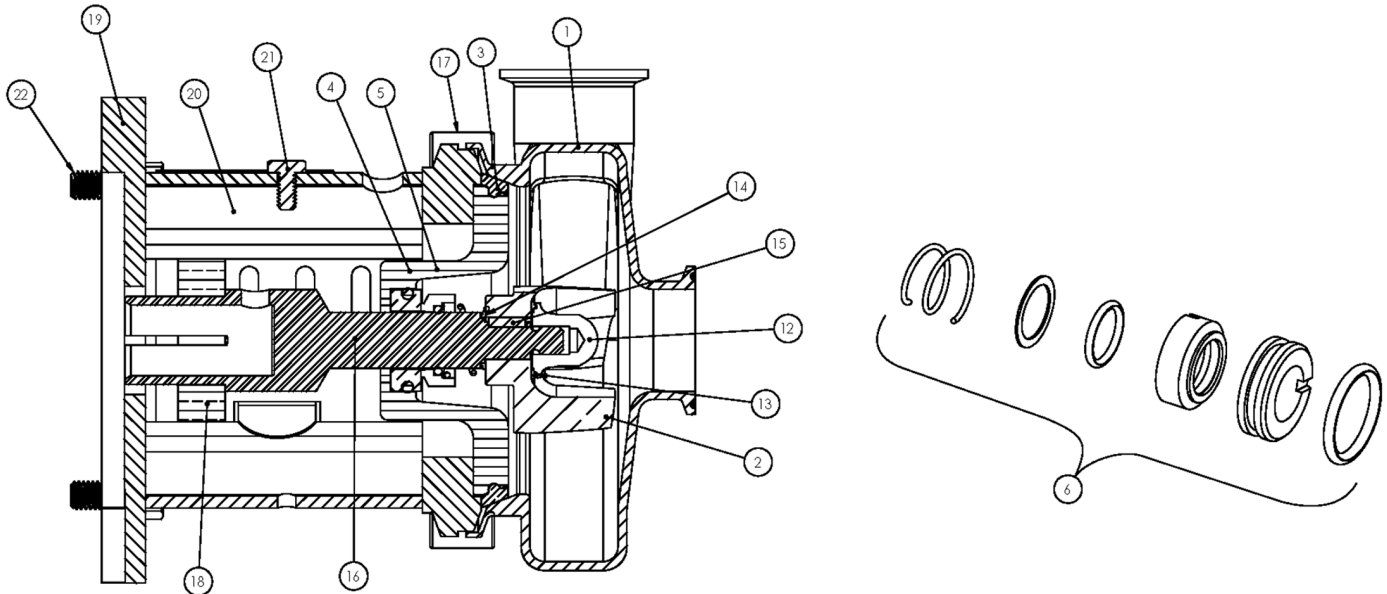
Ref #	Component Item No.	Description	Qty Per
22	SC1710H-SS	CAPSCRW,HX,1/2-13X1,18-8SS HX HD	4



Exploded View

Optional Items Shown in ITALICS

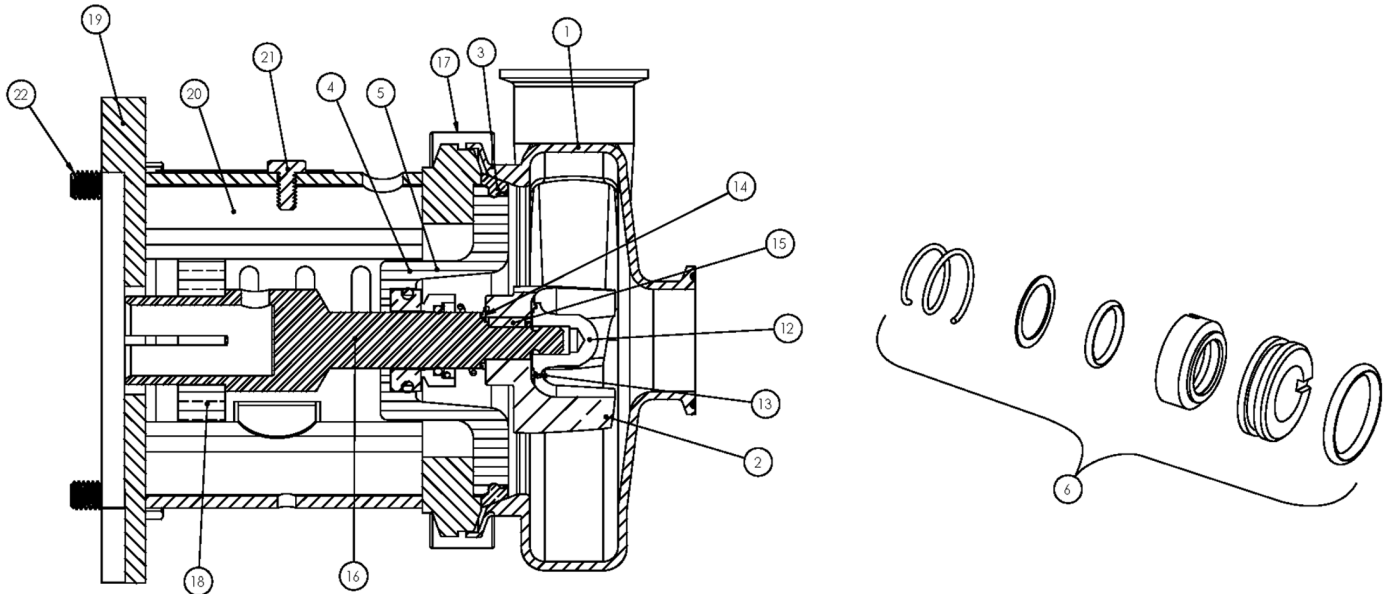
Ref #	Component Item No.	Description	Qty Per
1	S318M-01D-E	CASING,3X1-1/2,TRI-CLMP C318/C+318	1
	<i>S318T-01C-E</i>	<i>***DO NOT USE SEE NOTE*** CASING,3X1-1/2,BVL SEAT</i>	1
	<i>S318MI-01C-E</i>	<i>CASING,3X1-1/2,CLMP GLASS BEAD C C+</i>	1
	<i>S318S-01C-E</i>	<i>CASING,3X1-1/2,NPT C318/C+318</i>	1
	<i>S318F-01C-E</i>	<i>CASING,3X1-1/2,FLNGD C318/C+318</i>	1
2	S218-02CP-316L	IMPELLER,+218/+318 C+ IC+	1
3	S328-90A-U	GASKET,218/328,CASING,BUNA C C+	1
	<i>S328-90A-E</i>	<i>GASKET,218/328,CASING,EPDM C C+</i>	1
	<i>S328-90A-V</i>	<i>GASKET,218/328,CASING,VIT C C+</i>	1
4	328IC+11-316	BACKPLATE,218/328 IC+	1
5	216D-11-1-S	PIN,BACKPLT,114/216/328 C C+	2
6	GS8101350	KIT,218/328,SC/CA/VI CB+	1
12	S328-91C-316L	NUT,+218/+328/+3218,IMP C+ DB	1
13	S328-25A-U	GASKET,218/328,IMP NUT,BUNA C C+	1
	<i>S328-25A-E</i>	<i>GASKET,218/328,IMP NUT,EPDM C C+</i>	1
	<i>S328-25A-V</i>	<i>GASKET,218/328,IMP NUT,VIT C C+</i>	1
14	S328-25B-U	GASKET,218/328,IMP,BACK,BUNA C C+	1
	<i>S328-25B-E</i>	<i>GASKET,218/328,IMP, BACK,EPDM C C+</i>	1
	<i>S328-25B-V</i>	<i>GASKET,218/328,IMP,BACK,VIT C C+</i>	1
15	S328-95C-316L	KEY,IMP,218/318/328 C+	1
16	C328E-25TP-06	STUBSHAFT,250TC C+218/328	1
17	S328-75AR-S	CLAMP,218/328,CASING C C+	1
18	SX18000016	COLLAR,250TC/280TSC,SHAFT LC	1
19	328D25T-71C-SS	ADAPTER,250TC FRAME,SS C218/C328/C+218/C+328	1
20	C328-25T-131-S	GUARD,SEAL,218/328/428,SS C C+ CB+ 250TC	1
21	GX5079600	CAPSCRW,HX,1/4-20X1/2,18-8SS HX HD	1
22	SC1710H-SS	CAPSCRW,HX,1/2-13X1,18-8SS HX HD	4



Exploded View

Optional Items Shown in ITALICS

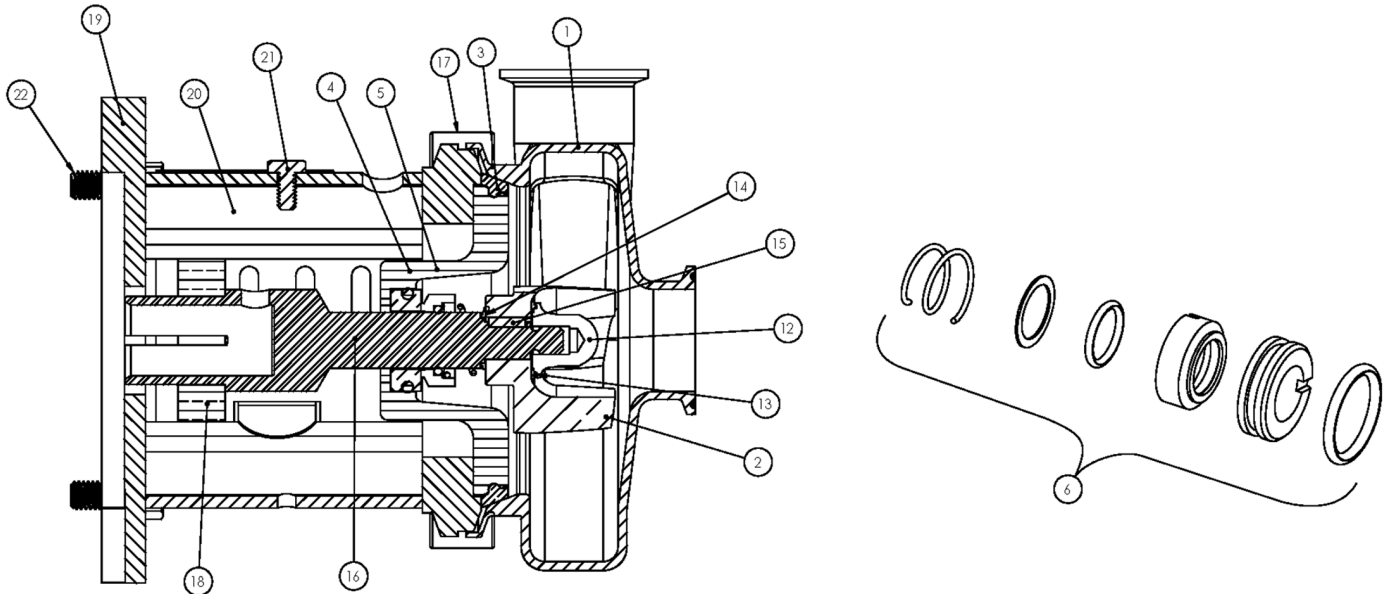
Ref #	Component Item No.	Description	Qty Per
1	S318M-01D-E	CASING,3X1-1/2,TRI-CLMP C318/C+318	1
	<i>S318T-01C-E</i>	<i>***DO NOT USE SEE NOTE*** CASING,3X1-1/2,BVL SEAT</i>	1
	<i>S318MI-01C-E</i>	<i>CASING,3X1-1/2,CLMP GLASS BEAD C C+</i>	1
	<i>S318S-01C-E</i>	<i>CASING,3X1-1/2,NPT C318/C+318</i>	1
	<i>S318F-01C-E</i>	<i>CASING,3X1-1/2,FLNGD C318/C+318</i>	1
2	S218-02CP-316L	IMPELLER,+218/+318 C+ IC+	1
3	S328-90A-U	GASKET,218/328,CASING,BUNA C C+	1
	<i>S328-90A-E</i>	<i>GASKET,218/328,CASING,EPDM C C+</i>	1
	<i>S328-90A-V</i>	<i>GASKET,218/328,CASING,VIT C C+</i>	1
4	328IC+11-316	BACKPLATE,218/328 IC+	1
5	216D-11-1-S	PIN,BACKPLT,114/216/328 C C+	2
6	GS8101350	KIT,218/328,SC/CA/VI CB+	1
12	S328-91C-316L	NUT,+218/+328/+3218,IMP C+ DB	1
13	S328-25A-U	GASKET,218/328,IMP NUT,BUNA C C+	1
	<i>S328-25A-E</i>	<i>GASKET,218/328,IMP NUT,EPDM C C+</i>	1
	<i>S328-25A-V</i>	<i>GASKET,218/328,IMP NUT,VIT C C+</i>	1
14	S328-25B-U	GASKET,218/328,IMP,BACK,BUNA C C+	1
	<i>S328-25B-E</i>	<i>GASKET,218/328,IMP, BACK,EPDM C C+</i>	1
	<i>S328-25B-V</i>	<i>GASKET,218/328,IMP,BACK,VIT C C+</i>	1
15	S328-95C-316L	KEY,IMP,218/318/328 C+	1
16	C328E-28TPC-06	STUBSHAFT,280TC C+218/328	1
17	S328-75AR-S	CLAMP,218/328,CASING C C+	1
18	SX18000027	COLLAR,280TC/320TSC,SHAFT LC	1
19	328D28T-71C-SS	ADAPTER,280TC/TSC FRAME,SS C218/C328/C+218/C+328	1
20	C328-28T-131-S	GUARD,SEAL,218/328/428/4410,SS C C+	1
21	GX5079600	CAPSCRW,HX,1/4-20X1/2,18-8SS HX HD	1
22	SC1710H-SS	CAPSCRW,HX,1/2-13X1,18-8SS HX HD	4



Exploded View

Optional Items Shown in ITALICS

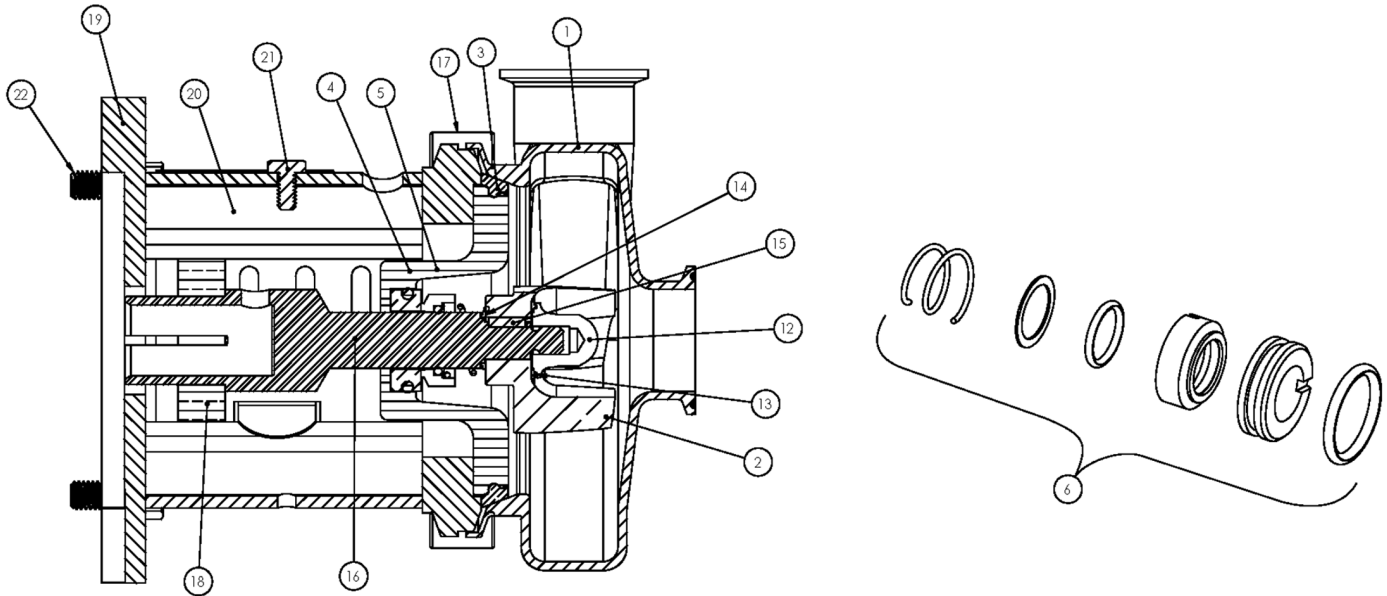
Ref #	Component Item No.	Description	Qty Per
1	S318M-01D-E	CASING,3X1-1/2,TRI-CLMP C318/C+318	1
	<i>S318T-01C-E</i>	<i>***DO NOT USE SEE NOTE*** CASING,3X1-1/2,BVL SEAT</i>	1
	<i>S318MI-01C-E</i>	<i>CASING,3X1-1/2,CLMP GLASS BEAD C C+</i>	1
	<i>S318S-01C-E</i>	<i>CASING,3X1-1/2,NPT C318/C+318</i>	1
	<i>S318F-01C-E</i>	<i>CASING,3X1-1/2,FLNGD C318/C+318</i>	1
2	S218-02CP-316L	IMPELLER,+218/+318 C+ IC+	1
3	S328-90A-U	GASKET,218/328,CASING,BUNA C C+	1
	<i>S328-90A-E</i>	<i>GASKET,218/328,CASING,EPDM C C+</i>	1
	<i>S328-90A-V</i>	<i>GASKET,218/328,CASING,VIT C C+</i>	1
4	328IC+11-316	BACKPLATE,218/328 IC+	1
5	216D-11-1-S	PIN,BACKPLT,114/216/328 C C+	2
6	GS8101350	KIT,218/328,SC/CA/VI CB+	1
12	S328-91C-316L	NUT,+218/+328/+3218,IMP C+ DB	1
13	S328-25A-U	GASKET,218/328,IMP NUT,BUNA C C+	1
	<i>S328-25A-E</i>	<i>GASKET,218/328,IMP NUT,EPDM C C+</i>	1
	<i>S328-25A-V</i>	<i>GASKET,218/328,IMP NUT,VIT C C+</i>	1
14	S328-25B-U	GASKET,218/328,IMP,BACK,BUNA C C+	1
	<i>S328-25B-E</i>	<i>GASKET,218/328,IMP, BACK,EPDM C C+</i>	1
	<i>S328-25B-V</i>	<i>GASKET,218/328,IMP,BACK,VIT C C+</i>	1
15	S328-95C-316L	KEY,IMP,218/318/328 C+	1
16	C328E-28TP-06	STUBSHAFT,280TSC C+218/328	1
17	S328-75AR-S	CLAMP,218/328,CASING C C+	1
18	SX18000035	COLLAR,250TC/280TSC,SHAFT LC	1
19	328D28T-71C-SS	ADAPTER,280TC/TSC FRAME,SS C218/C328/C+218/C+328	1
20	C328-28T-131-S	GUARD,SEAL,218/328/428/4410,SS C C+	1
21	GX5079600	CAPSCRW,HX,1/4-20X1/2,18-8SS HX HD	1
22	SC1710H-SS	CAPSCRW,HX,1/2-13X1,18-8SS HX HD	4



Exploded View

Optional Items Shown in ITALICS

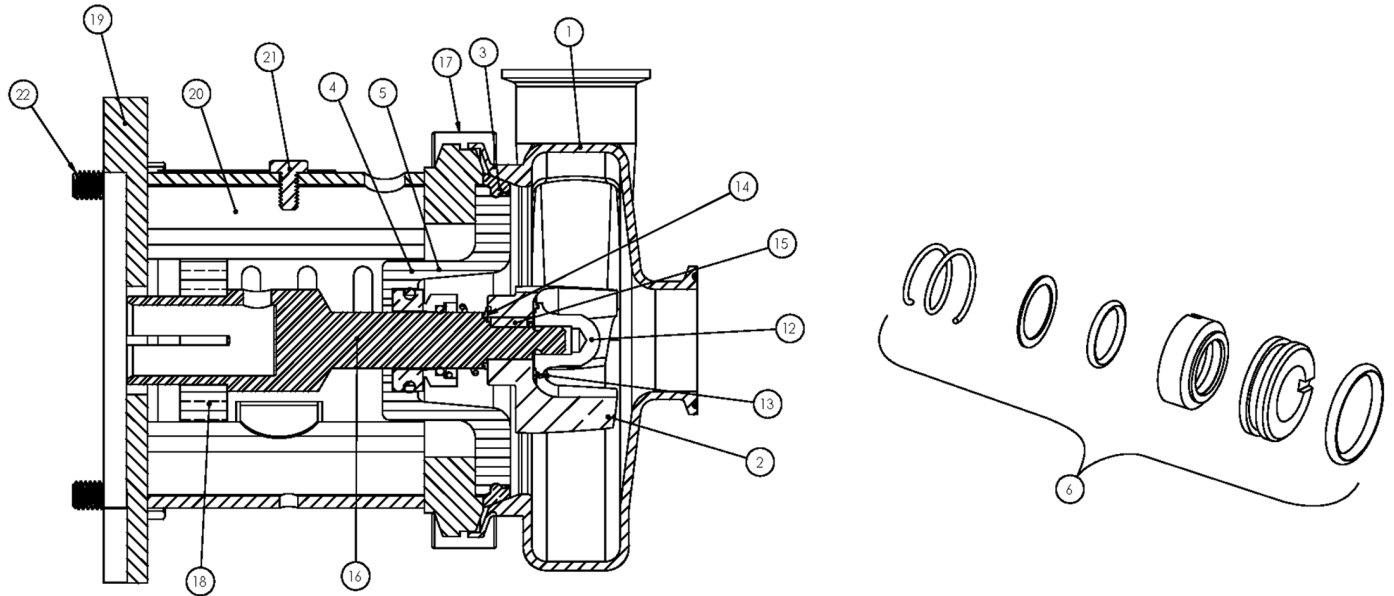
Ref #	Component Item No.	Description	Qty Per
1	S318M-01D-E	CASING,3X1-1/2,TRI-CLMP C318/C+318	1
	<i>S318T-01C-E</i>	<i>***DO NOT USE SEE NOTE*** CASING,3X1-1/2,BVL SEAT</i>	1
	<i>S318MI-01C-E</i>	<i>CASING,3X1-1/2,CLMP GLASS BEAD C C+</i>	1
	<i>S318S-01C-E</i>	<i>CASING,3X1-1/2,NPT C318/C+318</i>	1
	<i>S318F-01C-E</i>	<i>CASING,3X1-1/2,FLNGD C318/C+318</i>	1
2	S218-02CP-316L	IMPELLER,+218/+318 C+ IC+	1
3	S328-90A-U	GASKET,218/328,CASING,BUNA C C+	1
	<i>S328-90A-E</i>	<i>GASKET,218/328,CASING,EPDM C C+</i>	1
	<i>S328-90A-V</i>	<i>GASKET,218/328,CASING,VIT C C+</i>	1
4	328IC+11-316	BACKPLATE,218/328 IC+	1
6	GS8101350	KIT,218/328,SC/CA/VI CB+	1
12	S328-91C-316L	NUT,+218/+328/+3218,IMP C+ DB	1
13	S328-25A-U	GASKET,218/328,IMP NUT,BUNA C C+	1
	<i>S328-25A-E</i>	<i>GASKET,218/328,IMP NUT,EPDM C C+</i>	1
	<i>S328-25A-V</i>	<i>GASKET,218/328,IMP NUT,VIT C C+</i>	1
14	S328-25B-U	GASKET,218/328,IMP,BACK,BUNA C C+	1
	<i>S328-25B-E</i>	<i>GASKET,218/328,IMP,BACK,EPDM C C+</i>	1
	<i>S328-25B-V</i>	<i>GASKET,218/328,IMP,BACK,VIT C C+</i>	1
15	S328-95C-316L	KEY,IMP,218/318/328 C+	1
16	C328E-32TP-06	STUBSHAFT,320TSC C+218/328	1
17	S328-75AR-S	CLAMP,218/328,CASING C C+	1
18	SX18000027	COLLAR,280TC/320TSC,SHAFT LC	1
19	328D32TS-71C-SS	ADAPTER,320TSC FRAME,SS C218/C328/C+218/C+328	1
20	C328-28T-131-S	GUARD,SEAL,218/328/428/4410,SS C C+	1
21	GX5079600	CAPSCRW,HX,1/4-20X1/2,18-8SS HX HD	1
22	GX5076700	CAPSCRW,HX,5/8-11X1-1/2,18-8SS HX HD	4



Exploded View

Optional Items Shown in ITALICS

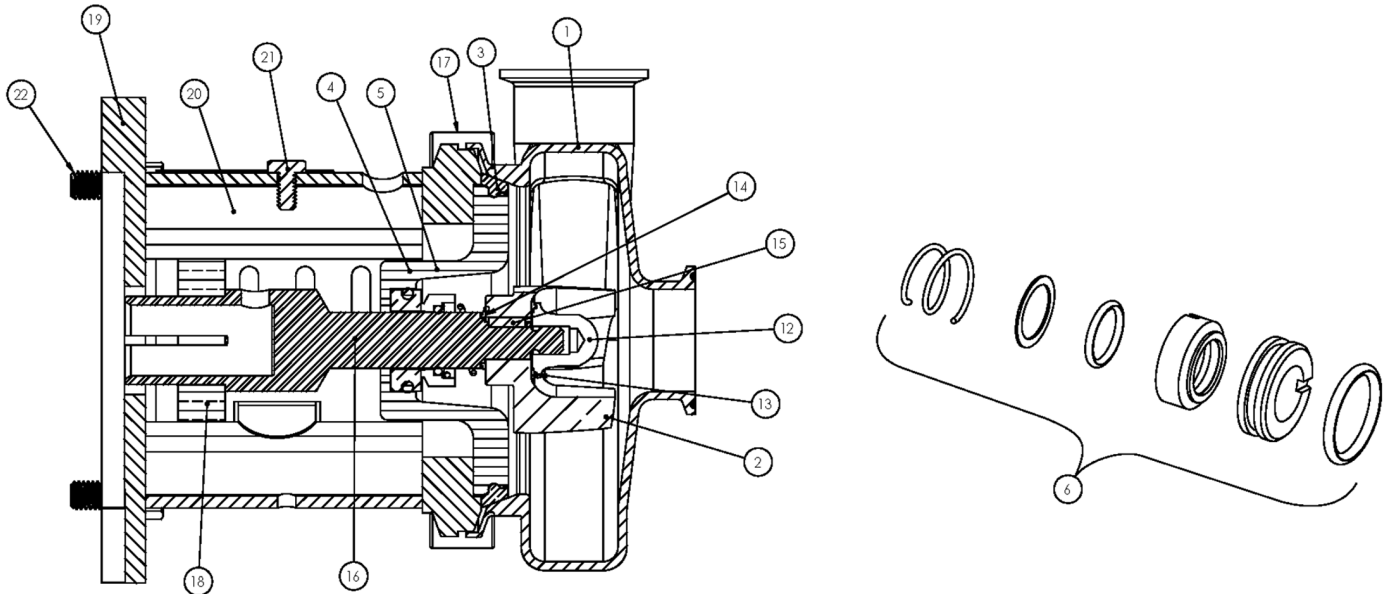
Ref #	Component Item No.	Description	Qty Per
1	S318M-01D-E	CASING,3X1-1/2,TRI-CLMP C318/C+318	1
	<i>S318T-01C-E</i>	<i>***DO NOT USE SEE NOTE*** CASING,3X1-1/2,BVL SEAT</i>	1
	<i>S318MI-01C-E</i>	<i>CASING,3X1-1/2,CLMP GLASS BEAD C C+</i>	1
	<i>S318S-01C-E</i>	<i>CASING,3X1-1/2,NPT C318/C+318</i>	1
	<i>S318F-01C-E</i>	<i>CASING,3X1-1/2,FLNGD C318/C+318</i>	1
2	S218-02CP-316L	IMPELLER,+218/+318 C+ IC+	1
3	S328-90A-U	GASKET,218/328,CASING,BUNA C C+	1
	<i>S328-90A-E</i>	<i>GASKET,218/328,CASING,EPDM C C+</i>	1
	<i>S328-90A-V</i>	<i>GASKET,218/328,CASING,VIT C C+</i>	1
4	328IC+11-316	BACKPLATE,218/328 IC+	1
6	GS8101350	KIT,218/328,SC/CA/VI CB+	1
11	SC1105A-SS	SCREW,SET,DRV COLLR,1/4-20X3/8 -SS	2
12	GX5516000	NUT,HEX,M14-2.0,18-8SS HEX NUT	4
	S328-91C-316L	NUT,+218/+328/+3218,IMP C+ DB	1
13	S328-25A-U	GASKET,218/328,IMP NUT,BUNA C C+	1
	<i>S328-25A-E</i>	<i>GASKET,218/328,IMP NUT,EPDM C C+</i>	1
	<i>S328-25A-V</i>	<i>GASKET,218/328,IMP NUT,VIT C C+</i>	1
14	S328-25B-U	GASKET,218/328,IMP,BACK,BUNA C C+	1
	<i>S328-25B-E</i>	<i>GASKET,218/328,IMP, BACK,EPDM C C+</i>	1
	<i>S328-25B-V</i>	<i>GASKET,218/328,IMP,BACK,VIT C C+</i>	1
15	S328-95C-316L	KEY,IMP,218/318/328 C+	1
16	C328E-112P-06	STUBSHAFT,100/112 IEC,METRIC C+218/328	1
17	S328-75AR-S	CLAMP,218/328,CASING C C+	1
18	SX18000814	COLLAR,100/112 IEC,SHAFT,MTRIC	1
19	328D112-71C-B5	ADAPTER,100/112 IEC B5 FRAME C218/C328/C+218/C+328	1
20	C328-21T-131-S	GUARD,SEAL,218/318/328/428,SS C C+ CB+ 210TC	1
22	GX5516145	CAPSCRW,HX,M14-2.0X55MM,18-8SS HX HD	4



Exploded View

Optional Items Shown in ITALICS

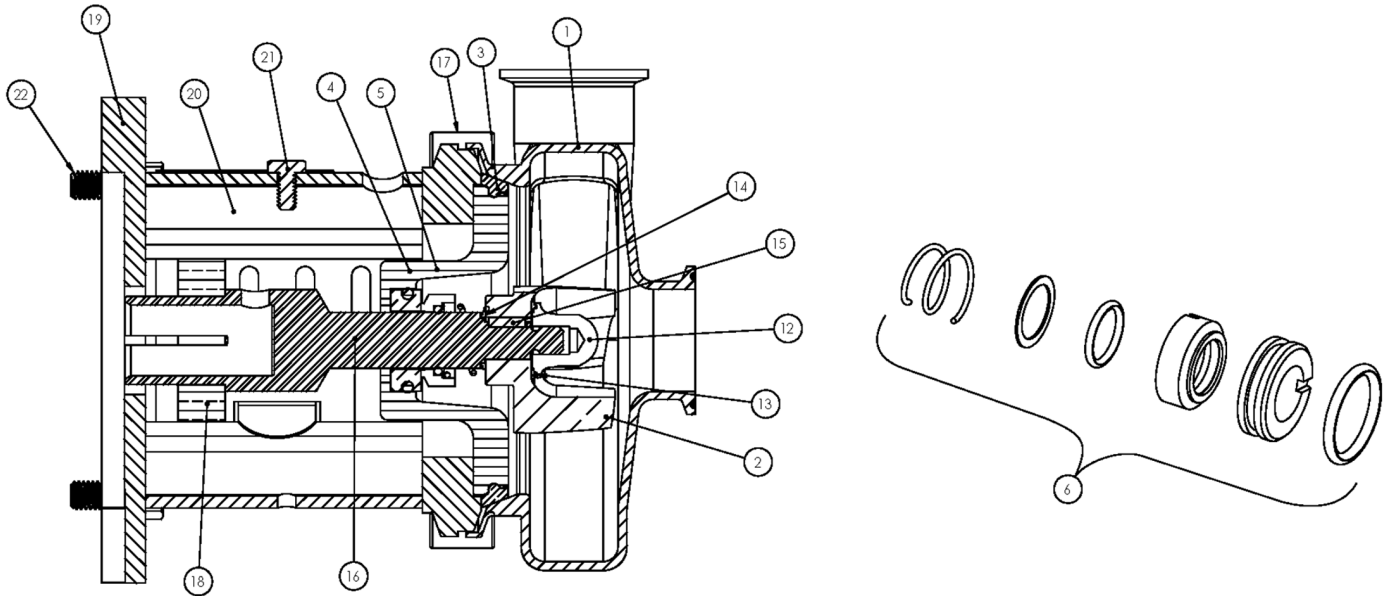
Ref #	Component Item No.	Description	Qty Per
37	GX5516010	WASHER, LOCK, M14, 18-8SS	4
38	GX5516015	WASHER, FLAT, M14, 18-8SS	8



Exploded View

Optional Items Shown in ITALICS

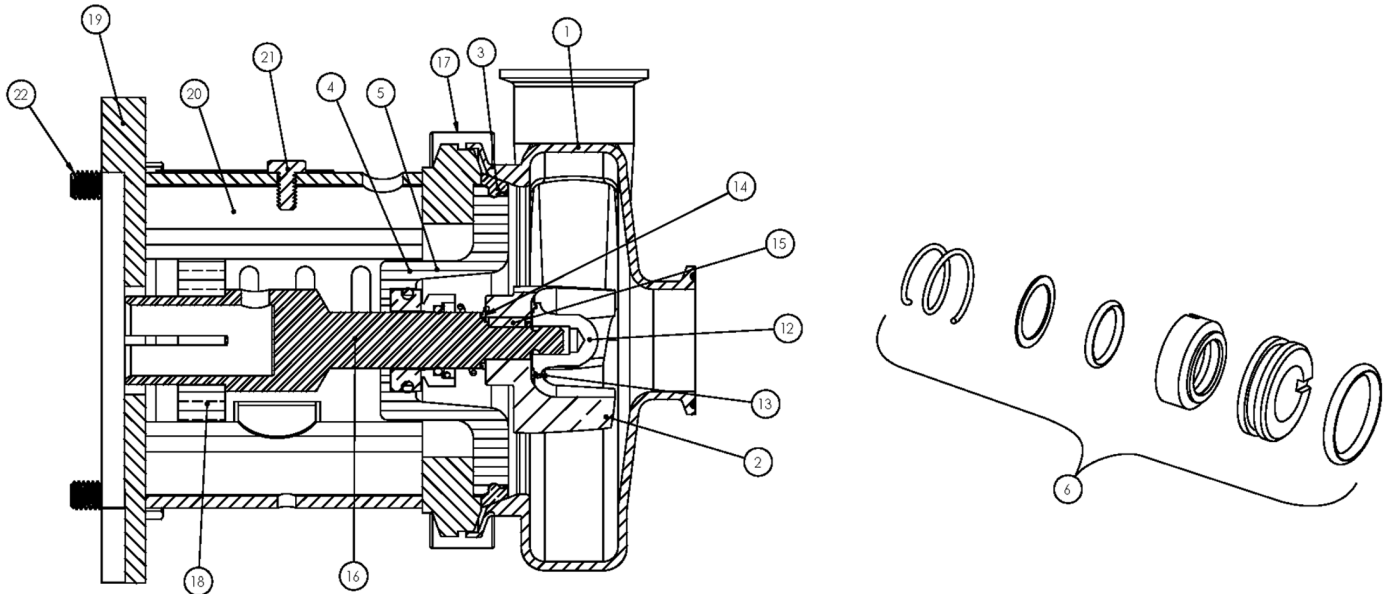
Ref #	Component Item No.	Description	Qty Per
1	S318M-01D-E	CASING,3X1-1/2,TRI-CLMP C318/C+318	1
	<i>S318T-01C-E</i>	<i>***DO NOT USE SEE NOTE*** CASING,3X1-1/2,BVL SEAT</i>	1
	<i>S318MI-01C-E</i>	<i>CASING,3X1-1/2,CLMP GLASS BEAD C C+</i>	1
	<i>S318S-01C-E</i>	<i>CASING,3X1-1/2,NPT C318/C+318</i>	1
	<i>S318F-01C-E</i>	<i>CASING,3X1-1/2,FLNGD C318/C+318</i>	1
2	S218-02CP-316L	IMPELLER,+218/+318 C+ IC+	1
3	S328-90A-U	GASKET,218/328,CASING,BUNA C C+	1
	<i>S328-90A-E</i>	<i>GASKET,218/328,CASING,EPDM C C+</i>	1
	<i>S328-90A-V</i>	<i>GASKET,218/328,CASING,VIT C C+</i>	1
4	328IC+11-316	BACKPLATE,218/328 IC+	1
6	GS8101350	KIT,218/328,SC/CA/VI CB+	1
11	SC1105A-SS	SCREW,SET,DRV COLLR,1/4-20X3/8 -SS	2
12	GX5516000	NUT,HEX,M14-2.0,18-8SS HEX NUT	4
	S328-91C-316L	NUT,+218/+328/+3218,IMP C+ DB	1
13	S328-25A-U	GASKET,218/328,IMP NUT,BUNA C C+	1
	<i>S328-25A-E</i>	<i>GASKET,218/328,IMP NUT,EPDM C C+</i>	1
	<i>S328-25A-V</i>	<i>GASKET,218/328,IMP NUT,VIT C C+</i>	1
14	S328-25B-U	GASKET,218/328,IMP,BACK,BUNA C C+	1
	<i>S328-25B-E</i>	<i>GASKET,218/328,IMP, BACK,EPDM C C+</i>	1
	<i>S328-25B-V</i>	<i>GASKET,218/328,IMP,BACK,VIT C C+</i>	1
15	S328-95C-316L	KEY,IMP,218/318/328 C+	1
16	C328E-132P-06	STUBSHAFT,132 IEC,METRIC C+218/328	1
17	S328-75AR-S	CLAMP,218/328,CASING C C+	1
18	SX18000815	COLLAR,132 IEC,SHAFT,MTRIC	1
19	328D132T-71C-B5	ADAPTER,132 IEC B5 FRAME,SS C218/C328/C+218/C+328	1
20	C328-21T-131-S	GUARD,SEAL,218/318/328/428,SS C C+ CB+ 210TC	1
22	GX5516150	CAPSCRW,HX,M14-2.0X60MM,18-8SS HX HD	4



Exploded View

Optional Items Shown in ITALICS

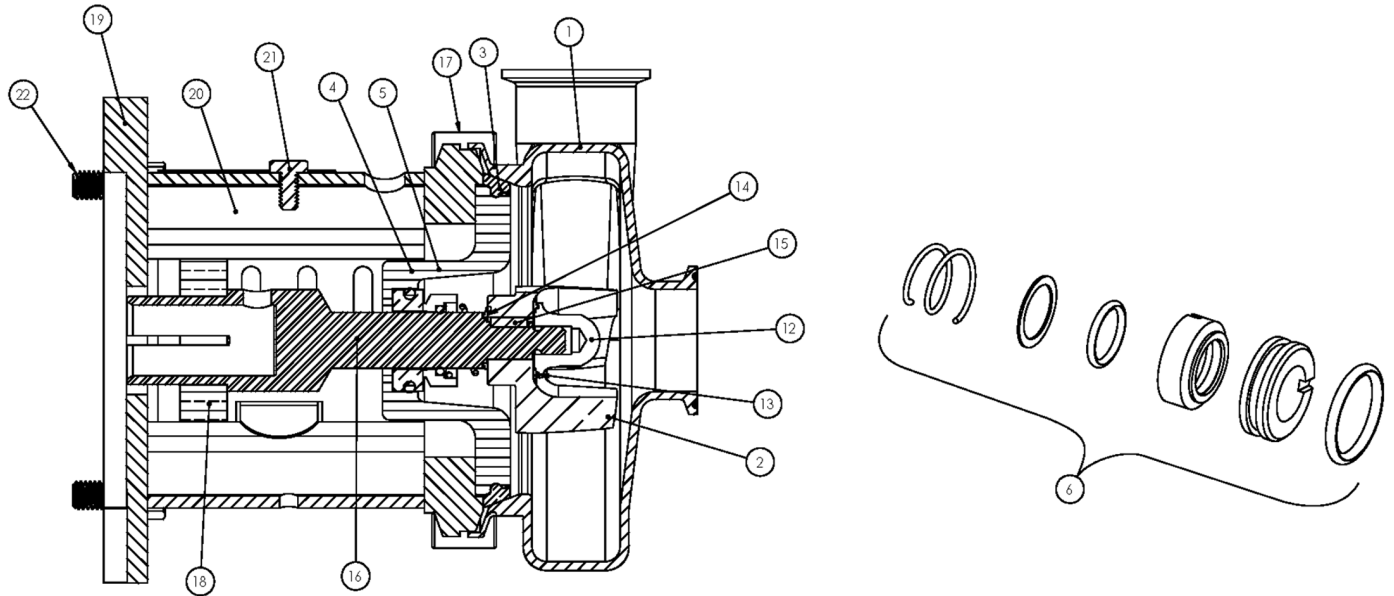
Ref #	Component Item No.	Description	Qty Per
37	<i>GX5516010</i>	<i>WASHER, LOCK, M14, 18-8SS</i>	<i>4</i>
38	<i>GX5516015</i>	<i>WASHER, FLAT, M14, 18-8SS</i>	<i>8</i>



Exploded View

Optional Items Shown in ITALICS

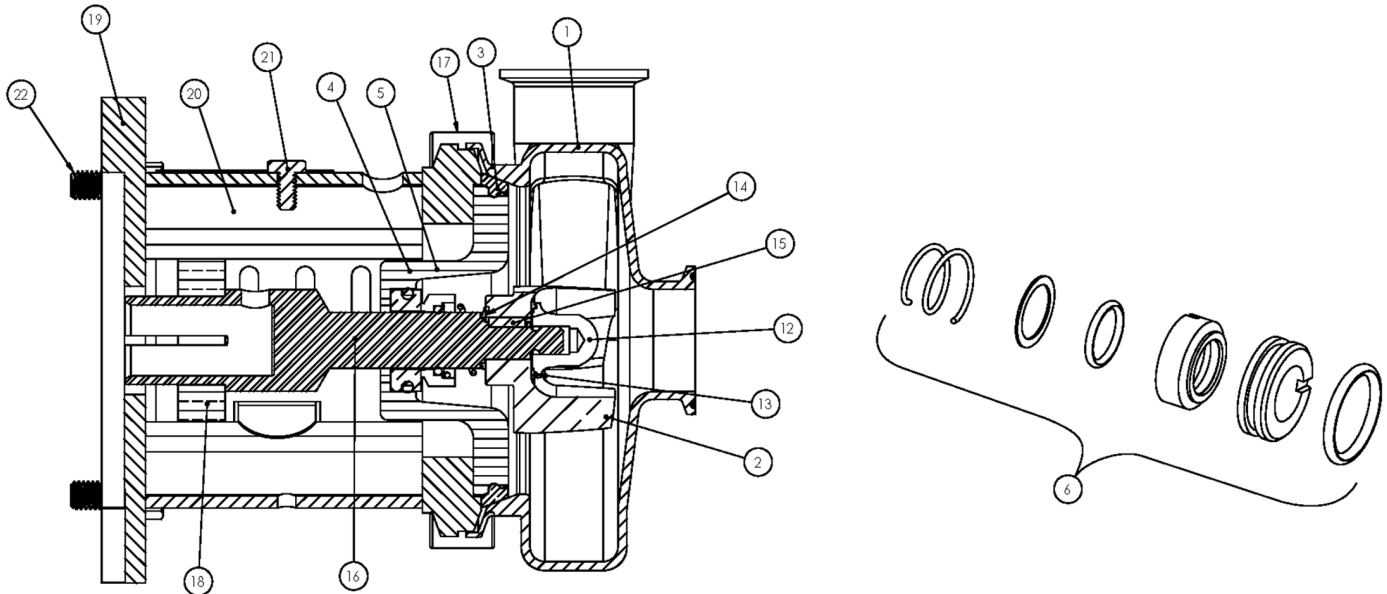
Ref #	Component Item No.	Description	Qty Per
1	S318M-01D-E	CASING,3X1-1/2,TRI-CLMP C318/C+318	1
	<i>S318T-01C-E</i>	<i>***DO NOT USE SEE NOTE*** CASING,3X1-1/2,BVL SEAT</i>	1
	<i>S318MI-01C-E</i>	<i>CASING,3X1-1/2,CLMP GLASS BEAD C C+</i>	1
	<i>S318S-01C-E</i>	<i>CASING,3X1-1/2,NPT C318/C+318</i>	1
	<i>S318F-01C-E</i>	<i>CASING,3X1-1/2,FLNGD C318/C+318</i>	1
2	S218-02CP-316L	IMPELLER,+218/+318 C+ IC+	1
3	S328-90A-U	GASKET,218/328,CASING,BUNA C C+	1
	<i>S328-90A-E</i>	<i>GASKET,218/328,CASING,EPDM C C+</i>	1
	<i>S328-90A-V</i>	<i>GASKET,218/328,CASING,VIT C C+</i>	1
4	328IC+11-316	BACKPLATE,218/328 IC+	1
6	GS8101350	KIT,218/328,SC/CA/VI CB+	1
11	SC1105A-SS	SCREW,SET,DRV COLLR,1/4-20X3/8 -SS	2
12	GX5518000	NUT,HEX,M18-2.5,18-8SS HEX NUT	4
	S328-91C-316L	NUT,+218/+328/+3218,IMP C+ DB	1
13	S328-25A-U	GASKET,218/328,IMP NUT,BUNA C C+	1
	<i>S328-25A-E</i>	<i>GASKET,218/328,IMP NUT,EPDM C C+</i>	1
	<i>S328-25A-V</i>	<i>GASKET,218/328,IMP NUT,VIT C C+</i>	1
14	S328-25B-U	GASKET,218/328,IMP,BACK,BUNA C C+	1
	<i>S328-25B-E</i>	<i>GASKET,218/328,IMP, BACK,EPDM C C+</i>	1
	<i>S328-25B-V</i>	<i>GASKET,218/328,IMP,BACK,VIT C C+</i>	1
15	S328-95C-316L	KEY,IMP,218/318/328 C+	1
16	C328E-160TP-06	STUBSHAFT,160 IEC,METRIC C+218/328	1
17	S328-75AR-S	CLAMP,218/328,CASING C C+	1
18	SX18000816	COLLAR,160,IEC,SHAFT,MTRIC	1
19	328D160T-71C-B5	ADAPTER,160 IEC B5 FRAME,SS C218/C328/C+218/C+328	1
20	C328-21T-131-S	GUARD,SEAL,218/318/328/428,SS C C+ CB+ 210TC	1
22	GX5518170	CAPSCRW,HX,M18-2.5X70MM,18-8SS HX HD	4



Exploded View

Optional Items Shown in ITALICS

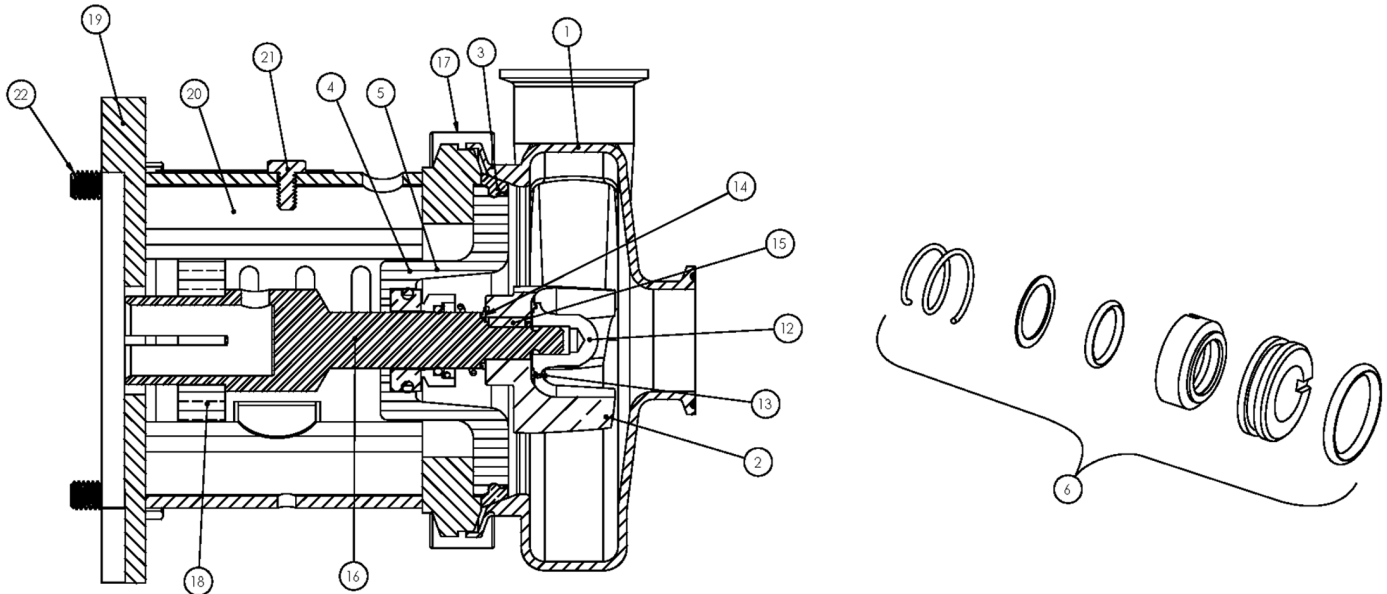
Ref #	Component Item No.	Description	Qty Per
37	GX5518010	WASHER, LOCK, M18, 18-8SS	4
38	GX5518015	WASHER, FLAT, M18, 18-8SS	8



Exploded View

Optional Items Shown in ITALICS

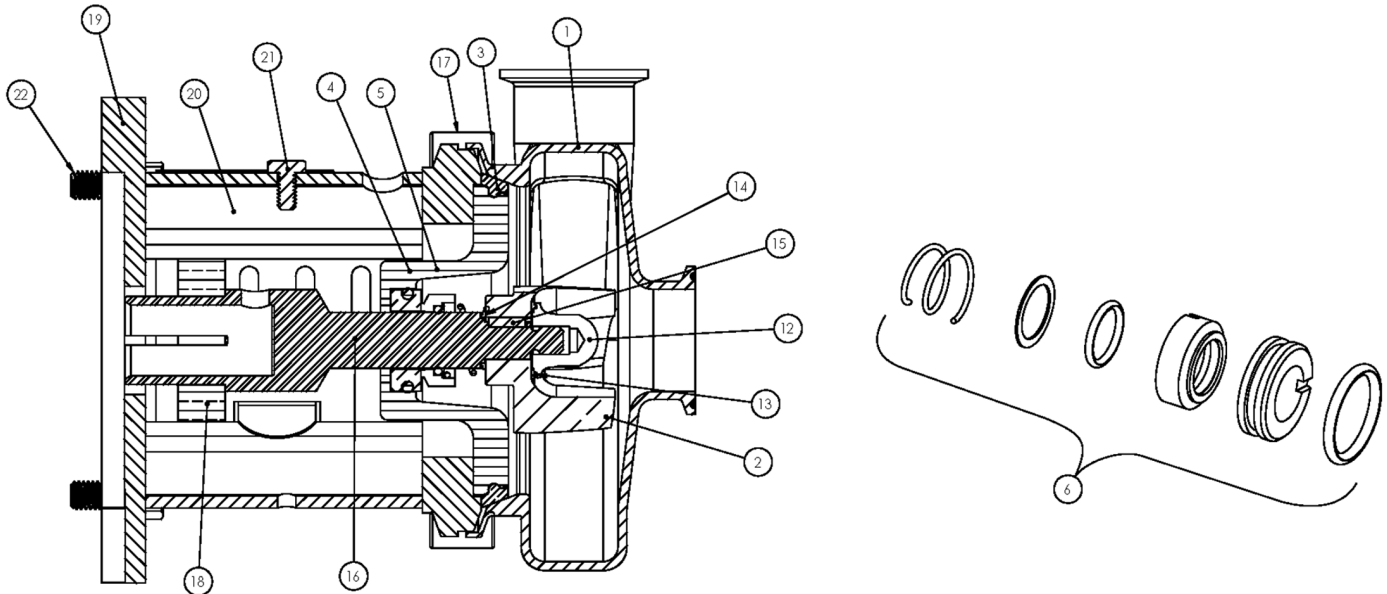
Ref #	Component Item No.	Description	Qty Per
1	S328M-01C	CASING,3X2,TRI-CLMP C328/C+328	1
	<i>S328T-01C</i>	<i>CASING,3X2,BVL SEAT C328/C+328</i>	1
	<i>S328MI-01C</i>	<i>CASING,3X2,CLMP GLASS BEAD C328/C+328</i>	1
	<i>S328S-01C</i>	<i>CASING,3X2,FEMALE NPT C328/C+328</i>	1
	<i>S328F-01D</i>	<i>CASING,3X2,FLNGD C328/C+328</i>	1
2	S328-02CP-316L	IMPELLER,+328/+428 C+ IC+	1
3	S328-90A-U	GASKET,218/328,CASING,BUNA C C+	1
	<i>S328-90A-E</i>	<i>GASKET,218/328,CASING,EPDM C C+</i>	1
	<i>S328-90A-V</i>	<i>GASKET,218/328,CASING,VIT C C+</i>	1
4	328IC+11-316	BACKPLATE,218/328 IC+	1
5	216D-11-1-S	PIN,BACKPLT,114/216/328 C C+	2
6	GS8101350	KIT,218/328,SC/CA/VI CB+	1
12	S328-91C-316L	NUT,+218/+328/+3218,IMP C+ DB	1
13	S328-25A-U	GASKET,218/328,IMP NUT,BUNA C C+	1
	<i>S328-25A-E</i>	<i>GASKET,218/328,IMP NUT,EPDM C C+</i>	1
	<i>S328-25A-V</i>	<i>GASKET,218/328,IMP NUT,VIT C C+</i>	1
14	S328-25B-U	GASKET,218/328,IMP,BACK,BUNA C C+	1
	<i>S328-25B-E</i>	<i>GASKET,218/328,IMP, BACK,EPDM C C+</i>	1
	<i>S328-25B-V</i>	<i>GASKET,218/328,IMP,BACK,VIT C C+</i>	1
15	S328-95C-316L	KEY,IMP,218/318/328 C+	1
16	C328E-14TP-06	STUBSHAFT,140TC C+218/328	1
17	S328-75AR-S	CLAMP,218/328,CASING C C+	1
18	SX18000013	COLLAR,56C/140TC,SHAFT L SEE ITEM NOTES	1
19	328D14T-71C-SS	ADAPTER,140TC FRAME,SS C218/C328/C+218/C+328	1
20	C328-14T-131-S	GUARD,SEAL,218/328,SS C C+ CB+	1
21	GX5079600	CAPSCRW,HX,1/4-20X1/2,18-8SS HX HD	1
22	GX5077100	CAPSCRW,HX,3/8-16X1,18-8SS HX HD	4



Exploded View

Optional Items Shown in ITALICS

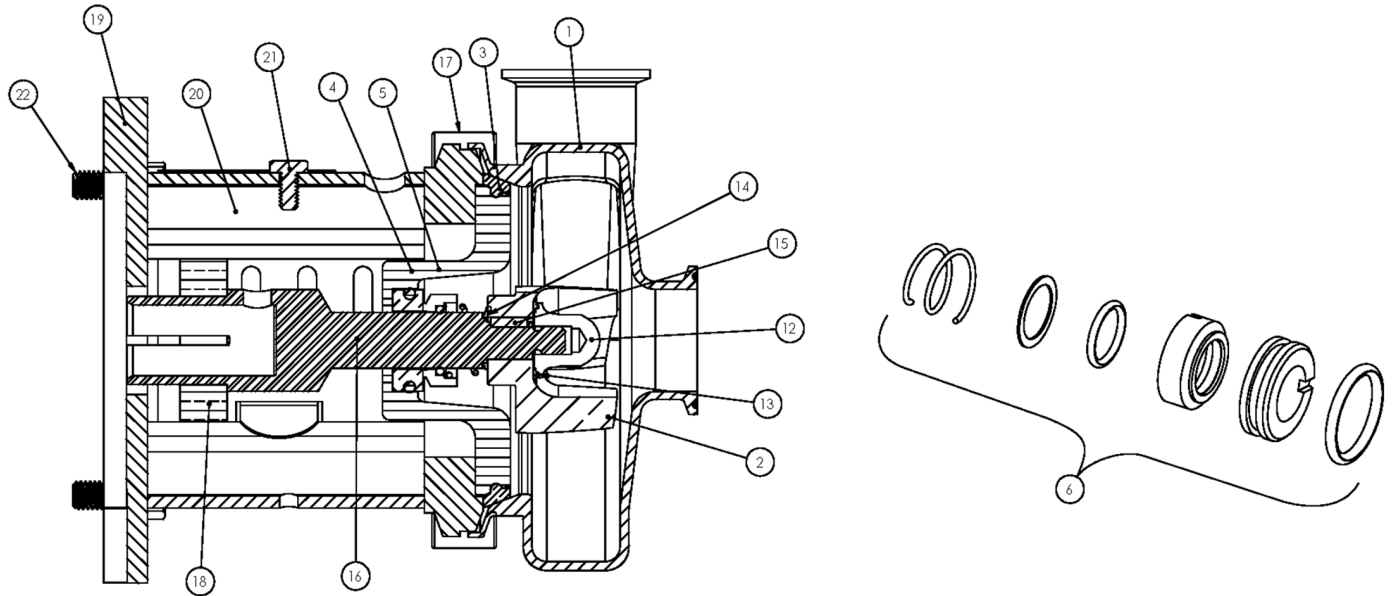
Ref #	Component Item No.	Description	Qty Per
1	S328M-01C	CASING,3X2,TRI-CLMP C328/C+328	1
	<i>S328T-01C</i>	<i>CASING,3X2,BVL SEAT C328/C+328</i>	1
	<i>S328MI-01C</i>	<i>CASING,3X2,CLMP GLASS BEAD C328/C+328</i>	1
	<i>S328S-01C</i>	<i>CASING,3X2,FEMALE NPT C328/C+328</i>	1
	<i>S328F-01D</i>	<i>CASING,3X2,FLNGD C328/C+328</i>	1
2	S328-02CP-316L	IMPELLER,+328/+428 C+ IC+	1
3	S328-90A-U	GASKET,218/328,CASING,BUNA C C+	1
	<i>S328-90A-E</i>	<i>GASKET,218/328,CASING,EPDM C C+</i>	1
	<i>S328-90A-V</i>	<i>GASKET,218/328,CASING,VIT C C+</i>	1
4	328IC+11-316	BACKPLATE,218/328 IC+	1
5	216D-11-1-S	PIN,BACKPLT,114/216/328 C C+	2
6	GS8101350	KIT,218/328,SC/CA/VI CB+	1
12	S328-91C-316L	NUT,+218/+328/+3218,IMP C+ DB	1
13	S328-25A-U	GASKET,218/328,IMP NUT,BUNA C C+	1
	<i>S328-25A-E</i>	<i>GASKET,218/328,IMP NUT,EPDM C C+</i>	1
	<i>S328-25A-V</i>	<i>GASKET,218/328,IMP NUT,VIT C C+</i>	1
14	S328-25B-U	GASKET,218/328,IMP,BACK,BUNA C C+	1
	<i>S328-25B-E</i>	<i>GASKET,218/328,IMP, BACK,EPDM C C+</i>	1
	<i>S328-25B-V</i>	<i>GASKET,218/328,IMP,BACK,VIT C C+</i>	1
15	S328-95C-316L	KEY,IMP,218/318/328 C+	1
16	C328E-18TP-06	STUBSHAFT,180TC C+218/328	1
17	S328-75AR-S	CLAMP,218/328,CASING C C+	1
18	SX18000014	COLLAR,180TC,SHAFT LC	1
19	328D18T-71C-SS	ADAPTER,180TC FRAME,SS C218/C328/C+218/C+328	1
20	C328-18T-131-S	GUARD,SEAL,21/318/328/428,SS C C+ IC+ 180TC	1
21	GX5079600	CAPSCRW,HX,1/4-20X1/2,18-8SS HX HD	1
22	SC1710H-SS	CAPSCRW,HX,1/2-13X1,18-8SS HX HD	4



Exploded View

Optional Items Shown in ITALICS

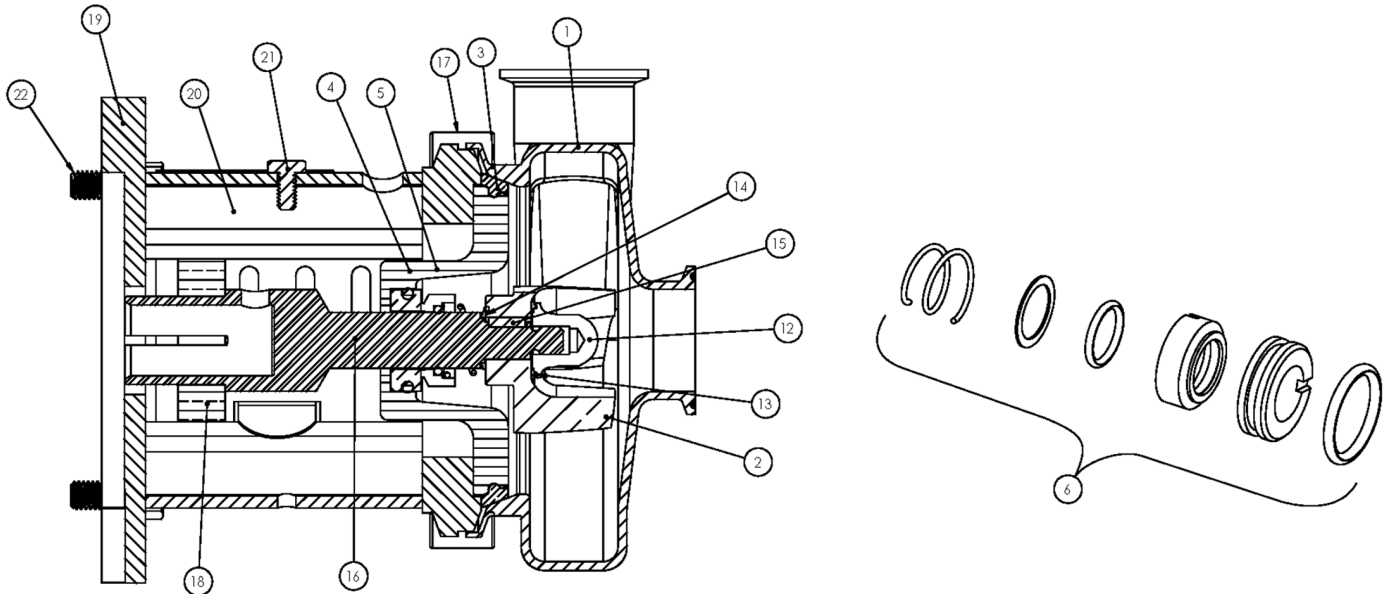
Ref #	Component Item No.	Description	Qty Per
1	S328M-01C	CASING,3X2,TRI-CLMP C328/C+328	1
	<i>S328T-01C</i>	<i>CASING,3X2,BVL SEAT C328/C+328</i>	1
	<i>S328MI-01C</i>	<i>CASING,3X2,CLMP GLASS BEAD C328/C+328</i>	1
	<i>S328S-01C</i>	<i>CASING,3X2,FEMALE NPT C328/C+328</i>	1
	<i>S328F-01D</i>	<i>CASING,3X2,FLNGD C328/C+328</i>	1
2	S328-02CP-316L	IMPELLER,+328/+428 C+ IC+	1
3	S328-90A-U	GASKET,218/328,CASING,BUNA C C+	1
	<i>S328-90A-E</i>	<i>GASKET,218/328,CASING,EPDM C C+</i>	1
	<i>S328-90A-V</i>	<i>GASKET,218/328,CASING,VIT C C+</i>	1
4	328IC+11-316	BACKPLATE,218/328 IC+	1
5	216D-11-1-S	PIN,BACKPLT,114/216/328 C C+	2
6	GS8101350	KIT,218/328,SC/CA/VI CB+	1
11	SC1105A-SS	SCREW,SET,DRV COLLR,1/4-20X3/8 -SS	2
12	S328-91C-316L	NUT,+218/+328/+3218,IMP C+ DB	1
13	S328-25A-U	GASKET,218/328,IMP NUT,BUNA C C+	1
	<i>S328-25A-E</i>	<i>GASKET,218/328,IMP NUT,EPDM C C+</i>	1
	<i>S328-25A-V</i>	<i>GASKET,218/328,IMP NUT,VIT C C+</i>	1
14	S328-25B-U	GASKET,218/328,IMP,BACK,BUNA C C+	1
	<i>S328-25B-E</i>	<i>GASKET,218/328,IMP, BACK,EPDM C C+</i>	1
	<i>S328-25B-V</i>	<i>GASKET,218/328,IMP,BACK,VIT C C+</i>	1
15	S328-95C-316L	KEY,IMP,218/318/328 C+	1
16	C328E-21TP-06	STUBSHAFT,210TC C+218/328	1
17	S328-75AR-S	CLAMP,218/328,CASING C C+	1
18	SX18000015	COLLAR,210TC,SHAFT LC	1
19	328D21T-71C-SS	ADAPTER,210TC FRAME,SS C218/C328/C+218/C+328	1
20	C328-21T-131-S	GUARD,SEAL,218/318/328/428,SS C C+ CB+ 210TC	1
21	GX5079600	CAPSCRW,HX,1/4-20X1/2,18-8SS HX HD	1



Exploded View

Optional Items Shown in ITALICS

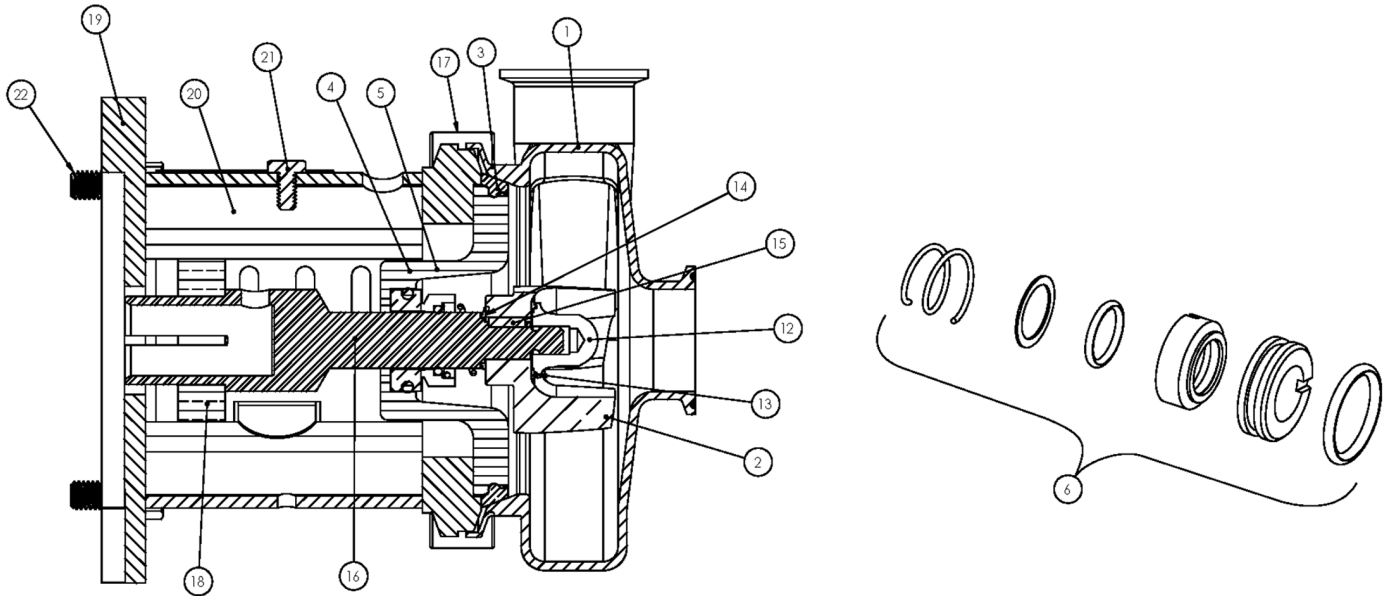
Ref #	Component Item No.	Description	Qty Per
22	SC1710H-SS	CAPSCRW,HX,1/2-13X1,18-8SS HX HD	4



Exploded View

Optional Items Shown in ITALICS

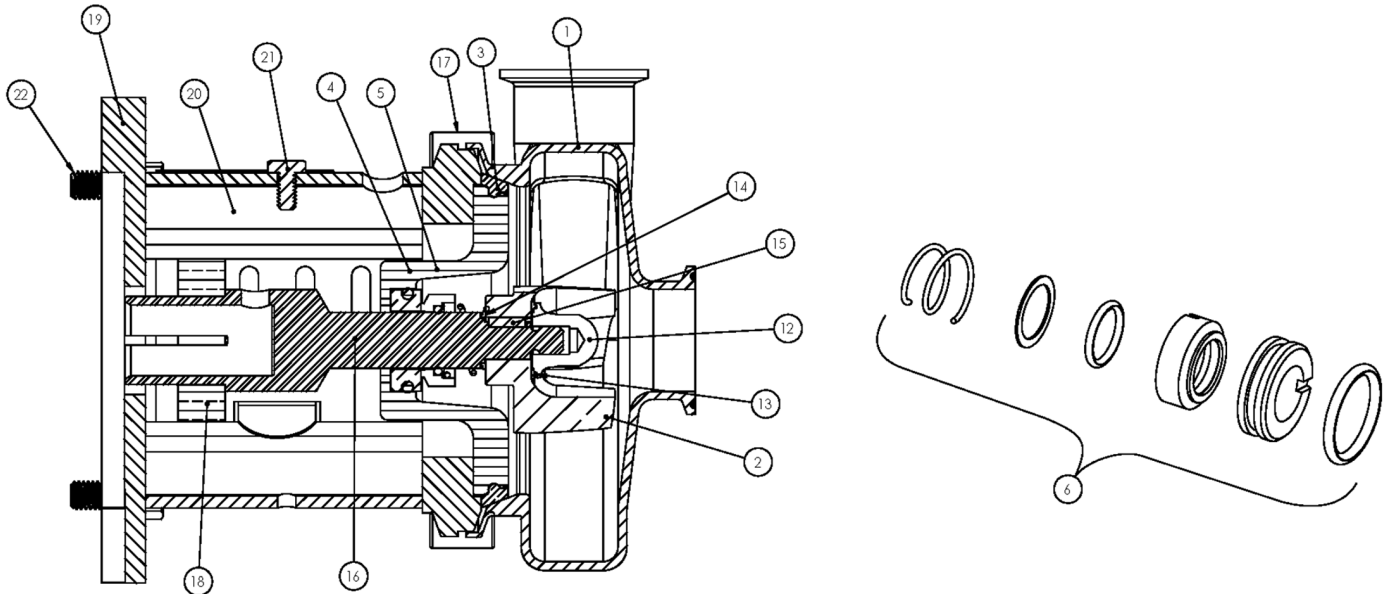
Ref #	Component Item No.	Description	Qty Per
1	S328M-01C	CASING,3X2,TRI-CLMP C328/C+328	1
	<i>S328T-01C</i>	<i>CASING,3X2,BVL SEAT C328/C+328</i>	1
	<i>S328MI-01C</i>	<i>CASING,3X2,CLMP GLASS BEAD C328/C+328</i>	1
	<i>S328S-01C</i>	<i>CASING,3X2,FEMALE NPT C328/C+328</i>	1
	<i>S328F-01D</i>	<i>CASING,3X2,FLNGD C328/C+328</i>	1
2	S328-02CP-316L	IMPELLER,+328/+428 C+ IC+	1
3	S328-90A-U	GASKET,218/328,CASING,BUNA C C+	1
	<i>S328-90A-E</i>	<i>GASKET,218/328,CASING,EPDM C C+</i>	1
	<i>S328-90A-V</i>	<i>GASKET,218/328,CASING,VIT C C+</i>	1
4	328IC+11-316	BACKPLATE,218/328 IC+	1
5	216D-11-1-S	PIN,BACKPLT,114/216/328 C C+	2
6	GS8101350	KIT,218/328,SC/CA/VI CB+	1
11	SC1105A-SS	SCREW,SET,DRV COLLR,1/4-20X3/8 -SS	2
12	S328-91C-316L	NUT,+218/+328/+3218,IMP C+ DB	1
13	S328-25A-U	GASKET,218/328,IMP NUT,BUNA C C+	1
	<i>S328-25A-E</i>	<i>GASKET,218/328,IMP NUT,EPDM C C+</i>	1
	<i>S328-25A-V</i>	<i>GASKET,218/328,IMP NUT,VIT C C+</i>	1
14	S328-25B-U	GASKET,218/328,IMP,BACK,BUNA C C+	1
	<i>S328-25B-E</i>	<i>GASKET,218/328,IMP, BACK,EPDM C C+</i>	1
	<i>S328-25B-V</i>	<i>GASKET,218/328,IMP,BACK,VIT C C+</i>	1
15	S328-95C-316L	KEY,IMP,218/318/328 C+	1
16	C328E-25TP-06	STUBSHAFT,250TC C+218/328	1
17	S328-75AR-S	CLAMP,218/328,CASING C C+	1
18	SX18000016	COLLAR,250TC/280TSC,SHAFT LC	1
19	328D25T-71C-SS	ADAPTER,250TC FRAME,SS C218/C328/C+218/C+328	1
20	C328-25T-131-S	GUARD,SEAL,218/328/428,SS C C+ CB+ 250TC	1
21	GX5079600	CAPSCRW,HX,1/4-20X1/2,18-8SS HX HD	1



Exploded View

Optional Items Shown in ITALICS

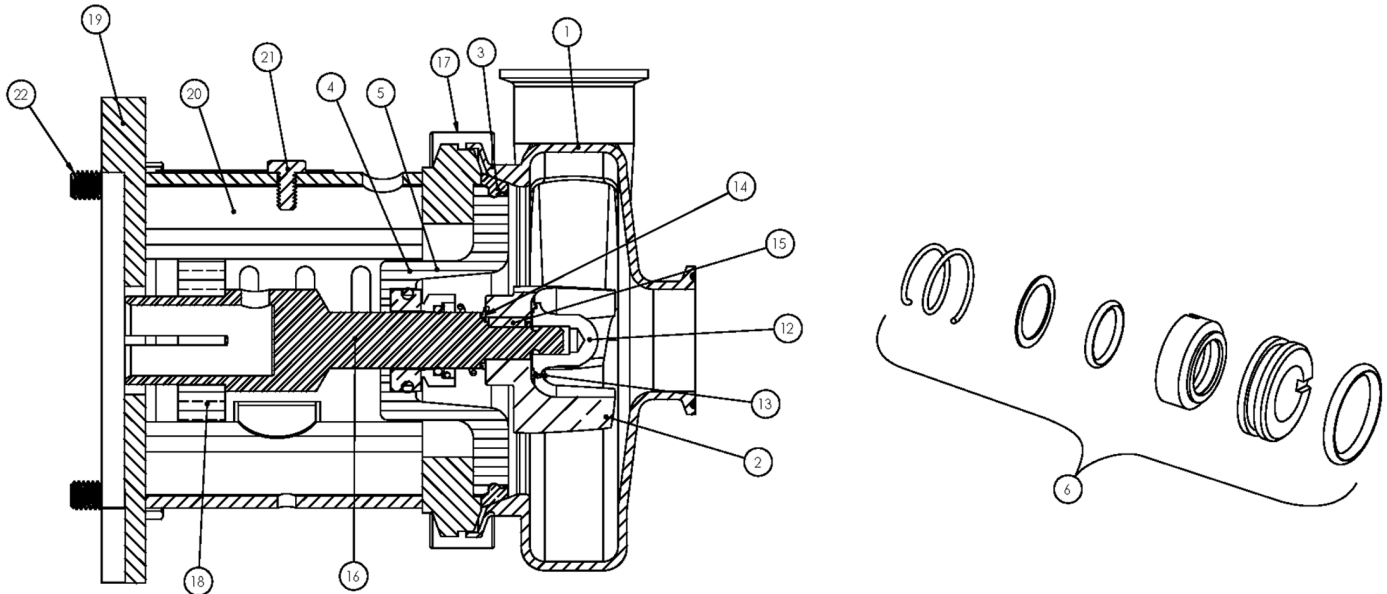
Ref #	Component Item No.	Description	Qty Per
22	SC1710H-SS	CAPSCRW,HX,1/2-13X1,18-8SS HX HD	4



Exploded View

Optional Items Shown in ITALICS

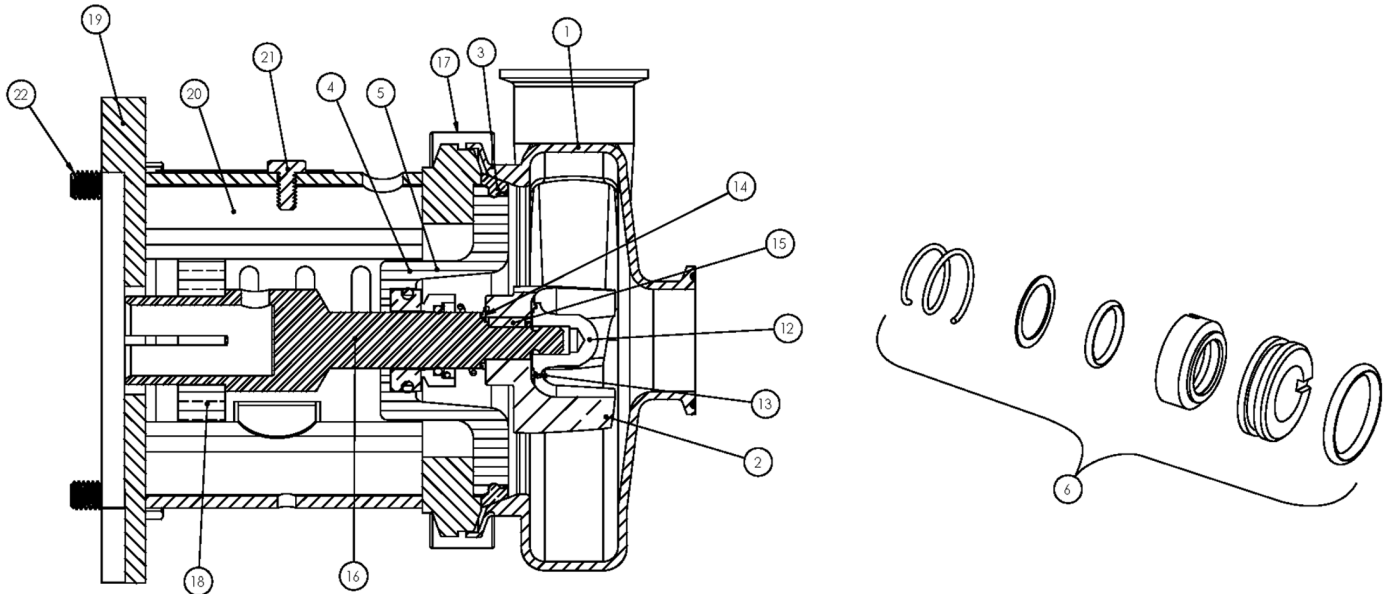
Ref #	Component Item No.	Description	Qty Per
1	S328M-01C	CASING,3X2,TRI-CLMP C328/C+328	1
	<i>S328T-01C</i>	<i>CASING,3X2,BVL SEAT C328/C+328</i>	1
	<i>S328MI-01C</i>	<i>CASING,3X2,CLMP GLASS BEAD C328/C+328</i>	1
	<i>S328S-01C</i>	<i>CASING,3X2,FEMALE NPT C328/C+328</i>	1
	<i>S328F-01D</i>	<i>CASING,3X2,FLNGD C328/C+328</i>	1
2	S328-02CP-316L	IMPELLER,+328/+428 C+ IC+	1
3	S328-90A-U	GASKET,218/328,CASING,BUNA C C+	1
	<i>S328-90A-E</i>	<i>GASKET,218/328,CASING,EPDM C C+</i>	1
	<i>S328-90A-V</i>	<i>GASKET,218/328,CASING,VIT C C+</i>	1
4	328IC+11-316	BACKPLATE,218/328 IC+	1
5	216D-11-1-S	PIN,BACKPLT,114/216/328 C C+	2
6	GS8101350	KIT,218/328,SC/CA/VI CB+	1
12	S328-91C-316L	NUT,+218/+328/+3218,IMP C+ DB	1
13	S328-25A-U	GASKET,218/328,IMP NUT,BUNA C C+	1
	<i>S328-25A-E</i>	<i>GASKET,218/328,IMP NUT,EPDM C C+</i>	1
	<i>S328-25A-V</i>	<i>GASKET,218/328,IMP NUT,VIT C C+</i>	1
14	S328-25B-U	GASKET,218/328,IMP,BACK,BUNA C C+	1
	<i>S328-25B-E</i>	<i>GASKET,218/328,IMP, BACK,EPDM C C+</i>	1
	<i>S328-25B-V</i>	<i>GASKET,218/328,IMP,BACK,VIT C C+</i>	1
15	S328-95C-316L	KEY,IMP,218/318/328 C+	1
16	C328E-28TPC-06	STUBSHAFT,280TC C+218/328	1
17	S328-75AR-S	CLAMP,218/328,CASING C C+	1
18	SX18000027	COLLAR,280TC/320TSC,SHAFT LC	1
19	328D28T-71C-SS	ADAPTER,280TC/TSC FRAME,SS C218/C328/C+218/C+328	1
20	C328-28T-131-S	GUARD,SEAL,218/328/428/4410,SS C C+	1
21	GX5079600	CAPSCRW,HX,1/4-20X1/2,18-8SS HX HD	1
22	SC1710H-SS	CAPSCRW,HX,1/2-13X1,18-8SS HX HD	4



Exploded View

Optional Items Shown in ITALICS

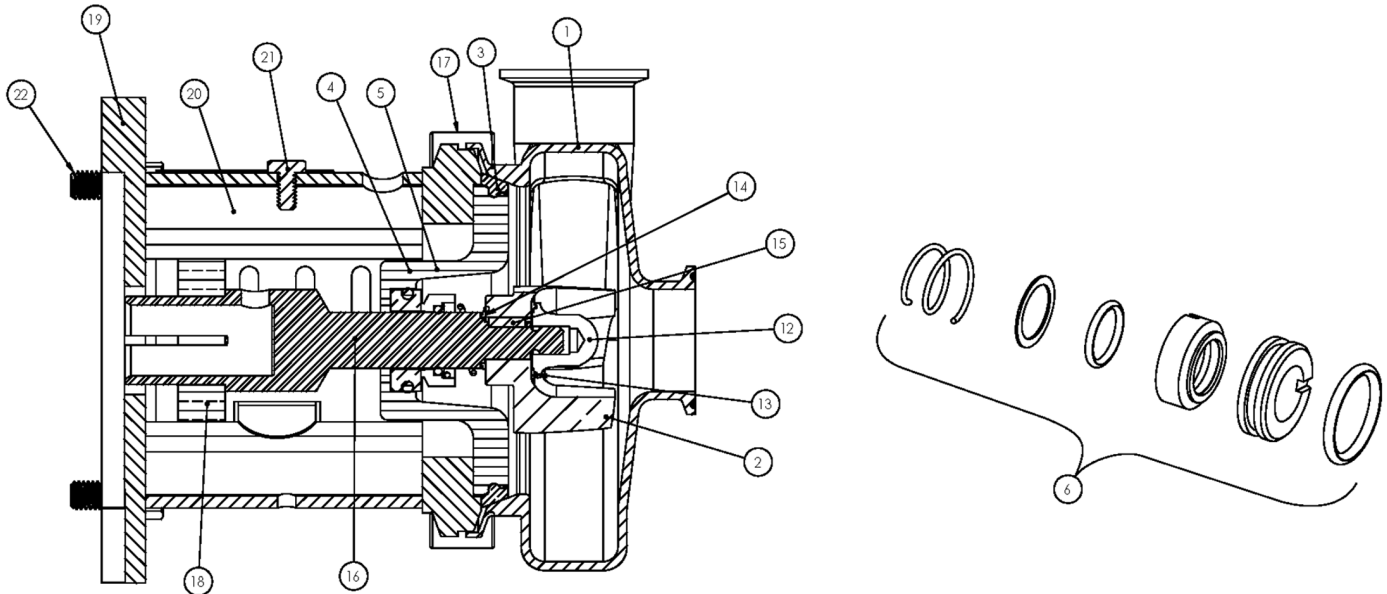
Ref #	Component Item No.	Description	Qty Per
1	S328M-01C	CASING,3X2,TRI-CLMP C328/C+328	1
	<i>S328T-01C</i>	<i>CASING,3X2,BVL SEAT C328/C+328</i>	1
	<i>S328MI-01C</i>	<i>CASING,3X2,CLMP GLASS BEAD C328/C+328</i>	1
	<i>S328S-01C</i>	<i>CASING,3X2,FEMALE NPT C328/C+328</i>	1
	<i>S328F-01D</i>	<i>CASING,3X2,FLNGD C328/C+328</i>	1
2	S328-02CP-316L	IMPELLER,+328/+428 C+ IC+	1
3	S328-90A-U	GASKET,218/328,CASING,BUNA C C+	1
	<i>S328-90A-E</i>	<i>GASKET,218/328,CASING,EPDM C C+</i>	1
	<i>S328-90A-V</i>	<i>GASKET,218/328,CASING,VIT C C+</i>	1
4	328IC+11-316	BACKPLATE,218/328 IC+	1
5	216D-11-1-S	PIN,BACKPLT,114/216/328 C C+	2
6	GS8101350	KIT,218/328,SC/CA/VI CB+	1
12	S328-91C-316L	NUT,+218/+328/+3218,IMP C+ DB	1
13	S328-25A-U	GASKET,218/328,IMP NUT,BUNA C C+	1
	<i>S328-25A-E</i>	<i>GASKET,218/328,IMP NUT,EPDM C C+</i>	1
	<i>S328-25A-V</i>	<i>GASKET,218/328,IMP NUT,VIT C C+</i>	1
14	S328-25B-U	GASKET,218/328,IMP,BACK,BUNA C C+	1
	<i>S328-25B-E</i>	<i>GASKET,218/328,IMP, BACK,EPDM C C+</i>	1
	<i>S328-25B-V</i>	<i>GASKET,218/328,IMP,BACK,VIT C C+</i>	1
15	S328-95C-316L	KEY,IMP,218/318/328 C+	1
16	C328E-28TP-06	STUBSHAFT,280TSC C+218/328	1
17	S328-75AR-S	CLAMP,218/328,CASING C C+	1
18	SX18000035	COLLAR,250TC/280TSC,SHAFT LC	1
19	328D28T-71C-SS	ADAPTER,280TC/TSC FRAME,SS C218/C328/C+218/C+328	1
20	C328-28T-131-S	GUARD,SEAL,218/328/428/4410,SS C C+	1
21	GX5079600	CAPSCRW,HX,1/4-20X1/2,18-8SS HX HD	1
22	SC1710H-SS	CAPSCRW,HX,1/2-13X1,18-8SS HX HD	4



Exploded View

Optional Items Shown in ITALICS

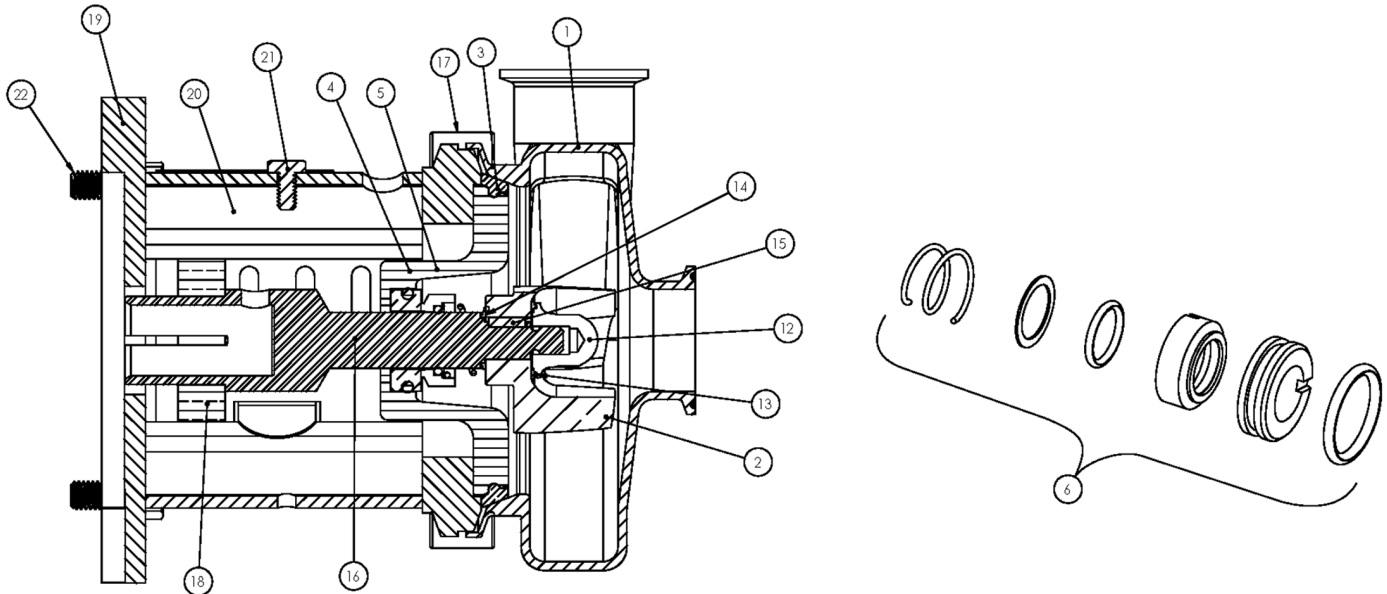
Ref #	Component Item No.	Description	Qty Per
1	S328M-01C	CASING,3X2,TRI-CLMP C328/C+328	1
	<i>S328T-01C</i>	<i>CASING,3X2,BVL SEAT C328/C+328</i>	1
	<i>S328MI-01C</i>	<i>CASING,3X2,CLMP GLASS BEAD C328/C+328</i>	1
	<i>S328S-01C</i>	<i>CASING,3X2,FEMALE NPT C328/C+328</i>	1
	<i>S328F-01D</i>	<i>CASING,3X2,FLNGD C328/C+328</i>	1
2	S328-02CP-316L	IMPELLER,+328/+428 C+ IC+	1
3	S328-90A-U	GASKET,218/328,CASING,BUNA C C+	1
	<i>S328-90A-E</i>	<i>GASKET,218/328,CASING,EPDM C C+</i>	1
	<i>S328-90A-V</i>	<i>GASKET,218/328,CASING,VIT C C+</i>	1
4	328IC+11-316	BACKPLATE,218/328 IC+	1
6	GS8101350	KIT,218/328,SC/CA/VI CB+	1
12	S328-91C-316L	NUT,+218/+328/+3218,IMP C+ DB	1
13	S328-25A-U	GASKET,218/328,IMP NUT,BUNA C C+	1
	<i>S328-25A-E</i>	<i>GASKET,218/328,IMP NUT,EPDM C C+</i>	1
	<i>S328-25A-V</i>	<i>GASKET,218/328,IMP NUT,VIT C C+</i>	1
14	S328-25B-U	GASKET,218/328,IMP,BACK,BUNA C C+	1
	<i>S328-25B-E</i>	<i>GASKET,218/328,IMP,BACK,EPDM C C+</i>	1
	<i>S328-25B-V</i>	<i>GASKET,218/328,IMP,BACK,VIT C C+</i>	1
15	S328-95C-316L	KEY,IMP,218/318/328 C+	1
16	C328E-32CTP-06	STUBSHAFT,320TC C+218/328	1
17	S328-75AR-S	CLAMP,218/328,CASING C C+	1
18	SX18000028	COLLAR,320TC,SHAFT LCX	1
19	328D32T-71C-SS	ADAPTER,320TC FRAME,SS C218/C328/C+218/C+328	1
20	C328-28T-131-S	GUARD,SEAL,218/328/428/4410,SS C C+	1
21	GX5079600	CAPSCRW,HX,1/4-20X1/2,18-8SS HX HD	1
22	GX5076700	CAPSCRW,HX,5/8-11X1-1/2,18-8SS HX HD	4



Exploded View

Optional Items Shown in ITALICS

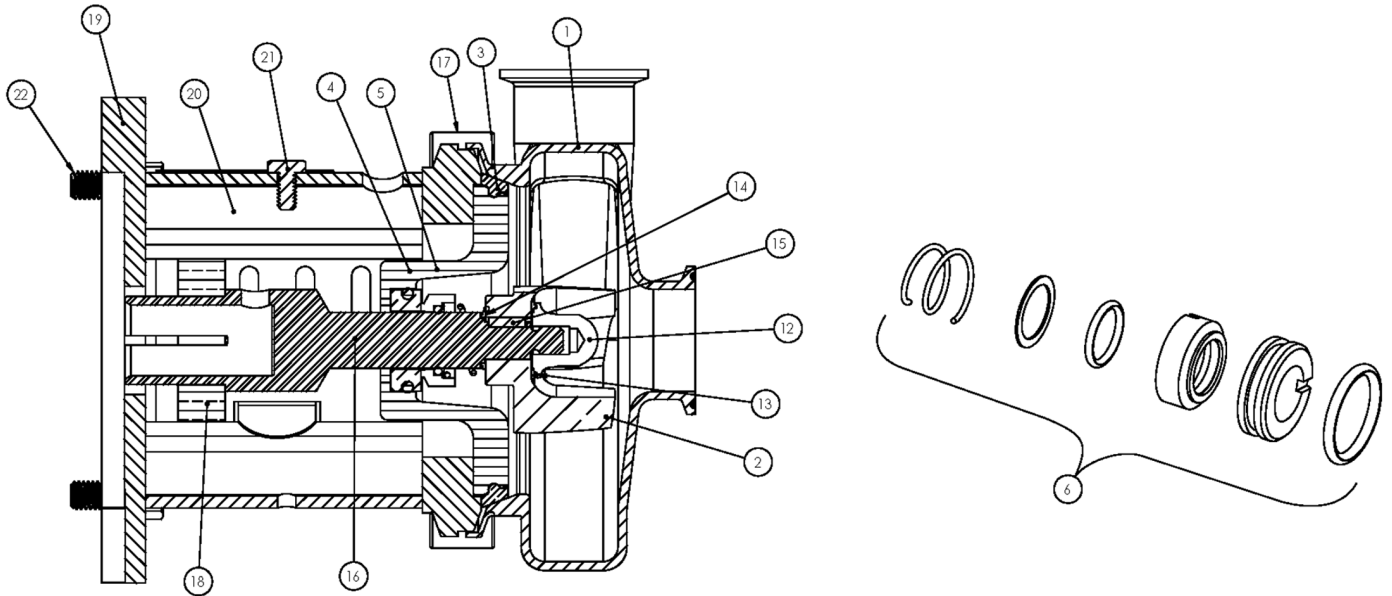
Ref #	Component Item No.	Description	Qty Per
1	S328M-01C	CASING,3X2,TRI-CLMP C328/C+328	1
	<i>S328T-01C</i>	<i>CASING,3X2,BVL SEAT C328/C+328</i>	1
	<i>S328MI-01C</i>	<i>CASING,3X2,CLMP GLASS BEAD C328/C+328</i>	1
	<i>S328S-01C</i>	<i>CASING,3X2,FEMALE NPT C328/C+328</i>	1
	<i>S328F-01D</i>	<i>CASING,3X2,FLNGD C328/C+328</i>	1
2	S328-02CP-316L	IMPELLER,+328/+428 C+ IC+	1
3	S328-90A-U	GASKET,218/328,CASING,BUNA C C+	1
	<i>S328-90A-E</i>	<i>GASKET,218/328,CASING,EPDM C C+</i>	1
	<i>S328-90A-V</i>	<i>GASKET,218/328,CASING,VIT C C+</i>	1
4	328IC+11-316	BACKPLATE,218/328 IC+	1
6	GS8101350	KIT,218/328,SC/CA/VI CB+	1
12	S328-91C-316L	NUT,+218/+328/+3218,IMP C+ DB	1
13	S328-25A-U	GASKET,218/328,IMP NUT,BUNA C C+	1
	<i>S328-25A-E</i>	<i>GASKET,218/328,IMP NUT,EPDM C C+</i>	1
	<i>S328-25A-V</i>	<i>GASKET,218/328,IMP NUT,VIT C C+</i>	1
14	S328-25B-U	GASKET,218/328,IMP,BACK,BUNA C C+	1
	<i>S328-25B-E</i>	<i>GASKET,218/328,IMP,BACK,EPDM C C+</i>	1
	<i>S328-25B-V</i>	<i>GASKET,218/328,IMP,BACK,VIT C C+</i>	1
15	S328-95C-316L	KEY,IMP,218/318/328 C+	1
16	C328E-32TP-06	STUBSHAFT,320TSC C+218/328	1
17	S328-75AR-S	CLAMP,218/328,CASING C C+	1
18	SX18000027	COLLAR,280TC/320TSC,SHAFT LC	1
19	328D32TS-71C-SS	ADAPTER,320TSC FRAME,SS C218/C328/C+218/C+328	1
20	C328-28T-131-S	GUARD,SEAL,218/328/428/4410,SS C C+	1
21	GX5079600	CAPSCRW,HX,1/4-20X1/2,18-8SS HX HD	1
22	GX5076700	CAPSCRW,HX,5/8-11X1-1/2,18-8SS HX HD	4



Exploded View

Optional Items Shown in ITALICS

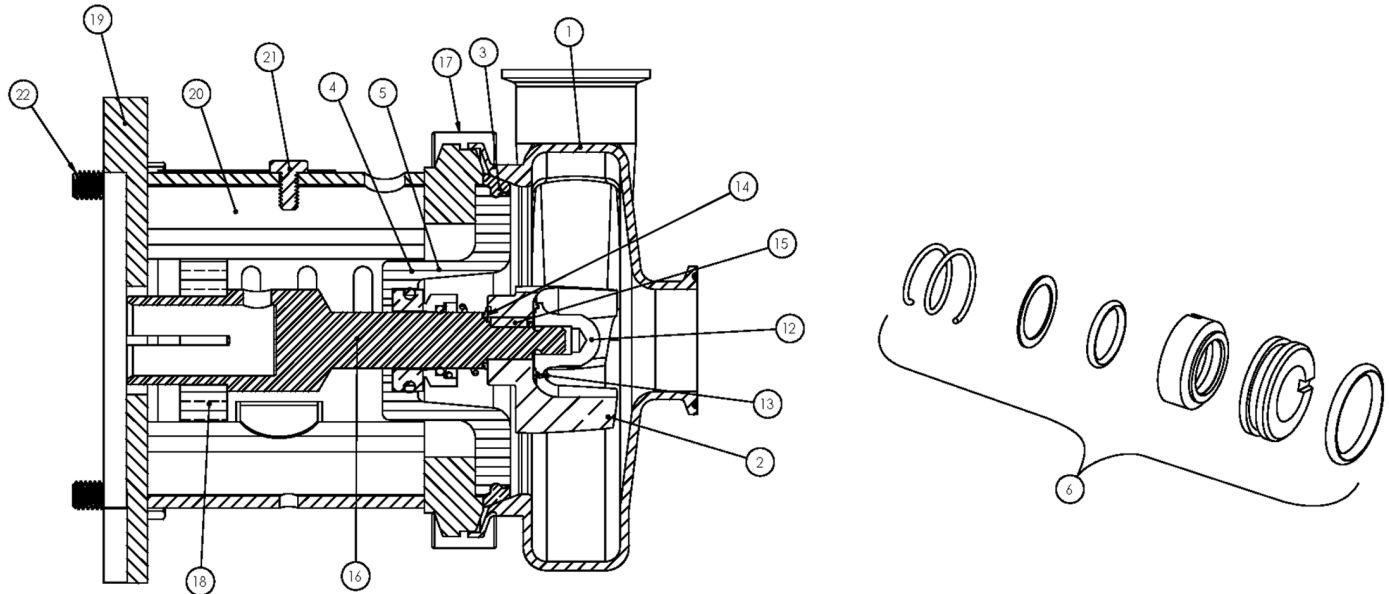
Ref #	Component Item No.	Description	Qty Per
1	S328M-01C	CASING,3X2,TRI-CLMP C328/C+328	1
	<i>S328T-01C</i>	<i>CASING,3X2,BVL SEAT C328/C+328</i>	1
	<i>S328MI-01C</i>	<i>CASING,3X2,CLMP GLASS BEAD C328/C+328</i>	1
	<i>S328S-01C</i>	<i>CASING,3X2,FEMALE NPT C328/C+328</i>	1
	<i>S328F-01D</i>	<i>CASING,3X2,FLNGD C328/C+328</i>	1
2	S328-02CP-316L	IMPELLER,+328/+428 C+ IC+	1
3	S328-90A-U	GASKET,218/328,CASING,BUNA C C+	1
	<i>S328-90A-E</i>	<i>GASKET,218/328,CASING,EPDM C C+</i>	1
	<i>S328-90A-V</i>	<i>GASKET,218/328,CASING,VIT C C+</i>	1
4	328IC+11-316	BACKPLATE,218/328 IC+	1
6	GS8101350	KIT,218/328,SC/CA/VI CB+	1
11	SC1105A-SS	SCREW,SET,DRV COLLR,1/4-20X3/8 -SS	2
12	GX5516000	NUT,HEX,M14-2.0,18-8SS HEX NUT	4
	S328-91C-316L	NUT,+218/+328/+3218,IMP C+ DB	1
13	S328-25A-U	GASKET,218/328,IMP NUT,BUNA C C+	1
	<i>S328-25A-E</i>	<i>GASKET,218/328,IMP NUT,EPDM C C+</i>	1
	<i>S328-25A-V</i>	<i>GASKET,218/328,IMP NUT,VIT C C+</i>	1
14	S328-25B-U	GASKET,218/328,IMP,BACK,BUNA C C+	1
	<i>S328-25B-E</i>	<i>GASKET,218/328,IMP, BACK,EPDM C C+</i>	1
	<i>S328-25B-V</i>	<i>GASKET,218/328,IMP,BACK,VIT C C+</i>	1
15	S328-95C-316L	KEY,IMP,218/318/328 C+	1
16	C328E-112P-06	STUBSHAFT,100/112 IEC,METRIC C+218/328	1
17	S328-75AR-S	CLAMP,218/328,CASING C C+	1
18	SX18000814	COLLAR,100/112 IEC,SHAFT,MTRIC	1
19	328D112-71C-B5	ADAPTER,100/112 IEC B5 FRAME C218/C328/C+218/C+328	1
20	C328-21T-131-S	GUARD,SEAL,218/318/328/428,SS C C+ CB+ 210TC	1
22	GX5516145	CAPSCRW,HX,M14-2.0X55MM,18-8SS HX HD	4



Exploded View

Optional Items Shown in ITALICS

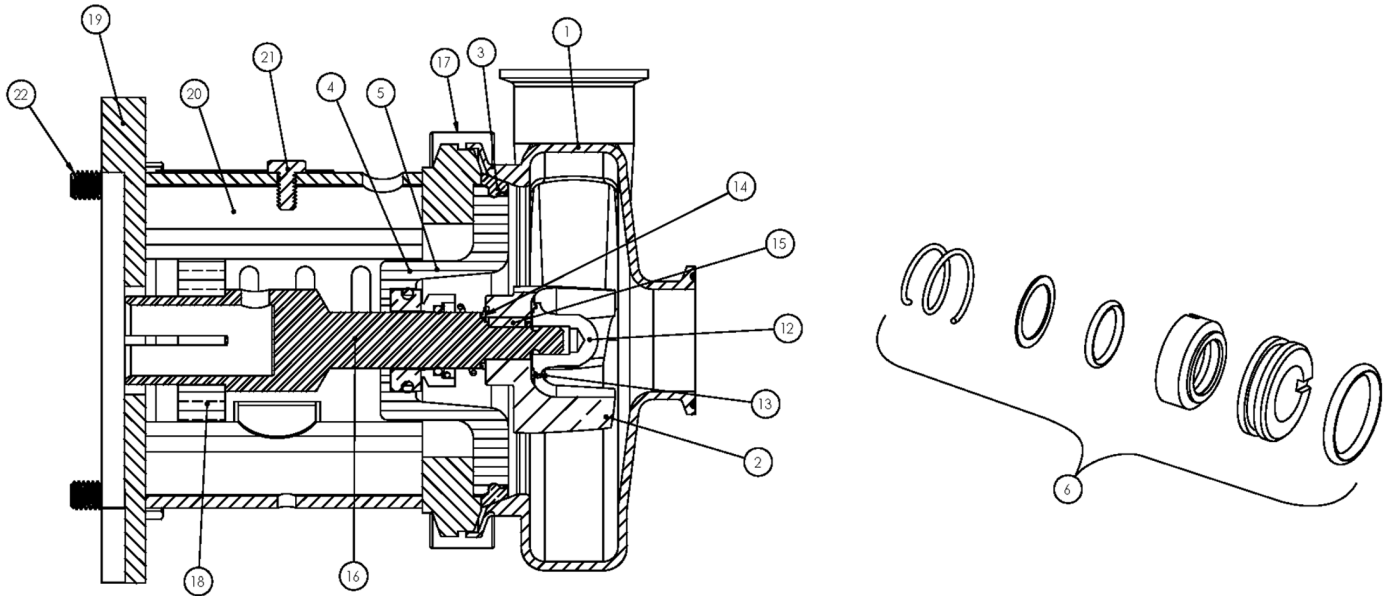
Ref #	Component Item No.	Description	Qty Per
37	<i>GX5516010</i>	<i>WASHER, LOCK, M14, 18-8SS</i>	<i>4</i>
38	<i>GX5516015</i>	<i>WASHER, FLAT, M14, 18-8SS</i>	<i>8</i>



Exploded View

Optional Items Shown in ITALICS

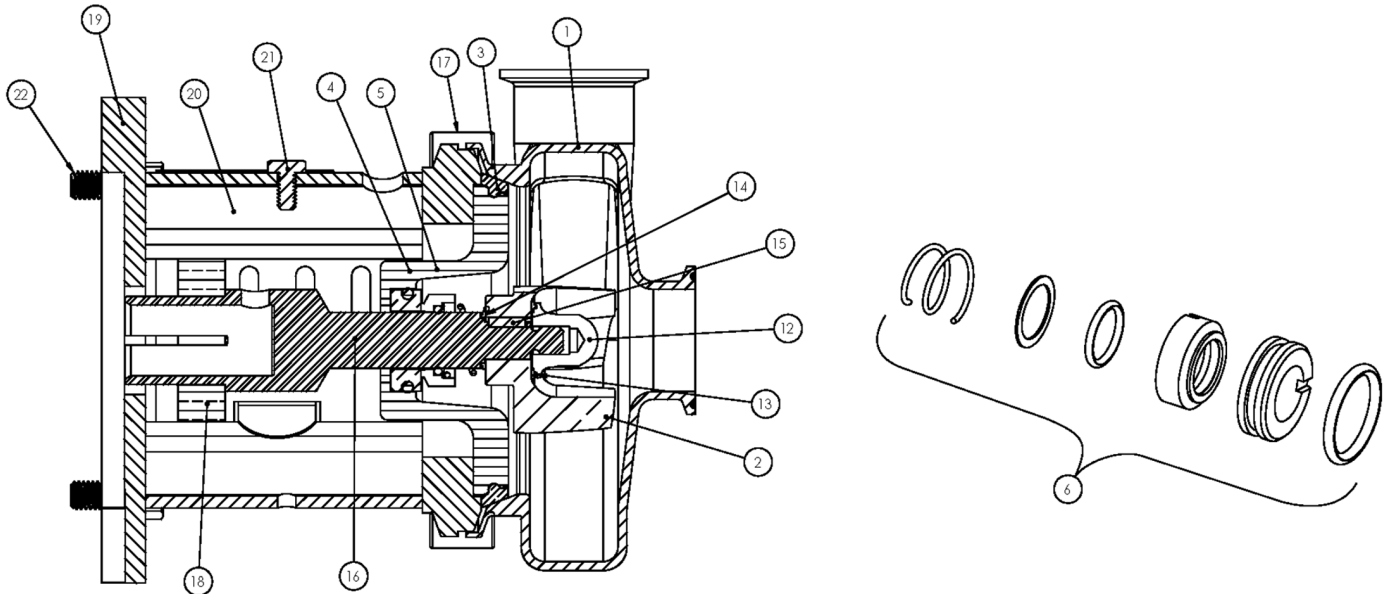
Ref #	Component Item No.	Description	Qty Per
1	S328M-01C	CASING,3X2,TRI-CLMP C328/C+328	1
	<i>S328T-01C</i>	<i>CASING,3X2,BVL SEAT C328/C+328</i>	1
	<i>S328MI-01C</i>	<i>CASING,3X2,CLMP GLASS BEAD C328/C+328</i>	1
	<i>S328S-01C</i>	<i>CASING,3X2,FEMALE NPT C328/C+328</i>	1
	<i>S328F-01D</i>	<i>CASING,3X2,FLNGD C328/C+328</i>	1
2	S328-02CP-316L	IMPELLER,+328/+428 C+ IC+	1
3	S328-90A-U	GASKET,218/328,CASING,BUNA C C+	1
	<i>S328-90A-E</i>	<i>GASKET,218/328,CASING,EPDM C C+</i>	1
	<i>S328-90A-V</i>	<i>GASKET,218/328,CASING,VIT C C+</i>	1
4	328IC+11-316	BACKPLATE,218/328 IC+	1
6	GS8101350	KIT,218/328,SC/CA/VI CB+	1
11	SC1105A-SS	SCREW,SET,DRV COLLR,1/4-20X3/8 -SS	2
12	GX5516000	NUT,HEX,M14-2.0,18-8SS HEX NUT	4
	S328-91C-316L	NUT,+218/+328/+3218,IMP C+ DB	1
13	S328-25A-U	GASKET,218/328,IMP NUT,BUNA C C+	1
	<i>S328-25A-E</i>	<i>GASKET,218/328,IMP NUT,EPDM C C+</i>	1
	<i>S328-25A-V</i>	<i>GASKET,218/328,IMP NUT,VIT C C+</i>	1
14	S328-25B-U	GASKET,218/328,IMP,BACK,BUNA C C+	1
	<i>S328-25B-E</i>	<i>GASKET,218/328,IMP, BACK,EPDM C C+</i>	1
	<i>S328-25B-V</i>	<i>GASKET,218/328,IMP,BACK,VIT C C+</i>	1
15	S328-95C-316L	KEY,IMP,218/318/328 C+	1
16	C328E-132P-06	STUBSHAFT,132 IEC,METRIC C+218/328	1
17	S328-75AR-S	CLAMP,218/328,CASING C C+	1
18	SX18000815	COLLAR,132 IEC,SHAFT,MTRIC	1
19	328D132T-71C-B5	ADAPTER,132 IEC B5 FRAME,SS C218/C328/C+218/C+328	1
20	C328-21T-131-S	GUARD,SEAL,218/318/328/428,SS C C+ CB+ 210TC	1
22	GX5516150	CAPSCRW,HX,M14-2.0X60MM,18-8SS HX HD	4



Exploded View

Optional Items Shown in ITALICS

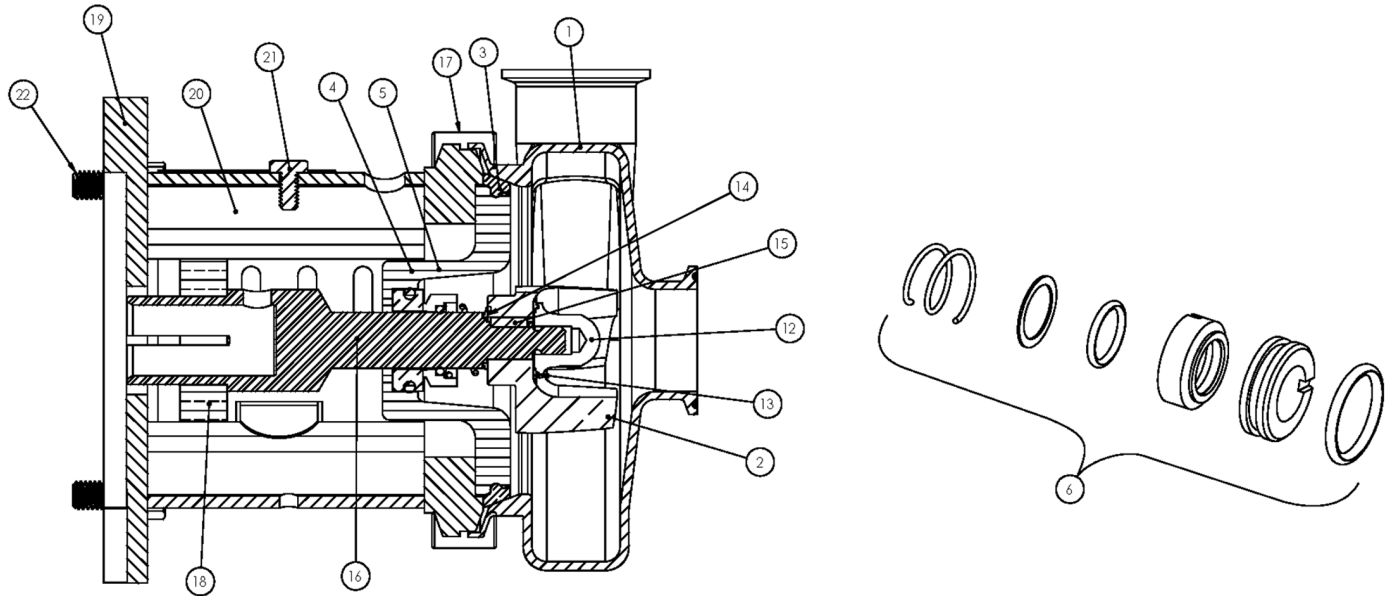
Ref #	Component Item No.	Description	Qty Per
37	<i>GX5516010</i>	<i>WASHER, LOCK, M14, 18-8SS</i>	<i>4</i>
38	<i>GX5516015</i>	<i>WASHER, FLAT, M14, 18-8SS</i>	<i>8</i>



Exploded View

Optional Items Shown in ITALICS

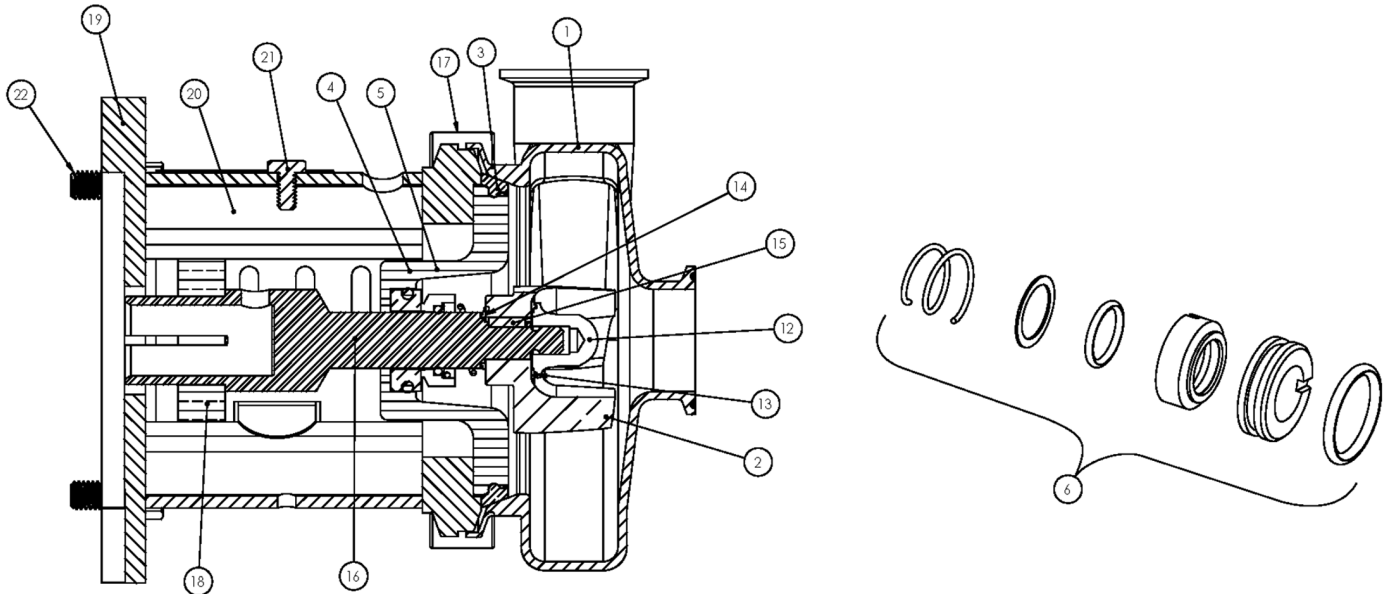
Ref #	Component Item No.	Description	Qty Per
1	S328M-01C	CASING,3X2,TRI-CLMP C328/C+328	1
	<i>S328T-01C</i>	<i>CASING,3X2,BVL SEAT C328/C+328</i>	1
	<i>S328MI-01C</i>	<i>CASING,3X2,CLMP GLASS BEAD C328/C+328</i>	1
	<i>S328S-01C</i>	<i>CASING,3X2,FEMALE NPT C328/C+328</i>	1
	<i>S328F-01D</i>	<i>CASING,3X2,FLNGD C328/C+328</i>	1
2	S328-02CP-316L	IMPELLER,+328/+428 C+ IC+	1
3	S328-90A-U	GASKET,218/328,CASING,BUNA C C+	1
	<i>S328-90A-E</i>	<i>GASKET,218/328,CASING,EPDM C C+</i>	1
	<i>S328-90A-V</i>	<i>GASKET,218/328,CASING,VIT C C+</i>	1
4	328IC+11-316	BACKPLATE,218/328 IC+	1
6	GS8101350	KIT,218/328,SC/CA/VI CB+	1
11	SC1105A-SS	SCREW,SET,DRV COLLR,1/4-20X3/8 -SS	2
12	GX5518000	NUT,HEX,M18-2.5,18-8SS HEX NUT	4
	S328-91C-316L	NUT,+218/+328/+3218,IMP C+ DB	1
13	S328-25A-U	GASKET,218/328,IMP NUT,BUNA C C+	1
	<i>S328-25A-E</i>	<i>GASKET,218/328,IMP NUT,EPDM C C+</i>	1
	<i>S328-25A-V</i>	<i>GASKET,218/328,IMP NUT,VIT C C+</i>	1
14	S328-25B-U	GASKET,218/328,IMP,BACK,BUNA C C+	1
	<i>S328-25B-E</i>	<i>GASKET,218/328,IMP, BACK,EPDM C C+</i>	1
	<i>S328-25B-V</i>	<i>GASKET,218/328,IMP,BACK,VIT C C+</i>	1
15	S328-95C-316L	KEY,IMP,218/318/328 C+	1
16	C328E-160TP-06	STUBSHAFT,160 IEC,METRIC C+218/328	1
17	S328-75AR-S	CLAMP,218/328,CASING C C+	1
18	SX18000816	COLLAR,160,IEC,SHAFT,MTRIC	1
19	328D160T-71C-B5	ADAPTER,160 IEC B5 FRAME,SS C218/C328/C+218/C+328	1
20	C328-21T-131-S	GUARD,SEAL,218/318/328/428,SS C C+ CB+ 210TC	1
22	GX5518170	CAPSCRW,HX,M18-2.5X70MM,18-8SS HX HD	4



Exploded View

Optional Items Shown in ITALICS

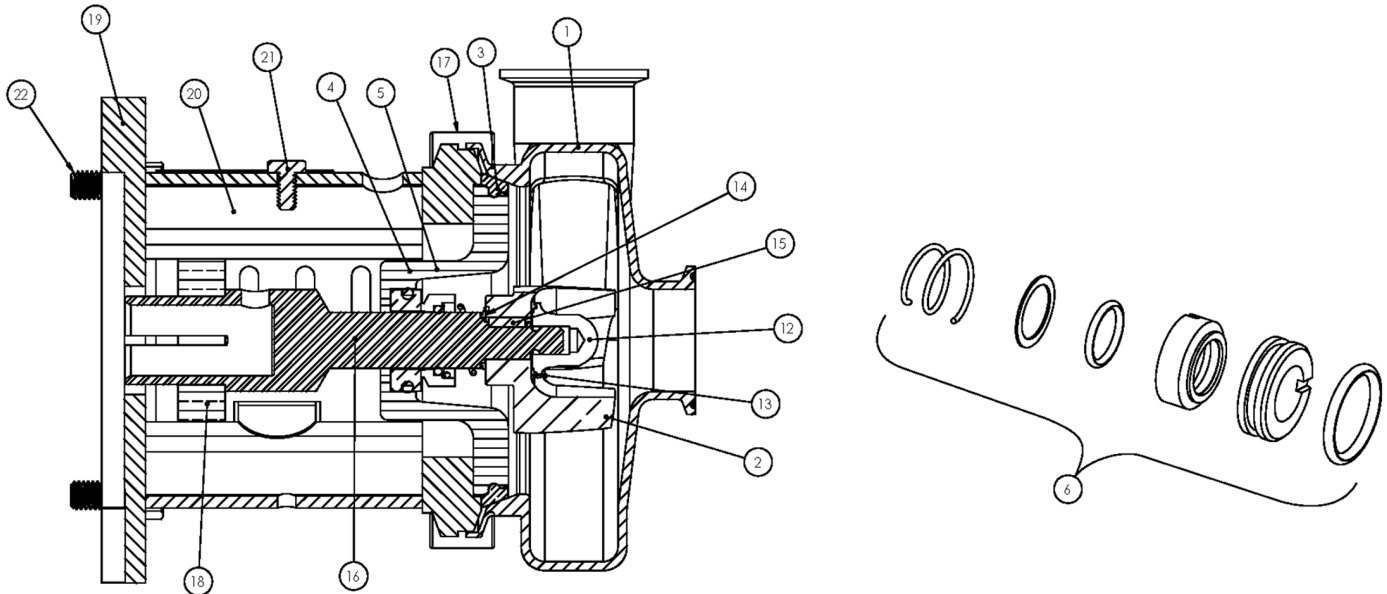
Ref #	Component Item No.	Description	Qty Per
37	GX5518010	WASHER, LOCK, M18, 18-8SS	4
38	GX5518015	WASHER, FLAT, M18, 18-8SS	8



Exploded View

Optional Items Shown in ITALICS

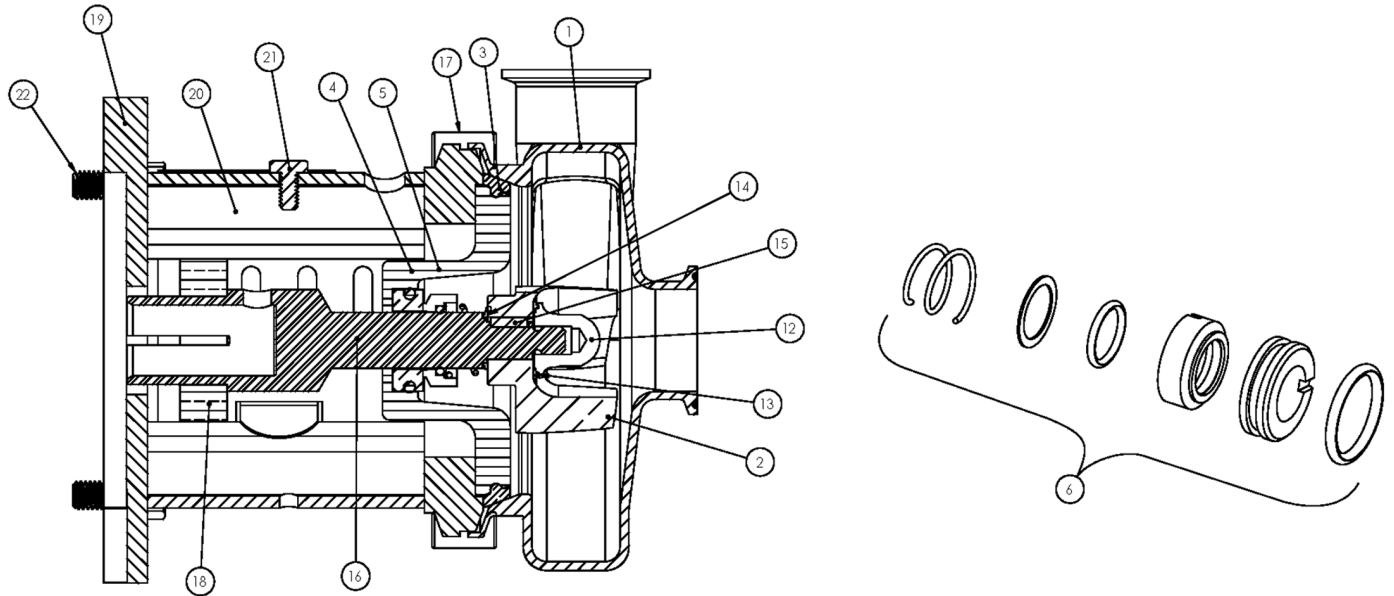
Ref #	Component Item No.	Description	Qty Per
1	S428M-01C-E	CASING,4X2,TRI-CLMP C428/C+428	1
	<i>S428T-01C-E</i>	<i>CASING,4X2,BVL SEAT C428/C+428</i>	1
	<i>S428MI-01C-E</i>	<i>CASING,4X2,CLMP GLASS BEAD C428/C+428</i>	1
	<i>S428S-01C-E</i>	<i>CASING,4X2,NPT C428/C+428</i>	1
	<i>S428F-01D-E</i>	<i>CASING,4X2,FLNGD C428/C+428</i>	1
2	S328-02CP-316L	IMPELLER,+328/+428 C+ IC+	1
3	S328-90A-U	GASKET,218/328,CASING,BUNA C C+	1
	<i>S328-90A-E</i>	<i>GASKET,218/328,CASING,EPDM C C+</i>	1
	<i>S328-90A-V</i>	<i>GASKET,218/328,CASING,VIT C C+</i>	1
4	328IC+11-316	BACKPLATE,218/328 IC+	1
5	216D-11-1-S	PIN,BACKPLT,114/216/328 C C+	2
6	GS8101350	KIT,218/328,SC/CA/VI CB+	1
12	S328-91C-316L	NUT,+218/+328/+3218,IMP C+ DB	1
13	S328-25A-U	GASKET,218/328,IMP NUT,BUNA C C+	1
	<i>S328-25A-E</i>	<i>GASKET,218/328,IMP NUT,EPDM C C+</i>	1
	<i>S328-25A-V</i>	<i>GASKET,218/328,IMP NUT,VIT C C+</i>	1
14	S328-25B-U	GASKET,218/328,IMP,BACK,BUNA C C+	1
	<i>S328-25B-E</i>	<i>GASKET,218/328,IMP, BACK,EPDM C C+</i>	1
	<i>S328-25B-V</i>	<i>GASKET,218/328,IMP,BACK,VIT C C+</i>	1
15	S328-95C-316L	KEY,IMP,218/318/328 C+	1
16	C328E-18TP-06	STUBSHAFT,180TC C+218/328	1
17	S328-75AR-S	CLAMP,218/328,CASING C C+	1
18	SX18000014	COLLAR,180TC,SHAFT LC	1
19	328D18T-71C-SS	ADAPTER,180TC FRAME,SS C218/C328/C+218/C+328	1
20	C328-18T-131-S	GUARD,SEAL,21/318/328/428,SS C C+ IC+ 180TC	1
21	GX5079600	CAPSCRW,HX,1/4-20X1/2,18-8SS HX HD	1
22	SC1710H-SS	CAPSCRW,HX,1/2-13X1,18-8SS HX HD	4



Exploded View

Optional Items Shown in ITALICS

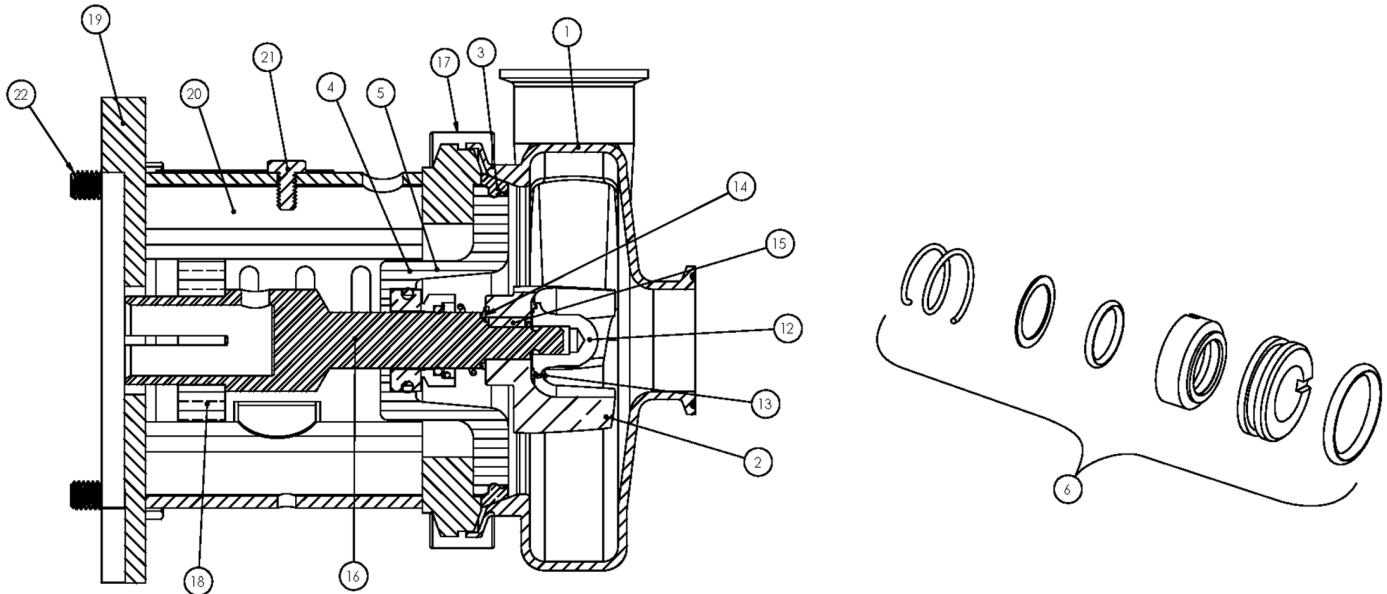
Ref #	Component Item No.	Description	Qty Per
1	S428M-01C-E	CASING,4X2,TRI-CLMP C428/C+428	1
	<i>S428T-01C-E</i>	<i>CASING,4X2,BVL SEAT C428/C+428</i>	1
	<i>S428MI-01C-E</i>	<i>CASING,4X2,CLMP GLASS BEAD C428/C+428</i>	1
	<i>S428S-01C-E</i>	<i>CASING,4X2,NPT C428/C+428</i>	1
	<i>S428F-01D-E</i>	<i>CASING,4X2,FLNGD C428/C+428</i>	1
2	S328-02CP-316L	IMPELLER,+328/+428 C+ IC+	1
3	S328-90A-U	GASKET,218/328,CASING,BUNA C C+	1
	<i>S328-90A-E</i>	<i>GASKET,218/328,CASING,EPDM C C+</i>	1
	<i>S328-90A-V</i>	<i>GASKET,218/328,CASING,VIT C C+</i>	1
4	328IC+11-316	BACKPLATE,218/328 IC+	1
5	216D-11-1-S	PIN,BACKPLT,114/216/328 C C+	2
6	GS8101350	KIT,218/328,SC/CA/VI CB+	1
11	SC1105A-SS	SCREW,SET,DRV COLLR,1/4-20X3/8 -SS	2
12	S328-91C-316L	NUT,+218/+328/+3218,IMP C+ DB	1
13	S328-25A-U	GASKET,218/328,IMP NUT,BUNA C C+	1
	<i>S328-25A-E</i>	<i>GASKET,218/328,IMP NUT,EPDM C C+</i>	1
	<i>S328-25A-V</i>	<i>GASKET,218/328,IMP NUT,VIT C C+</i>	1
14	S328-25B-U	GASKET,218/328,IMP,BACK,BUNA C C+	1
	<i>S328-25B-E</i>	<i>GASKET,218/328,IMP, BACK,EPDM C C+</i>	1
	<i>S328-25B-V</i>	<i>GASKET,218/328,IMP,BACK,VIT C C+</i>	1
15	S328-95C-316L	KEY,IMP,218/318/328 C+	1
16	C328E-21TP-06	STUBSHAFT,210TC C+218/328	1
17	S328-75AR-S	CLAMP,218/328,CASING C C+	1
18	SX18000015	COLLAR,210TC,SHAFT LC	1
19	328D21T-71C-SS	ADAPTER,210TC FRAME,SS C218/C328/C+218/C+328	1
20	C328-21T-131-S	GUARD,SEAL,218/318/328/428,SS C C+ CB+ 210TC	1
21	GX5079600	CAPSCRW,HX,1/4-20X1/2,18-8SS HX HD	1



Exploded View

Optional Items Shown in ITALICS

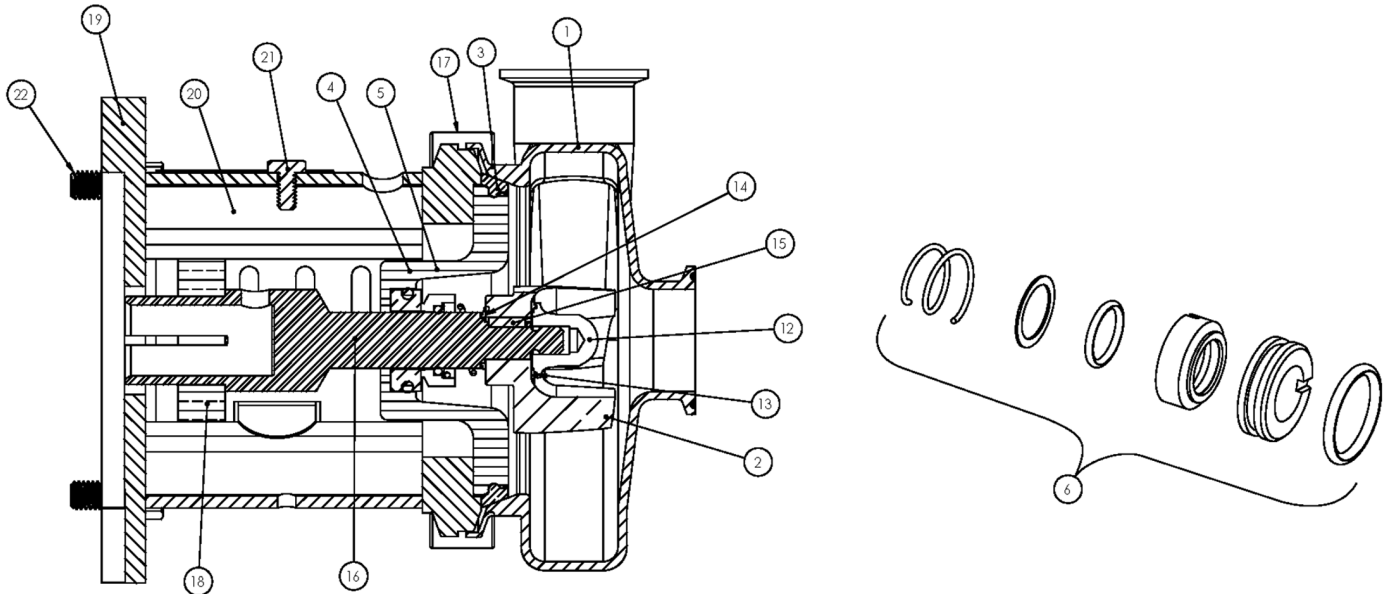
Ref #	Component Item No.	Description	Qty Per
22	SC1710H-SS	CAPSCRW,HX,1/2-13X1,18-8SS HX HD	4



Exploded View

Optional Items Shown in ITALICS

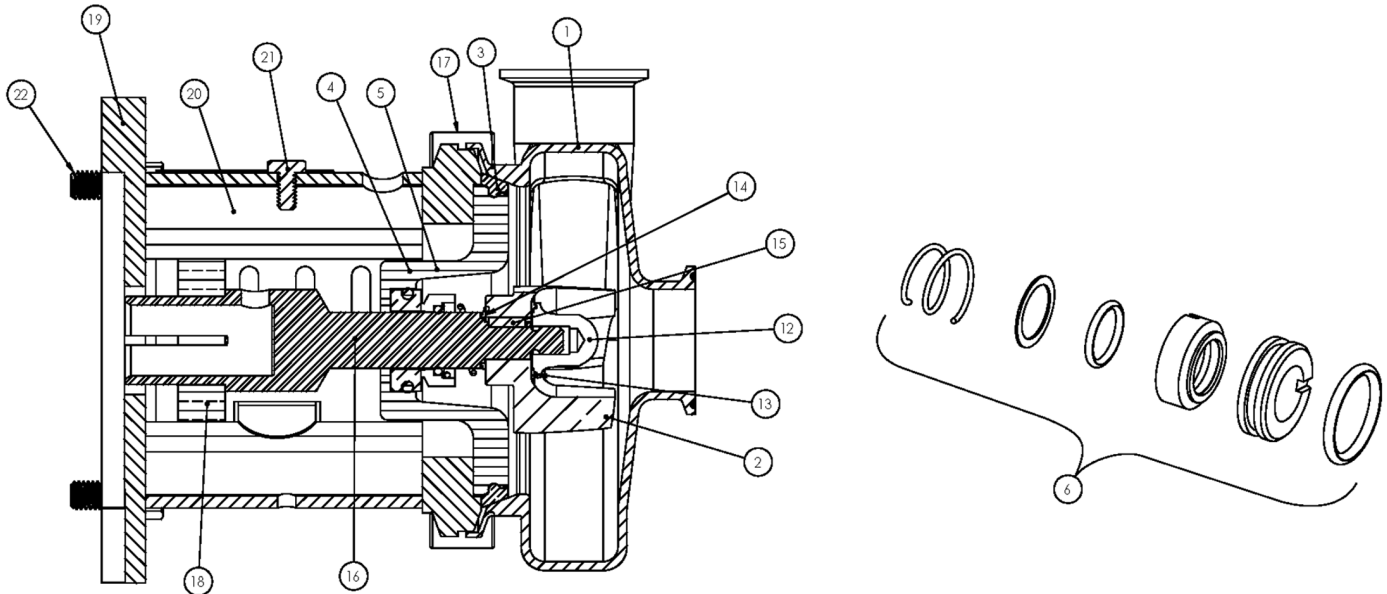
Ref #	Component Item No.	Description	Qty Per
1	S428M-01C-E	CASING,4X2,TRI-CLMP C428/C+428	1
	<i>S428T-01C-E</i>	<i>CASING,4X2,BVL SEAT C428/C+428</i>	1
	<i>S428MI-01C-E</i>	<i>CASING,4X2,CLMP GLASS BEAD C428/C+428</i>	1
	<i>S428S-01C-E</i>	<i>CASING,4X2,NPT C428/C+428</i>	1
	<i>S428F-01D-E</i>	<i>CASING,4X2,FLNGD C428/C+428</i>	1
2	S328-02CP-316L	IMPELLER,+328/+428 C+ IC+	1
3	S328-90A-U	GASKET,218/328,CASING,BUNA C C+	1
	<i>S328-90A-E</i>	<i>GASKET,218/328,CASING,EPDM C C+</i>	1
	<i>S328-90A-V</i>	<i>GASKET,218/328,CASING,VIT C C+</i>	1
4	328IC+11-316	BACKPLATE,218/328 IC+	1
5	216D-11-1-S	PIN,BACKPLT,114/216/328 C C+	2
6	GS8101350	KIT,218/328,SC/CA/VI CB+	1
12	S328-91C-316L	NUT,+218/+328/+3218,IMP C+ DB	1
13	S328-25A-U	GASKET,218/328,IMP NUT,BUNA C C+	1
	<i>S328-25A-E</i>	<i>GASKET,218/328,IMP NUT,EPDM C C+</i>	1
	<i>S328-25A-V</i>	<i>GASKET,218/328,IMP NUT,VIT C C+</i>	1
14	S328-25B-U	GASKET,218/328,IMP,BACK,BUNA C C+	1
	<i>S328-25B-E</i>	<i>GASKET,218/328,IMP, BACK,EPDM C C+</i>	1
	<i>S328-25B-V</i>	<i>GASKET,218/328,IMP,BACK,VIT C C+</i>	1
15	S328-95C-316L	KEY,IMP,218/318/328 C+	1
16	C328E-25TP-06	STUBSHAFT,250TC C+218/328	1
17	S328-75AR-S	CLAMP,218/328,CASING C C+	1
18	SX18000016	COLLAR,250TC/280TSC,SHAFT LC	1
19	328D25T-71C-SS	ADAPTER,250TC FRAME,SS C218/C328/C+218/C+328	1
20	C328-25T-131-S	GUARD,SEAL,218/328/428,SS C C+ CB+ 250TC	1
21	GX5079600	CAPSCRW,HX,1/4-20X1/2,18-8SS HX HD	1
22	SC1710H-SS	CAPSCRW,HX,1/2-13X1,18-8SS HX HD	4



Exploded View

Optional Items Shown in ITALICS

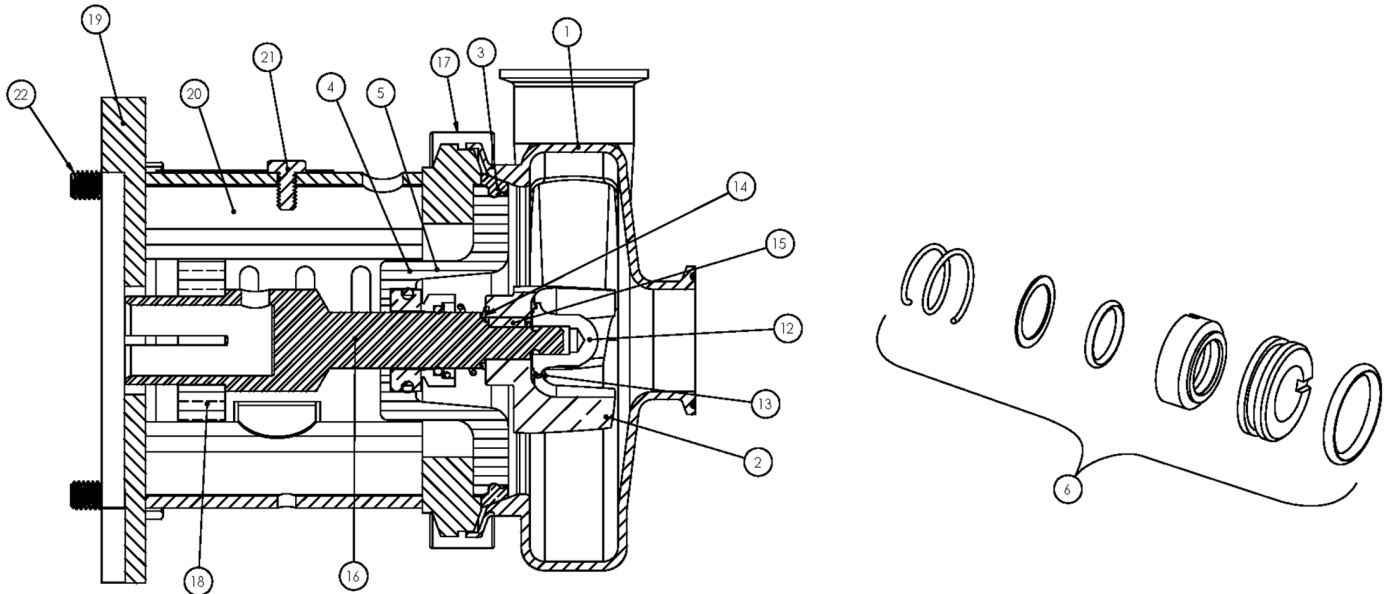
Ref #	Component Item No.	Description	Qty Per
1	S428M-01C-E	CASING,4X2,TRI-CLMP C428/C+428	1
	<i>S428T-01C-E</i>	<i>CASING,4X2,BVL SEAT C428/C+428</i>	1
	<i>S428MI-01C-E</i>	<i>CASING,4X2,CLMP GLASS BEAD C428/C+428</i>	1
	<i>S428S-01C-E</i>	<i>CASING,4X2,NPT C428/C+428</i>	1
	<i>S428F-01D-E</i>	<i>CASING,4X2,FLNGD C428/C+428</i>	1
2	S328-02CP-316L	IMPELLER,+328/+428 C+ IC+	1
3	S328-90A-U	GASKET,218/328,CASING,BUNA C C+	1
	<i>S328-90A-E</i>	<i>GASKET,218/328,CASING,EPDM C C+</i>	1
	<i>S328-90A-V</i>	<i>GASKET,218/328,CASING,VIT C C+</i>	1
4	328IC+11-316	BACKPLATE,218/328 IC+	1
5	216D-11-1-S	PIN,BACKPLT,114/216/328 C C+	2
6	GS8101350	KIT,218/328,SC/CA/VI CB+	1
12	S328-91C-316L	NUT,+218/+328/+3218,IMP C+ DB	1
13	S328-25A-U	GASKET,218/328,IMP NUT,BUNA C C+	1
	<i>S328-25A-E</i>	<i>GASKET,218/328,IMP NUT,EPDM C C+</i>	1
	<i>S328-25A-V</i>	<i>GASKET,218/328,IMP NUT,VIT C C+</i>	1
14	S328-25B-U	GASKET,218/328,IMP,BACK,BUNA C C+	1
	<i>S328-25B-E</i>	<i>GASKET,218/328,IMP, BACK,EPDM C C+</i>	1
	<i>S328-25B-V</i>	<i>GASKET,218/328,IMP,BACK,VIT C C+</i>	1
15	S328-95C-316L	KEY,IMP,218/318/328 C+	1
16	C328E-28TPC-06	STUBSHAFT,280TC C+218/328	1
17	S328-75AR-S	CLAMP,218/328,CASING C C+	1
18	SX18000027	COLLAR,280TC/320TSC,SHAFT LC	1
19	328D28T-71C-SS	ADAPTER,280TC/TSC FRAME,SS C218/C328/C+218/C+328	1
20	C328-28T-131-S	GUARD,SEAL,218/328/428/4410,SS C C+	1
21	GX5079600	CAPSCRW,HX,1/4-20X1/2,18-8SS HX HD	1
22	SC1710H-SS	CAPSCRW,HX,1/2-13X1,18-8SS HX HD	4



Exploded View

Optional Items Shown in ITALICS

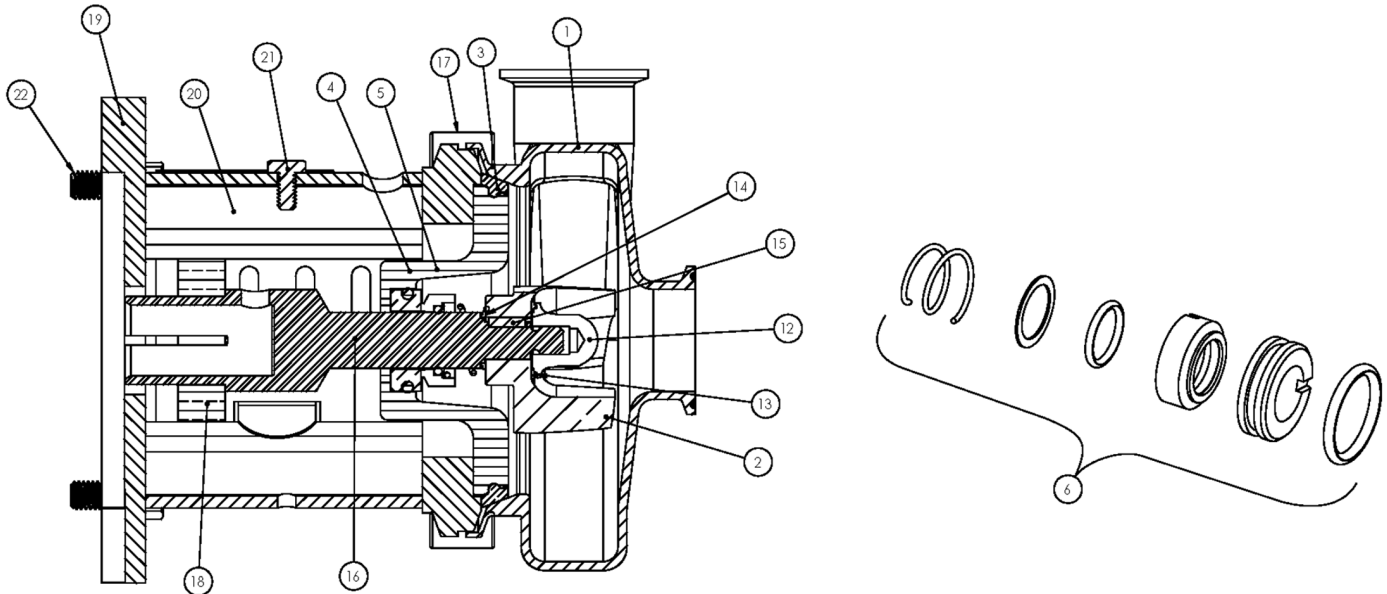
Ref #	Component Item No.	Description	Qty Per
1	S428M-01C-E	CASING,4X2,TRI-CLMP C428/C+428	1
	<i>S428T-01C-E</i>	<i>CASING,4X2,BVL SEAT C428/C+428</i>	1
	<i>S428MI-01C-E</i>	<i>CASING,4X2,CLMP GLASS BEAD C428/C+428</i>	1
	<i>S428S-01C-E</i>	<i>CASING,4X2,NPT C428/C+428</i>	1
	<i>S428F-01D-E</i>	<i>CASING,4X2,FLNGD C428/C+428</i>	1
2	S328-02CP-316L	IMPELLER,+328/+428 C+ IC+	1
3	S328-90A-U	GASKET,218/328,CASING,BUNA C C+	1
	<i>S328-90A-E</i>	<i>GASKET,218/328,CASING,EPDM C C+</i>	1
	<i>S328-90A-V</i>	<i>GASKET,218/328,CASING,VIT C C+</i>	1
4	328IC+11-316	BACKPLATE,218/328 IC+	1
5	216D-11-1-S	PIN,BACKPLT,114/216/328 C C+	2
6	GS8101350	KIT,218/328,SC/CA/VI CB+	1
12	S328-91C-316L	NUT,+218/+328/+3218,IMP C+ DB	1
13	S328-25A-U	GASKET,218/328,IMP NUT,BUNA C C+	1
	<i>S328-25A-E</i>	<i>GASKET,218/328,IMP NUT,EPDM C C+</i>	1
	<i>S328-25A-V</i>	<i>GASKET,218/328,IMP NUT,VIT C C+</i>	1
14	S328-25B-U	GASKET,218/328,IMP,BACK,BUNA C C+	1
	<i>S328-25B-E</i>	<i>GASKET,218/328,IMP, BACK,EPDM C C+</i>	1
	<i>S328-25B-V</i>	<i>GASKET,218/328,IMP,BACK,VIT C C+</i>	1
15	S328-95C-316L	KEY,IMP,218/318/328 C+	1
16	C328E-28TP-06	STUBSHAFT,280TSC C+218/328	1
17	S328-75AR-S	CLAMP,218/328,CASING C C+	1
18	SX18000035	COLLAR,250TC/280TSC,SHAFT LC	1
19	328D28T-71C-SS	ADAPTER,280TC/TSC FRAME,SS C218/C328/C+218/C+328	1
20	C328-28T-131-S	GUARD,SEAL,218/328/428/4410,SS C C+	1
21	GX5079600	CAPSCRW,HX,1/4-20X1/2,18-8SS HX HD	1
22	SC1710H-SS	CAPSCRW,HX,1/2-13X1,18-8SS HX HD	4



Exploded View

Optional Items Shown in ITALICS

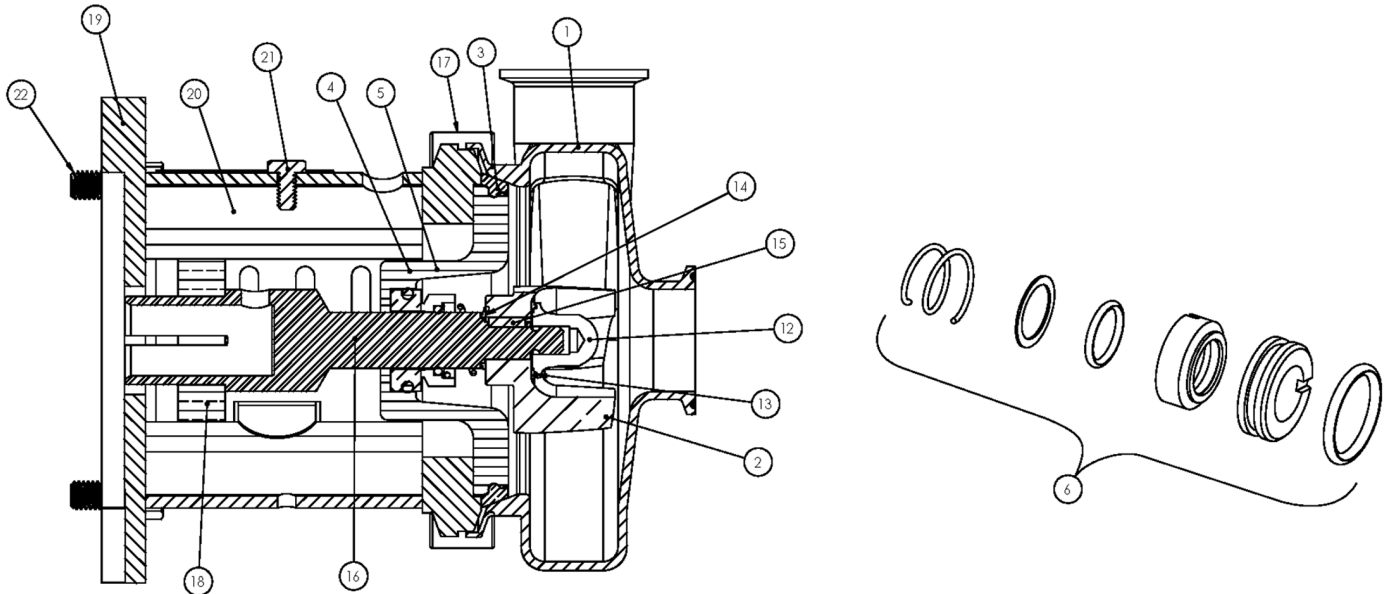
Ref #	Component Item No.	Description	Qty Per
1	S428M-01C-E	CASING,4X2,TRI-CLMP C428/C+428	1
	<i>S428T-01C-E</i>	<i>CASING,4X2,BVL SEAT C428/C+428</i>	1
	<i>S428MI-01C-E</i>	<i>CASING,4X2,CLMP GLASS BEAD C428/C+428</i>	1
	<i>S428S-01C-E</i>	<i>CASING,4X2,NPT C428/C+428</i>	1
	<i>S428F-01D-E</i>	<i>CASING,4X2,FLNGD C428/C+428</i>	1
2	S328-02CP-316L	IMPELLER,+328/+428 C+ IC+	1
3	S328-90A-U	GASKET,218/328,CASING,BUNA C C+	1
	<i>S328-90A-E</i>	<i>GASKET,218/328,CASING,EPDM C C+</i>	1
	<i>S328-90A-V</i>	<i>GASKET,218/328,CASING,VIT C C+</i>	1
4	328IC+11-316	BACKPLATE,218/328 IC+	1
6	GS8101350	KIT,218/328,SC/CA/VI CB+	1
12	S328-91C-316L	NUT,+218/+328/+3218,IMP C+ DB	1
13	S328-25A-U	GASKET,218/328,IMP NUT,BUNA C C+	1
	<i>S328-25A-E</i>	<i>GASKET,218/328,IMP NUT,EPDM C C+</i>	1
	<i>S328-25A-V</i>	<i>GASKET,218/328,IMP NUT,VIT C C+</i>	1
14	S328-25B-U	GASKET,218/328,IMP,BACK,BUNA C C+	1
	<i>S328-25B-E</i>	<i>GASKET,218/328,IMP,BACK,EPDM C C+</i>	1
	<i>S328-25B-V</i>	<i>GASKET,218/328,IMP,BACK,VIT C C+</i>	1
15	S328-95C-316L	KEY,IMP,218/318/328 C+	1
16	C328E-32CTP-06	STUBSHAFT,320TC C+218/328	1
17	S328-75AR-S	CLAMP,218/328,CASING C C+	1
18	SX18000028	COLLAR,320TC,SHAFT LCX	1
19	328D32T-71C-SS	ADAPTER,320TC FRAME,SS C218/C328/C+218/C+328	1
20	C328-28T-131-S	GUARD,SEAL,218/328/428/4410,SS C C+	1
21	GX5079600	CAPSCRW,HX,1/4-20X1/2,18-8SS HX HD	1
22	GX5076700	CAPSCRW,HX,5/8-11X1-1/2,18-8SS HX HD	4



Exploded View

Optional Items Shown in ITALICS

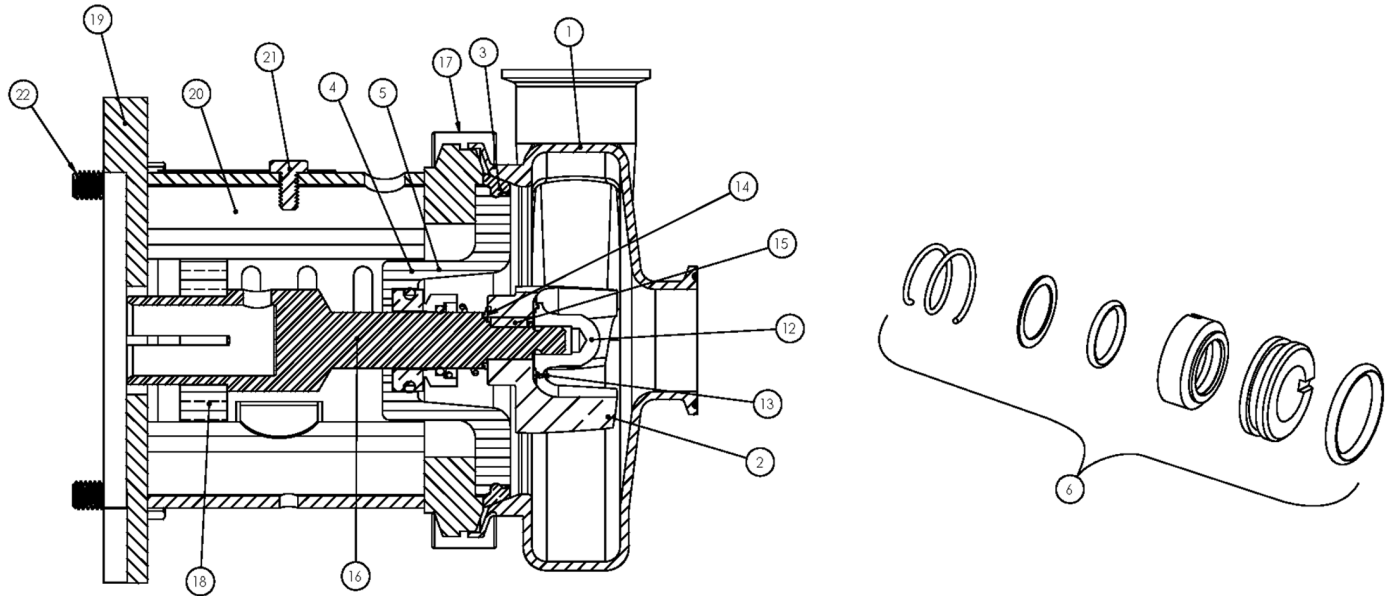
Ref #	Component Item No.	Description	Qty Per
1	S428M-01C-E	CASING,4X2,TRI-CLMP C428/C+428	1
	<i>S428T-01C-E</i>	<i>CASING,4X2,BVL SEAT C428/C+428</i>	1
	<i>S428MI-01C-E</i>	<i>CASING,4X2,CLMP GLASS BEAD C428/C+428</i>	1
	<i>S428S-01C-E</i>	<i>CASING,4X2,NPT C428/C+428</i>	1
	<i>S428F-01D-E</i>	<i>CASING,4X2,FLNGD C428/C+428</i>	1
2	S328-02CP-316L	IMPELLER,+328/+428 C+ IC+	1
3	S328-90A-U	GASKET,218/328,CASING,BUNA C C+	1
	<i>S328-90A-E</i>	<i>GASKET,218/328,CASING,EPDM C C+</i>	1
	<i>S328-90A-V</i>	<i>GASKET,218/328,CASING,VIT C C+</i>	1
4	328IC+11-316	BACKPLATE,218/328 IC+	1
6	GS8101350	KIT,218/328,SC/CA/VI CB+	1
12	S328-91C-316L	NUT,+218/+328/+3218,IMP C+ DB	1
13	S328-25A-U	GASKET,218/328,IMP NUT,BUNA C C+	1
	<i>S328-25A-E</i>	<i>GASKET,218/328,IMP NUT,EPDM C C+</i>	1
	<i>S328-25A-V</i>	<i>GASKET,218/328,IMP NUT,VIT C C+</i>	1
14	S328-25B-U	GASKET,218/328,IMP,BACK,BUNA C C+	1
	<i>S328-25B-E</i>	<i>GASKET,218/328,IMP,BACK,EPDM C C+</i>	1
	<i>S328-25B-V</i>	<i>GASKET,218/328,IMP,BACK,VIT C C+</i>	1
15	S328-95C-316L	KEY,IMP,218/318/328 C+	1
16	C328E-32TP-06	STUBSHAFT,320TSC C+218/328	1
17	S328-75AR-S	CLAMP,218/328,CASING C C+	1
18	SX18000027	COLLAR,280TC/320TSC,SHAFT LC	1
19	328D32TS-71C-SS	ADAPTER,320TSC FRAME,SS C218/C328/C+218/C+328	1
20	C328-28T-131-S	GUARD,SEAL,218/328/428/4410,SS C C+	1
21	GX5079600	CAPSCRW,HX,1/4-20X1/2,18-8SS HX HD	1
22	GX5076700	CAPSCRW,HX,5/8-11X1-1/2,18-8SS HX HD	4



Exploded View

Optional Items Shown in ITALICS

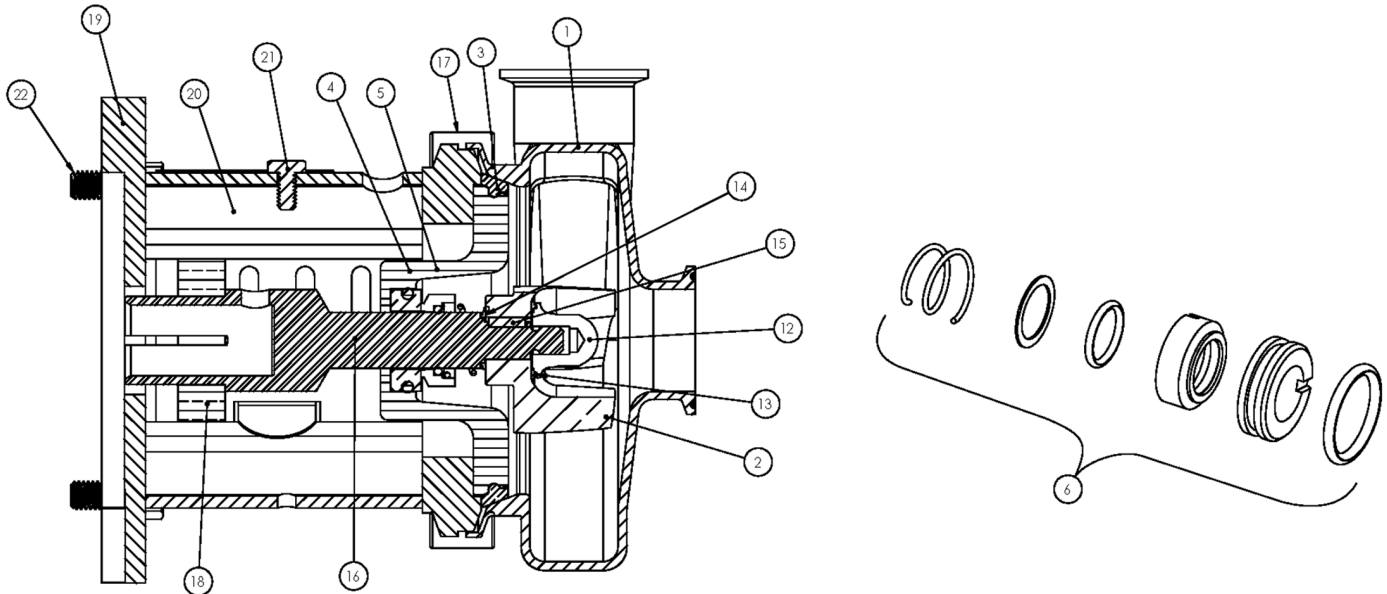
Ref #	Component Item No.	Description	Qty Per
1	S428M-01C-E	CASING,4X2,TRI-CLMP C428/C+428	1
	<i>S428T-01C-E</i>	<i>CASING,4X2,BVL SEAT C428/C+428</i>	1
	<i>S428MI-01C-E</i>	<i>CASING,4X2,CLMP GLASS BEAD C428/C+428</i>	1
	<i>S428S-01C-E</i>	<i>CASING,4X2,NPT C428/C+428</i>	1
	<i>S428F-01D-E</i>	<i>CASING,4X2,FLNGD C428/C+428</i>	1
2	S328-02CP-316L	IMPELLER,+328/+428 C+ IC+	1
3	S328-90A-U	GASKET,218/328,CASING,BUNA C C+	1
	<i>S328-90A-E</i>	<i>GASKET,218/328,CASING,EPDM C C+</i>	1
	<i>S328-90A-V</i>	<i>GASKET,218/328,CASING,VIT C C+</i>	1
4	328IC+11-316	BACKPLATE,218/328 IC+	1
6	GS8101350	KIT,218/328,SC/CA/VI CB+	1
11	SC1105A-SS	SCREW,SET,DRV COLLR,1/4-20X3/8 -SS	2
12	GX5516000	NUT,HEX,M14-2.0,18-8SS HEX NUT	4
	S328-91C-316L	NUT,+218/+328/+3218,IMP C+ DB	1
13	S328-25A-U	GASKET,218/328,IMP NUT,BUNA C C+	1
	<i>S328-25A-E</i>	<i>GASKET,218/328,IMP NUT,EPDM C C+</i>	1
	<i>S328-25A-V</i>	<i>GASKET,218/328,IMP NUT,VIT C C+</i>	1
14	S328-25B-U	GASKET,218/328,IMP,BACK,BUNA C C+	1
	<i>S328-25B-E</i>	<i>GASKET,218/328,IMP, BACK,EPDM C C+</i>	1
	<i>S328-25B-V</i>	<i>GASKET,218/328,IMP,BACK,VIT C C+</i>	1
15	S328-95C-316L	KEY,IMP,218/318/328 C+	1
16	C328E-112P-06	STUBSHAFT,100/112 IEC,METRIC C+218/328	1
17	S328-75AR-S	CLAMP,218/328,CASING C C+	1
18	SX18000814	COLLAR,100/112 IEC,SHAFT,MTRIC	1
19	328D112-71C-B5	ADAPTER,100/112 IEC B5 FRAME C218/C328/C+218/C+328	1
20	C328-21T-131-S	GUARD,SEAL,218/318/328/428,SS C C+ CB+ 210TC	1
22	GX5516145	CAPSCRW,HX,M14-2.0X55MM,18-8SS HX HD	4



Exploded View

Optional Items Shown in ITALICS

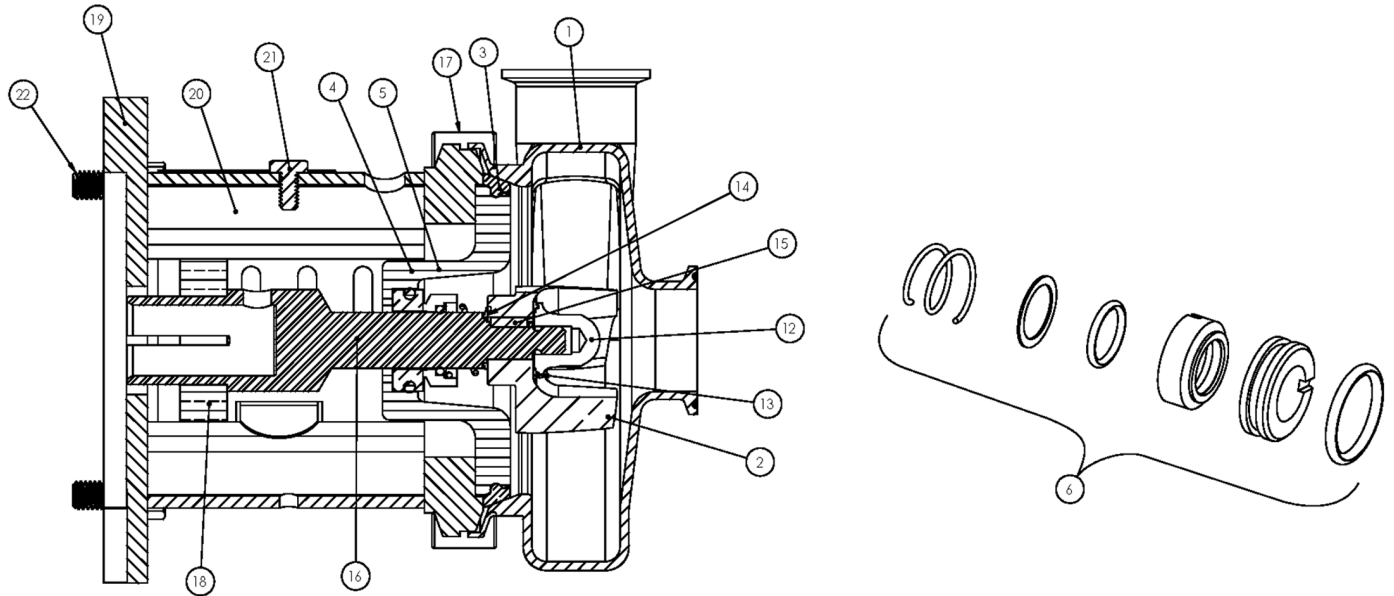
Ref #	Component Item No.	Description	Qty Per
37	<i>GX5516010</i>	<i>WASHER, LOCK, M14, 18-8SS</i>	<i>4</i>
38	<i>GX5516015</i>	<i>WASHER, FLAT, M14, 18-8SS</i>	<i>8</i>



Exploded View

Optional Items Shown in ITALICS

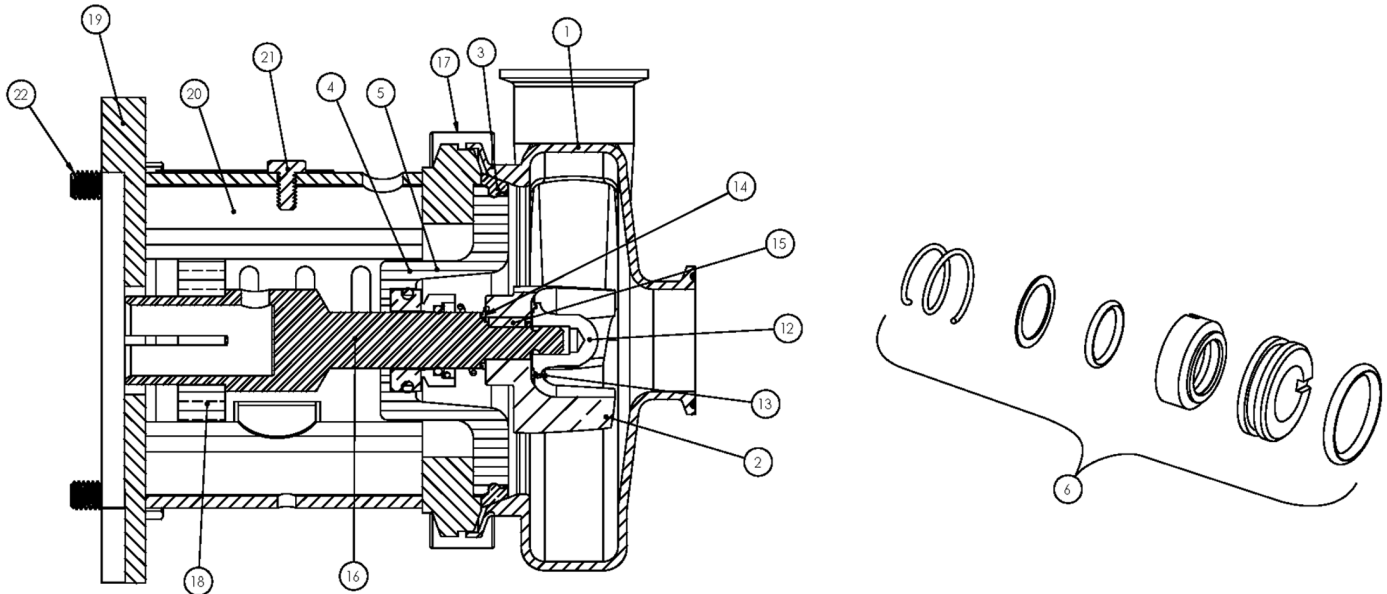
Ref #	Component Item No.	Description	Qty Per
1	S428M-01C-E	CASING,4X2,TRI-CLMP C428/C+428	1
	<i>S428T-01C-E</i>	<i>CASING,4X2,BVL SEAT C428/C+428</i>	1
	<i>S428MI-01C-E</i>	<i>CASING,4X2,CLMP GLASS BEAD C428/C+428</i>	1
	<i>S428S-01C-E</i>	<i>CASING,4X2,NPT C428/C+428</i>	1
	<i>S428F-01D-E</i>	<i>CASING,4X2,FLNGD C428/C+428</i>	1
2	S328-02CP-316L	IMPELLER,+328/+428 C+ IC+	1
3	S328-90A-U	GASKET,218/328,CASING,BUNA C C+	1
	<i>S328-90A-E</i>	<i>GASKET,218/328,CASING,EPDM C C+</i>	1
	<i>S328-90A-V</i>	<i>GASKET,218/328,CASING,VIT C C+</i>	1
4	328IC+11-316	BACKPLATE,218/328 IC+	1
6	GS8101350	KIT,218/328,SC/CA/VI CB+	1
11	SC1105A-SS	SCREW,SET,DRV COLLR,1/4-20X3/8 -SS	2
12	GX5516000	NUT,HEX,M14-2.0,18-8SS HEX NUT	4
	S328-91C-316L	NUT,+218/+328/+3218,IMP C+ DB	1
13	S328-25A-U	GASKET,218/328,IMP NUT,BUNA C C+	1
	<i>S328-25A-E</i>	<i>GASKET,218/328,IMP NUT,EPDM C C+</i>	1
	<i>S328-25A-V</i>	<i>GASKET,218/328,IMP NUT,VIT C C+</i>	1
14	S328-25B-U	GASKET,218/328,IMP,BACK,BUNA C C+	1
	<i>S328-25B-E</i>	<i>GASKET,218/328,IMP, BACK,EPDM C C+</i>	1
	<i>S328-25B-V</i>	<i>GASKET,218/328,IMP,BACK,VIT C C+</i>	1
15	S328-95C-316L	KEY,IMP,218/318/328 C+	1
16	C328E-132P-06	STUBSHAFT,132 IEC,METRIC C+218/328	1
17	S328-75AR-S	CLAMP,218/328,CASING C C+	1
18	SX18000815	COLLAR,132 IEC,SHAFT,MTRIC	1
19	328D132T-71C-B5	ADAPTER,132 IEC B5 FRAME,SS C218/C328/C+218/C+328	1
20	C328-21T-131-S	GUARD,SEAL,218/318/328/428,SS C C+ CB+ 210TC	1
22	GX5516150	CAPSCRW,HX,M14-2.0X60MM,18-8SS HX HD	4



Exploded View

Optional Items Shown in ITALICS

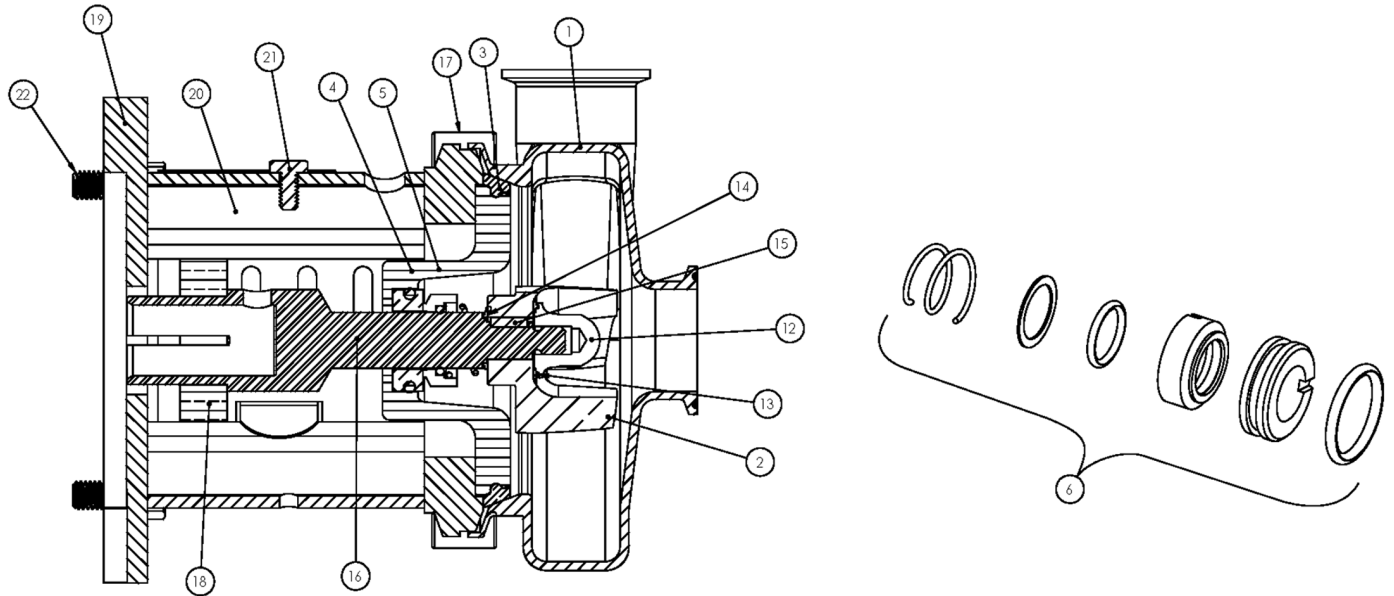
Ref #	Component Item No.	Description	Qty Per
37	GX5516010	WASHER, LOCK, M14, 18-8SS	4
38	GX5516015	WASHER, FLAT, M14, 18-8SS	8



Exploded View

Optional Items Shown in ITALICS

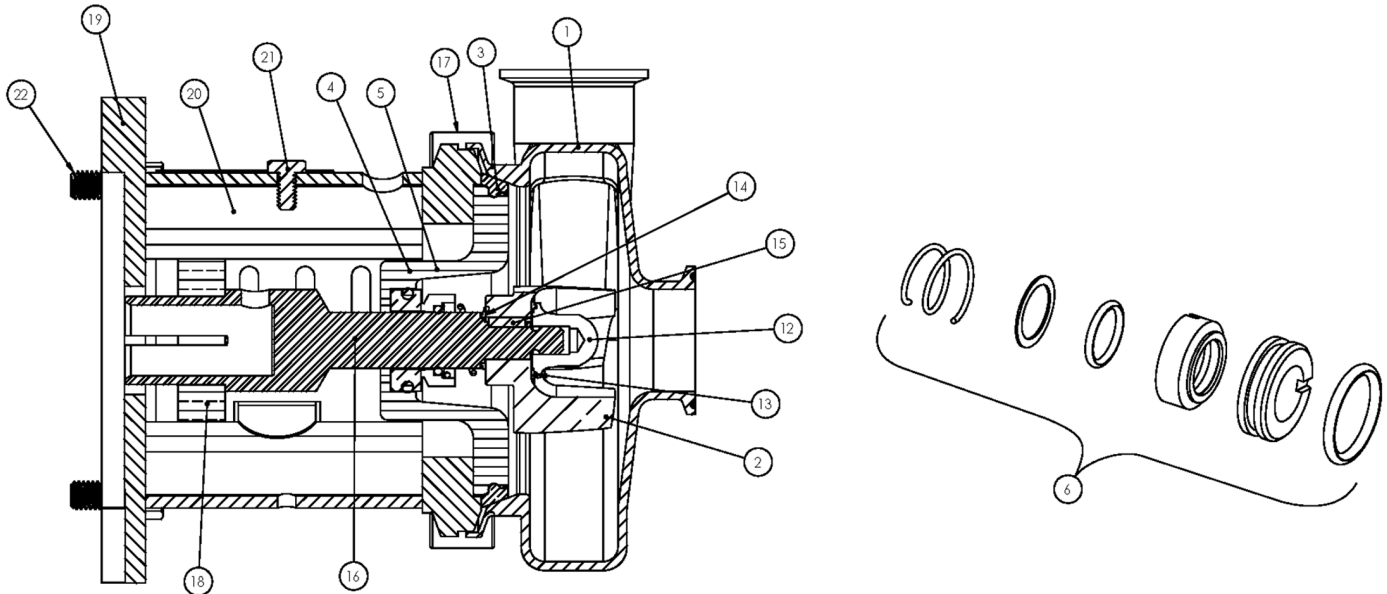
Ref #	Component Item No.	Description	Qty Per
1	S428M-01C-E	CASING,4X2,TRI-CLMP C428/C+428	1
	<i>S428T-01C-E</i>	<i>CASING,4X2,BVL SEAT C428/C+428</i>	1
	<i>S428MI-01C-E</i>	<i>CASING,4X2,CLMP GLASS BEAD C428/C+428</i>	1
	<i>S428S-01C-E</i>	<i>CASING,4X2,NPT C428/C+428</i>	1
	<i>S428F-01D-E</i>	<i>CASING,4X2,FLNGD C428/C+428</i>	1
2	S328-02CP-316L	IMPELLER,+328/+428 C+ IC+	1
3	S328-90A-U	GASKET,218/328,CASING,BUNA C C+	1
	<i>S328-90A-E</i>	<i>GASKET,218/328,CASING,EPDM C C+</i>	1
	<i>S328-90A-V</i>	<i>GASKET,218/328,CASING,VIT C C+</i>	1
4	328IC+11-316	BACKPLATE,218/328 IC+	1
6	GS8101350	KIT,218/328,SC/CA/VI CB+	1
11	SC1105A-SS	SCREW,SET,DRV COLLR,1/4-20X3/8 -SS	2
12	GX5518000	NUT,HEX,M18-2.5,18-8SS HEX NUT	4
	S328-91C-316L	NUT,+218/+328/+3218,IMP C+ DB	1
13	S328-25A-U	GASKET,218/328,IMP NUT,BUNA C C+	1
	<i>S328-25A-E</i>	<i>GASKET,218/328,IMP NUT,EPDM C C+</i>	1
	<i>S328-25A-V</i>	<i>GASKET,218/328,IMP NUT,VIT C C+</i>	1
14	S328-25B-U	GASKET,218/328,IMP,BACK,BUNA C C+	1
	<i>S328-25B-E</i>	<i>GASKET,218/328,IMP, BACK,EPDM C C+</i>	1
	<i>S328-25B-V</i>	<i>GASKET,218/328,IMP,BACK,VIT C C+</i>	1
15	S328-95C-316L	KEY,IMP,218/318/328 C+	1
16	C328E-160TP-06	STUBSHAFT,160 IEC,METRIC C+218/328	1
17	S328-75AR-S	CLAMP,218/328,CASING C C+	1
18	SX18000816	COLLAR,160,IEC,SHAFT,MTRIC	1
19	328D160T-71C-B5	ADAPTER,160 IEC B5 FRAME,SS C218/C328/C+218/C+328	1
20	C328-21T-131-S	GUARD,SEAL,218/318/328/428,SS C C+ CB+ 210TC	1
22	GX5518170	CAPSCRW,HX,M18-2.5X70MM,18-8SS HX HD	4



Exploded View

Optional Items Shown in ITALICS

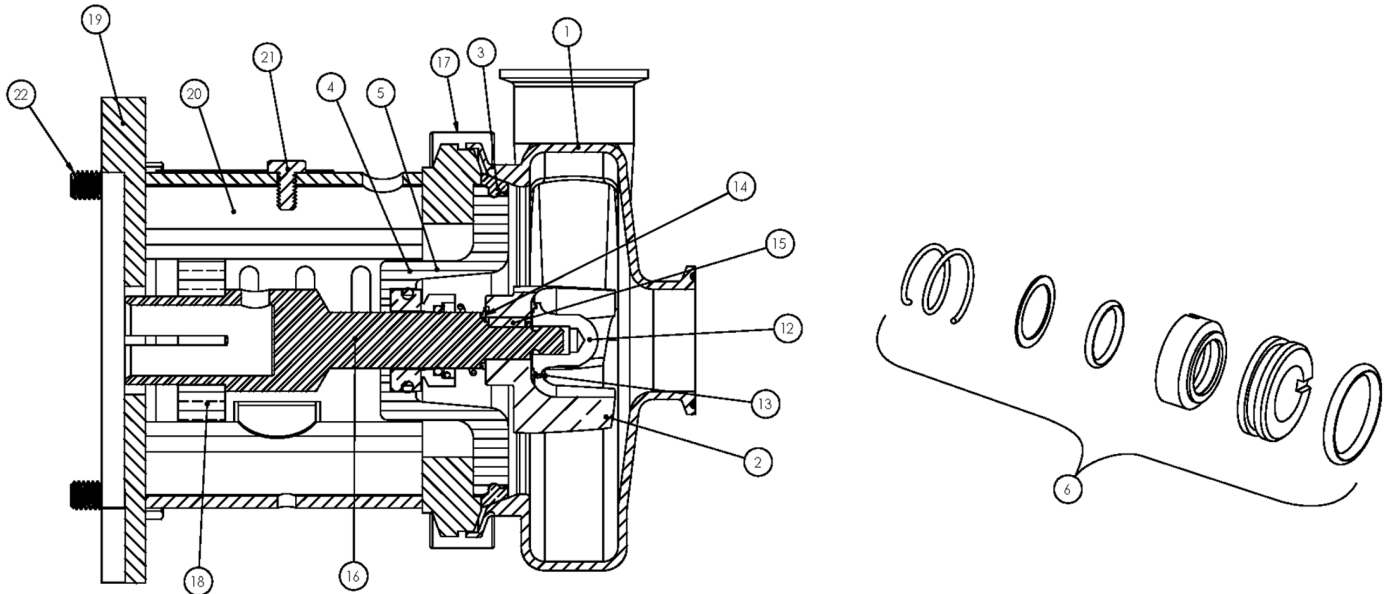
Ref #	Component Item No.	Description	Qty Per
37	GX5518010	WASHER, LOCK, M18, 18-8SS	4
38	GX5518015	WASHER, FLAT, M18, 18-8SS	8



Exploded View

Optional Items Shown in ITALICS

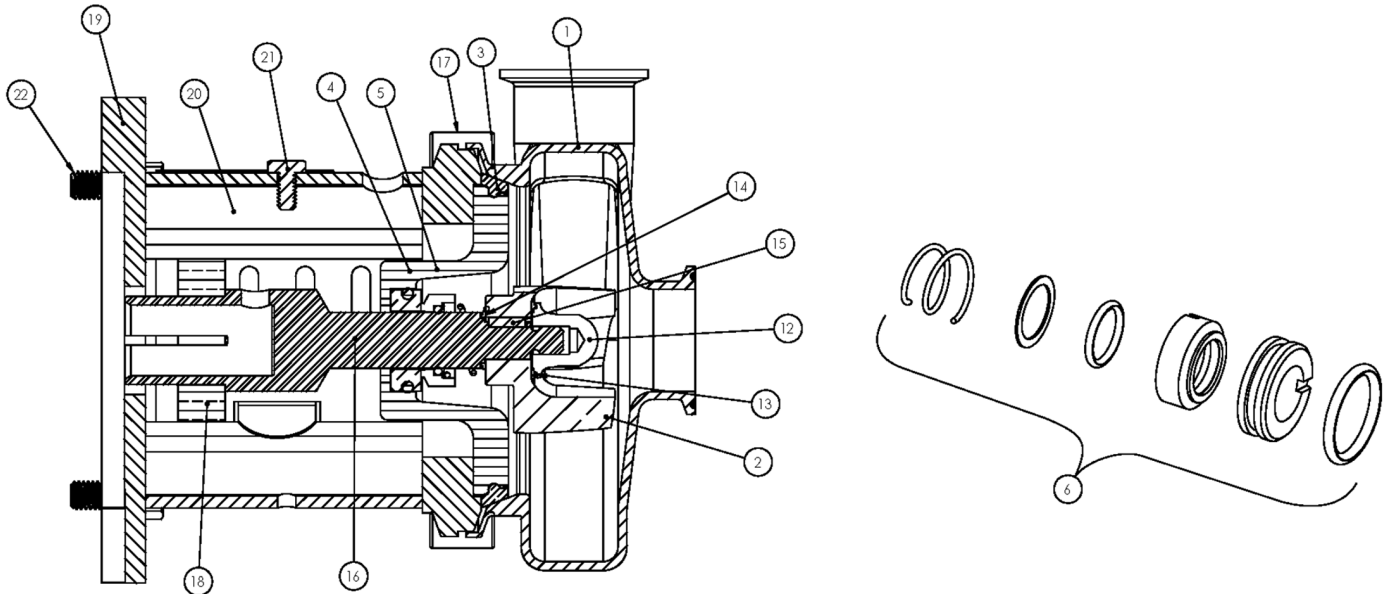
Ref #	Component Item No.	Description	Qty Per
1	SP4410M-01A-316	CASING,4X4,TRI-CLMP C4410/C+4410	1
	<i>SP4410T-01A-316</i>	<i>CASING,4X4,BVL SEAT C4410/C+4410</i>	1
	<i>SP4410MI-01A</i>	<i>CASING,4X4,CLMP GLASS BEAD C4410/C+4410</i>	1
	<i>SP4410S-01A-316</i>	<i>CASING,4X4,NPT C4410/C+4410</i>	1
	<i>SP4410F-01B-316</i>	<i>CASING,4X4,FLNGD C4410/C+4410</i>	1
2	S4410-02CP-316L	IMPELLER,+4410/+6410 C+ IC+	1
3	SP4410-90A-U	GASKET,4410,CASING,BUNA C C+	1
	<i>SP4410-90A-E</i>	<i>GASKET,4410,CASING,EPDM C C+</i>	1
	<i>SP4410-90A-V</i>	<i>GASKET,4410,CASING,VIT C C+</i>	1
4	4410IC+11-316	BACKPLATE,4410 IC+	1
5	SC1108D-M	SCREW,FLT HD,4410 BACKPLT C	2
	<i>SP5410-11A-1-S</i>	<i>RETAINER,BACKPLATE,56-280TSC LC</i>	2
6	GS8101450	KIT,4410,SC/CA/VI CB+	1
12	S4410-91C-316L	NUT,+4410/+6410/+4329,IMP C+ DB	1
13	S4410-25A-U	GASKET,4410,IMP NUT,BUNA C+	1
	<i>S4410-25A-E</i>	<i>GASKET,4410,IMP NUT,EPDM C+</i>	1
	<i>S4410-25A-V</i>	<i>GASKET,4410,IMP NUT,VIT C+</i>	1
14	S4410-25B-U	GASKET,4410,IMP,BACK,BUNA C+	1
	<i>S4410-25B-E</i>	<i>GASKET,4410,IMP,BACK,EPDM C+</i>	1
	<i>S4410-25B-V</i>	<i>GASKET,4410,IMP,BACK,VIT C+</i>	1
15	S4410-95C-316L	KEY,IMP,4410/6410 C+	1
16	4410E-21TP-06	STUBSHAFT,210TC C+4410	1
17	SP4410-75D-S	CLAMP,4410,CASING C C+	1
18	SX18000015	COLLAR,210TC,SHAFT LC	1
19	4410D25T-71-SS	ADAPTER,250TC FRAME,SS C4410/C+4410	1
20	C328-28T-131-S	GUARD,SEAL,218/328/428/4410,SS C C+	1
22	SC1710H-SS	CAPSCRW,HX,1/2-13X1,18-8SS HX HD	4



Exploded View

Optional Items Shown in ITALICS

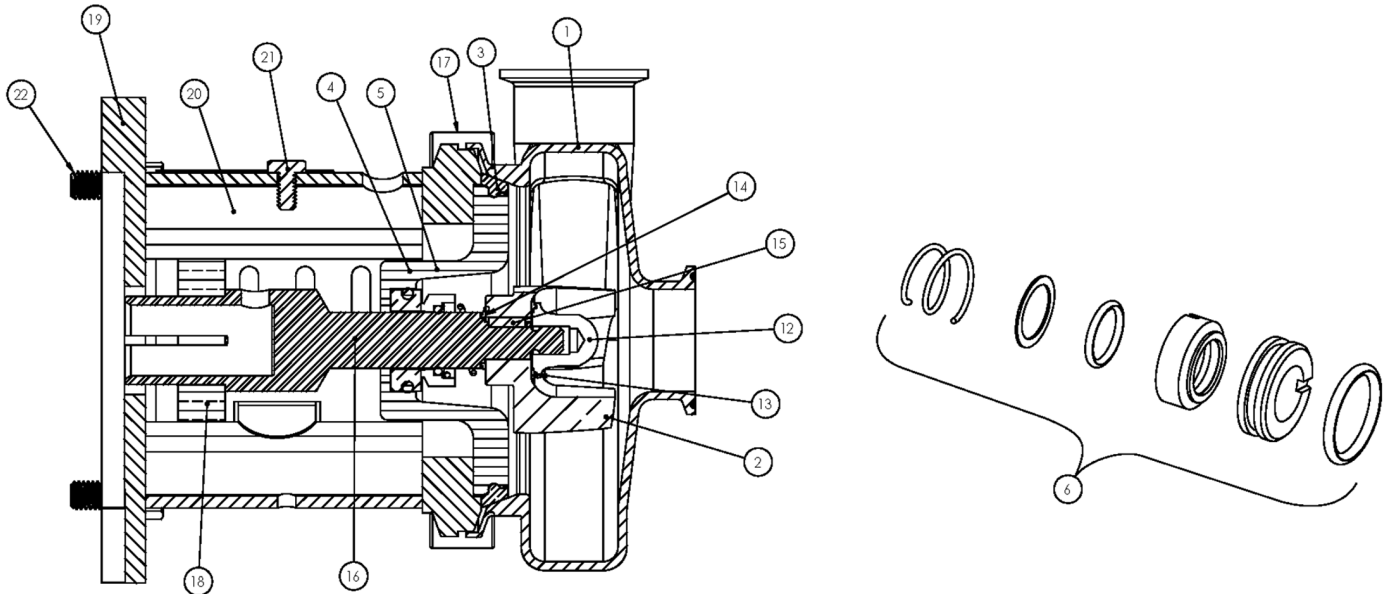
Ref #	Component Item No.	Description	Qty Per
1	SP4410M-01A-316	CASING,4X4,TRI-CLMP C4410/C+4410	1
	<i>SP4410T-01A-316</i>	<i>CASING,4X4,BVL SEAT C4410/C+4410</i>	1
	<i>SP4410MI-01A</i>	<i>CASING,4X4,CLMP GLASS BEAD C4410/C+4410</i>	1
	<i>SP4410S-01A-316</i>	<i>CASING,4X4,NPT C4410/C+4410</i>	1
	<i>SP4410F-01B-316</i>	<i>CASING,4X4,FLNGD C4410/C+4410</i>	1
2	S4410-02CP-316L	IMPELLER,+4410/+6410 C+ IC+	1
3	SP4410-90A-U	GASKET,4410,CASING,BUNA C C+	1
	<i>SP4410-90A-E</i>	<i>GASKET,4410,CASING,EPDM C C+</i>	1
	<i>SP4410-90A-V</i>	<i>GASKET,4410,CASING,VIT C C+</i>	1
4	4410IC+11-316	BACKPLATE,4410 IC+	1
5	SC1108D-M	SCREW,FLT HD,4410 BACKPLT C	2
	<i>SP5410-11A-1-S</i>	<i>RETAINER,BACKPLATE,56-280TSC LC</i>	2
6	GS8101450	KIT,4410,SC/CA/VI CB+	1
12	S4410-91C-316L	NUT,+4410/+6410/+4329,IMP C+ DB	1
13	S4410-25A-U	GASKET,4410,IMP NUT,BUNA C+	1
	<i>S4410-25A-E</i>	<i>GASKET,4410,IMP NUT,EPDM C+</i>	1
	<i>S4410-25A-V</i>	<i>GASKET,4410,IMP NUT,VIT C+</i>	1
14	S4410-25B-U	GASKET,4410,IMP,BACK,BUNA C+	1
	<i>S4410-25B-E</i>	<i>GASKET,4410,IMP,BACK,EPDM C+</i>	1
	<i>S4410-25B-V</i>	<i>GASKET,4410,IMP,BACK,VIT C+</i>	1
15	S4410-95C-316L	KEY,IMP,4410/6410 C+	1
16	4410E-25TP-06	STUBSHAFT,250TC C+4410	1
17	SP4410-75D-S	CLAMP,4410,CASING C C+	1
18	SX18000016	COLLAR,250TC/280TSC,SHAFT LC	1
19	4410D25T-71-SS	ADAPTER,250TC FRAME,SS C4410/C+4410	1
20	C328-28T-131-S	GUARD,SEAL,218/328/428/4410,SS C C+	1
22	SC1710H-SS	CAPSCRW,HX,1/2-13X1,18-8SS HX HD	4



Exploded View

Optional Items Shown in ITALICS

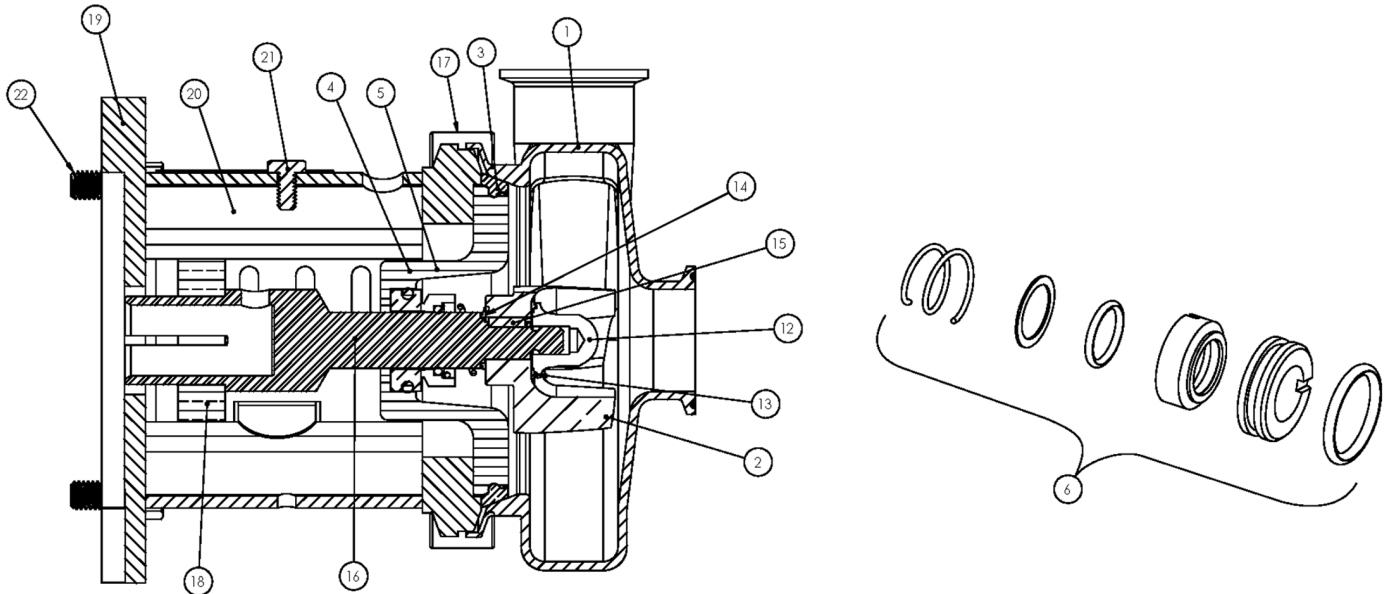
Ref #	Component Item No.	Description	Qty Per
1	SP4410M-01A-316	CASING,4X4,TRI-CLMP C4410/C+4410	1
	<i>SP4410T-01A-316</i>	<i>CASING,4X4,BVL SEAT C4410/C+4410</i>	1
	<i>SP4410MI-01A</i>	<i>CASING,4X4,CLMP GLASS BEAD C4410/C+4410</i>	1
	<i>SP4410S-01A-316</i>	<i>CASING,4X4,NPT C4410/C+4410</i>	1
	<i>SP4410F-01B-316</i>	<i>CASING,4X4,FLNGD C4410/C+4410</i>	1
2	S4410-02CP-316L	IMPELLER,+4410/+6410 C+ IC+	1
3	SP4410-90A-U	GASKET,4410,CASING,BUNA C C+	1
	<i>SP4410-90A-E</i>	<i>GASKET,4410,CASING,EPDM C C+</i>	1
	<i>SP4410-90A-V</i>	<i>GASKET,4410,CASING,VIT C C+</i>	1
4	4410IC+11-316	BACKPLATE,4410 IC+	1
5	SC1108D-M	SCREW,FLT HD,4410 BACKPLT C	2
	<i>SP5410-11A-1-S</i>	<i>RETAINER,BACKPLATE,56-280TSC LC</i>	2
6	GS8101450	KIT,4410,SC/CA/VI CB+	1
12	S4410-91C-316L	NUT,+4410/+6410/+4329,IMP C+ DB	1
13	S4410-25A-U	GASKET,4410,IMP NUT,BUNA C+	1
	<i>S4410-25A-E</i>	<i>GASKET,4410,IMP NUT,EPDM C+</i>	1
	<i>S4410-25A-V</i>	<i>GASKET,4410,IMP NUT,VIT C+</i>	1
14	S4410-25B-U	GASKET,4410,IMP,BACK,BUNA C+	1
	<i>S4410-25B-E</i>	<i>GASKET,4410,IMP,BACK,EPDM C+</i>	1
	<i>S4410-25B-V</i>	<i>GASKET,4410,IMP,BACK,VIT C+</i>	1
15	S4410-95C-316L	KEY,IMP,4410/6410 C+	1
16	4410E-28TCP-06	STUBSHAFT,280TC C+4410	1
17	SP4410-75D-S	CLAMP,4410,CASING C C+	1
18	SX18000027	COLLAR,280TC/320TSC,SHAFT LC	1
19	4410D28T-71-SS	ADAPTER,280TC/TSC FRAME,SS C4410/C+4410	1
20	C328-28T-131-S	GUARD,SEAL,218/328/428/4410,SS C C+	1
22	SC1710H-SS	CAPSCRW,HX,1/2-13X1,18-8SS HX HD	4



Exploded View

Optional Items Shown in ITALICS

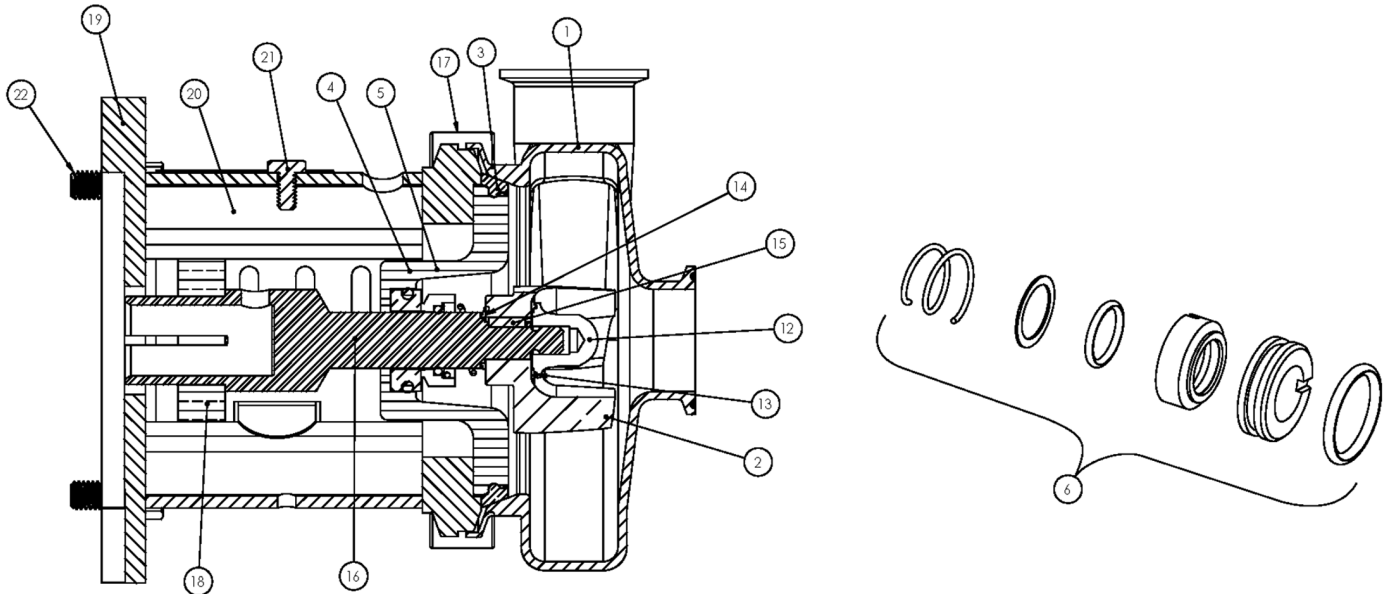
Ref #	Component Item No.	Description	Qty Per
1	SP4410M-01A-316	CASING,4X4,TRI-CLMP C4410/C+4410	1
	<i>SP4410T-01A-316</i>	<i>CASING,4X4,BVL SEAT C4410/C+4410</i>	1
	<i>SP4410MI-01A</i>	<i>CASING,4X4,CLMP GLASS BEAD C4410/C+4410</i>	1
	<i>SP4410S-01A-316</i>	<i>CASING,4X4,NPT C4410/C+4410</i>	1
	<i>SP4410F-01B-316</i>	<i>CASING,4X4,FLNGD C4410/C+4410</i>	1
2	S4410-02CP-316L	IMPELLER,+4410/+6410 C+ IC+	1
3	SP4410-90A-U	GASKET,4410,CASING,BUNA C C+	1
	<i>SP4410-90A-E</i>	<i>GASKET,4410,CASING,EPDM C C+</i>	1
	<i>SP4410-90A-V</i>	<i>GASKET,4410,CASING,VIT C C+</i>	1
4	4410IC+11-316	BACKPLATE,4410 IC+	1
5	SC1108D-M	SCREW,FLT HD,4410 BACKPLT C	2
	<i>SP5410-11A-1-S</i>	<i>RETAINER,BACKPLATE,56-280TSC LC</i>	2
6	GS8101450	KIT,4410,SC/CA/VI CB+	1
12	S4410-91C-316L	NUT,+4410/+6410/+4329,IMP C+ DB	1
13	S4410-25A-U	GASKET,4410,IMP NUT,BUNA C+	1
	<i>S4410-25A-E</i>	<i>GASKET,4410,IMP NUT,EPDM C+</i>	1
	<i>S4410-25A-V</i>	<i>GASKET,4410,IMP NUT,VIT C+</i>	1
14	S4410-25B-U	GASKET,4410,IMP,BACK,BUNA C+	1
	<i>S4410-25B-E</i>	<i>GASKET,4410,IMP,BACK,EPDM C+</i>	1
	<i>S4410-25B-V</i>	<i>GASKET,4410,IMP,BACK,VIT C+</i>	1
15	S4410-95C-316L	KEY,IMP,4410/6410 C+	1
16	4410E-28TSCP-06	STUBSHAFT,280TSC C+4410	1
17	SP4410-75D-S	CLAMP,4410,CASING C C+	1
18	SX18000035	COLLAR,250TC/280TSC,SHAFT LC	1
19	4410D28T-71-SS	ADAPTER,280TC/TSC FRAME,SS C4410/C+4410	1
20	C328-28T-131-S	GUARD,SEAL,218/328/428/4410,SS C C+	1
22	SC1710H-SS	CAPSCRW,HX,1/2-13X1,18-8SS HX HD	4



Exploded View

Optional Items Shown in ITALICS

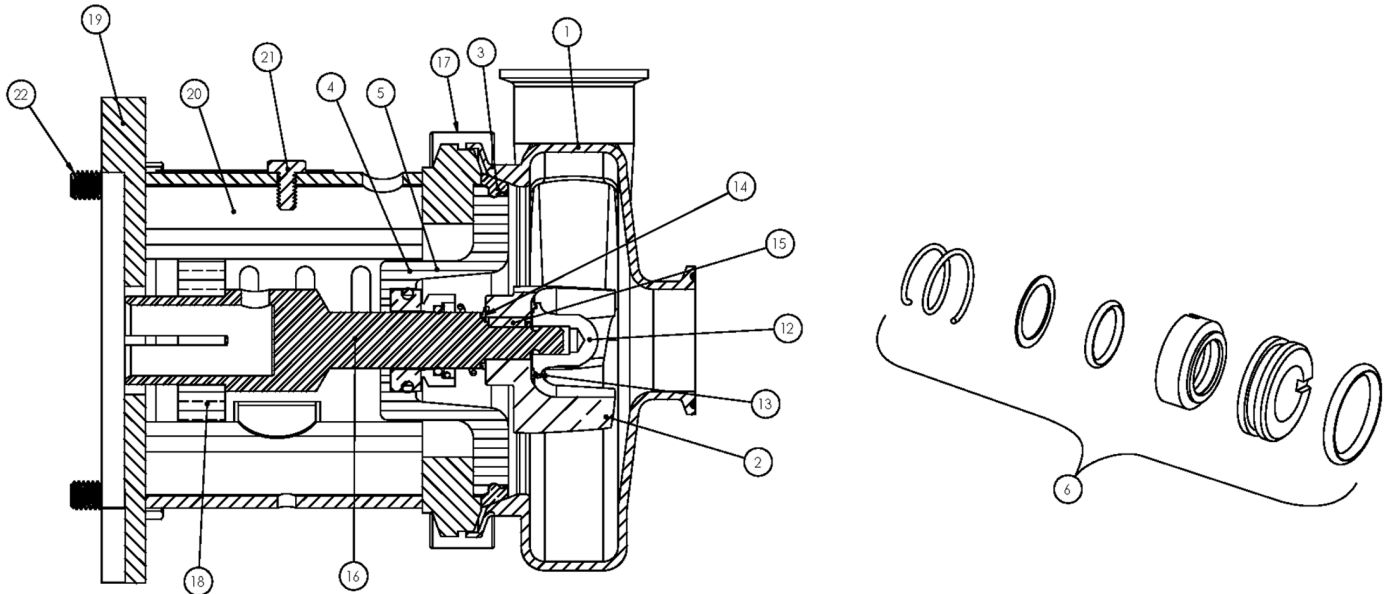
Ref #	Component Item No.	Description	Qty Per
1	SP4410M-01A-316	CASING,4X4,TRI-CLMP C4410/C+4410	1
	<i>SP4410T-01A-316</i>	<i>CASING,4X4,BVL SEAT C4410/C+4410</i>	1
	<i>SP4410MI-01A</i>	<i>CASING,4X4,CLMP GLASS BEAD C4410/C+4410</i>	1
	<i>SP4410S-01A-316</i>	<i>CASING,4X4,NPT C4410/C+4410</i>	1
	<i>SP4410F-01B-316</i>	<i>CASING,4X4,FLNGD C4410/C+4410</i>	1
2	S4410-02CP-316L	IMPELLER,+4410/+6410 C+ IC+	1
3	SP4410-90A-U	GASKET,4410,CASING,BUNA C C+	1
	<i>SP4410-90A-E</i>	<i>GASKET,4410,CASING,EPDM C C+</i>	1
	<i>SP4410-90A-V</i>	<i>GASKET,4410,CASING,VIT C C+</i>	1
4	4410IC+11-316	BACKPLATE,4410 IC+	1
5	SC1108D-M	SCREW,FLT HD,4410 BACKPLT C	2
	<i>SP5410-11A-1-S</i>	<i>RETAINER,BACKPLATE,56-280TSC LC</i>	2
6	GS8101450	KIT,4410,SC/CA/VI CB+	1
12	S4410-91C-316L	NUT,+4410/+6410/+4329,IMP C+ DB	1
13	S4410-25A-U	GASKET,4410,IMP NUT,BUNA C+	1
	<i>S4410-25A-E</i>	<i>GASKET,4410,IMP NUT,EPDM C+</i>	1
	<i>S4410-25A-V</i>	<i>GASKET,4410,IMP NUT,VIT C+</i>	1
14	S4410-25B-U	GASKET,4410,IMP,BACK,BUNA C+	1
	<i>S4410-25B-E</i>	<i>GASKET,4410,IMP,BACK,EPDM C+</i>	1
	<i>S4410-25B-V</i>	<i>GASKET,4410,IMP,BACK,VIT C+</i>	1
15	S4410-95C-316L	KEY,IMP,4410/6410 C+	1
16	4410E-32TSCP-06	STUBSHAFT,320TSC C+4410	1
17	SP4410-75D-S	CLAMP,4410,CASING C C+	1
18	SX18000027	COLLAR,280TC/320TSC,SHAFT LC	1
19	4410D32T-71-SS	ADAPTER,320TC/TSC FRAME,SS C4410/C+4410	1
20	4410D32T-131A-S	GUARD,SEAL,4410/6410,SS C C+ IC+ 320TC/TSC	1
22	GX5076700	CAPSCRW,HX,5/8-11X1-1/2,18-8SS HX HD	4



Exploded View

Optional Items Shown in ITALICS

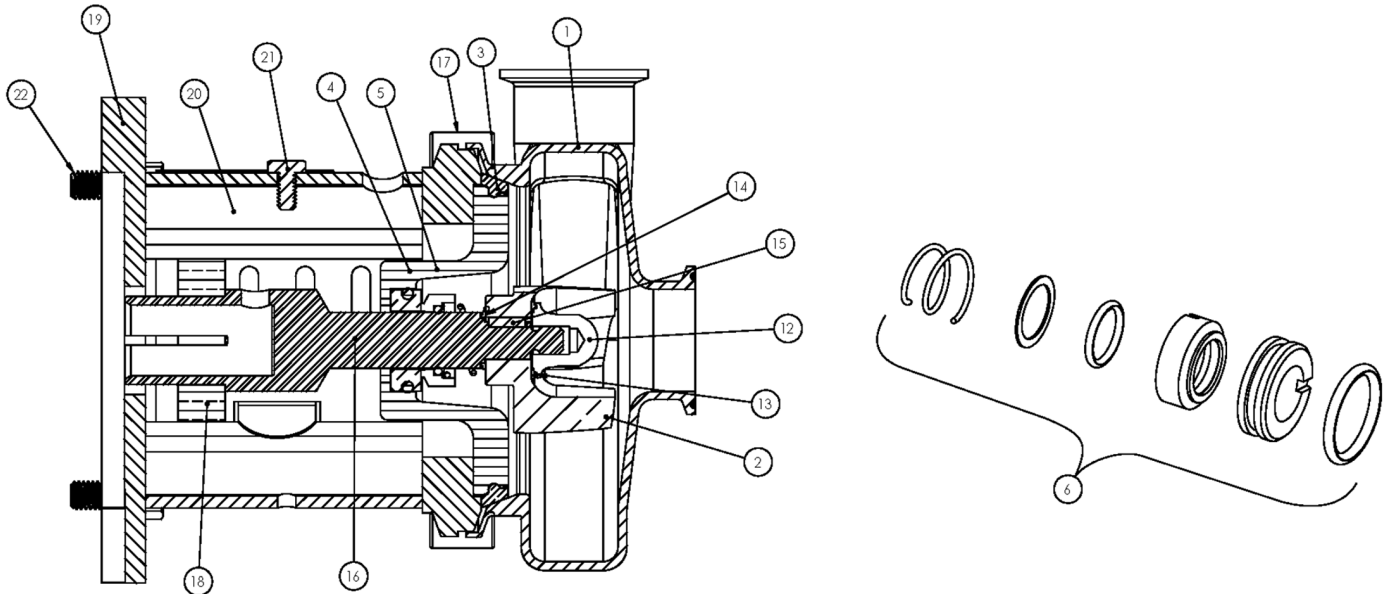
Ref #	Component Item No.	Description	Qty Per
1	SP6410M-01C-E	CASING,6X4,CLMP C6410/C+6410	1
	<i>SP6410S-01A-E</i>	<i>CASING,6X4,NPT C6410/C+6410</i>	1
	<i>SP6410F-01C-E</i>	<i>CASING,6X4,FLNGD C6410/C+6410</i>	1
2	S4410-02CP-316L	IMPELLER,+4410/+6410 C+ IC+	1
3	SP4410-90A-U	GASKET,4410,CASING,BUNA C C+	1
	<i>SP4410-90A-E</i>	<i>GASKET,4410,CASING,EPDM C C+</i>	1
	<i>SP4410-90A-V</i>	<i>GASKET,4410,CASING,VIT C C+</i>	1
4	4410IC+11-316	BACKPLATE,4410 IC+	1
5	SC1108D-M	SCREW,FLT HD,4410 BACKPLT C	2
	SP5410-11A-1-S	RETAINER,BACKPLATE,56-280TSC LC	2
6	GS8101450	KIT,4410,SC/CA/VI CB+	1
12	S4410-91C-316L	NUT,+4410/+6410/+4329,IMP C+ DB	1
13	S4410-25A-U	GASKET,4410,IMP NUT,BUNA C+	1
	<i>S4410-25A-E</i>	<i>GASKET,4410,IMP NUT,EPDM C+</i>	1
	<i>S4410-25A-V</i>	<i>GASKET,4410,IMP NUT,VIT C+</i>	1
14	S4410-25B-U	GASKET,4410,IMP,BACK,BUNA C+	1
	<i>S4410-25B-E</i>	<i>GASKET,4410,IMP,BACK,EPDM C+</i>	1
	<i>S4410-25B-V</i>	<i>GASKET,4410,IMP,BACK,VIT C+</i>	1
15	S4410-95C-316L	KEY,IMP,4410/6410 C+	1
16	4410E-21TP-06	STUBSHAFT,210TC C+4410	1
17	SP4410-75D-S	CLAMP,4410,CASING C C+	1
18	SX18000015	COLLAR,210TC,SHAFT LC	1
19	4410D25T-71-SS	ADAPTER,250TC FRAME,SS C4410/C+4410	1
20	C328-28T-131-S	GUARD,SEAL,218/328/428/4410,SS C C+	1
22	SC1710H-SS	CAPSCRW,HX,1/2-13X1,18-8SS HX HD	4



Exploded View

Optional Items Shown in ITALICS

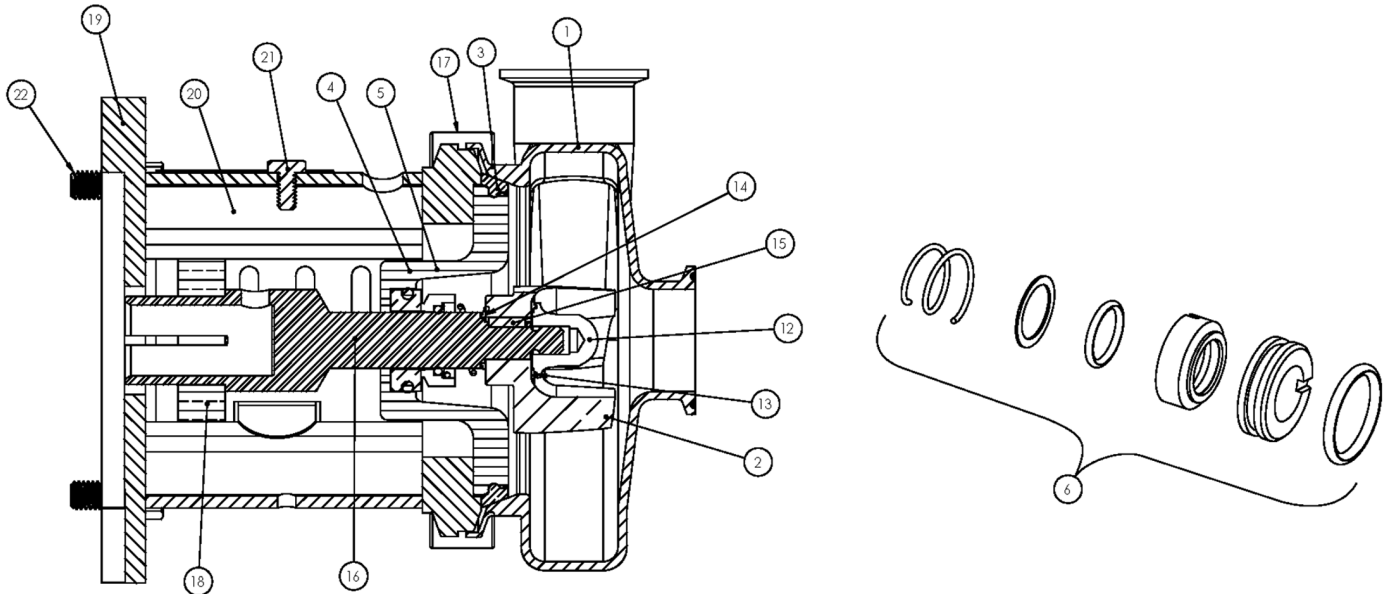
Ref #	Component Item No.	Description	Qty Per
1	SP6410M-01C-E	CASING,6X4,CLMP C6410/C+6410	1
	SP6410S-01A-E	CASING,6X4,NPT C6410/C+6410	1
	SP6410F-01C-E	CASING,6X4,FLNGD C6410/C+6410	1
2	S4410-02CP-316L	IMPELLER,+4410/+6410 C+ IC+	1
3	SP4410-90A-U	GASKET,4410,CASING,BUNA C C+	1
	SP4410-90A-E	GASKET,4410,CASING,EPDM C C+	1
	SP4410-90A-V	GASKET,4410,CASING,VIT C C+	1
4	4410IC+11-316	BACKPLATE,4410 IC+	1
5	SC1108D-M	SCREW,FLT HD,4410 BACKPLT C	2
	SP5410-11A-1-S	RETAINER,BACKPLATE,56-280TSC LC	2
6	GS8101450	KIT,4410,SC/CA/VI CB+	1
12	S4410-91C-316L	NUT,+4410/+6410/+4329,IMP C+ DB	1
13	S4410-25A-U	GASKET,4410,IMP NUT,BUNA C+	1
	S4410-25A-E	GASKET,4410,IMP NUT,EPDM C+	1
	S4410-25A-V	GASKET,4410,IMP NUT,VIT C+	1
14	S4410-25B-U	GASKET,4410,IMP,BACK,BUNA C+	1
	S4410-25B-E	GASKET,4410,IMP,BACK,EPDM C+	1
	S4410-25B-V	GASKET,4410,IMP,BACK,VIT C+	1
15	S4410-95C-316L	KEY,IMP,4410/6410 C+	1
16	4410E-25TP-06	STUBSHAFT,250TC C+4410	1
17	SP4410-75D-S	CLAMP,4410,CASING C C+	1
18	SX18000016	COLLAR,250TC/280TSC,SHAFT LC	1
19	4410D25T-71-SS	ADAPTER,250TC FRAME,SS C4410/C+4410	1
20	C328-28T-131-S	GUARD,SEAL,218/328/428/4410,SS C C+	1
22	SC1710H-SS	CAPSCRW,HX,1/2-13X1,18-8SS HX HD	4



Exploded View

Optional Items Shown in ITALICS

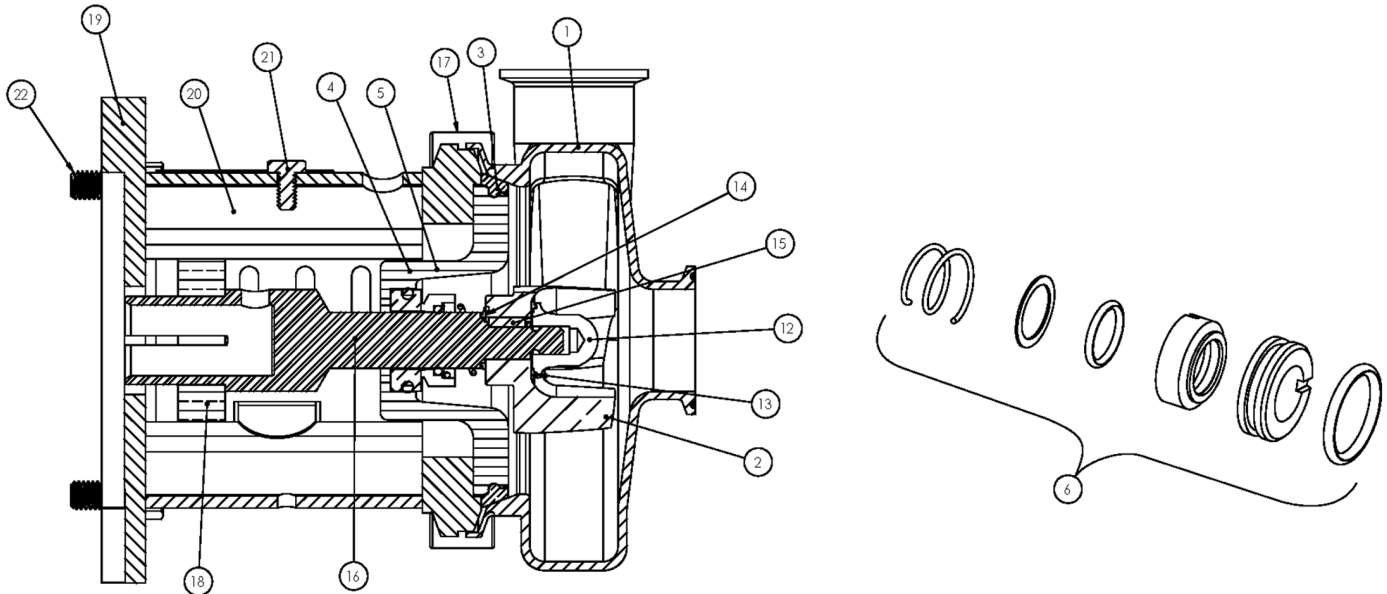
Ref #	Component Item No.	Description	Qty Per
1	SP6410M-01C-E	CASING,6X4,CLMP C6410/C+6410	1
	SP6410S-01A-E	CASING,6X4,NPT C6410/C+6410	1
	SP6410F-01C-E	CASING,6X4,FLNGD C6410/C+6410	1
2	S4410-02CP-316L	IMPELLER,+4410/+6410 C+ IC+	1
3	SP4410-90A-U	GASKET,4410,CASING,BUNA C C+	1
	SP4410-90A-E	GASKET,4410,CASING,EPDM C C+	1
	SP4410-90A-V	GASKET,4410,CASING,VIT C C+	1
4	4410IC+11-316	BACKPLATE,4410 IC+	1
5	SC1108D-M	SCREW,FLT HD,4410 BACKPLT C	2
	SP5410-11A-1-S	RETAINER,BACKPLATE,56-280TSC LC	2
6	GS8101450	KIT,4410,SC/CA/VI CB+	1
12	S4410-91C-316L	NUT,+4410/+6410/+4329,IMP C+ DB	1
13	S4410-25A-U	GASKET,4410,IMP NUT,BUNA C+	1
	S4410-25A-E	GASKET,4410,IMP NUT,EPDM C+	1
	S4410-25A-V	GASKET,4410,IMP NUT,VIT C+	1
14	S4410-25B-U	GASKET,4410,IMP,BACK,BUNA C+	1
	S4410-25B-E	GASKET,4410,IMP,BACK,EPDM C+	1
	S4410-25B-V	GASKET,4410,IMP,BACK,VIT C+	1
15	S4410-95C-316L	KEY,IMP,4410/6410 C+	1
16	4410E-28TCP-06	STUBSHAFT,280TC C+4410	1
17	SP4410-75D-S	CLAMP,4410,CASING C C+	1
18	SX18000027	COLLAR,280TC/320TSC,SHAFT LC	1
19	4410D28T-71-SS	ADAPTER,280TC/TSC FRAME,SS C4410/C+4410	1
20	C328-28T-131-S	GUARD,SEAL,218/328/428/4410,SS C C+	1
22	SC1710H-SS	CAPSCRW,HX,1/2-13X1,18-8SS HX HD	4



Exploded View

Optional Items Shown in ITALICS

Ref #	Component Item No.	Description	Qty Per
1	SP6410M-01C-E	CASING,6X4,CLMP C6410/C+6410	1
	<i>SP6410S-01A-E</i>	<i>CASING,6X4,NPT C6410/C+6410</i>	1
	<i>SP6410F-01C-E</i>	<i>CASING,6X4,FLNGD C6410/C+6410</i>	1
2	S4410-02CP-316L	IMPELLER,+4410/+6410 C+ IC+	1
3	SP4410-90A-U	GASKET,4410,CASING,BUNA C C+	1
	<i>SP4410-90A-E</i>	<i>GASKET,4410,CASING,EPDM C C+</i>	1
	<i>SP4410-90A-V</i>	<i>GASKET,4410,CASING,VIT C C+</i>	1
4	4410IC+11-316	BACKPLATE,4410 IC+	1
5	SC1108D-M	SCREW,FLT HD,4410 BACKPLT C	2
	SP5410-11A-1-S	RETAINER,BACKPLATE,56-280TSC LC	2
6	GS8101450	KIT,4410,SC/CA/VI CB+	1
12	S4410-91C-316L	NUT,+4410/+6410/+4329,IMP C+ DB	1
13	S4410-25A-U	GASKET,4410,IMP NUT,BUNA C+	1
	<i>S4410-25A-E</i>	<i>GASKET,4410,IMP NUT,EPDM C+</i>	1
	<i>S4410-25A-V</i>	<i>GASKET,4410,IMP NUT,VIT C+</i>	1
14	S4410-25B-U	GASKET,4410,IMP,BACK,BUNA C+	1
	<i>S4410-25B-E</i>	<i>GASKET,4410,IMP,BACK,EPDM C+</i>	1
	<i>S4410-25B-V</i>	<i>GASKET,4410,IMP,BACK,VIT C+</i>	1
15	S4410-95C-316L	KEY,IMP,4410/6410 C+	1
16	4410E-28TSCP-06	STUBSHAFT,280TSC C+4410	1
17	SP4410-75D-S	CLAMP,4410,CASING C C+	1
18	SX18000035	COLLAR,250TC/280TSC,SHAFT LC	1
19	4410D28T-71-SS	ADAPTER,280TC/TSC FRAME,SS C4410/C+4410	1
20	C328-28T-131-S	GUARD,SEAL,218/328/428/4410,SS C C+	1
22	SC1710H-SS	CAPSCRW,HX,1/2-13X1,18-8SS HX HD	4



Exploded View

Optional Items Shown in ITALICS

Ref #	Component Item No.	Description	Qty Per
1	SP6410M-01C-E	CASING,6X4,CLMP C6410/C+6410	1
	SP6410S-01A-E	CASING,6X4,NPT C6410/C+6410	1
	SP6410F-01C-E	CASING,6X4,FLNGD C6410/C+6410	1
2	S4410-02CP-316L	IMPELLER,+4410/+6410 C+ IC+	1
3	SP4410-90A-U	GASKET,4410,CASING,BUNA C C+	1
	SP4410-90A-E	GASKET,4410,CASING,EPDM C C+	1
	SP4410-90A-V	GASKET,4410,CASING,VIT C C+	1
4	4410IC+11-316	BACKPLATE,4410 IC+	1
5	SC1108D-M	SCREW,FLT HD,4410 BACKPLT C	2
	SP5410-11A-1-S	RETAINER,BACKPLATE,56-280TSC LC	2
6	GS8101450	KIT,4410,SC/CA/VI CB+	1
12	S4410-91C-316L	NUT,+4410/+6410/+4329,IMP C+ DB	1
13	S4410-25A-U	GASKET,4410,IMP NUT,BUNA C+	1
	S4410-25A-E	GASKET,4410,IMP NUT,EPDM C+	1
	S4410-25A-V	GASKET,4410,IMP NUT,VIT C+	1
14	S4410-25B-U	GASKET,4410,IMP,BACK,BUNA C+	1
	S4410-25B-E	GASKET,4410,IMP,BACK,EPDM C+	1
	S4410-25B-V	GASKET,4410,IMP,BACK,VIT C+	1
15	S4410-95C-316L	KEY,IMP,4410/6410 C+	1
16	4410E-32TSCP-06	STUBSHAFT,320TSC C+4410	1
17	SP4410-75D-S	CLAMP,4410,CASING C C+	1
18	SX18000027	COLLAR,280TC/320TSC,SHAFT LC	1
19	4410D32T-71-SS	ADAPTER,320TC/TSC FRAME,SS C4410/C+4410	1
20	4410D32T-131A-S	GUARD,SEAL,4410/6410,SS C C+ IC+ 320TC/TSC	1
22	GX5076700	CAPSCRW,HX,5/8-11X1-1/2,18-8SS HX HD	4