

## ELECTRONIC PRICING CATALOG NAVIGATION INSTRUCTIONS



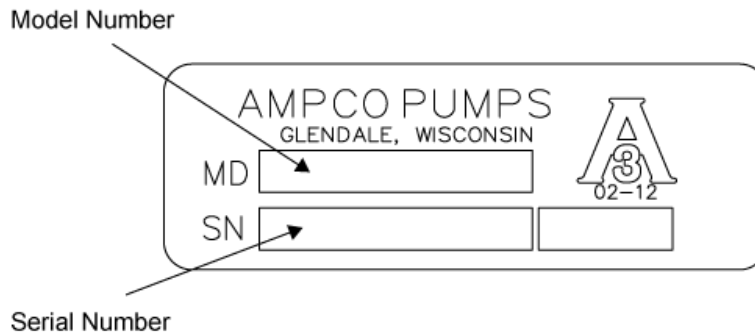
Questions? Call **1-800-810-1053**

### Select by Pump Model:

If you know what pump you are looking for, you can use the 'Bookmarks' tab on the left and select the pump model which you are trying to access. Clicking in the Bookmark will take you to the page you are looking for.

If there are no tabs on the left (bookmarks, signatures, layers, pages), you can use the top menu to make them appear. Goto VIEW > SHOW/HIDE > NAVIGATION PANES > BOOKMARKS and they will appear.

**Sample Pump ID Tag:** See the illustration below for help identifying the location of the Model number and Serial number on the pump ID tag.



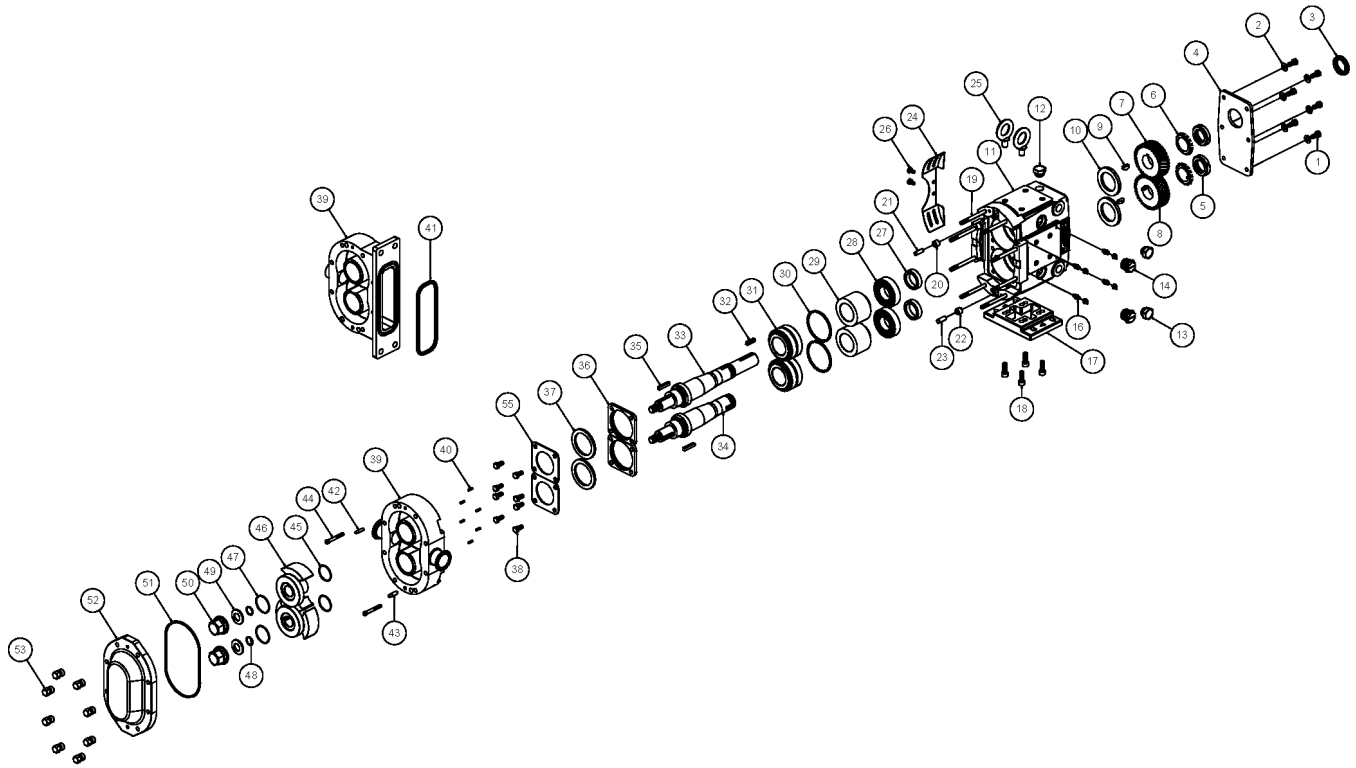
*Please reference your serial number when ordering replacement parts.*

### Select by Part Number:

If you know an exact part number you are looking for, simply hit CONTROL+F and that will bring up the find feature. You may also use the menu, goto EDIT > FIND to bring up the same feature.

Type in your part number and it will show you all instances of that item in the catalog. If you only know some of the part number (i.e. SP328), that will also help and show all occurrences of those numbers together.

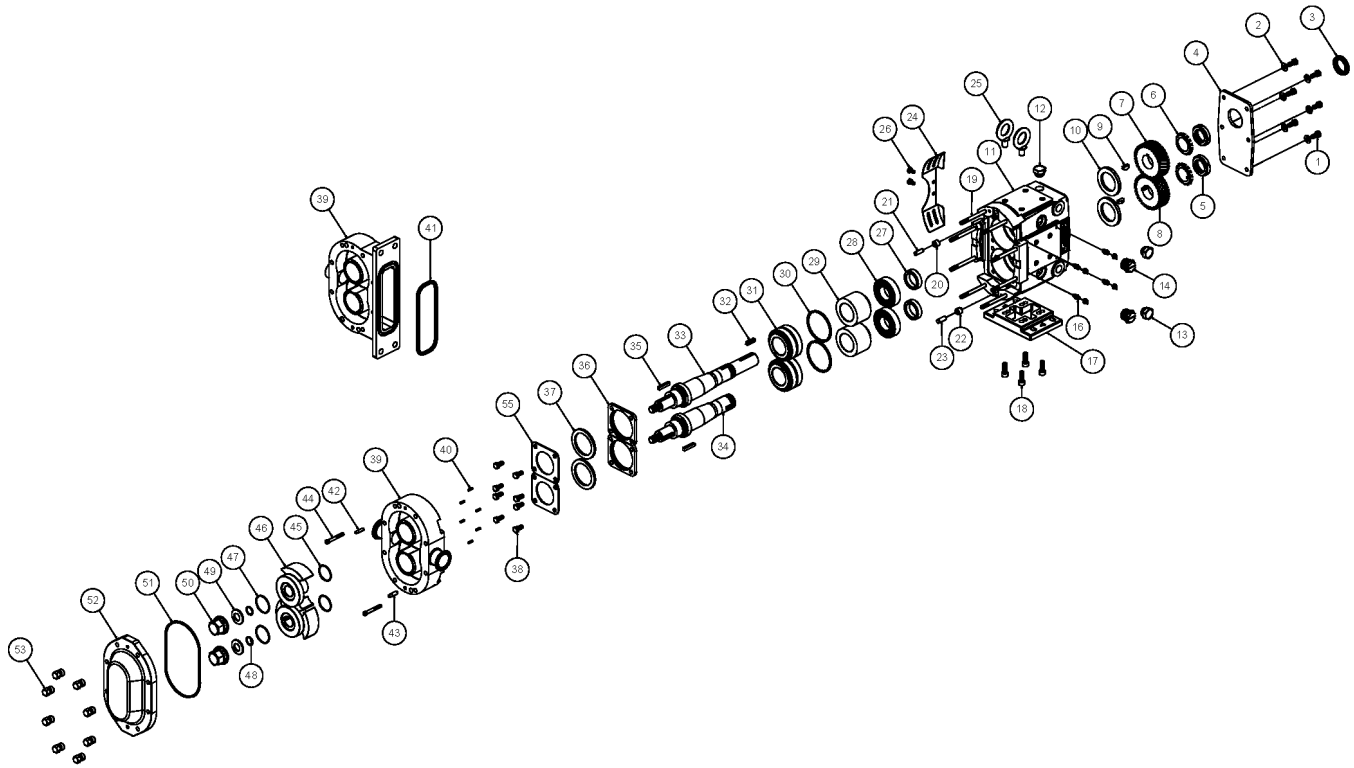
Be advised that partials of part number can return a large amount of results.



**Exploded View**

*Optional Items Shown in ITALICS*

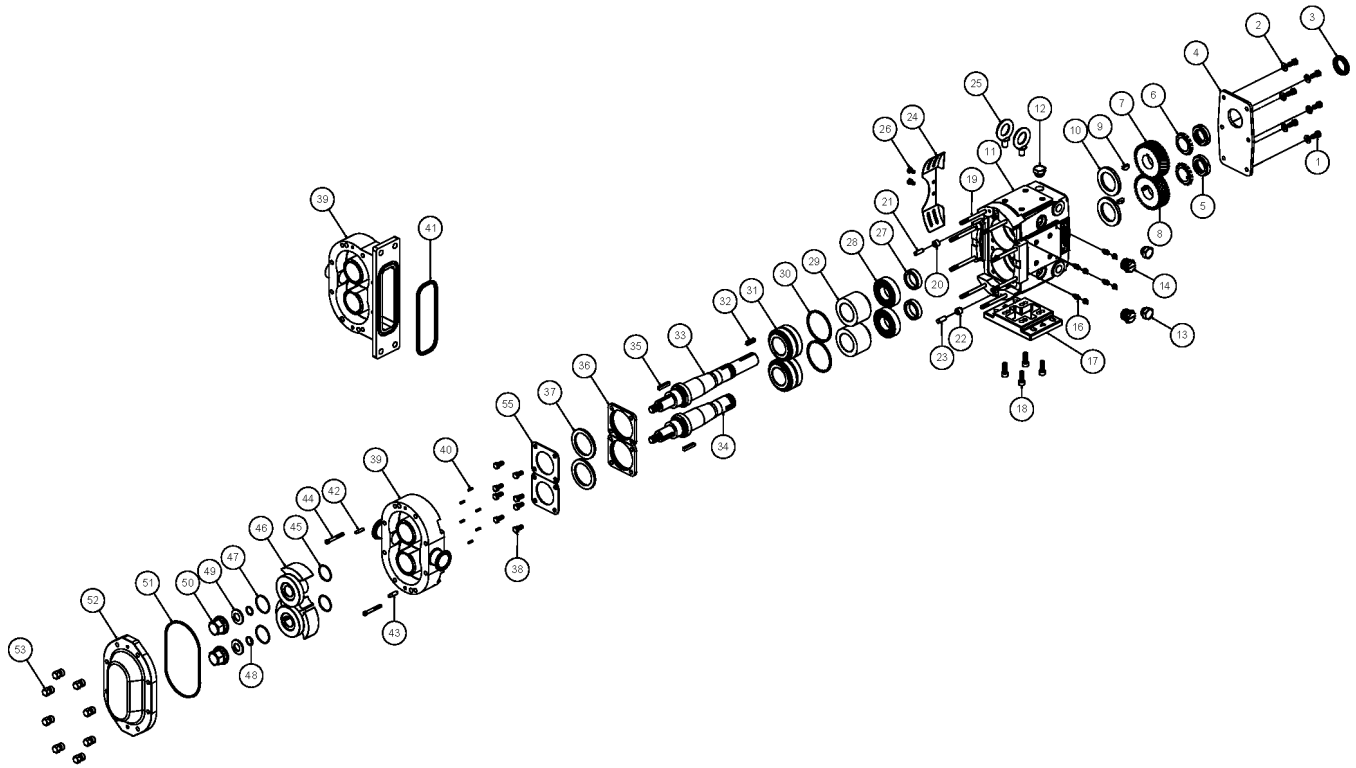
Ref #	Component Item No.	Description	Qty Per
1	P1GX30-58	1/4-20 X 3/4" HHCS, G.CASE COVER, SS - ZP1 & ZP2 6/15/18/30/	6
2	P1GX43-108	FLAT WASHER, G CASE COVER, 1/4 X 5/8 OD, SS - ZP1 & ZP2 6/15	6
3	P1GX000030016	OIL SEAL, GEAR CASE COVER - ZP1 & ZP2 6/15/18	1
4	P1SX020106000	GEAR CASE COVER, SS - ZP1 & ZP2 6/15/18/24	1
5	P1GXSTD236005	GEAR LOCK NUT - ZP1 & ZP2 6/15/18	2
6	P1GXSTD136005	GEAR LOCKWASHER ZP1 & ZP2 6/15/18	2
7	P1GX015007001	GEAR DRIVE SHAFT ZP1 & ZP2 6/15/18	1
8	P1GX015007002	GEAR SHORT SHAFT ZP1 & ZP2 6/15/18	1
9	P1GX015037000	GEAR KEY - ZP1 & ZP2 6/15/18/24	2
10	P1GX000030017	OIL SEAL, REAR - ZP1 & ZP2 6/15/18	2
11	P1SX020005000	GEAR CASE, SS - ZP1 & ZP2 6/15/18/24	1
12	P1GX115798	PLUG,HEX,20M X1.5,W/NBR SEAL	5
13	P1GX115799	GAUGE,OIL,LVL,INDIC,M-20X1.5	1
14	P1GX20PLUG-SS	CLEANOUT PLUG, SS - ZP1 6/15/18	4
	<i>P1GX20PLUG</i>	<i>CLEANOUT PLUG, YELLOW - ZP1 6/15/18</i>	4
16	P1GXBD0092001	GREASE FITTING, THREADED 1/4"-28 TAPER, SS	8
17	P1SX020110000	GEAR CASE BASE, SS - ZP1 & ZP2 6/15/18/24	1
18	P1GX15SHCSGCB	SHCS, G. CASE BASE, (18-8 SS) 5/16-18 X 3/4 - ZP1 & ZP2 6/15	4
19	P1GXAD0011000	STUD, ZP2 6/15	8
	<i>P1GXAD0011J00</i>	<i>STUD, JACKETED COVER, ZP2 6/15</i>	8
20	P1GXAD0116000	UPPER DOWEL BUSHING - ZP1 & ZP2 6/15/18	1
21	P1GX124581	DOWEL PIN - ZP1 & ZP2 6/15/18/24	1
22	P1GXAD0116100	LOWER DOWEL BUSHING - ZP1 & ZP2 6/15/18	1
23	P1GX124582	DOWEL PIN - ZP1 & ZP2 45/60/64/130/134	1
24	P1SX020CEGUARD	GUARD,6-24,(CE),GC,SS	2
26	P1GX000CENAIL	DRIVENAIL,ZP,GEAR CASE GUARDS	4
27	P1GX015055000	GEAR TO REAR BEARING SPACER - ZP1 & ZP2 6/15/18/24	2



**Exploded View**

*Optional Items Shown in ITALICS*

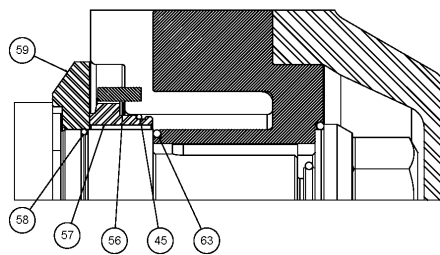
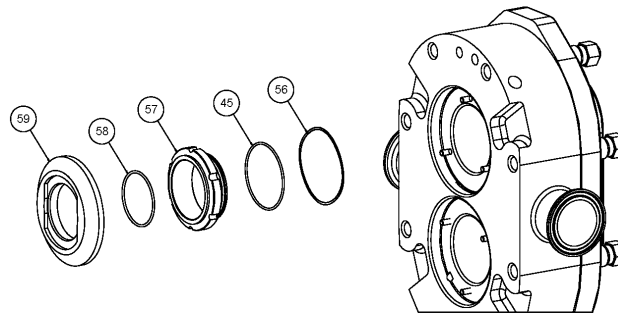
Ref #	Component Item No.	Description	Qty Per
28	P1GX015035000	REAR BEARING - ZP1 & ZP2 6/14/15/18/24	2
29	P1GX101814	BEARING SPACER - ZP1 & ZP2 6/15/18/24	2
30	P1GX117889	SHIM KIT - ZP1 & ZP2 6/15/18/24	2
31	P1GX101714	FRONT BEARING - ZP1 & ZP2 6/14/15/18/24	2
32	P1GX000037001	DRIVE KEY, 3/16 SQ. X 1-1/8" - ZP1 & ZP2 6/15/18	1
33	P2SX108405	DRIVE SHAFT (17-4PH) - ZP2 6/15	1
34	P2SX108406	SHORT SHAFT (17-4PH) - ZP2 6/15	1
35	P2SX101817	ROTOR KEY - ZP2 6/15	2
36	P1SX120332	BEARING RETAINER, NEW STYLE 3A - ZP1 & ZP2 6/15/18/24	2
37	P1GX121679	GREASE SEAL FRONT BEARING RET. 3A - ZP1 & ZP2 6/15/18	2
38	P1GX30-58BHCS	1/4-20 x 3/8" BUTTON HEAD CAP SCREW, SS	8
39	P2BDY006001000	BODY - ZP2 6	1
	<i>P2BDY006001F00</i>	<i>BODY - ZP2 6 - FLUSHED</i>	1
40	P2GX101718	STOP PIN,SEAL - ZP2 6/15/18/24	6
42	P1GX124581	DOWEL PIN - ZP1 & ZP2 6/15/18/24	1
43	P1GX124582	DOWEL PIN - ZP1 & ZP2 45/60/64/130/134	1
44	P1GX30-523	CAPSCRW,SH,1/4-20X1-1/4,18-8SS SCKT HD	2
45	N70028	O-RING, INNER SEAL (BUNA) - ZP2 6/15/18	2
	<i>E70028</i>	<i>O-RING, INNER SEAL (EPDM) - ZP2 6/15/18</i>	2
	<i>V70028</i>	<i>O-RING, INNER SEAL (VITON) - ZP2 6/15/18</i>	2
46	P2RTB006010000	ROTOR TWIN BLADE - ZP2 6 (STD) - ALLOY 88	2
	<i>P2RTB006010200</i>	<i>ROTOR TWIN BLADE - ZP2 6 (STD) - 316L</i>	2
47	N70126	O-RING, ROTOR NUT (BUNA) - ZP2 6/15/18	2
	<i>E70126</i>	<i>O-RING, ROTOR NUT (EPDM) - ZP2 6/15/18</i>	2
	<i>V70126</i>	<i>O-RING, ROTOR NUT (VITON) - ZP2 6/15/18</i>	2
48	N70112	O-RING, RETAINER (BUNA) - ZP2 6/15/18	2
	<i>E70112</i>	<i>O-RING, RETAINER (EPDM) - ZP2 6/15/18</i>	2



**Exploded View**

*Optional Items Shown in ITALICS*

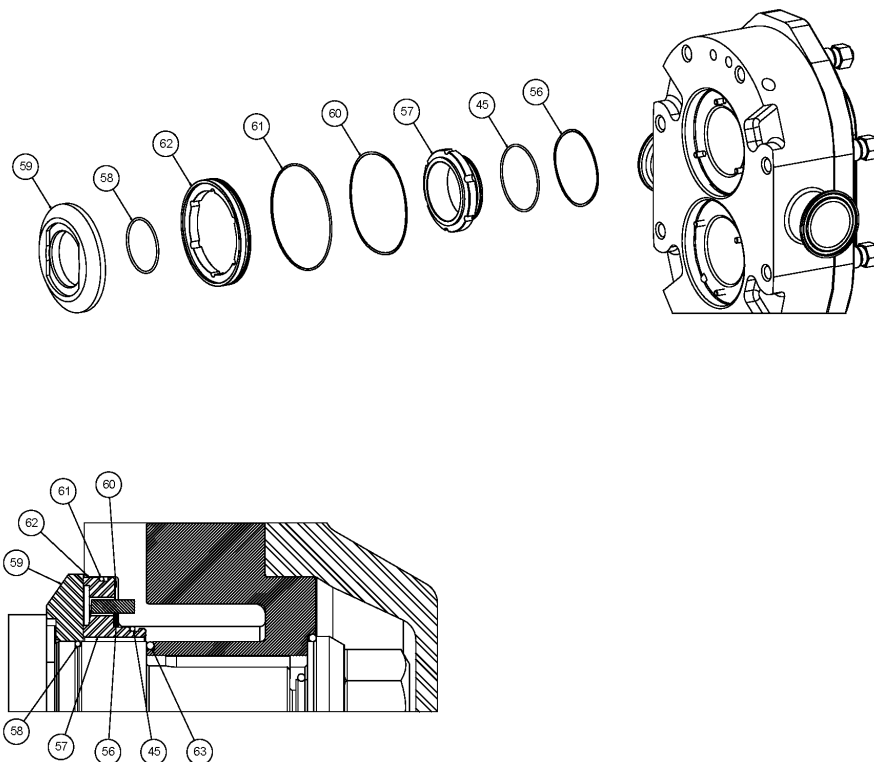
Ref #	Component Item No.	Description	Qty Per
48	V70112	O-RING, RETAINER (VITON) - ZP2 6/15/18	2
49	P2GX101691	BELLEVILLE WASHER, SS - ZP2 6/15/18/24	2
50	P2SX101804	ROTOR NUT - ZP2 6/15/18/24	2
51	N70249	O-RING, COVER (BUNA) - ZP2 6/15/18	1
	<i>E70249</i>	<i>O-RING, COVER (EPDM) - ZP2 6/15/18</i>	<i>1</i>
	<i>V70249</i>	<i>O-RING, COVER (VION) - ZP2 6/15/18</i>	<i>1</i>
52	P2CVR101842	COVER - ZP2 6/15/18/24	1
	<i>P2CVR107664</i>	<i>COVER, JACKETED - ZP2 6/15/18/24</i>	<i>1</i>
53	P1SX108369	COVER HEX NUT - ZP1 & ZP2 6/15/18/24	8
	<i>P1GX105850</i>	<i>WING NUT - ZP1 &amp; ZP2 6/15/18</i>	<i>8</i>
55	P1SX020SPLATE	BEARING RETAINER SPLASH PLATE - ZP1 & ZP2 6/15/18	2



**Single Mechanical Seal**

*Optional Items Shown in ITALICS*

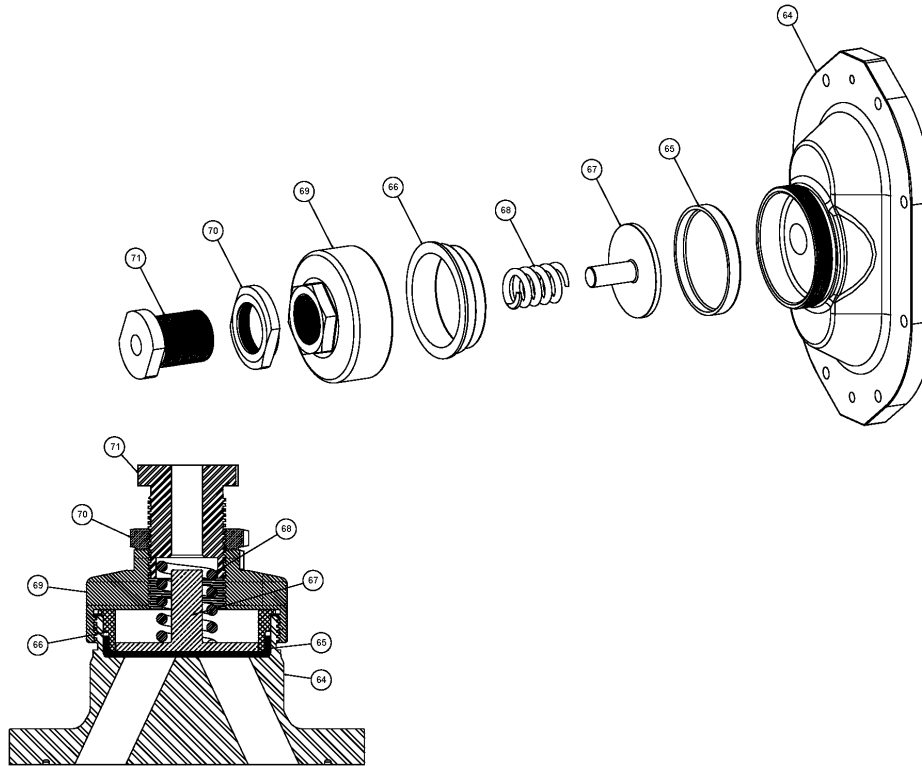
Ref #	Component Item No.	Description	Qty Per
45	<b>N70028</b>	<b>O-RING, INNER SEAL (BUNA) - ZP2 6/15/18</b>	<b>2</b>
	<i>E70028</i>	<i>O-RING, INNER SEAL (EPDM) - ZP2 6/15/18</i>	2
	<i>V70028</i>	<i>O-RING, INNER SEAL (VITON) - ZP2 6/15/18</i>	2
56	<b>P2GS101683</b>	<b>INNER SEAL WAVE SPRING - ZP2 6/15/18</b>	<b>2</b>
57	<b>P2GS101653</b>	<b>INNER SEAL (C) - ZP2 6/15/18/24</b>	<b>2</b>
	<i>P2GS101652</i>	<i>INNER SEAL (K) - ZP2 6/15/18/24</i>	2
	<i>P2GS101651</i>	<i>INNER SEAL (N) - ZP2 6/15/18/24</i>	2
58	<b>N70024</b>	<b>O-RING, SHAFT (BUNA) - ZP2 6/15/18</b>	<b>2</b>
	<i>E70024</i>	<i>O-RING, SHAFT (EPDM) - ZP2 6/15/18</i>	2
	<i>V70024</i>	<i>O-RING, SHAFT (VITON) - ZP2 6/15/18</i>	2
59	<b>P2GS101668</b>	<b>SEAL SEAT (C) ZP2 6/15/18/24</b>	<b>2</b>
	<i>P2GS101667</i>	<i>SEAL SEAT (K) ZP2 6/15/18/24</i>	2
63	<b>N70121</b>	<b>O-RING, ROTOR HUB (BUNA) - ZP2 6/15/18</b>	<b>2</b>
	<i>E70121</i>	<i>O-RING, ROTOR HUB (EPDM) - ZP2 6/15/18</i>	2
	<i>V70121</i>	<i>O-RING, ROTOR HUB (VITON) - ZP2 6/15/18</i>	2



**Double Mechanical Seal**

*Optional Items Shown in ITALICS*

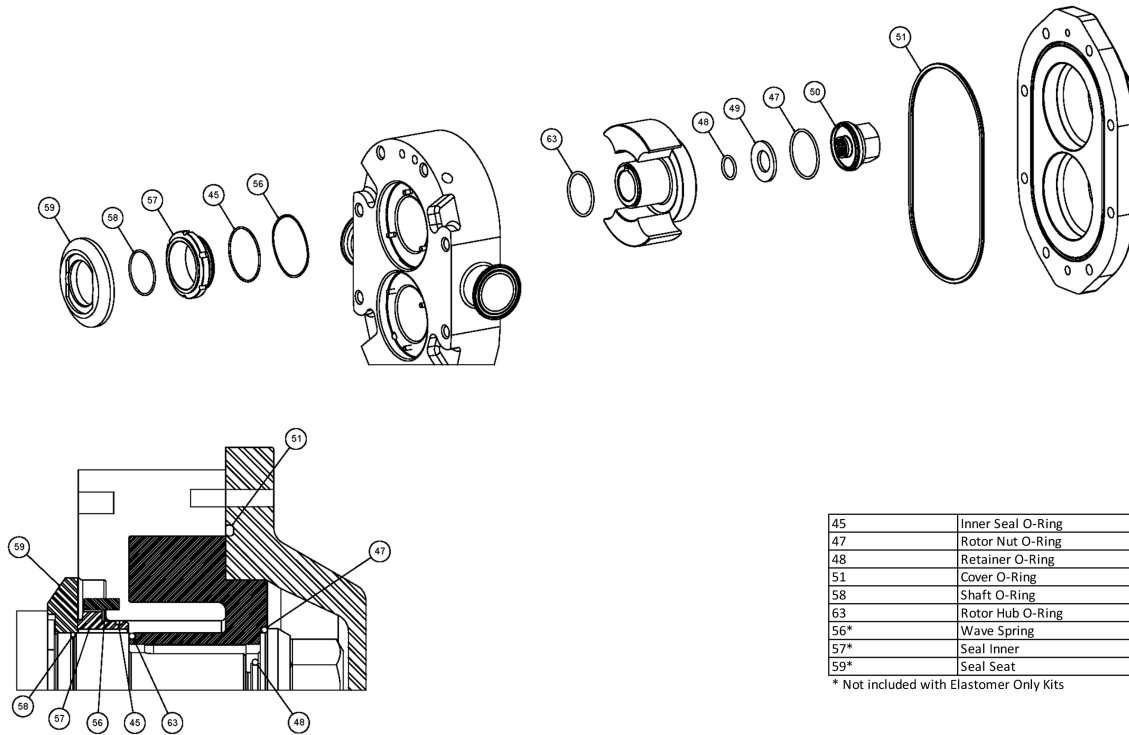
Ref #	Component Item No.	Description	Qty Per
45	<b>N70028</b>	<b>O-RING, INNER SEAL (BUNA) - ZP2 6/15/18</b>	<b>2</b>
	<i>E70028</i>	<i>O-RING, INNER SEAL (EPDM) - ZP2 6/15/18</i>	2
	<i>V70028</i>	<i>O-RING, INNER SEAL (VITON) - ZP2 6/15/18</i>	2
56	<b>P2GS101683</b>	<b>INNER SEAL WAVE SPRING - ZP2 6/15/18</b>	<b>2</b>
57	<b>P2GS101653</b>	<b>INNER SEAL (C) - ZP2 6/15/18/24</b>	<b>2</b>
	<i>P2GS101652</i>	<i>INNER SEAL (K) - ZP2 6/15/18/24</i>	2
	<i>P2GS101651</i>	<i>INNER SEAL (N) - ZP2 6/15/18/24</i>	2
58	<b>N70024</b>	<b>O-RING, SHAFT (BUNA) - ZP2 6/15/18</b>	<b>2</b>
	<i>E70024</i>	<i>O-RING, SHAFT (EPDM) - ZP2 6/15/18</i>	2
	<i>V70024</i>	<i>O-RING, SHAFT (VITON) - ZP2 6/15/18</i>	2
59	<b>P2GS101668</b>	<b>SEAL SEAT (C) ZP2 6/15/18/24</b>	<b>2</b>
	<i>P2GS101667</i>	<i>SEAL SEAT (K) ZP2 6/15/18/24</i>	2
60	<b>P2GS101684</b>	<b>OUTER SEAL WAVE SPRING - ZP2 6/15/18</b>	<b>2</b>
61	<b>N70035</b>	<b>O-RING, OUTER SEAL (BUNA) - ZP2 6/15/18</b>	<b>2</b>
	<i>E70035</i>	<i>O-RING, OUTER SEAL (EPDM) - ZP2 6/15/18</i>	2
	<i>V70035</i>	<i>O-RING, OUTER SEAL (VITON) - ZP2 6/15/18</i>	2
62	<b>P2GS101679</b>	<b>OUTER SEAL (N) - ZP2 6/15/18</b>	<b>2</b>
63	<b>N70121</b>	<b>O-RING, ROTOR HUB (BUNA) - ZP2 6/15/18</b>	<b>2</b>
	<i>E70121</i>	<i>O-RING, ROTOR HUB (EPDM) - ZP2 6/15/18</i>	2
	<i>V70121</i>	<i>O-RING, ROTOR HUB (VITON) - ZP2 6/15/18</i>	2



**Pressure Relief Cover**

*Optional Items Shown in ITALICS*

Ref #	Component Item No.	Description	Qty Per
64	P2CVR103669	VENTED FRONT COVER, ZP2 - 6/15/18	1
65	P1GXAD0078000	RUBBER DIAPHRAGM, BUNA, ZP1 & ZP2 & ZP3 - 6/15/18/30/34/40	1
	<i>P1GXAD0078EPO</i>	<i>RUBBER DIAPHRAGM, EPDM, ZP1 &amp; ZP2 &amp; ZP3 - 6/15/18/30/34/40</i>	1
	<i>P1GXAD0078V00</i>	<i>RUBBER DIAPHRAGM, VITON, ZP1 &amp; ZP2 &amp; ZP3 - 6/15/18/30/34/40</i>	1
66	P1SXAD0077000	DIAPHRAGM BUSHING, ZP1 & ZP2 & ZP3 - 6/15/18/30/34/40	1
67	P1SXAD0073000	SPRING PLUNGER, ZP1 & ZP2 & ZP3 - 6/15/18/30/34/40	1
68	P1SXAD0076000	SPRING, MEDIUM, (LESS THAN 150 PSI), ZP1 & ZP2 & ZP3 - 6/15/18/30/34/40	1
	<i>P1SXABB076100</i>	<i>SPRING, HIGH, (MORE THAN 150 PSI), ZP1 &amp; ZP2 &amp; ZP3 - 6/15/18/30/34/40</i>	1
69	P1SXAD0075000	COVER NUT, ZP1 & ZP2 & ZP3 - 6/15/18/30/34/40	1
70	P1SXAD0074000	LOCKNUT, ZP1 & ZP2 & ZP3 - 6/15/18/30/34/40	1
71	P1SXAD0072000	ADJUSTING SCREW, ZP1 & ZP2 & ZP3 - 6/15/18/30/34/40	1



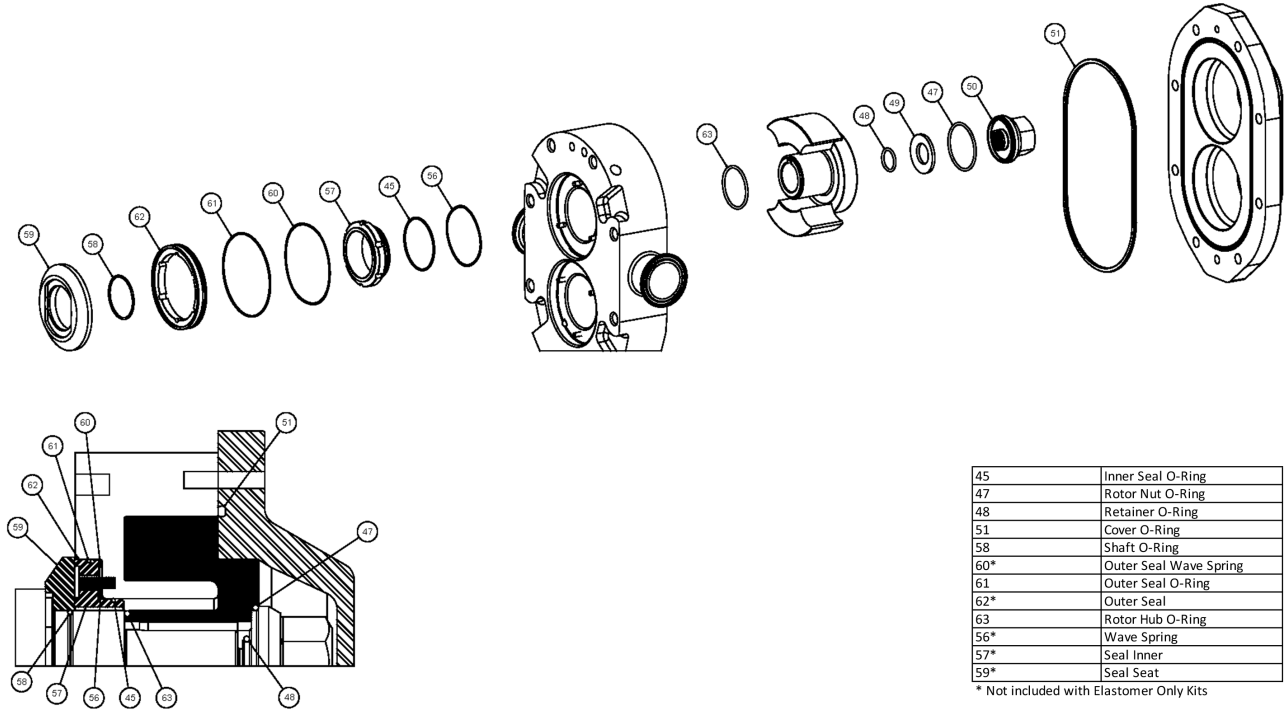
45	Inner Seal O-Ring
47	Rotor Nut O-Ring
48	Retainer O-Ring
51	Cover O-Ring
58	Shaft O-Ring
63	Rotor Hub O-Ring
56*	Wave Spring
57*	Seal Inner
59*	Seal Seat

\* Not included with Elastomer Only Kits

**Single Mechanical Seal Kit**

*Optional Items Shown in ITALICS*

Ref #	Component Item No.	Description	Qty Per
1	<b>P2GX015000-N</b>	<b>SEAL KIT, SGL MECH, ELASTOMERS ONLY, BUNA - ZP2 6/15/18</b>	<b>1</b>
	<i>P2GX015000-E</i>	<i>SEAL KIT, SGL MECH, ELASTOMERS ONLY, EPDM - ZP2 6/15/18</i>	<i>1</i>
	<i>P2GX015000-V</i>	<i>SEAL KIT, SGL MECH, ELASTOMERS ONLY, VITON - ZP2 6/15/18</i>	<i>1</i>
2	<b>P2GS015000-N</b>	<b>SEAL KIT, SGL MECH, SC/CA, BUNA - ZP2 6/15/18</b>	<b>1</b>
	<i>P2GS015000-E</i>	<i>SEAL KIT, SGL MECH, SC/CA, EPDM - ZP2 6/15/18</i>	<i>1</i>
	<i>P2GS015000-V</i>	<i>SEAL KIT, SGL MECH, SC/CA, VITON - ZP2 6/15/18</i>	<i>1</i>
3	<b>P2GS015020-N</b>	<b>SEAL KIT, SGL MECH, CE/CA, BUNA - ZP2 6/15/18</b>	<b>1</b>
	<i>P2GS015020-E</i>	<i>SEAL KIT, SGL MECH, CE/CA, EPDM - ZP2 6/15/18</i>	<i>1</i>
	<i>P2GS015020-V</i>	<i>SEAL KIT, SGL MECH, CE/CA, VITON - ZP2 6/15/18</i>	<i>1</i>
4	<i>P2GS015030-V</i>	<i>SEAL KIT, SGL MECH, CE/CE, VITON - ZP2 6/15/18</i>	<i>1</i>
5	<b>P2GS015010-N</b>	<b>SEAL KIT, SGL MECH, SC/SC, BUNA - ZP2 6/15/18</b>	<b>1</b>
	<i>P2GS015010-E</i>	<i>SEAL KIT, SGL MECH, SC/SC, EPDM - ZP2 6/15/18</i>	<i>1</i>
	<i>P2GS015010-V</i>	<i>SEAL KIT, SGL MECH, SC/SC, VITON - ZP2 6/15/18</i>	<i>1</i>
49	<b>P2GX101691</b>	<b>BELLEVILLE WASHER, SS - ZP2 6/15/18/24</b>	<b>2</b>
50	<b>P2SX101804</b>	<b>ROTOR NUT - ZP2 6/15/18/24</b>	<b>2</b>



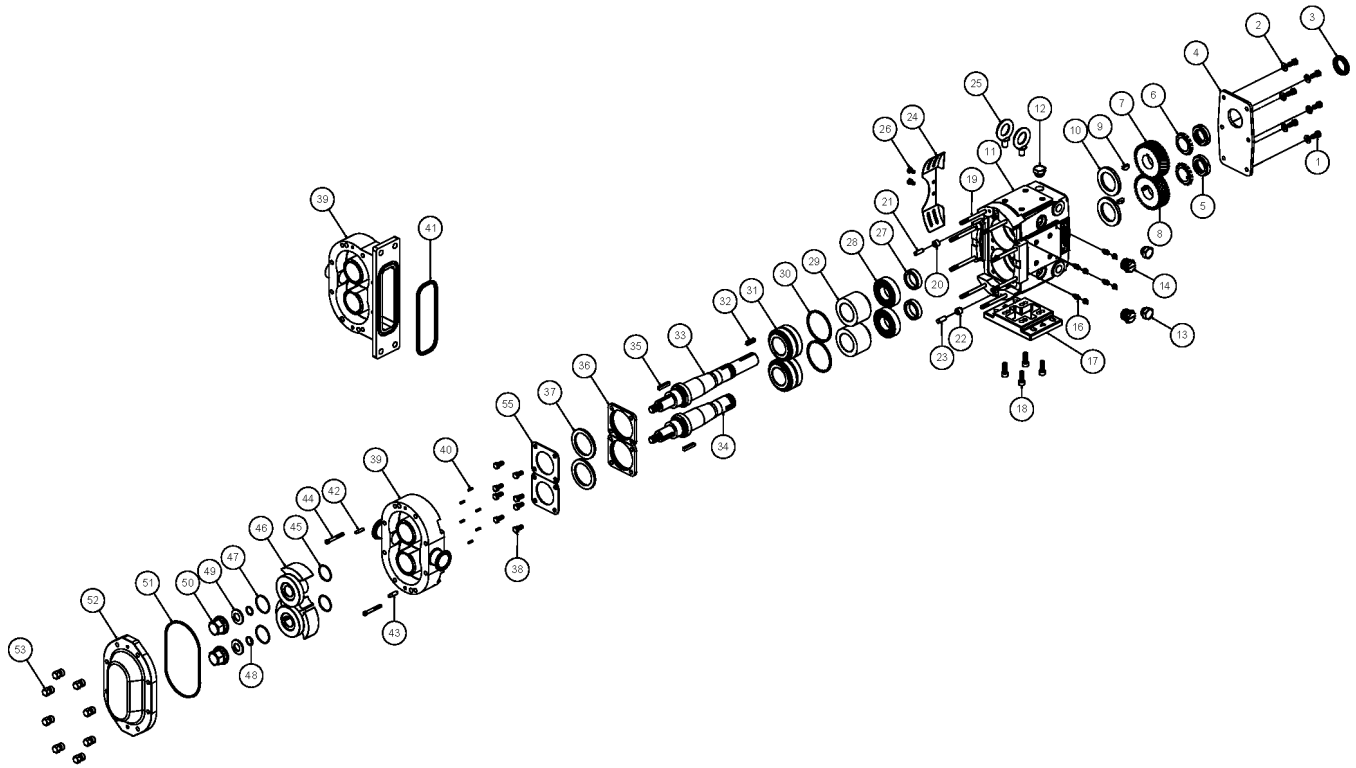
45	Inner Seal O-Ring
47	Rotor Nut O-Ring
48	Retainer O-Ring
51	Cover O-Ring
58	Shaft O-Ring
60*	Outer Seal Wave Spring
61	Outer Seal O-Ring
62*	Outer Seal
63	Rotor Hub O-Ring
56*	Wave Spring
57*	Seal Inner
59*	Seal Seat

\* Not included with Elastomer Only Kits

**Double Mechanical Seal Kit**

*Optional Items Shown in ITALICS*

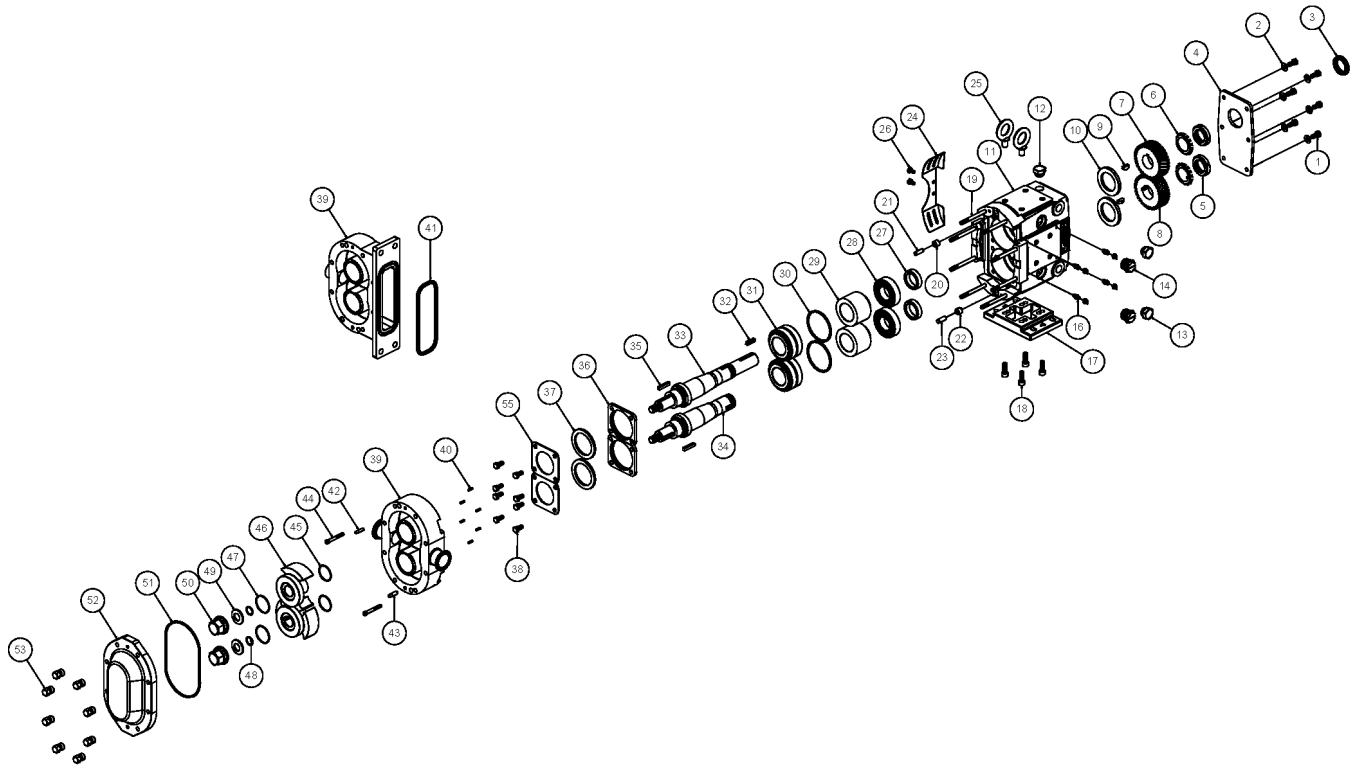
Ref #	Component Item No.	Description	Qty Per
1	<b>P2GX015200-N</b>	<b>SEAL KIT, DBL MECH, ELASTOMERS ONLY, BUNA - ZP2 6/15/18</b>	<b>1</b>
	<i>P2GX015200-V</i>	<i>SEAL KIT, DBL MECH, ELASTOMERS ONLY, VITON - ZP2 6/15/18</i>	<i>1</i>
2	<b>P2GS015200-N</b>	<b>SEAL KIT, DBL MECH, SC/CA/CA, BUNA - ZP2 6/15/18</b>	<b>1</b>
	<i>P2GS015200-E</i>	<i>SEAL KIT, DBL MECH, SC/CA/CA, EPDM - ZP2 6/15/18</i>	<i>1</i>
	<i>P2GS015200-V</i>	<i>SEAL KIT, DBL MECH, SC/CA/CA, VITON - ZP2 6/15/18</i>	<i>1</i>
3	<b>P2GS015220-N</b>	<b>SEAL KIT, DBL MECH, CE/CA/CA, BUNA - ZP2 6/15/18</b>	<b>1</b>
	<i>P2GS015220-E</i>	<i>SEAL KIT, DBL MECH, CE/CA/CA, EPDM - ZP2 6/15/18</i>	<i>1</i>
	<i>P2GS015220-V</i>	<i>SEAL KIT, DBL MECH, CE/CA/CA, VITON - ZP2 6/15/18</i>	<i>1</i>
5	<b>P2GS015210-N</b>	<b>SEAL KIT, DBL MECH, SC/SC/CA, BUNA - ZP2 6/15/18</b>	<b>1</b>
	<i>P2GS015210-E</i>	<i>SEAL KIT, DBL MECH, SC/SC/CA, EPDM - ZP2 6/15/18</i>	<i>1</i>
	<i>P2GS015210-V</i>	<i>SEAL KIT, DBL MECH, SC/SC/CA, VITON - ZP2 6/15/18</i>	<i>1</i>
49	<b>P2GX101691</b>	<b>BELLEVILLE WASHER, SS - ZP2 6/15/18/24</b>	<b>2</b>
50	<b>P2SX101804</b>	<b>ROTOR NUT - ZP2 6/15/18/24</b>	<b>2</b>



**Exploded View**

*Optional Items Shown in ITALICS*

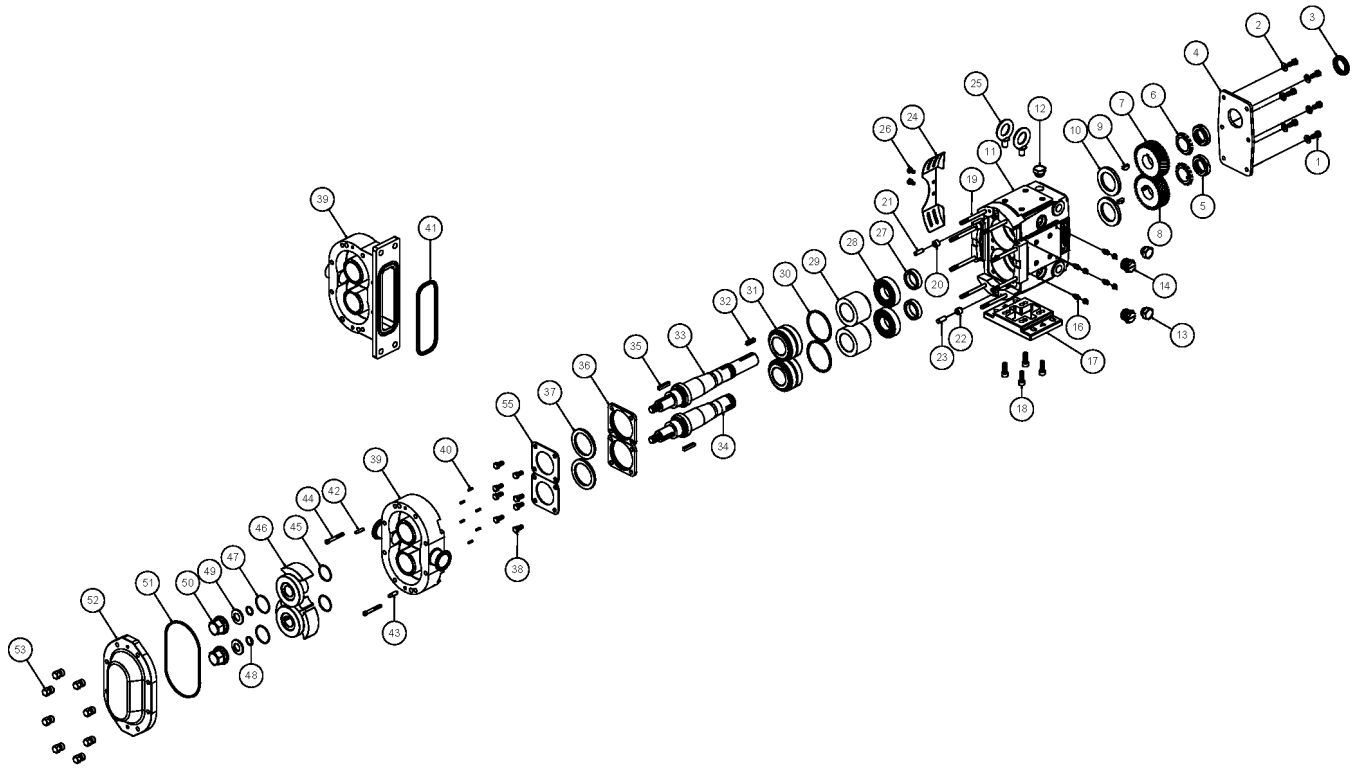
Ref #	Component Item No.	Description	Qty Per
1	P1GX30-58	1/4-20 X 3/4" HHCS, G.CASE COVER, SS - ZP1 & ZP2 6/15/18/30/	6
2	P1GX43-108	FLAT WASHER, G CASE COVER, 1/4 X 5/8 OD, SS - ZP1 & ZP2 6/15	6
3	P1GX000030016	OIL SEAL, GEAR CASE COVER - ZP1 & ZP2 6/15/18	1
4	P1SX020106000	GEAR CASE COVER, SS - ZP1 & ZP2 6/15/18/24	1
5	P1GXSTD236005	GEAR LOCK NUT - ZP1 & ZP2 6/15/18	2
6	P1GXSTD136005	GEAR LOCKWASHER ZP1 & ZP2 6/15/18	2
7	P1GX015007001	GEAR DRIVE SHAFT ZP1 & ZP2 6/15/18	1
8	P1GX015007002	GEAR SHORT SHAFT ZP1 & ZP2 6/15/18	1
9	P1GX015037000	GEAR KEY - ZP1 & ZP2 6/15/18/24	2
10	P1GX000030017	OIL SEAL, REAR - ZP1 & ZP2 6/15/18	2
11	P1SX020005000	GEAR CASE, SS - ZP1 & ZP2 6/15/18/24	1
12	P1GX115798	PLUG,HEX,20M X1.5,W/NBR SEAL	5
13	P1GX115799	GAUGE,OIL,LVL,INDIC,M-20X1.5	1
14	P1GX20PLUG-SS	CLEANOUT PLUG, SS - ZP1 6/15/18	4
	<i>P1GX20PLUG</i>	<i>CLEANOUT PLUG, YELLOW - ZP1 6/15/18</i>	4
16	P1GXBD0092001	GREASE FITTING, THREADED 1/4"-28 TAPER, SS	8
17	P1SX020110000	GEAR CASE BASE, SS - ZP1 & ZP2 6/15/18/24	1
18	P1GX15SHCSGCB	SHCS, G. CASE BASE, (18-8 SS) 5/16-18 X 3/4 - ZP1 & ZP2 6/15	4
19	P1GXAD0011000	STUD, ZP2 6/15	8
	<i>P1GXAD0011J00</i>	<i>STUD, JACKETED COVER, ZP2 6/15</i>	8
20	P1GXAD0116000	UPPER DOWEL BUSHING - ZP1 & ZP2 6/15/18	1
21	P1GX124581	DOWEL PIN - ZP1 & ZP2 6/15/18/24	1
22	P1GXAD0116100	LOWER DOWEL BUSHING - ZP1 & ZP2 6/15/18	1
23	P1GX124582	DOWEL PIN - ZP1 & ZP2 45/60/64/130/134	1
24	P1SX020CEGUARD	GUARD,6-24,(CE),GC,SS	2
26	P1GX000CENAIL	DRIVENAIL,ZP,GEAR CASE GUARDS	4
27	P1GX015055000	GEAR TO REAR BEARING SPACER - ZP1 & ZP2 6/15/18/24	2



**Exploded View**

*Optional Items Shown in ITALICS*

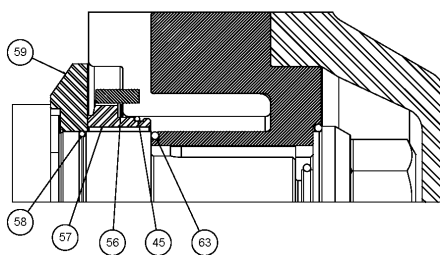
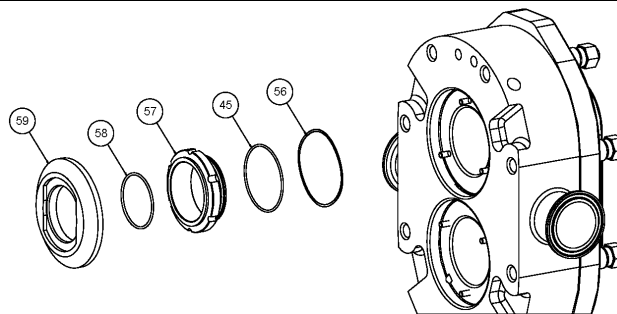
Ref #	Component Item No.	Description	Qty Per
28	P1GX015035000	REAR BEARING - ZP1 & ZP2 6/14/15/18/24	2
29	P1GX101814	BEARING SPACER - ZP1 & ZP2 6/15/18/24	2
30	P1GX117889	SHIM KIT - ZP1 & ZP2 6/15/18/24	2
31	P1GX101714	FRONT BEARING - ZP1 & ZP2 6/14/15/18/24	2
32	P1GX000037001	DRIVE KEY, 3/16 SQ. X 1-1/8" - ZP1 & ZP2 6/15/18	1
33	P2SX108405	DRIVE SHAFT (17-4PH) - ZP2 6/15	1
34	P2SX108406	SHORT SHAFT (17-4PH) - ZP2 6/15	1
35	P2SX101817	ROTOR KEY - ZP2 6/15	2
36	P1SX120332	BEARING RETAINER, NEW STYLE 3A - ZP1 & ZP2 6/15/18/24	2
37	P1GX121679	GREASE SEAL FRONT BEARING RET. 3A - ZP1 & ZP2 6/15/18	2
38	P1GX30-58BHCS	1/4-20 x 3/8" BUTTON HEAD CAP SCREW, SS	8
39	P2BDY015001000	BODY - ZP2 15	1
	<i>P2BDY015001F00</i>	<i>BODY - ZP2 15 - FLUSHED</i>	1
40	P2GX101718	STOP PIN,SEAL - ZP2 6/15/18/24	6
42	P1GX124581	DOWEL PIN - ZP1 & ZP2 6/15/18/24	1
43	P1GX124582	DOWEL PIN - ZP1 & ZP2 45/60/64/130/134	1
44	P1GX30-523	CAPSCRW,SH,1/4-20X1-1/4,18-8SS SCKT HD	2
45	N70028	O-RING, INNER SEAL (BUNA) - ZP2 6/15/18	2
	<i>E70028</i>	<i>O-RING, INNER SEAL (EPDM) - ZP2 6/15/18</i>	2
	<i>V70028</i>	<i>O-RING, INNER SEAL (VITON) - ZP2 6/15/18</i>	2
46	P2RTB015010000	ROTOR TWIN BLADE - ZP2 15 (STD) - ALLOY 88	2
	<i>P2RTB01501000H</i>	<i>ROTOR TWIN BLADE - ZP2 15 (STD) - ALLOY 88 - HOT CLEARANCE</i>	2
	<i>P2RTB0150100HC</i>	<i>ROTOR TWIN BLADE - ZP2 15 (STD) - ALLOY 88 - HOT CHOCOLATE</i>	2
	<i>P2RTB015010200</i>	<i>ROTOR TWIN BLADE - ZP2 15 (STD) - 316L</i>	2
47	N70126	O-RING, ROTOR NUT (BUNA) - ZP2 6/15/18	2
	<i>E70126</i>	<i>O-RING, ROTOR NUT (EPDM) - ZP2 6/15/18</i>	2
	<i>V70126</i>	<i>O-RING, ROTOR NUT (VITON) - ZP2 6/15/18</i>	2



**Exploded View**

*Optional Items Shown in ITALICS*

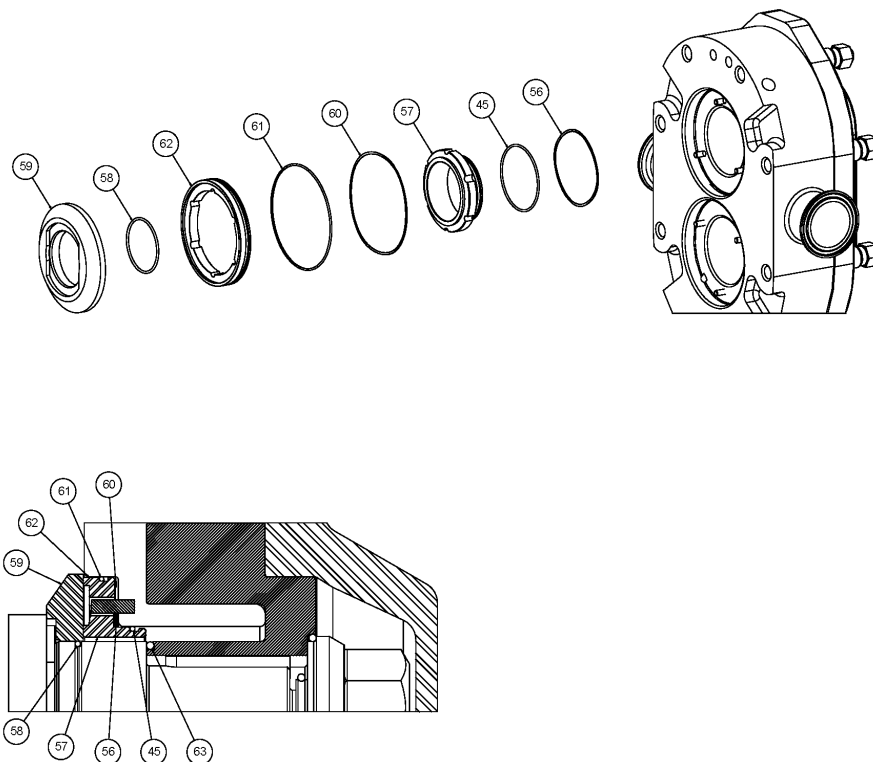
Ref #	Component Item No.	Description	Qty Per
48	<b>N70112</b>	<b>O-RING, RETAINER (BUNA) - ZP2 6/15/18</b>	<b>2</b>
	<i>E70112</i>	<i>O-RING, RETAINER (EPDM) - ZP2 6/15/18</i>	<i>2</i>
	<i>V70112</i>	<i>O-RING, RETAINER (VITON) - ZP2 6/15/18</i>	<i>2</i>
49	<b>P2GX101691</b>	<b>BELLEVILLE WASHER, SS - ZP2 6/15/18/24</b>	<b>2</b>
50	<b>P2SX101804</b>	<b>ROTOR NUT - ZP2 6/15/18/24</b>	<b>2</b>
51	<b>N70249</b>	<b>O-RING, COVER (BUNA) - ZP2 6/15/18</b>	<b>1</b>
	<i>E70249</i>	<i>O-RING, COVER (EPDM) - ZP2 6/15/18</i>	<i>1</i>
	<i>V70249</i>	<i>O-RING, COVER (VION) - ZP2 6/15/18</i>	<i>1</i>
52	<b>P2CVR101842</b>	<b>COVER - ZP2 6/15/18/24</b>	<b>1</b>
	<i>P2CVR107664</i>	<i>COVER, JACKETED - ZP2 6/15/18/24</i>	<i>1</i>
53	<b>P1SX108369</b>	<b>COVER HEX NUT - ZP1 &amp; ZP2 6/15/18/24</b>	<b>8</b>
	<i>P1GX105850</i>	<i>WING NUT - ZP1 &amp; ZP2 6/15/18</i>	<i>8</i>
55	<b>P1SX020SPLATE</b>	<b>BEARING RETAINER SPLASH PLATE - ZP1 &amp; ZP2 6/15/18</b>	<b>2</b>



**Single Mechanical Seal**

*Optional Items Shown in ITALICS*

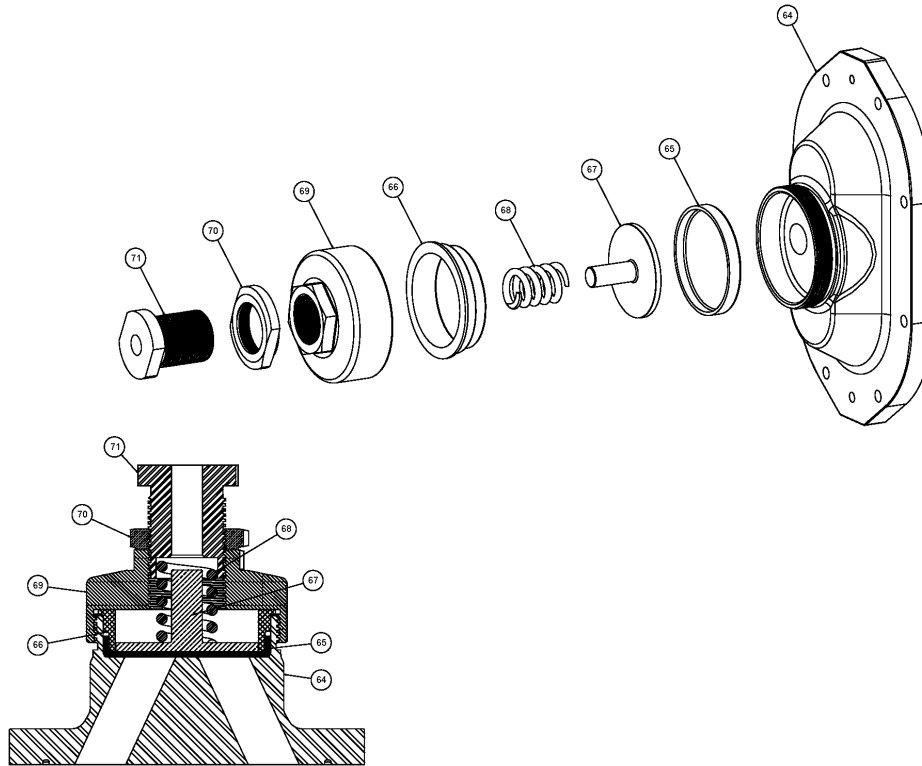
Ref #	Component Item No.	Description	Qty Per
45	<b>N70028</b>	<b>O-RING, INNER SEAL (BUNA) - ZP2 6/15/18</b>	<b>2</b>
	<i>E70028</i>	<i>O-RING, INNER SEAL (EPDM) - ZP2 6/15/18</i>	2
	<i>V70028</i>	<i>O-RING, INNER SEAL (VITON) - ZP2 6/15/18</i>	2
56	<b>P2GS101683</b>	<b>INNER SEAL WAVE SPRING - ZP2 6/15/18</b>	<b>2</b>
57	<b>P2GS101653</b>	<b>INNER SEAL (C) - ZP2 6/15/18/24</b>	<b>2</b>
	<i>P2GS101652</i>	<i>INNER SEAL (K) - ZP2 6/15/18/24</i>	2
	<i>P2GS101651</i>	<i>INNER SEAL (N) - ZP2 6/15/18/24</i>	2
58	<b>N70024</b>	<b>O-RING, SHAFT (BUNA) - ZP2 6/15/18</b>	<b>2</b>
	<i>E70024</i>	<i>O-RING, SHAFT (EPDM) - ZP2 6/15/18</i>	2
	<i>V70024</i>	<i>O-RING, SHAFT (VITON) - ZP2 6/15/18</i>	2
59	<b>P2GS101668</b>	<b>SEAL SEAT (C) ZP2 6/15/18/24</b>	<b>2</b>
	<i>P2GS101667</i>	<i>SEAL SEAT (K) ZP2 6/15/18/24</i>	2
63	<b>N70121</b>	<b>O-RING, ROTOR HUB (BUNA) - ZP2 6/15/18</b>	<b>2</b>
	<i>E70121</i>	<i>O-RING, ROTOR HUB (EPDM) - ZP2 6/15/18</i>	2
	<i>V70121</i>	<i>O-RING, ROTOR HUB (VITON) - ZP2 6/15/18</i>	2



**Double Mechanical Seal**

*Optional Items Shown in ITALICS*

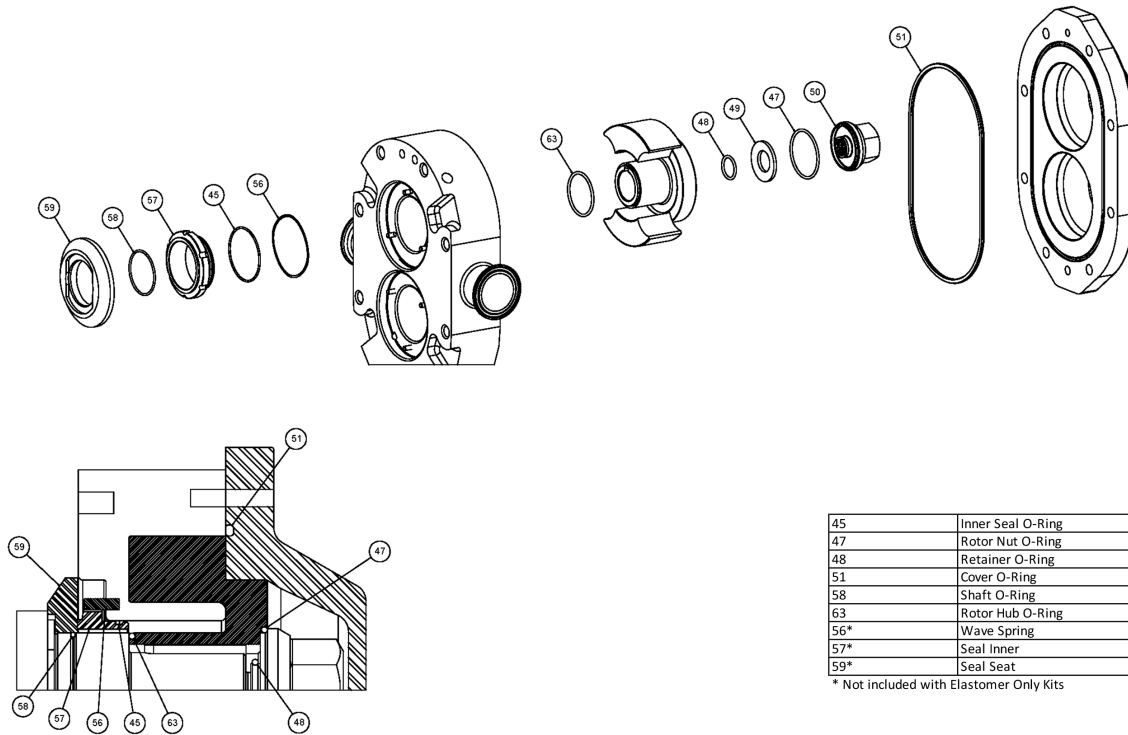
Ref #	Component Item No.	Description	Qty Per
45	<b>N70028</b>	<b>O-RING, INNER SEAL (BUNA) - ZP2 6/15/18</b>	<b>2</b>
	<i>E70028</i>	<i>O-RING, INNER SEAL (EPDM) - ZP2 6/15/18</i>	2
	<i>V70028</i>	<i>O-RING, INNER SEAL (VITON) - ZP2 6/15/18</i>	2
56	<b>P2GS101683</b>	<b>INNER SEAL WAVE SPRING - ZP2 6/15/18</b>	<b>2</b>
57	<b>P2GS101653</b>	<b>INNER SEAL (C) - ZP2 6/15/18/24</b>	<b>2</b>
	<i>P2GS101652</i>	<i>INNER SEAL (K) - ZP2 6/15/18/24</i>	2
	<i>P2GS101651</i>	<i>INNER SEAL (N) - ZP2 6/15/18/24</i>	2
58	<b>N70024</b>	<b>O-RING, SHAFT (BUNA) - ZP2 6/15/18</b>	<b>2</b>
	<i>E70024</i>	<i>O-RING, SHAFT (EPDM) - ZP2 6/15/18</i>	2
	<i>V70024</i>	<i>O-RING, SHAFT (VITON) - ZP2 6/15/18</i>	2
59	<b>P2GS101668</b>	<b>SEAL SEAT (C) ZP2 6/15/18/24</b>	<b>2</b>
	<i>P2GS101667</i>	<i>SEAL SEAT (K) ZP2 6/15/18/24</i>	2
60	<b>P2GS101684</b>	<b>OUTER SEAL WAVE SPRING - ZP2 6/15/18</b>	<b>2</b>
61	<b>N70035</b>	<b>O-RING, OUTER SEAL (BUNA) - ZP2 6/15/18</b>	<b>2</b>
	<i>E70035</i>	<i>O-RING, OUTER SEAL (EPDM) - ZP2 6/15/18</i>	2
	<i>V70035</i>	<i>O-RING, OUTER SEAL (VITON) - ZP2 6/15/18</i>	2
62	<b>P2GS101679</b>	<b>OUTER SEAL (N) - ZP2 6/15/18</b>	<b>2</b>
63	<b>N70121</b>	<b>O-RING, ROTOR HUB (BUNA) - ZP2 6/15/18</b>	<b>2</b>
	<i>E70121</i>	<i>O-RING, ROTOR HUB (EPDM) - ZP2 6/15/18</i>	2
	<i>V70121</i>	<i>O-RING, ROTOR HUB (VITON) - ZP2 6/15/18</i>	2



**Pressure Relief Cover**

*Optional Items Shown in ITALICS*

Ref #	Component Item No.	Description	Qty Per
64	P2CVR103669	VENTED FRONT COVER, ZP2 - 6/15/18	1
65	P1GXAD0078000	RUBBER DIAPHRAGM, BUNA, ZP1 & ZP2 & ZP3 - 6/15/18/30/34/40	1
	<i>P1GXAD0078EP0</i>	<i>RUBBER DIAPHRAGM, EPDM, ZP1 &amp; ZP2 &amp; ZP3 - 6/15/18/30/34/40</i>	1
	<i>P1GXAD0078V00</i>	<i>RUBBER DIAPHRAGM, VITON, ZP1 &amp; ZP2 &amp; ZP3 - 6/15/18/30/34/40</i>	1
66	P1SXAD0077000	DIAPHRAGM BUSHING, ZP1 & ZP2 & ZP3 - 6/15/18/30/34/40	1
67	P1SXAD0073000	SPRING PLUNGER, ZP1 & ZP2 & ZP3 - 6/15/18/30/34/40	1
68	P1SXAD0076000	SPRING, MEDIUM, (LESS THAN 150 PSI), ZP1 & ZP2 & ZP3 - 6/15/18/30/34/40	1
	<i>P1SXABB076100</i>	<i>SPRING, HIGH, (MORE THAN 150 PSI), ZP1 &amp; ZP2 &amp; ZP3 - 6/15/18/30/34/40</i>	1
69	P1SXAD0075000	COVER NUT, ZP1 & ZP2 & ZP3 - 6/15/18/30/34/40	1
70	P1SXAD0074000	LOCKNUT, ZP1 & ZP2 & ZP3 - 6/15/18/30/34/40	1
71	P1SXAD0072000	ADJUSTING SCREW, ZP1 & ZP2 & ZP3 - 6/15/18/30/34/40	1



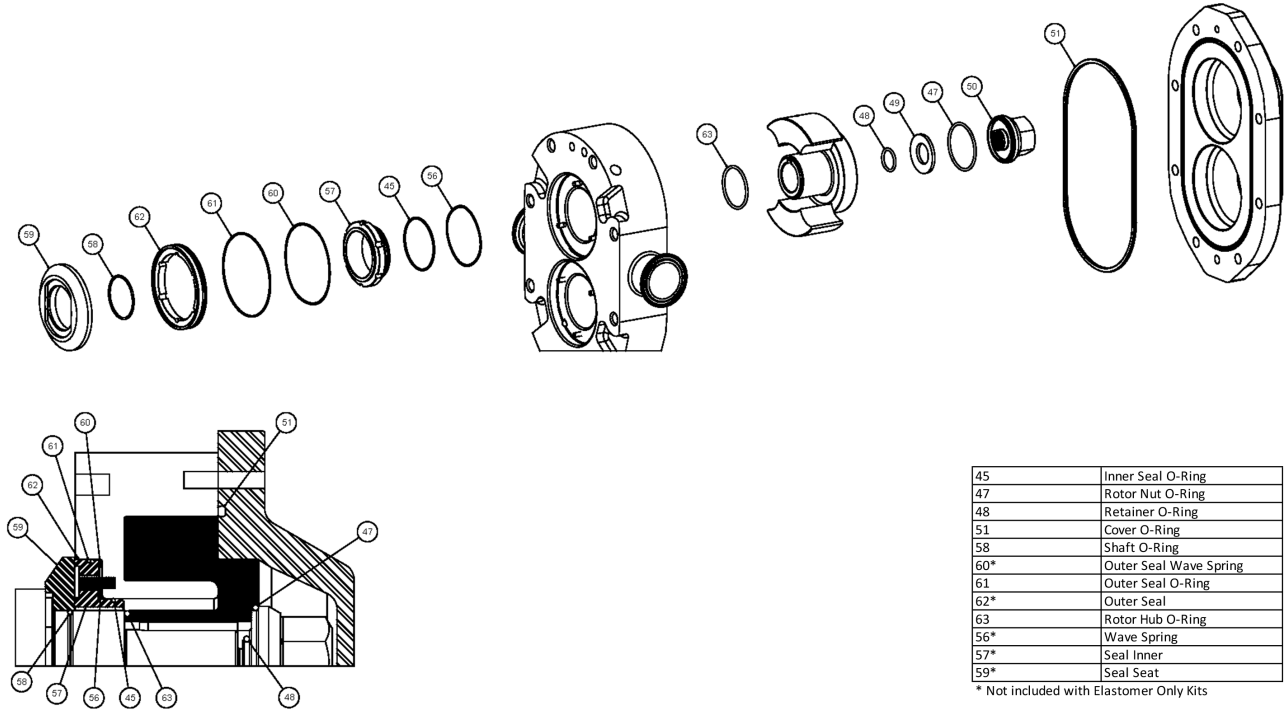
45	Inner Seal O-Ring
47	Rotor Nut O-Ring
48	Retainer O-Ring
51	Cover O-Ring
58	Shaft O-Ring
63	Rotor Hub O-Ring
56*	Wave Spring
57*	Seal Inner
59*	Seal Seat

\* Not included with Elastomer Only Kits

**Single Mechanical Seal Kit**

*Optional Items Shown in ITALICS*

Ref #	Component Item No.	Description	Qty Per
1	<b>P2GS015020-N</b>	<b>SEAL KIT, SGL MECH, CE/CA, BUNA - ZP2 6/15/18</b>	<b>1</b>
	<i>P2GX015000-E</i>	<i>SEAL KIT, SGL MECH, ELASTOMERS ONLY, EPDM - ZP2 6/15/18</i>	<i>1</i>
	<i>P2GS015020-E</i>	<i>SEAL KIT, SGL MECH, CE/CA, EPDM - ZP2 6/15/18</i>	<i>1</i>
	<i>P2GS015020-V</i>	<i>SEAL KIT, SGL MECH, CE/CA, VITON - ZP2 6/15/18</i>	<i>1</i>
	<i>P2GX015000-N</i>	<i>SEAL KIT, SGL MECH, ELASTOMERS ONLY, BUNA - ZP2 6/15/18</i>	<i>1</i>
2	<b>P2GS015000-N</b>	<b>SEAL KIT, SGL MECH, SC/CA, BUNA - ZP2 6/15/18</b>	<b>1</b>
	<b>P2GX015000-V</b>	<b>SEAL KIT, SGL MECH, ELASTOMERS ONLY, VITON - ZP2 6/15/18</b>	<b>1</b>
	<i>P2GS015000-E</i>	<i>SEAL KIT, SGL MECH, SC/CA, EPDM - ZP2 6/15/18</i>	<i>1</i>
	<i>P2GS015000-V</i>	<i>SEAL KIT, SGL MECH, SC/CA, VITON - ZP2 6/15/18</i>	<i>1</i>
	<i>P2GS015030-V</i>	<i>SEAL KIT, SGL MECH, CE/CE, VITON - ZP2 6/15/18</i>	<i>1</i>
4	<b>P2GS015010-N</b>	<b>SEAL KIT, SGL MECH, SC/SC, BUNA - ZP2 6/15/18</b>	<b>1</b>
	<i>P2GS015010-E</i>	<i>SEAL KIT, SGL MECH, SC/SC, EPDM - ZP2 6/15/18</i>	<i>1</i>
	<i>P2GS015010-V</i>	<i>SEAL KIT, SGL MECH, SC/SC, VITON - ZP2 6/15/18</i>	<i>1</i>
49	<b>P2GX101691</b>	<b>BELLEVILLE WASHER, SS - ZP2 6/15/18/24</b>	<b>2</b>
50	<b>P2SX101804</b>	<b>ROTOR NUT - ZP2 6/15/18/24</b>	<b>2</b>



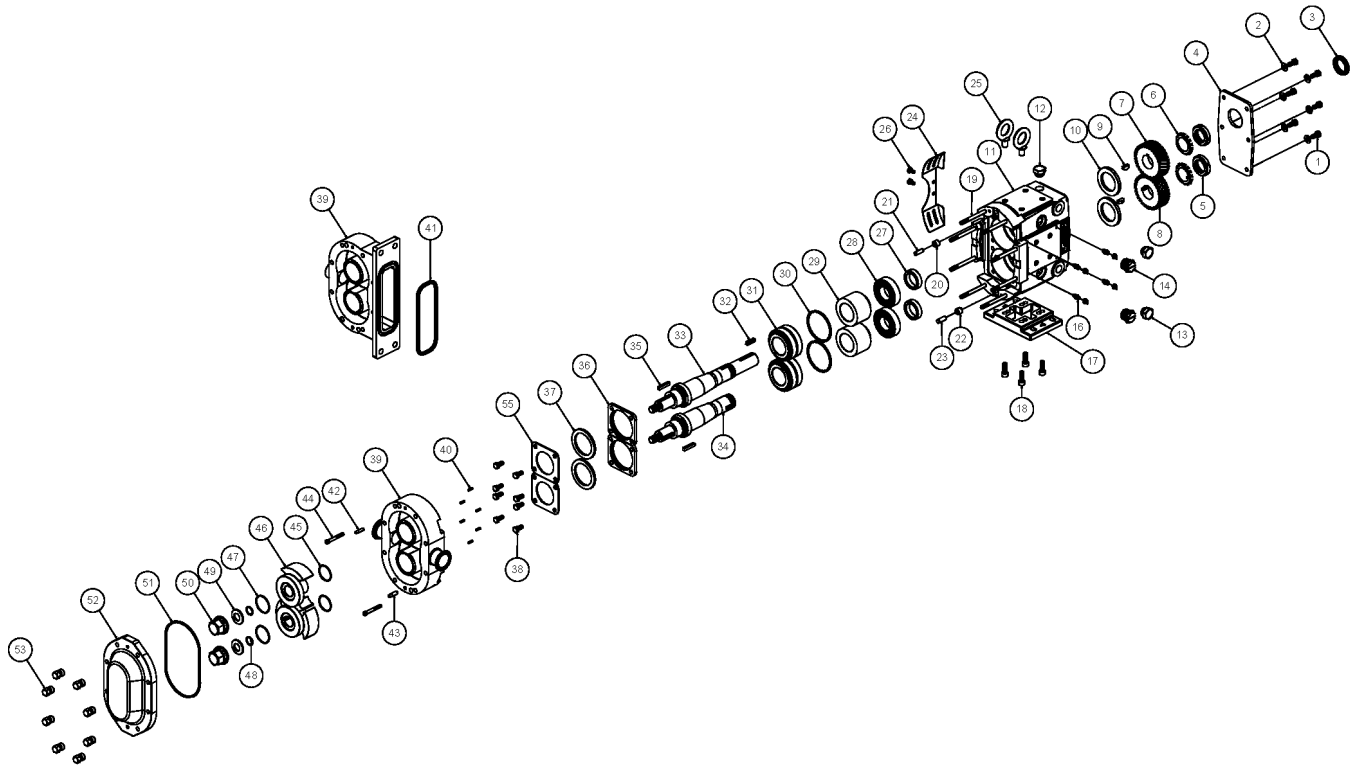
45	Inner Seal O-Ring
47	Rotor Nut O-Ring
48	Retainer O-Ring
51	Cover O-Ring
58	Shaft O-Ring
60*	Outer Seal Wave Spring
61	Outer Seal O-Ring
62*	Outer Seal
63	Rotor Hub O-Ring
56*	Wave Spring
57*	Seal Inner
59*	Seal Seat

\* Not included with Elastomer Only Kits

**Double Mechanical Seal Kit**

*Optional Items Shown in ITALICS*

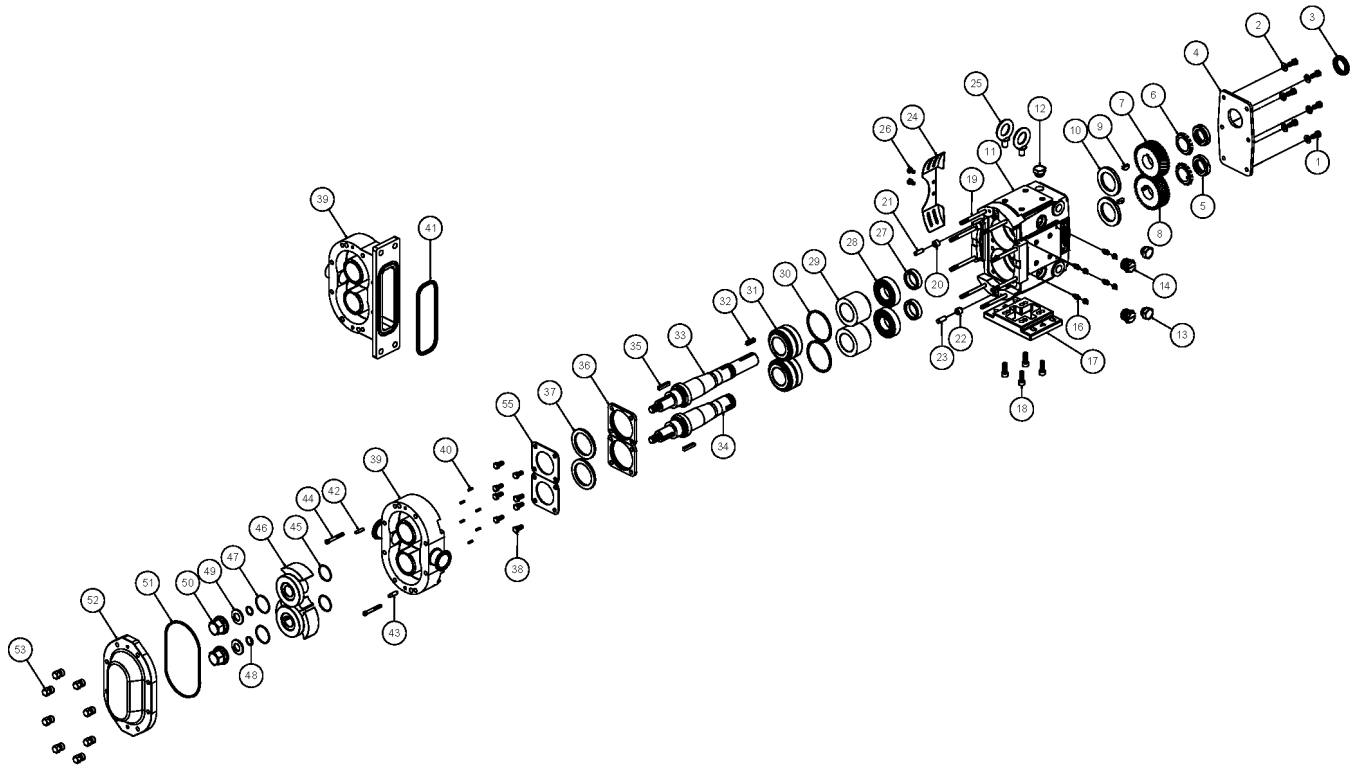
Ref #	Component Item No.	Description	Qty Per
1	P2GX015200-V	SEAL KIT, DBL MECH, ELASTOMERS ONLY, VITON - ZP2 6/15/18	1
3	P2GS015200-N	SEAL KIT, DBL MECH, SC/CA/CA, BUNA - ZP2 6/15/18	1
	P2GS015220-N	SEAL KIT, DBL MECH, CE/CA/CA, BUNA - ZP2 6/15/18	1
	<i>P2GS015220-E</i>	<i>SEAL KIT, DBL MECH, CE/CA/CA, EPDM - ZP2 6/15/18</i>	<i>1</i>
	<i>P2GS015200-E</i>	<i>SEAL KIT, DBL MECH, SC/CA/CA, EPDM - ZP2 6/15/18</i>	<i>1</i>
	<i>P2GS015200-V</i>	<i>SEAL KIT, DBL MECH, SC/CA/CA, VITON - ZP2 6/15/18</i>	<i>1</i>
	<i>P2GX015200-N</i>	<i>SEAL KIT, DBL MECH, ELASTOMERS ONLY, BUNA - ZP2 6/15/18</i>	<i>1</i>
	<i>P2GS015220-V</i>	<i>SEAL KIT, DBL MECH, CE/CA/CA, VITON - ZP2 6/15/18</i>	<i>1</i>
5	P2GS015210-N	SEAL KIT, DBL MECH, SC/SC/CA, BUNA - ZP2 6/15/18	1
	<i>P2GS015210-E</i>	<i>SEAL KIT, DBL MECH, SC/SC/CA, EPDM - ZP2 6/15/18</i>	<i>1</i>
	<i>P2GS015210-V</i>	<i>SEAL KIT, DBL MECH, SC/SC/CA, VITON - ZP2 6/15/18</i>	<i>1</i>
49	P2GX101691	BELLEVILLE WASHER, SS - ZP2 6/15/18/24	2
50	P2SX101804	ROTOR NUT - ZP2 6/15/18/24	2



**Exploded View**

*Optional Items Shown in ITALICS*

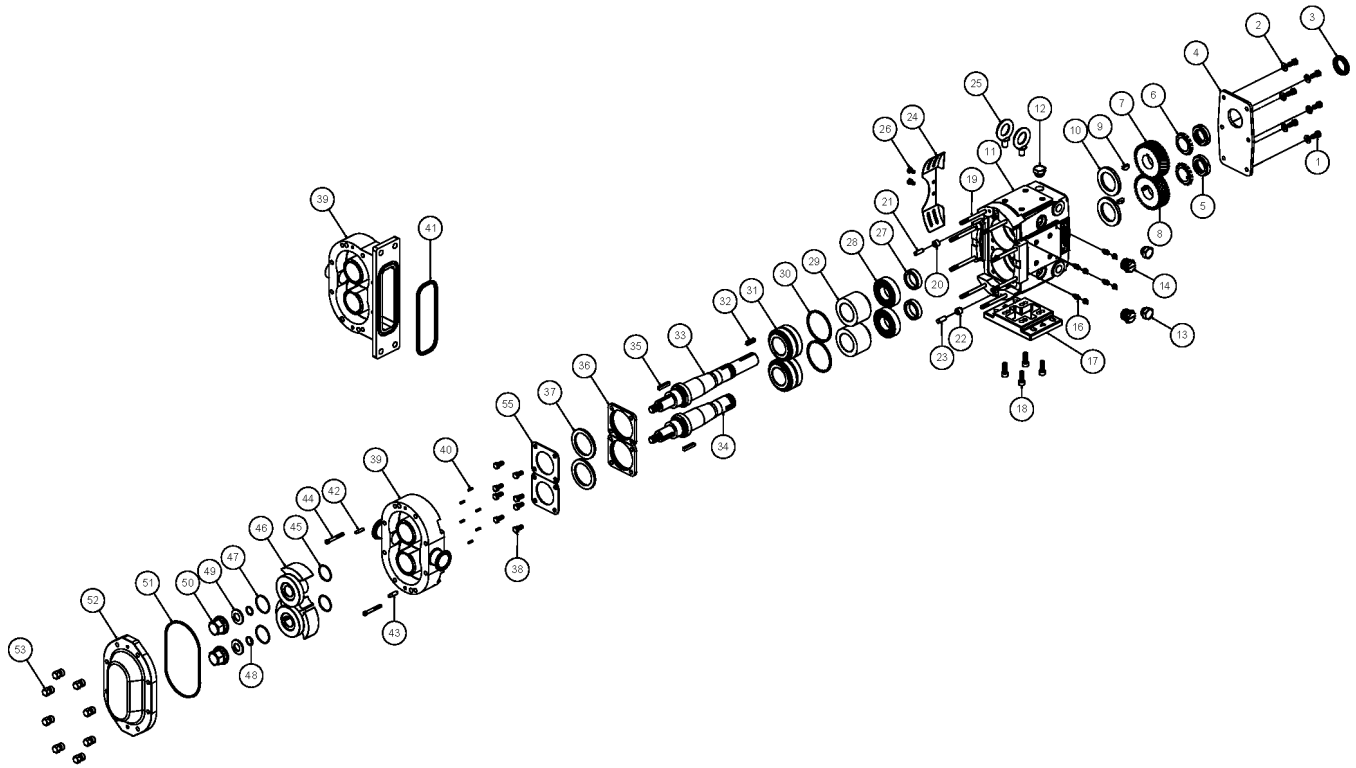
Ref #	Component Item No.	Description	Qty Per
1	P1GX30-58	1/4-20 X 3/4" HHCS, G.CASE COVER, SS - ZP1 & ZP2 6/15/18/30/	6
2	P1GX43-108	FLAT WASHER, G CASE COVER, 1/4 X 5/8 OD, SS - ZP1 & ZP2 6/15	6
3	P1GX000030016	OIL SEAL, GEAR CASE COVER - ZP1 & ZP2 6/15/18	1
4	P1SX020106000	GEAR CASE COVER, SS - ZP1 & ZP2 6/15/18/24	1
5	P1GXSTD236005	GEAR LOCK NUT - ZP1 & ZP2 6/15/18	2
6	P1GXSTD136005	GEAR LOCKWASHER ZP1 & ZP2 6/15/18	2
7	P1GX015007001	GEAR DRIVE SHAFT ZP1 & ZP2 6/15/18	1
8	P1GX015007002	GEAR SHORT SHAFT ZP1 & ZP2 6/15/18	1
9	P1GX015037000	GEAR KEY - ZP1 & ZP2 6/15/18/24	2
10	P1GX000030017	OIL SEAL, REAR - ZP1 & ZP2 6/15/18	2
11	P1SX020005000	GEAR CASE, SS - ZP1 & ZP2 6/15/18/24	1
12	P1GX115798	PLUG,HEX,20M X1.5,W/NBR SEAL	5
13	P1GX115799	GAUGE,OIL,LVL,INDIC,M-20X1.5	1
14	P1GX20PLUG-SS	CLEANOUT PLUG, SS - ZP1 6/15/18	4
	<i>P1GX20PLUG</i>	<i>CLEANOUT PLUG, YELLOW - ZP1 6/15/18</i>	4
16	P1GXBD0092001	GREASE FITTING, THREADED 1/4"-28 TAPER, SS	8
17	P1SX020110000	GEAR CASE BASE, SS - ZP1 & ZP2 6/15/18/24	1
18	P1GX15SHCSGCB	SHCS, G. CASE BASE, (18-8 SS) 5/16-18 X 3/4 - ZP1 & ZP2 6/15	4
19	P2GX101721	STUD, ZP2 18	8
	<i>P1GXAD0011100</i>	<i>STUD, JACKETED COVER, ZP2 18</i>	8
20	P1GXAD0116000	UPPER DOWEL BUSHING - ZP1 & ZP2 6/15/18	1
21	P1GX124581	DOWEL PIN - ZP1 & ZP2 6/15/18/24	1
22	P1GXAD0116100	LOWER DOWEL BUSHING - ZP1 & ZP2 6/15/18	1
23	P1GX124582	DOWEL PIN - ZP1 & ZP2 45/60/64/130/134	1
24	P1SX020CEGUARD	GUARD,6-24,(CE),GC,SS	2
26	P1GX000CENAIL	DRIVENAIL,ZP,GEAR CASE GUARDS	4
27	P1GX015055000	GEAR TO REAR BEARING SPACER - ZP1 & ZP2 6/15/18/24	2



**Exploded View**

*Optional Items Shown in ITALICS*

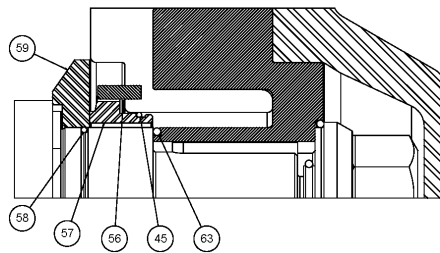
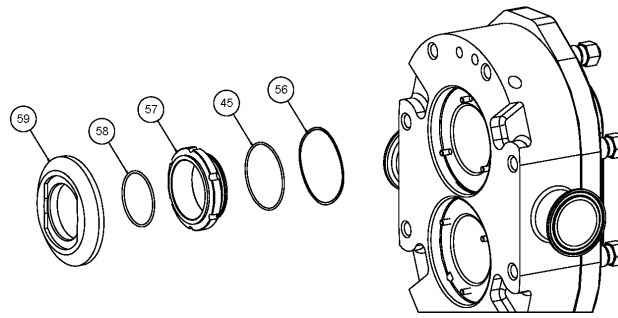
Ref #	Component Item No.	Description	Qty Per
28	P1GX015035000	REAR BEARING - ZP1 & ZP2 6/14/15/18/24	2
29	P1GX101814	BEARING SPACER - ZP1 & ZP2 6/15/18/24	2
30	P1GX117889	SHIM KIT - ZP1 & ZP2 6/15/18/24	2
31	P1GX101714	FRONT BEARING - ZP1 & ZP2 6/14/15/18/24	2
32	P1GX000037001	DRIVE KEY, 3/16 SQ. X 1-1/8" - ZP1 & ZP2 6/15/18	1
33	P2SX108407	DRIVE SHAFT (17-4PH) - ZP2 18	1
34	P2SX108408	SHORT SHAFT (17-4PH) - ZP2 18	1
35	P2SX101819	ROTOR KEY - ZP2 18	2
36	P1SX120332	BEARING RETAINER, NEW STYLE 3A - ZP1 & ZP2 6/15/18/24	2
37	P1GX121679	GREASE SEAL FRONT BEARING RET. 3A - ZP1 & ZP2 6/15/18	2
38	P1GX30-58BHCS	1/4-20 x 3/8" BUTTON HEAD CAP SCREW, SS	8
39	P2BDY018001000	BODY - ZP2 18	1
	<i>P2BDY018001F00</i>	<i>BODY - ZP2 18 - FLUSHED</i>	1
40	P2GX101718	STOP PIN,SEAL - ZP2 6/15/18/24	6
42	P1GX124581	DOWEL PIN - ZP1 & ZP2 6/15/18/24	1
43	P1GX124582	DOWEL PIN - ZP1 & ZP2 45/60/64/130/134	1
44	P1GX18RETSCREW	CAPSCRW,SH,1/4-20X1-3/4,18-8SS ZP1 SCKT HD	2
45	N70028	O-RING, INNER SEAL (BUNA) - ZP2 6/15/18	2
	<i>E70028</i>	<i>O-RING, INNER SEAL (EPDM) - ZP2 6/15/18</i>	2
	<i>V70028</i>	<i>O-RING, INNER SEAL (VITON) - ZP2 6/15/18</i>	2
46	P2RTB018010000	ROTOR TWIN BLADE - ZP2 18 (STD) - ALLOY 88	2
	<i>P2RTB01801000H</i>	<i>ROTOR TWIN BLADE - ZP2 18 (STD) - ALLOY 88 - HOT CLEARANCE</i>	2
47	N70126	O-RING, ROTOR NUT (BUNA) - ZP2 6/15/18	2
	<i>E70126</i>	<i>O-RING, ROTOR NUT (EPDM) - ZP2 6/15/18</i>	2
	<i>V70126</i>	<i>O-RING, ROTOR NUT (VITON) - ZP2 6/15/18</i>	2
48	N70112	O-RING, RETAINER (BUNA) - ZP2 6/15/18	2
	<i>E70112</i>	<i>O-RING, RETAINER (EPDM) - ZP2 6/15/18</i>	2



**Exploded View**

*Optional Items Shown in ITALICS*

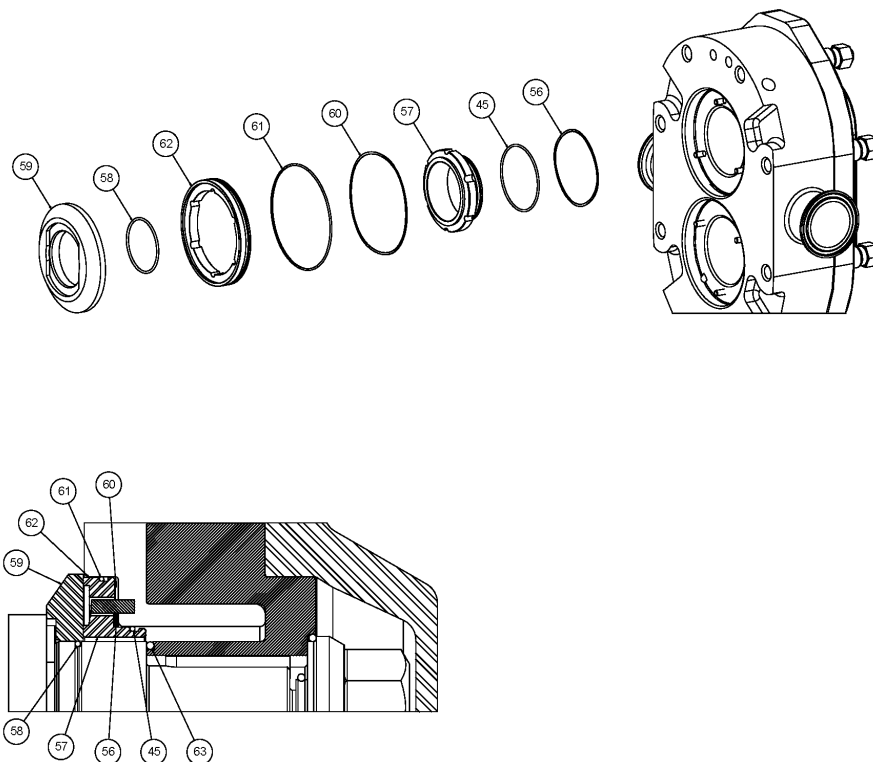
Ref #	Component Item No.	Description	Qty Per
48	V70112	O-RING, RETAINER (VITON) - ZP2 6/15/18	2
49	P2GX101691	BELLEVILLE WASHER, SS - ZP2 6/15/18/24	2
50	P2SX101804	ROTOR NUT - ZP2 6/15/18/24	2
51	N70249	O-RING, COVER (BUNA) - ZP2 6/15/18	1
	<i>E70249</i>	<i>O-RING, COVER (EPDM) - ZP2 6/15/18</i>	<i>1</i>
	<i>V70249</i>	<i>O-RING, COVER (VION) - ZP2 6/15/18</i>	<i>1</i>
52	P2CVR101842	COVER - ZP2 6/15/18/24	1
	<i>P2CVR107664</i>	<i>COVER, JACKETED - ZP2 6/15/18/24</i>	<i>1</i>
53	P1SX108369	COVER HEX NUT - ZP1 & ZP2 6/15/18/24	8
	<i>P1GX105850</i>	<i>WING NUT - ZP1 &amp; ZP2 6/15/18</i>	<i>8</i>
55	P1SX020SPLATE	BEARING RETAINER SPLASH PLATE - ZP1 & ZP2 6/15/18	2



**Single Mechanical Seal**

*Optional Items Shown in ITALICS*

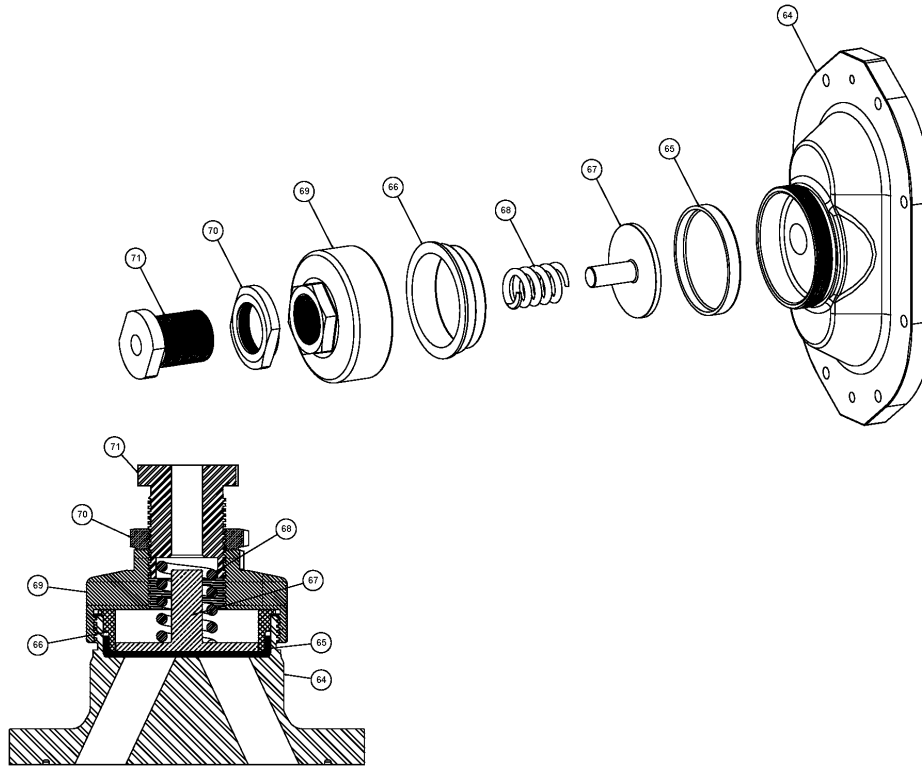
Ref #	Component Item No.	Description	Qty Per
45	<b>N70028</b>	<b>O-RING, INNER SEAL (BUNA) - ZP2 6/15/18</b>	<b>2</b>
	<i>E70028</i>	<i>O-RING, INNER SEAL (EPDM) - ZP2 6/15/18</i>	2
	<i>V70028</i>	<i>O-RING, INNER SEAL (VITON) - ZP2 6/15/18</i>	2
56	<b>P2GS101683</b>	<b>INNER SEAL WAVE SPRING - ZP2 6/15/18</b>	<b>2</b>
57	<b>P2GS101653</b>	<b>INNER SEAL (C) - ZP2 6/15/18/24</b>	<b>2</b>
	<i>P2GS101652</i>	<i>INNER SEAL (K) - ZP2 6/15/18/24</i>	2
	<i>P2GS101651</i>	<i>INNER SEAL (N) - ZP2 6/15/18/24</i>	2
58	<b>N70024</b>	<b>O-RING, SHAFT (BUNA) - ZP2 6/15/18</b>	<b>2</b>
	<i>E70024</i>	<i>O-RING, SHAFT (EPDM) - ZP2 6/15/18</i>	2
	<i>V70024</i>	<i>O-RING, SHAFT (VITON) - ZP2 6/15/18</i>	2
59	<b>P2GS101668</b>	<b>SEAL SEAT (C) ZP2 6/15/18/24</b>	<b>2</b>
	<i>P2GS101667</i>	<i>SEAL SEAT (K) ZP2 6/15/18/24</i>	2
63	<b>N70121</b>	<b>O-RING, ROTOR HUB (BUNA) - ZP2 6/15/18</b>	<b>2</b>
	<i>E70121</i>	<i>O-RING, ROTOR HUB (EPDM) - ZP2 6/15/18</i>	2
	<i>V70121</i>	<i>O-RING, ROTOR HUB (VITON) - ZP2 6/15/18</i>	2



**Double Mechanical Seal**

*Optional Items Shown in ITALICS*

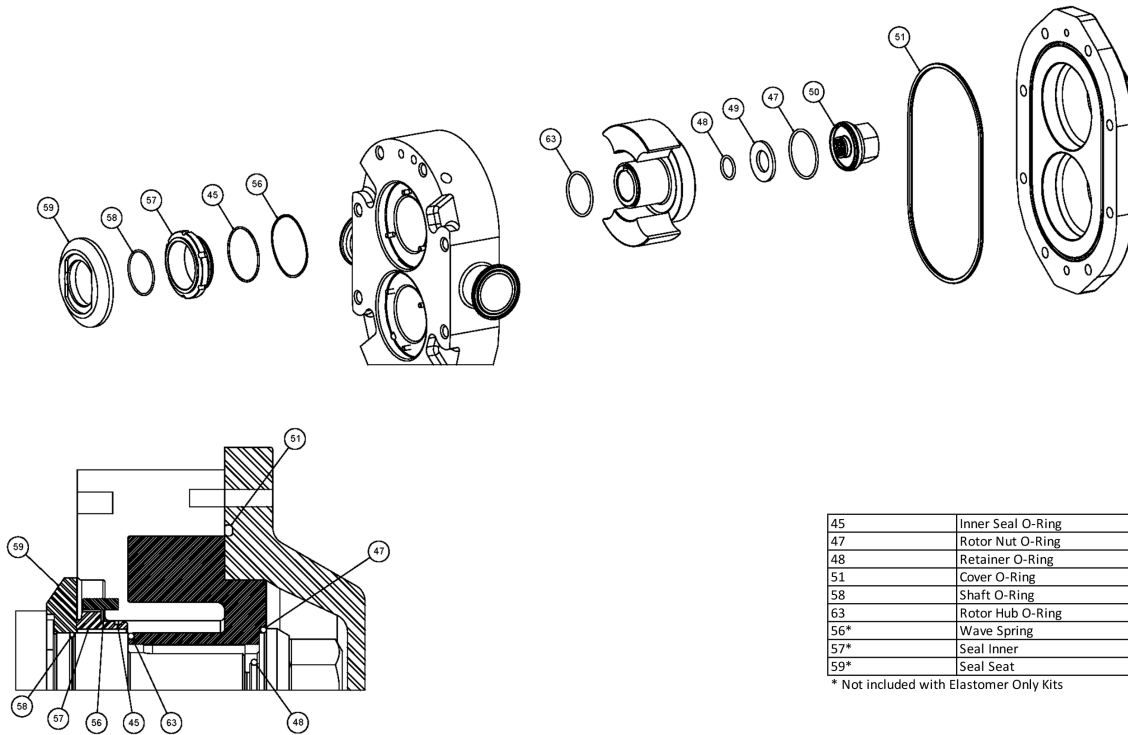
Ref #	Component Item No.	Description	Qty Per
45	<b>N70028</b>	<b>O-RING, INNER SEAL (BUNA) - ZP2 6/15/18</b>	<b>2</b>
	<i>E70028</i>	<i>O-RING, INNER SEAL (EPDM) - ZP2 6/15/18</i>	2
	<i>V70028</i>	<i>O-RING, INNER SEAL (VITON) - ZP2 6/15/18</i>	2
56	<b>P2GS101683</b>	<b>INNER SEAL WAVE SPRING - ZP2 6/15/18</b>	<b>2</b>
57	<b>P2GS101653</b>	<b>INNER SEAL (C) - ZP2 6/15/18/24</b>	<b>2</b>
	<i>P2GS101652</i>	<i>INNER SEAL (K) - ZP2 6/15/18/24</i>	2
	<i>P2GS101651</i>	<i>INNER SEAL (N) - ZP2 6/15/18/24</i>	2
58	<b>N70024</b>	<b>O-RING, SHAFT (BUNA) - ZP2 6/15/18</b>	<b>2</b>
	<i>E70024</i>	<i>O-RING, SHAFT (EPDM) - ZP2 6/15/18</i>	2
	<i>V70024</i>	<i>O-RING, SHAFT (VITON) - ZP2 6/15/18</i>	2
59	<b>P2GS101668</b>	<b>SEAL SEAT (C) ZP2 6/15/18/24</b>	<b>2</b>
	<i>P2GS101667</i>	<i>SEAL SEAT (K) ZP2 6/15/18/24</i>	2
60	<b>P2GS101684</b>	<b>OUTER SEAL WAVE SPRING - ZP2 6/15/18</b>	<b>2</b>
61	<b>N70035</b>	<b>O-RING, OUTER SEAL (BUNA) - ZP2 6/15/18</b>	<b>2</b>
	<i>E70035</i>	<i>O-RING, OUTER SEAL (EPDM) - ZP2 6/15/18</i>	2
	<i>V70035</i>	<i>O-RING, OUTER SEAL (VITON) - ZP2 6/15/18</i>	2
62	<b>P2GS101679</b>	<b>OUTER SEAL (N) - ZP2 6/15/18</b>	<b>2</b>
63	<b>N70121</b>	<b>O-RING, ROTOR HUB (BUNA) - ZP2 6/15/18</b>	<b>2</b>
	<i>E70121</i>	<i>O-RING, ROTOR HUB (EPDM) - ZP2 6/15/18</i>	2
	<i>V70121</i>	<i>O-RING, ROTOR HUB (VITON) - ZP2 6/15/18</i>	2



**Pressure Relief Cover**

*Optional Items Shown in ITALICS*

Ref #	Component Item No.	Description	Qty Per
64	P2CVR103669	VENTED FRONT COVER, ZP2 - 6/15/18	1
65	P1GXAD0078000	RUBBER DIAPHRAGM, BUNA, ZP1 & ZP2 & ZP3 - 6/15/18/30/34/40	1
	<i>P1GXAD0078EPO</i>	<i>RUBBER DIAPHRAGM, EPDM, ZP1 &amp; ZP2 &amp; ZP3 - 6/15/18/30/34/40</i>	1
	<i>P1GXAD0078V00</i>	<i>RUBBER DIAPHRAGM, VITON, ZP1 &amp; ZP2 &amp; ZP3 - 6/15/18/30/34/40</i>	1
66	P1SXAD0077000	DIAPHRAGM BUSHING, ZP1 & ZP2 & ZP3 - 6/15/18/30/34/40	1
67	P1SXAD0073000	SPRING PLUNGER, ZP1 & ZP2 & ZP3 - 6/15/18/30/34/40	1
68	P1SXAD0076000	SPRING, MEDIUM, (LESS THAN 150 PSI), ZP1 & ZP2 & ZP3 - 6/15/18/30/34/40	1
	<i>P1SXABB076100</i>	<i>SPRING, HIGH, (MORE THAN 150 PSI), ZP1 &amp; ZP2 &amp; ZP3 - 6/15/18/30/34/40</i>	1
69	P1SXAD0075000	COVER NUT, ZP1 & ZP2 & ZP3 - 6/15/18/30/34/40	1
70	P1SXAD0074000	LOCKNUT, ZP1 & ZP2 & ZP3 - 6/15/18/30/34/40	1
71	P1SXAD0072000	ADJUSTING SCREW, ZP1 & ZP2 & ZP3 - 6/15/18/30/34/40	1



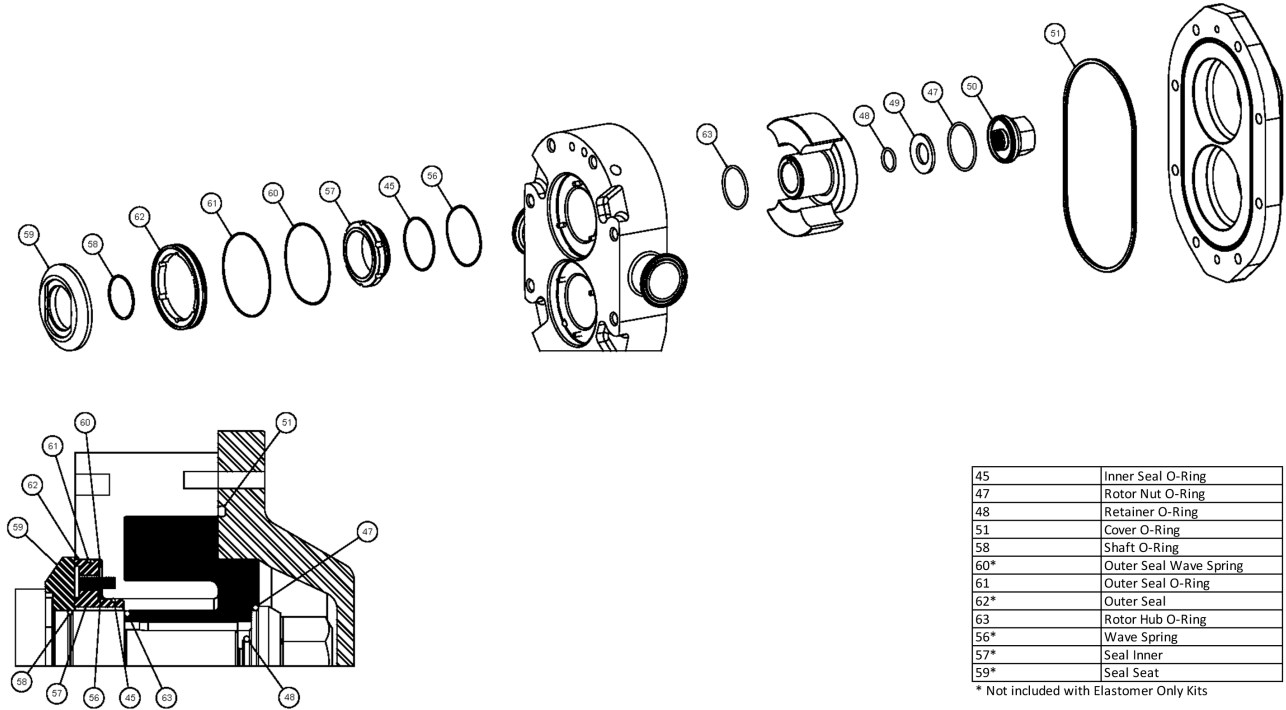
45	Inner Seal O-Ring
47	Rotor Nut O-Ring
48	Retainer O-Ring
51	Cover O-Ring
58	Shaft O-Ring
63	Rotor Hub O-Ring
56*	Wave Spring
57*	Seal Inner
59*	Seal Seat

\* Not included with Elastomer Only Kits

**Single Mechanical Seal Kit**

*Optional Items Shown in ITALICS*

Ref #	Component Item No.	Description	Qty Per
1	<b>P2GS015020-N</b>	<b>SEAL KIT, SGL MECH, CE/CA, BUNA - ZP2 6/15/18</b>	<b>1</b>
	<i>P2GX015000-E</i>	<i>SEAL KIT, SGL MECH, ELASTOMERS ONLY, EPDM - ZP2 6/15/18</i>	<i>1</i>
	<i>P2GS015020-E</i>	<i>SEAL KIT, SGL MECH, CE/CA, EPDM - ZP2 6/15/18</i>	<i>1</i>
	<i>P2GS015020-V</i>	<i>SEAL KIT, SGL MECH, CE/CA, VITON - ZP2 6/15/18</i>	<i>1</i>
	<i>P2GX015000-N</i>	<i>SEAL KIT, SGL MECH, ELASTOMERS ONLY, BUNA - ZP2 6/15/18</i>	<i>1</i>
2	<b>P2GS015000-N</b>	<b>SEAL KIT, SGL MECH, SC/CA, BUNA - ZP2 6/15/18</b>	<b>1</b>
	<b>P2GX015000-V</b>	<b>SEAL KIT, SGL MECH, ELASTOMERS ONLY, VITON - ZP2 6/15/18</b>	<b>1</b>
	<i>P2GS015000-E</i>	<i>SEAL KIT, SGL MECH, SC/CA, EPDM - ZP2 6/15/18</i>	<i>1</i>
	<i>P2GS015000-V</i>	<i>SEAL KIT, SGL MECH, SC/CA, VITON - ZP2 6/15/18</i>	<i>1</i>
	<i>P2GS015030-V</i>	<i>SEAL KIT, SGL MECH, CE/CE, VITON - ZP2 6/15/18</i>	<i>1</i>
4	<b>P2GS015010-N</b>	<b>SEAL KIT, SGL MECH, SC/SC, BUNA - ZP2 6/15/18</b>	<b>1</b>
	<i>P2GS015010-E</i>	<i>SEAL KIT, SGL MECH, SC/SC, EPDM - ZP2 6/15/18</i>	<i>1</i>
	<i>P2GS015010-V</i>	<i>SEAL KIT, SGL MECH, SC/SC, VITON - ZP2 6/15/18</i>	<i>1</i>
49	<b>P2GX101691</b>	<b>BELLEVILLE WASHER, SS - ZP2 6/15/18/24</b>	<b>2</b>
50	<b>P2SX101804</b>	<b>ROTOR NUT - ZP2 6/15/18/24</b>	<b>2</b>



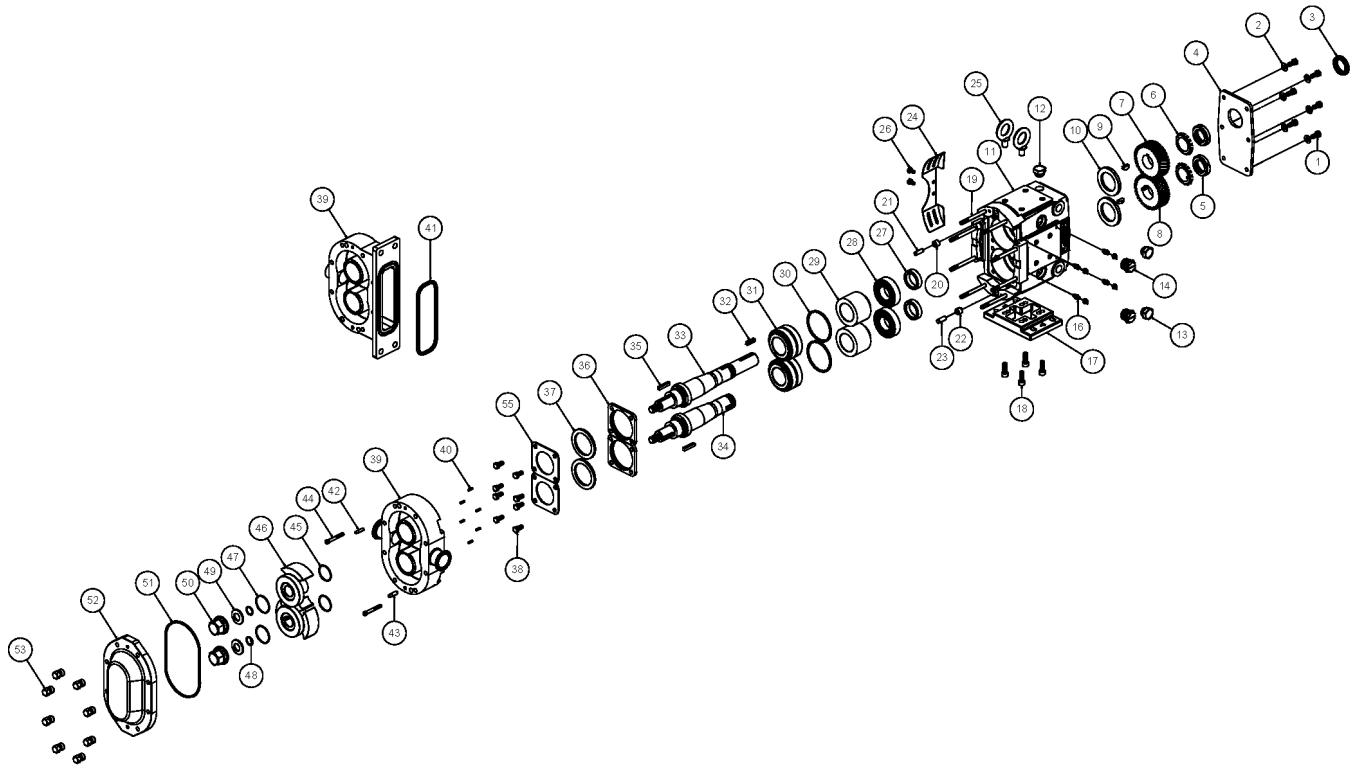
45	Inner Seal O-Ring
47	Rotor Nut O-Ring
48	Retainer O-Ring
51	Cover O-Ring
58	Shaft O-Ring
60*	Outer Seal Wave Spring
61	Outer Seal O-Ring
62*	Outer Seal
63	Rotor Hub O-Ring
56*	Wave Spring
57*	Seal Inner
59*	Seal Seat

\* Not included with Elastomer Only Kits

**Double Mechanical Seal Kit**

*Optional Items Shown in ITALICS*

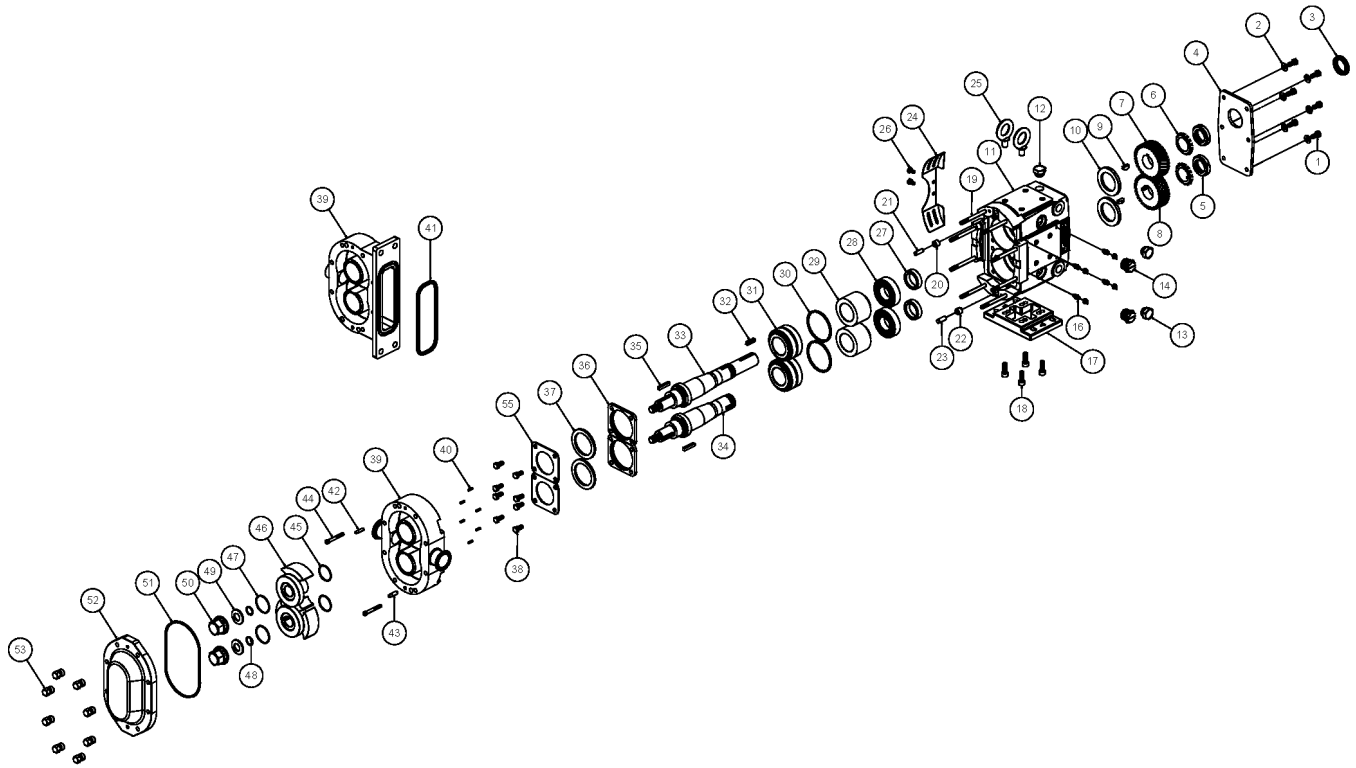
Ref #	Component Item No.	Description	Qty Per
1	<b>P2GX015200-V</b>	<b>SEAL KIT, DBL MECH, ELASTOMERS ONLY, VITON - ZP2 6/15/18</b>	<b>1</b>
3	<b>P2GS015220-N</b>	<b>SEAL KIT, DBL MECH, CE/CA/CA, BUNA - ZP2 6/15/18</b>	<b>1</b>
	<b>P2GS015200-N</b>	<b>SEAL KIT, DBL MECH, SC/CA/CA, BUNA - ZP2 6/15/18</b>	<b>1</b>
	<i>P2GS015200-E</i>	<i>SEAL KIT, DBL MECH, SC/CA/CA, EPDM - ZP2 6/15/18</i>	<i>1</i>
	<i>P2GS015220-E</i>	<i>SEAL KIT, DBL MECH, CE/CA/CA, EPDM - ZP2 6/15/18</i>	<i>1</i>
	<i>P2GS015220-V</i>	<i>SEAL KIT, DBL MECH, CE/CA/CA, VITON - ZP2 6/15/18</i>	<i>1</i>
	<i>P2GS015200-V</i>	<i>SEAL KIT, DBL MECH, SC/CA/CA, VITON - ZP2 6/15/18</i>	<i>1</i>
	<i>P2GX015200-N</i>	<i>SEAL KIT, DBL MECH, ELASTOMERS ONLY, BUNA - ZP2 6/15/18</i>	<i>1</i>
5	<b>P2GS015210-N</b>	<b>SEAL KIT, DBL MECH, SC/SC/CA, BUNA - ZP2 6/15/18</b>	<b>1</b>
	<i>P2GS015210-E</i>	<i>SEAL KIT, DBL MECH, SC/SC/CA, EPDM - ZP2 6/15/18</i>	<i>1</i>
	<i>P2GS015210-V</i>	<i>SEAL KIT, DBL MECH, SC/SC/CA, VITON - ZP2 6/15/18</i>	<i>1</i>
49	<b>P2GX101691</b>	<b>BELLEVILLE WASHER, SS - ZP2 6/15/18/24</b>	<b>2</b>
50	<b>P2SX101804</b>	<b>ROTOR NUT - ZP2 6/15/18/24</b>	<b>2</b>



**Exploded View**

*Optional Items Shown in ITALICS*

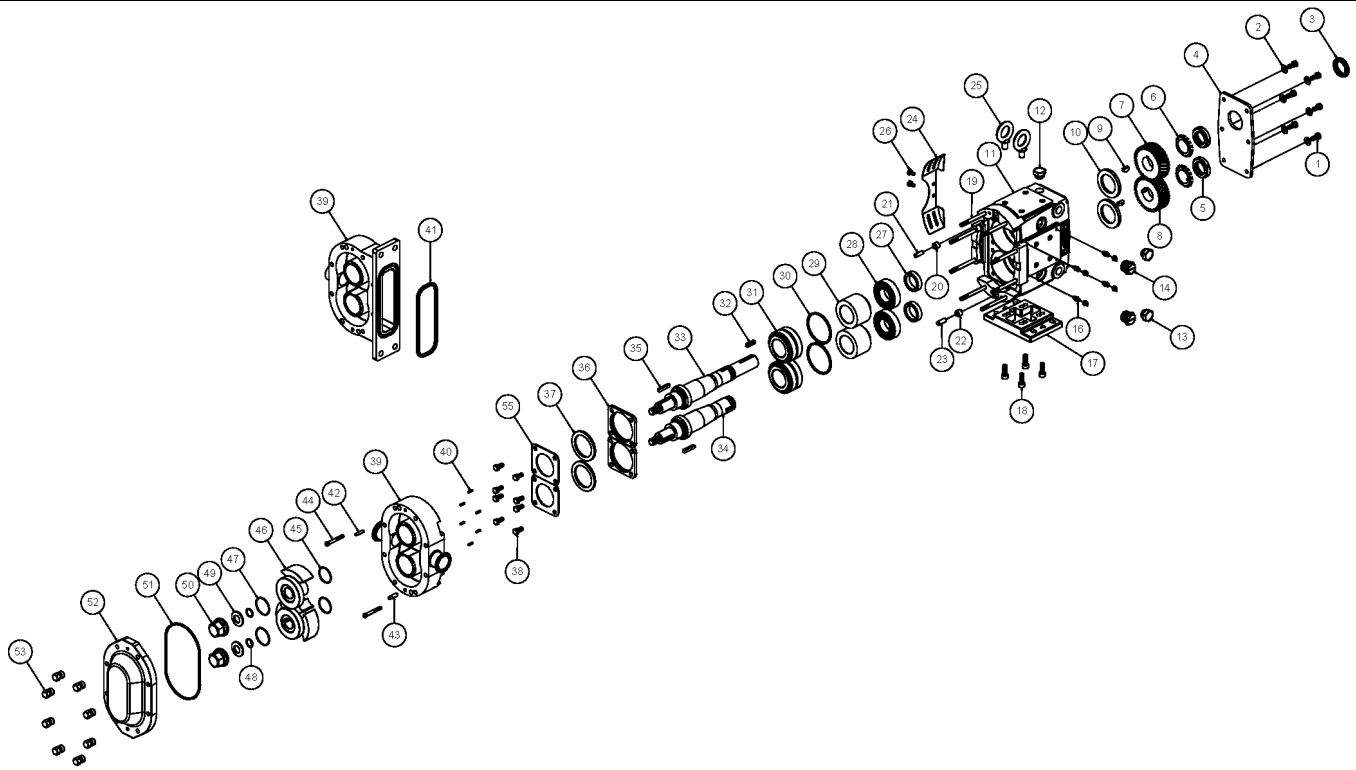
Ref #	Component Item No.	Description	Qty Per
1	P1GX30-58	1/4-20 X 3/4" HHCS, G.CASE COVER, SS - ZP1 & ZP2 6/15/18/30/	6
2	P1GX43-108	FLAT WASHER, G CASE COVER, 1/4 X 5/8 OD, SS - ZP1 & ZP2 6/15	6
3	P1GX000030013	OIL SEAL, GEAR CASE COVER - ZP1 & ZP2 30/34	1
4	P1SX040106000	GEAR CASE COVER, SS - ZP1 & ZP2 30/34	1
5	P1GXCD0036N00	GEAR LOCKNUT ZP1 & ZP2 30/34	2
6	P1GXCD0036W00	GEAR LOCKWASHER ZP2 30/34	2
7	P1GX030007001	GEAR DRIVE SHAFT ZP1 & ZP2 30/34	1
8	P1GX030007002	GEAR SHORT SHAFT ZP1 & ZP2 30/34	1
9	P1GXBD0037000	GEAR KEY - ZP1 & ZP2 30/34	2
10	P1GX000030014	OIL SEAL, REAR - ZP1 & ZP2 30/34	2
11	P1SX040005000	GEAR CASE, SS - ZP1 & ZP2 30/34	1
12	P1GX115798	PLUG,HEX,20M X1.5,W/NBR SEAL	5
13	P1GX115799	GAUGE,OIL,LVL,INDIC,M-20X1.5	1
14	P1GX70PLUG-SS	CLEAN OUT PLUG, SS - ZP1 & ZP2 30/34	4
	<i>P1GX70PLUG</i>	<i>CLEAN OUT PLUG, YELLOW - ZP1 &amp; ZP2 30/34</i>	4
16	P1GXBD0092001	GREASE FITTING, THREADED 1/4"-28 TAPER, SS	8
17	P1SX040110000	GEAR CASE BASE, SS - ZP1 & ZP2 30/34	1
18	P1GX30SHCSGCB	SHCS, G. CASE BASE, (18-8 SS) 3/8-16 X 1 - ZP1 & ZP2 30/34	4
19	P1GX108842	STUD, ZP2 30	8
	<i>P1GX108845</i>	<i>STUD, JACKETED COVER, ZP2 30</i>	8
20	P1GXBD0116000	UPPER DOWEL BUSHING - ZP1 & ZP2 30/34	1
21	P1GX124582	DOWEL PIN - ZP1 & ZP2 45/60/64/130/134	1
22	P1GXBD0116100	LOWER DOWEL BUSHING - ZP1 & ZP2 30/34	1
23	P1GX124583	DOWEL PIN - ZP1 & ZP2 45/60/64/130/134	1
24	P1SX040CEGUARD	GUARD,30/34,(CE),GC,,SS	2
26	P1GX000CENAIL	DRIVENAIL,ZP,GEAR CASE GUARDS	4
27	P1GX030055000	GEAR TO REAR BEARING SPACER - ZP1 & ZP2 30/33/34	2



**Exploded View**

*Optional Items Shown in ITALICS*

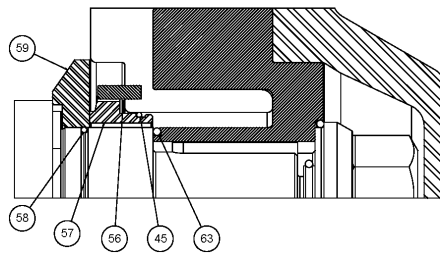
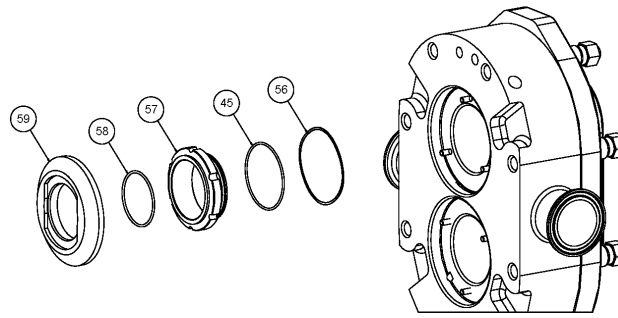
Ref #	Component Item No.	Description	Qty Per
28	P1GX030035000	REAR BEARING - ZP1 & ZP2 30/33/34	2
29	P1GX101815	BEARING SPACER - ZP1 & ZP2 30/33/34	2
30	P1GX117890	SHIM KIT - ZP1 & ZP2 30/34	2
31	P1GX101715	FRONT BEARING - ZP1 & ZP2 30/33/34	2
32	P1GX000037002	DRIVE KEY, 1/4" SQ. X 1" - ZP1 & ZP2 30/34	1
33	P2SX108409	DRIVE SHAFT (17-4PH) - ZP2 30/34	1
34	P2SX108410	SHORT SHAFT (17-4PH) - ZP2 30/34	1
35	P2SX101821	ROTOR KEY - ZP2 30/34/40	2
36	P1SX120333	BEARING RETAINER, NEW STYLE - ZP1 & ZP2 30/34	2
37	P1GX121680	GREASE SEAL FRONT BEARING RET. 3A - ZP1 & ZP2 30/34	2
38	P1GX30-283	5/16-18 X 3/4" HX HD CAP SCREW, SS -ZP1 & ZP2 30	8
39	P2BDY030001000	BODY - ZP2 30	1
	<i>P2BDY030001F00</i>	<i>BODY - ZP2 30 - FLUSHED</i>	1
40	P2GX101719	STOP PIN,SEAL - ZP2 30/34	6
42	P1GX124581	DOWEL PIN - ZP1 & ZP2 6/15/18/24	1
43	P1GX124582	DOWEL PIN - ZP1 & ZP2 45/60/64/130/134	1
44	P1GX30-211	CAPSCRW,SH,1/4-2 X2,18-8SS SCKT HD	2
45	N70031	O-RING, INNER SEAL (BUNA) - ZP2 30/34	2
	<i>E70031</i>	<i>O-RING, INNER SEAL (EPDM) - ZP2 30/34</i>	2
	<i>V70031</i>	<i>O-RING, INNER SEAL (VITON) - ZP2 30/34</i>	2
46	P2RTB030010000	ROTOR TWIN BLADE - ZP2 30/34 (STD) - ALLOY 88	2
	<i>P2RTB03001000H</i>	<i>ROTOR TWIN BLADE - ZP2 30/34 (STD) - ALLOY 88 - HOT CLEARANCE</i>	2
	<i>P2RTB0300100HC</i>	<i>ROTOR TWIN BLADE - ZP2 30/34 (STD) - ALLOY 88 - HOT CHOCOLATE</i>	2
	<i>P2RTB030010200</i>	<i>ROTOR TWIN BLADE - ZP2 30/34 (STD) - 316L</i>	2
47	N70130	O-RING, ROTOR NUT (BUNA) - ZP2 30/34	2
	<i>E70130</i>	<i>O-RING, ROTOR NUT (EPDM) - ZP2 30/34</i>	2
	<i>V70130</i>	<i>O-RING, ROTOR NUT (VITON) - ZP2 30/34</i>	2



**Exploded View**

*Optional Items Shown in ITALICS*

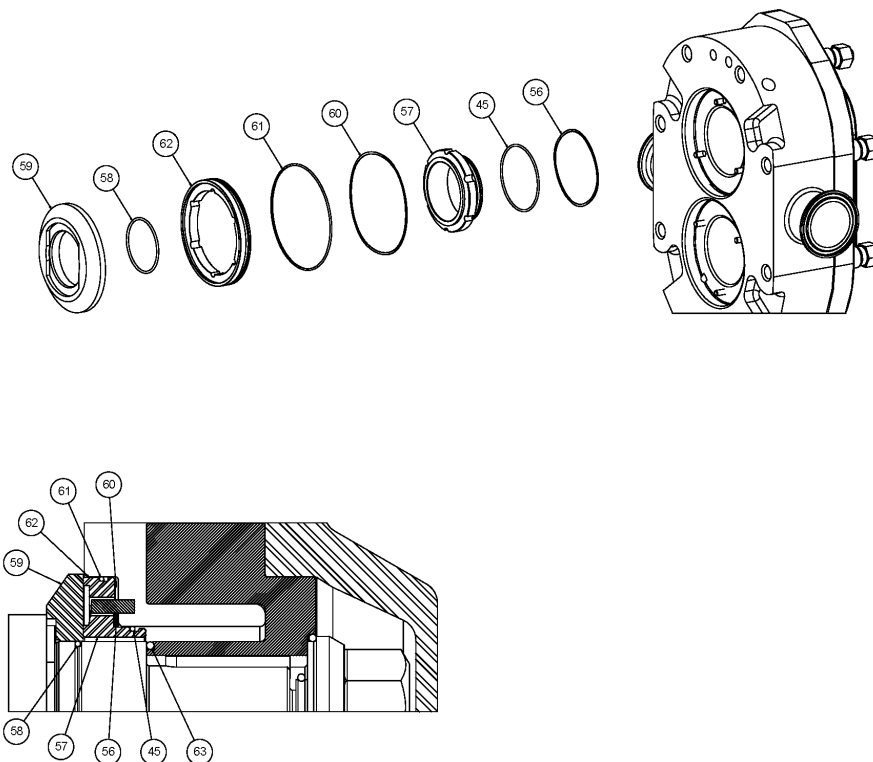
Ref #	Component Item No.	Description	Qty Per
48	<b>N70115</b>	<b>O-RING, RETAINER (BUNA) - ZP2 30/34</b>	<b>2</b>
	<i>E70115</i>	<i>O-RING, RETAINER (EPDM) - ZP2 30/34</i>	<i>2</i>
	<i>V70115</i>	<i>O-RING, RETAINER (VITON) - ZP2 30/34</i>	<i>2</i>
49	<b>P2GX101692</b>	<b>BELLEVILLE WASHER, SS - ZP2 30/34</b>	<b>2</b>
50	<b>P2SX101805</b>	<b>ROTOR NUT - ZP2 30/34</b>	<b>2</b>
51	<b>N70259</b>	<b>O-RING, COVER (BUNA) - ZP2 30/34</b>	<b>1</b>
	<i>E70259</i>	<i>O-RING, COVER (EPDM) - ZP2 30/34</i>	<i>1</i>
	<i>V70259</i>	<i>O-RING, COVER (VITON) - ZP2 30/34</i>	<i>1</i>
52	<b>P2CVR101845</b>	<b>COVER - ZP2 30/34</b>	<b>1</b>
	<i>P2CVR107666</i>	<i>COVER, JACKETED - ZP2 30/34</i>	<i>1</i>
53	<b>P1SX108370</b>	<b>COVER HEX NUT - ZP1 &amp; ZP2 30/34</b>	<b>8</b>
55	<b>P1SX040SPLATE</b>	<b>BEARING RETAINER SPLASH PLATE - ZP1 &amp; ZP2 30/34</b>	<b>2</b>



**Single Mechanical Seal**

*Optional Items Shown in ITALICS*

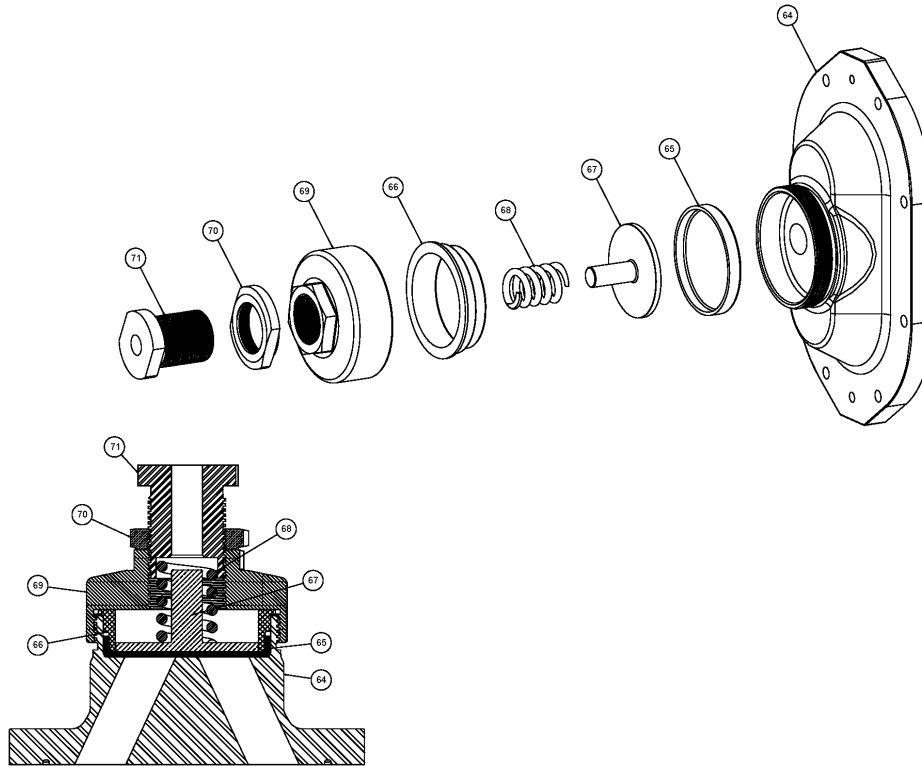
Ref #	Component Item No.	Description	Qty Per
45	<b>N70031</b>	<b>O-RING, INNER SEAL (BUNA) - ZP2 30/34</b>	<b>2</b>
	<i>E70031</i>	<i>O-RING, INNER SEAL (EPDM) - ZP2 30/34</i>	2
	<i>V70031</i>	<i>O-RING, INNER SEAL (VITON) - ZP2 30/34</i>	2
56	<b>P2GS101685</b>	<b>INNER SEAL WAVE SPRING - ZP2 30/34</b>	<b>2</b>
57	<b>P2GS101657</b>	<b>INNER SEAL (C) - ZP2 30/34</b>	<b>2</b>
	<i>P2GS101656</i>	<i>INNER SEAL (K) - ZP2 30/34</i>	2
	<i>P2GS101655</i>	<i>INNER SEAL (N) - ZP2 30/34</i>	2
58	<b>N70029</b>	<b>O-RING, SHAFT (BUNA) - ZP2 30/34</b>	<b>2</b>
	<i>E70029</i>	<i>O-RING, SHAFT (EPDM) - ZP2 30/34</i>	2
	<i>V70029</i>	<i>O-RING, SHAFT (VITON) - ZP2 30/34</i>	2
59	<b>P2GS101671</b>	<b>SEAL SEAT (C) ZP2 30/34</b>	<b>2</b>
	<i>P2GS101670</i>	<i>SEAL SEAT (K) ZP2 30/34</i>	2
63	<b>N70127</b>	<b>O-RING, ROTOR HUB (BUNA) - ZP2 30/34</b>	<b>2</b>
	<i>E70127</i>	<i>O-RING, ROTOR HUB (EPDM) - ZP2 30/34</i>	2
	<i>V70127</i>	<i>O-RING, ROTOR HUB (VITON) - ZP2 30/34</i>	2



**Double Mechanical Seal**

*Optional Items Shown in ITALICS*

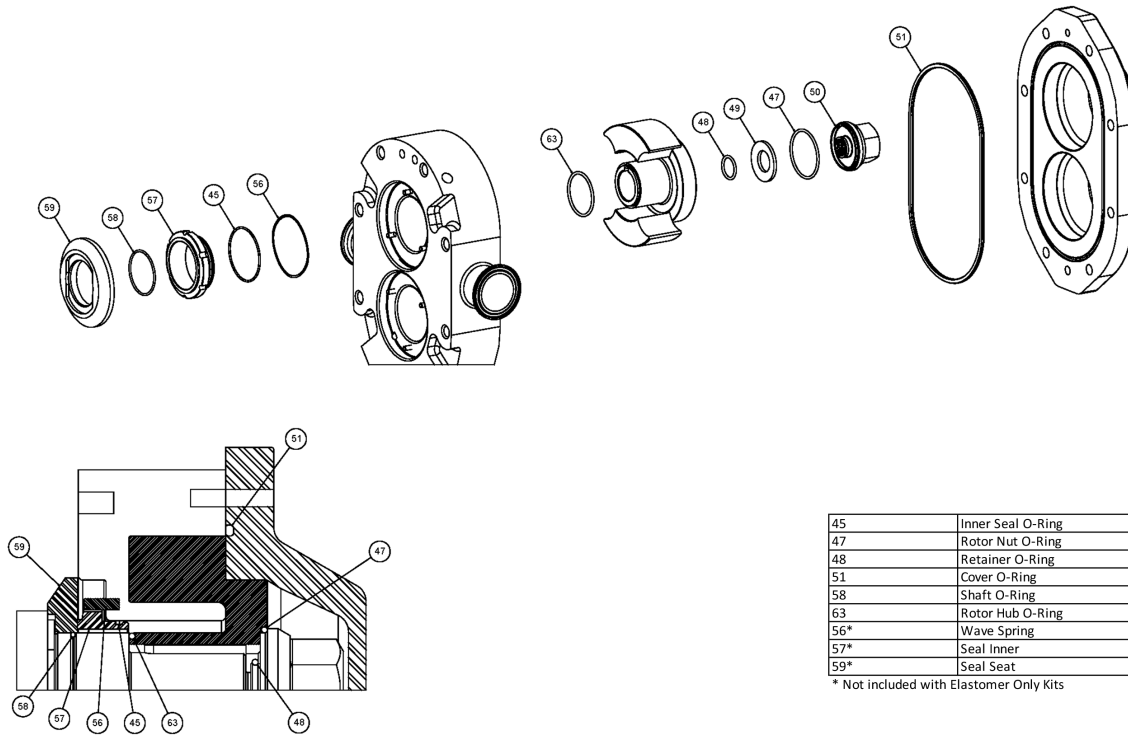
Ref #	Component Item No.	Description	Qty Per
45	<b>N70031</b>	<b>O-RING, INNER SEAL (BUNA) - ZP2 30/34</b>	<b>2</b>
	<i>E70031</i>	<i>O-RING, INNER SEAL (EPDM) - ZP2 30/34</i>	2
	<i>V70031</i>	<i>O-RING, INNER SEAL (VITON) - ZP2 30/34</i>	2
56	<b>P2GS101685</b>	<b>INNER SEAL WAVE SPRING - ZP2 30/34</b>	<b>2</b>
57	<b>P2GS101657</b>	<b>INNER SEAL (C) - ZP2 30/34</b>	<b>2</b>
	<i>P2GS101656</i>	<i>INNER SEAL (K) - ZP2 30/34</i>	2
	<i>P2GS101655</i>	<i>INNER SEAL (N) - ZP2 30/34</i>	2
58	<b>N70029</b>	<b>O-RING, SHAFT (BUNA) - ZP2 30/34</b>	<b>2</b>
	<i>E70029</i>	<i>O-RING, SHAFT (EPDM) - ZP2 30/34</i>	2
	<i>V70029</i>	<i>O-RING, SHAFT (VITON) - ZP2 30/34</i>	2
59	<b>P2GS101671</b>	<b>SEAL SEAT (C) ZP2 30/34</b>	<b>2</b>
	<i>P2GS101670</i>	<i>SEAL SEAT (K) ZP2 30/34</i>	2
60	<b>P2GS101686</b>	<b>OUTER SEAL WAVE SPRING - ZP2 30/34</b>	<b>2</b>
61	<b>N70041</b>	<b>O-RING, OUTER SEAL (BUNA) - ZP2 30/34</b>	<b>2</b>
	<i>E70041</i>	<i>O-RING, OUTER SEAL (EPDM) - ZP2 30/34</i>	2
	<i>V70041</i>	<i>O-RING, OUTER SEAL (VITON) - ZP2 30/34</i>	2
62	<b>P2GS101680</b>	<b>OUTER SEAL (N) - ZP2 30/34</b>	<b>2</b>
63	<b>N70127</b>	<b>O-RING, ROTOR HUB (BUNA) - ZP2 30/34</b>	<b>2</b>
	<i>E70127</i>	<i>O-RING, ROTOR HUB (EPDM) - ZP2 30/34</i>	2
	<i>V70127</i>	<i>O-RING, ROTOR HUB (VITON) - ZP2 30/34</i>	2



**Pressure Relief Cover**

*Optional Items Shown in ITALICS*

Ref #	Component Item No.	Description	Qty Per
64	P2CVR103670	VENTED FRONT COVER, ZP2 - 30/34/40	1
65	P1GXAD0078000	RUBBER DIAPHRAGM, BUNA, ZP1 & ZP2 & ZP3 - 6/15/18/30/34/40	1
	<i>P1GXAD0078EPO</i>	<i>RUBBER DIAPHRAGM, EPDM, ZP1 &amp; ZP2 &amp; ZP3 - 6/15/18/30/34/40</i>	1
	<i>P1GXAD0078V00</i>	<i>RUBBER DIAPHRAGM, VITON, ZP1 &amp; ZP2 &amp; ZP3 - 6/15/18/30/34/40</i>	1
66	P1SXAD0077000	DIAPHRAGM BUSHING, ZP1 & ZP2 & ZP3 - 6/15/18/30/34/40	1
67	P1SXAD0073000	SPRING PLUNGER, ZP1 & ZP2 & ZP3 - 6/15/18/30/34/40	1
68	P1SXAD0076000	SPRING, MEDIUM, (LESS THAN 150 PSI), ZP1 & ZP2 & ZP3 - 6/15/18/30/34/40	1
	<i>P1SXABB076100</i>	<i>SPRING, HIGH, (MORE THAN 150 PSI), ZP1 &amp; ZP2 &amp; ZP3 - 6/15/18/30/34/40</i>	1
69	P1SXAD0075000	COVER NUT, ZP1 & ZP2 & ZP3 - 6/15/18/30/34/40	1
70	P1SXAD0074000	LOCKNUT, ZP1 & ZP2 & ZP3 - 6/15/18/30/34/40	1
71	P1SXAD0072000	ADJUSTING SCREW, ZP1 & ZP2 & ZP3 - 6/15/18/30/34/40	1



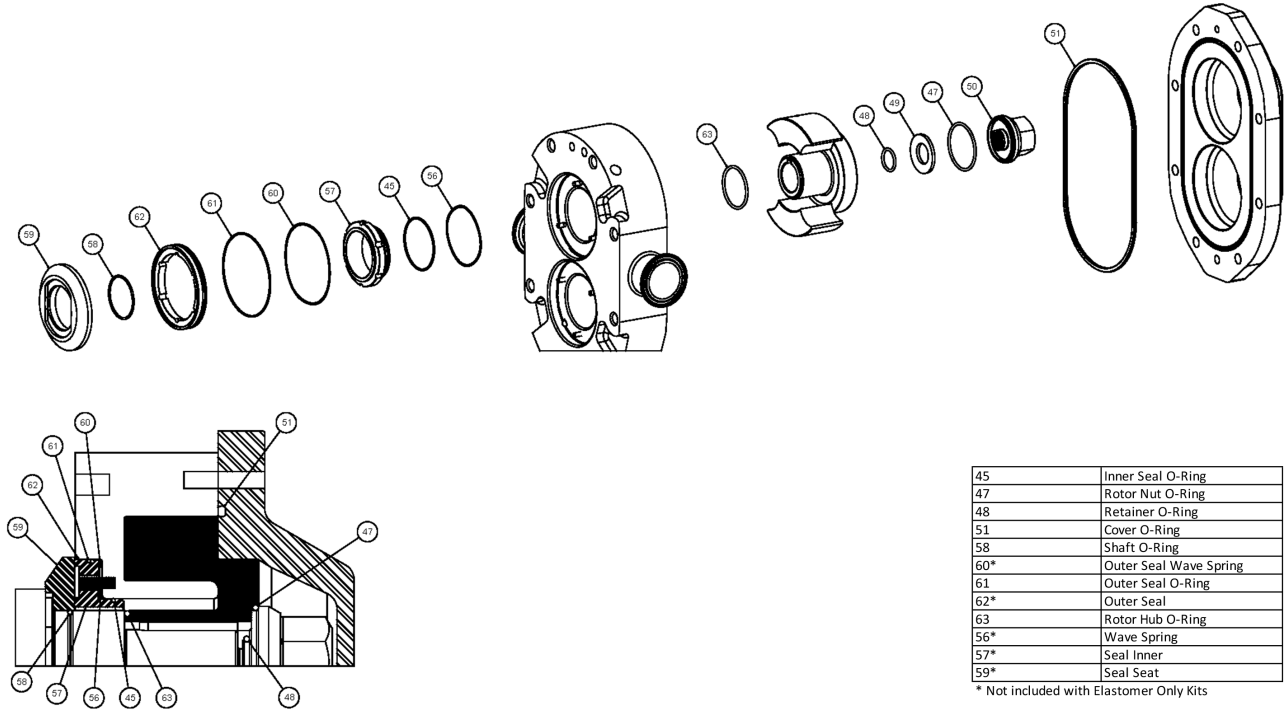
45	Inner Seal O-Ring
47	Rotor Nut O-Ring
48	Retainer O-Ring
51	Cover O-Ring
58	Shaft O-Ring
63	Rotor Hub O-Ring
56*	Wave Spring
57*	Seal Inner
59*	Seal Seat

\* Not included with Elastomer Only Kits

**Single Mechanical Seal Kit**

*Optional Items Shown in ITALICS*

Ref #	Component Item No.	Description	Qty Per
1	<b>P2GX030000-N</b>	<b>SEAL KIT, SGL MECH, ELASTOMERS ONLY, BUNA - ZP2 30/34/40</b>	<b>1</b>
	<i>P2GX030000-E</i>	<i>SEAL KIT, SGL MECH, ELASTOMERS ONLY, EPDM - ZP2 30/34/40</i>	<i>1</i>
	<i>P2GX030000-V</i>	<i>SEAL KIT, SGL MECH, ELASTOMERS ONLY, VITON - ZP2 30/34/40</i>	<i>1</i>
2	<b>P2GS030000-N</b>	<b>SEAL KIT, SGL MECH, SC/CA, BUNA - ZP2 30/34/40</b>	<b>1</b>
	<i>P2GS030000-E</i>	<i>SEAL KIT, SGL MECH, SC/CA, EPDM - ZP2 30/34/40</i>	<i>1</i>
	<i>P2GS030000-V</i>	<i>SEAL KIT, SGL MECH, SC/CA, VITON - ZP2 30/34/40</i>	<i>1</i>
3	<b>P2GS030020-N</b>	<b>SEAL KIT, SGL MECH, CE/CA, BUNA - ZP2 30/34/40</b>	<b>1</b>
	<i>P2GS030020-E</i>	<i>SEAL KIT, SGL MECH, CE/CA, EPDM - ZP2 30/34/40</i>	<i>1</i>
	<i>P2GS030020-V</i>	<i>SEAL KIT, SGL MECH, CE/CA, VITON - ZP2 30/34/40</i>	<i>1</i>
4	<i>P2GS030030-V</i>	<i>SEAL KIT, SGL MECH, CE/CE, VITON - ZP2 30/34/40</i>	<i>1</i>
5	<b>P2GS030010-N</b>	<b>SEAL KIT, SGL MECH, SC/SC, BUNA - ZP2 30/34/40</b>	<b>1</b>
	<i>P2GS030010-E</i>	<i>SEAL KIT, SGL MECH, SC/SC, EPDM - ZP2 30/34/40</i>	<i>1</i>
	<i>P2GS030010-V</i>	<i>SEAL KIT, SGL MECH, SC/SC, VITON - ZP2 30/34/40</i>	<i>1</i>
49	<b>P2GX101692</b>	<b>BELLEVILLE WASHER, SS - ZP2 30/34</b>	<b>2</b>
50	<b>P2SX101805</b>	<b>ROTOR NUT - ZP2 30/34</b>	<b>2</b>



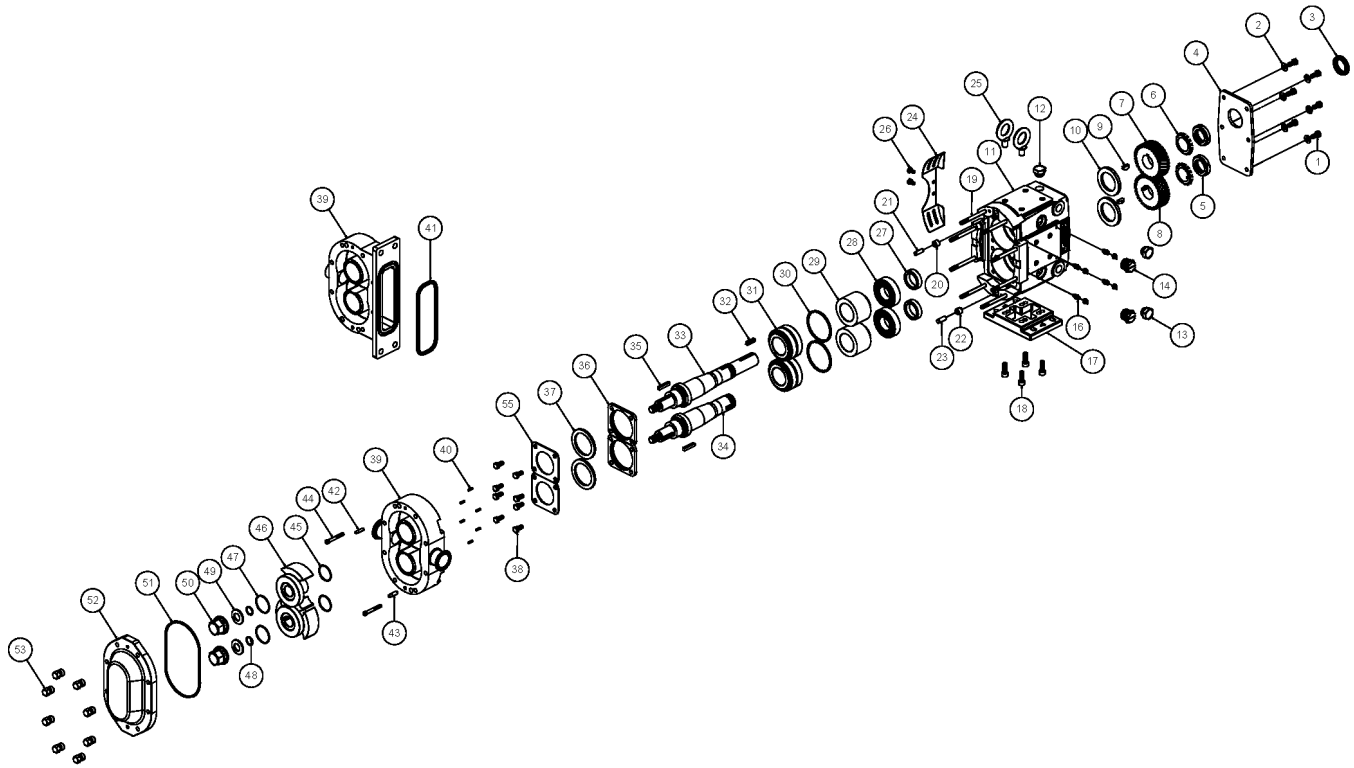
45	Inner Seal O-Ring
47	Rotor Nut O-Ring
48	Retainer O-Ring
51	Cover O-Ring
58	Shaft O-Ring
60*	Outer Seal Wave Spring
61	Outer Seal O-Ring
62*	Outer Seal
63	Rotor Hub O-Ring
56*	Wave Spring
57*	Seal Inner
59*	Seal Seat

\* Not included with Elastomer Only Kits

**Double Mechanical Seal Kit**

*Optional Items Shown in ITALICS*

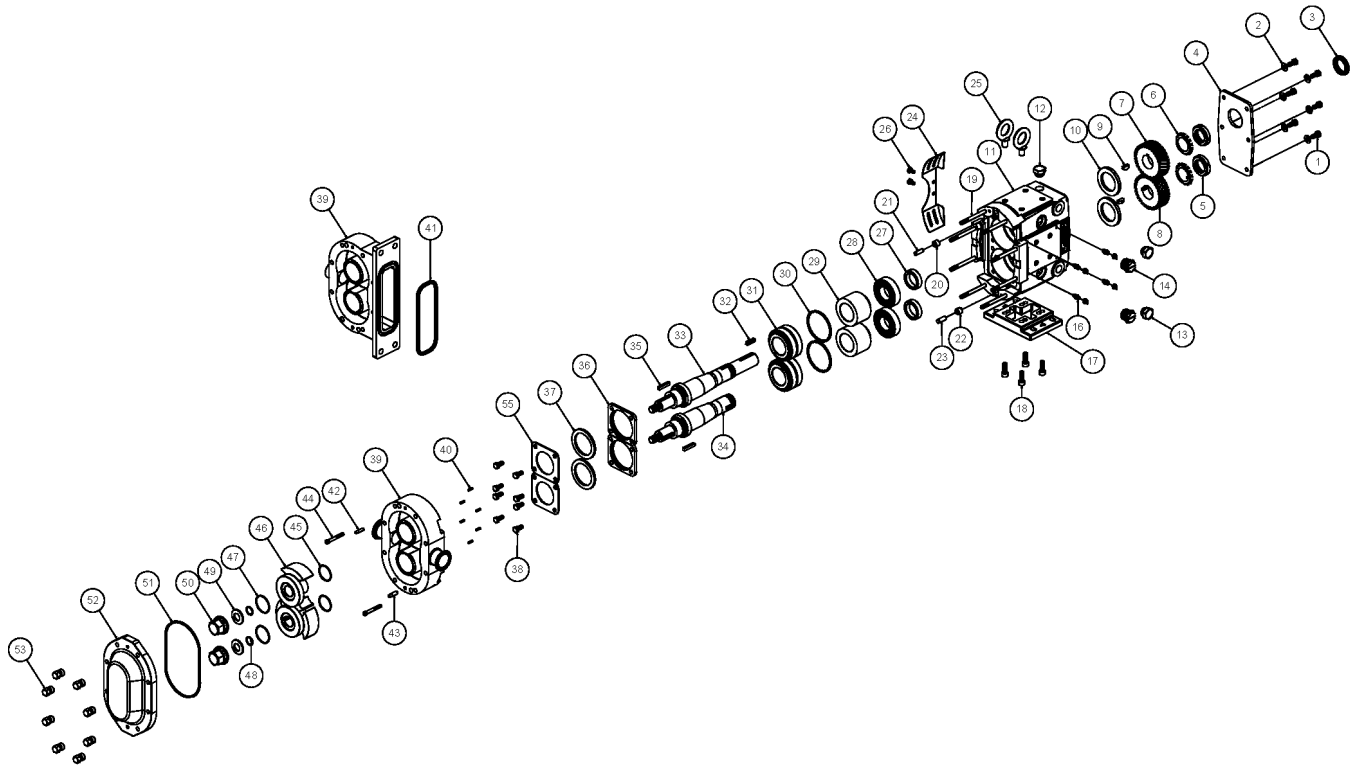
Ref #	Component Item No.	Description	Qty Per
1	<b>P2GX030200-N</b>	<b>SEAL KIT, DBL MECH, ELASTOMERS ONLY, BUNA - ZP2 30/34/40</b>	<b>1</b>
	<i>P2GX030200-E</i>	<i>SEAL KIT, DBL MECH, ELASTOMERS ONLY, EPDM - ZP2 30/34/40</i>	<i>1</i>
	<i>P2GX030200-V</i>	<i>SEAL KIT, DBL MECH, ELASTOMERS ONLY, VITON - ZP2 30/34/40</i>	<i>1</i>
2	<b>P2GS030200-N</b>	<b>SEAL KIT, DBL MECH, SC/CA/CA, BUNA - ZP2 30/34/40</b>	<b>1</b>
	<i>P2GS030200-E</i>	<i>SEAL KIT, DBL MECH, SC/CA/CA, EPDM - ZP2 30/34/40</i>	<i>1</i>
	<i>P2GS030200-V</i>	<i>SEAL KIT, DBL MECH, SC/CA/CA, VITON - ZP2 30/34/40</i>	<i>1</i>
3	<b>P2GS030220-N</b>	<b>SEAL KIT, DBL MECH, CE/CA/CA, BUNA - ZP2 30/34/40</b>	<b>1</b>
	<i>P2GS030220-E</i>	<i>SEAL KIT, DBL MECH, CE/CA/CA, EPDM - ZP2 30/34/40</i>	<i>1</i>
	<i>P2GS030220-V</i>	<i>SEAL KIT, DBL MECH, CE/CA/CA, VITON - ZP2 30/34/40</i>	<i>1</i>
4	<b>P2GS030230-N</b>	<b>SEAL KIT, DBL MECH, CE/CE/CA, BUNA - ZP2 30/34/40</b>	<b>1</b>
5	<b>P2GS030210-N</b>	<b>SEAL KIT, DBL MECH, SC/SC/CA, BUNA - ZP2 30/34/40</b>	<b>1</b>
	<i>P2GS030210-E</i>	<i>SEAL KIT, DBL MECH, SC/SC/CA, EPDM - ZP2 30/34/40</i>	<i>1</i>
	<i>P2GS030210-V</i>	<i>SEAL KIT, DBL MECH, SC/SC/CA, VITON - ZP2 30/34/40</i>	<i>1</i>
49	<b>P2GX101692</b>	<b>BELLEVILLE WASHER, SS - ZP2 30/34</b>	<b>2</b>
50	<b>P2SX101805</b>	<b>ROTOR NUT - ZP2 30/34</b>	<b>2</b>



**Exploded View**

*Optional Items Shown in ITALICS*

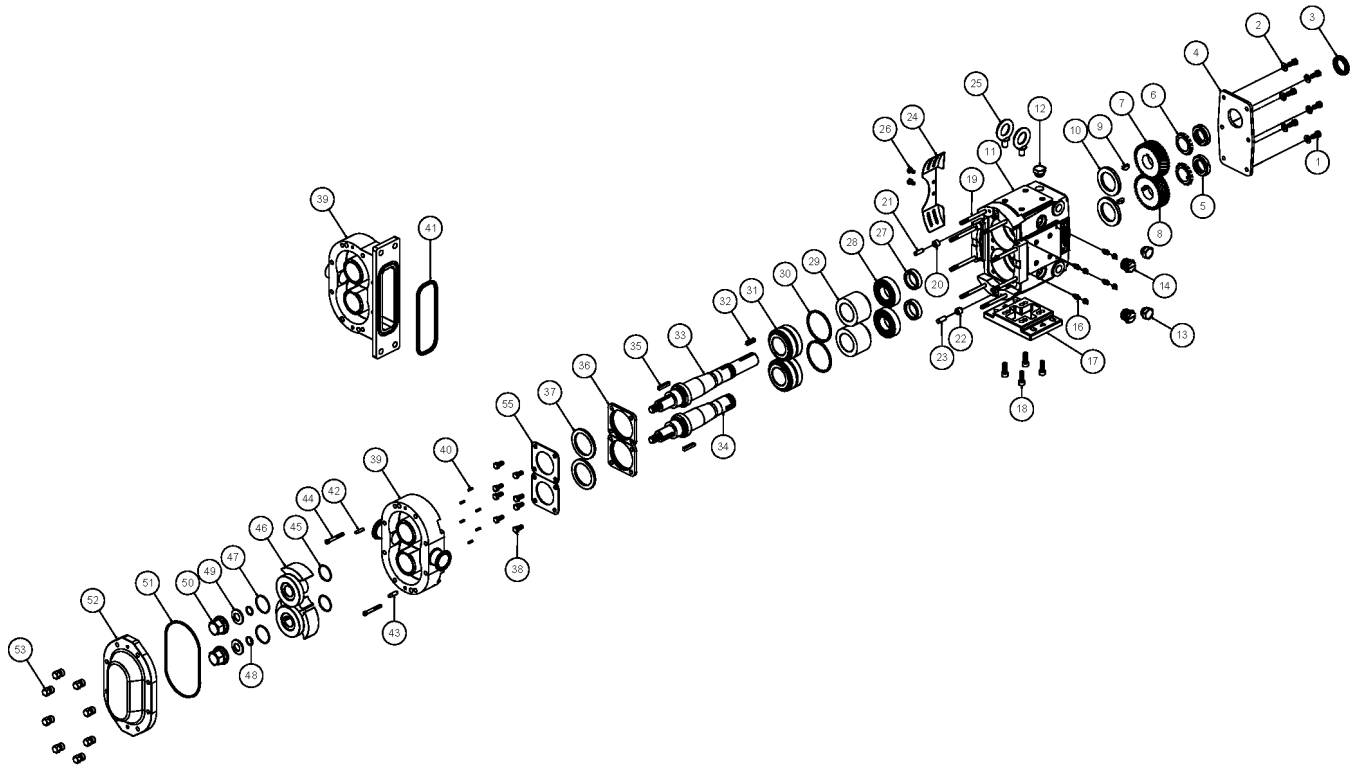
Ref #	Component Item No.	Description	Qty Per
1	P1GX30-58	1/4-20 X 3/4" HHCS, G.CASE COVER, SS - ZP1 & ZP2 6/15/18/30/	6
2	P1GX43-108	FLAT WASHER, G CASE COVER, 1/4 X 5/8 OD, SS - ZP1 & ZP2 6/15	6
3	P1GX000030013	OIL SEAL, GEAR CASE COVER - ZP1 & ZP2 30/34	1
4	P1SX040106000	GEAR CASE COVER, SS - ZP1 & ZP2 30/34	1
5	P1GXCD0036N00	GEAR LOCKNUT ZP1 & ZP2 30/34	2
6	P1GXCD0036W00	GEAR LOCKWASHER ZP2 30/34	2
7	P1GX030007001	GEAR DRIVE SHAFT ZP1 & ZP2 30/34	1
8	P1GX030007002	GEAR SHORT SHAFT ZP1 & ZP2 30/34	1
9	P1GXBD0037000	GEAR KEY - ZP1 & ZP2 30/34	2
10	P1GX000030014	OIL SEAL, REAR - ZP1 & ZP2 30/34	2
11	P1SX040005000	GEAR CASE, SS - ZP1 & ZP2 30/34	1
12	P1GX115798	PLUG,HEX,20M X1.5,W/NBR SEAL	5
13	P1GX115799	GAUGE,OIL,LVL,INDIC,M-20X1.5	1
14	P1GX70PLUG-SS	CLEAN OUT PLUG, SS - ZP1 & ZP2 30/34	4
	<i>P1GX70PLUG</i>	<i>CLEAN OUT PLUG, YELLOW - ZP1 &amp; ZP2 30/34</i>	4
16	P1GXBD0092001	GREASE FITTING, THREADED 1/4"-28 TAPER, SS	8
17	P1SX040110000	GEAR CASE BASE, SS - ZP1 & ZP2 30/34	1
18	P1GX30SHCSGCB	SHCS, G. CASE BASE, (18-8 SS) 3/8-16 X 1 - ZP1 & ZP2 30/34	4
19	P1GX35555	STUD, SHORT, ZP2 34	2
	P1GX108842	STUD, ZP2 30	6
	<i>P1GX35549</i>	<i>STUD, SHORT, JACKETED COVER, ZP2 34</i>	2
	<i>P1GX108845</i>	<i>STUD, JACKETED COVER, ZP2 30</i>	6
20	P1GXBD0116000	UPPER DOWEL BUSHING - ZP1 & ZP2 30/34	1
21	P1GX124582	DOWEL PIN - ZP1 & ZP2 45/60/64/130/134	1
22	P1GXBD0116100	LOWER DOWEL BUSHING - ZP1 & ZP2 30/34	1
23	P1GX124583	DOWEL PIN - ZP1 & ZP2 45/60/64/130/134	1
24	P1SX040CEGUARD	GUARD,30/34,(CE),GC,,SS	2



**Exploded View**

*Optional Items Shown in ITALICS*

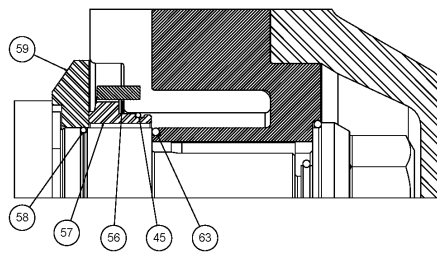
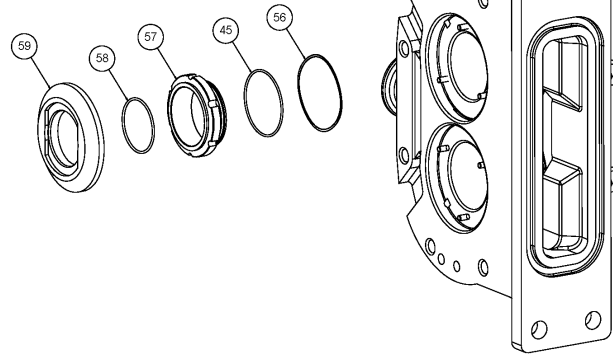
Ref #	Component Item No.	Description	Qty Per
26	P1GX000CENAIL	DRIVENAIL,ZP,GEAR CASE GUARDS	4
27	P1GX030055000	GEAR TO REAR BEARING SPACER - ZP1 & ZP2 30/33/34	2
28	P1GX030035000	REAR BEARING - ZP1 & ZP2 30/33/34	2
29	P1GX101815	BEARING SPACER - ZP1 & ZP2 30/33/34	2
30	P1GX117890	SHIM KIT - ZP1 & ZP2 30/34	2
31	P1GX101715	FRONT BEARING - ZP1 & ZP2 30/33/34	2
32	P1GX000037002	DRIVE KEY, 1/4" SQ. X 1" - ZP1 & ZP2 30/34	1
33	P2SX108409	DRIVE SHAFT (17-4PH) - ZP2 30/34	1
34	P2SX108410	SHORT SHAFT (17-4PH) - ZP2 30/34	1
35	P2SX101821	ROTOR KEY - ZP2 30/34/40	2
36	P1SX120333	BEARING RETAINER, NEW STYLE - ZP1 & ZP2 30/34	2
37	P1GX121680	GREASE SEAL FRONT BEARING RET. 3A - ZP1 & ZP2 30/34	2
38	P1GX30-283	5/16-18 X 3/4" HX HD CAP SCREW, SS -ZP1 & ZP2 30	8
39	P2BDY034001000	BODY - ZP2 34	1
	<i>P2BDY034001F00</i>	<i>BODY - ZP2 34 - FLUSHED</i>	1
40	P2GX101719	STOP PIN,SEAL - ZP2 30/34	6
42	P1GX124581	DOWEL PIN - ZP1 & ZP2 6/15/18/24	1
43	P1GX124582	DOWEL PIN - ZP1 & ZP2 45/60/64/130/134	1
44	P1GX30-211	CAPSCRW,SH,1/4-2 X2,18-8SS SCKT HD	2
45	N70031	O-RING, INNER SEAL (BUNA) - ZP2 30/34	2
	<i>E70031</i>	<i>O-RING, INNER SEAL (EPDM) - ZP2 30/34</i>	2
	<i>V70031</i>	<i>O-RING, INNER SEAL (VITON) - ZP2 30/34</i>	2
46	P2RTB030010000	ROTOR TWIN BLADE - ZP2 30/34 (STD) - ALLOY 88	2
	<i>P2RTB03001000H</i>	<i>ROTOR TWIN BLADE - ZP2 30/34 (STD) - ALLOY 88 - HOT CLEARANCE</i>	2
	<i>P2RTB0300100HC</i>	<i>ROTOR TWIN BLADE - ZP2 30/34 (STD) - ALLOY 88 - HOT CHOCOLATE</i>	2
	<i>P2RTB030010200</i>	<i>ROTOR TWIN BLADE - ZP2 30/34 (STD) - 316L</i>	2
47	N70130	O-RING, ROTOR NUT (BUNA) - ZP2 30/34	2



**Exploded View**

*Optional Items Shown in ITALICS*

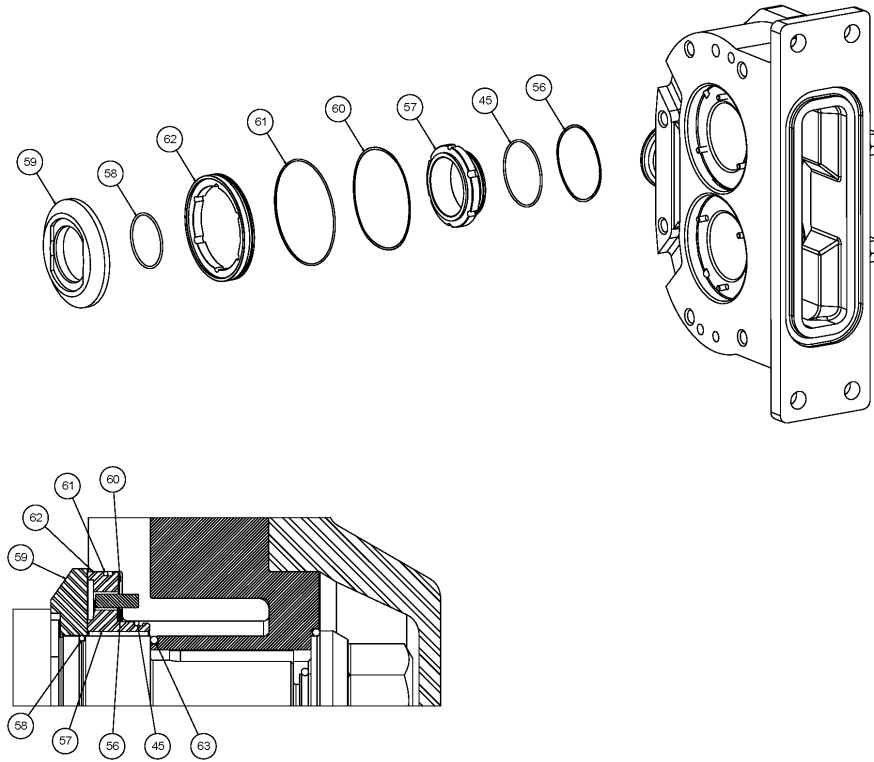
Ref #	Component Item No.	Description	Qty Per
47	<i>E70130</i>	<i>O-RING, ROTOR NUT (EPDM) - ZP2 30/34</i>	2
	<i>V70130</i>	<i>O-RING, ROTOR NUT (VITON) - ZP2 30/34</i>	2
48	<b>N70115</b>	<b>O-RING, RETAINER (BUNA) - ZP2 30/34</b>	2
	<i>E70115</i>	<i>O-RING, RETAINER (EPDM) - ZP2 30/34</i>	2
	<i>V70115</i>	<i>O-RING, RETAINER (VITON) - ZP2 30/34</i>	2
49	<b>P2GX101692</b>	<b>BELLEVILLE WASHER, SS - ZP2 30/34</b>	2
50	<b>P2SX101805</b>	<b>ROTOR NUT - ZP2 30/34</b>	2
51	<b>N70259</b>	<b>O-RING, COVER (BUNA) - ZP2 30/34</b>	1
	<i>E70259</i>	<i>O-RING, COVER (EPDM) - ZP2 30/34</i>	1
	<i>V70259</i>	<i>O-RING, COVER (VITON) - ZP2 30/34</i>	1
52	<b>P2CVR101845</b>	<b>COVER - ZP2 30/34</b>	1
	<i>P2CVR107666</i>	<i>COVER, JACKETED - ZP2 30/34</i>	1
53	<b>P1SX108370</b>	<b>COVER HEX NUT - ZP1 &amp; ZP2 30/34</b>	8
55	<b>P1SX040SPLATE</b>	<b>BEARING RETAINER SPLASH PLATE - ZP1 &amp; ZP2 30/34</b>	2



**Single Mechanical Seal**

*Optional Items Shown in ITALICS*

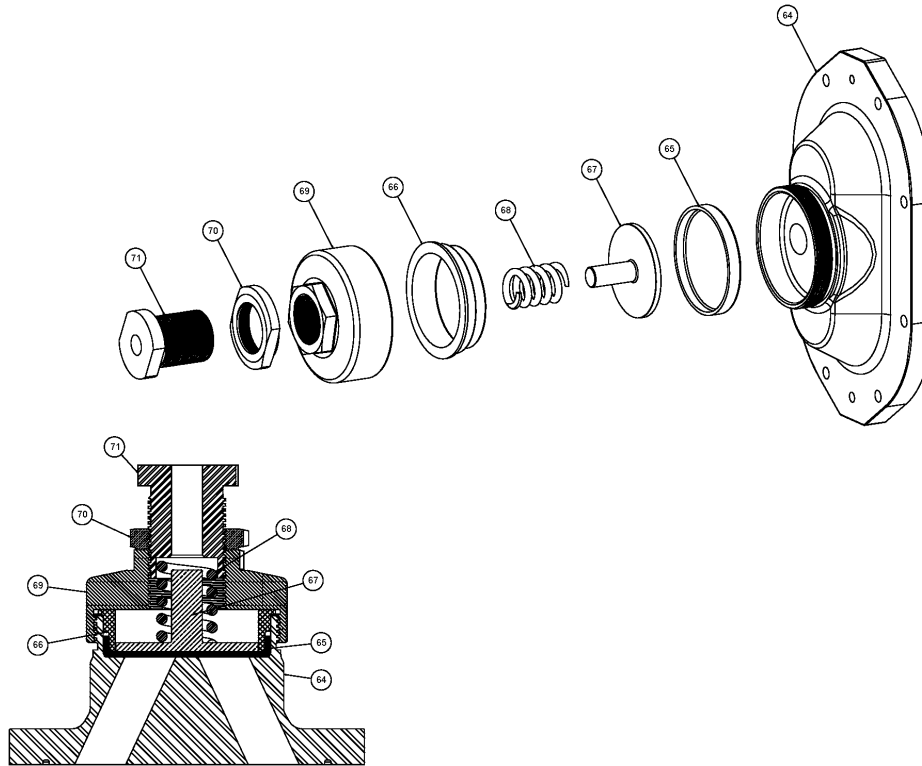
Ref #	Component Item No.	Description	Qty Per
45	<b>N70031</b>	<b>O-RING, INNER SEAL (BUNA) - ZP2 30/34</b>	<b>2</b>
	<i>E70031</i>	<i>O-RING, INNER SEAL (EPDM) - ZP2 30/34</i>	2
	<i>V70031</i>	<i>O-RING, INNER SEAL (VITON) - ZP2 30/34</i>	2
56	<b>P2GS101685</b>	<b>INNER SEAL WAVE SPRING - ZP2 30/34</b>	<b>2</b>
57	<b>P2GS101657</b>	<b>INNER SEAL (C) - ZP2 30/34</b>	<b>2</b>
	<i>P2GS101656</i>	<i>INNER SEAL (K) - ZP2 30/34</i>	2
	<i>P2GS101655</i>	<i>INNER SEAL (N) - ZP2 30/34</i>	2
58	<b>N70029</b>	<b>O-RING, SHAFT (BUNA) - ZP2 30/34</b>	<b>2</b>
	<i>E70029</i>	<i>O-RING, SHAFT (EPDM) - ZP2 30/34</i>	2
	<i>V70029</i>	<i>O-RING, SHAFT (VITON) - ZP2 30/34</i>	2
59	<b>P2GS101671</b>	<b>SEAL SEAT (C) ZP2 30/34</b>	<b>2</b>
	<i>P2GS101670</i>	<i>SEAL SEAT (K) ZP2 30/34</i>	2
63	<b>N70127</b>	<b>O-RING, ROTOR HUB (BUNA) - ZP2 30/34</b>	<b>2</b>
	<i>E70127</i>	<i>O-RING, ROTOR HUB (EPDM) - ZP2 30/34</i>	2
	<i>V70127</i>	<i>O-RING, ROTOR HUB (VITON) - ZP2 30/34</i>	2



**Double Mechanical Seal**

*Optional Items Shown in ITALICS*

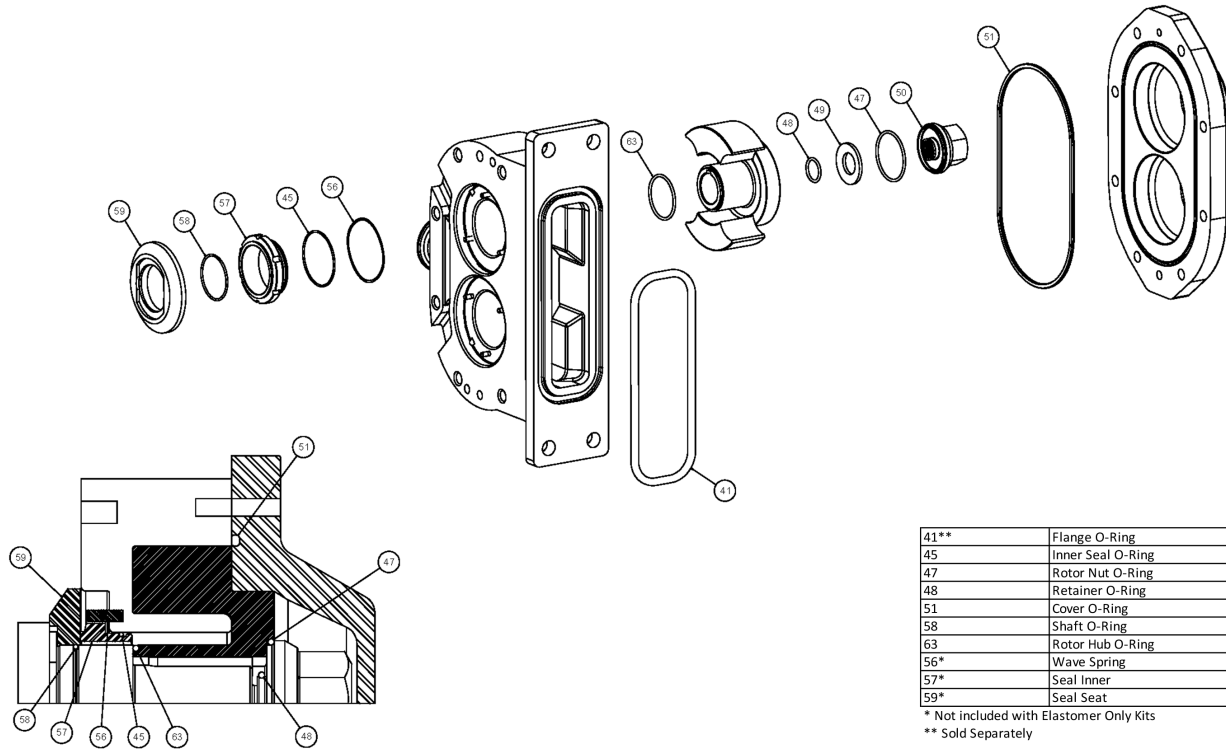
Ref #	Component Item No.	Description	Qty Per
41	<b>N70357</b>	<b>O-RING, RECTANGULAR FLANGE (BUNA) - ZP1 34</b>	<b>1</b>
	<i>E70357</i>	<i>O-RING, RECTANGULAR FLANGE (EPDM) - ZP1 34</i>	1
	<i>V70357</i>	<i>O-RING, RECTANGULAR FLANGE (VITON) - ZP1 34</i>	1
45	<b>N70031</b>	<b>O-RING, INNER SEAL (BUNA) - ZP2 30/34</b>	<b>2</b>
	<i>E70031</i>	<i>O-RING, INNER SEAL (EPDM) - ZP2 30/34</i>	2
	<i>V70031</i>	<i>O-RING, INNER SEAL (VITON) - ZP2 30/34</i>	2
56	<b>P2GS101685</b>	<b>INNER SEAL WAVE SPRING - ZP2 30/34</b>	<b>2</b>
57	<b>P2GS101657</b>	<b>INNER SEAL (C) - ZP2 30/34</b>	<b>2</b>
	<i>P2GS101656</i>	<i>INNER SEAL (K) - ZP2 30/34</i>	2
	<i>P2GS101655</i>	<i>INNER SEAL (N) - ZP2 30/34</i>	2
58	<b>N70029</b>	<b>O-RING, SHAFT (BUNA) - ZP2 30/34</b>	<b>2</b>
	<i>E70029</i>	<i>O-RING, SHAFT (EPDM) - ZP2 30/34</i>	2
	<i>V70029</i>	<i>O-RING, SHAFT (VITON) - ZP2 30/34</i>	2
59	<b>P2GS101671</b>	<b>SEAL SEAT (C) ZP2 30/34</b>	<b>2</b>
	<i>P2GS101670</i>	<i>SEAL SEAT (K) ZP2 30/34</i>	2
60	<b>P2GS101686</b>	<b>OUTER SEAL WAVE SPRING - ZP2 30/34</b>	<b>2</b>
61	<b>N70041</b>	<b>O-RING, OUTER SEAL (BUNA) - ZP2 30/34</b>	<b>2</b>
	<i>E70041</i>	<i>O-RING, OUTER SEAL (EPDM) - ZP2 30/34</i>	2
	<i>V70041</i>	<i>O-RING, OUTER SEAL (VITON) - ZP2 30/34</i>	2
62	<b>P2GS101680</b>	<b>OUTER SEAL (N) - ZP2 30/34</b>	<b>2</b>
63	<b>N70127</b>	<b>O-RING, ROTOR HUB (BUNA) - ZP2 30/34</b>	<b>2</b>
	<i>E70127</i>	<i>O-RING, ROTOR HUB (EPDM) - ZP2 30/34</i>	2
	<i>V70127</i>	<i>O-RING, ROTOR HUB (VITON) - ZP2 30/34</i>	2



**Pressure Relief Cover**

*Optional Items Shown in ITALICS*

Ref #	Component Item No.	Description	Qty Per
64	P2CVR103670	VENTED FRONT COVER, ZP2 - 30/34/40	1
65	P1GXAD0078000	RUBBER DIAPHRAGM, BUNA, ZP1 & ZP2 & ZP3 - 6/15/18/30/34/40	1
	<i>P1GXAD0078EP0</i>	<i>RUBBER DIAPHRAGM, EPDM, ZP1 &amp; ZP2 &amp; ZP3 - 6/15/18/30/34/40</i>	1
	<i>P1GXAD0078V00</i>	<i>RUBBER DIAPHRAGM, VITON, ZP1 &amp; ZP2 &amp; ZP3 - 6/15/18/30/34/40</i>	1
66	P1SXAD0077000	DIAPHRAGM BUSHING, ZP1 & ZP2 & ZP3 - 6/15/18/30/34/40	1
67	P1SXAD0073000	SPRING PLUNGER, ZP1 & ZP2 & ZP3 - 6/15/18/30/34/40	1
68	P1SXAD0076000	SPRING, MEDIUM, (LESS THAN 150 PSI), ZP1 & ZP2 & ZP3 - 6/15/18/30/34/40	1
	<i>P1SXABB076100</i>	<i>SPRING, HIGH, (MORE THAN 150 PSI), ZP1 &amp; ZP2 &amp; ZP3 - 6/15/18/30/34/40</i>	1
69	P1SXAD0075000	COVER NUT, ZP1 & ZP2 & ZP3 - 6/15/18/30/34/40	1
70	P1SXAD0074000	LOCKNUT, ZP1 & ZP2 & ZP3 - 6/15/18/30/34/40	1
71	P1SXAD0072000	ADJUSTING SCREW, ZP1 & ZP2 & ZP3 - 6/15/18/30/34/40	1



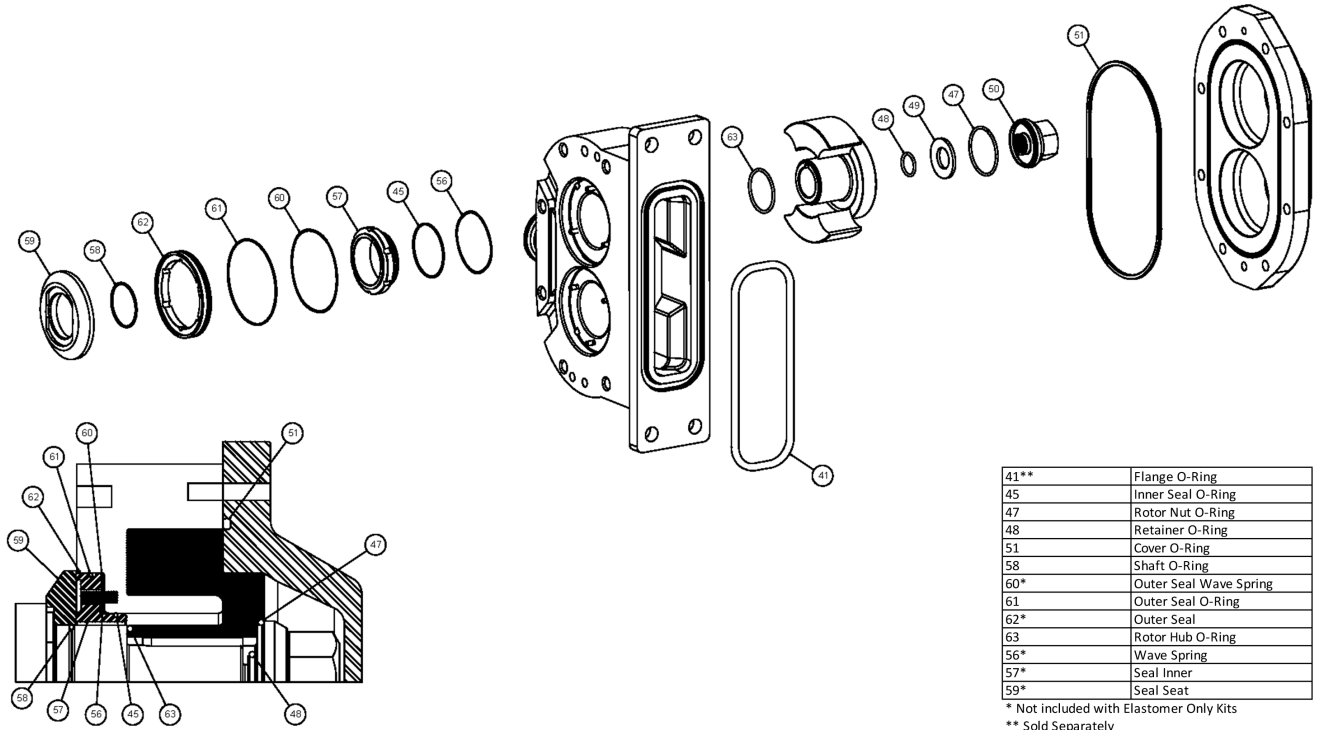
41**	Flange O-Ring
45	Inner Seal O-Ring
47	Rotor Nut O-Ring
48	Retainer O-Ring
51	Cover O-Ring
58	Shaft O-Ring
63	Rotor Hub O-Ring
56*	Wave Spring
57*	Seal Inner
59*	Seal Seat

\* Not included with Elastomer Only Kits  
\*\* Sold Separately

**Single Mechanical Seal Kit**

*Optional Items Shown in ITALICS*

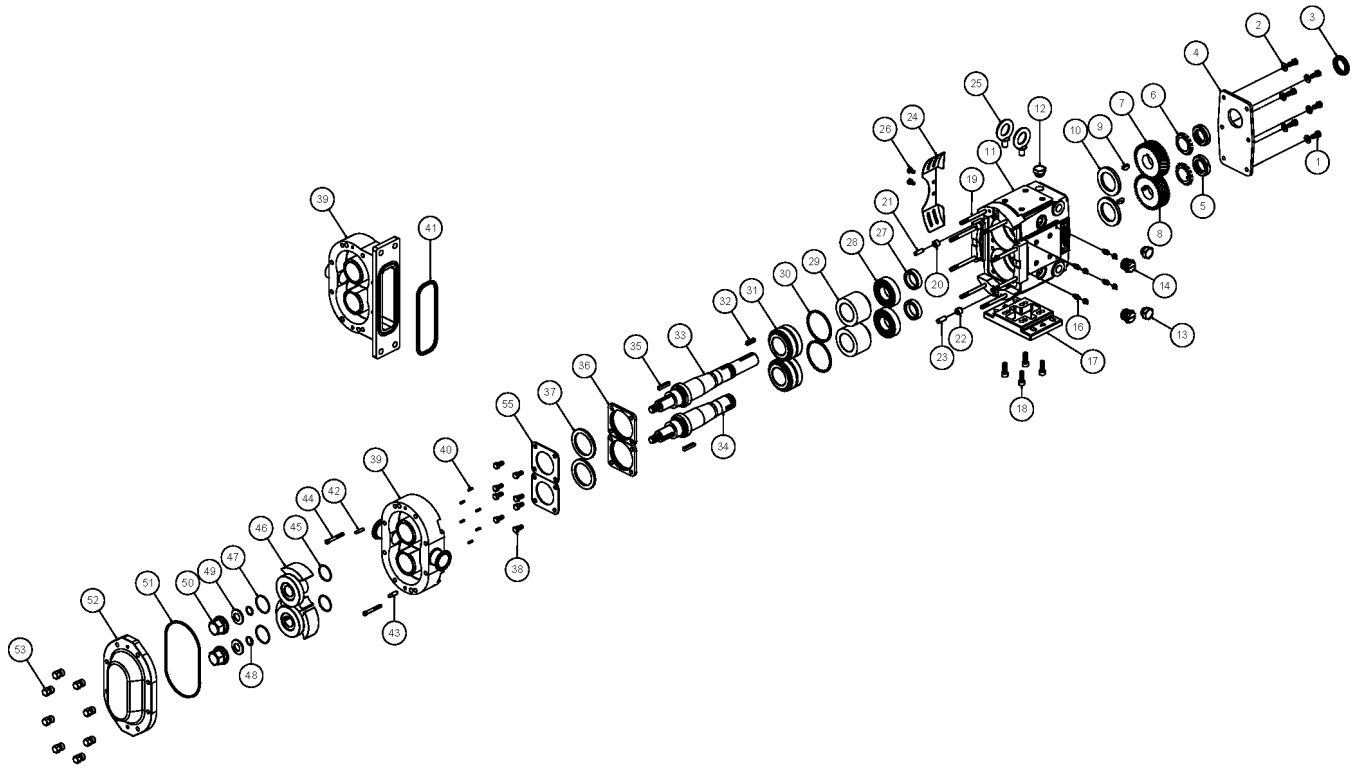
Ref #	Component Item No.	Description	Qty Per
1	<b>P2GX030000-N</b>	<b>SEAL KIT, SGL MECH, ELASTOMERS ONLY, BUNA - ZP2 30/34/40</b>	<b>1</b>
	<i>P2GX030000-E</i>	<i>SEAL KIT, SGL MECH, ELASTOMERS ONLY, EPDM - ZP2 30/34/40</i>	<i>1</i>
	<i>P2GX030000-V</i>	<i>SEAL KIT, SGL MECH, ELASTOMERS ONLY, VITON - ZP2 30/34/40</i>	<i>1</i>
2	<b>P2GS030000-N</b>	<b>SEAL KIT, SGL MECH, SC/CA, BUNA - ZP2 30/34/40</b>	<b>1</b>
	<i>P2GS030000-E</i>	<i>SEAL KIT, SGL MECH, SC/CA, EPDM - ZP2 30/34/40</i>	<i>1</i>
	<i>P2GS030000-V</i>	<i>SEAL KIT, SGL MECH, SC/CA, VITON - ZP2 30/34/40</i>	<i>1</i>
3	<b>P2GS030020-N</b>	<b>SEAL KIT, SGL MECH, CE/CA, BUNA - ZP2 30/34/40</b>	<b>1</b>
	<i>P2GS030020-E</i>	<i>SEAL KIT, SGL MECH, CE/CA, EPDM - ZP2 30/34/40</i>	<i>1</i>
	<i>P2GS030020-V</i>	<i>SEAL KIT, SGL MECH, CE/CA, VITON - ZP2 30/34/40</i>	<i>1</i>
4	<i>P2GS030030-V</i>	<i>SEAL KIT, SGL MECH, CE/CE, VITON - ZP2 30/34/40</i>	<i>1</i>
5	<b>P2GS030010-N</b>	<b>SEAL KIT, SGL MECH, SC/SC, BUNA - ZP2 30/34/40</b>	<b>1</b>
	<i>P2GS030010-E</i>	<i>SEAL KIT, SGL MECH, SC/SC, EPDM - ZP2 30/34/40</i>	<i>1</i>
	<i>P2GS030010-V</i>	<i>SEAL KIT, SGL MECH, SC/SC, VITON - ZP2 30/34/40</i>	<i>1</i>
49	<b>P2GX101692</b>	<b>BELLEVILLE WASHER, SS - ZP2 30/34</b>	<b>2</b>
50	<b>P2SX101805</b>	<b>ROTOR NUT - ZP2 30/34</b>	<b>2</b>



**Double Mechanical Seal Kit**

*Optional Items Shown in ITALICS*

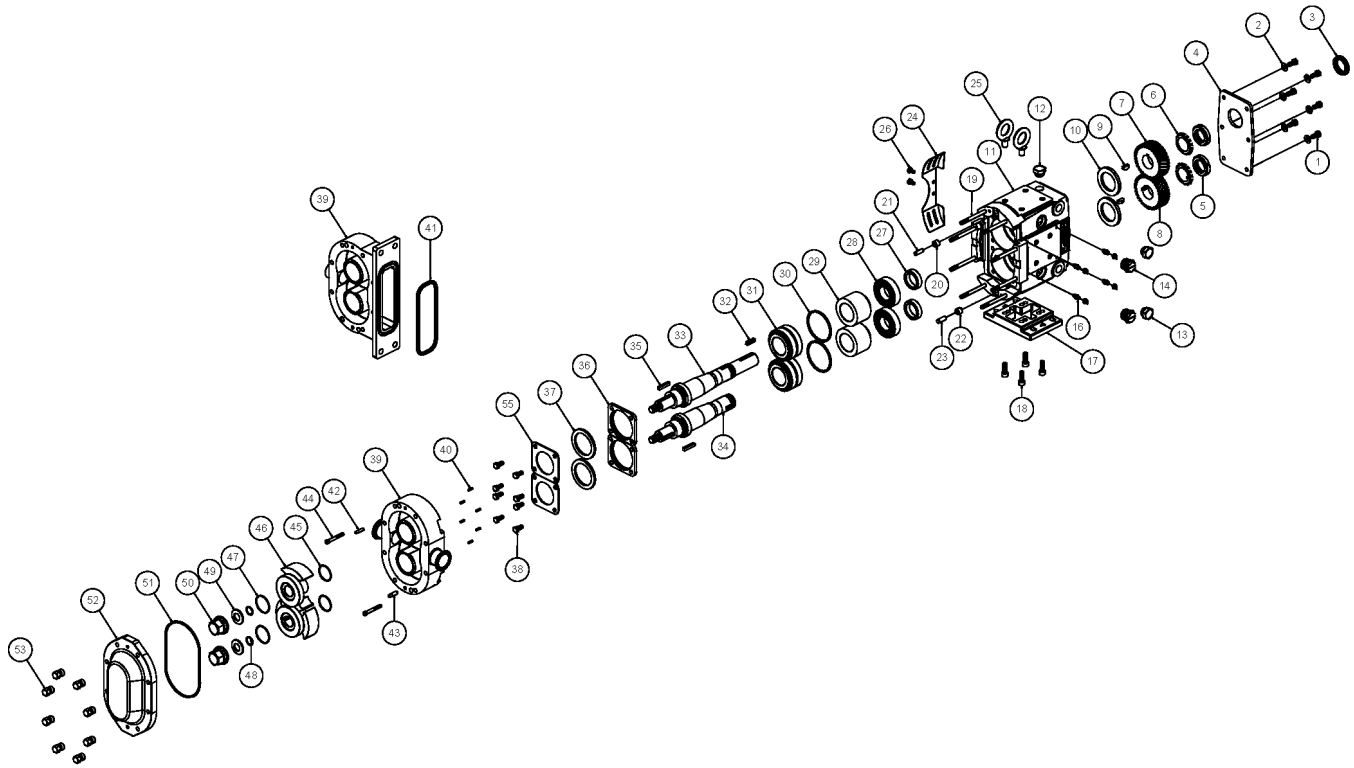
Ref #	Component Item No.	Description	Qty Per
1	<b>P2GX030200-N</b>	<b>SEAL KIT, DBL MECH, ELASTOMERS ONLY, BUNA - ZP2 30/34/40</b>	<b>1</b>
	<i>P2GX030200-E</i>	<i>SEAL KIT, DBL MECH, ELASTOMERS ONLY, EPDM - ZP2 30/34/40</i>	<i>1</i>
	<i>P2GX030200-V</i>	<i>SEAL KIT, DBL MECH, ELASTOMERS ONLY, VITON - ZP2 30/34/40</i>	<i>1</i>
2	<b>P2GS030200-N</b>	<b>SEAL KIT, DBL MECH, SC/CA/CA, BUNA - ZP2 30/34/40</b>	<b>1</b>
	<i>P2GS030200-E</i>	<i>SEAL KIT, DBL MECH, SC/CA/CA, EPDM - ZP2 30/34/40</i>	<i>1</i>
	<i>P2GS030200-V</i>	<i>SEAL KIT, DBL MECH, SC/CA/CA, VITON - ZP2 30/34/40</i>	<i>1</i>
3	<b>P2GS030220-N</b>	<b>SEAL KIT, DBL MECH, CE/CA/CA, BUNA - ZP2 30/34/40</b>	<b>1</b>
	<i>P2GS030220-E</i>	<i>SEAL KIT, DBL MECH, CE/CA/CA, EPDM - ZP2 30/34/40</i>	<i>1</i>
	<i>P2GS030220-V</i>	<i>SEAL KIT, DBL MECH, CE/CA/CA, VITON - ZP2 30/34/40</i>	<i>1</i>
4	<b>P2GS030230-N</b>	<b>SEAL KIT, DBL MECH, CE/CE/CA, BUNA - ZP2 30/34/40</b>	<b>1</b>
5	<b>P2GS030210-N</b>	<b>SEAL KIT, DBL MECH, SC/SC/CA, BUNA - ZP2 30/34/40</b>	<b>1</b>
	<i>P2GS030210-E</i>	<i>SEAL KIT, DBL MECH, SC/SC/CA, EPDM - ZP2 30/34/40</i>	<i>1</i>
	<i>P2GS030210-V</i>	<i>SEAL KIT, DBL MECH, SC/SC/CA, VITON - ZP2 30/34/40</i>	<i>1</i>
49	<b>P2GX101692</b>	<b>BELLEVILLE WASHER, SS - ZP2 30/34</b>	<b>2</b>
50	<b>P2SX101805</b>	<b>ROTOR NUT - ZP2 30/34</b>	<b>2</b>



**Exploded View**

*Optional Items Shown in ITALICS*

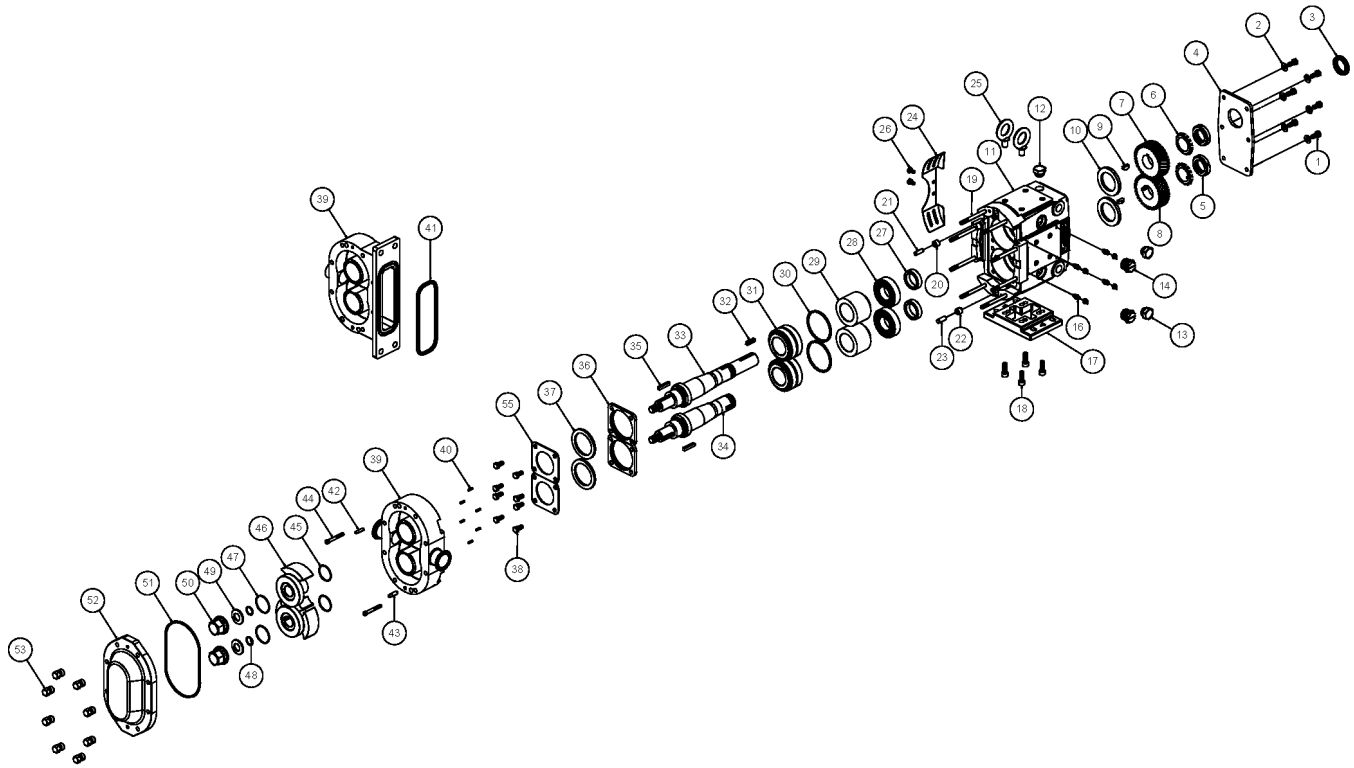
Ref #	Component Item No.	Description	Qty Per
1	P1GX30-58	1/4-20 X 3/4" HHCS, G.CASE COVER, SS - ZP1 & ZP2 6/15/18/30/	6
2	P1GX43-108	FLAT WASHER, G CASE COVER, 1/4 X 5/8 OD, SS - ZP1 & ZP2 6/15	6
3	P1GX000030013	OIL SEAL, GEAR CASE COVER - ZP1 & ZP2 30/34	1
4	P1SX040106000	GEAR CASE COVER, SS - ZP1 & ZP2 30/34	1
5	P1GXCD0036N00	GEAR LOCKNUT ZP1 & ZP2 30/34	2
6	P1GXCD0036W00	GEAR LOCKWASHER ZP2 30/34	2
7	P1GX030007001	GEAR DRIVE SHAFT ZP1 & ZP2 30/34	1
8	P1GX030007002	GEAR SHORT SHAFT ZP1 & ZP2 30/34	1
9	P1GXBD0037000	GEAR KEY - ZP1 & ZP2 30/34	2
10	P1GX000030014	OIL SEAL, REAR - ZP1 & ZP2 30/34	2
11	P1SX040005000	GEAR CASE, SS - ZP1 & ZP2 30/34	1
12	P1GX115798	PLUG,HEX,20M X1.5,W/NBR SEAL	5
13	P1GX115799	GAUGE,OIL,LVL,INDIC,M-20X1.5	1
14	P1GX70PLUG-SS	CLEAN OUT PLUG, SS - ZP1 & ZP2 30/34	4
	<i>P1GX70PLUG</i>	<i>CLEAN OUT PLUG, YELLOW - ZP1 &amp; ZP2 30/34</i>	4
16	P1GXBD0092001	GREASE FITTING, THREADED 1/4"-28 TAPER, SS	8
17	P1SX040110000	GEAR CASE BASE, SS - ZP1 & ZP2 30/34	1
18	P1GX30SHCSGCB	SHCS, G. CASE BASE, (18-8 SS) 3/8-16 X 1 - ZP1 & ZP2 30/34	4
19	P1GX118897	STUD, ZP2 40	8
	<i>P1GX118898</i>	<i>STUD, JACKETED COVER, ZP2 40</i>	8
20	P1GXBD0116000	UPPER DOWEL BUSHING - ZP1 & ZP2 30/34	1
21	P1GX124582	DOWEL PIN - ZP1 & ZP2 45/60/64/130/134	1
22	P1GXBD0116100	LOWER DOWEL BUSHING - ZP1 & ZP2 30/34	1
23	P1GX124583	DOWEL PIN - ZP1 & ZP2 45/60/64/130/134	1
24	P1SX040CEGUARD	GUARD,30/34,(CE),GC,,SS	2
26	P1GX000CENAIL	DRIVENAIL,ZP,GEAR CASE GUARDS	4
27	P1GX030055000	GEAR TO REAR BEARING SPACER - ZP1 & ZP2 30/33/34	2



**Exploded View**

*Optional Items Shown in ITALICS*

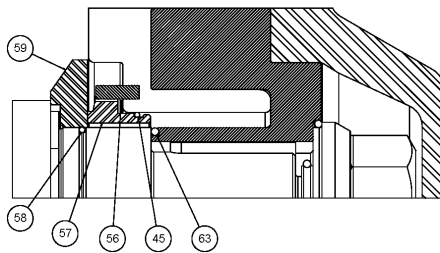
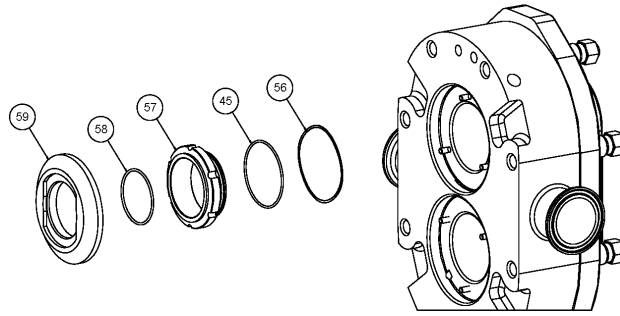
Ref #	Component Item No.	Description	Qty Per
28	P1GX030035000	REAR BEARING - ZP1 & ZP2 30/33/34	2
29	P1GX101815	BEARING SPACER - ZP1 & ZP2 30/33/34	2
30	P1GX117890	SHIM KIT - ZP1 & ZP2 30/34	2
31	P1GX101715	FRONT BEARING - ZP1 & ZP2 30/33/34	2
32	P1GX000037002	DRIVE KEY, 1/4" SQ. X 1" - ZP1 & ZP2 30/34	1
33	P2SX118722	DRIVE SHAFT (17-4PH) - ZP2 40	1
34	P2SX118723	SHORT SHAFT (17-4PH) - ZP2 40	1
35	P2SX101821	ROTOR KEY - ZP2 30/34/40	2
36	P1SX120333	BEARING RETAINER, NEW STYLE - ZP1 & ZP2 30/34	2
37	P1GX121680	GREASE SEAL FRONT BEARING RET. 3A - ZP1 & ZP2 30/34	2
38	P1GX30-283	5/16-18 X 3/4" HX HD CAP SCREW, SS -ZP1 & ZP2 30	8
39	P2BDY040001000	BODY - ZP2 40	1
	<i>P2BDY040001F00</i>	<i>BODY - ZP2 40 - FLUSHED</i>	1
40	P2GX101719	STOP PIN,SEAL - ZP2 30/34	6
42	P1GX124581	DOWEL PIN - ZP1 & ZP2 6/15/18/24	1
43	P1GX124582	DOWEL PIN - ZP1 & ZP2 45/60/64/130/134	1
44	P1GX40RETSCREW	SCREW,40,BDY RET,1/4-20X2.5,SS ZP1 ZP2	2
45	N70031	O-RING, INNER SEAL (BUNA) - ZP2 30/34	2
	<i>E70031</i>	<i>O-RING, INNER SEAL (EPDM) - ZP2 30/34</i>	2
	<i>V70031</i>	<i>O-RING, INNER SEAL (VITON) - ZP2 30/34</i>	2
46	P2RTB040010000	ROTOR TWIN BLADE - ZP2 40 (STD) - ALLOY 88	2
	<i>P2RTB04001000H</i>	<i>ROTOR TWIN BLADE - ZP2 40 (STD) - ALLOY 88 - HOT CLEARANCE</i>	2
47	N70130	O-RING, ROTOR NUT (BUNA) - ZP2 30/34	2
	<i>E70130</i>	<i>O-RING, ROTOR NUT (EPDM) - ZP2 30/34</i>	2
	<i>V70130</i>	<i>O-RING, ROTOR NUT (VITON) - ZP2 30/34</i>	2
48	N70115	O-RING, RETAINER (BUNA) - ZP2 30/34	2
	<i>E70115</i>	<i>O-RING, RETAINER (EPDM) - ZP2 30/34</i>	2



**Exploded View**

*Optional Items Shown in ITALICS*

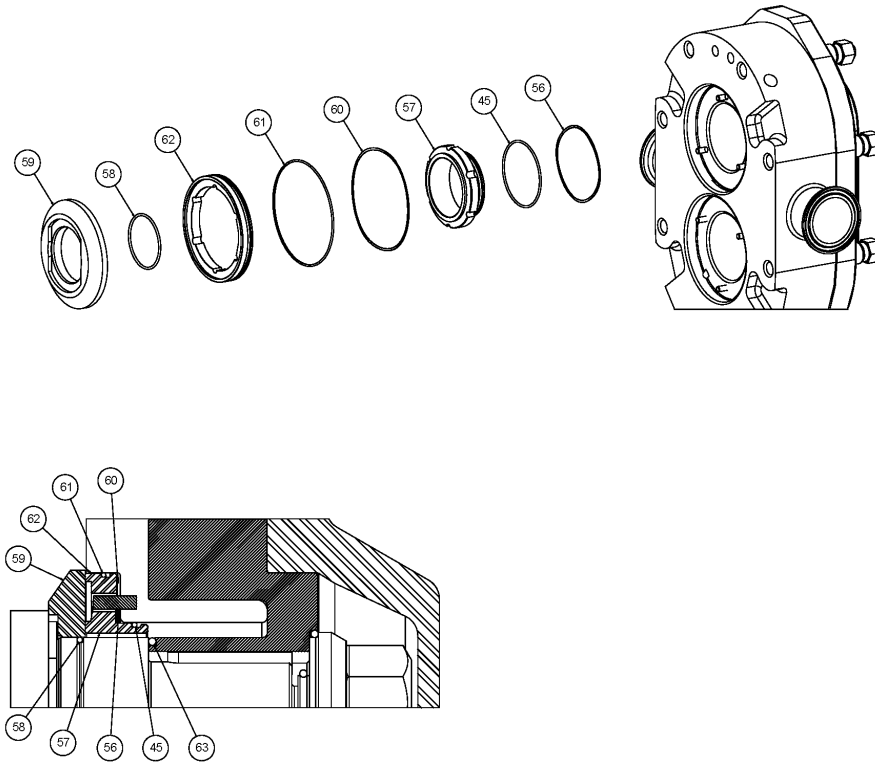
Ref #	Component Item No.	Description	Qty Per
48	V70115	O-RING, RETAINER (VITON) - ZP2 30/34	2
49	P2GX101692	BELLEVILLE WASHER, SS - ZP2 30/34	2
50	P2SX101805	ROTOR NUT - ZP2 30/34	2
51	N70259	O-RING, COVER (BUNA) - ZP2 30/34	1
	<i>E70259</i>	<i>O-RING, COVER (EPDM) - ZP2 30/34</i>	1
	<i>V70259</i>	<i>O-RING, COVER (VITON) - ZP2 30/34</i>	1
52	P2CVR101845	COVER - ZP2 30/34	1
	<i>P2CVR107666</i>	<i>COVER, JACKETED - ZP2 30/34</i>	1
53	P1SX108370	COVER HEX NUT - ZP1 & ZP2 30/34	8
55	P1SX040SPLATE	BEARING RETAINER SPLASH PLATE - ZP1 & ZP2 30/34	2



**Single Mechanical Seal**

*Optional Items Shown in ITALICS*

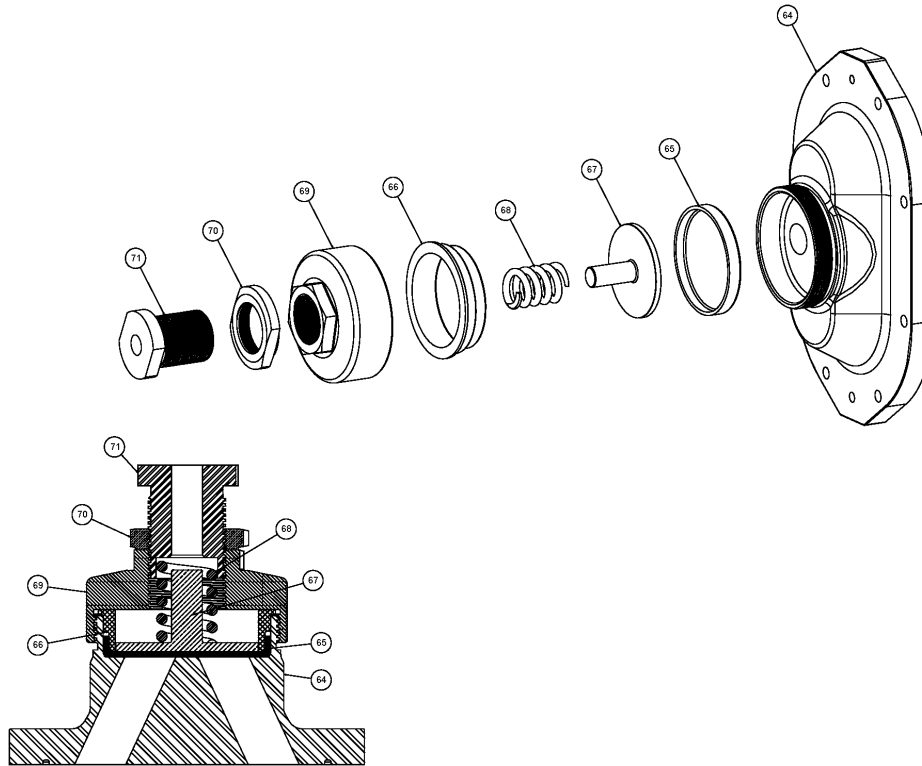
Ref #	Component Item No.	Description	Qty Per
45	<b>N70031</b>	<b>O-RING, INNER SEAL (BUNA) - ZP2 30/34</b>	<b>2</b>
	<i>E70031</i>	<i>O-RING, INNER SEAL (EPDM) - ZP2 30/34</i>	2
	<i>V70031</i>	<i>O-RING, INNER SEAL (VITON) - ZP2 30/34</i>	2
56	<b>P2GS101685</b>	<b>INNER SEAL WAVE SPRING - ZP2 30/34</b>	<b>2</b>
57	<b>P2GS101657</b>	<b>INNER SEAL (C) - ZP2 30/34</b>	<b>2</b>
	<i>P2GS101656</i>	<i>INNER SEAL (K) - ZP2 30/34</i>	2
	<i>P2GS101655</i>	<i>INNER SEAL (N) - ZP2 30/34</i>	2
58	<b>N70029</b>	<b>O-RING, SHAFT (BUNA) - ZP2 30/34</b>	<b>2</b>
	<i>E70029</i>	<i>O-RING, SHAFT (EPDM) - ZP2 30/34</i>	2
	<i>V70029</i>	<i>O-RING, SHAFT (VITON) - ZP2 30/34</i>	2
59	<b>P2GS101671</b>	<b>SEAL SEAT (C) ZP2 30/34</b>	<b>2</b>
	<i>P2GS101670</i>	<i>SEAL SEAT (K) ZP2 30/34</i>	2
63	<b>N70127</b>	<b>O-RING, ROTOR HUB (BUNA) - ZP2 30/34</b>	<b>2</b>
	<i>E70127</i>	<i>O-RING, ROTOR HUB (EPDM) - ZP2 30/34</i>	2
	<i>V70127</i>	<i>O-RING, ROTOR HUB (VITON) - ZP2 30/34</i>	2



**Double Mechanical Seal**

*Optional Items Shown in ITALICS*

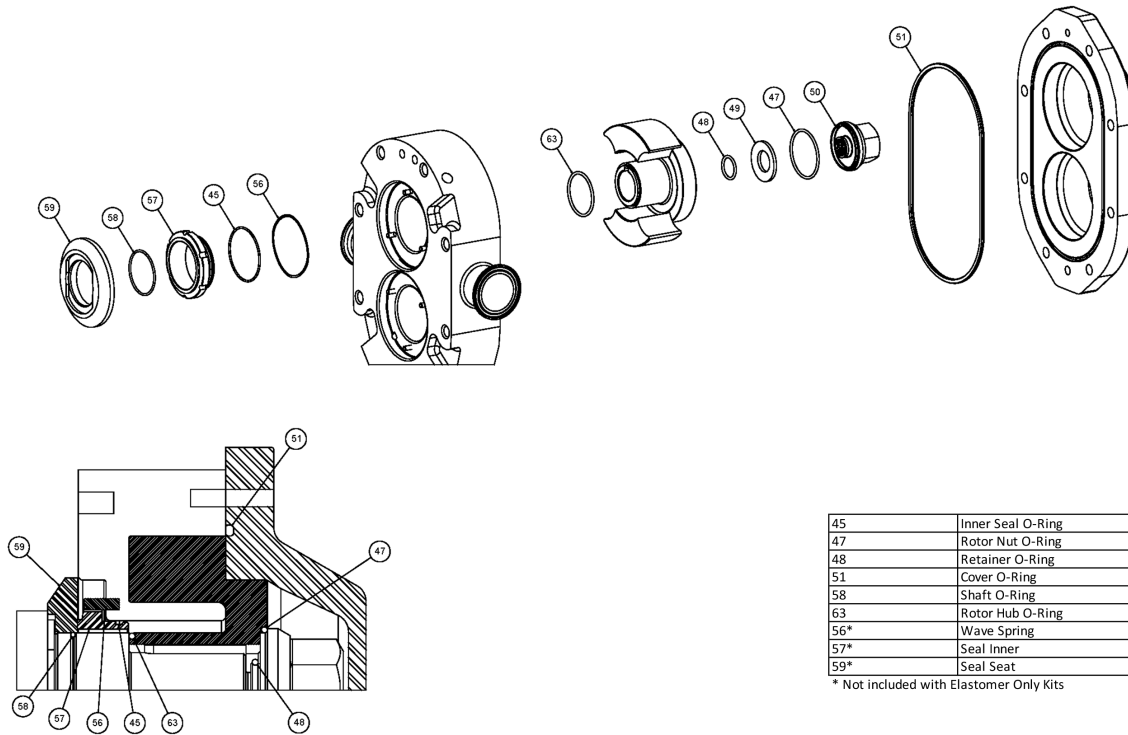
Ref #	Component Item No.	Description	Qty Per
45	<b>N70031</b>	<b>O-RING, INNER SEAL (BUNA) - ZP2 30/34</b>	<b>2</b>
	<i>E70031</i>	<i>O-RING, INNER SEAL (EPDM) - ZP2 30/34</i>	2
	<i>V70031</i>	<i>O-RING, INNER SEAL (VITON) - ZP2 30/34</i>	2
56	<b>P2GS101685</b>	<b>INNER SEAL WAVE SPRING - ZP2 30/34</b>	<b>2</b>
57	<b>P2GS101657</b>	<b>INNER SEAL (C) - ZP2 30/34</b>	<b>2</b>
	<i>P2GS101656</i>	<i>INNER SEAL (K) - ZP2 30/34</i>	2
	<i>P2GS101655</i>	<i>INNER SEAL (N) - ZP2 30/34</i>	2
58	<b>N70029</b>	<b>O-RING, SHAFT (BUNA) - ZP2 30/34</b>	<b>2</b>
	<i>E70029</i>	<i>O-RING, SHAFT (EPDM) - ZP2 30/34</i>	2
	<i>V70029</i>	<i>O-RING, SHAFT (VITON) - ZP2 30/34</i>	2
59	<b>P2GS101671</b>	<b>SEAL SEAT (C) ZP2 30/34</b>	<b>2</b>
	<i>P2GS101670</i>	<i>SEAL SEAT (K) ZP2 30/34</i>	2
60	<b>P2GS101686</b>	<b>OUTER SEAL WAVE SPRING - ZP2 30/34</b>	<b>2</b>
61	<b>N70041</b>	<b>O-RING, OUTER SEAL (BUNA) - ZP2 30/34</b>	<b>2</b>
	<i>E70041</i>	<i>O-RING, OUTER SEAL (EPDM) - ZP2 30/34</i>	2
	<i>V70041</i>	<i>O-RING, OUTER SEAL (VITON) - ZP2 30/34</i>	2
62	<b>P2GS101680</b>	<b>OUTER SEAL (N) - ZP2 30/34</b>	<b>2</b>
63	<b>N70127</b>	<b>O-RING, ROTOR HUB (BUNA) - ZP2 30/34</b>	<b>2</b>
	<i>E70127</i>	<i>O-RING, ROTOR HUB (EPDM) - ZP2 30/34</i>	2
	<i>V70127</i>	<i>O-RING, ROTOR HUB (VITON) - ZP2 30/34</i>	2



**Pressure Relief Cover**

*Optional Items Shown in ITALICS*

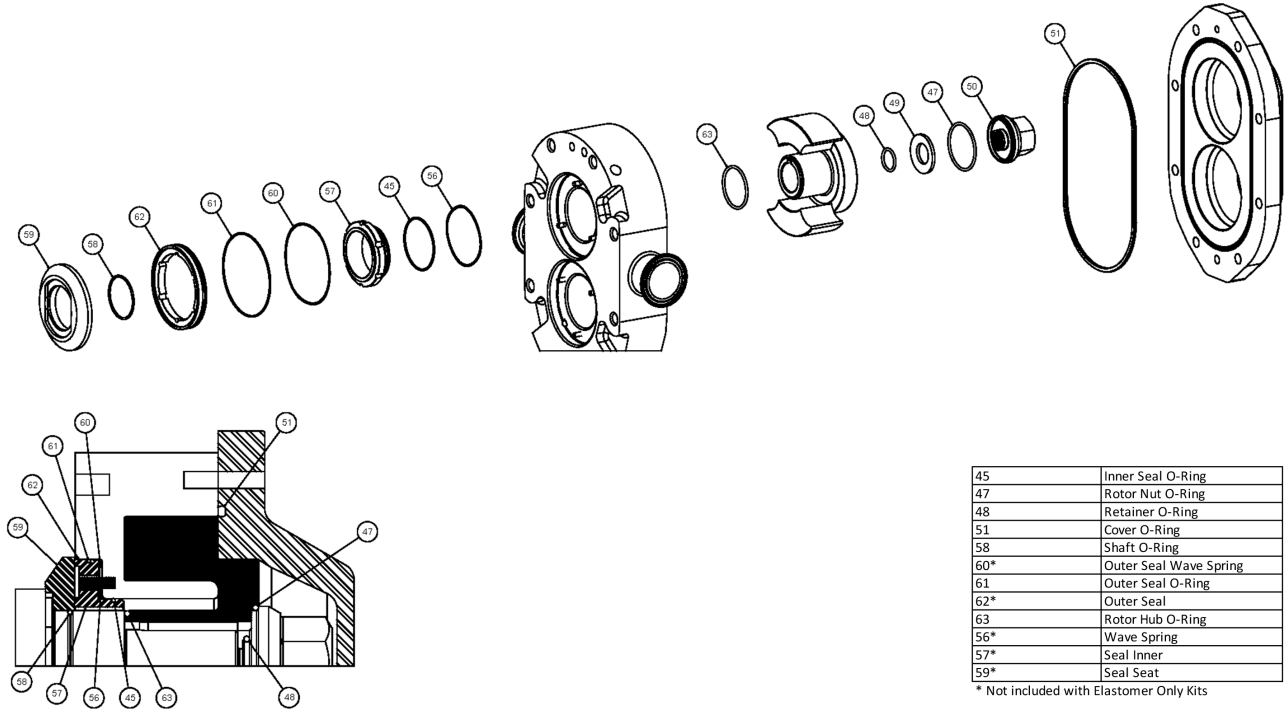
Ref #	Component Item No.	Description	Qty Per
64	P2CVR103670	VENTED FRONT COVER, ZP2 - 30/34/40	1
65	P1GXAD0078000	RUBBER DIAPHRAGM, BUNA, ZP1 & ZP2 & ZP3 - 6/15/18/30/34/40	1
	<i>P1GXAD0078EP0</i>	<i>RUBBER DIAPHRAGM, EPDM, ZP1 &amp; ZP2 &amp; ZP3 - 6/15/18/30/34/40</i>	1
	<i>P1GXAD0078V00</i>	<i>RUBBER DIAPHRAGM, VITON, ZP1 &amp; ZP2 &amp; ZP3 - 6/15/18/30/34/40</i>	1
66	P1SXAD0077000	DIAPHRAGM BUSHING, ZP1 & ZP2 & ZP3 - 6/15/18/30/34/40	1
67	P1SXAD0073000	SPRING PLUNGER, ZP1 & ZP2 & ZP3 - 6/15/18/30/34/40	1
68	P1SXAD0076000	SPRING, MEDIUM, (LESS THAN 150 PSI), ZP1 & ZP2 & ZP3 - 6/15/18/30/34/40	1
	<i>P1SXABB076100</i>	<i>SPRING, HIGH, (MORE THAN 150 PSI), ZP1 &amp; ZP2 &amp; ZP3 - 6/15/18/30/34/40</i>	1
69	P1SXAD0075000	COVER NUT, ZP1 & ZP2 & ZP3 - 6/15/18/30/34/40	1
70	P1SXAD0074000	LOCKNUT, ZP1 & ZP2 & ZP3 - 6/15/18/30/34/40	1
71	P1SXAD0072000	ADJUSTING SCREW, ZP1 & ZP2 & ZP3 - 6/15/18/30/34/40	1



**Single Mechanical Seal Kit**

*Optional Items Shown in ITALICS*

Ref #	Component Item No.	Description	Qty Per
1	<b>P2GX030000-N</b>	<b>SEAL KIT, SGL MECH, ELASTOMERS ONLY, BUNA - ZP2 30/34/40</b>	<b>1</b>
	<i>P2GX030000-E</i>	<i>SEAL KIT, SGL MECH, ELASTOMERS ONLY, EPDM - ZP2 30/34/40</i>	<i>1</i>
	<i>P2GX030000-V</i>	<i>SEAL KIT, SGL MECH, ELASTOMERS ONLY, VITON - ZP2 30/34/40</i>	<i>1</i>
2	<b>P2GS030000-N</b>	<b>SEAL KIT, SGL MECH, SC/CA, BUNA - ZP2 30/34/40</b>	<b>1</b>
	<i>P2GS030000-E</i>	<i>SEAL KIT, SGL MECH, SC/CA, EPDM - ZP2 30/34/40</i>	<i>1</i>
	<i>P2GS030000-V</i>	<i>SEAL KIT, SGL MECH, SC/CA, VITON - ZP2 30/34/40</i>	<i>1</i>
3	<b>P2GS030020-N</b>	<b>SEAL KIT, SGL MECH, CE/CA, BUNA - ZP2 30/34/40</b>	<b>1</b>
	<i>P2GS030020-E</i>	<i>SEAL KIT, SGL MECH, CE/CA, EPDM - ZP2 30/34/40</i>	<i>1</i>
	<i>P2GS030020-V</i>	<i>SEAL KIT, SGL MECH, CE/CA, VITON - ZP2 30/34/40</i>	<i>1</i>
4	<i>P2GS030030-V</i>	<i>SEAL KIT, SGL MECH, CE/CE, VITON - ZP2 30/34/40</i>	<i>1</i>
5	<b>P2GS030010-N</b>	<b>SEAL KIT, SGL MECH, SC/SC, BUNA - ZP2 30/34/40</b>	<b>1</b>
	<i>P2GS030010-E</i>	<i>SEAL KIT, SGL MECH, SC/SC, EPDM - ZP2 30/34/40</i>	<i>1</i>
	<i>P2GS030010-V</i>	<i>SEAL KIT, SGL MECH, SC/SC, VITON - ZP2 30/34/40</i>	<i>1</i>
49	<b>P2GX101692</b>	<b>BELLEVILLE WASHER, SS - ZP2 30/34</b>	<b>2</b>
50	<b>P2SX101805</b>	<b>ROTOR NUT - ZP2 30/34</b>	<b>2</b>



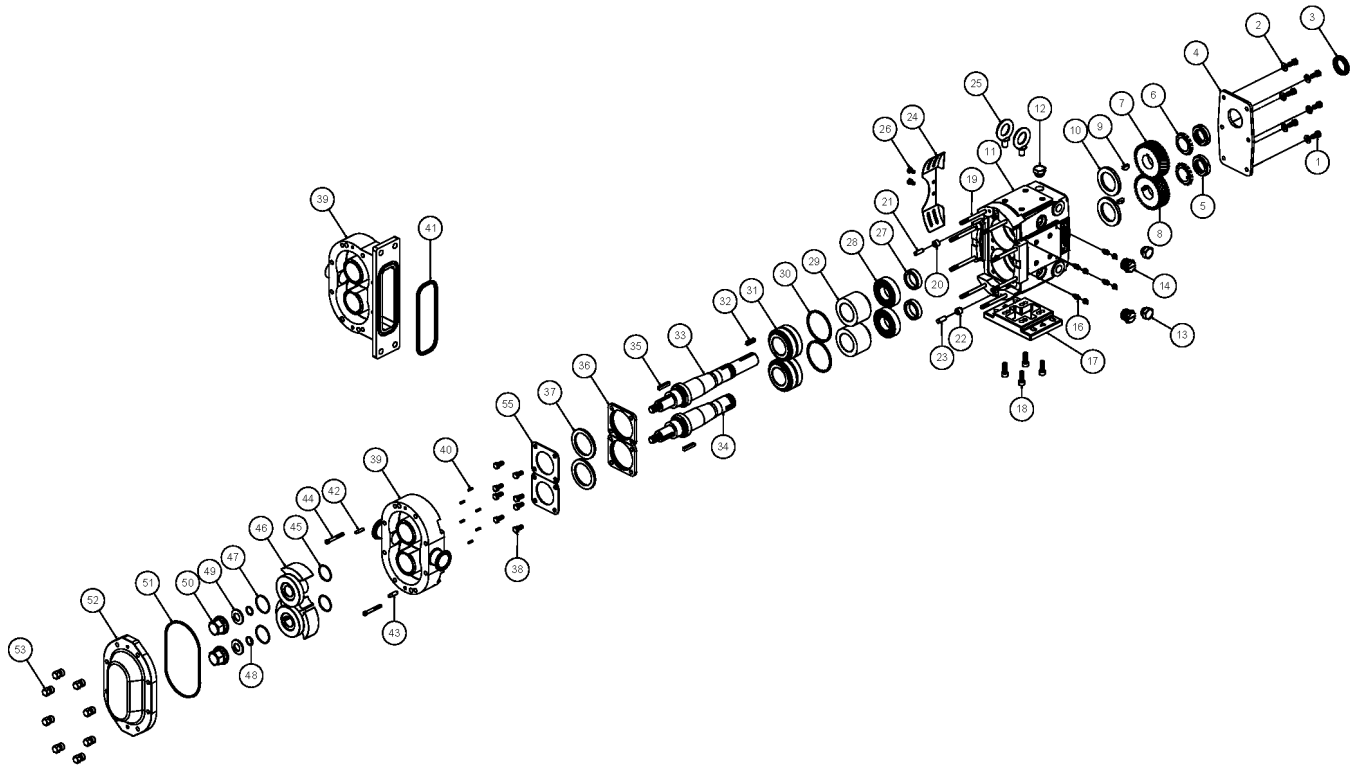
45	Inner Seal O-Ring
47	Rotor Nut O-Ring
48	Retainer O-Ring
51	Cover O-Ring
58	Shaft O-Ring
60*	Outer Seal Wave Spring
61	Outer Seal O-Ring
62*	Outer Seal
63	Rotor Hub O-Ring
56*	Wave Spring
57*	Seal Inner
59*	Seal Seat

\* Not included with Elastomer Only Kits

**Double Mechanical Seal Kit**

*Optional Items Shown in ITALICS*

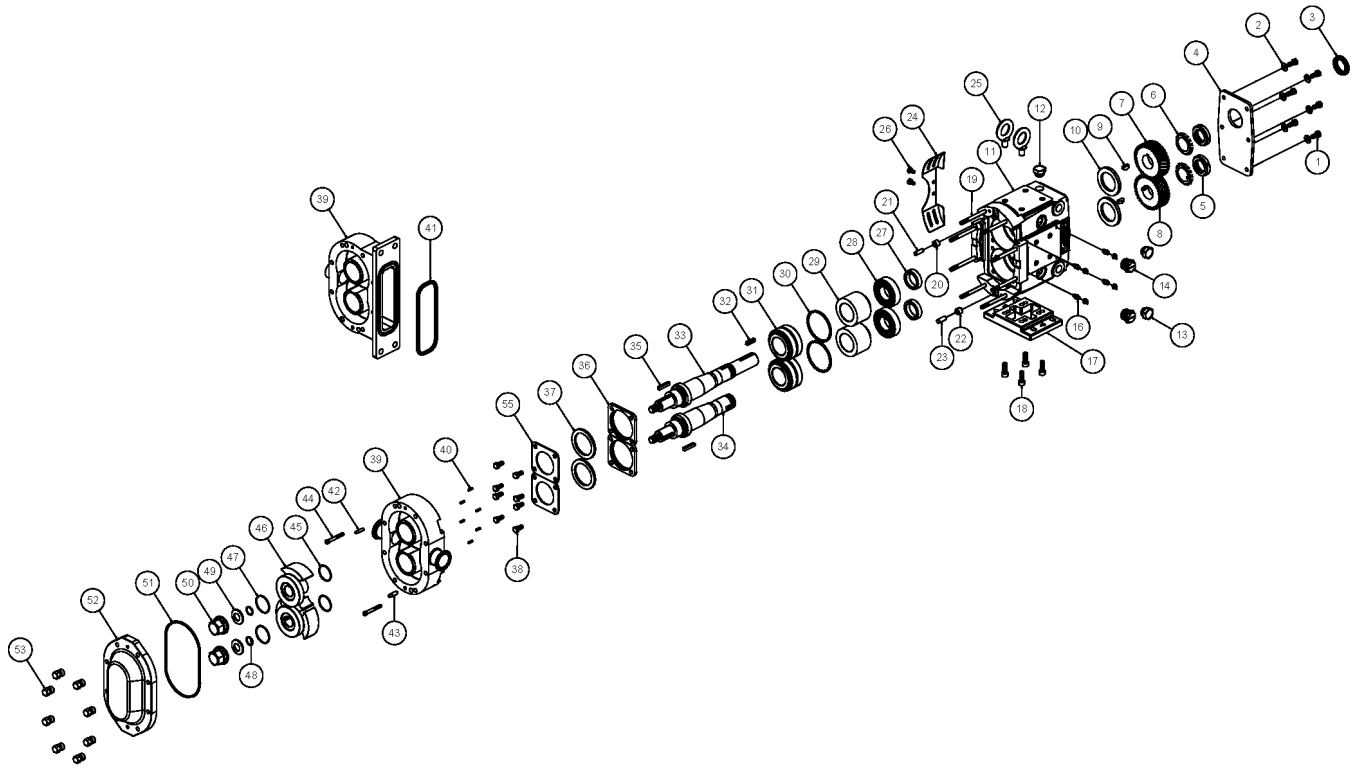
Ref #	Component Item No.	Description	Qty Per
1	<b>P2GX030200-N</b>	<b>SEAL KIT, DBL MECH, ELASTOMERS ONLY, BUNA - ZP2 30/34/40</b>	<b>1</b>
	<i>P2GX030200-E</i>	<i>SEAL KIT, DBL MECH, ELASTOMERS ONLY, EPDM - ZP2 30/34/40</i>	<i>1</i>
	<i>P2GX030200-V</i>	<i>SEAL KIT, DBL MECH, ELASTOMERS ONLY, VITON - ZP2 30/34/40</i>	<i>1</i>
2	<b>P2GS030200-N</b>	<b>SEAL KIT, DBL MECH, SC/CA/CA, BUNA - ZP2 30/34/40</b>	<b>1</b>
	<i>P2GS030200-E</i>	<i>SEAL KIT, DBL MECH, SC/CA/CA, EPDM - ZP2 30/34/40</i>	<i>1</i>
	<i>P2GS030200-V</i>	<i>SEAL KIT, DBL MECH, SC/CA/CA, VITON - ZP2 30/34/40</i>	<i>1</i>
3	<b>P2GS030220-N</b>	<b>SEAL KIT, DBL MECH, CE/CA/CA, BUNA - ZP2 30/34/40</b>	<b>1</b>
	<i>P2GS030220-E</i>	<i>SEAL KIT, DBL MECH, CE/CA/CA, EPDM - ZP2 30/34/40</i>	<i>1</i>
	<i>P2GS030220-V</i>	<i>SEAL KIT, DBL MECH, CE/CA/CA, VITON - ZP2 30/34/40</i>	<i>1</i>
4	<b>P2GS030230-N</b>	<b>SEAL KIT, DBL MECH, CE/CE/CA, BUNA - ZP2 30/34/40</b>	<b>1</b>
5	<b>P2GS030210-N</b>	<b>SEAL KIT, DBL MECH, SC/SC/CA, BUNA - ZP2 30/34/40</b>	<b>1</b>
	<i>P2GS030210-E</i>	<i>SEAL KIT, DBL MECH, SC/SC/CA, EPDM - ZP2 30/34/40</i>	<i>1</i>
	<i>P2GS030210-V</i>	<i>SEAL KIT, DBL MECH, SC/SC/CA, VITON - ZP2 30/34/40</i>	<i>1</i>
49	<b>P2GX101692</b>	<b>BELLEVILLE WASHER, SS - ZP2 30/34</b>	<b>2</b>
50	<b>P2SX101805</b>	<b>ROTOR NUT - ZP2 30/34</b>	<b>2</b>



**Exploded View**

*Optional Items Shown in ITALICS*

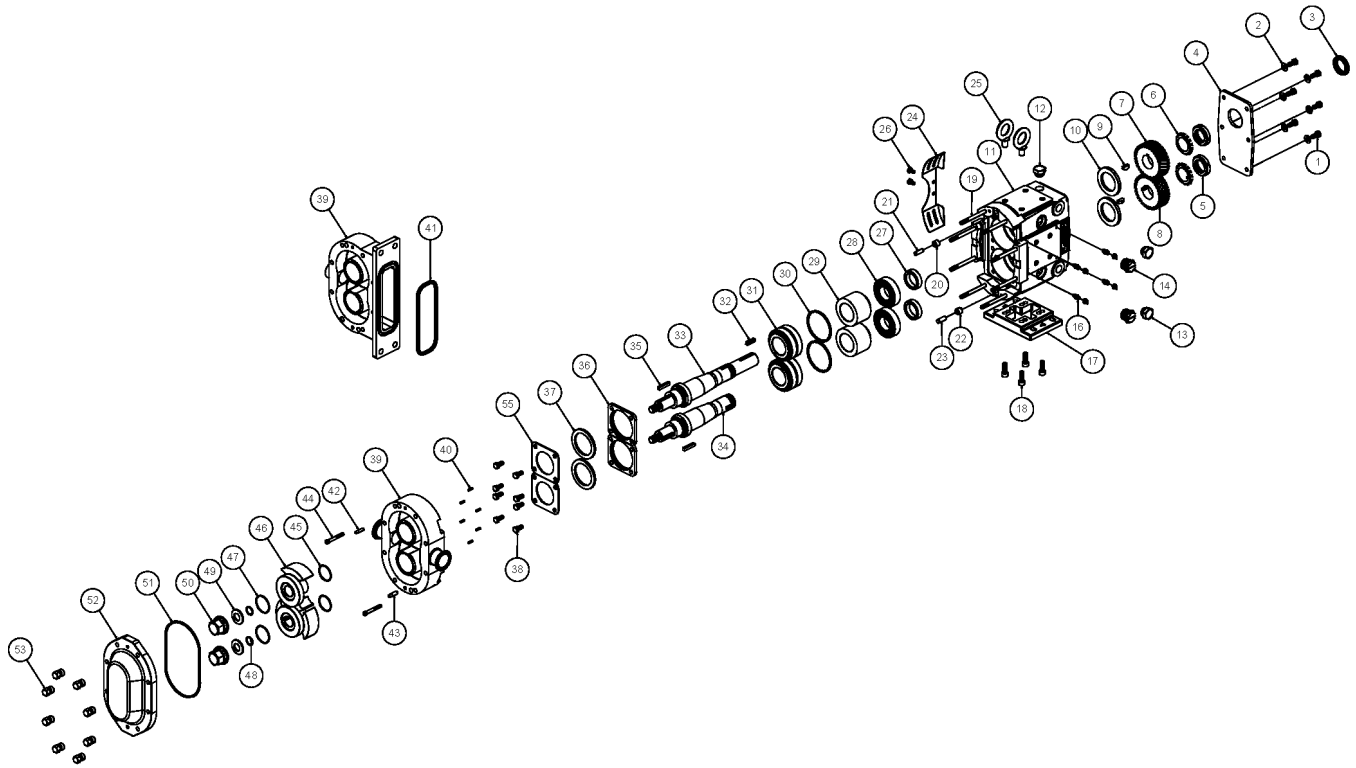
Ref #	Component Item No.	Description	Qty Per
1	P1GX30-50	GEAR CASE COVER BOLT - 3/8-16 X 3/4 HHCS (18-8 SS)	6
2	P1GX43-189	GEAR CASE COVER WASHER - 3/8 FLAT WASHER (18-8 SS)	6
3	P1GX000030012	OIL SEAL, GEAR CASE COVER - ZP1 & ZP2 45/60/64/130/134	1
4	P1SX070106000	GEAR CASE COVER, SS - ZP1 & ZP2 45/60/64/130/134	1
5	P1GXSTD236009	GEAR LOCKNUT ZP1 & ZP2 45/60/64/130/134	2
6	P1GXSTD136009	GEAR LOCKWASHER ZP1 & ZP2 45/60/64/130/134	2
7	P1GX060007001	GEAR DRIVE SHAFT ZP1 & ZP2 45/60/64/130/134	1
8	P1GX060007002	GEAR SHORT SHAFT ZP1 & ZP2 45/60/64/130/134	1
9	P1GX060037000	GEAR KEY - ZP1 & ZP2 45/60/64/130/134	2
10	P1GX000030011	OIL SEAL REAR - ZP1 & ZP2 45/60/64/130/134	2
11	P1SX070005000	GEAR CASE, SS - ZP1 & ZP2 45/60/64/130/134	1
12	P1GX115798	PLUG,HEX,20M X1.5,W/NBR SEAL	5
13	P1GX115799	GAUGE,OIL,LVL,INDIC,M-20X1.5	1
14	P1GX70PLUG-SS	CLEAN OUT PLUG, SS - ZP1 & ZP2 45/60/64/130/134	4
	<i>P1GX70PLUG</i>	<i>CLEAN OUT PLUG, YELLOW - ZP1 &amp; ZP2 45/60/64/130/134</i>	4
16	P1GXB0092001	GREASE FITTING, THREADED 1/4"-28 TAPER, SS	8
17	P1SX070110000	GEAR CASE BASE, SS - ZP1 & ZP2 45/60/64/130/134	1
18	P1GX60SHCSGCB	SHCS, G. CASE BASE, (18-8 SS) 1/2-13 X 1.5" ZP1 & ZP2 60/130	4
19	P2GX107242	STUD, ZP2 45	8
	<i>P2GX111584</i>	<i>STUD, JACKETED COVER, ZP2 45</i>	8
20	P1GXCD0116000	UPPER DOWEL BUSHING - ZP1 & ZP2 45/60/64/130/134/180/220/224	1
21	P1GX124584	DOWEL PIN - ZP1 & ZP2 45/60/64/130/134	1
22	P1GXCD0116100	LOWER DOWEL BUSHING - ZP1 & ZP2 45/60/64/130/134/180/220/224	1
23	P1GX124586	DOWEL PIN - ZP1 & ZP2 45/60/64/130/134	1
24	P1SX070CEGUARD	GUARD,45-134,(CE),GC,SS	2
25	P1GXEYEBOLT-SS	EYE BOLT,60-224,SS	2
26	P1GX000CENAIL	DRIVENAIL,ZP,GEAR CASE GUARDS	4



**Exploded View**

*Optional Items Shown in ITALICS*

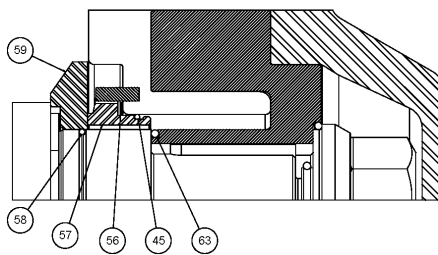
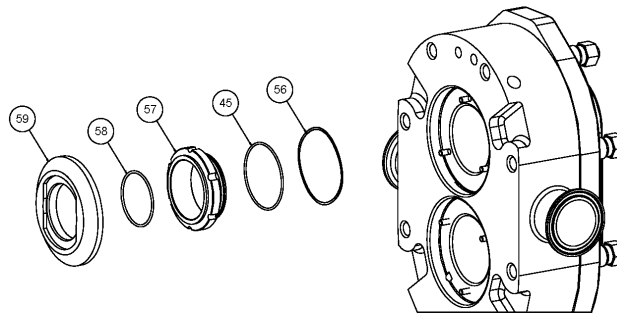
Ref #	Component Item No.	Description	Qty Per
27	P1GX107187	GEAR TO REAR BEARING SPACER - ZP1 & ZP2 45/60/64/130/134	2
28	P1GX107186	REAR BEARING - ZP1 & ZP2 45/60/64/130/134	2
29	P1GX060055003	BEARING SPACER - ZP1 & ZP2 45/60/64/130/134	2
30	P1GX117891	SHIM KIT - ZP1 & ZP2 45/60/64/130/134	2
31	P1GX060036000	FRONT BEARING - ZP1 & ZP2 45/60/64/130/134	2
32	P1GX000037003	DRIVE KEY, 3/8" SQ. X 1-5/8" - ZP1 & ZP2 45/60/64/130/134	1
33	P2SX110021	DRIVE SHAFT (17-4PH) - ZP2 45	1
34	P2SX110022	SHORT SHAFT (17-4PH) - ZP2 45	1
35	P2SX110926	ROTOR KEY - ZP2 45	2
36	P1SX121828	BEARING RETAINER, NEW STYLE 3A - ZP1 & ZP2 60/64/130/134	2
37	P2GX101829	BEARING RETAINER GREASE SEAL - ZP2 45/60/64/130/134	2
39	P2BDY045001000	BODY - ZP2 45	1
	<i>P2BDY045001F00</i>	<i>BODY - ZP2 45 - FLUSHED</i>	1
40	P2GX101720	STOP PIN,SEAL - ZP2 45/60/64/130/134/180/220/224	6
42	P1GX124582	DOWEL PIN - ZP1 & ZP2 45/60/64/130/134	1
43	P1GX124583	DOWEL PIN - ZP1 & ZP2 45/60/64/130/134	1
44	P1GX30-615	CAPSCRW,SH,5/16-18X2-1/2,18-8S SCKT HD	2
45	N70035	O-RING, INNER SEAL (BUNA) - ZP2 45/60/64/130/134	2
	<i>E70035</i>	<i>O-RING, INNER SEAL (EPDM) - ZP2 45/60/64/130/134</i>	2
	<i>V70035</i>	<i>O-RING, INNER SEAL (VITON) - ZP2 45/60/64/130/134</i>	2
46	P2RTB045010000	ROTOR TWIN BLADE - ZP2 45 (STD) - ALLOY 88	2
	<i>P2RTB04501000H</i>	<i>ROTOR TWIN BLADE - ZP2 45 (STD) - ALLOY 88 - HOT CLEARANCE</i>	2
	<i>P2RTB045010200</i>	<i>ROTOR TWIN BLADE - ZP2 45 (STD) - 316L</i>	2
47	N70227	O-RING, ROTOR NUT (BUNA) - ZP2 45/60/64/130/134	2
	<i>E70227</i>	<i>O-RING, ROTOR NUT (EPDM) - ZP2 45/60/64/130/134</i>	2
	<i>V70227</i>	<i>O-RING, ROTOR NUT (VITON) - ZP2 45/60/64/130/134</i>	2
48	N70119	O-RING, RETAINER (BUNA) - ZP2 45/60/64/130/134	2



**Exploded View**

*Optional Items Shown in ITALICS*

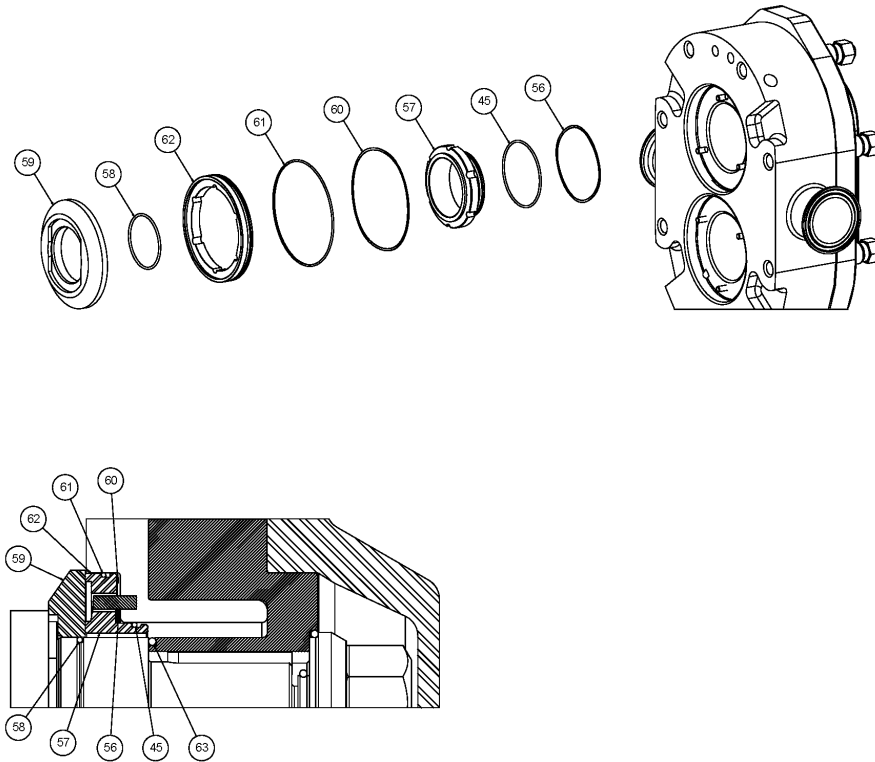
Ref #	Component Item No.	Description	Qty Per
48	<i>E70119</i>	<i>O-RING, RETAINER (EPDM) - ZP2 45/60/64/130/134</i>	2
	<i>V70119</i>	<i>O-RING, RETAINER (VITON) - ZP2 45/60/64/130/134</i>	2
49	<b>P2GX101693</b>	<b>BELLEVILLE WASHER, SS - ZP2 45/60/64/130/134</b>	2
50	<b>P2SX101806</b>	<b>ROTOR NUT - ZP2 45/60/64/130/134</b>	2
51	<b>N70373</b>	<b>O-RING, COVER (BUNA) - ZP2 45/60/64/130/134</b>	1
	<i>E70373</i>	<i>O-RING, COVER (EPDM) - ZP2 45/60/64/130/134</i>	1
	<i>V70373</i>	<i>O-RING, COVER (VITON) - ZP2 45/60/64/130/134</i>	1
52	<b>P2CVR101848</b>	<b>COVER - ZP2 45/60/64/130/134</b>	1
	<i>P2CVR107668</i>	<i>COVER, JACKETED - ZP2 45/60/64/130/134</i>	1
53	<b>P1SX108371</b>	<b>COVER HEX NUT - ZP1 &amp; ZP2 45/60/64/130/134</b>	8
	<i>P1GX105852</i>	<i>WING NUT - ZP1 &amp; ZP2 45/60/64/130/134</i>	8
55	<b>P2SX070SPATE</b>	<b>BEARING RETAINER SPLASH PLATE - ZP2 45/60/64/130/134</b>	2



**Single Mechanical Seal**

*Optional Items Shown in ITALICS*

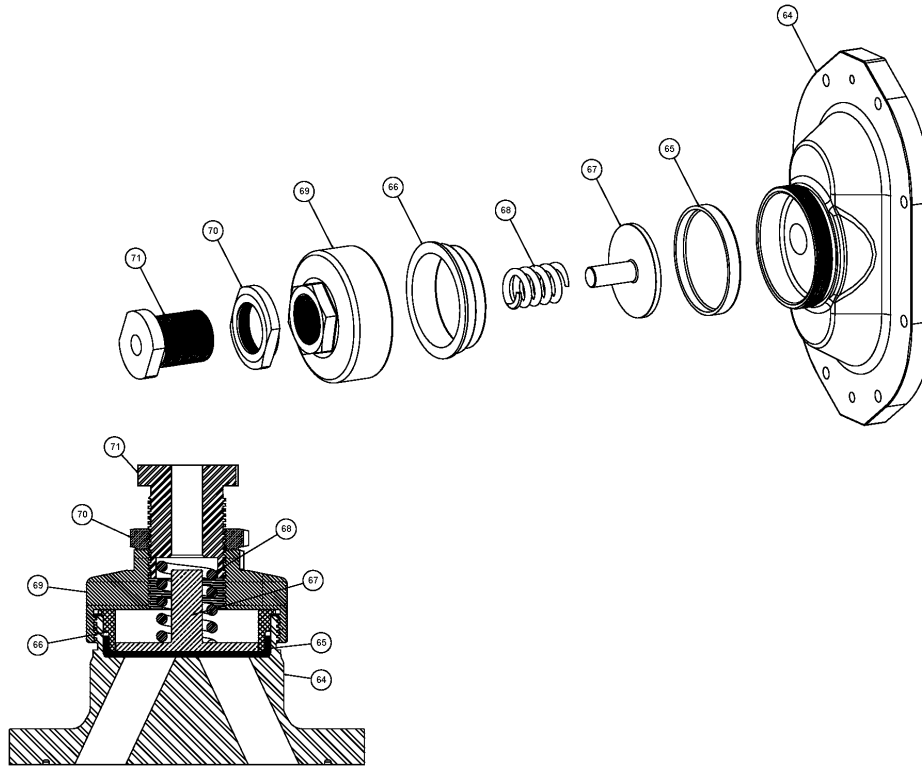
Ref #	Component Item No.	Description	Qty Per
45	<b>N70035</b>	<b>O-RING, INNER SEAL (BUNA) - ZP2 45/60/64/130/134</b>	<b>2</b>
	<i>E70035</i>	<i>O-RING, INNER SEAL (EPDM) - ZP2 45/60/64/130/134</i>	2
	<i>V70035</i>	<i>O-RING, INNER SEAL (VITON) - ZP2 45/60/64/130/134</i>	2
56	<b>P2GS101687</b>	<b>INNER SEAL WAVE SPRING - ZP2 45/60/64/130/134</b>	<b>2</b>
57	<b>P2GS101661</b>	<b>INNER SEAL (C) ZP2 45/60/64/130/134</b>	<b>2</b>
	<i>P2GS101660</i>	<i>INNER SEAL (K) - ZP2 45/60/64/130/134</i>	2
	<i>P2GS101659</i>	<i>INNER SEAL (N) - ZP2 45/60/64/130/134</i>	2
58	<b>N70133</b>	<b>O-RING, SHAFT (BUNA) - ZP2 45/60/64/130/134</b>	<b>2</b>
	<i>E70133</i>	<i>O-RING, SHAFT (EPDM) - ZP2 45/60/64/130/134</i>	2
	<i>V70133</i>	<i>O-RING, SHAFT (VITON) - ZP2 45/60/64/130/134</i>	2
59	<b>P2GS101674</b>	<b>SEAL SEAT (C) ZP2 45/60/64/130/134</b>	<b>2</b>
	<i>P2GS101673</i>	<i>SEAL SEAT (K) ZP2 45/60/64/130/134</i>	2
63	<b>N70224</b>	<b>O-RING, ROTOR HUB (BUNA) - ZP2 45/60/64/130/134</b>	<b>2</b>
	<i>E70224</i>	<i>O-RING, ROTOR HUB (EPDM) - ZP2 45/60/64/130/134</i>	2
	<i>V70224</i>	<i>O-RING, ROTOR HUB (VITON) - ZP2 45/60/64/130/134</i>	2



**Double Mechanical Seal**

*Optional Items Shown in ITALICS*

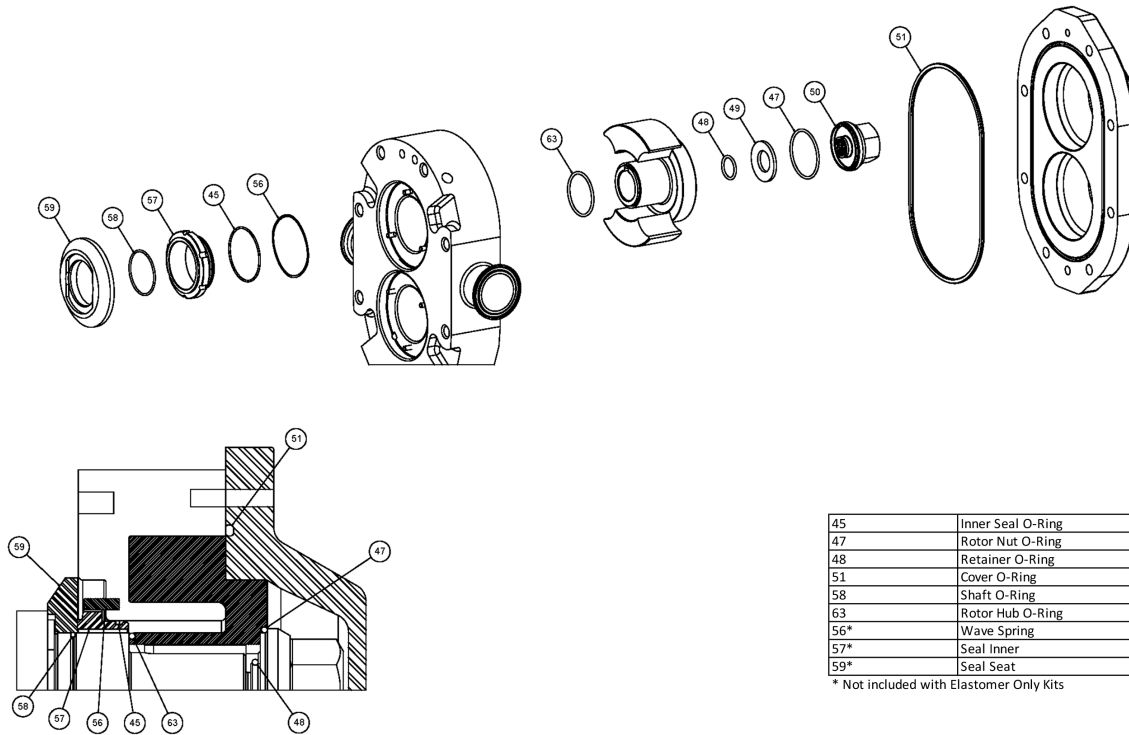
Ref #	Component Item No.	Description	Qty Per
45	<b>N70035</b>	<b>O-RING, INNER SEAL (BUNA) - ZP2 45/60/64/130/134</b>	<b>2</b>
	<i>E70035</i>	<i>O-RING, INNER SEAL (EPDM) - ZP2 45/60/64/130/134</i>	2
	<i>V70035</i>	<i>O-RING, INNER SEAL (VITON) - ZP2 45/60/64/130/134</i>	2
56	<b>P2GS101687</b>	<b>INNER SEAL WAVE SPRING - ZP2 45/60/64/130/134</b>	<b>2</b>
57	<b>P2GS101661</b>	<b>INNER SEAL (C) ZP2 45/60/64/130/134</b>	<b>2</b>
	<i>P2GS101660</i>	<i>INNER SEAL (K) - ZP2 45/60/64/130/134</i>	2
	<i>P2GS101659</i>	<i>INNER SEAL (N) - ZP2 45/60/64/130/134</i>	2
58	<b>N70133</b>	<b>O-RING, SHAFT (BUNA) - ZP2 45/60/64/130/134</b>	<b>2</b>
	<i>E70133</i>	<i>O-RING, SHAFT (EPDM) - ZP2 45/60/64/130/134</i>	2
	<i>V70133</i>	<i>O-RING, SHAFT (VITON) - ZP2 45/60/64/130/134</i>	2
59	<b>P2GS101674</b>	<b>SEAL SEAT (C) ZP2 45/60/64/130/134</b>	<b>2</b>
	<i>P2GS101673</i>	<i>SEAL SEAT (K) ZP2 45/60/64/130/134</i>	2
60	<b>P2GS101688</b>	<b>OUTER SEAL WAVE SPRING - ZP2 45/60/64/130/134</b>	<b>2</b>
61	<b>N70043</b>	<b>O-RING, OUTER SEAL (BUNA) - ZP2 45/60/64/130/134</b>	<b>2</b>
	<i>E70043</i>	<i>O-RING, OUTER SEAL (EPDM) - ZP2 45/60/64/130/134</i>	2
	<i>V70043</i>	<i>O-RING, OUTER SEAL (VITON) - ZP2 45/60/64/130/134</i>	2
62	<b>P2GS101681</b>	<b>OUTER SEAL (N) ZP2 45/60/64/130/134</b>	<b>2</b>
63	<b>N70224</b>	<b>O-RING, ROTOR HUB (BUNA) - ZP2 45/60/64/130/134</b>	<b>2</b>
	<i>E70224</i>	<i>O-RING, ROTOR HUB (EPDM) - ZP2 45/60/64/130/134</i>	2
	<i>V70224</i>	<i>O-RING, ROTOR HUB (VITON) - ZP2 45/60/64/130/134</i>	2



**Pressure Relief Cover**

*Optional Items Shown in ITALICS*

Ref #	Component Item No.	Description	Qty Per
64	P2CVR103671	VENTED FRONT COVER, ZP2 - 45/60/64/130/134	1
65	P1GXCD0078000	RUBBER DIAPHRAGM, BUNA, ZP1 & ZP2 & ZP3 - 60/64/130/134	1
	<i>P1GXCD0078E00</i>	<i>RUBBER DIAPHRAGM, EPDM, ZP1 &amp; ZP2 &amp; ZP3 - 60/64/130/134</i>	1
	<i>P1GXCD0078V00</i>	<i>RUBBER DIAPHRAGM, VITON, ZP1 &amp; ZP2 &amp; ZP3 - 60/64/130/134</i>	1
66	P1SXCD0077000	DIAPHRAGM BUSHING, ZP1 & ZP2 & ZP3 - 60/64/130/134	1
67	P1SX113397	SPRING PLUNGER, ZP1 & ZP2 & ZP3 - 60/64/130/134	1
68	P1SX113523	SPRING, MEDIUM, (LESS THAN 150 PSI), ZP1 & ZP2 & ZP3 - 60/64/130/134	1
	<i>P1SX113400</i>	<i>SPRING, HIGH, (MORE THAN 150 PSI), ZP1 &amp; ZP2 &amp; ZP3 - 60/64/130/134</i>	1
69	P1SX113398	COVER NUT, ZP1 & ZP2 & ZP3 - 60/64/130/134	1
70	P1SXGD0074000	LOCKNUT, ZP1 & ZP2 & ZP3 - 60/64/130/134/180/184/220/224	1
71	P1SX113657	ADJUSTING SCREW, ZP1 & ZP2 & ZP3 - 60/64/130/134/180/184/220/224	1



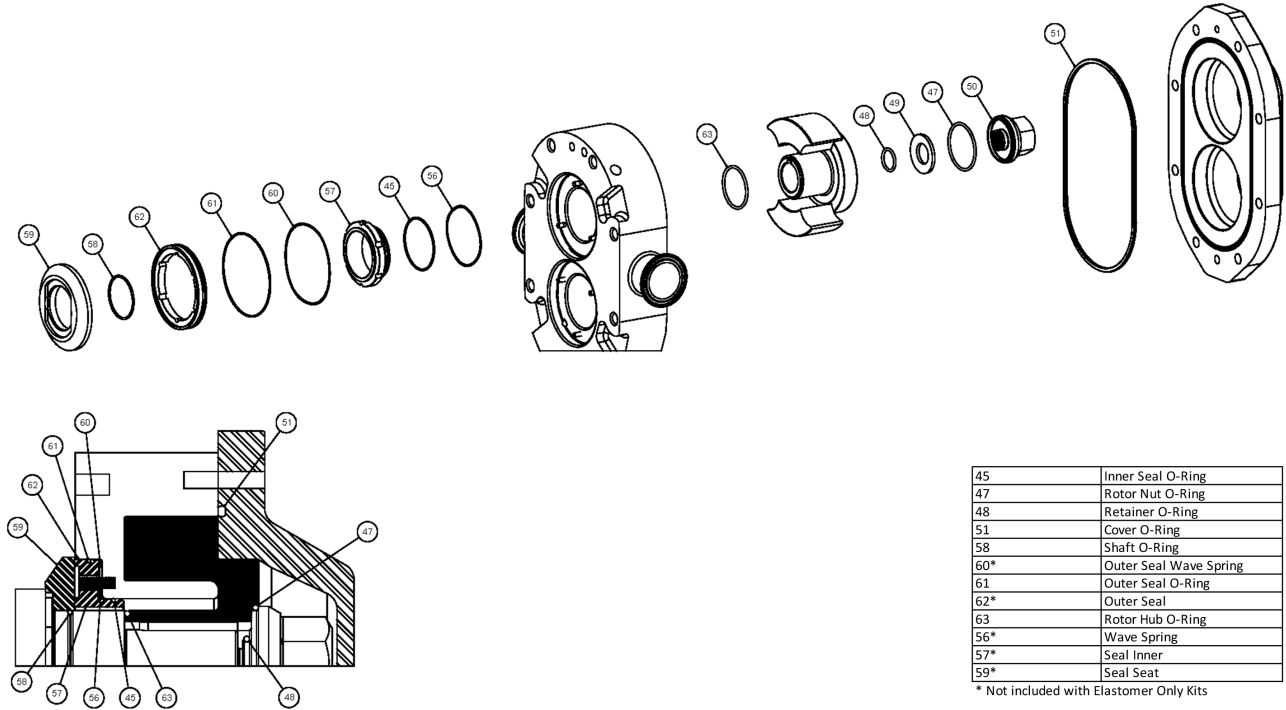
45	Inner Seal O-Ring
47	Rotor Nut O-Ring
48	Retainer O-Ring
51	Cover O-Ring
58	Shaft O-Ring
63	Rotor Hub O-Ring
56*	Wave Spring
57*	Seal Inner
59*	Seal Seat

\* Not included with Elastomer Only Kits

**Single Mechanical Seal Kit**

*Optional Items Shown in ITALICS*

Ref #	Component Item No.	Description	Qty Per
1	<b>P2GX060000-N</b>	<b>SEAL KIT, SGL MECH, ELASTOMERS ONLY, BUNA - ZP2 45/60/64/130/134</b>	<b>1</b>
	<i>P2GX060000-E</i>	<i>SEAL KIT, SGL MECH, ELASTOMERS ONLY, EPDM - ZP2 45/60/64/130/134</i>	<i>1</i>
	<i>P2GX060000-V</i>	<i>SEAL KIT, SGL MECH, ELASTOMERS ONLY, VITON - ZP2 45/60/64/130/134</i>	<i>1</i>
2	<b>P2GS060000-N</b>	<b>SEAL KIT, SGL MECH, SC/CA, BUNA - ZP2 45/60/64/130/134</b>	<b>1</b>
	<i>P2GS060000-E</i>	<i>SEAL KIT, SGL MECH, SC/CA, EPDM - ZP2 45/60/64/130/134</i>	<i>1</i>
	<i>P2GS060000-V</i>	<i>SEAL KIT, SGL MECH, SC/CA, VITON - ZP2 45/60/64/130/134</i>	<i>1</i>
3	<b>P2GS060020-N</b>	<b>SEAL KIT, SGL MECH, CE/CA, BUNA - ZP2 45/60/64/130/134</b>	<b>1</b>
	<i>P2GS060020-E</i>	<i>SEAL KIT, SGL MECH, CE/CA, EPDM - ZP2 45/60/64/130/134</i>	<i>1</i>
	<i>P2GS060020-V</i>	<i>SEAL KIT, SGL MECH, CE/CA, VITON - ZP2 45/60/64/130/134</i>	<i>1</i>
4	<i>P2GS060030-V</i>	<i>SEAL KIT, SGL MECH, CE/CE, VITON - ZP2 45/60/64/130/134</i>	<i>1</i>
5	<b>P2GS060010-N</b>	<b>SEAL KIT, SGL MECH, SC/SC, BUNA - ZP2 45/60/64/130/134</b>	<b>1</b>
	<i>P2GS060010-E</i>	<i>SEAL KIT, SGL MECH, SC/SC, EPDM - ZP2 45/60/64/130/134</i>	<i>1</i>
	<i>P2GS060010-V</i>	<i>SEAL KIT, SGL MECH, SC/SC, VITON - ZP2 45/60/64/130/134</i>	<i>1</i>
49	<b>P2GX101693</b>	<b>BELLEVILLE WASHER, SS - ZP2 45/60/64/130/134</b>	<b>2</b>
50	<b>P2SX101806</b>	<b>ROTOR NUT - ZP2 45/60/64/130/134</b>	<b>2</b>



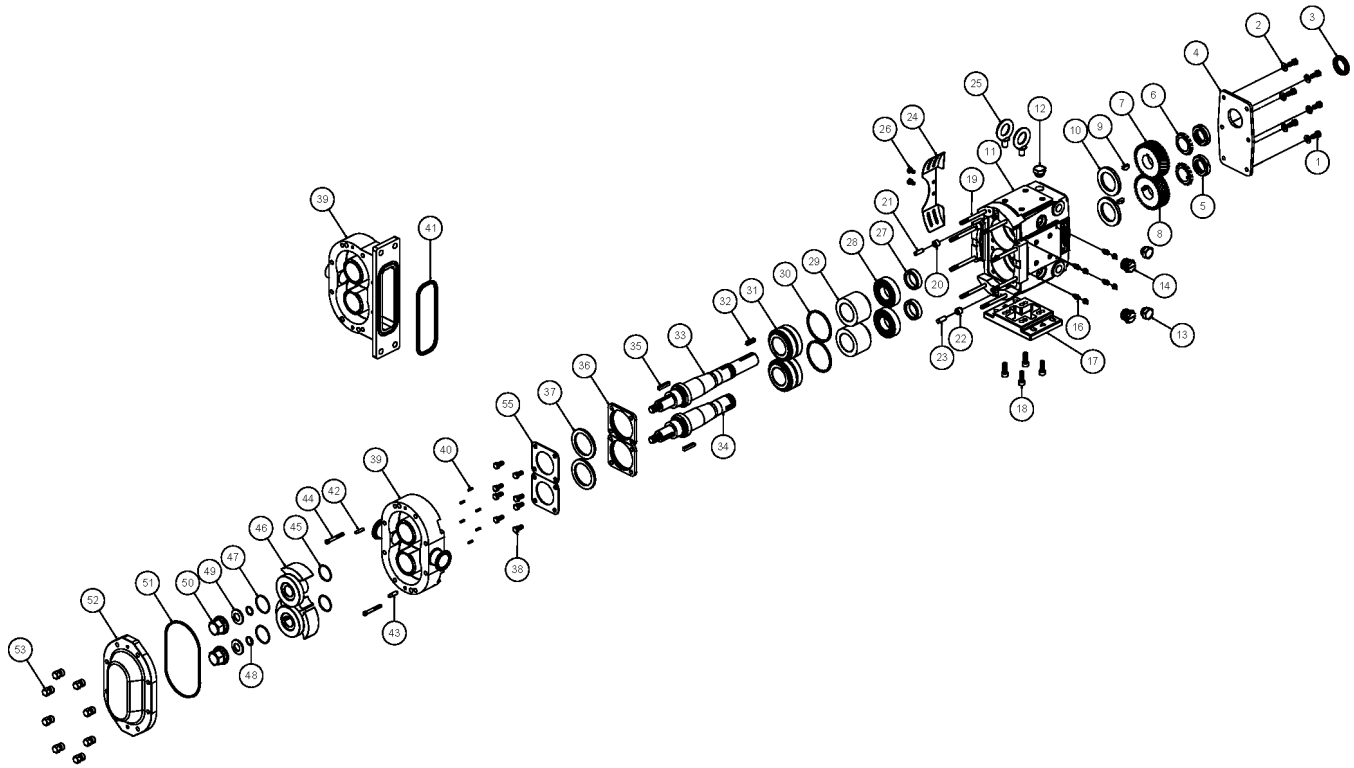
45	Inner Seal O-Ring
47	Rotor Nut O-Ring
48	Retainer O-Ring
51	Cover O-Ring
58	Shaft O-Ring
60*	Outer Seal Wave Spring
61	Outer Seal O-Ring
62*	Outer Seal
63	Rotor Hub O-Ring
56*	Wave Spring
57*	Seal Inner
59*	Seal Seat

\* Not included with Elastomer Only Kits

**Double Mechanical Seal Kit**

*Optional Items Shown in ITALICS*

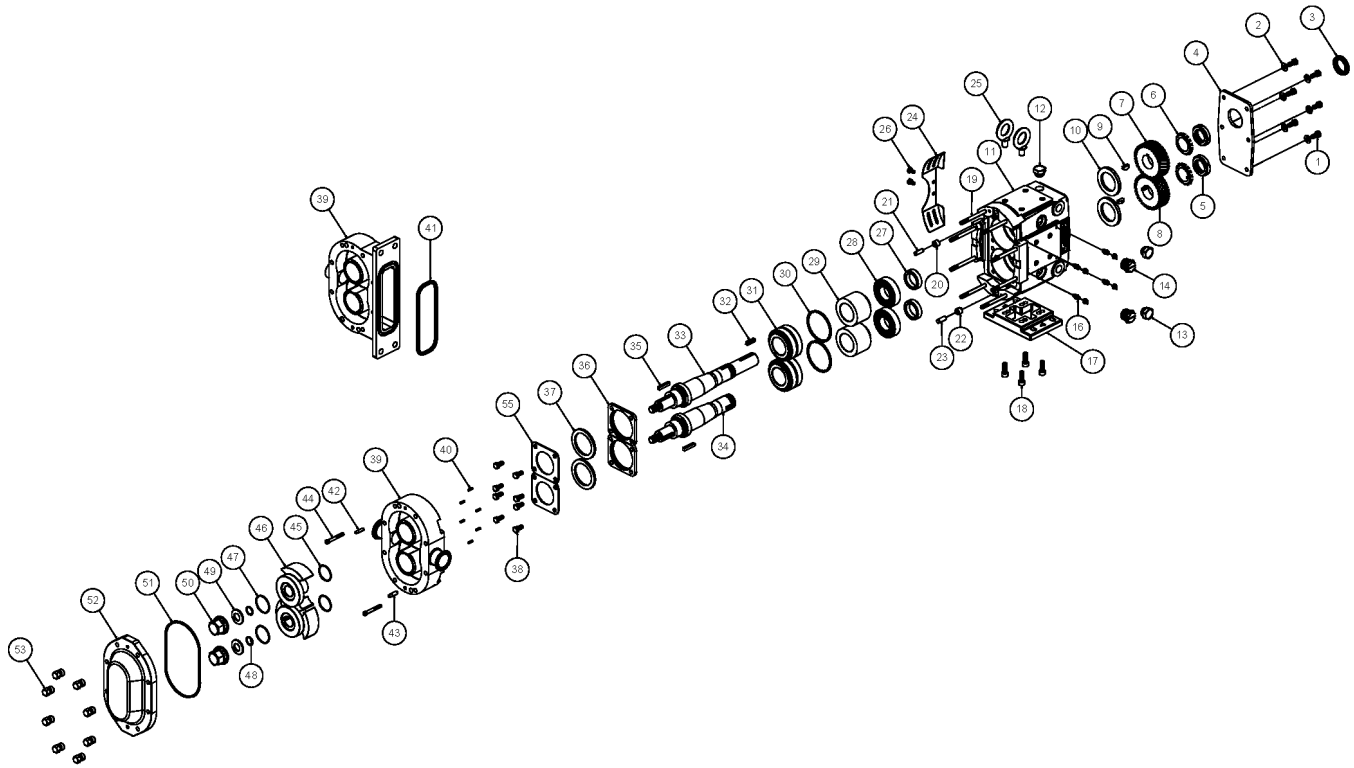
Ref #	Component Item No.	Description	Qty Per
1	<b>P2GX060200-N</b>	<b>SEAL KIT, DBL MECH, ELASTOMERS ONLY, BUNA - ZP2 45/60/64/130/134</b>	<b>1</b>
	<i>P2GX060200-E</i>	<i>SEAL KIT, DBL MECH, ELASTOMERS ONLY, EPDM - ZP2 45/60/64/130/134</i>	<i>1</i>
	<i>P2GX060200-V</i>	<i>SEAL KIT, DBL MECH, ELASTOMERS ONLY, VITON - ZP2 45/60/64/130/134</i>	<i>1</i>
2	<b>P2GS060200-N</b>	<b>SEAL KIT, DBL MECH, SC/CA/CA, BUNA - ZP2 45/60/64/130/134</b>	<b>1</b>
	<i>P2GS060200-E</i>	<i>SEAL KIT, DBL MECH, SC/CA/CA, EPDM - ZP2 45/60/64/130/134</i>	<i>1</i>
	<i>P2GS060200-V</i>	<i>SEAL KIT, DBL MECH, SC/CA/CA, VITON - ZP2 45/60/64/130/134</i>	<i>1</i>
3	<b>P2GS060220-N</b>	<b>SEAL KIT, DBL MECH, CE/CA/CA, BUNA - ZP2 45/60/64/130/134</b>	<b>1</b>
	<i>P2GS060220-E</i>	<i>SEAL KIT, DBL MECH, CE/CA/CA, EPDM - ZP2 45/60/64/130/134</i>	<i>1</i>
	<i>P2GS060220-V</i>	<i>SEAL KIT, DBL MECH, CE/CA/CA, VITON - ZP2 45/60/64/130/134</i>	<i>1</i>
4	<b>P2GS060230-N</b>	<b>SEAL KIT, DBL MECH, CE/CE/CA, BUNA - ZP2 45/60/64/130/134</b>	<b>1</b>
5	<b>P2GS060210-N</b>	<b>SEAL KIT, DBL MECH, SC/SC/CA, BUNA - ZP2 45/60/64/130/134</b>	<b>1</b>
	<i>P2GS060210-E</i>	<i>SEAL KIT, DBL MECH, SC/SC/CA, EPDM - ZP2 45/60/64/130/134</i>	<i>1</i>
	<i>P2GS060210-V</i>	<i>SEAL KIT, DBL MECH, SC/SC/CA, VITON - ZP2 45/60/64/130/134</i>	<i>1</i>
49	<b>P2GX101693</b>	<b>BELLEVILLE WASHER, SS - ZP2 45/60/64/130/134</b>	<b>2</b>
50	<b>P2SX101806</b>	<b>ROTOR NUT - ZP2 45/60/64/130/134</b>	<b>2</b>



**Exploded View**

*Optional Items Shown in ITALICS*

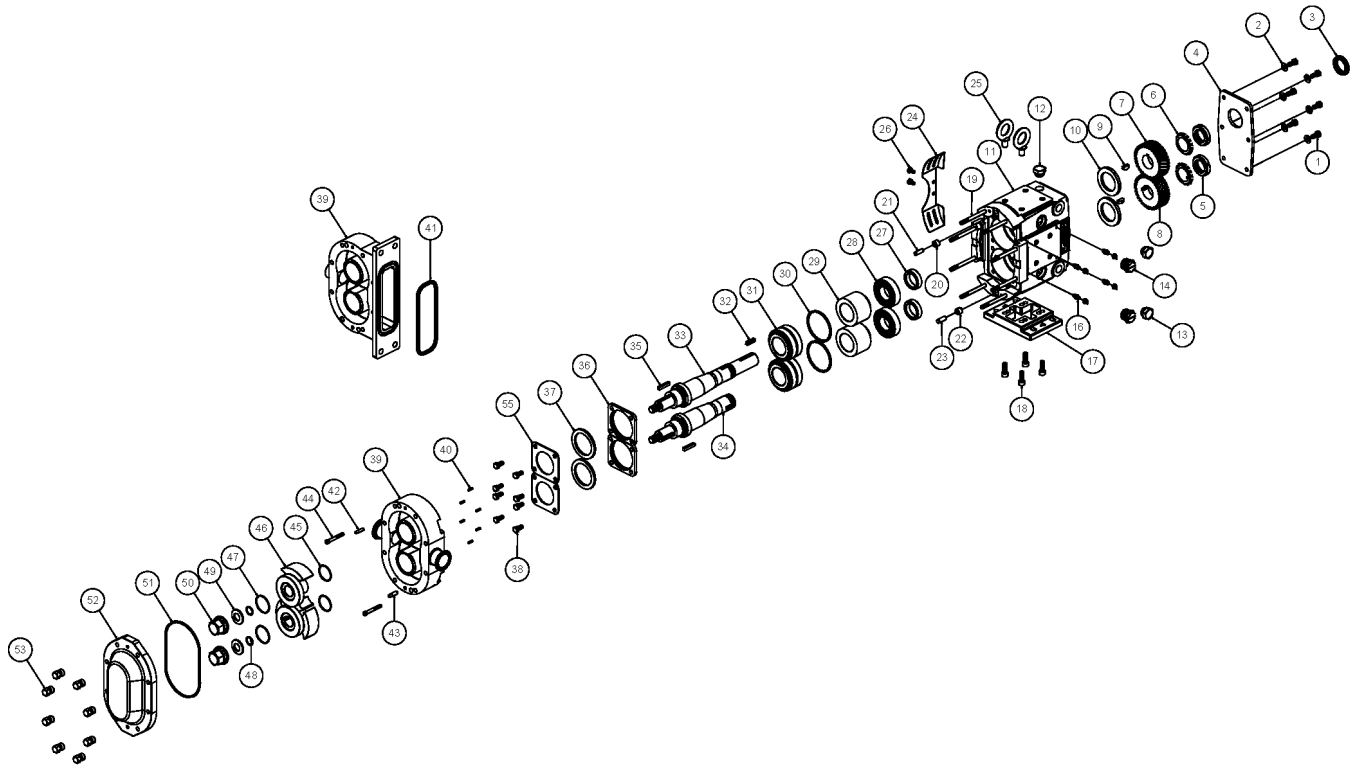
Ref #	Component Item No.	Description	Qty Per
1	P1GX30-50	GEAR CASE COVER BOLT - 3/8-16 X 3/4 HHCS (18-8 SS)	6
2	P1GX43-189	GEAR CASE COVER WASHER - 3/8 FLAT WASHER (18-8 SS)	6
3	P1GX000030012	OIL SEAL, GEAR CASE COVER - ZP1 & ZP2 45/60/64/130/134	1
4	P1SX070106000	GEAR CASE COVER, SS - ZP1 & ZP2 45/60/64/130/134	1
5	P1GXSTD236009	GEAR LOCKNUT ZP1 & ZP2 45/60/64/130/134	2
6	P1GXSTD136009	GEAR LOCKWASHER ZP1 & ZP2 45/60/64/130/134	2
7	P1GX060007001	GEAR DRIVE SHAFT ZP1 & ZP2 45/60/64/130/134	1
8	P1GX060007002	GEAR SHORT SHAFT ZP1 & ZP2 45/60/64/130/134	1
9	P1GX060037000	GEAR KEY - ZP1 & ZP2 45/60/64/130/134	2
10	P1GX000030011	OIL SEAL REAR - ZP1 & ZP2 45/60/64/130/134	2
11	P1SX070005000	GEAR CASE, SS - ZP1 & ZP2 45/60/64/130/134	1
12	P1GX115798	PLUG,HEX,20M X1.5,W/NBR SEAL	5
13	P1GX115799	GAUGE,OIL,LVL,INDIC,M-20X1.5	1
14	P1GX70PLUG-SS	CLEAN OUT PLUG, SS - ZP1 & ZP2 45/60/64/130/134	4
	<i>P1GX70PLUG</i>	<i>CLEAN OUT PLUG, YELLOW - ZP1 &amp; ZP2 45/60/64/130/134</i>	4
16	P1GXBD0092001	GREASE FITTING, THREADED 1/4"-28 TAPER, SS	8
17	P1SX070110000	GEAR CASE BASE, SS - ZP1 & ZP2 45/60/64/130/134	1
18	P1GX60SHCSGCB	SHCS, G. CASE BASE, (18-8 SS) 1/2-13 X 1.5" ZP1 & ZP2 60/130	4
19	P1GX108843	STUD, ZP2 60	8
	<i>P1GX108846</i>	<i>STUD, JACKETED COVER - ZP2 60</i>	8
20	P1GXCD0116000	UPPER DOWEL BUSHING - ZP1 & ZP2 45/60/64/130/134/180/220/224	1
21	P1GX124584	DOWEL PIN - ZP1 & ZP2 45/60/64/130/134	1
22	P1GXCD0116100	LOWER DOWEL BUSHING - ZP1 & ZP2 45/60/64/130/134/180/220/224	1
23	P1GX124586	DOWEL PIN - ZP1 & ZP2 45/60/64/130/134	1
24	P1SX070CEGUARD	GUARD,45-134,(CE),GC,SS	2
25	P1GXEYEBOLT-SS	EYE BOLT,60-224,SS	2
26	P1GX000CENAIL	DRIVENAIL,ZP,GEAR CASE GUARDS	4



**Exploded View**

*Optional Items Shown in ITALICS*

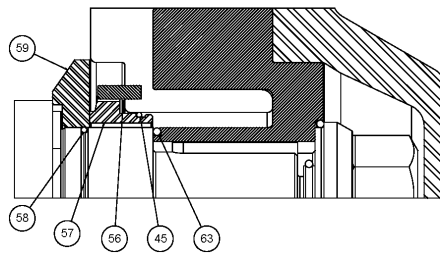
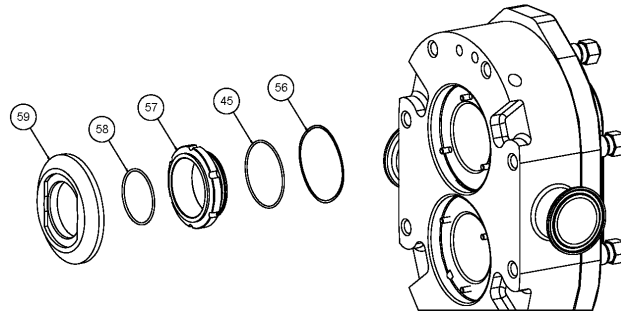
Ref #	Component Item No.	Description	Qty Per
27	P1GX107187	GEAR TO REAR BEARING SPACER - ZP1 & ZP2 45/60/64/130/134	2
28	P1GX107186	REAR BEARING - ZP1 & ZP2 45/60/64/130/134	2
29	P1GX060055003	BEARING SPACER - ZP1 & ZP2 45/60/64/130/134	2
30	P1GX117891	SHIM KIT - ZP1 & ZP2 45/60/64/130/134	2
31	P1GX060036000	FRONT BEARING - ZP1 & ZP2 45/60/64/130/134	2
32	P1GX000037003	DRIVE KEY, 3/8" SQ. X 1-5/8" - ZP1 & ZP2 45/60/64/130/134	1
33	P2SX108411	DRIVE SHAFT (17-4PH) - ZP2 60/64	1
34	P2SX108412	SHORT SHAFT (17-4PH) - ZP2 60/64	1
35	P2SX101823	ROTOR KEY - ZP2 60/64	2
36	P1SX121828	BEARING RETAINER, NEW STYLE 3A - ZP1 & ZP2 60/64/130/134	2
37	P2GX101829	BEARING RETAINER GREASE SEAL - ZP2 45/60/64/130/134	2
39	P2BDY060001000	BODY - ZP2 60	1
	<i>P2BDY060001F00</i>	<i>BODY - ZP2 60 - FLUSHED</i>	1
40	P2GX101720	STOP PIN,SEAL - ZP2 45/60/64/130/134/180/220/224	6
42	P1GX124582	DOWEL PIN - ZP1 & ZP2 45/60/64/130/134	1
43	P1GX124583	DOWEL PIN - ZP1 & ZP2 45/60/64/130/134	1
44	P1GX30-319	CAPSCRW,SH,5/16-18X3,18-8SS SCKT HD	2
45	N70035	O-RING, INNER SEAL (BUNA) - ZP2 45/60/64/130/134	2
	<i>E70035</i>	<i>O-RING, INNER SEAL (EPDM) - ZP2 45/60/64/130/134</i>	2
	<i>V70035</i>	<i>O-RING, INNER SEAL (VITON) - ZP2 45/60/64/130/134</i>	2
46	P2RTB060010000	ROTOR TWIN BLADE - ZP2 60 (STD) - ALLOY 88	2
	<i>P2RTB06001000H</i>	<i>ROTOR TWIN BLADE - ZP2 60 (STD) - ALLOY 88 - HOT CLEARANCE</i>	2
	<i>P2RTB0600100HC</i>	<i>ROTOR TWIN BLADE - ZP2 60 (STD) - ALLOY 88 - HOT CHOCOLATE</i>	2
	<i>P2RTB060010200</i>	<i>ROTOR TWIN BLADE - ZP2 60 (STD) - 316L</i>	2
47	N70227	O-RING, ROTOR NUT (BUNA) - ZP2 45/60/64/130/134	2
	<i>E70227</i>	<i>O-RING, ROTOR NUT (EPDM) - ZP2 45/60/64/130/134</i>	2
	<i>V70227</i>	<i>O-RING, ROTOR NUT (VITON) - ZP2 45/60/64/130/134</i>	2



**Exploded View**

*Optional Items Shown in ITALICS*

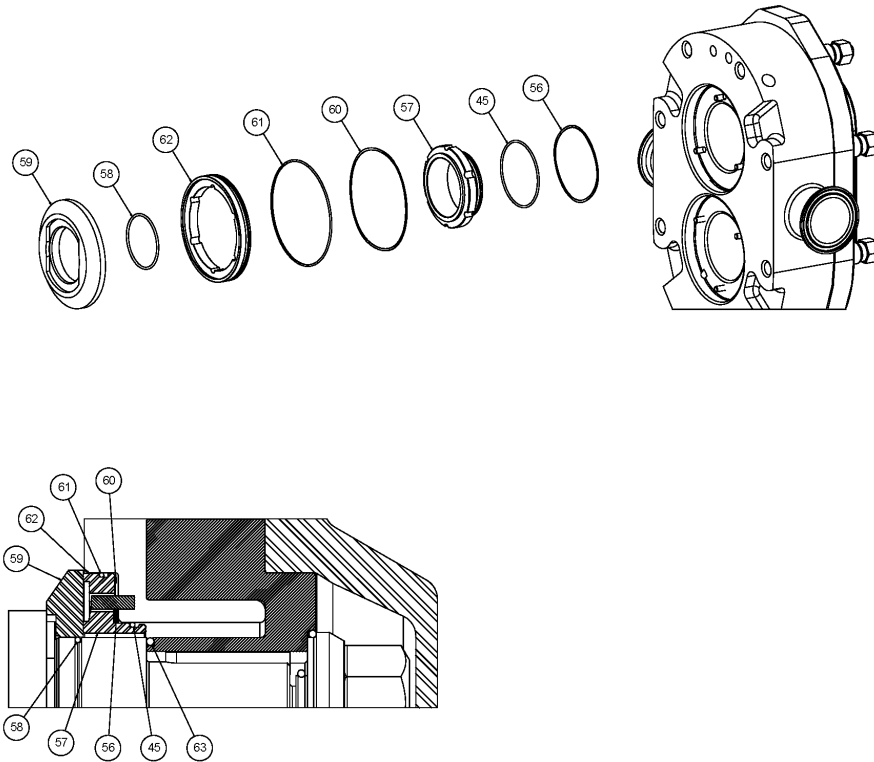
Ref #	Component Item No.	Description	Qty Per
48	<b>N70119</b>	<b>O-RING, RETAINER (BUNA) - ZP2 45/60/64/130/134</b>	<b>2</b>
	<i>E70119</i>	<i>O-RING, RETAINER (EPDM) - ZP2 45/60/64/130/134</i>	<i>2</i>
	<i>V70119</i>	<i>O-RING, RETAINER (VITON) - ZP2 45/60/64/130/134</i>	<i>2</i>
49	<b>P2GX101693</b>	<b>BELLEVILLE WASHER, SS - ZP2 45/60/64/130/134</b>	<b>2</b>
50	<b>P2SX101806</b>	<b>ROTOR NUT - ZP2 45/60/64/130/134</b>	<b>2</b>
51	<b>N70373</b>	<b>O-RING, COVER (BUNA) - ZP2 45/60/64/130/134</b>	<b>1</b>
	<i>E70373</i>	<i>O-RING, COVER (EPDM) - ZP2 45/60/64/130/134</i>	<i>1</i>
	<i>V70373</i>	<i>O-RING, COVER (VITON) - ZP2 45/60/64/130/134</i>	<i>1</i>
52	<b>P2CVR101848</b>	<b>COVER - ZP2 45/60/64/130/134</b>	<b>1</b>
	<i>P2CVR107668</i>	<i>COVER, JACKETED - ZP2 45/60/64/130/134</i>	<i>1</i>
53	<b>P1SX108371</b>	<b>COVER HEX NUT - ZP1 &amp; ZP2 45/60/64/130/134</b>	<b>8</b>
	<i>P1GX105852</i>	<i>WING NUT - ZP1 &amp; ZP2 45/60/64/130/134</i>	<i>8</i>
55	<b>P2SX070SPLATE</b>	<b>BEARING RETAINER SPLASH PLATE - ZP2 45/60/64/130/134</b>	<b>2</b>



**Single Mechanical Seal**

*Optional Items Shown in ITALICS*

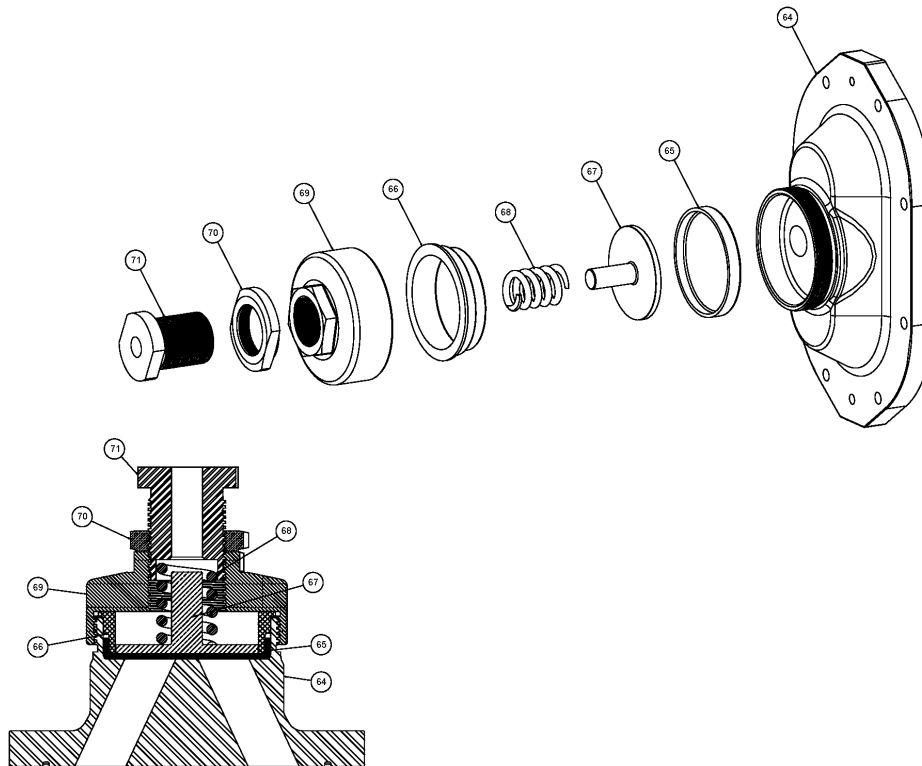
Ref #	Component Item No.	Description	Qty Per
45	<b>N70035</b>	<b>O-RING, INNER SEAL (BUNA) - ZP2 45/60/64/130/134</b>	<b>2</b>
	<i>E70035</i>	<i>O-RING, INNER SEAL (EPDM) - ZP2 45/60/64/130/134</i>	2
	<i>V70035</i>	<i>O-RING, INNER SEAL (VITON) - ZP2 45/60/64/130/134</i>	2
56	<b>P2GS101687</b>	<b>INNER SEAL WAVE SPRING - ZP2 45/60/64/130/134</b>	<b>2</b>
57	<b>P2GS101661</b>	<b>INNER SEAL (C) ZP2 45/60/64/130/134</b>	<b>2</b>
	<i>P2GS101660</i>	<i>INNER SEAL (K) - ZP2 45/60/64/130/134</i>	2
	<i>P2GS101659</i>	<i>INNER SEAL (N) - ZP2 45/60/64/130/134</i>	2
58	<b>N70133</b>	<b>O-RING, SHAFT (BUNA) - ZP2 45/60/64/130/134</b>	<b>2</b>
	<i>E70133</i>	<i>O-RING, SHAFT (EPDM) - ZP2 45/60/64/130/134</i>	2
	<i>V70133</i>	<i>O-RING, SHAFT (VITON) - ZP2 45/60/64/130/134</i>	2
59	<b>P2GS101674</b>	<b>SEAL SEAT (C) ZP2 45/60/64/130/134</b>	<b>2</b>
	<i>P2GS101673</i>	<i>SEAL SEAT (K) ZP2 45/60/64/130/134</i>	2
63	<b>N70224</b>	<b>O-RING, ROTOR HUB (BUNA) - ZP2 45/60/64/130/134</b>	<b>2</b>
	<i>E70224</i>	<i>O-RING, ROTOR HUB (EPDM) - ZP2 45/60/64/130/134</i>	2
	<i>V70224</i>	<i>O-RING, ROTOR HUB (VITON) - ZP2 45/60/64/130/134</i>	2



**Double Mechanical Seal**

*Optional Items Shown in ITALICS*

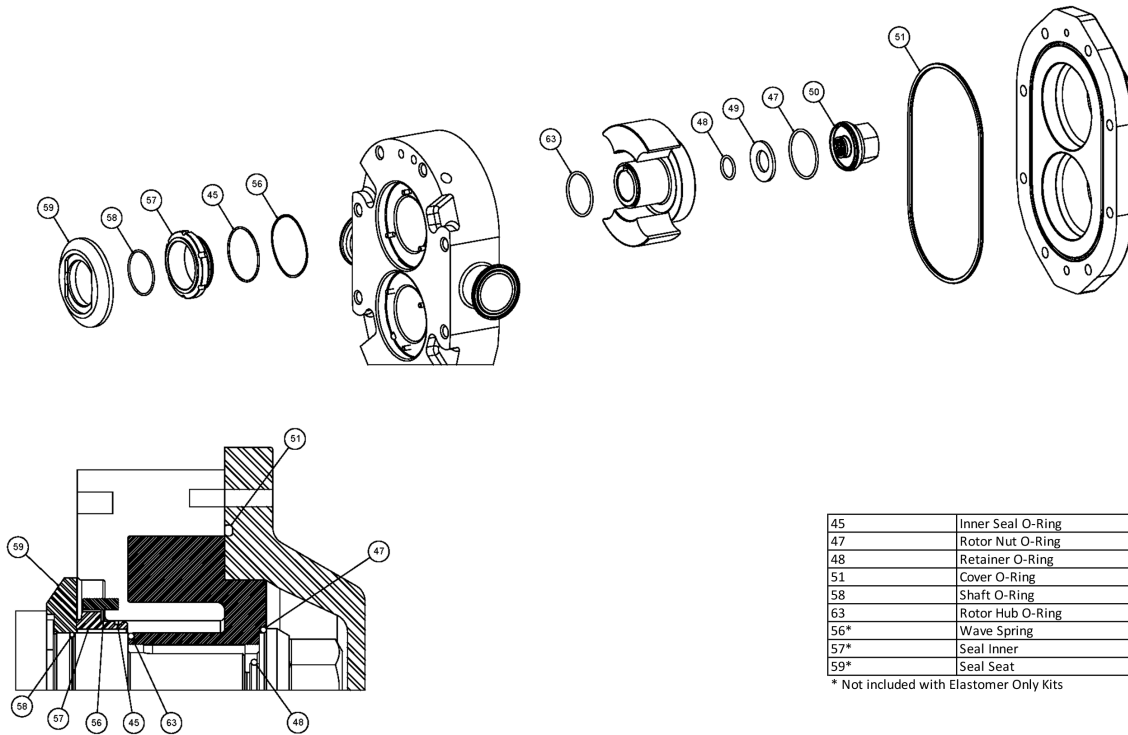
Ref #	Component Item No.	Description	Qty Per
45	<b>N70035</b>	<b>O-RING, INNER SEAL (BUNA) - ZP2 45/60/64/130/134</b>	<b>2</b>
	<i>E70035</i>	<i>O-RING, INNER SEAL (EPDM) - ZP2 45/60/64/130/134</i>	2
	<i>V70035</i>	<i>O-RING, INNER SEAL (VITON) - ZP2 45/60/64/130/134</i>	2
56	<b>P2GS101687</b>	<b>INNER SEAL WAVE SPRING - ZP2 45/60/64/130/134</b>	<b>2</b>
57	<b>P2GS101661</b>	<b>INNER SEAL (C) ZP2 45/60/64/130/134</b>	<b>2</b>
	<i>P2GS101660</i>	<i>INNER SEAL (K) - ZP2 45/60/64/130/134</i>	2
	<i>P2GS101659</i>	<i>INNER SEAL (N) - ZP2 45/60/64/130/134</i>	2
58	<b>N70133</b>	<b>O-RING, SHAFT (BUNA) - ZP2 45/60/64/130/134</b>	<b>2</b>
	<i>E70133</i>	<i>O-RING, SHAFT (EPDM) - ZP2 45/60/64/130/134</i>	2
	<i>V70133</i>	<i>O-RING, SHAFT (VITON) - ZP2 45/60/64/130/134</i>	2
59	<b>P2GS101674</b>	<b>SEAL SEAT (C) ZP2 45/60/64/130/134</b>	<b>2</b>
	<i>P2GS101673</i>	<i>SEAL SEAT (K) ZP2 45/60/64/130/134</i>	2
60	<b>P2GS101688</b>	<b>OUTER SEAL WAVE SPRING - ZP2 45/60/64/130/134</b>	<b>2</b>
61	<b>N70043</b>	<b>O-RING, OUTER SEAL (BUNA) - ZP2 45/60/64/130/134</b>	<b>2</b>
	<i>E70043</i>	<i>O-RING, OUTER SEAL (EPDM) - ZP2 45/60/64/130/134</i>	2
	<i>V70043</i>	<i>O-RING, OUTER SEAL (VITON) - ZP2 45/60/64/130/134</i>	2
62	<b>P2GS101681</b>	<b>OUTER SEAL (N) ZP2 45/60/64/130/134</b>	<b>2</b>
63	<b>N70224</b>	<b>O-RING, ROTOR HUB (BUNA) - ZP2 45/60/64/130/134</b>	<b>2</b>
	<i>E70224</i>	<i>O-RING, ROTOR HUB (EPDM) - ZP2 45/60/64/130/134</i>	2
	<i>V70224</i>	<i>O-RING, ROTOR HUB (VITON) - ZP2 45/60/64/130/134</i>	2



**Pressure Relief Cover**

*Optional Items Shown in ITALICS*

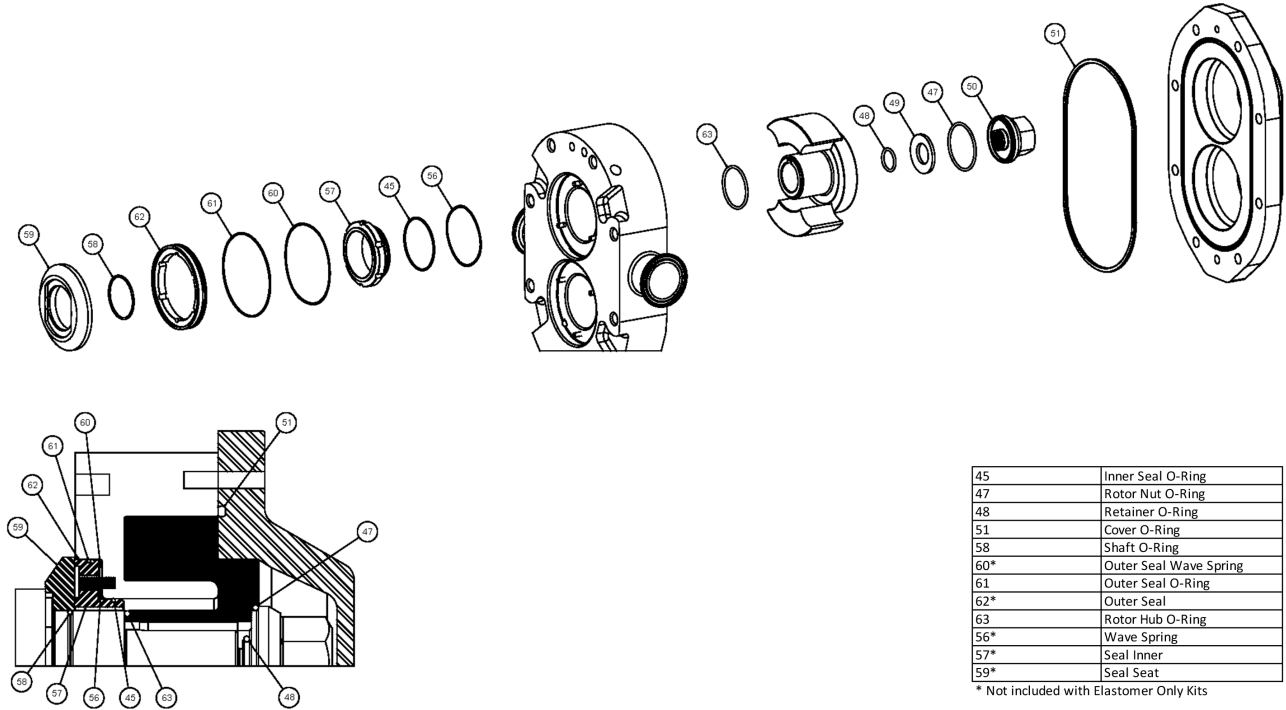
Ref #	Component Item No.	Description	Qty Per
64	P2CVR103671	VENTED FRONT COVER, ZP2 - 45/60/64/130/134	1
65	P1GXCD0078000	RUBBER DIAPHRAGM, BUNA, ZP1 & ZP2 & ZP3 - 60/64/130/134	1
	<i>P1GXCD0078E00</i>	<i>RUBBER DIAPHRAGM, EPDM, ZP1 &amp; ZP2 &amp; ZP3 - 60/64/130/134</i>	1
	<i>P1GXCD0078V00</i>	<i>RUBBER DIAPHRAGM, VITON, ZP1 &amp; ZP2 &amp; ZP3 - 60/64/130/134</i>	1
66	P1SXCD0077000	DIAPHRAGM BUSHING, ZP1 & ZP2 & ZP3 - 60/64/130/134	1
67	P1SX113397	SPRING PLUNGER, ZP1 & ZP2 & ZP3 - 60/64/130/134	1
68	P1SX113523	SPRING, MEDIUM, (LESS THAN 150 PSI), ZP1 & ZP2 & ZP3 - 60/64/130/134	1
	<i>P1SX113400</i>	<i>SPRING, HIGH, (MORE THAN 150 PSI), ZP1 &amp; ZP2 &amp; ZP3 - 60/64/130/134</i>	1
69	P1SX113398	COVER NUT, ZP1 & ZP2 & ZP3 - 60/64/130/134	1
70	P1SXGD0074000	LOCKNUT, ZP1 & ZP2 & ZP3 - 60/64/130/134/180/184/220/224	1
71	P1SX113657	ADJUSTING SCREW, ZP1 & ZP2 & ZP3 - 60/64/130/134/180/184/220/224	1



**Single Mechanical Seal Kit**

*Optional Items Shown in ITALICS*

Ref #	Component Item No.	Description	Qty Per
1	<b>P2GX060000-N</b>	<b>SEAL KIT, SGL MECH, ELASTOMERS ONLY, BUNA - ZP2 45/60/64/130/134</b>	<b>1</b>
	<i>P2GX060000-E</i>	<i>SEAL KIT, SGL MECH, ELASTOMERS ONLY, EPDM - ZP2 45/60/64/130/134</i>	<i>1</i>
	<i>P2GX060000-V</i>	<i>SEAL KIT, SGL MECH, ELASTOMERS ONLY, VITON - ZP2 45/60/64/130/134</i>	<i>1</i>
2	<b>P2GS060000-N</b>	<b>SEAL KIT, SGL MECH, SC/CA, BUNA - ZP2 45/60/64/130/134</b>	<b>1</b>
	<i>P2GS060000-E</i>	<i>SEAL KIT, SGL MECH, SC/CA, EPDM - ZP2 45/60/64/130/134</i>	<i>1</i>
	<i>P2GS060000-V</i>	<i>SEAL KIT, SGL MECH, SC/CA, VITON - ZP2 45/60/64/130/134</i>	<i>1</i>
3	<b>P2GS060020-N</b>	<b>SEAL KIT, SGL MECH, CE/CA, BUNA - ZP2 45/60/64/130/134</b>	<b>1</b>
	<i>P2GS060020-E</i>	<i>SEAL KIT, SGL MECH, CE/CA, EPDM - ZP2 45/60/64/130/134</i>	<i>1</i>
	<i>P2GS060020-V</i>	<i>SEAL KIT, SGL MECH, CE/CA, VITON - ZP2 45/60/64/130/134</i>	<i>1</i>
4	<i>P2GS060030-V</i>	<i>SEAL KIT, SGL MECH, CE/CE, VITON - ZP2 45/60/64/130/134</i>	<i>1</i>
5	<b>P2GS060010-N</b>	<b>SEAL KIT, SGL MECH, SC/SC, BUNA - ZP2 45/60/64/130/134</b>	<b>1</b>
	<i>P2GS060010-E</i>	<i>SEAL KIT, SGL MECH, SC/SC, EPDM - ZP2 45/60/64/130/134</i>	<i>1</i>
	<i>P2GS060010-V</i>	<i>SEAL KIT, SGL MECH, SC/SC, VITON - ZP2 45/60/64/130/134</i>	<i>1</i>
49	<b>P2GX101693</b>	<b>BELLEVILLE WASHER, SS - ZP2 45/60/64/130/134</b>	<b>2</b>
50	<b>P2SX101806</b>	<b>ROTOR NUT - ZP2 45/60/64/130/134</b>	<b>2</b>



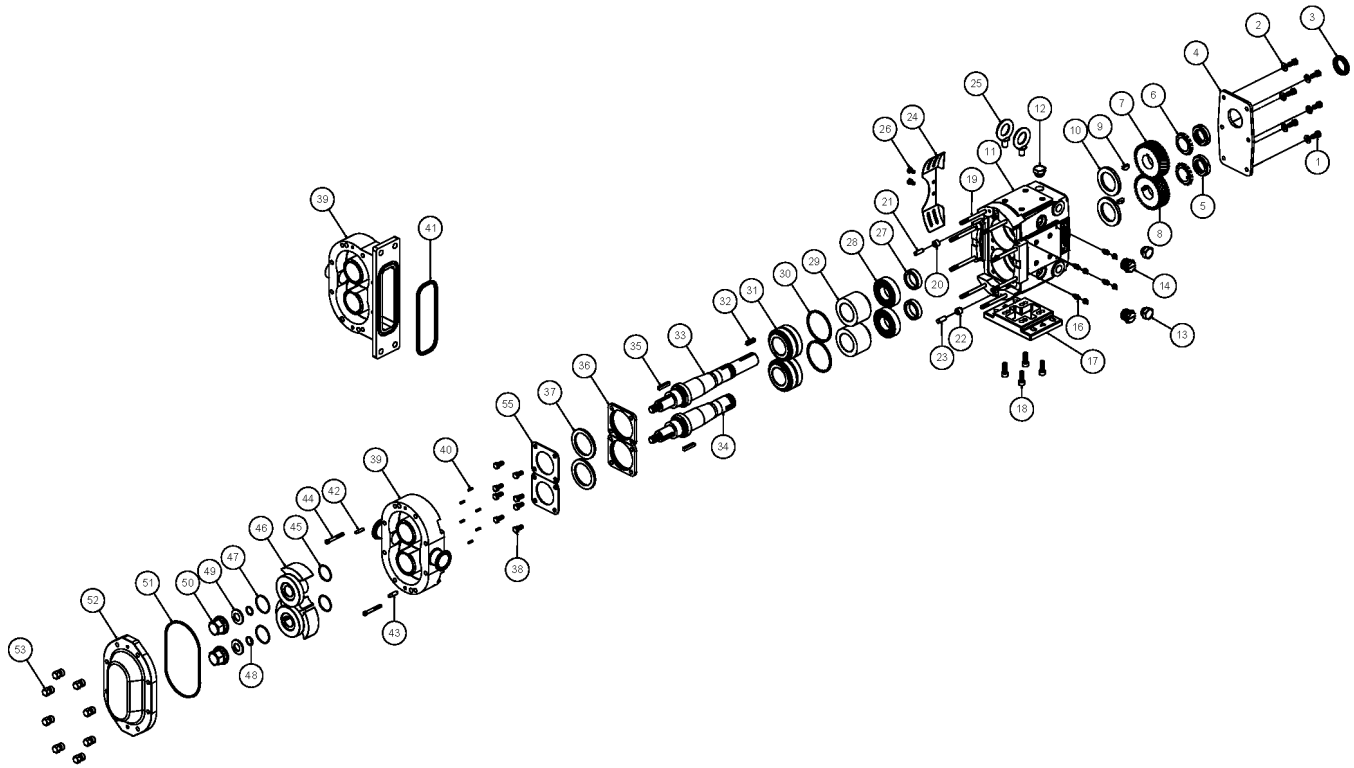
45	Inner Seal O-Ring
47	Rotor Nut O-Ring
48	Retainer O-Ring
51	Cover O-Ring
58	Shaft O-Ring
60*	Outer Seal Wave Spring
61	Outer Seal O-Ring
62*	Outer Seal
63	Rotor Hub O-Ring
56*	Wave Spring
57*	Seal Inner
59*	Seal Seat

\* Not included with Elastomer Only Kits

**Double Mechanical Seal Kit**

*Optional Items Shown in ITALICS*

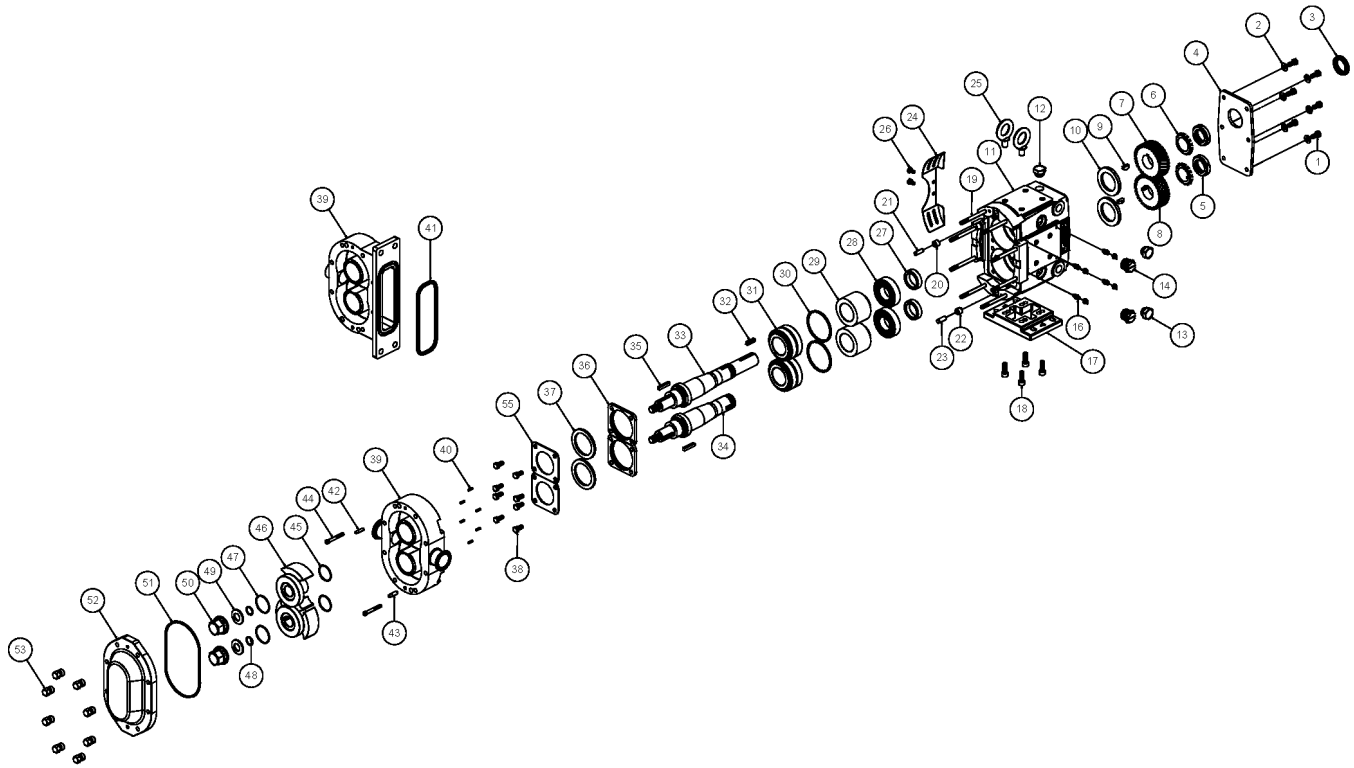
Ref #	Component Item No.	Description	Qty Per
1	<b>P2GX060200-N</b>	<b>SEAL KIT, DBL MECH, ELASTOMERS ONLY, BUNA - ZP2 45/60/64/130/134</b>	<b>1</b>
	<i>P2GX060200-E</i>	<i>SEAL KIT, DBL MECH, ELASTOMERS ONLY, EPDM - ZP2 45/60/64/130/134</i>	<i>1</i>
	<i>P2GX060200-V</i>	<i>SEAL KIT, DBL MECH, ELASTOMERS ONLY, VITON - ZP2 45/60/64/130/134</i>	<i>1</i>
2	<b>P2GS060200-N</b>	<b>SEAL KIT, DBL MECH, SC/CA/CA, BUNA - ZP2 45/60/64/130/134</b>	<b>1</b>
	<i>P2GS060200-E</i>	<i>SEAL KIT, DBL MECH, SC/CA/CA, EPDM - ZP2 45/60/64/130/134</i>	<i>1</i>
	<i>P2GS060200-V</i>	<i>SEAL KIT, DBL MECH, SC/CA/CA, VITON - ZP2 45/60/64/130/134</i>	<i>1</i>
3	<b>P2GS060220-N</b>	<b>SEAL KIT, DBL MECH, CE/CA/CA, BUNA - ZP2 45/60/64/130/134</b>	<b>1</b>
	<i>P2GS060220-E</i>	<i>SEAL KIT, DBL MECH, CE/CA/CA, EPDM - ZP2 45/60/64/130/134</i>	<i>1</i>
	<i>P2GS060220-V</i>	<i>SEAL KIT, DBL MECH, CE/CA/CA, VITON - ZP2 45/60/64/130/134</i>	<i>1</i>
4	<b>P2GS060230-N</b>	<b>SEAL KIT, DBL MECH, CE/CE/CA, BUNA - ZP2 45/60/64/130/134</b>	<b>1</b>
5	<b>P2GS060210-N</b>	<b>SEAL KIT, DBL MECH, SC/SC/CA, BUNA - ZP2 45/60/64/130/134</b>	<b>1</b>
	<i>P2GS060210-E</i>	<i>SEAL KIT, DBL MECH, SC/SC/CA, EPDM - ZP2 45/60/64/130/134</i>	<i>1</i>
	<i>P2GS060210-V</i>	<i>SEAL KIT, DBL MECH, SC/SC/CA, VITON - ZP2 45/60/64/130/134</i>	<i>1</i>
49	<b>P2GX101693</b>	<b>BELLEVILLE WASHER, SS - ZP2 45/60/64/130/134</b>	<b>2</b>
50	<b>P2SX101806</b>	<b>ROTOR NUT - ZP2 45/60/64/130/134</b>	<b>2</b>



**Exploded View**

*Optional Items Shown in ITALICS*

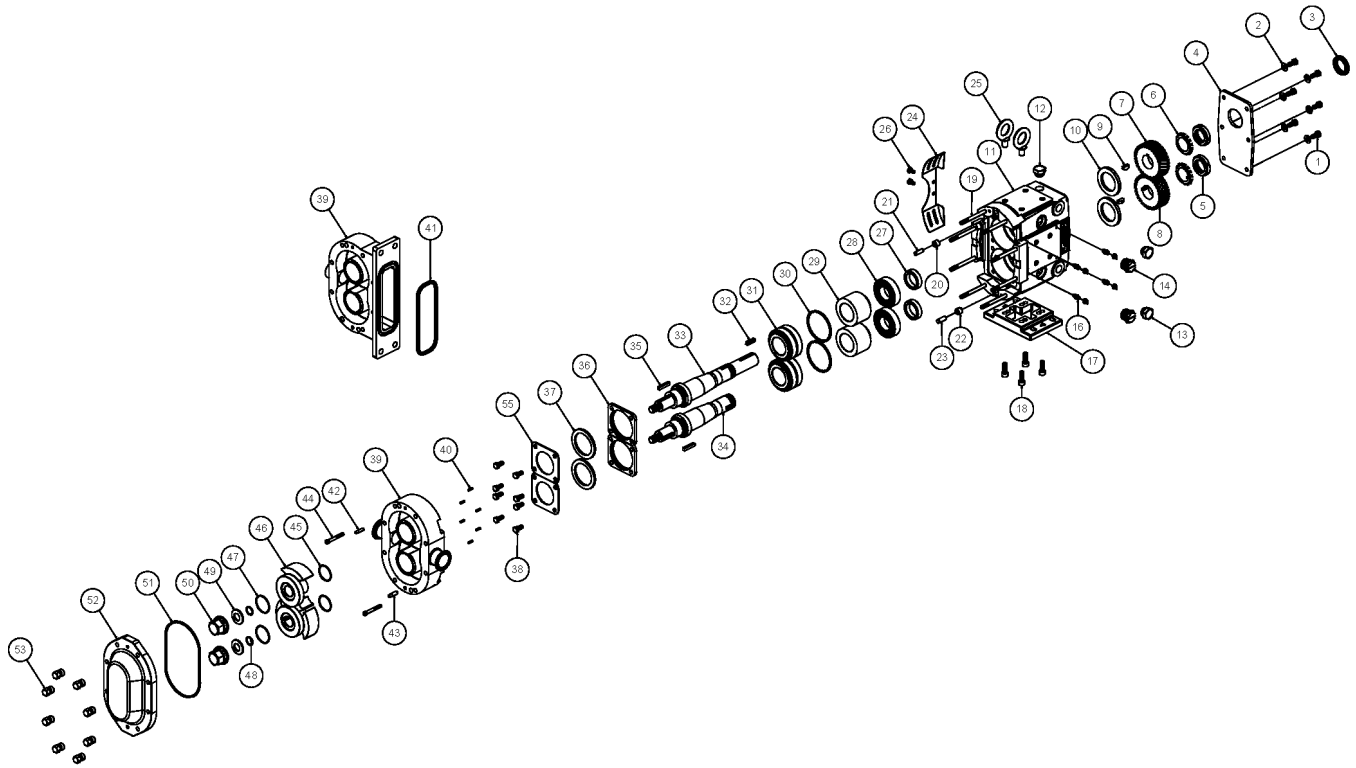
Ref #	Component Item No.	Description	Qty Per
1	P1GX30-50	GEAR CASE COVER BOLT - 3/8-16 X 3/4 HHCS (18-8 SS)	6
2	P1GX43-189	GEAR CASE COVER WASHER - 3/8 FLAT WASHER (18-8 SS)	6
3	P1GX000030012	OIL SEAL, GEAR CASE COVER - ZP1 & ZP2 45/60/64/130/134	1
4	P1SX070106000	GEAR CASE COVER, SS - ZP1 & ZP2 45/60/64/130/134	1
5	P1GXSTD236009	GEAR LOCKNUT ZP1 & ZP2 45/60/64/130/134	2
6	P1GXSTD136009	GEAR LOCKWASHER ZP1 & ZP2 45/60/64/130/134	2
7	P1GX060007001	GEAR DRIVE SHAFT ZP1 & ZP2 45/60/64/130/134	1
8	P1GX060007002	GEAR SHORT SHAFT ZP1 & ZP2 45/60/64/130/134	1
9	P1GX060037000	GEAR KEY - ZP1 & ZP2 45/60/64/130/134	2
10	P1GX000030011	OIL SEAL REAR - ZP1 & ZP2 45/60/64/130/134	2
11	P1SX070005000	GEAR CASE, SS - ZP1 & ZP2 45/60/64/130/134	1
12	P1GX115798	PLUG,HEX,20M X1.5,W/NBR SEAL	5
13	P1GX115799	GAUGE,OIL,LVL,INDIC,M-20X1.5	1
14	P1GX70PLUG-SS	CLEAN OUT PLUG, SS - ZP1 & ZP2 45/60/64/130/134	4
	<i>P1GX70PLUG</i>	<i>CLEAN OUT PLUG, YELLOW - ZP1 &amp; ZP2 45/60/64/130/134</i>	4
16	P1GXBD0092001	GREASE FITTING, THREADED 1/4"-28 TAPER, SS	8
17	P1SX070110000	GEAR CASE BASE, SS - ZP1 & ZP2 45/60/64/130/134	1
18	P1GX60SHCSGCB	SHCS, G. CASE BASE, (18-8 SS) 1/2-13 X 1.5" ZP1 & ZP2 60/130	4
19	P1GX108843	STUD, ZP2 64	6
	P1GX0C1050000	STUD, SHORT, ZP2 64	2
	<i>P1GX35556</i>	<i>STUD, SHORT, JACKETED COVER, ZP2 64</i>	2
	<i>P1GX108846</i>	<i>STUD, JACKETED COVER, ZP2 64</i>	6
20	P1GXCD0116000	UPPER DOWEL BUSHING - ZP1 & ZP2 45/60/64/130/134/180/220/224	1
21	P1GX124584	DOWEL PIN - ZP1 & ZP2 45/60/64/130/134	1
22	P1GXCD0116100	LOWER DOWEL BUSHING - ZP1 & ZP2 45/60/64/130/134/180/220/224	1
23	P1GX124586	DOWEL PIN - ZP1 & ZP2 45/60/64/130/134	1
24	P1SX070CEGUARD	GUARD,45-134,(CE),GC,SS	2



**Exploded View**

*Optional Items Shown in ITALICS*

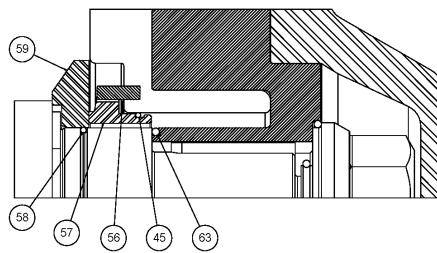
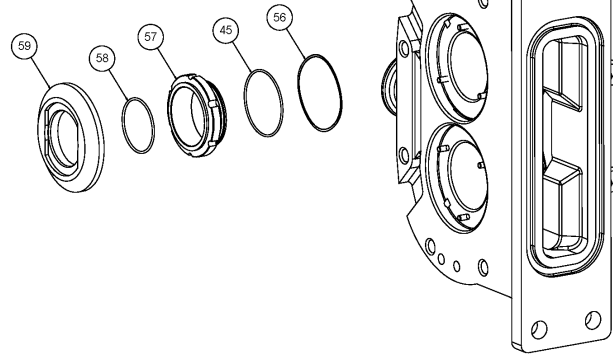
Ref #	Component Item No.	Description	Qty Per
25	P1GXEYEBOLT-SS	EYE BOLT,60-224,SS	2
26	P1GX000CENAIL	DRIVENAIL,ZP,GEAR CASE GUARDS	4
27	P1GX107187	GEAR TO REAR BEARING SPACER - ZP1 & ZP2 45/60/64/130/134	2
28	P1GX107186	REAR BEARING - ZP1 & ZP2 45/60/64/130/134	2
29	P1GX060055003	BEARING SPACER - ZP1 & ZP2 45/60/64/130/134	2
30	P1GX117891	SHIM KIT - ZP1 & ZP2 45/60/64/130/134	2
31	P1GX060036000	FRONT BEARING - ZP1 & ZP2 45/60/64/130/134	2
32	P1GX000037003	DRIVE KEY, 3/8" SQ. X 1-5/8" - ZP1 & ZP2 45/60/64/130/134	1
33	P2SX108411	DRIVE SHAFT (17-4PH) - ZP2 60/64	1
34	P2SX108412	SHORT SHAFT (17-4PH) - ZP2 60/64	1
35	P2SX101823	ROTOR KEY - ZP2 60/64	2
36	P1SX121828	BEARING RETAINER, NEW STYLE 3A - ZP1 & ZP2 60/64/130/134	2
37	P2GX101829	BEARING RETAINER GREASE SEAL - ZP2 45/60/64/130/134	2
39	P2BDY064001000	BODY - ZP2 64	1
	<i>P2BDY064001F00</i>	<i>BODY - ZP2 64 - FLUSHED</i>	1
40	P2GX101720	STOP PIN,SEAL - ZP2 45/60/64/130/134/180/220/224	6
41	N70366	O-RING, RECTANGULAR FLANGE (BUNA) - ZP1 & ZP2 64	1
	<i>E70366</i>	<i>O-RING, RECTANGULAR FLANGE (EPDM) - ZP1 &amp; ZP2 64</i>	1
	<i>V70366</i>	<i>O-RING, RECTANGULAR FLANGE (VITON) - ZP1 &amp; ZP2 64</i>	1
42	P1GX124582	DOWEL PIN - ZP1 & ZP2 45/60/64/130/134	1
43	P1GX124583	DOWEL PIN - ZP1 & ZP2 45/60/64/130/134	1
44	P1GX30-319	CAPSCRW,SH,5/16-18X3,18-8SS SCKT HD	2
45	N70035	O-RING, INNER SEAL (BUNA) - ZP2 45/60/64/130/134	2
	<i>E70035</i>	<i>O-RING, INNER SEAL (EPDM) - ZP2 45/60/64/130/134</i>	2
	<i>V70035</i>	<i>O-RING, INNER SEAL (VITON) - ZP2 45/60/64/130/134</i>	2
46	P2RTB060010000	ROTOR TWIN BLADE - ZP2 60 (STD) - ALLOY 88	2
	<i>P2RTB06001000H</i>	<i>ROTOR TWIN BLADE - ZP2 60 (STD) - ALLOY 88 - HOT CLEARANCE</i>	2



**Exploded View**

*Optional Items Shown in ITALICS*

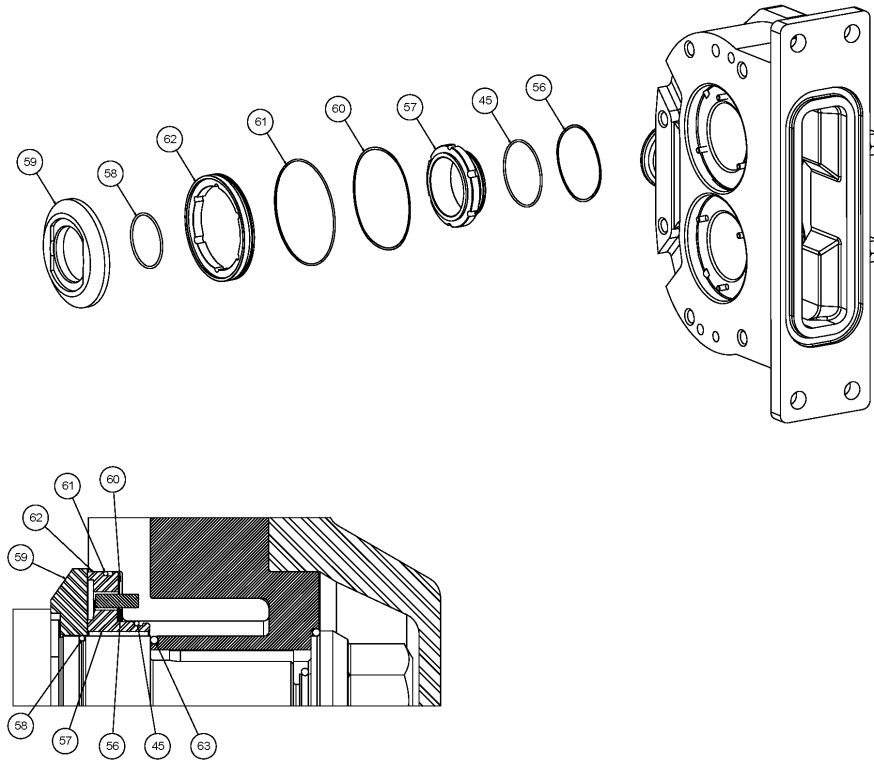
Ref #	Component Item No.	Description	Qty Per
46	<i>P2RTB0600100HC</i>	<i>ROTOR TWIN BLADE - ZP2 60 (STD) - ALLOY 88 - HOT CHOCOLATE</i>	2
	<i>P2RTB060010200</i>	<i>ROTOR TWIN BLADE - ZP2 60 (STD) - 316L</i>	2
47	<b>N70227</b>	<b>O-RING, ROTOR NUT (BUNA) - ZP2 45/60/64/130/134</b>	2
	<i>E70227</i>	<i>O-RING, ROTOR NUT (EPDM) - ZP2 45/60/64/130/134</i>	2
	<i>V70227</i>	<i>O-RING, ROTOR NUT (VITON) - ZP2 45/60/64/130/134</i>	2
48	<b>N70119</b>	<b>O-RING, RETAINER (BUNA) - ZP2 45/60/64/130/134</b>	2
	<i>E70119</i>	<i>O-RING, RETAINER (EPDM) - ZP2 45/60/64/130/134</i>	2
	<i>V70119</i>	<i>O-RING, RETAINER (VITON) - ZP2 45/60/64/130/134</i>	2
49	<b>P2GX101693</b>	<b>BELLEVILLE WASHER, SS - ZP2 45/60/64/130/134</b>	2
50	<b>P2SX101806</b>	<b>ROTOR NUT - ZP2 45/60/64/130/134</b>	2
51	<b>N70373</b>	<b>O-RING, COVER (BUNA) - ZP2 45/60/64/130/134</b>	1
	<i>E70373</i>	<i>O-RING, COVER (EPDM) - ZP2 45/60/64/130/134</i>	1
	<i>V70373</i>	<i>O-RING, COVER (VITON) - ZP2 45/60/64/130/134</i>	1
52	<b>P2CVR101848</b>	<b>COVER - ZP2 45/60/64/130/134</b>	1
	<i>P2CVR107668</i>	<i>COVER, JACKETED - ZP2 45/60/64/130/134</i>	1
53	<b>P1SX108371</b>	<b>COVER HEX NUT - ZP1 &amp; ZP2 45/60/64/130/134</b>	8
	<i>P1GX105852</i>	<i>WING NUT - ZP1 &amp; ZP2 45/60/64/130/134</i>	8
55	<b>P2SX070SPATE</b>	<b>BEARING RETAINER SPLASH PLATE - ZP2 45/60/64/130/134</b>	2



**Single Mechanical Seal**

*Optional Items Shown in ITALICS*

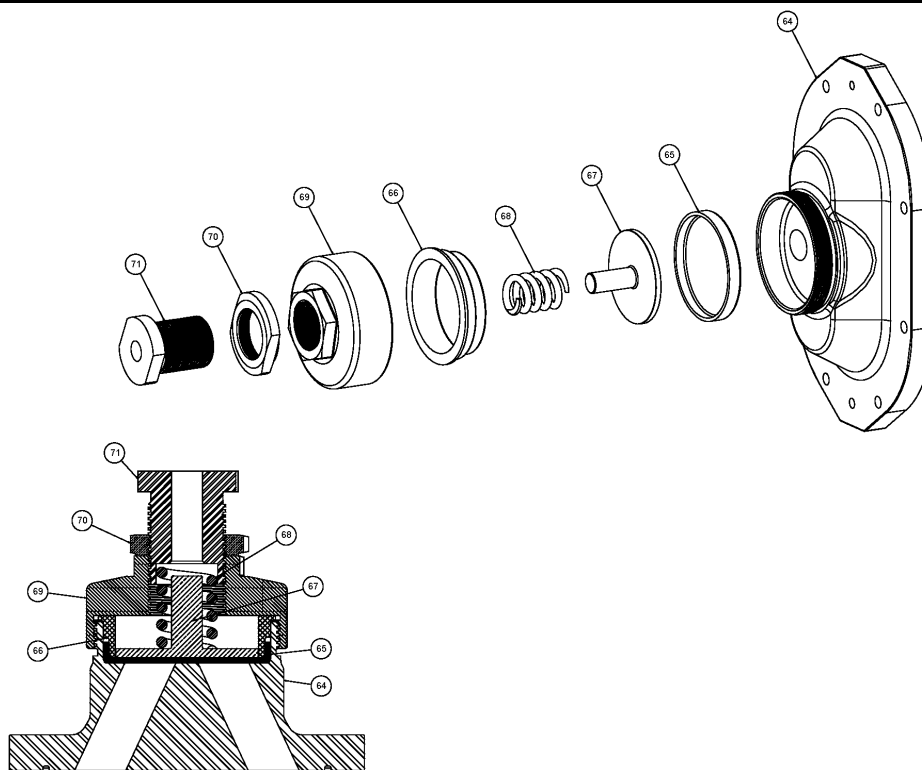
Ref #	Component Item No.	Description	Qty Per
45	<b>N70035</b>	<b>O-RING, INNER SEAL (BUNA) - ZP2 45/60/64/130/134</b>	<b>2</b>
	<i>E70035</i>	<i>O-RING, INNER SEAL (EPDM) - ZP2 45/60/64/130/134</i>	2
	<i>V70035</i>	<i>O-RING, INNER SEAL (VITON) - ZP2 45/60/64/130/134</i>	2
56	<b>P2GS101687</b>	<b>INNER SEAL WAVE SPRING - ZP2 45/60/64/130/134</b>	<b>2</b>
57	<b>P2GS101661</b>	<b>INNER SEAL (C) ZP2 45/60/64/130/134</b>	<b>2</b>
	<i>P2GS101660</i>	<i>INNER SEAL (K) - ZP2 45/60/64/130/134</i>	2
	<i>P2GS101659</i>	<i>INNER SEAL (N) - ZP2 45/60/64/130/134</i>	2
58	<b>N70133</b>	<b>O-RING, SHAFT (BUNA) - ZP2 45/60/64/130/134</b>	<b>2</b>
	<i>E70133</i>	<i>O-RING, SHAFT (EPDM) - ZP2 45/60/64/130/134</i>	2
	<i>V70133</i>	<i>O-RING, SHAFT (VITON) - ZP2 45/60/64/130/134</i>	2
59	<b>P2GS101674</b>	<b>SEAL SEAT (C) ZP2 45/60/64/130/134</b>	<b>2</b>
	<i>P2GS101673</i>	<i>SEAL SEAT (K) ZP2 45/60/64/130/134</i>	2
63	<b>N70224</b>	<b>O-RING, ROTOR HUB (BUNA) - ZP2 45/60/64/130/134</b>	<b>2</b>
	<i>E70224</i>	<i>O-RING, ROTOR HUB (EPDM) - ZP2 45/60/64/130/134</i>	2
	<i>V70224</i>	<i>O-RING, ROTOR HUB (VITON) - ZP2 45/60/64/130/134</i>	2



**Double Mechanical Seal**

*Optional Items Shown in ITALICS*

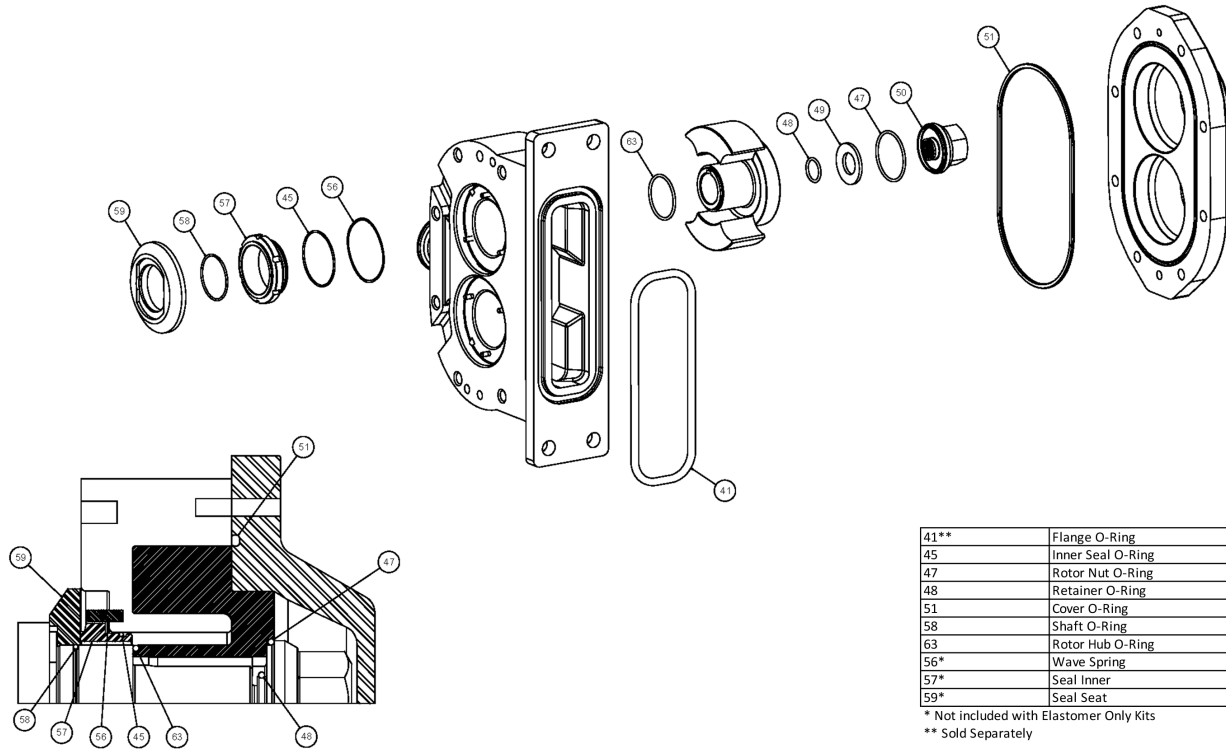
Ref #	Component Item No.	Description	Qty Per
45	<b>N70035</b>	<b>O-RING, INNER SEAL (BUNA) - ZP2 45/60/64/130/134</b>	<b>2</b>
	<i>E70035</i>	<i>O-RING, INNER SEAL (EPDM) - ZP2 45/60/64/130/134</i>	2
	<i>V70035</i>	<i>O-RING, INNER SEAL (VITON) - ZP2 45/60/64/130/134</i>	2
56	<b>P2GS101687</b>	<b>INNER SEAL WAVE SPRING - ZP2 45/60/64/130/134</b>	<b>2</b>
57	<b>P2GS101661</b>	<b>INNER SEAL (C) ZP2 45/60/64/130/134</b>	<b>2</b>
	<i>P2GS101660</i>	<i>INNER SEAL (K) - ZP2 45/60/64/130/134</i>	2
	<i>P2GS101659</i>	<i>INNER SEAL (N) - ZP2 45/60/64/130/134</i>	2
58	<b>N70133</b>	<b>O-RING, SHAFT (BUNA) - ZP2 45/60/64/130/134</b>	<b>2</b>
	<i>E70133</i>	<i>O-RING, SHAFT (EPDM) - ZP2 45/60/64/130/134</i>	2
	<i>V70133</i>	<i>O-RING, SHAFT (VITON) - ZP2 45/60/64/130/134</i>	2
59	<b>P2GS101674</b>	<b>SEAL SEAT (C) ZP2 45/60/64/130/134</b>	<b>2</b>
	<i>P2GS101673</i>	<i>SEAL SEAT (K) ZP2 45/60/64/130/134</i>	2
60	<b>P2GS101688</b>	<b>OUTER SEAL WAVE SPRING - ZP2 45/60/64/130/134</b>	<b>2</b>
61	<b>N70043</b>	<b>O-RING, OUTER SEAL (BUNA) - ZP2 45/60/64/130/134</b>	<b>2</b>
	<i>E70043</i>	<i>O-RING, OUTER SEAL (EPDM) - ZP2 45/60/64/130/134</i>	2
	<i>V70043</i>	<i>O-RING, OUTER SEAL (VITON) - ZP2 45/60/64/130/134</i>	2
62	<b>P2GS101681</b>	<b>OUTER SEAL (N) ZP2 45/60/64/130/134</b>	<b>2</b>
63	<b>N70224</b>	<b>O-RING, ROTOR HUB (BUNA) - ZP2 45/60/64/130/134</b>	<b>2</b>
	<i>E70224</i>	<i>O-RING, ROTOR HUB (EPDM) - ZP2 45/60/64/130/134</i>	2
	<i>V70224</i>	<i>O-RING, ROTOR HUB (VITON) - ZP2 45/60/64/130/134</i>	2



**Pressure Relief Cover**

*Optional Items Shown in ITALICS*

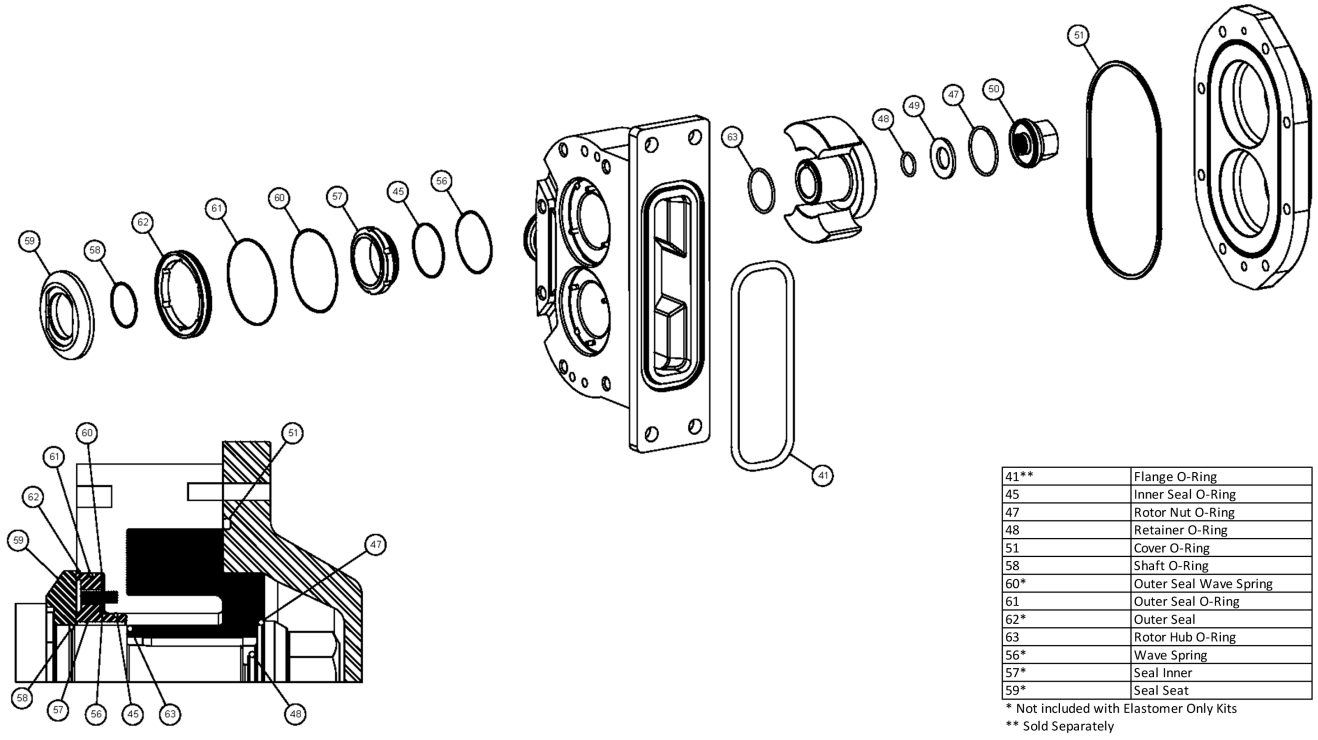
Ref #	Component Item No.	Description	Qty Per
64	P2CVR103671	VENTED FRONT COVER, ZP2 - 45/60/64/130/134	1
65	P1GXCD0078000	RUBBER DIAPHRAGM, BUNA, ZP1 & ZP2 & ZP3 - 60/64/130/134	1
	<i>P1GXCD0078E00</i>	<i>RUBBER DIAPHRAGM, EPDM, ZP1 &amp; ZP2 &amp; ZP3 - 60/64/130/134</i>	1
	<i>P1GXCD0078V00</i>	<i>RUBBER DIAPHRAGM, VITON, ZP1 &amp; ZP2 &amp; ZP3 - 60/64/130/134</i>	1
66	P1SXCD0077000	DIAPHRAGM BUSHING, ZP1 & ZP2 & ZP3 - 60/64/130/134	1
67	P1SX113397	SPRING PLUNGER, ZP1 & ZP2 & ZP3 - 60/64/130/134	1
68	P1SX113523	SPRING, MEDIUM, (LESS THAN 150 PSI), ZP1 & ZP2 & ZP3 - 60/64/130/134	1
	<i>P1SX113400</i>	<i>SPRING, HIGH, (MORE THAN 150 PSI), ZP1 &amp; ZP2 &amp; ZP3 - 60/64/130/134</i>	1
69	P1SX113398	COVER NUT, ZP1 & ZP2 & ZP3 - 60/64/130/134	1
70	P1SXGD0074000	LOCKNUT, ZP1 & ZP2 & ZP3 - 60/64/130/134/180/184/220/224	1
71	P1SX113657	ADJUSTING SCREW, ZP1 & ZP2 & ZP3 - 60/64/130/134/180/184/220/224	1



**Single Mechanical Seal Kit**

*Optional Items Shown in ITALICS*

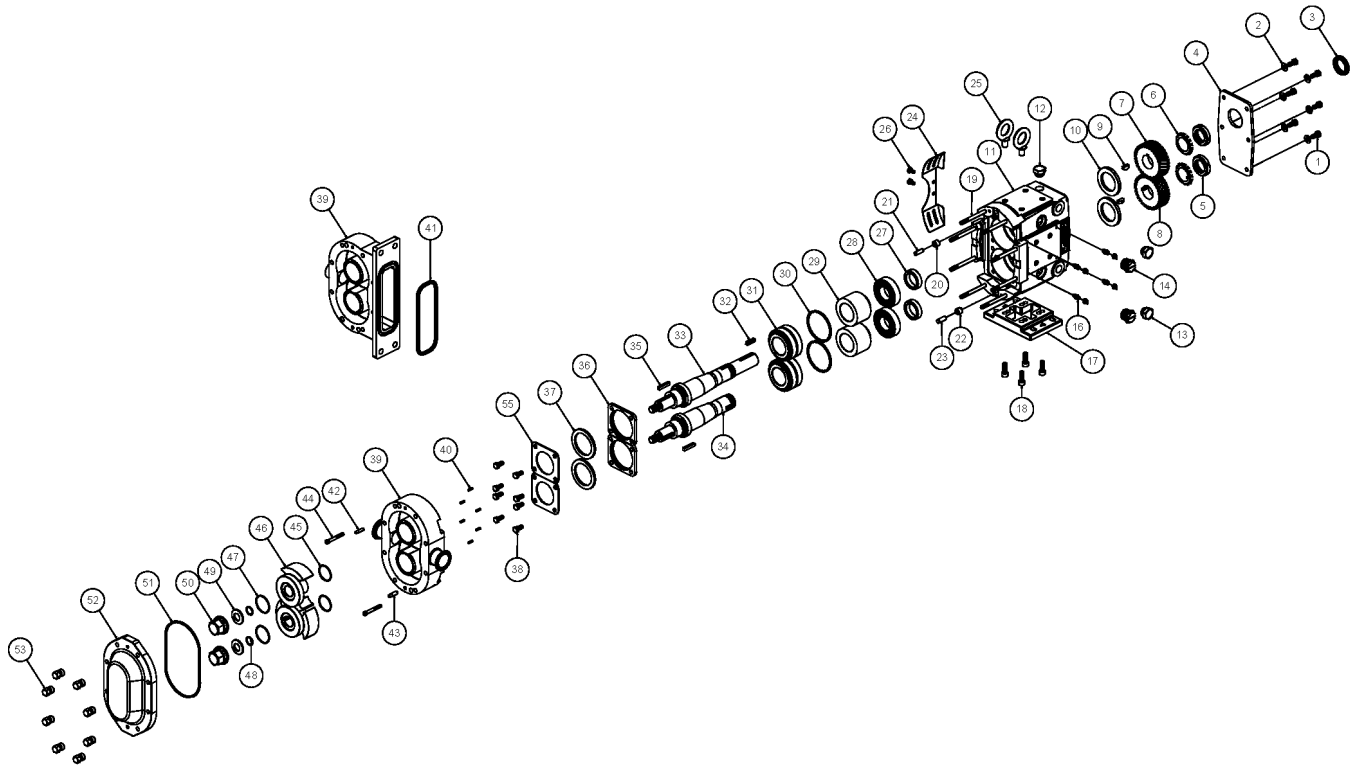
Ref #	Component Item No.	Description	Qty Per
1	<b>P2GX060000-N</b>	<b>SEAL KIT, SGL MECH, ELASTOMERS ONLY, BUNA - ZP2 45/60/64/130/134</b>	<b>1</b>
	<i>P2GX060000-E</i>	<i>SEAL KIT, SGL MECH, ELASTOMERS ONLY, EPDM - ZP2 45/60/64/130/134</i>	<i>1</i>
	<i>P2GX060000-V</i>	<i>SEAL KIT, SGL MECH, ELASTOMERS ONLY, VITON - ZP2 45/60/64/130/134</i>	<i>1</i>
2	<b>P2GS060000-N</b>	<b>SEAL KIT, SGL MECH, SC/CA, BUNA - ZP2 45/60/64/130/134</b>	<b>1</b>
	<i>P2GS060000-E</i>	<i>SEAL KIT, SGL MECH, SC/CA, EPDM - ZP2 45/60/64/130/134</i>	<i>1</i>
	<i>P2GS060000-V</i>	<i>SEAL KIT, SGL MECH, SC/CA, VITON - ZP2 45/60/64/130/134</i>	<i>1</i>
3	<b>P2GS060020-N</b>	<b>SEAL KIT, SGL MECH, CE/CA, BUNA - ZP2 45/60/64/130/134</b>	<b>1</b>
	<i>P2GS060020-E</i>	<i>SEAL KIT, SGL MECH, CE/CA, EPDM - ZP2 45/60/64/130/134</i>	<i>1</i>
	<i>P2GS060020-V</i>	<i>SEAL KIT, SGL MECH, CE/CA, VITON - ZP2 45/60/64/130/134</i>	<i>1</i>
4	<i>P2GS060030-V</i>	<i>SEAL KIT, SGL MECH, CE/CE, VITON - ZP2 45/60/64/130/134</i>	<i>1</i>
5	<b>P2GS060010-N</b>	<b>SEAL KIT, SGL MECH, SC/SC, BUNA - ZP2 45/60/64/130/134</b>	<b>1</b>
	<i>P2GS060010-E</i>	<i>SEAL KIT, SGL MECH, SC/SC, EPDM - ZP2 45/60/64/130/134</i>	<i>1</i>
	<i>P2GS060010-V</i>	<i>SEAL KIT, SGL MECH, SC/SC, VITON - ZP2 45/60/64/130/134</i>	<i>1</i>
49	<b>P2GX101693</b>	<b>BELLEVILLE WASHER, SS - ZP2 45/60/64/130/134</b>	<b>2</b>
50	<b>P2SX101806</b>	<b>ROTOR NUT - ZP2 45/60/64/130/134</b>	<b>2</b>



**Double Mechanical Seal Kit**

*Optional Items Shown in ITALICS*

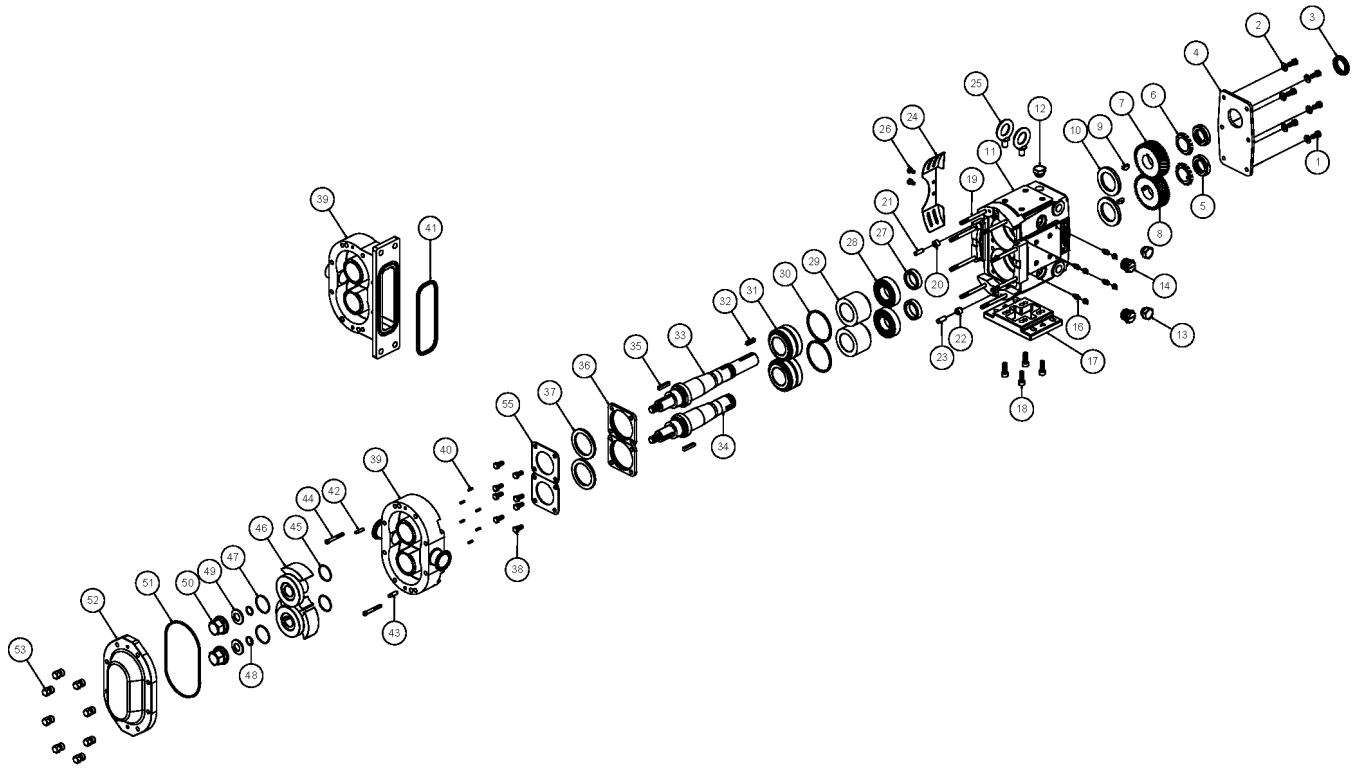
Ref #	Component Item No.	Description	Qty Per
1	<b>P2GX060200-N</b>	<b>SEAL KIT, DBL MECH, ELASTOMERS ONLY, BUNA - ZP2 45/60/64/130/134</b>	<b>1</b>
	<i>P2GX060200-E</i>	<i>SEAL KIT, DBL MECH, ELASTOMERS ONLY, EPDM - ZP2 45/60/64/130/134</i>	<i>1</i>
	<i>P2GX060200-V</i>	<i>SEAL KIT, DBL MECH, ELASTOMERS ONLY, VITON - ZP2 45/60/64/130/134</i>	<i>1</i>
2	<b>P2GS060200-N</b>	<b>SEAL KIT, DBL MECH, SC/CA/CA, BUNA - ZP2 45/60/64/130/134</b>	<b>1</b>
	<i>P2GS060200-E</i>	<i>SEAL KIT, DBL MECH, SC/CA/CA, EPDM - ZP2 45/60/64/130/134</i>	<i>1</i>
	<i>P2GS060200-V</i>	<i>SEAL KIT, DBL MECH, SC/CA/CA, VITON - ZP2 45/60/64/130/134</i>	<i>1</i>
3	<b>P2GS060220-N</b>	<b>SEAL KIT, DBL MECH, CE/CA/CA, BUNA - ZP2 45/60/64/130/134</b>	<b>1</b>
	<i>P2GS060220-E</i>	<i>SEAL KIT, DBL MECH, CE/CA/CA, EPDM - ZP2 45/60/64/130/134</i>	<i>1</i>
	<i>P2GS060220-V</i>	<i>SEAL KIT, DBL MECH, CE/CA/CA, VITON - ZP2 45/60/64/130/134</i>	<i>1</i>
4	<b>P2GS060230-N</b>	<b>SEAL KIT, DBL MECH, CE/CE/CA, BUNA - ZP2 45/60/64/130/134</b>	<b>1</b>
5	<b>P2GS060210-N</b>	<b>SEAL KIT, DBL MECH, SC/SC/CA, BUNA - ZP2 45/60/64/130/134</b>	<b>1</b>
	<i>P2GS060210-E</i>	<i>SEAL KIT, DBL MECH, SC/SC/CA, EPDM - ZP2 45/60/64/130/134</i>	<i>1</i>
	<i>P2GS060210-V</i>	<i>SEAL KIT, DBL MECH, SC/SC/CA, VITON - ZP2 45/60/64/130/134</i>	<i>1</i>
49	<b>P2GX101693</b>	<b>BELLEVILLE WASHER, SS - ZP2 45/60/64/130/134</b>	<b>2</b>
50	<b>P2SX101806</b>	<b>ROTOR NUT - ZP2 45/60/64/130/134</b>	<b>2</b>



**Exploded View**

*Optional Items Shown in ITALICS*

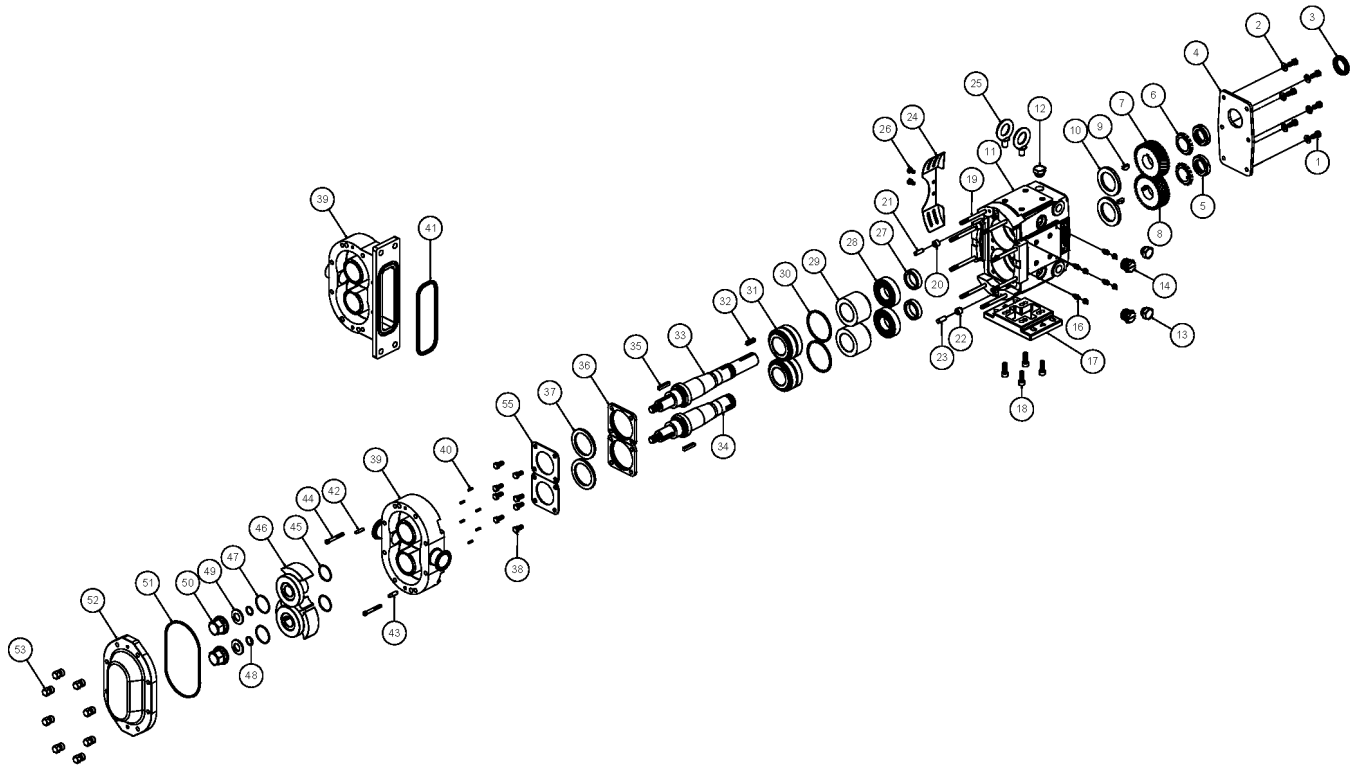
Ref #	Component Item No.	Description	Qty Per
1	P1GX30-50	GEAR CASE COVER BOLT - 3/8-16 X 3/4 HHCS (18-8 SS)	6
2	P1GX43-189	GEAR CASE COVER WASHER - 3/8 FLAT WASHER (18-8 SS)	6
3	P1GX000030012	OIL SEAL, GEAR CASE COVER - ZP1 & ZP2 45/60/64/130/134	1
4	P1SX070106000	GEAR CASE COVER, SS - ZP1 & ZP2 45/60/64/130/134	1
5	P1GXSTD236009	GEAR LOCKNUT ZP1 & ZP2 45/60/64/130/134	2
6	P1GXSTD136009	GEAR LOCKWASHER ZP1 & ZP2 45/60/64/130/134	2
7	P1GX060007001	GEAR DRIVE SHAFT ZP1 & ZP2 45/60/64/130/134	1
8	P1GX060007002	GEAR SHORT SHAFT ZP1 & ZP2 45/60/64/130/134	1
9	P1GX060037000	GEAR KEY - ZP1 & ZP2 45/60/64/130/134	2
10	P1GX000030011	OIL SEAL REAR - ZP1 & ZP2 45/60/64/130/134	2
11	P1SX070005000	GEAR CASE, SS - ZP1 & ZP2 45/60/64/130/134	1
12	P1GX115798	PLUG,HEX,20M X1.5,W/NBR SEAL	5
13	P1GX115799	GAUGE,OIL,LVL,INDIC,M-20X1.5	1
14	P1GX70PLUG-SS	CLEAN OUT PLUG, SS - ZP1 & ZP2 45/60/64/130/134	4
	<i>P1GX70PLUG</i>	<i>CLEAN OUT PLUG, YELLOW - ZP1 &amp; ZP2 45/60/64/130/134</i>	4
16	P1GXBD0092001	GREASE FITTING, THREADED 1/4"-28 TAPER, SS	8
17	P1SX070110000	GEAR CASE BASE, SS - ZP1 & ZP2 45/60/64/130/134	1
18	P1GX60SHCSGCB	SHCS, G. CASE BASE, (18-8 SS) 1/2-13 X 1.5" ZP1 & ZP2 60/130	4
19	P2GX101722	STUD, ZP2 130	8
	<i>P1GX130011001</i>	<i>STUD, JACKETED COVER, ZP2 130</i>	8
20	P1GXCD0116000	UPPER DOWEL BUSHING - ZP1 & ZP2 45/60/64/130/134/180/220/224	1
21	P1GX124584	DOWEL PIN - ZP1 & ZP2 45/60/64/130/134	1
22	P1GXCD0116100	LOWER DOWEL BUSHING - ZP1 & ZP2 45/60/64/130/134/180/220/224	1
23	P1GX124586	DOWEL PIN - ZP1 & ZP2 45/60/64/130/134	1
24	P1SX070CEGUARD	GUARD,45-134,(CE),GC,SS	2
25	P1GXEYEBOLT-SS	EYE BOLT,60-224,SS	2
26	P1GX000CENAIL	DRIVENAIL,ZP,GEAR CASE GUARDS	4



**Exploded View**

*Optional Items Shown in ITALICS*

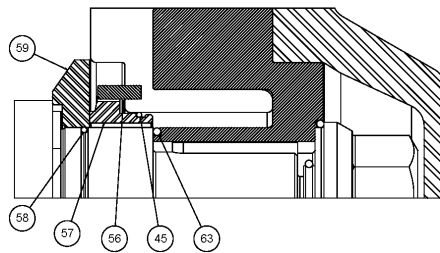
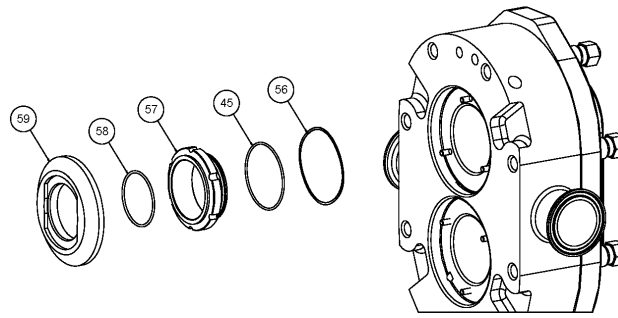
Ref #	Component Item No.	Description	Qty Per
27	P1GX107187	GEAR TO REAR BEARING SPACER - ZP1 & ZP2 45/60/64/130/134	2
28	P1GX107186	REAR BEARING - ZP1 & ZP2 45/60/64/130/134	2
29	P1GX060055003	BEARING SPACER - ZP1 & ZP2 45/60/64/130/134	2
30	P1GX117891	SHIM KIT - ZP1 & ZP2 45/60/64/130/134	2
31	P1GX060036000	FRONT BEARING - ZP1 & ZP2 45/60/64/130/134	2
32	P1GX000037003	DRIVE KEY, 3/8" SQ. X 1-5/8" - ZP1 & ZP2 45/60/64/130/134	1
33	P2SX108413	DRIVE SHAFT (17-4PH) - ZP2 130/134	1
34	P2SX108414	SHORT SHAFT (17-4PH) - ZP2 130/134	1
35	P2SX101825	ROTOR KEY - ZP2 130/134	2
36	P1SX121828	BEARING RETAINER, NEW STYLE 3A - ZP1 & ZP2 60/64/130/134	2
37	P2GX101829	BEARING RETAINER GREASE SEAL - ZP2 45/60/64/130/134	2
39	P2BDY130001000	BODY - ZP2 130	1
	<i>P2BDY130001F00</i>	<i>BODY - ZP2 130 - FLUSHED</i>	1
40	P2GX101720	STOP PIN,SEAL - ZP2 45/60/64/130/134/180/220/224	6
42	P1GX124582	DOWEL PIN - ZP1 & ZP2 45/60/64/130/134	1
43	P1GX124583	DOWEL PIN - ZP1 & ZP2 45/60/64/130/134	1
44	P1GX30-423	CAPSCRW,SH,5/16-18X4,18-8SS SCKT HD	2
45	N70035	O-RING, INNER SEAL (BUNA) - ZP2 45/60/64/130/134	2
	<i>E70035</i>	<i>O-RING, INNER SEAL (EPDM) - ZP2 45/60/64/130/134</i>	2
	<i>V70035</i>	<i>O-RING, INNER SEAL (VITON) - ZP2 45/60/64/130/134</i>	2
46	P2RTB130010000	ROTOR TWIN BLADE - ZP2 130 (STD) - ALLOY 88	2
	<i>P2RTB13001000H</i>	<i>ROTOR TWIN BLADE - ZP2 130 (STD) - ALLOY 88 - HOT CLEARANCE</i>	2
	<i>P2RTB1300100HC</i>	<i>ROTOR TWIN BLADE - ZP2 130 (STD) - ALLOY 88 - HOT CHOCOLATE</i>	2
	<i>P2RTB130010200</i>	<i>ROTOR TWIN BLADE - ZP2 130 (STD) - 316L</i>	2
47	N70227	O-RING, ROTOR NUT (BUNA) - ZP2 45/60/64/130/134	2
	<i>E70227</i>	<i>O-RING, ROTOR NUT (EPDM) - ZP2 45/60/64/130/134</i>	2
	<i>V70227</i>	<i>O-RING, ROTOR NUT (VITON) - ZP2 45/60/64/130/134</i>	2



**Exploded View**

*Optional Items Shown in ITALICS*

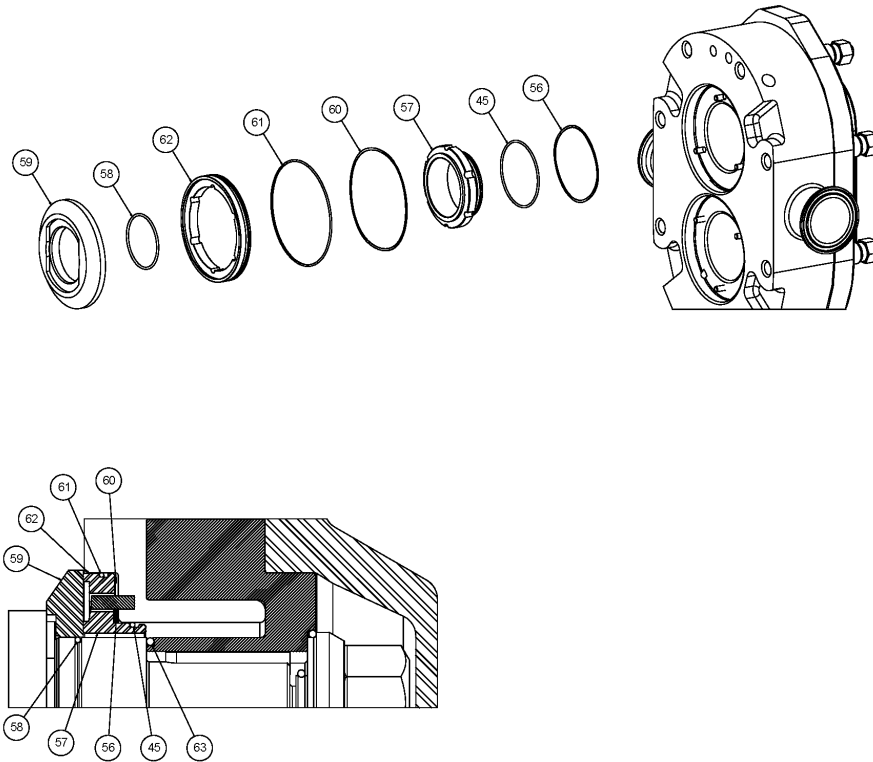
Ref #	Component Item No.	Description	Qty Per
48	<b>N70119</b>	<b>O-RING, RETAINER (BUNA) - ZP2 45/60/64/130/134</b>	<b>2</b>
	<i>E70119</i>	<i>O-RING, RETAINER (EPDM) - ZP2 45/60/64/130/134</i>	<i>2</i>
	<i>V70119</i>	<i>O-RING, RETAINER (VITON) - ZP2 45/60/64/130/134</i>	<i>2</i>
49	<b>P2GX101693</b>	<b>BELLEVILLE WASHER, SS - ZP2 45/60/64/130/134</b>	<b>2</b>
50	<b>P2SX101806</b>	<b>ROTOR NUT - ZP2 45/60/64/130/134</b>	<b>2</b>
51	<b>N70373</b>	<b>O-RING, COVER (BUNA) - ZP2 45/60/64/130/134</b>	<b>1</b>
	<i>E70373</i>	<i>O-RING, COVER (EPDM) - ZP2 45/60/64/130/134</i>	<i>1</i>
	<i>V70373</i>	<i>O-RING, COVER (VITON) - ZP2 45/60/64/130/134</i>	<i>1</i>
52	<b>P2CVR101848</b>	<b>COVER - ZP2 45/60/64/130/134</b>	<b>1</b>
	<i>P2CVR107668</i>	<i>COVER, JACKETED - ZP2 45/60/64/130/134</i>	<i>1</i>
53	<b>P1SX108371</b>	<b>COVER HEX NUT - ZP1 &amp; ZP2 45/60/64/130/134</b>	<b>8</b>
	<i>P1GX105852</i>	<i>WING NUT - ZP1 &amp; ZP2 45/60/64/130/134</i>	<i>8</i>
55	<b>P2SX070SPLATE</b>	<b>BEARING RETAINER SPLASH PLATE - ZP2 45/60/64/130/134</b>	<b>2</b>



**Single Mechanical Seal**

*Optional Items Shown in ITALICS*

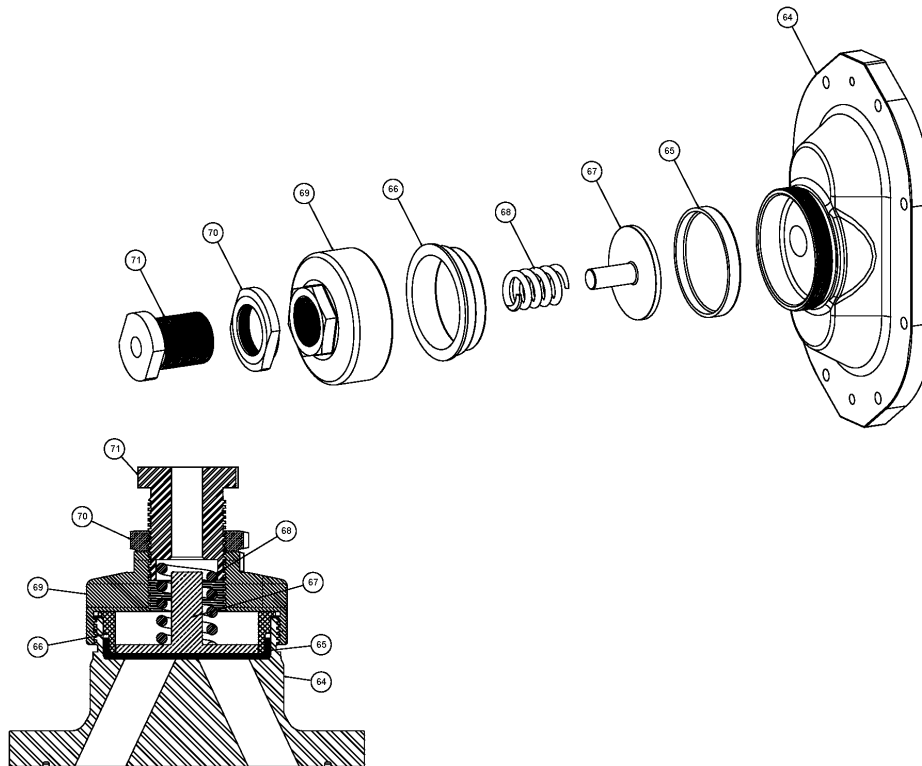
Ref #	Component Item No.	Description	Qty Per
45	<b>N70035</b>	<b>O-RING, INNER SEAL (BUNA) - ZP2 45/60/64/130/134</b>	<b>2</b>
	<i>E70035</i>	<i>O-RING, INNER SEAL (EPDM) - ZP2 45/60/64/130/134</i>	2
	<i>V70035</i>	<i>O-RING, INNER SEAL (VITON) - ZP2 45/60/64/130/134</i>	2
56	<b>P2GS101687</b>	<b>INNER SEAL WAVE SPRING - ZP2 45/60/64/130/134</b>	<b>2</b>
57	<b>P2GS101661</b>	<b>INNER SEAL (C) ZP2 45/60/64/130/134</b>	<b>2</b>
	<i>P2GS101660</i>	<i>INNER SEAL (K) - ZP2 45/60/64/130/134</i>	2
	<i>P2GS101659</i>	<i>INNER SEAL (N) - ZP2 45/60/64/130/134</i>	2
58	<b>N70133</b>	<b>O-RING, SHAFT (BUNA) - ZP2 45/60/64/130/134</b>	<b>2</b>
	<i>E70133</i>	<i>O-RING, SHAFT (EPDM) - ZP2 45/60/64/130/134</i>	2
	<i>V70133</i>	<i>O-RING, SHAFT (VITON) - ZP2 45/60/64/130/134</i>	2
59	<b>P2GS101674</b>	<b>SEAL SEAT (C) ZP2 45/60/64/130/134</b>	<b>2</b>
	<i>P2GS101673</i>	<i>SEAL SEAT (K) ZP2 45/60/64/130/134</i>	2
63	<b>N70224</b>	<b>O-RING, ROTOR HUB (BUNA) - ZP2 45/60/64/130/134</b>	<b>2</b>
	<i>E70224</i>	<i>O-RING, ROTOR HUB (EPDM) - ZP2 45/60/64/130/134</i>	2
	<i>V70224</i>	<i>O-RING, ROTOR HUB (VITON) - ZP2 45/60/64/130/134</i>	2



**Double Mechanical Seal**

*Optional Items Shown in ITALICS*

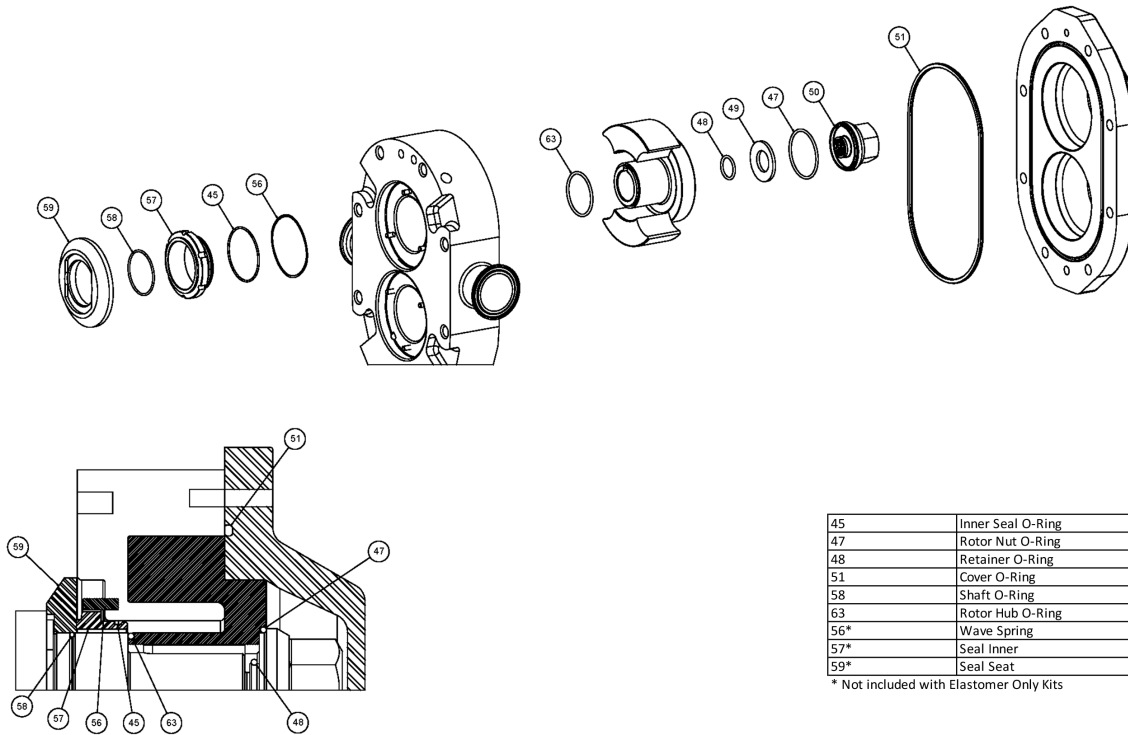
Ref #	Component Item No.	Description	Qty Per
45	<b>N70035</b>	<b>O-RING, INNER SEAL (BUNA) - ZP2 45/60/64/130/134</b>	<b>2</b>
	<i>E70035</i>	<i>O-RING, INNER SEAL (EPDM) - ZP2 45/60/64/130/134</i>	2
	<i>V70035</i>	<i>O-RING, INNER SEAL (VITON) - ZP2 45/60/64/130/134</i>	2
56	<b>P2GS101687</b>	<b>INNER SEAL WAVE SPRING - ZP2 45/60/64/130/134</b>	<b>2</b>
57	<b>P2GS101661</b>	<b>INNER SEAL (C) ZP2 45/60/64/130/134</b>	<b>2</b>
	<i>P2GS101660</i>	<i>INNER SEAL (K) - ZP2 45/60/64/130/134</i>	2
	<i>P2GS101659</i>	<i>INNER SEAL (N) - ZP2 45/60/64/130/134</i>	2
58	<b>N70133</b>	<b>O-RING, SHAFT (BUNA) - ZP2 45/60/64/130/134</b>	<b>2</b>
	<i>E70133</i>	<i>O-RING, SHAFT (EPDM) - ZP2 45/60/64/130/134</i>	2
	<i>V70133</i>	<i>O-RING, SHAFT (VITON) - ZP2 45/60/64/130/134</i>	2
59	<b>P2GS101674</b>	<b>SEAL SEAT (C) ZP2 45/60/64/130/134</b>	<b>2</b>
	<i>P2GS101673</i>	<i>SEAL SEAT (K) ZP2 45/60/64/130/134</i>	2
60	<b>P2GS101688</b>	<b>OUTER SEAL WAVE SPRING - ZP2 45/60/64/130/134</b>	<b>2</b>
61	<b>N70043</b>	<b>O-RING, OUTER SEAL (BUNA) - ZP2 45/60/64/130/134</b>	<b>2</b>
	<i>E70043</i>	<i>O-RING, OUTER SEAL (EPDM) - ZP2 45/60/64/130/134</i>	2
	<i>V70043</i>	<i>O-RING, OUTER SEAL (VITON) - ZP2 45/60/64/130/134</i>	2
62	<b>P2GS101681</b>	<b>OUTER SEAL (N) ZP2 45/60/64/130/134</b>	<b>2</b>
63	<b>N70224</b>	<b>O-RING, ROTOR HUB (BUNA) - ZP2 45/60/64/130/134</b>	<b>2</b>
	<i>E70224</i>	<i>O-RING, ROTOR HUB (EPDM) - ZP2 45/60/64/130/134</i>	2
	<i>V70224</i>	<i>O-RING, ROTOR HUB (VITON) - ZP2 45/60/64/130/134</i>	2



**Pressure Relief Cover**

*Optional Items Shown in ITALICS*

Ref #	Component Item No.	Description	Qty Per
64	P2CVR103671	VENTED FRONT COVER, ZP2 - 45/60/64/130/134	1
65	P1GXCD0078000	RUBBER DIAPHRAGM, BUNA, ZP1 & ZP2 & ZP3 - 60/64/130/134	1
	<i>P1GXCD0078E00</i>	<i>RUBBER DIAPHRAGM, EPDM, ZP1 &amp; ZP2 &amp; ZP3 - 60/64/130/134</i>	1
	<i>P1GXCD0078V00</i>	<i>RUBBER DIAPHRAGM, VITON, ZP1 &amp; ZP2 &amp; ZP3 - 60/64/130/134</i>	1
66	P1SXCD0077000	DIAPHRAGM BUSHING, ZP1 & ZP2 & ZP3 - 60/64/130/134	1
67	P1SX113397	SPRING PLUNGER, ZP1 & ZP2 & ZP3 - 60/64/130/134	1
68	P1SX113523	SPRING, MEDIUM, (LESS THAN 150 PSI), ZP1 & ZP2 & ZP3 - 60/64/130/134	1
	<i>P1SX113400</i>	<i>SPRING, HIGH, (MORE THAN 150 PSI), ZP1 &amp; ZP2 &amp; ZP3 - 60/64/130/134</i>	1
69	P1SX113398	COVER NUT, ZP1 & ZP2 & ZP3 - 60/64/130/134	1
70	P1SXGD0074000	LOCKNUT, ZP1 & ZP2 & ZP3 - 60/64/130/134/180/184/220/224	1
71	P1SX113657	ADJUSTING SCREW, ZP1 & ZP2 & ZP3 - 60/64/130/134/180/184/220/224	1



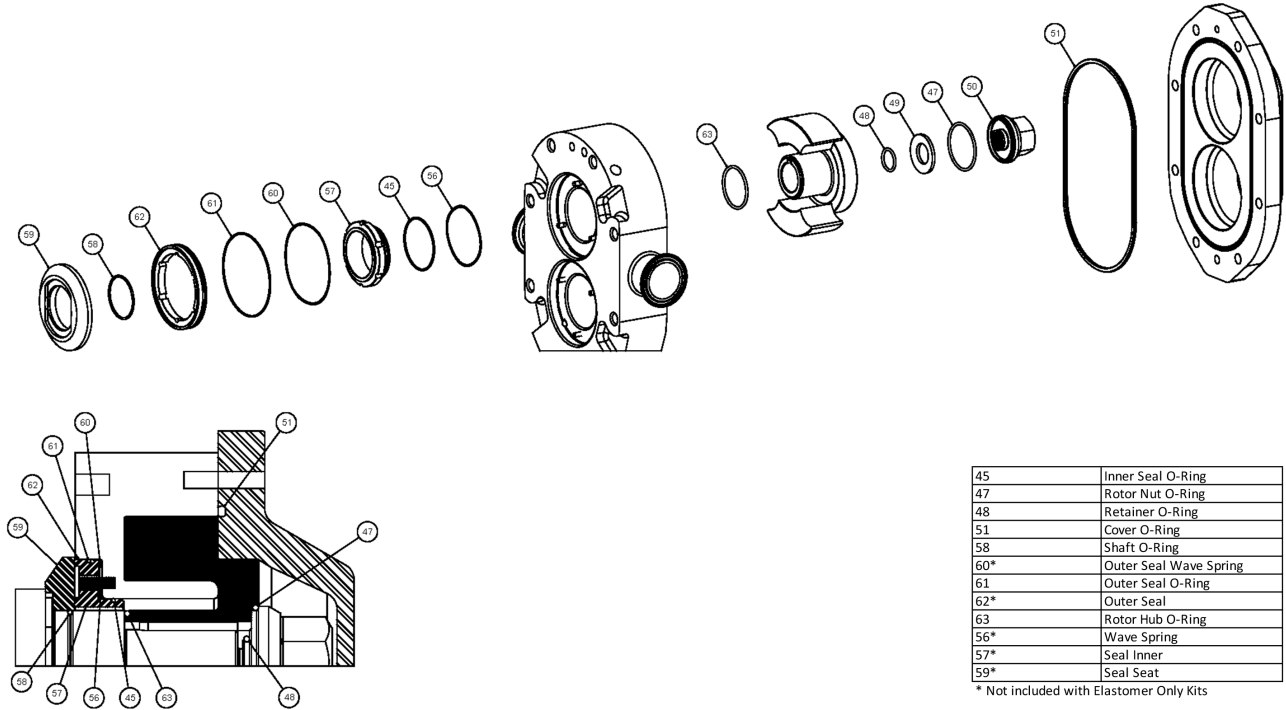
45	Inner Seal O-Ring
47	Rotor Nut O-Ring
48	Retainer O-Ring
51	Cover O-Ring
58	Shaft O-Ring
63	Rotor Hub O-Ring
56*	Wave Spring
57*	Seal Inner
59*	Seal Seat

\* Not included with Elastomer Only Kits

**Single Mechanical Seal Kit**

*Optional Items Shown in ITALICS*

Ref #	Component Item No.	Description	Qty Per
1	<b>P2GX060000-N</b>	<b>SEAL KIT, SGL MECH, ELASTOMERS ONLY, BUNA - ZP2 45/60/64/130/134</b>	<b>1</b>
	<i>P2GX060000-E</i>	<i>SEAL KIT, SGL MECH, ELASTOMERS ONLY, EPDM - ZP2 45/60/64/130/134</i>	<i>1</i>
	<i>P2GX060000-V</i>	<i>SEAL KIT, SGL MECH, ELASTOMERS ONLY, VITON - ZP2 45/60/64/130/134</i>	<i>1</i>
2	<b>P2GS060000-N</b>	<b>SEAL KIT, SGL MECH, SC/CA, BUNA - ZP2 45/60/64/130/134</b>	<b>1</b>
	<i>P2GS060000-E</i>	<i>SEAL KIT, SGL MECH, SC/CA, EPDM - ZP2 45/60/64/130/134</i>	<i>1</i>
	<i>P2GS060000-V</i>	<i>SEAL KIT, SGL MECH, SC/CA, VITON - ZP2 45/60/64/130/134</i>	<i>1</i>
3	<b>P2GS060020-N</b>	<b>SEAL KIT, SGL MECH, CE/CA, BUNA - ZP2 45/60/64/130/134</b>	<b>1</b>
	<i>P2GS060020-E</i>	<i>SEAL KIT, SGL MECH, CE/CA, EPDM - ZP2 45/60/64/130/134</i>	<i>1</i>
	<i>P2GS060020-V</i>	<i>SEAL KIT, SGL MECH, CE/CA, VITON - ZP2 45/60/64/130/134</i>	<i>1</i>
4	<i>P2GS060030-V</i>	<i>SEAL KIT, SGL MECH, CE/CE, VITON - ZP2 45/60/64/130/134</i>	<i>1</i>
5	<b>P2GS060010-N</b>	<b>SEAL KIT, SGL MECH, SC/SC, BUNA - ZP2 45/60/64/130/134</b>	<b>1</b>
	<i>P2GS060010-E</i>	<i>SEAL KIT, SGL MECH, SC/SC, EPDM - ZP2 45/60/64/130/134</i>	<i>1</i>
	<i>P2GS060010-V</i>	<i>SEAL KIT, SGL MECH, SC/SC, VITON - ZP2 45/60/64/130/134</i>	<i>1</i>
49	<b>P2GX101693</b>	<b>BELLEVILLE WASHER, SS - ZP2 45/60/64/130/134</b>	<b>2</b>
50	<b>P2SX101806</b>	<b>ROTOR NUT - ZP2 45/60/64/130/134</b>	<b>2</b>



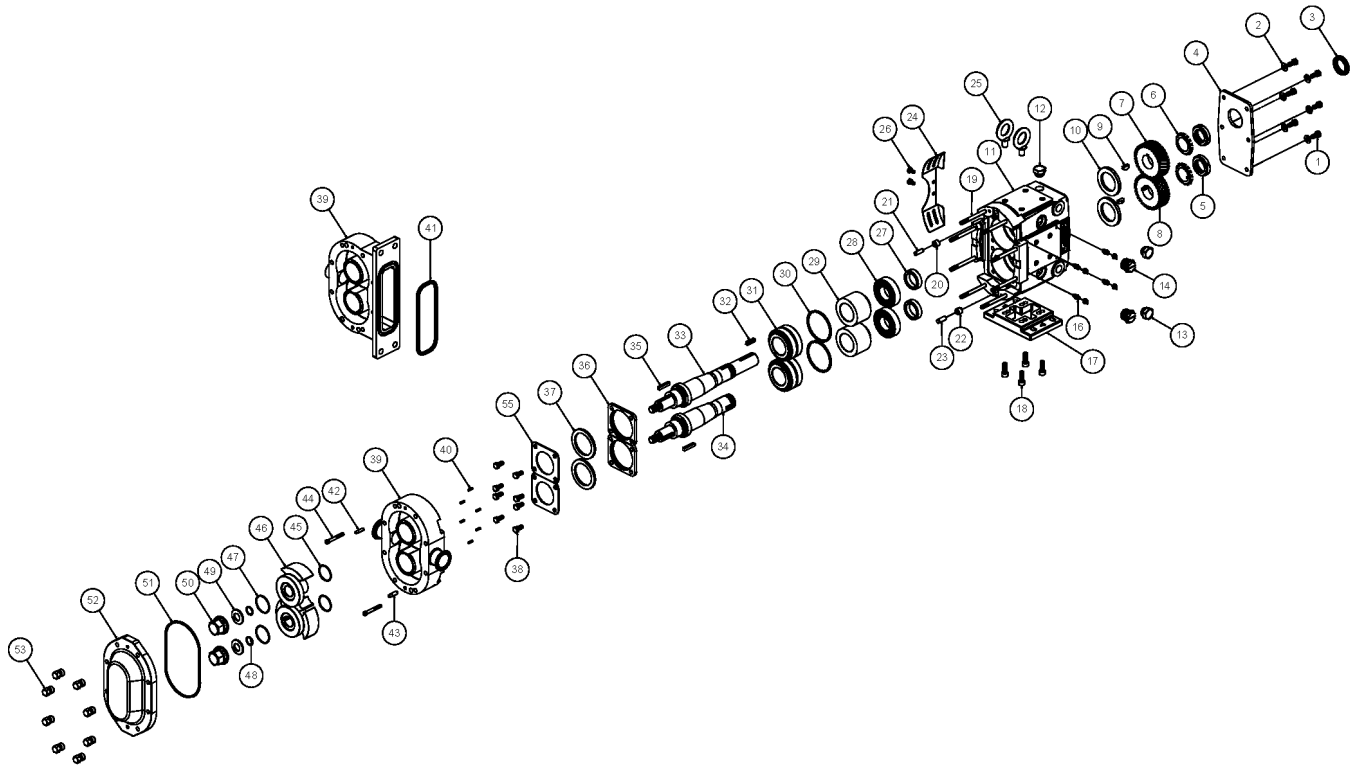
45	Inner Seal O-Ring
47	Rotor Nut O-Ring
48	Retainer O-Ring
51	Cover O-Ring
58	Shaft O-Ring
60*	Outer Seal Wave Spring
61	Outer Seal O-Ring
62*	Outer Seal
63	Rotor Hub O-Ring
56*	Wave Spring
57*	Seal Inner
59*	Seal Seat

\* Not included with Elastomer Only Kits

**Double Mechanical Seal Kit**

*Optional Items Shown in ITALICS*

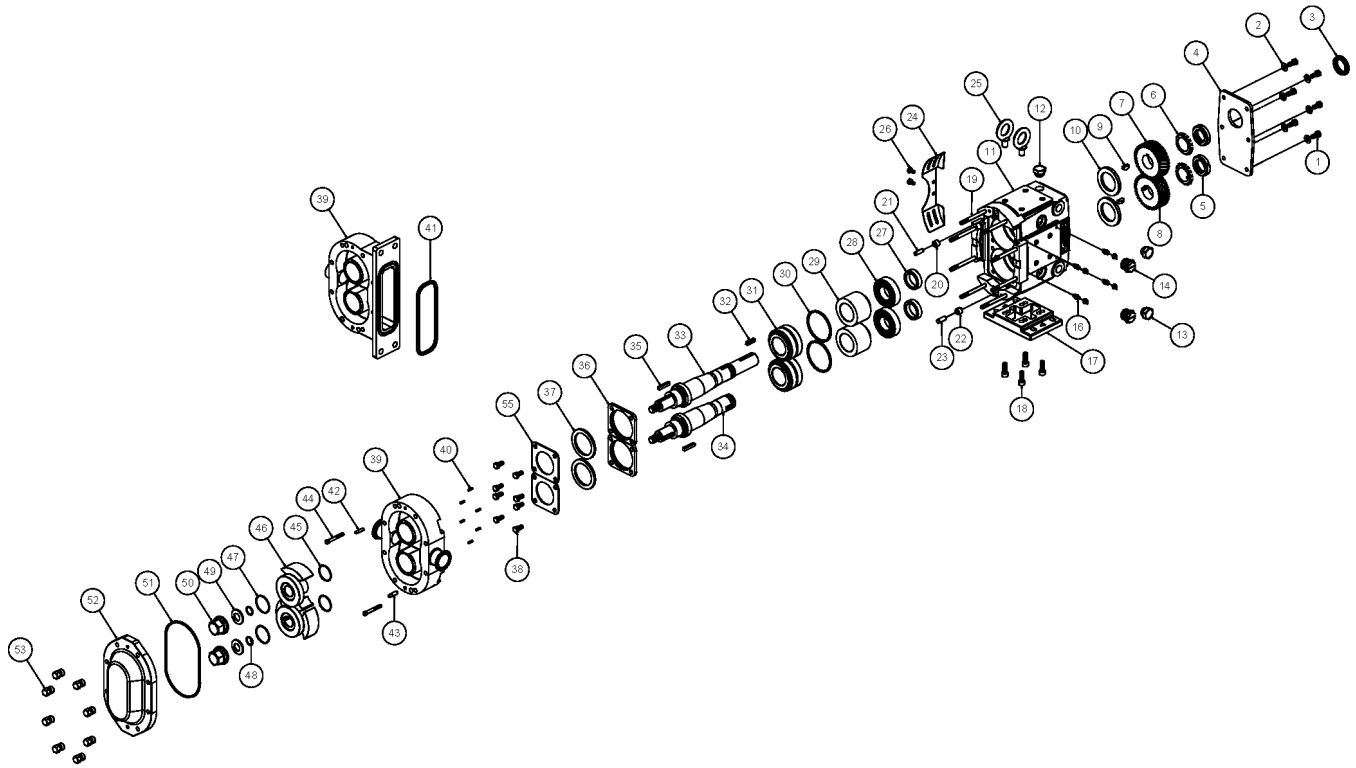
Ref #	Component Item No.	Description	Qty Per
1	<b>P2GX060200-N</b>	<b>SEAL KIT, DBL MECH, ELASTOMERS ONLY, BUNA - ZP2 45/60/64/130/134</b>	<b>1</b>
	<i>P2GX060200-E</i>	<i>SEAL KIT, DBL MECH, ELASTOMERS ONLY, EPDM - ZP2 45/60/64/130/134</i>	<i>1</i>
	<i>P2GX060200-V</i>	<i>SEAL KIT, DBL MECH, ELASTOMERS ONLY, VITON - ZP2 45/60/64/130/134</i>	<i>1</i>
2	<b>P2GS060200-N</b>	<b>SEAL KIT, DBL MECH, SC/CA/CA, BUNA - ZP2 45/60/64/130/134</b>	<b>1</b>
	<i>P2GS060200-E</i>	<i>SEAL KIT, DBL MECH, SC/CA/CA, EPDM - ZP2 45/60/64/130/134</i>	<i>1</i>
	<i>P2GS060200-V</i>	<i>SEAL KIT, DBL MECH, SC/CA/CA, VITON - ZP2 45/60/64/130/134</i>	<i>1</i>
3	<b>P2GS060220-N</b>	<b>SEAL KIT, DBL MECH, CE/CA/CA, BUNA - ZP2 45/60/64/130/134</b>	<b>1</b>
	<i>P2GS060220-E</i>	<i>SEAL KIT, DBL MECH, CE/CA/CA, EPDM - ZP2 45/60/64/130/134</i>	<i>1</i>
	<i>P2GS060220-V</i>	<i>SEAL KIT, DBL MECH, CE/CA/CA, VITON - ZP2 45/60/64/130/134</i>	<i>1</i>
4	<b>P2GS060230-N</b>	<b>SEAL KIT, DBL MECH, CE/CE/CA, BUNA - ZP2 45/60/64/130/134</b>	<b>1</b>
5	<b>P2GS060210-N</b>	<b>SEAL KIT, DBL MECH, SC/SC/CA, BUNA - ZP2 45/60/64/130/134</b>	<b>1</b>
	<i>P2GS060210-E</i>	<i>SEAL KIT, DBL MECH, SC/SC/CA, EPDM - ZP2 45/60/64/130/134</i>	<i>1</i>
	<i>P2GS060210-V</i>	<i>SEAL KIT, DBL MECH, SC/SC/CA, VITON - ZP2 45/60/64/130/134</i>	<i>1</i>
49	<b>P2GX101693</b>	<b>BELLEVILLE WASHER, SS - ZP2 45/60/64/130/134</b>	<b>2</b>
50	<b>P2SX101806</b>	<b>ROTOR NUT - ZP2 45/60/64/130/134</b>	<b>2</b>



**Exploded View**

*Optional Items Shown in ITALICS*

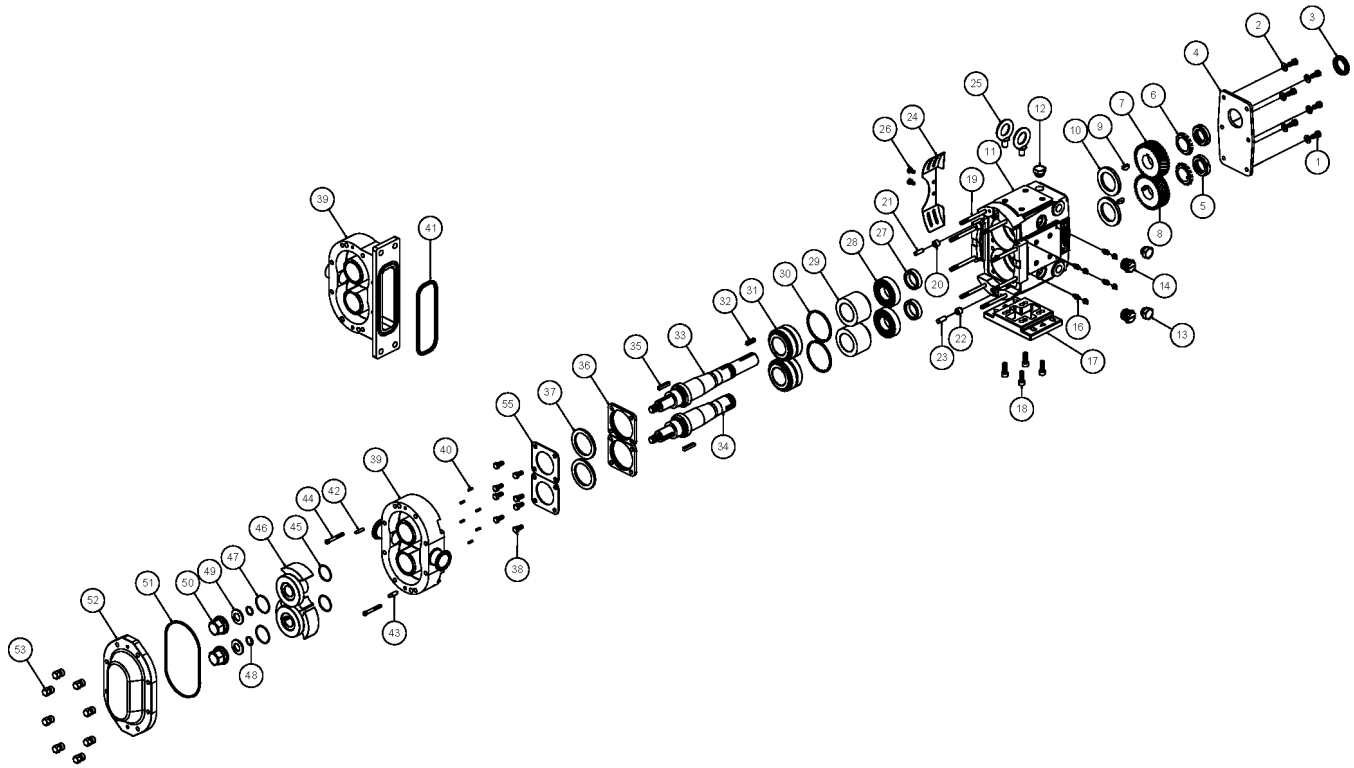
Ref #	Component Item No.	Description	Qty Per
1	P1GX30-50	GEAR CASE COVER BOLT - 3/8-16 X 3/4 HHCS (18-8 SS)	6
2	P1GX43-189	GEAR CASE COVER WASHER - 3/8 FLAT WASHER (18-8 SS)	6
3	P1GX000030012	OIL SEAL, GEAR CASE COVER - ZP1 & ZP2 45/60/64/130/134	1
4	P1SX070106000	GEAR CASE COVER, SS - ZP1 & ZP2 45/60/64/130/134	1
5	P1GXSTD236009	GEAR LOCKNUT ZP1 & ZP2 45/60/64/130/134	2
6	P1GXSTD136009	GEAR LOCKWASHER ZP1 & ZP2 45/60/64/130/134	2
7	P1GX060007001	GEAR DRIVE SHAFT ZP1 & ZP2 45/60/64/130/134	1
8	P1GX060007002	GEAR SHORT SHAFT ZP1 & ZP2 45/60/64/130/134	1
9	P1GX060037000	GEAR KEY - ZP1 & ZP2 45/60/64/130/134	2
10	P1GX000030011	OIL SEAL REAR - ZP1 & ZP2 45/60/64/130/134	2
11	P1SX070005000	GEAR CASE, SS - ZP1 & ZP2 45/60/64/130/134	1
12	P1GX115798	PLUG,HEX,20M X1.5,W/NBR SEAL	5
13	P1GX115799	GAUGE,OIL,LVL,INDIC,M-20X1.5	1
14	P1GX70PLUG-SS	CLEAN OUT PLUG, SS - ZP1 & ZP2 45/60/64/130/134	4
	<i>P1GX70PLUG</i>	<i>CLEAN OUT PLUG, YELLOW - ZP1 &amp; ZP2 45/60/64/130/134</i>	4
16	P1GXBD0092001	GREASE FITTING, THREADED 1/4"-28 TAPER, SS	8
17	P1SX070110000	GEAR CASE BASE, SS - ZP1 & ZP2 45/60/64/130/134	1
18	P1GX60SHCSGCB	SHCS, G. CASE BASE, (18-8 SS) 1/2-13 X 1.5" ZP1 & ZP2 60/130	4
19	P2GX101722	STUD, ZP2 134	6
	P1GX0C1050000	STUD, SHORT, ZP2 134	2
	<i>P1GX35556</i>	<i>STUD, SHORT, JACKETED COVER, ZP2 134</i>	2
	<i>P1GX130011001</i>	<i>STUD, JACKETED COVER, ZP2 134</i>	6
20	P1GXCD0116000	UPPER DOWEL BUSHING - ZP1 & ZP2 45/60/64/130/134/180/220/224	1
21	P1GX124584	DOWEL PIN - ZP1 & ZP2 45/60/64/130/134	1
22	P1GXCD0116100	LOWER DOWEL BUSHING - ZP1 & ZP2 45/60/64/130/134/180/220/224	1
23	P1GX124586	DOWEL PIN - ZP1 & ZP2 45/60/64/130/134	1
24	P1SX070CEGUARD	GUARD,45-134,(CE),GC,SS	2



**Exploded View**

*Optional Items Shown in ITALICS*

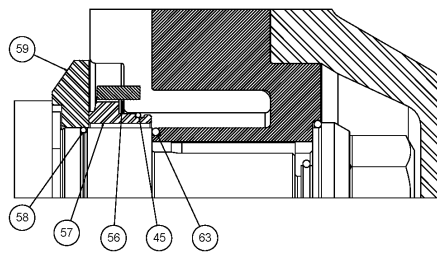
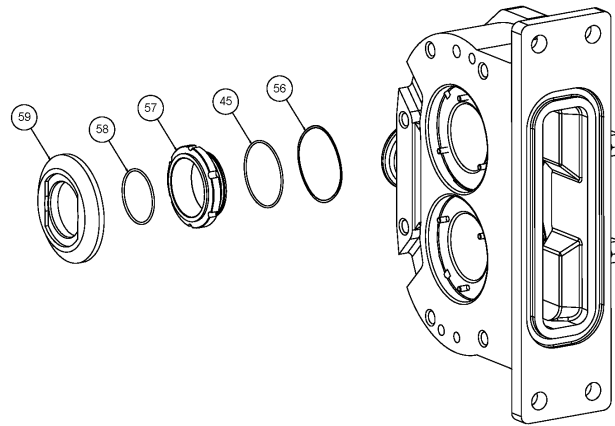
Ref #	Component Item No.	Description	Qty Per
25	P1GXEYEBOLT-SS	EYE BOLT,60-224,SS	2
26	P1GX000CENAIL	DRIVENAIL,ZP,GEAR CASE GUARDS	4
27	P1GX107187	GEAR TO REAR BEARING SPACER - ZP1 & ZP2 45/60/64/130/134	2
28	P1GX107186	REAR BEARING - ZP1 & ZP2 45/60/64/130/134	2
29	P1GX060055003	BEARING SPACER - ZP1 & ZP2 45/60/64/130/134	2
30	P1GX117891	SHIM KIT - ZP1 & ZP2 45/60/64/130/134	2
31	P1GX060036000	FRONT BEARING - ZP1 & ZP2 45/60/64/130/134	2
32	P1GX000037003	DRIVE KEY, 3/8" SQ. X 1-5/8" - ZP1 & ZP2 45/60/64/130/134	1
33	P2SX108413	DRIVE SHAFT (17-4PH) - ZP2 130/134	1
34	P2SX108414	SHORT SHAFT (17-4PH) - ZP2 130/134	1
35	P2SX101825	ROTOR KEY - ZP2 130/134	2
36	P1SX121828	BEARING RETAINER, NEW STYLE 3A - ZP1 & ZP2 60/64/130/134	2
37	P2GX101829	BEARING RETAINER GREASE SEAL - ZP2 45/60/64/130/134	2
39	P2BDY134001000	BODY - ZP2 134	1
	<i>P2BDY134001F00</i>	<i>BODY - ZP2 134 - FLUSHED</i>	1
40	P2GX101720	STOP PIN,SEAL - ZP2 45/60/64/130/134/180/220/224	6
41	N70369	O-RING, RECTANGULAR FLANGE (BUNA) - ZP1 & ZP2 134	1
	<i>E70369</i>	<i>O-RING, RECTANGULAR FLANGE (EPDM) - ZP1 &amp; ZP2 134</i>	1
	<i>V70369</i>	<i>O-RING, RECTANGULAR FLANGE (VITON) - ZP1 &amp; ZP2 134</i>	1
42	P1GX124582	DOWEL PIN - ZP1 & ZP2 45/60/64/130/134	1
43	P1GX124583	DOWEL PIN - ZP1 & ZP2 45/60/64/130/134	1
44	P1GX30-423	CAPSCRW,SH,5/16-18X4,18-8SS SCKT HD	2
45	N70035	O-RING, INNER SEAL (BUNA) - ZP2 45/60/64/130/134	2
	<i>E70035</i>	<i>O-RING, INNER SEAL (EPDM) - ZP2 45/60/64/130/134</i>	2
	<i>V70035</i>	<i>O-RING, INNER SEAL (VITON) - ZP2 45/60/64/130/134</i>	2
46	P2RTB130010000	ROTOR TWIN BLADE - ZP2 130 (STD) - ALLOY 88	2
	<i>P2RTB13001000H</i>	<i>ROTOR TWIN BLADE - ZP2 130 (STD) - ALLOY 88 - HOT CLEARANCE</i>	2



**Exploded View**

*Optional Items Shown in ITALICS*

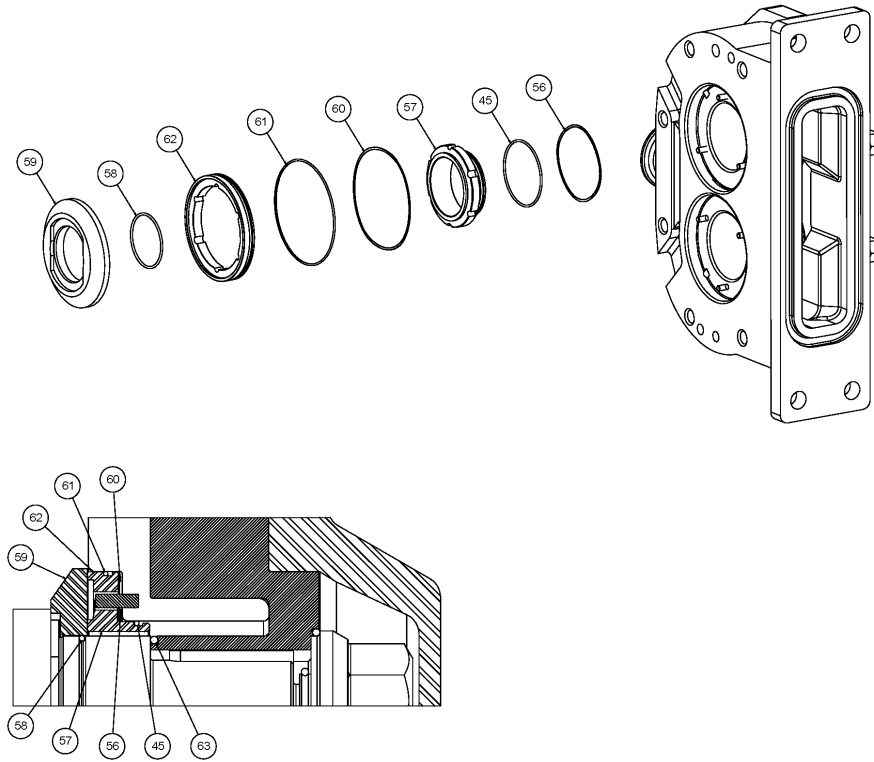
Ref #	Component Item No.	Description	Qty Per
46	<i>P2RTB1300100HC</i>	<i>ROTOR TWIN BLADE - ZP2 130 (STD) - ALLOY 88 - HOT CHOCOLATE</i>	2
	<i>P2RTB130010200</i>	<i>ROTOR TWIN BLADE - ZP2 130 (STD) - 316L</i>	2
47	<b>N70227</b>	<b>O-RING, ROTOR NUT (BUNA) - ZP2 45/60/64/130/134</b>	2
	<i>E70227</i>	<i>O-RING, ROTOR NUT (EPDM) - ZP2 45/60/64/130/134</i>	2
	<i>V70227</i>	<i>O-RING, ROTOR NUT (VITON) - ZP2 45/60/64/130/134</i>	2
48	<b>N70119</b>	<b>O-RING, RETAINER (BUNA) - ZP2 45/60/64/130/134</b>	2
	<i>E70119</i>	<i>O-RING, RETAINER (EPDM) - ZP2 45/60/64/130/134</i>	2
	<i>V70119</i>	<i>O-RING, RETAINER (VITON) - ZP2 45/60/64/130/134</i>	2
49	<b>P2GX101693</b>	<b>BELLEVILLE WASHER, SS - ZP2 45/60/64/130/134</b>	2
50	<b>P2SX101806</b>	<b>ROTOR NUT - ZP2 45/60/64/130/134</b>	2
51	<b>N70373</b>	<b>O-RING, COVER (BUNA) - ZP2 45/60/64/130/134</b>	1
	<i>E70373</i>	<i>O-RING, COVER (EPDM) - ZP2 45/60/64/130/134</i>	1
	<i>V70373</i>	<i>O-RING, COVER (VITON) - ZP2 45/60/64/130/134</i>	1
52	<b>P2CVR101848</b>	<b>COVER - ZP2 45/60/64/130/134</b>	1
	<i>P2CVR107668</i>	<i>COVER, JACKETED - ZP2 45/60/64/130/134</i>	1
53	<b>P1SX108371</b>	<b>COVER HEX NUT - ZP1 &amp; ZP2 45/60/64/130/134</b>	8
	<i>P1GX105852</i>	<i>WING NUT - ZP1 &amp; ZP2 45/60/64/130/134</i>	8
55	<b>P2SX070SPATE</b>	<b>BEARING RETAINER SPLASH PLATE - ZP2 45/60/64/130/134</b>	2



**Single Mechanical Seal**

*Optional Items Shown in ITALICS*

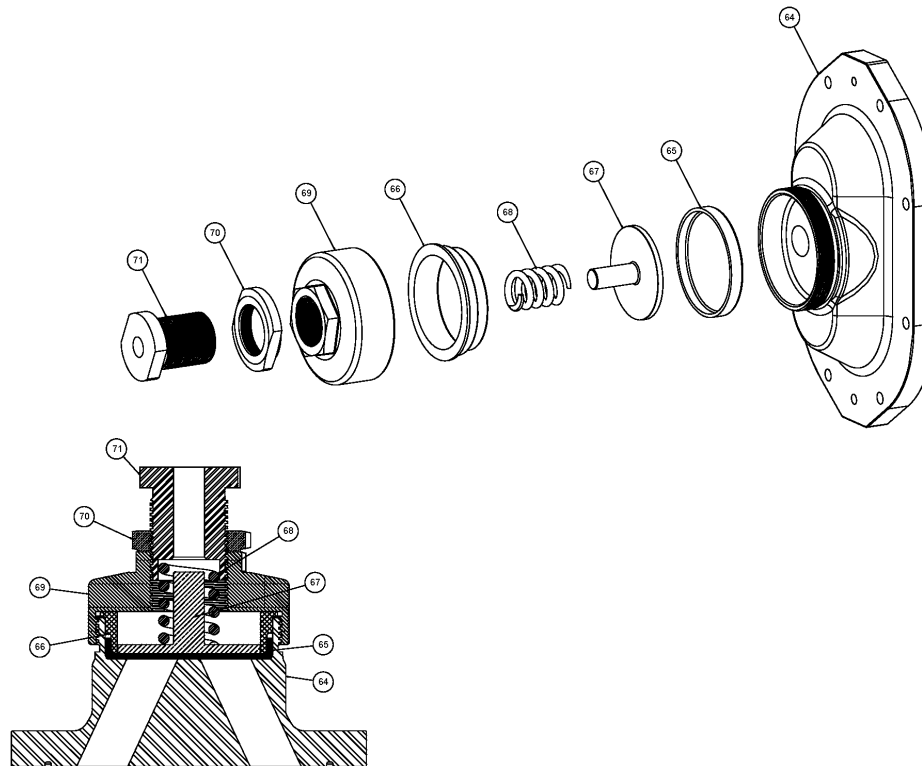
Ref #	Component Item No.	Description	Qty Per
45	<b>N70035</b>	<b>O-RING, INNER SEAL (BUNA) - ZP2 45/60/64/130/134</b>	<b>2</b>
	<i>E70035</i>	<i>O-RING, INNER SEAL (EPDM) - ZP2 45/60/64/130/134</i>	2
	<i>V70035</i>	<i>O-RING, INNER SEAL (VITON) - ZP2 45/60/64/130/134</i>	2
56	<b>P2GS101687</b>	<b>INNER SEAL WAVE SPRING - ZP2 45/60/64/130/134</b>	<b>2</b>
57	<b>P2GS101661</b>	<b>INNER SEAL (C) ZP2 45/60/64/130/134</b>	<b>2</b>
	<i>P2GS101660</i>	<i>INNER SEAL (K) - ZP2 45/60/64/130/134</i>	2
	<i>P2GS101659</i>	<i>INNER SEAL (N) - ZP2 45/60/64/130/134</i>	2
58	<b>N70133</b>	<b>O-RING, SHAFT (BUNA) - ZP2 45/60/64/130/134</b>	<b>2</b>
	<i>E70133</i>	<i>O-RING, SHAFT (EPDM) - ZP2 45/60/64/130/134</i>	2
	<i>V70133</i>	<i>O-RING, SHAFT (VITON) - ZP2 45/60/64/130/134</i>	2
59	<b>P2GS101674</b>	<b>SEAL SEAT (C) ZP2 45/60/64/130/134</b>	<b>2</b>
	<i>P2GS101673</i>	<i>SEAL SEAT (K) ZP2 45/60/64/130/134</i>	2
63	<b>N70224</b>	<b>O-RING, ROTOR HUB (BUNA) - ZP2 45/60/64/130/134</b>	<b>2</b>
	<i>E70224</i>	<i>O-RING, ROTOR HUB (EPDM) - ZP2 45/60/64/130/134</i>	2
	<i>V70224</i>	<i>O-RING, ROTOR HUB (VITON) - ZP2 45/60/64/130/134</i>	2



**Double Mechanical Seal**

*Optional Items Shown in ITALICS*

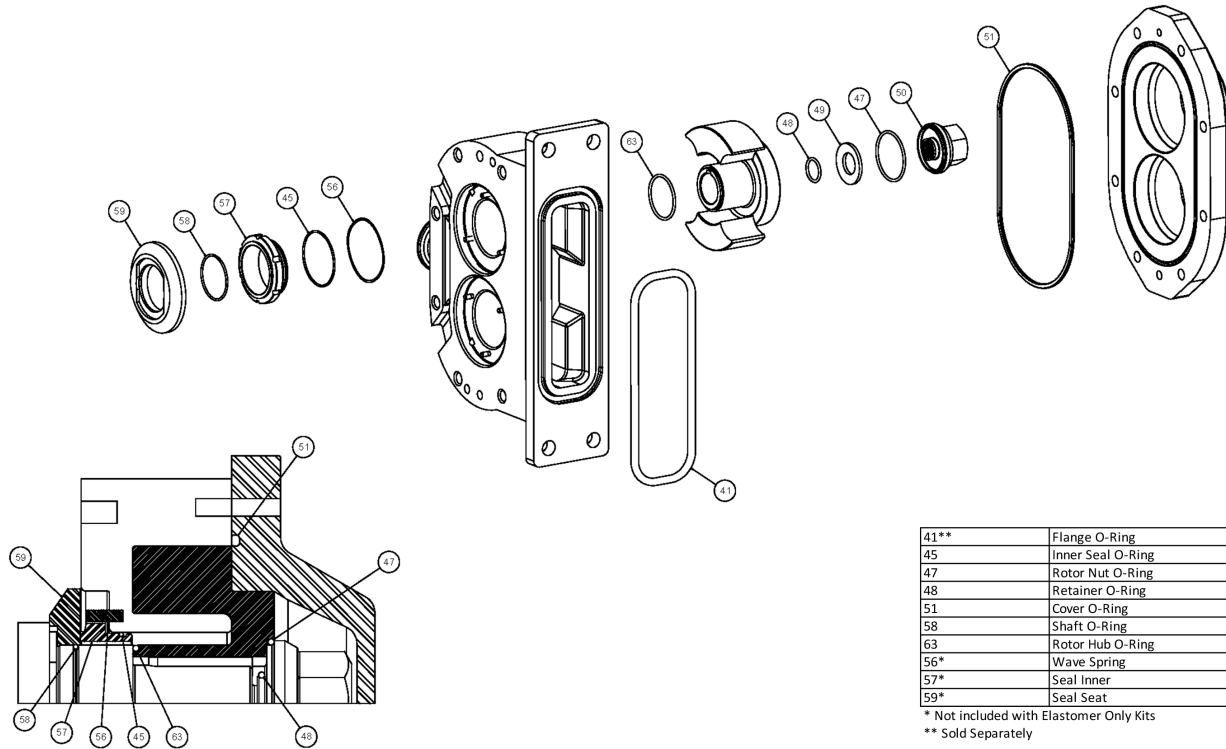
Ref #	Component Item No.	Description	Qty Per
45	<b>N70035</b>	<b>O-RING, INNER SEAL (BUNA) - ZP2 45/60/64/130/134</b>	<b>2</b>
	<i>E70035</i>	<i>O-RING, INNER SEAL (EPDM) - ZP2 45/60/64/130/134</i>	2
	<i>V70035</i>	<i>O-RING, INNER SEAL (VITON) - ZP2 45/60/64/130/134</i>	2
56	<b>P2GS101687</b>	<b>INNER SEAL WAVE SPRING - ZP2 45/60/64/130/134</b>	<b>2</b>
57	<b>P2GS101661</b>	<b>INNER SEAL (C) ZP2 45/60/64/130/134</b>	<b>2</b>
	<i>P2GS101660</i>	<i>INNER SEAL (K) - ZP2 45/60/64/130/134</i>	2
	<i>P2GS101659</i>	<i>INNER SEAL (N) - ZP2 45/60/64/130/134</i>	2
58	<b>N70133</b>	<b>O-RING, SHAFT (BUNA) - ZP2 45/60/64/130/134</b>	<b>2</b>
	<i>E70133</i>	<i>O-RING, SHAFT (EPDM) - ZP2 45/60/64/130/134</i>	2
	<i>V70133</i>	<i>O-RING, SHAFT (VITON) - ZP2 45/60/64/130/134</i>	2
59	<b>P2GS101674</b>	<b>SEAL SEAT (C) ZP2 45/60/64/130/134</b>	<b>2</b>
	<i>P2GS101673</i>	<i>SEAL SEAT (K) ZP2 45/60/64/130/134</i>	2
60	<b>P2GS101688</b>	<b>OUTER SEAL WAVE SPRING - ZP2 45/60/64/130/134</b>	<b>2</b>
61	<b>N70043</b>	<b>O-RING, OUTER SEAL (BUNA) - ZP2 45/60/64/130/134</b>	<b>2</b>
	<i>E70043</i>	<i>O-RING, OUTER SEAL (EPDM) - ZP2 45/60/64/130/134</i>	2
	<i>V70043</i>	<i>O-RING, OUTER SEAL (VITON) - ZP2 45/60/64/130/134</i>	2
62	<b>P2GS101681</b>	<b>OUTER SEAL (N) ZP2 45/60/64/130/134</b>	<b>2</b>
63	<b>N70224</b>	<b>O-RING, ROTOR HUB (BUNA) - ZP2 45/60/64/130/134</b>	<b>2</b>
	<i>E70224</i>	<i>O-RING, ROTOR HUB (EPDM) - ZP2 45/60/64/130/134</i>	2
	<i>V70224</i>	<i>O-RING, ROTOR HUB (VITON) - ZP2 45/60/64/130/134</i>	2



**Pressure Relief Cover**

*Optional Items Shown in ITALICS*

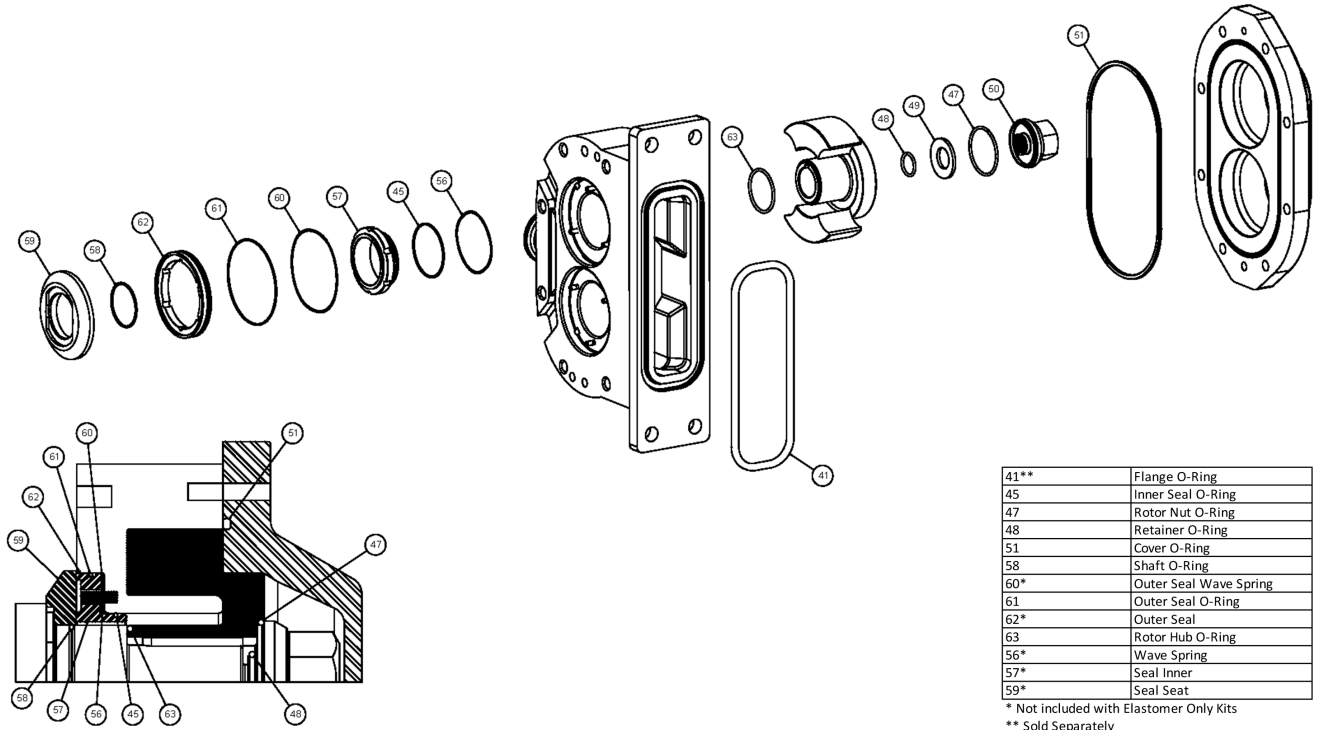
Ref #	Component Item No.	Description	Qty Per
64	P2CVR103671	VENTED FRONT COVER, ZP2 - 45/60/64/130/134	1
65	P1GXCD0078000	RUBBER DIAPHRAGM, BUNA, ZP1 & ZP2 & ZP3 - 60/64/130/134	1
	<i>P1GXCD0078E00</i>	<i>RUBBER DIAPHRAGM, EPDM, ZP1 &amp; ZP2 &amp; ZP3 - 60/64/130/134</i>	1
	<i>P1GXCD0078V00</i>	<i>RUBBER DIAPHRAGM, VITON, ZP1 &amp; ZP2 &amp; ZP3 - 60/64/130/134</i>	1
66	P1SXCD0077000	DIAPHRAGM BUSHING, ZP1 & ZP2 & ZP3 - 60/64/130/134	1
67	P1SX113397	SPRING PLUNGER, ZP1 & ZP2 & ZP3 - 60/64/130/134	1
68	P1SX113523	SPRING, MEDIUM, (LESS THAN 150 PSI), ZP1 & ZP2 & ZP3 - 60/64/130/134	1
	<i>P1SX113400</i>	<i>SPRING, HIGH, (MORE THAN 150 PSI), ZP1 &amp; ZP2 &amp; ZP3 - 60/64/130/134</i>	1
69	P1SX113398	COVER NUT, ZP1 & ZP2 & ZP3 - 60/64/130/134	1
70	P1SXGD0074000	LOCKNUT, ZP1 & ZP2 & ZP3 - 60/64/130/134/180/184/220/224	1
71	P1SX113657	ADJUSTING SCREW, ZP1 & ZP2 & ZP3 - 60/64/130/134/180/184/220/224	1



**Single Mechanical Seal Kit**

*Optional Items Shown in ITALICS*

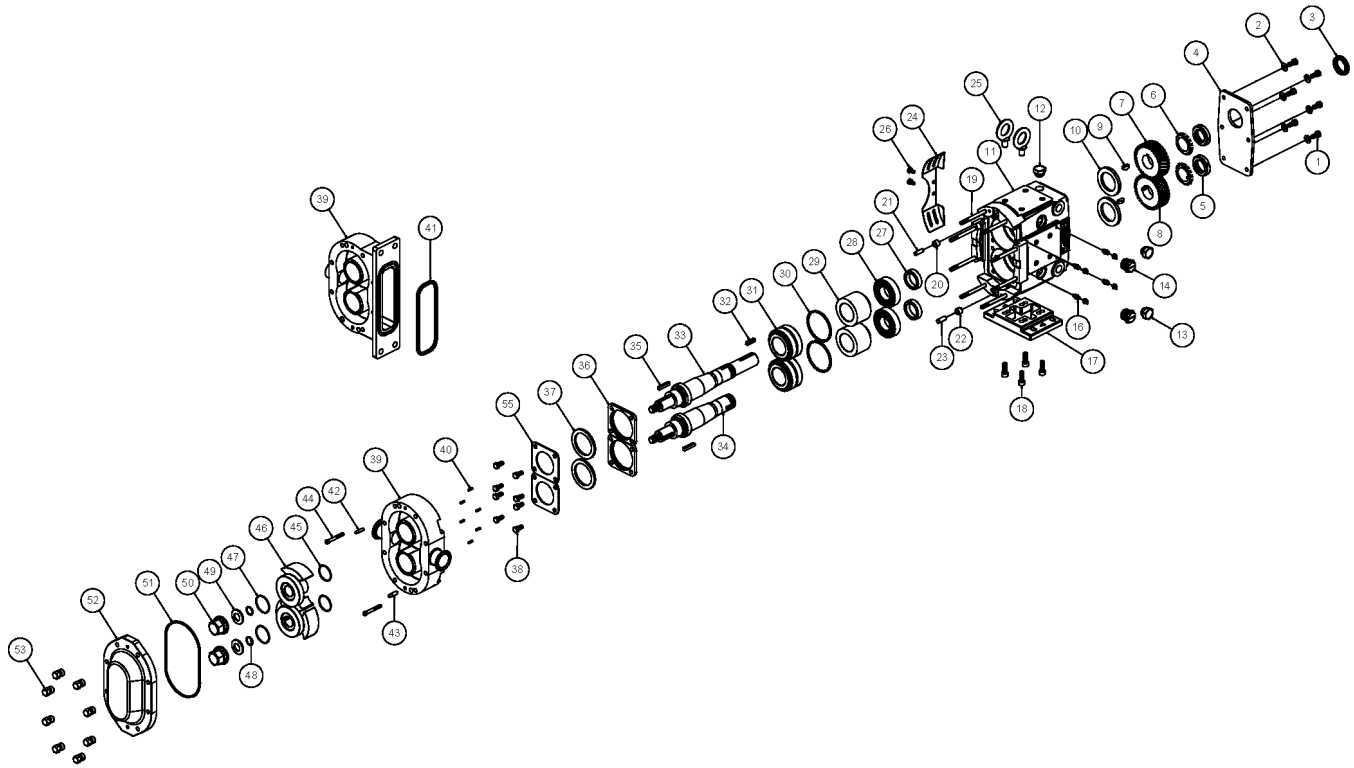
Ref #	Component Item No.	Description	Qty Per
1	<b>P2GX060000-N</b>	<b>SEAL KIT, SGL MECH, ELASTOMERS ONLY, BUNA - ZP2 45/60/64/130/134</b>	<b>1</b>
	<i>P2GX060000-E</i>	<i>SEAL KIT, SGL MECH, ELASTOMERS ONLY, EPDM - ZP2 45/60/64/130/134</i>	<i>1</i>
	<i>P2GX060000-V</i>	<i>SEAL KIT, SGL MECH, ELASTOMERS ONLY, VITON - ZP2 45/60/64/130/134</i>	<i>1</i>
2	<b>P2GS060000-N</b>	<b>SEAL KIT, SGL MECH, SC/CA, BUNA - ZP2 45/60/64/130/134</b>	<b>1</b>
	<i>P2GS060000-E</i>	<i>SEAL KIT, SGL MECH, SC/CA, EPDM - ZP2 45/60/64/130/134</i>	<i>1</i>
	<i>P2GS060000-V</i>	<i>SEAL KIT, SGL MECH, SC/CA, VITON - ZP2 45/60/64/130/134</i>	<i>1</i>
3	<b>P2GS060020-N</b>	<b>SEAL KIT, SGL MECH, CE/CA, BUNA - ZP2 45/60/64/130/134</b>	<b>1</b>
	<i>P2GS060020-E</i>	<i>SEAL KIT, SGL MECH, CE/CA, EPDM - ZP2 45/60/64/130/134</i>	<i>1</i>
	<i>P2GS060020-V</i>	<i>SEAL KIT, SGL MECH, CE/CA, VITON - ZP2 45/60/64/130/134</i>	<i>1</i>
4	<i>P2GS060030-V</i>	<i>SEAL KIT, SGL MECH, CE/CE, VITON - ZP2 45/60/64/130/134</i>	<i>1</i>
5	<b>P2GS060010-N</b>	<b>SEAL KIT, SGL MECH, SC/SC, BUNA - ZP2 45/60/64/130/134</b>	<b>1</b>
	<i>P2GS060010-E</i>	<i>SEAL KIT, SGL MECH, SC/SC, EPDM - ZP2 45/60/64/130/134</i>	<i>1</i>
	<i>P2GS060010-V</i>	<i>SEAL KIT, SGL MECH, SC/SC, VITON - ZP2 45/60/64/130/134</i>	<i>1</i>
49	<b>P2GX101693</b>	<b>BELLEVILLE WASHER, SS - ZP2 45/60/64/130/134</b>	<b>2</b>
50	<b>P2SX101806</b>	<b>ROTOR NUT - ZP2 45/60/64/130/134</b>	<b>2</b>



**Double Mechanical Seal Kit**

*Optional Items Shown in ITALICS*

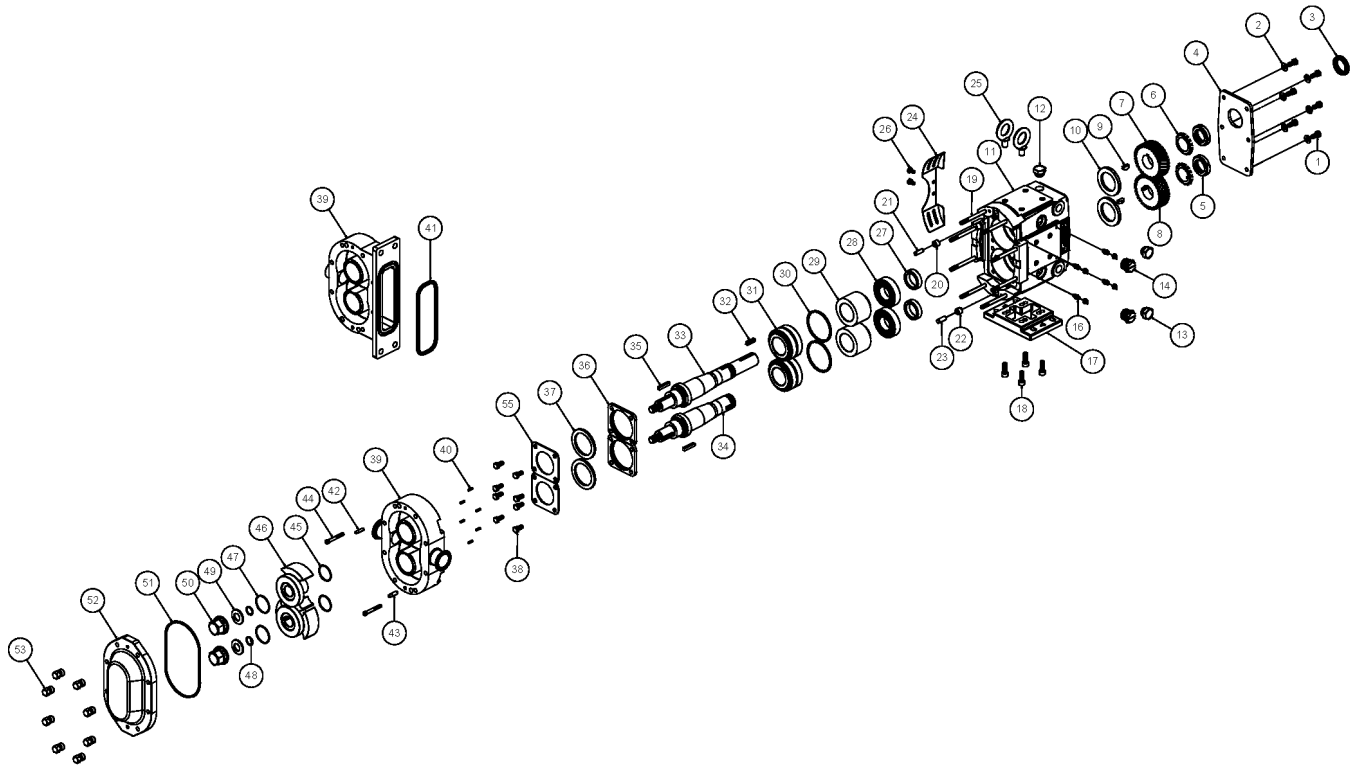
Ref #	Component Item No.	Description	Qty Per
1	<b>P2GX060200-N</b>	<b>SEAL KIT, DBL MECH, ELASTOMERS ONLY, BUNA - ZP2 45/60/64/130/134</b>	<b>1</b>
	<i>P2GX060200-E</i>	<i>SEAL KIT, DBL MECH, ELASTOMERS ONLY, EPDM - ZP2 45/60/64/130/134</i>	<i>1</i>
	<i>P2GX060200-V</i>	<i>SEAL KIT, DBL MECH, ELASTOMERS ONLY, VITON - ZP2 45/60/64/130/134</i>	<i>1</i>
2	<b>P2GS060200-N</b>	<b>SEAL KIT, DBL MECH, SC/CA/CA, BUNA - ZP2 45/60/64/130/134</b>	<b>1</b>
	<i>P2GS060200-E</i>	<i>SEAL KIT, DBL MECH, SC/CA/CA, EPDM - ZP2 45/60/64/130/134</i>	<i>1</i>
	<i>P2GS060200-V</i>	<i>SEAL KIT, DBL MECH, SC/CA/CA, VITON - ZP2 45/60/64/130/134</i>	<i>1</i>
3	<b>P2GS060220-N</b>	<b>SEAL KIT, DBL MECH, CE/CA/CA, BUNA - ZP2 45/60/64/130/134</b>	<b>1</b>
	<i>P2GS060220-E</i>	<i>SEAL KIT, DBL MECH, CE/CA/CA, EPDM - ZP2 45/60/64/130/134</i>	<i>1</i>
	<i>P2GS060220-V</i>	<i>SEAL KIT, DBL MECH, CE/CA/CA, VITON - ZP2 45/60/64/130/134</i>	<i>1</i>
4	<b>P2GS060230-N</b>	<b>SEAL KIT, DBL MECH, CE/CE/CA, BUNA - ZP2 45/60/64/130/134</b>	<b>1</b>
5	<b>P2GS060210-N</b>	<b>SEAL KIT, DBL MECH, SC/SC/CA, BUNA - ZP2 45/60/64/130/134</b>	<b>1</b>
	<i>P2GS060210-E</i>	<i>SEAL KIT, DBL MECH, SC/SC/CA, EPDM - ZP2 45/60/64/130/134</i>	<i>1</i>
	<i>P2GS060210-V</i>	<i>SEAL KIT, DBL MECH, SC/SC/CA, VITON - ZP2 45/60/64/130/134</i>	<i>1</i>
49	<b>P2GX101693</b>	<b>BELLEVILLE WASHER, SS - ZP2 45/60/64/130/134</b>	<b>2</b>
50	<b>P2SX101806</b>	<b>ROTOR NUT - ZP2 45/60/64/130/134</b>	<b>2</b>



**Exploded View**

*Optional Items Shown in ITALICS*

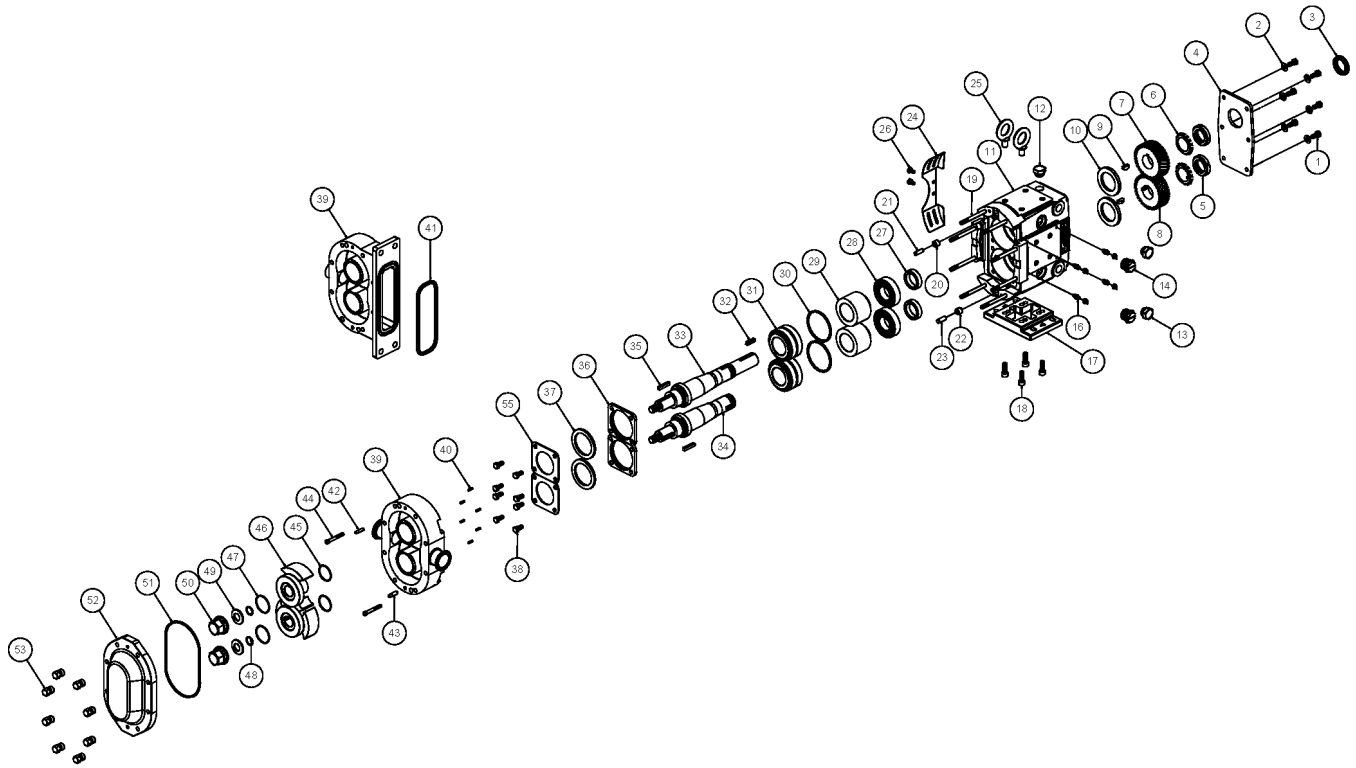
Ref #	Component Item No.	Description	Qty Per
1	P1GX30-50	GEAR CASE COVER BOLT - 3/8-16 X 3/4 HHCS (18-8 SS)	6
2	P1GX43-189	GEAR CASE COVER WASHER - 3/8 FLAT WASHER (18-8 SS)	6
3	P1GXSTD030006	OIL SEAL, GEAR CASE COVER - ZP1 & ZP2 220/223/224	1
4	P1SX230106000	GEAR CASE COVER, SS - ZP1 & ZP2 180/220/224	1
5	P1GXSTD236011	GEAR LOCKNUT ZP1 & ZP2 220/223/224	2
6	P1GXSTD136011	GEAR LOCKWASHER ZP1 & ZP2 220/223/224	2
7	P1GX220007001	GEAR DRIVE SHAFT ZP1 & ZP2 180/220/224	1
8	P1GX220007002	GEAR SHORT SHAFT ZP1 & ZP2 180/220/224	1
9	P1GX200037000	GEAR KEY - ZP1 & ZP2 180/220/224	2
10	P1GXSTD119002	OIL SEAL REAR - ZP1 & ZP2 220/223/224	2
11	P1SX230005000	GEAR CASE, SS - ZP1 & ZP2 180/220/224	1
12	P1GX115798	PLUG,HEX,20M X1.5,W/NBR SEAL	5
13	P1GX115799	GAUGE,OIL,LVL,INDIC,M-20X1.5	1
14	P1GX70PLUG-SS	CLEAN OUT PLUG, SS - ZP1 & ZP2 45/60/64/130/134	4
	<i>P1GX70PLUG</i>	<i>CLEAN OUT PLUG, YELLOW - ZP1 &amp; ZP2 45/60/64/130/134</i>	4
16	P1GXBD0092001	GREASE FITTING, THREADED 1/4"-28 TAPER, SS	8
17	P1SX230110000	GEAR CASE BASE, SS - ZP1 & ZP2 180/220/224	1
18	P1GX30-44	SHCS, G. CASE BASE, (18-8 SS) 1/2-13 X 2" ZP1 & ZP2 220/223	4
19	P1GX107243	STUD, ZP2 180	8
20	P1GXCD0116000	UPPER DOWEL BUSHING - ZP1 & ZP2 45/60/64/130/134/180/220/224	1
21	P1GX124584	DOWEL PIN - ZP1 & ZP2 45/60/64/130/134	1
22	P1GXCD0116100	LOWER DOWEL BUSHING - ZP1 & ZP2 45/60/64/130/134/180/220/224	1
23	P1GX124586	DOWEL PIN - ZP1 & ZP2 45/60/64/130/134	1
24	P1SX230CEGUARD	GUARD,180-224,(CE),GC,SS	2
25	P1GXEYEBOLT-SS	EYE BOLT,60-224,SS	2
26	P1GX000CENAIL	DRIVENAIL,ZP,GEAR CASE GUARDS	4
27	P1GX40878	GEAR TO REAR BEARING SPACER - ZP1 & ZP2 180/184/220/223/224	2



**Exploded View**

*Optional Items Shown in ITALICS*

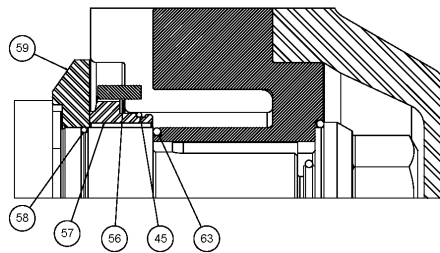
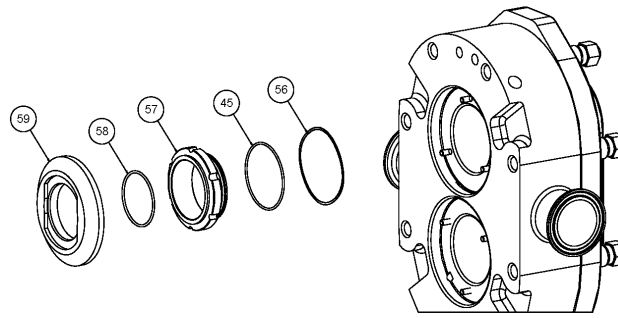
Ref #	Component Item No.	Description	Qty Per
28	P1GX200035000	REAR BEARING - ZP1 & ZP2 220/223/224	2
29	P1GX40752	BEARING SPACER - ZP1 & ZP2 180/184/220/223/224	2
30	P1GX117892	SHIM KIT - ZP1 & ZP2 180/220/224	2
31	P1GX200036000	FRONT BEARING - ZP1 & ZP2 220/223/224	2
32	P1GX000037004	DRIVE KEY, 1/2" SQ. X 1" - ZP1 & ZP2 180/184/220/224	1
33	P2SX110023	DRIVE SHAFT (17-4PH) - ZP2 180/184	1
34	P2SX110024	SHORT SHAFT (17-4PH) - ZP2 180/184	1
35	P2SX101828	ROTOR KEY - ZP2 180/184	2
37	P1GXSTD030002	GREASE SEAL FRONT BEARING RET. - ZP1 & ZP2 220/223/224	2
39	P2BDY180001000	BODY - ZP2 180	1
	<i>P2BDY180001F00</i>	<i>BODY - ZP2 180 - FLUSHED</i>	1
40	P2GX101720	STOP PIN, SEAL	6
42	P1GX124584	DOWEL PIN - ZP1 & ZP2 45/60/64/130/134	1
43	P1GX124586	DOWEL PIN - ZP1 & ZP2 45/60/64/130/134	1
44	P1GX130RETSCREW	BODY RETAINING SCREW, 3/8-16 X 4, 18-8SS - ZP2 180/184	2
45	N70041	O-RING, INNER SEAL (BUNA) - ZP2 180/184/220/224	2
	<i>E70041</i>	<i>O-RING, INNER SEAL (EPDM) - ZP2 180/184/220/224</i>	2
	<i>V70041</i>	<i>O-RING, INNER SEAL (VITON) - ZP2 180/184/220/224</i>	2
46	P2RTB180010000	ROTOR TWIN BLADE - ALLOY 88 - ZP2 180	2
	<i>P2RTB18001000H</i>	<i>ROTOR TWIN BLADE - ALLOY 88 - ZP2 180 - HOT CLEARANCE</i>	2
	<i>P2RTB180010200</i>	<i>ROTOR TWIN BLADE - 316L - ZP2 180</i>	2
	<i>P2RSW180010000</i>	<i>ROTOR SINGLE WING - ALLOY 88 - ZP2 180</i>	2
47	N70235	O-RING, ROTOR NUT (BUNA) - ZP2 180/184/220/224	2
	<i>E70235</i>	<i>O-RING, ROTOR NUT (EPDM) - ZP2 180/184/220/224</i>	2
	<i>V70235</i>	<i>O-RING, ROTOR NUT (VITON) - ZP2 180/184/220/224</i>	2
48	N70122	O-RING, RETAINER (BUNA) - ZP2 180/220/224	2



**Exploded View**

*Optional Items Shown in ITALICS*

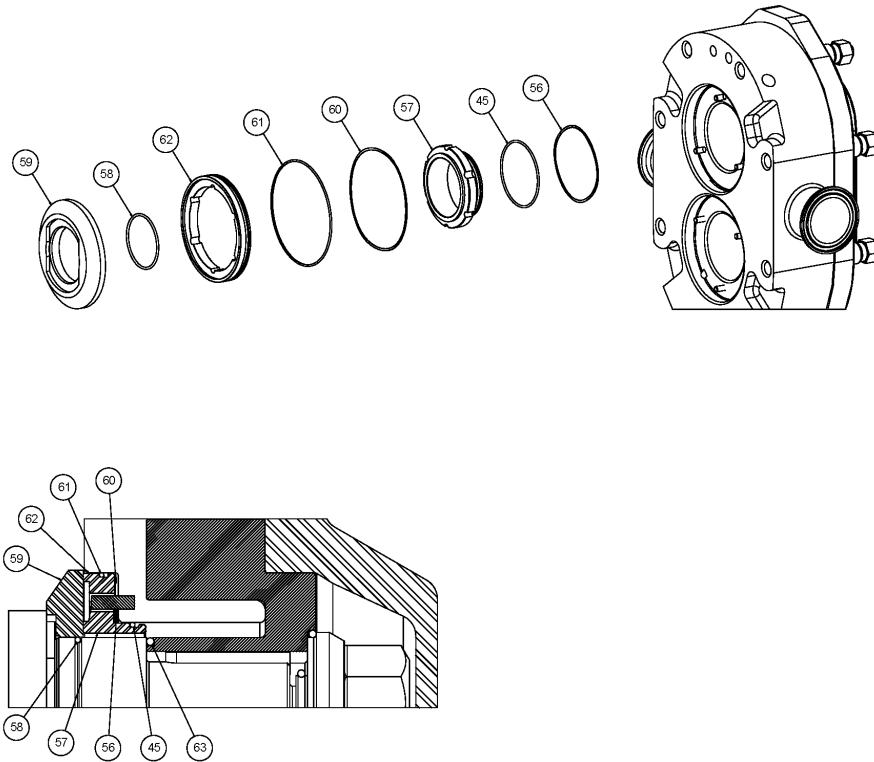
Ref #	Component Item No.	Description	Qty Per
48	<i>E70122</i>	<i>O-RING, RETAINER (EPDM) - ZP2 180/220/224</i>	2
	<i>V70122</i>	<i>O-RING, RETAINER (VITON) - ZP2 180/220/224</i>	2
49	<b>P2GX101694</b>	<b>BELLEVILLE WASHER, SS - ZP2 180/220/224</b>	2
50	<b>P2SX101807</b>	<b>ROTOR NUT - ZP2 180/220/224</b>	2
51	<b>N70381</b>	<b>O-RING, COVER (BUNA) - ZP2 180/184/220/224</b>	1
	<i>E70381</i>	<i>O-RING, COVER (EPDM) - ZP2 180/184/220/224</i>	1
	<i>V70381</i>	<i>O-RING, COVER (VITON) - ZP2 180/184/220/224</i>	1
52	<b>P2CVR101851</b>	<b>COVER - ZP2 180/184/220/224</b>	1
	<i>P2CVR107670</i>	<i>COVER, JACKETED - ZP2 180/184/220/224</i>	1
53	<b>P1SX108372</b>	<b>COVER HEX NUT - ZP1 &amp; ZP2 180/220/224</b>	8
	<i>P1GX105853</i>	<i>WING NUT - ZP1 &amp; ZP2 180/220/224</i>	8
55	<b>P1SX230SPATE</b>	<b>BEARING RETAINER SPLASH PLATE - ZP1 &amp; ZP2 180/220/224</b>	2



**Single Mechanical Seal**

*Optional Items Shown in ITALICS*

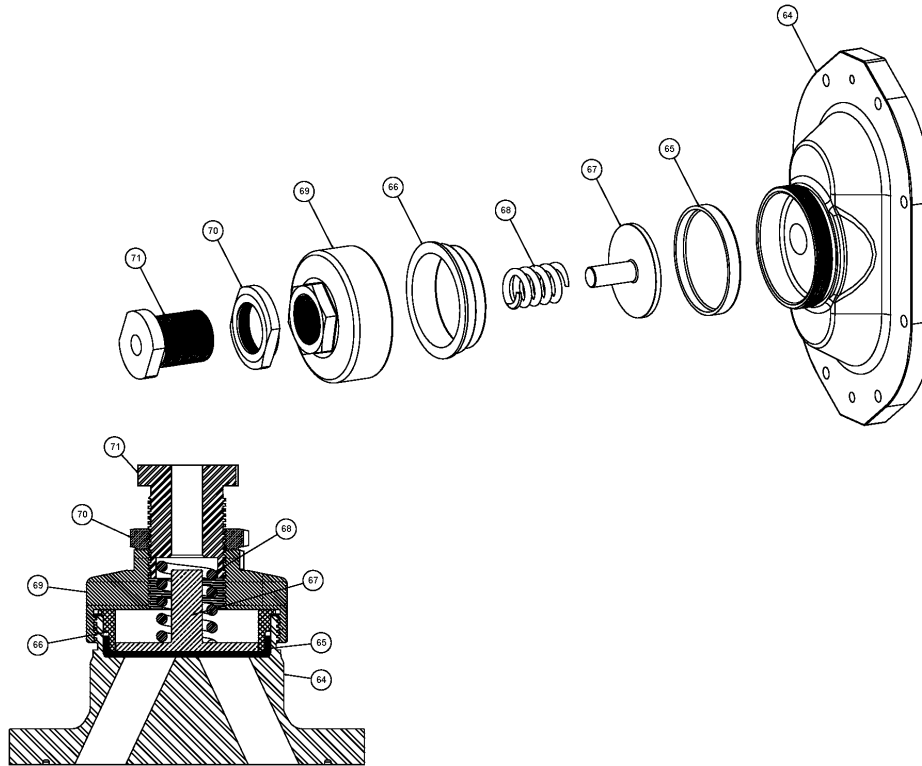
Ref #	Component Item No.	Description	Qty Per
45	<b>N70041</b>	<b>O-RING, INNER SEAL (BUNA) - ZP2 180/184/220/224</b>	<b>2</b>
	<i>E70041</i>	<i>O-RING, INNER SEAL (EPDM) - ZP2 180/184/220/224</i>	2
	<i>V70041</i>	<i>O-RING, INNER SEAL (VITON) - ZP2 180/184/220/224</i>	2
56	<b>P2GS101689</b>	<b>INNER SEAL WAVE SPRING - ZP2 180/184/220/224</b>	<b>2</b>
57	<b>P2GS101665</b>	<b>INNER SEAL (C) ZP2 180/184/220/224</b>	<b>2</b>
	<i>P2GS101664</i>	<i>INNER SEAL (K) - ZP2 180/184/220/224</i>	2
	<i>P2GS101663</i>	<i>INNER SEAL (N) - ZP2 180/184/220/224</i>	2
58	<b>N70145</b>	<b>O-RING, SHAFT (BUNA) - ZP2 180/184/220/224</b>	<b>2</b>
	<i>E70145</i>	<i>O-RING, SHAFT (EPDM) - ZP2 180/184/220/224</i>	2
	<i>V70145</i>	<i>O-RING, SHAFT (VITON) - ZP2 180/184/220/224</i>	2
59	<b>P2GS101677</b>	<b>SEAL SEAT (C) ZP2 180/184/220/224</b>	<b>2</b>
	<i>P2GS101676</i>	<i>SEAL SEAT (K) ZP2 180/184/220/224</i>	2
63	<b>N70230</b>	<b>O-RING, ROTOR HUB (BUNA) - ZP2 180/184/220/224</b>	<b>2</b>
	<i>E70230</i>	<i>O-RING, ROTOR HUB (EPDM) - ZP2 180/184/220/224</i>	2
	<i>V70230</i>	<i>O-RING, ROTOR HUB (VITON) - ZP2 180/184/220/224</i>	2



**Double Mechanical Seal**

*Optional Items Shown in ITALICS*

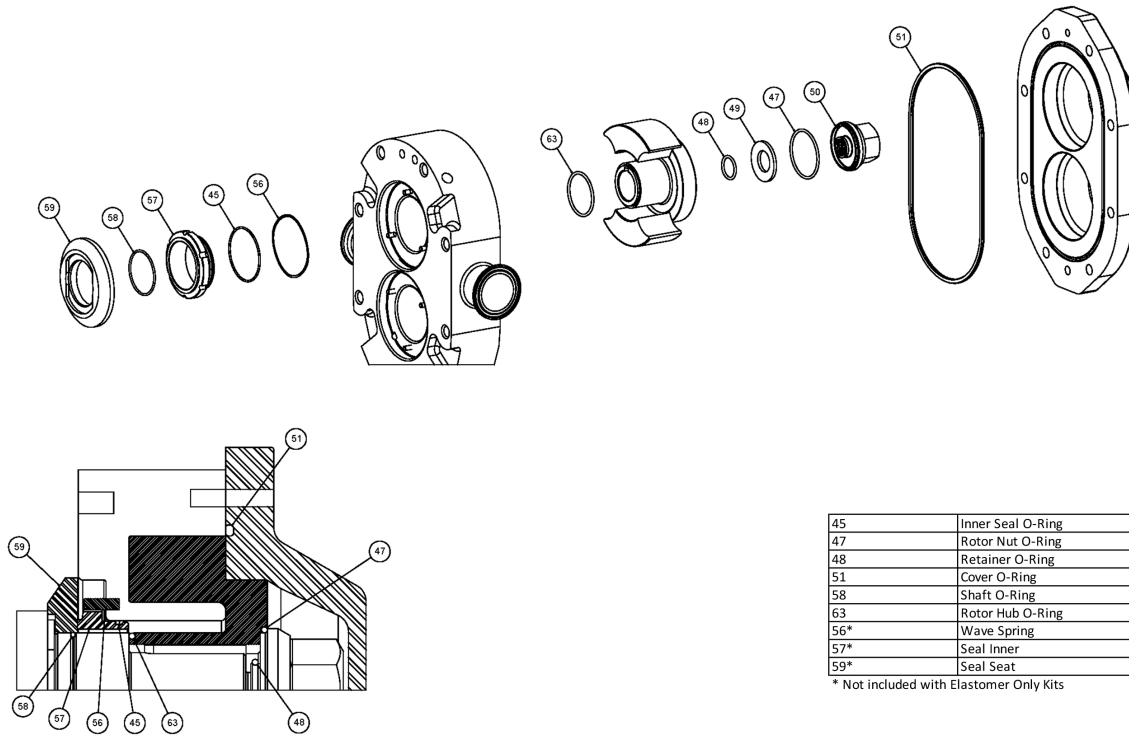
Ref #	Component Item No.	Description	Qty Per
45	<b>N70041</b>	<b>O-RING, INNER SEAL (BUNA) - ZP2 180/184/220/224</b>	<b>2</b>
	<i>E70041</i>	<i>O-RING, INNER SEAL (EPDM) - ZP2 180/184/220/224</i>	2
	<i>V70041</i>	<i>O-RING, INNER SEAL (VITON) - ZP2 180/184/220/224</i>	2
56	<b>P2GS101689</b>	<b>INNER SEAL WAVE SPRING - ZP2 180/184/220/224</b>	<b>2</b>
57	<b>P2GS101665</b>	<b>INNER SEAL (C) ZP2 180/184/220/224</b>	<b>2</b>
	<i>P2GS101664</i>	<i>INNER SEAL (K) - ZP2 180/184/220/224</i>	2
	<i>P2GS101663</i>	<i>INNER SEAL (N) - ZP2 180/184/220/224</i>	2
58	<b>N70145</b>	<b>O-RING, SHAFT (BUNA) - ZP2 180/184/220/224</b>	<b>2</b>
	<i>E70145</i>	<i>O-RING, SHAFT (EPDM) - ZP2 180/184/220/224</i>	2
	<i>V70145</i>	<i>O-RING, SHAFT (VITON) - ZP2 180/184/220/224</i>	2
59	<b>P2GS101677</b>	<b>SEAL SEAT (C) ZP2 180/184/220/224</b>	<b>2</b>
	<i>P2GS101676</i>	<i>SEAL SEAT (K) ZP2 180/184/220/224</i>	2
60	<b>P2GS101690</b>	<b>OUTER SEAL WAVE SPRING - ZP2 220/224</b>	<b>2</b>
61	<b>N70046</b>	<b>O-RING, OUTER SEAL (BUNA) - ZP2 180/184/220/224</b>	<b>2</b>
	<i>E70046</i>	<i>O-RING, OUTER SEAL (EPDM) - ZP2 180/184/220/224</i>	2
	<i>V70046</i>	<i>O-RING, OUTER SEAL (VITON) - ZP2 180/184/220/224</i>	2
62	<b>P2GS101682</b>	<b>OUTER SEAL (N) ZP2 180/220/224</b>	<b>2</b>
63	<b>N70230</b>	<b>O-RING, ROTOR HUB (BUNA) - ZP2 180/184/220/224</b>	<b>2</b>
	<i>E70230</i>	<i>O-RING, ROTOR HUB (EPDM) - ZP2 180/184/220/224</i>	2
	<i>V70230</i>	<i>O-RING, ROTOR HUB (VITON) - ZP2 180/184/220/224</i>	2



**Pressure Relief Cover**

*Optional Items Shown in ITALICS*

Ref #	Component Item No.	Description	Qty Per
64	P2CVR103672	VENTED FRONT COVER, ZP2 - 180/184/220/224	1
65	P1GXGD0078000	RUBBER DIAPHRAGM, BUNA, ZP1 & ZP2 & ZP3 - 180/184/220/224	1
	<i>P1GXGD0078V00</i>	<i>RUBBER DIAPHRAGM, VITON, ZP1 &amp; ZP2 &amp; ZP3 - 180/184/220/224</i>	1
66	P1SXGD0077000	DIAPHRAGM BUSHING, ZP1 & ZP2 & ZP3 - 180/184/220/224	1
67	P1SXGD0073000	SPRING PLUNGER, ZP1 & ZP2 & ZP3 - 180/184/220/224	1
68	P1SX113400	SPRING, MEDIUM, (LESS THAN 150 PSI), ZP1 & ZP2 & ZP3 - 180/184/220/224	1
	<i>P1SX113524</i>	<i>SPRING, HIGH, (MORE THAN 150 PSI), ZP1 &amp; ZP2 &amp; ZP3 - 180/184/220/224</i>	1
69	P1SXGD0075000	COVER NUT, ZP1 & ZP2 & ZP3 - 180/184/220/224	1
70	P1SXGD0074000	LOCKNUT, ZP1 & ZP2 & ZP3 - 60/64/130/134/180/184/220/224	1
71	P1SX113657	ADJUSTING SCREW, ZP1 & ZP2 & ZP3 - 60/64/130/134/180/184/220/224	1



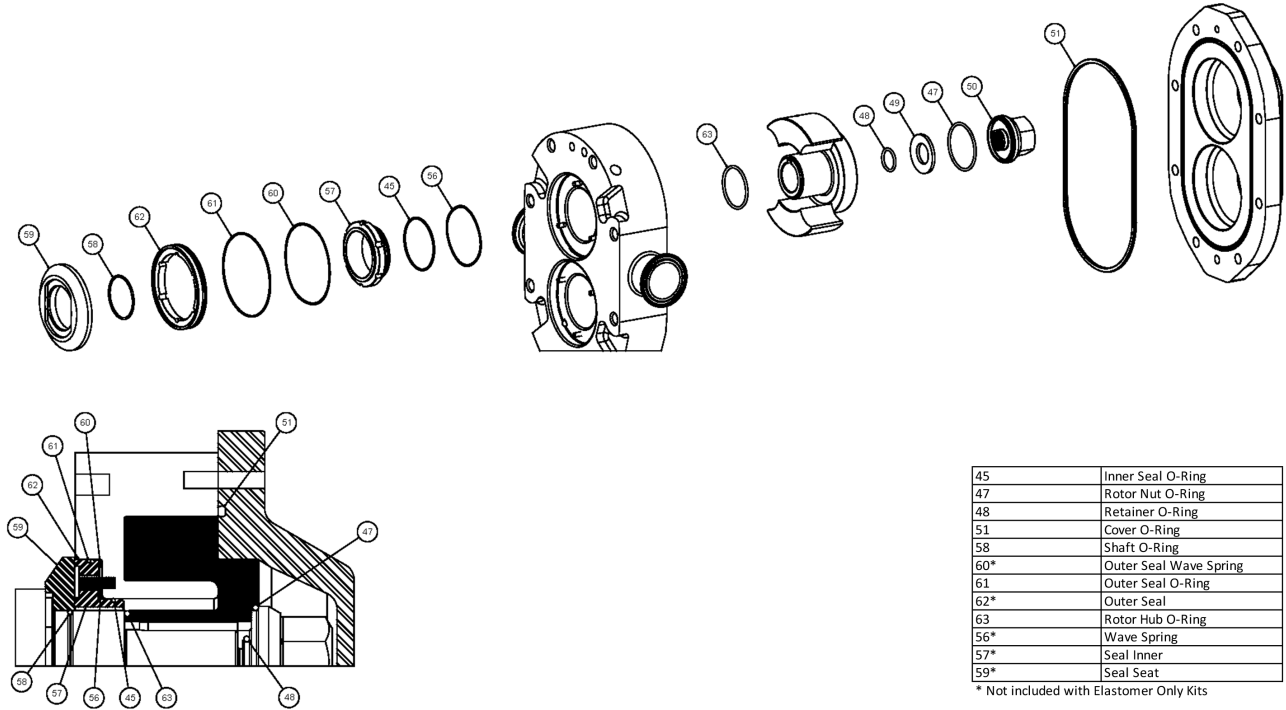
45	Inner Seal O-Ring
47	Rotor Nut O-Ring
48	Retainer O-Ring
51	Cover O-Ring
58	Shaft O-Ring
63	Rotor Hub O-Ring
56*	Wave Spring
57*	Seal Inner
59*	Seal Seat

\* Not included with Elastomer Only Kits

**Single Mechanical Seal Kit**

*Optional Items Shown in ITALICS*

Ref #	Component Item No.	Description	Qty Per
1	<b>P2GX220000-N</b>	<b>SEAL KIT, SGL MECH, ELASTOMERS ONLY, BUNA - ZP2 180/184/220/224</b>	<b>1</b>
	<i>P2GX220000-E</i>	<i>SEAL KIT, SGL MECH, ELASTOMERS ONLY, EPDM - ZP2 180/184/220/224</i>	<i>1</i>
	<i>P2GX220000-V</i>	<i>SEAL KIT, SGL MECH, ELASTOMERS ONLY, VITON - ZP2 180/184/220/224</i>	<i>1</i>
2	<b>P2GS220000-N</b>	<b>SEAL KIT, SGL MECH, SC/CA, BUNA - ZP2 180/184/220/224</b>	<b>1</b>
	<i>P2GS220000-E</i>	<i>SEAL KIT, SGL MECH, SC/CA, EPDM - ZP2 180/184/220/224</i>	<i>1</i>
	<i>P2GS220000-V</i>	<i>SEAL KIT, SGL MECH, SC/CA, VITON - ZP2 180/184/220/224</i>	<i>1</i>
3	<b>P2GS220020-N</b>	<b>SEAL KIT, SGL MECH, CE/CA, BUNA - ZP2 180/184/220/224</b>	<b>1</b>
	<i>P2GS220020-E</i>	<i>SEAL KIT, SGL MECH, CE/CA, EPDM - ZP2 180/184/220/224</i>	<i>1</i>
	<i>P2GS220020-V</i>	<i>SEAL KIT, SGL MECH, CE/CA, VITON - ZP2 180/184/220/224</i>	<i>1</i>
5	<b>P2GS220010-N</b>	<b>SEAL KIT, SGL MECH, SC/SC, BUNA - ZP2 180/184/220/224</b>	<b>1</b>
	<i>P2GS220010-E</i>	<i>SEAL KIT, SGL MECH, SC/SC, EPDM - ZP2 180/184/220/224</i>	<i>1</i>
	<i>P2GS220010-V</i>	<i>SEAL KIT, SGL MECH, SC/SC, VITON - ZP2 180/184/220/224</i>	<i>1</i>
49	<b>P2GX101694</b>	<b>BELLEVILLE WASHER, SS - ZP2 180/220/224</b>	<b>2</b>
50	<b>P2SX101807</b>	<b>ROTOR NUT - ZP2 180/220/224</b>	<b>2</b>



45	Inner Seal O-Ring
47	Rotor Nut O-Ring
48	Retainer O-Ring
51	Cover O-Ring
58	Shaft O-Ring
60*	Outer Seal Wave Spring
61	Outer Seal O-Ring
62*	Outer Seal
63	Rotor Hub O-Ring
56*	Wave Spring
57*	Seal Inner
59*	Seal Seat

\* Not included with Elastomer Only Kits

**Double Mechanical Seal Kit**

*Optional Items Shown in ITALICS*

Ref #	Component Item No.	Description	Qty Per
1	<b>P2GX220200-N</b>	<b>SEAL KIT, DBL MECH, ELASTOMERS ONLY, BUNA - ZP2 180/184/220/224</b>	<b>1</b>
	<i>P2GX220200-E</i>	<i>SEAL KIT, DBL MECH, ELASTOMERS ONLY, EPDM - ZP2 180/184/220/224</i>	<i>1</i>
	<i>P2GX220200-V</i>	<i>SEAL KIT, DBL MECH, ELASTOMERS ONLY, VITON - ZP2 180/184/220/224</i>	<i>1</i>
2	<b>P2GS220200-N</b>	<b>SEAL KIT, DBL MECH, SC/CA/CA, BUNA - ZP2 180/184/220/224</b>	<b>1</b>
	<i>P2GS220200-E</i>	<i>SEAL KIT, DBL MECH, SC/CA/CA, EPDM - ZP2 180/184/220/224</i>	<i>1</i>
	<i>P2GS220200-V</i>	<i>SEAL KIT, DBL MECH, SC/CA/CA, VITON - ZP2 180/184/220/224</i>	<i>1</i>
3	<b>P2GS220220-N</b>	<b>SEAL KIT, DBL MECH, CE/CA/CA, BUNA - ZP2 180/184/220/224</b>	<b>1</b>
	<i>P2GS220220-E</i>	<i>SEAL KIT, DBL MECH, CE/CA/CA, EPDM - ZP2 180/184/220/224</i>	<i>1</i>
	<i>P2GS220220-V</i>	<i>SEAL KIT, DBL MECH, CE/CA/CA, VITON - ZP2 180/184/220/224</i>	<i>1</i>
4	<i>P2GS220230-E</i>	<i>SEAL KIT, DBL MECH, CE/CE/CA, EPDM - ZP2 180/184/220/224</i>	<i>1</i>
5	<b>P2GS220210-N</b>	<b>SEAL KIT, DBL MECH, SC/SC/CA, BUNA - ZP2 180/184/220/224</b>	<b>1</b>
	<i>P2GS220210-E</i>	<i>SEAL KIT, DBL MECH, SC/SC/CA, EPDM - ZP2 180/184/220/224</i>	<i>1</i>
	<i>P2GS220210-V</i>	<i>SEAL KIT, DBL MECH, SC/SC/CA, VITON - ZP2 180/184/220/224</i>	<i>1</i>
49	<b>P2GX101694</b>	<b>BELLEVILLE WASHER, SS - ZP2 180/220/224</b>	<b>2</b>
50	<b>P2SX101807</b>	<b>ROTOR NUT - ZP2 180/220/224</b>	<b>2</b>



**Exploded View**

*Optional Items Shown in ITALICS*

Ref #	Component Item No.	Description	Qty Per
1	P1GX30-50	GEAR CASE COVER BOLT - 3/8-16 X 3/4 HHCS (18-8 SS)	6
2	P1GX43-189	GEAR CASE COVER WASHER - 3/8 FLAT WASHER (18-8 SS)	6
3	P1GXSTD030004	OIL SEAL, GEAR CASE COVER -ZP2 210/214/320/324	1
4	P1SX40669	GEAR CASE COVER, SS - ZP2 210/214/320/324	1
5	P1GXOH1236000	GEAR LOCKNUT - ZP2 210/214/320/324	2
6	P1GXOH1136000	GEAR LOCKWASHER - ZP2 210/214/320/324	2
7	P1GX320007001	GEAR DRIVE SHAFT - ZP2 210/214/320/324	1
8	P1GX320007002	GEAR SHORT SHAFT - ZP2 210/214/320/324	1
9	P1GXOH1037000	GEAR KEY - ZP2 210/214/320/324	2
10	P1GX102475	OIL SEAL REAR - ZP2 210/214/320/324	2
11	P2SX105478	GEAR CASE, SS - ZP2 & ZP3 210/214/320/324	1
12	P1GX115798	PLUG,HEX,20M X1.5,W/NBR SEAL	5
13	P1GX115799	GAUGE,OIL,LVL,INDIC,M-20X1.5	1
14	P1GX70PLUG-SS	CLEAN OUT PLUG, SS - ZP1 & ZP2 45/60/64/130/134	4
	<i>P1GX70PLUG</i>	<i>CLEAN OUT PLUG, YELLOW - ZP1 &amp; ZP2 45/60/64/130/134</i>	4
16	P1GXBD0092001	GREASE FITTING, THREADED 1/4"-28 TAPER, SS	8
17	P1SX40288	GEAR CASE BASE, SS - ZP2 210/214/320/324	1
18	P1GX30-250	SHCS, G. CASE BASE, (18-8 SS) 1/2-13 X 1.75" ZP2 210/214/320/324	4
19	P1GX112191	STUD, LONG, ZP2 210/214	4
	P1GX111292	STUD, SHORT, ZP2 210/214	4
20	P1GXOH1116000	DOWEL BUSHING - ZP2 210/214/320/324	2
21	P1GX105871	DOWEL PIN, GEAR BOX SIDE - ZP2 210/214/320/324	2
22	P1GXOH1116000	DOWEL BUSHING - ZP2 210/214/320/324	2
23	P1GX105871	DOWEL PIN, GEAR BOX SIDE - ZP2 210/214/320/324	2
24	P2SX320CEGUARD	GUARD,210/214/320/324,(CE),GC,SS	2
25	P1GXEYEBOLT-SS	EYE BOLT,60-224,SS	3
26	P1GX000CENAIL	DRIVENAIL,ZP,GEAR CASE GUARDS	4



**Exploded View**

*Optional Items Shown in ITALICS*

Ref #	Component Item No.	Description	Qty Per
27	P1GX102474	GEAR TO REAR BEARING SPACER - ZP2 210/214/320/324	2
28	P1GXOH1036000	REAR BEARING - ZP2 210/214/320/324	2
29	P1GX102472	BEARING SPACER, THICK - ZP2 210/214/320/324	2
	P1GX102473	BEARING SPACER, THIN - ZP2 210/214/320/324	2
30	P1GX117893	SHIM KIT - ZP2 210/214/320/324	2
31	P1GXOH1036003	FRONT BEARING - ZP2 210/214/320/324	2
32	P1GX000037005	DRIVE KEY, 5/8" SQ. X 2" - ZP1 & ZP2 320/324	1
33	P2SX112186	DRIVE SHAFT (17-4PH) - ZP2 210/214	1
34	P2SX112187	SHORT SHAFT (17-4PH) - ZP2 210/214	1
35	P2SX105422	ROTOR KEY - ZP2 210/214	2
36	P1SXOH1080000	BEARING RETAINER - ZP2 210/214/320/324	2
37	P1GXSTD030002	GREASE SEAL FRONT BEARING RET. - ZP1 & ZP2 320/324	2
38	P1GX30-343	BEARING RETAINER BOLT - 5/16-18 X 1 SHCS (18-8 SS)	8
39	P2BDY210001000	BODY - ZP2 210	1
40	P2GX102438	STOP PIN, SEAL	6
42	P1GXOH1040000	DOWEL PIN, COVER SIDE - ZP2 210/214/320/324	2
43	P1GXOH1040000	DOWEL PIN, COVER SIDE - ZP2 210/214/320/324	2
44	P1GX30-326	BODY RETAINING SCREW, 3/8-16 X 3.5" 18-8 SS - ZP2 210/214	2
45	N70154	O-RING, INNER SEAL (BUNA) - ZP2 210/214/320/324	2
	<i>E70154</i>	<i>O-RING, INNER SEAL (EPDM) - ZP2 210/214/320/324</i>	2
	<i>V70154</i>	<i>O-RING, INNER SEAL (VITON) - ZP2 210/214/320/324</i>	2
46	P2RTB210010000	ROTOR TWIN BLADE - ALLOY 88 - ZP2 210/214	2
	<i>P2RTB21001000H</i>	<i>ROTOR TWIN BLADE - ALLOY 88 - ZP2 210/214</i>	2
47	N70237	O-RING, ROTOR NUT (BUNA) - ZP2 210/214/320/324	2
	<i>E70237</i>	<i>O-RING, ROTOR NUT (EPDM) - ZP2 210/214/320/324</i>	2
	<i>V70237</i>	<i>O-RING, ROTOR NUT (VITON) - ZP2 210/214/320/324</i>	2
48	N70125	O-RING, RETAINER (BUNA) - ZP2 210/214/320/324	2



**Exploded View**

*Optional Items Shown in ITALICS*

Ref #	Component Item No.	Description	Qty Per
48	<i>E70125</i>	<i>O-RING, RETAINER (EPDM) - ZP2 210/214/320/324</i>	2
	<i>V70125</i>	<i>O-RING, RETAINER (VITON) - ZP2 210/214/320/324</i>	2
49	<b>P2GX105411</b>	<b>BELLEVILLE WASHER, SS - ZP2 210/214/320/324</b>	2
50	<b>P2SX105409</b>	<b>ROTOR NUT - ZP2 210/214/320/324</b>	2
51	<b>N70382</b>	<b>O-RING, COVER (BUNA) - ZP2 210/214</b>	1
	<i>E70382</i>	<i>O-RING, COVER (VITON) - ZP2 210/214</i>	1
	<i>V70382</i>	<i>O-RING, COVER (EPDM) - ZP2 210/214</i>	1
52	<b>P2CVR112864</b>	<b>COVER - ZP2 210/214</b>	1
53	<b>P1SX108373</b>	<b>HEX NUT, COVER - ZP2 210/214/320/324</b>	8
	<i>P1GX110858</i>	<i>WING NUT, COVER - ZP2 210/214/320/324</i>	8
55	<b>P1SX320SPLATE</b>	<b>BEARING RETAINER SPLASH PLATE - ZP1 320/324</b>	2
	<b>P1GX30-213</b>	<b>WASHER,210/320,LOCK,10-32</b>	8
	<b>P1GX30-212</b>	<b>CAPSCRW,HX,10-32X1/2,18-8SS</b>	8



**Single Mechanical Seal**

*Optional Items Shown in ITALICS*

Ref #	Component Item No.	Description	Qty Per
35	P2SX105422	ROTOR KEY - ZP2 210/214	2
39	P2BDY210001000	BODY - ZP2 210	1
40	P2GX102438	STOP PIN, SEAL	6
45	N70154	O-RING, INNER SEAL (BUNA) - ZP2 210/214/320/324	2
	<i>E70154</i>	<i>O-RING, INNER SEAL (EPDM) - ZP2 210/214/320/324</i>	2
	<i>V70154</i>	<i>O-RING, INNER SEAL (VITON) - ZP2 210/214/320/324</i>	2
46	P2RTB210010000	ROTOR TWIN BLADE - ALLOY 88 - ZP2 210/214	2
	<i>P2RTB21001000H</i>	<i>ROTOR TWIN BLADE - ALLOY 88 - ZP2 210/214</i>	2
47	N70237	O-RING, ROTOR NUT (BUNA) - ZP2 210/214/320/324	2
	<i>E70237</i>	<i>O-RING, ROTOR NUT (EPDM) - ZP2 210/214/320/324</i>	2
	<i>V70237</i>	<i>O-RING, ROTOR NUT (VITON) - ZP2 210/214/320/324</i>	2
48	N70125	O-RING, RETAINER (BUNA) - ZP2 210/214/320/324	2
	<i>E70125</i>	<i>O-RING, RETAINER (EPDM) - ZP2 210/214/320/324</i>	2
	<i>V70125</i>	<i>O-RING, RETAINER (VITON) - ZP2 210/214/320/324</i>	2
49	P2GX105411	BELLEVILLE WASHER, SS - ZP2 210/214/320/324	2
50	P2SX105409	ROTOR NUT - ZP2 210/214/320/324	2
56	P2GS105419	INNER SEAL WAVE SPRING - ZP2 210/214/320/324	2
57	P2GS105414	INNER SEAL (C) ZP2 210/214/320/324	2
	<i>P2GS105413</i>	<i>INNER SEAL (K) - ZP2 210/214/320/324</i>	2
	<i>P2GS105412</i>	<i>INNER SEAL (N) - ZP2 210/214/320/324</i>	2
58	N70149	O-RING, SHAFT (BUNA) - ZP2 210/214/320/324	2
	<i>E70149</i>	<i>O-RING, SHAFT (EPDM) - ZP2 210/214/320/324</i>	2
	<i>V70149</i>	<i>O-RING, SHAFT (VITON) - ZP2 210/214/320/324</i>	2
59	P2GS105417	SEAL SEAT (C) ZP2 210/214/320/324	2
	<i>P2GS105416</i>	<i>SEAL SEAT (K) ZP2 210/214/320/324</i>	2
63	N70232	O-RING, ROTOR HUB (BUNA) - ZP2 210/214/320/324	2
	<i>E70232</i>	<i>O-RING, ROTOR HUB (BUNA) - ZP2 210/214/320/324</i>	2



**Single Mechanical Seal**

*Optional Items Shown in ITALICS*

<b>Ref #</b>	<b>Component Item No.</b>	<b>Description</b>	<b>Qty Per</b>
63	V70232	<i>O-RING, ROTOR HUB (BUNA) - ZP2 210/214/320/324</i>	2



**Double Mechanical Seal**

*Optional Items Shown in ITALICS*

Ref #	Component Item No.	Description	Qty Per
35	<b>P2SX105422</b>	<b>ROTOR KEY - ZP2 210/214</b>	<b>2</b>
40	<b>P2GX102438</b>	<b>STOP PIN, SEAL</b>	<b>6</b>
45	<b>N70154</b>	<b>O-RING, INNER SEAL (BUNA) - ZP2 210/214/320/324</b>	<b>2</b>
	<i>E70154</i>	<i>O-RING, INNER SEAL (EPDM) - ZP2 210/214/320/324</i>	2
	<i>V70154</i>	<i>O-RING, INNER SEAL (VITON) - ZP2 210/214/320/324</i>	2
46	<b>P2RTB210010000</b>	<b>ROTOR TWIN BLADE - ALLOY 88 - ZP2 210/214</b>	<b>2</b>
	<i>P2RTB21001000H</i>	<i>ROTOR TWIN BLADE - ALLOY 88 - ZP2 210/214</i>	2
47	<b>N70237</b>	<b>O-RING, ROTOR NUT (BUNA) - ZP2 210/214/320/324</b>	<b>2</b>
	<i>E70237</i>	<i>O-RING, ROTOR NUT (EPDM) - ZP2 210/214/320/324</i>	2
	<i>V70237</i>	<i>O-RING, ROTOR NUT (VITON) - ZP2 210/214/320/324</i>	2
48	<b>N70125</b>	<b>O-RING, RETAINER (BUNA) - ZP2 210/214/320/324</b>	<b>2</b>
	<i>E70125</i>	<i>O-RING, RETAINER (EPDM) - ZP2 210/214/320/324</i>	2
	<i>V70125</i>	<i>O-RING, RETAINER (VITON) - ZP2 210/214/320/324</i>	2
49	<b>P2GX105411</b>	<b>BELLEVILLE WASHER, SS - ZP2 210/214/320/324</b>	<b>2</b>
50	<b>P2SX105409</b>	<b>ROTOR NUT - ZP2 210/214/320/324</b>	<b>2</b>
56	<b>P2GS105419</b>	<b>INNER SEAL WAVE SPRING - ZP2 210/214/320/324</b>	<b>2</b>
57	<b>P2GS105414</b>	<b>INNER SEAL (C) ZP2 210/214/320/324</b>	<b>2</b>
	<i>P2GS105413</i>	<i>INNER SEAL (K) - ZP2 210/214/320/324</i>	2
	<i>P2GS105412</i>	<i>INNER SEAL (N) - ZP2 210/214/320/324</i>	2
58	<b>N70149</b>	<b>O-RING, SHAFT (BUNA) - ZP2 210/214/320/324</b>	<b>2</b>
	<i>E70149</i>	<i>O-RING, SHAFT (EPDM) - ZP2 210/214/320/324</i>	2
	<i>V70149</i>	<i>O-RING, SHAFT (VITON) - ZP2 210/214/320/324</i>	2
59	<b>P2GS105417</b>	<b>SEAL SEAT (C) ZP2 210/214/320/324</b>	<b>2</b>
	<i>P2GS105416</i>	<i>SEAL SEAT (K) ZP2 210/214/320/324</i>	2
60	<i>P2GS105420</i>	<i>OUTER SEAL WAVE SPRING - ZP2 210/214/320/324</i>	2
61	<b>N70160</b>	<b>O-RING, OUTER SEAL (BUNA) - ZP2 210/214/320/324</b>	<b>2</b>
	<i>E70160</i>	<i>O-RING, OUTER SEAL (EPDM) - ZP2 210/214/320/324</i>	2



**Double Mechanical Seal**

*Optional Items Shown in ITALICS*

<b>Ref #</b>	<b>Component Item No.</b>	<b>Description</b>	<b>Qty Per</b>
61	V70160	<i>O-RING, OUTER SEAL (VITON) - ZP2 210/214/320/324</i>	2
62	<b>P2GS105418</b>	<b>OUTER SEAL (N) ZP2 210/214/320/324</b>	2
63	<b>N70232</b>	<b>O-RING, ROTOR HUB (BUNA) - ZP2 210/214/320/324</b>	2
	<i>E70232</i>	<i>O-RING, ROTOR HUB (BUNA) - ZP2 210/214/320/324</i>	2
	<i>V70232</i>	<i>O-RING, ROTOR HUB (BUNA) - ZP2 210/214/320/324</i>	2



**Single Mechanical Seal Kit**

*Optional Items Shown in ITALICS*

<b>Ref #</b>	<b>Component Item No.</b>	<b>Description</b>	<b>Qty Per</b>
5	<i>P2GS210010-V</i>	<i>SEAL KIT, SGL MECH, SC/SC, VITON - ZP2 210/214</i>	1



**Double Mechanical Seal Kit**

*Optional Items Shown in ITALICS*

<b>Ref #</b>	<b>Component Item No.</b>	<b>Description</b>	<b>Qty Per</b>
<b>2</b>	<b>P2GS210200-N</b>	<b>SEAL KIT, DBL MECH, SC/CA/CA, BUNA - ZP2 210/214</b>	<b>1</b>
	<i>P2GS210200-E</i>	<i>SEAL KIT, DBL MECH, SC/CA/CA, EPDM - ZP2 210/214</i>	<i>1</i>
	<i>P2GS210200-V</i>	<i>SEAL KIT, DBL MECH, SC/CA/CA, VITON - ZP2 210/214</i>	<i>1</i>
<b>3</b>	<i>P2GS210220-E</i>	<i>SEAL KIT, DBL MECH, CE/CA/CA, EPDM - ZP2 210/214</i>	<i>1</i>
<b>5</b>	<i>P2GS210210-E</i>	<i>SEAL KIT, DBL MECH, SC/SC/CA, EPDM - ZP2 210/214</i>	<i>1</i>
	<i>P2GS210210-V</i>	<i>SEAL KIT, DBL MECH, SC/SC/CA, VITON - ZP2 210/214</i>	<i>1</i>



**Exploded View**

*Optional Items Shown in ITALICS*

Ref #	Component Item No.	Description	Qty Per
1	P1GX30-50	GEAR CASE COVER BOLT - 3/8-16 X 3/4 HHCS (18-8 SS)	6
2	P1GX43-189	GEAR CASE COVER WASHER - 3/8 FLAT WASHER (18-8 SS)	6
3	P1GXSTD030004	OIL SEAL, GEAR CASE COVER -ZP2 210/214/320/324	1
4	P1SX40669	GEAR CASE COVER, SS - ZP2 210/214/320/324	1
5	P1GXOH1236000	GEAR LOCKNUT - ZP2 210/214/320/324	2
6	P1GXOH1136000	GEAR LOCKWASHER - ZP2 210/214/320/324	2
7	P1GX320007001	GEAR DRIVE SHAFT - ZP2 210/214/320/324	1
8	P1GX320007002	GEAR SHORT SHAFT - ZP2 210/214/320/324	1
9	P1GXOH1037000	GEAR KEY - ZP2 210/214/320/324	2
10	P1GX102475	OIL SEAL REAR - ZP2 210/214/320/324	2
11	P2SX105478	GEAR CASE, SS - ZP2 & ZP3 210/214/320/324	1
12	P1GX115798	PLUG,HEX,20M X1.5,W/NBR SEAL	5
13	P1GX115799	GAUGE,OIL,LVL,INDIC,M-20X1.5	1
14	P1GX70PLUG-SS	CLEAN OUT PLUG, SS - ZP1 & ZP2 45/60/64/130/134	4
	<i>P1GX70PLUG</i>	<i>CLEAN OUT PLUG, YELLOW - ZP1 &amp; ZP2 45/60/64/130/134</i>	4
16	P1GXBD0092001	GREASE FITTING, THREADED 1/4"-28 TAPER, SS	8
17	P1SX40288	GEAR CASE BASE, SS - ZP2 210/214/320/324	1
18	P1GX30-250	SHCS, G. CASE BASE, (18-8 SS) 1/2-13 X 1.75" ZP2 210/214/320/324	4
19	P1GX111292	STUD, SHORT, ZP2 210/214	4
	P1GX112191	STUD, LONG, ZP2 210/214	4
20	P1GXOH1116000	DOWEL BUSHING - ZP2 210/214/320/324	2
21	P1GX105871	DOWEL PIN, GEAR BOX SIDE - ZP2 210/214/320/324	2
22	P1GXOH1116000	DOWEL BUSHING - ZP2 210/214/320/324	2
23	P1GX105871	DOWEL PIN, GEAR BOX SIDE - ZP2 210/214/320/324	2
24	P2SX320CEGUARD	GUARD,210/214/320/324,(CE),GC,SS	2
25	P1GXEYEBOLT-SS	EYE BOLT,60-224,SS	3
26	P1GX000CENAIL	DRIVENAIL,ZP,GEAR CASE GUARDS	4



**Exploded View**

*Optional Items Shown in ITALICS*

Ref #	Component Item No.	Description	Qty Per
27	P1GX102474	GEAR TO REAR BEARING SPACER - ZP2 210/214/320/324	2
28	P1GXOH1036000	REAR BEARING - ZP2 210/214/320/324	2
29	P1GX102473	BEARING SPACER, THIN - ZP2 210/214/320/324	2
	P1GX102472	BEARING SPACER, THICK - ZP2 210/214/320/324	2
30	P1GX117893	SHIM KIT - ZP2 210/214/320/324	2
31	P1GXOH1036003	FRONT BEARING - ZP2 210/214/320/324	2
32	P1GX000037005	DRIVE KEY, 5/8" SQ. X 2" - ZP1 & ZP2 320/324	1
33	P2SX112186	DRIVE SHAFT (17-4PH) - ZP2 210/214	1
34	P2SX112187	SHORT SHAFT (17-4PH) - ZP2 210/214	1
35	P2SX105422	ROTOR KEY - ZP2 210/214	2
36	P1SXOH1080000	BEARING RETAINER - ZP2 210/214/320/324	2
37	P1GXSTD030002	GREASE SEAL FRONT BEARING RET. - ZP1 & ZP2 320/324	2
38	P1GX30-343	BEARING RETAINER BOLT - 5/16-18 X 1 SHCS (18-8 SS)	8
39	P2BDY214001000	BODY - ZP2 214	1
40	P2GX102438	STOP PIN, SEAL	6
41	N70377	O-RING, RECTANGULAR FLANGE (BUNA) - ZP2 214	1
42	P1GXOH1040000	DOWEL PIN, COVER SIDE - ZP2 210/214/320/324	2
43	P1GXOH1040000	DOWEL PIN, COVER SIDE - ZP2 210/214/320/324	2
44	P1GX30-326	BODY RETAINING SCREW, 3/8-16 X 3.5" 18-8 SS - ZP2 210/214	2
45	N70154	O-RING, INNER SEAL (BUNA) - ZP2 210/214/320/324	2
	<i>E70154</i>	<i>O-RING, INNER SEAL (EPDM) - ZP2 210/214/320/324</i>	2
	<i>V70154</i>	<i>O-RING, INNER SEAL (VITON) - ZP2 210/214/320/324</i>	2
46	P2RTB210010000	ROTOR TWIN BLADE - ALLOY 88 - ZP2 210/214	2
	<i>P2RTB21001000H</i>	<i>ROTOR TWIN BLADE - ALLOY 88 - ZP2 210/214</i>	2
47	N70237	O-RING, ROTOR NUT (BUNA) - ZP2 210/214/320/324	2
	<i>E70237</i>	<i>O-RING, ROTOR NUT (EPDM) - ZP2 210/214/320/324</i>	2
	<i>V70237</i>	<i>O-RING, ROTOR NUT (VITON) - ZP2 210/214/320/324</i>	2



**Exploded View**

*Optional Items Shown in ITALICS*

Ref #	Component Item No.	Description	Qty Per
48	<b>N70125</b>	<b>O-RING, RETAINER (BUNA) - ZP2 210/214/320/324</b>	<b>2</b>
	<i>E70125</i>	<i>O-RING, RETAINER (EPDM) - ZP2 210/214/320/324</i>	<i>2</i>
	<i>V70125</i>	<i>O-RING, RETAINER (VITON) - ZP2 210/214/320/324</i>	<i>2</i>
49	<b>P2GX105411</b>	<b>BELLEVILLE WASHER, SS - ZP2 210/214/320/324</b>	<b>2</b>
50	<b>P2SX105409</b>	<b>ROTOR NUT - ZP2 210/214/320/324</b>	<b>2</b>
51	<b>N70382</b>	<b>O-RING, COVER (BUNA) - ZP2 210/214</b>	<b>1</b>
	<i>E70382</i>	<i>O-RING, COVER (VITON) - ZP2 210/214</i>	<i>1</i>
	<i>V70382</i>	<i>O-RING, COVER (EPDM) - ZP2 210/214</i>	<i>1</i>
52	<b>P2CVR112864</b>	<b>COVER - ZP2 210/214</b>	<b>1</b>
53	<b>P1SX108373</b>	<b>HEX NUT, COVER - ZP2 210/214/320/324</b>	<b>8</b>
	<i>P1GX110858</i>	<i>WING NUT, COVER - ZP2 210/214/320/324</i>	<i>8</i>
55	<b>P1SX320SPLATE</b>	<b>BEARING RETAINER SPLASH PLATE - ZP1 320/324</b>	<b>2</b>
	<b>P1GX30-212</b>	<b>CAPSCRW,HX,10-32X1/2,18-8SS</b>	<b>8</b>
	<b>P1GX30-213</b>	<b>WASHER,210/320,LOCK,10-32</b>	<b>8</b>



**Single Mechanical Seal**

*Optional Items Shown in ITALICS*

Ref #	Component Item No.	Description	Qty Per
35	P2SX105422	ROTOR KEY - ZP2 210/214	2
39	P2BDY214001000	BODY - ZP2 214	1
40	P2GX102438	STOP PIN, SEAL	6
45	N70154	O-RING, INNER SEAL (BUNA) - ZP2 210/214/320/324	2
	<i>E70154</i>	<i>O-RING, INNER SEAL (EPDM) - ZP2 210/214/320/324</i>	2
	<i>V70154</i>	<i>O-RING, INNER SEAL (VITON) - ZP2 210/214/320/324</i>	2
46	P2RTB210010000	ROTOR TWIN BLADE - ALLOY 88 - ZP2 210/214	2
	<i>P2RTB21001000H</i>	<i>ROTOR TWIN BLADE - ALLOY 88 - ZP2 210/214</i>	2
47	N70237	O-RING, ROTOR NUT (BUNA) - ZP2 210/214/320/324	2
	<i>E70237</i>	<i>O-RING, ROTOR NUT (EPDM) - ZP2 210/214/320/324</i>	2
	<i>V70237</i>	<i>O-RING, ROTOR NUT (VITON) - ZP2 210/214/320/324</i>	2
48	N70125	O-RING, RETAINER (BUNA) - ZP2 210/214/320/324	2
	<i>E70125</i>	<i>O-RING, RETAINER (EPDM) - ZP2 210/214/320/324</i>	2
	<i>V70125</i>	<i>O-RING, RETAINER (VITON) - ZP2 210/214/320/324</i>	2
49	P2GX105411	BELLEVILLE WASHER, SS - ZP2 210/214/320/324	2
50	P2SX105409	ROTOR NUT - ZP2 210/214/320/324	2
56	P2GS105419	INNER SEAL WAVE SPRING - ZP2 210/214/320/324	2
57	P2GS105414	INNER SEAL (C) ZP2 210/214/320/324	2
	<i>P2GS105413</i>	<i>INNER SEAL (K) - ZP2 210/214/320/324</i>	2
	<i>P2GS105412</i>	<i>INNER SEAL (N) - ZP2 210/214/320/324</i>	2
58	N70149	O-RING, SHAFT (BUNA) - ZP2 210/214/320/324	2
	<i>E70149</i>	<i>O-RING, SHAFT (EPDM) - ZP2 210/214/320/324</i>	2
	<i>V70149</i>	<i>O-RING, SHAFT (VITON) - ZP2 210/214/320/324</i>	2
59	P2GS105417	SEAL SEAT (C) ZP2 210/214/320/324	2
	<i>P2GS105416</i>	<i>SEAL SEAT (K) ZP2 210/214/320/324</i>	2
63	N70232	O-RING, ROTOR HUB (BUNA) - ZP2 210/214/320/324	2
	<i>E70232</i>	<i>O-RING, ROTOR HUB (BUNA) - ZP2 210/214/320/324</i>	2



**Single Mechanical Seal**

*Optional Items Shown in ITALICS*

<b>Ref #</b>	<b>Component Item No.</b>	<b>Description</b>	<b>Qty Per</b>
63	V70232	<i>O-RING, ROTOR HUB (BUNA) - ZP2 210/214/320/324</i>	2



**Double Mechanical Seal**

*Optional Items Shown in ITALICS*

Ref #	Component Item No.	Description	Qty Per
35	P2SX105422	ROTOR KEY - ZP2 210/214	2
40	P2GX102438	STOP PIN, SEAL	6
45	N70154	O-RING, INNER SEAL (BUNA) - ZP2 210/214/320/324	2
	<i>E70154</i>	<i>O-RING, INNER SEAL (EPDM) - ZP2 210/214/320/324</i>	2
	<i>V70154</i>	<i>O-RING, INNER SEAL (VITON) - ZP2 210/214/320/324</i>	2
46	P2RTB210010000	ROTOR TWIN BLADE - ALLOY 88 - ZP2 210/214	2
	<i>P2RTB21001000H</i>	<i>ROTOR TWIN BLADE - ALLOY 88 - ZP2 210/214</i>	2
47	N70237	O-RING, ROTOR NUT (BUNA) - ZP2 210/214/320/324	2
	<i>E70237</i>	<i>O-RING, ROTOR NUT (EPDM) - ZP2 210/214/320/324</i>	2
	<i>V70237</i>	<i>O-RING, ROTOR NUT (VITON) - ZP2 210/214/320/324</i>	2
48	N70125	O-RING, RETAINER (BUNA) - ZP2 210/214/320/324	2
	<i>E70125</i>	<i>O-RING, RETAINER (EPDM) - ZP2 210/214/320/324</i>	2
	<i>V70125</i>	<i>O-RING, RETAINER (VITON) - ZP2 210/214/320/324</i>	2
49	P2GX105411	BELLEVILLE WASHER, SS - ZP2 210/214/320/324	2
50	P2SX105409	ROTOR NUT - ZP2 210/214/320/324	2
56	P2GS105419	INNER SEAL WAVE SPRING - ZP2 210/214/320/324	2
57	P2GS105414	INNER SEAL (C) ZP2 210/214/320/324	2
	<i>P2GS105413</i>	<i>INNER SEAL (K) - ZP2 210/214/320/324</i>	2
	<i>P2GS105412</i>	<i>INNER SEAL (N) - ZP2 210/214/320/324</i>	2
58	N70149	O-RING, SHAFT (BUNA) - ZP2 210/214/320/324	2
	<i>E70149</i>	<i>O-RING, SHAFT (EPDM) - ZP2 210/214/320/324</i>	2
	<i>V70149</i>	<i>O-RING, SHAFT (VITON) - ZP2 210/214/320/324</i>	2
59	P2GS105417	SEAL SEAT (C) ZP2 210/214/320/324	2
	<i>P2GS105416</i>	<i>SEAL SEAT (K) ZP2 210/214/320/324</i>	2
60	<i>P2GS105420</i>	<i>OUTER SEAL WAVE SPRING - ZP2 210/214/320/324</i>	2
61	N70160	O-RING, OUTER SEAL (BUNA) - ZP2 210/214/320/324	2
	<i>E70160</i>	<i>O-RING, OUTER SEAL (EPDM) - ZP2 210/214/320/324</i>	2



**Double Mechanical Seal**

*Optional Items Shown in ITALICS*

<b>Ref #</b>	<b>Component Item No.</b>	<b>Description</b>	<b>Qty Per</b>
61	V70160	<i>O-RING, OUTER SEAL (VITON) - ZP2 210/214/320/324</i>	2
62	<b>P2GS105418</b>	<b>OUTER SEAL (N) ZP2 210/214/320/324</b>	<b>2</b>
63	<b>N70232</b>	<b>O-RING, ROTOR HUB (BUNA) - ZP2 210/214/320/324</b>	<b>2</b>
	<i>E70232</i>	<i>O-RING, ROTOR HUB (BUNA) - ZP2 210/214/320/324</i>	2
	<i>V70232</i>	<i>O-RING, ROTOR HUB (BUNA) - ZP2 210/214/320/324</i>	2



**Single Mechanical Seal Kit**

*Optional Items Shown in ITALICS*

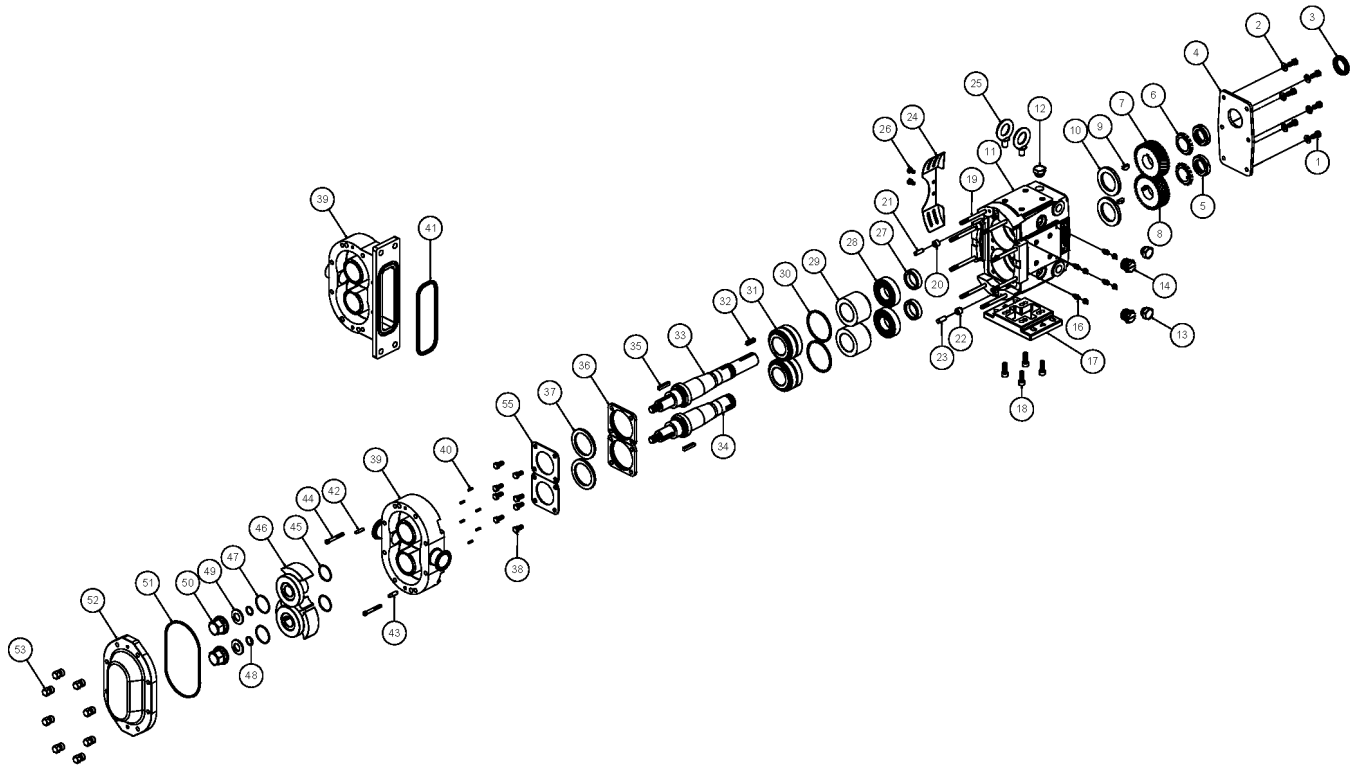
<b>Ref #</b>	<b>Component Item No.</b>	<b>Description</b>	<b>Qty Per</b>
5	<i>P2GS210010-V</i>	<i>SEAL KIT, SGL MECH, SC/SC, VITON - ZP2 210/214</i>	1



**Double Mechanical Seal Kit**

*Optional Items Shown in ITALICS*

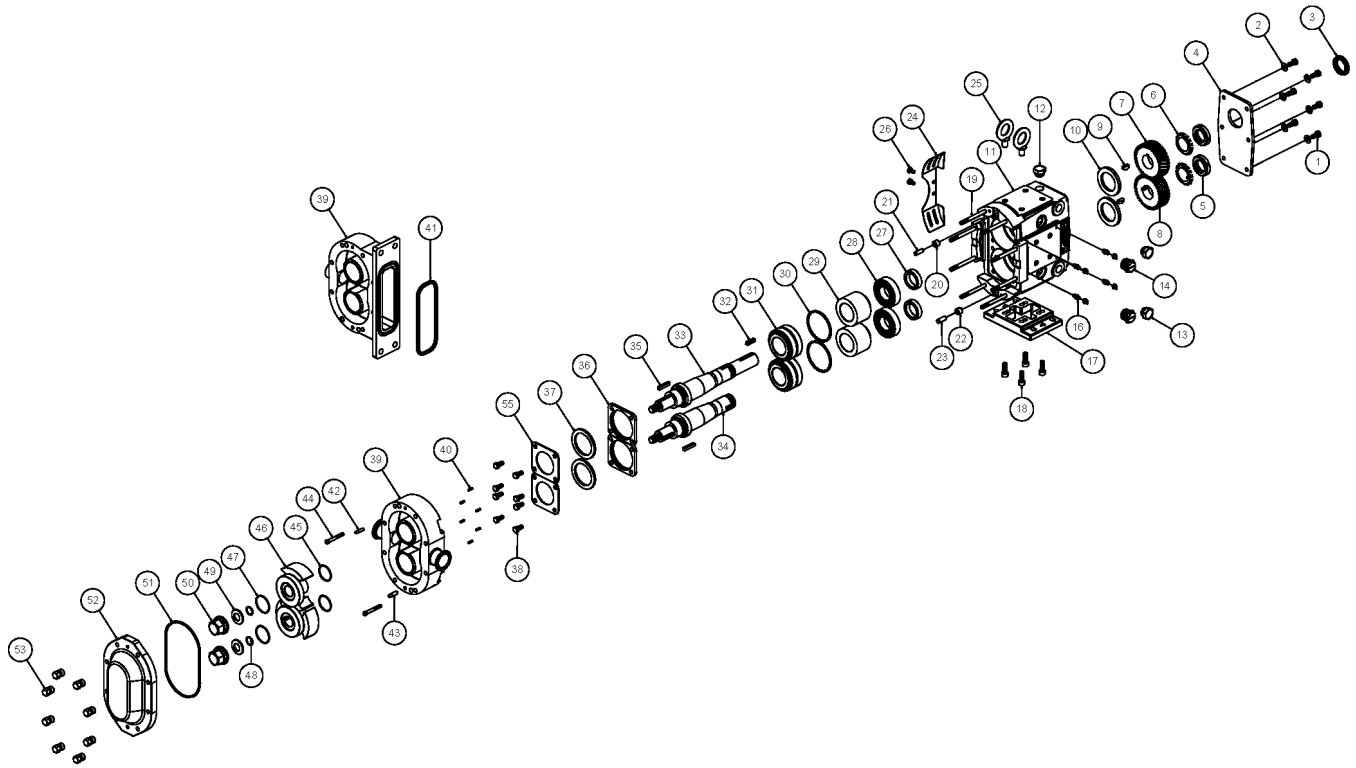
<b>Ref #</b>	<b>Component Item No.</b>	<b>Description</b>	<b>Qty Per</b>
<b>2</b>	<b>P2GS210200-N</b>	<b>SEAL KIT, DBL MECH, SC/CA/CA, BUNA - ZP2 210/214</b>	<b>1</b>
	<i>P2GS210200-E</i>	<i>SEAL KIT, DBL MECH, SC/CA/CA, EPDM - ZP2 210/214</i>	<i>1</i>
	<i>P2GS210200-V</i>	<i>SEAL KIT, DBL MECH, SC/CA/CA, VITON - ZP2 210/214</i>	<i>1</i>
<b>3</b>	<i>P2GS210220-E</i>	<i>SEAL KIT, DBL MECH, CE/CA/CA, EPDM - ZP2 210/214</i>	<i>1</i>
<b>5</b>	<i>P2GS210210-E</i>	<i>SEAL KIT, DBL MECH, SC/SC/CA, EPDM - ZP2 210/214</i>	<i>1</i>
	<i>P2GS210210-V</i>	<i>SEAL KIT, DBL MECH, SC/SC/CA, VITON - ZP2 210/214</i>	<i>1</i>



**Exploded View**

*Optional Items Shown in ITALICS*

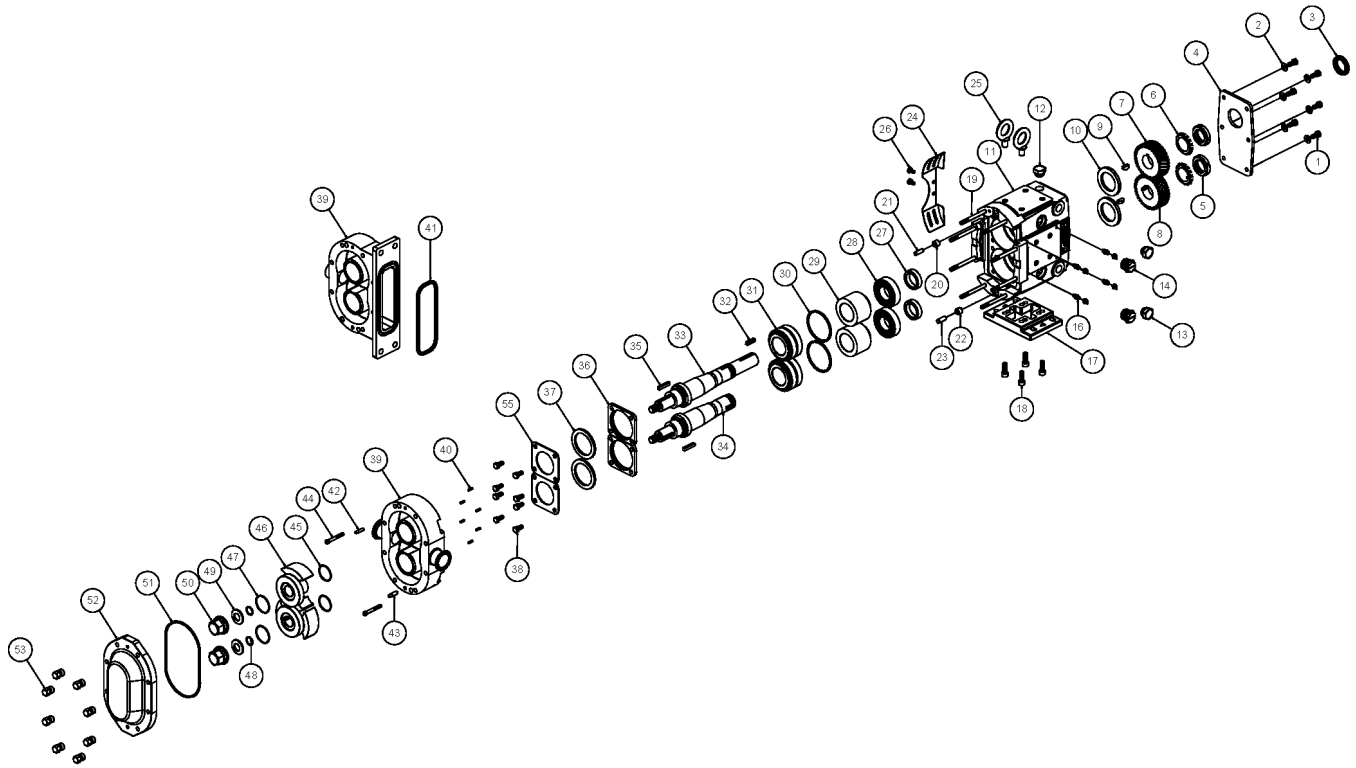
Ref #	Component Item No.	Description	Qty Per
1	P1GX30-50	GEAR CASE COVER BOLT - 3/8-16 X 3/4 HHCS (18-8 SS)	6
2	P1GX43-189	GEAR CASE COVER WASHER - 3/8 FLAT WASHER (18-8 SS)	6
3	P1GXSTD030006	OIL SEAL, GEAR CASE COVER - ZP1 & ZP2 220/223/224	1
4	P1SX230106000	GEAR CASE COVER, SS - ZP1 & ZP2 180/220/224	1
5	P1GXSTD236011	GEAR LOCKNUT ZP1 & ZP2 220/223/224	2
6	P1GXSTD136011	GEAR LOCKWASHER ZP1 & ZP2 220/223/224	2
7	P1GX220007001	GEAR DRIVE SHAFT ZP1 & ZP2 180/220/224	1
8	P1GX220007002	GEAR SHORT SHAFT ZP1 & ZP2 180/220/224	1
9	P1GX200037000	GEAR KEY - ZP1 & ZP2 180/220/224	2
10	P1GXSTD119002	OIL SEAL REAR - ZP1 & ZP2 220/223/224	2
11	P1SX230005000	GEAR CASE, SS - ZP1 & ZP2 180/220/224	1
12	P1GX115798	PLUG,HEX,20M X1.5,W/NBR SEAL	5
13	P1GX115799	GAUGE,OIL,LVL,INDIC,M-20X1.5	1
14	P1GX70PLUG-SS	CLEAN OUT PLUG, SS - ZP1 & ZP2 45/60/64/130/134	4
	<i>P1GX70PLUG</i>	<i>CLEAN OUT PLUG, YELLOW - ZP1 &amp; ZP2 45/60/64/130/134</i>	4
16	P1GXBD0092001	GREASE FITTING, THREADED 1/4"-28 TAPER, SS	8
17	P1SX230110000	GEAR CASE BASE, SS - ZP1 & ZP2 180/220/224	1
18	P1GX30-44	SHCS, G. CASE BASE, (18-8 SS) 1/2-13 X 2" ZP1 & ZP2 220/223	4
19	P1GX108844	STUD, ZP2 220	8
	<i>P1GX108847</i>	<i>STUD, JACKETED COVER, ZP2 220</i>	8
20	P1GXCD0116000	UPPER DOWEL BUSHING - ZP1 & ZP2 45/60/64/130/134/180/220/224	1
21	P1GX124584	DOWEL PIN - ZP1 & ZP2 45/60/64/130/134	1
22	P1GXCD0116100	LOWER DOWEL BUSHING - ZP1 & ZP2 45/60/64/130/134/180/220/224	1
23	P1GX124586	DOWEL PIN - ZP1 & ZP2 45/60/64/130/134	1
24	P1SX230CEGUARD	GUARD,180-224,(CE),GC,SS	2
25	P1GXEYEBOLT-SS	EYE BOLT,60-224,SS	2
26	P1GX000CENAIL	DRIVENAIL,ZP,GEAR CASE GUARDS	4



**Exploded View**

*Optional Items Shown in ITALICS*

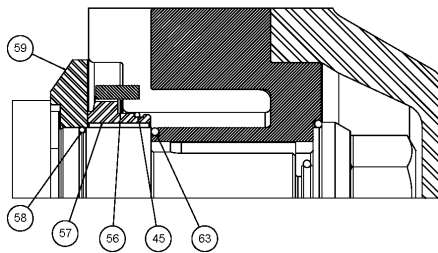
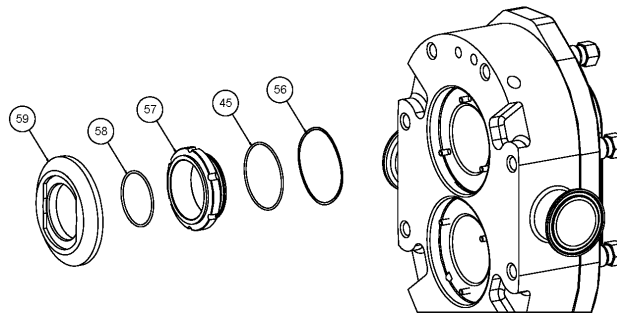
Ref #	Component Item No.	Description	Qty Per
27	P1GX40878	GEAR TO REAR BEARING SPACER - ZP1 & ZP2 180/184/220/223/224	2
28	P1GX200035000	REAR BEARING - ZP1 & ZP2 220/223/224	2
29	P1GX40752	BEARING SPACER - ZP1 & ZP2 180/184/220/223/224	2
30	P1GX117892	SHIM KIT - ZP1 & ZP2 180/220/224	2
31	P1GX200036000	FRONT BEARING - ZP1 & ZP2 220/223/224	2
32	P1GX000037004	DRIVE KEY, 1/2" SQ. X 1" - ZP1 & ZP2 180/184/220/224	1
33	P2SX108415	DRIVE SHAFT (17-4PH) - ZP2 220/224	1
34	P2SX108416	SHORT SHAFT (17-4PH) - ZP2 220/224	1
35	P2SX101827	ROTOR KEY - ZP2 220/224	2
37	P1GXSTD030002	GREASE SEAL FRONT BEARING RET. - ZP1 & ZP2 220/223/224	2
39	P2BDY220001000	BODY - ZP2 220	1
	<i>P2BDY220001F00</i>	<i>BODY - ZP2 220 - FLUSHED</i>	1
40	P2GX101720	STOP PIN, SEAL	6
42	P1GX124584	DOWEL PIN - ZP1 & ZP2 45/60/64/130/134	1
43	P1GX124586	DOWEL PIN - ZP1 & ZP2 45/60/64/130/134	1
44	P1GX30-499	CAPSCRW,SH,3/8-16X4-1/2,18-8SS SCKT HD	2
45	N70041	O-RING, INNER SEAL (BUNA) - ZP2 180/184/220/224	2
	<i>E70041</i>	<i>O-RING, INNER SEAL (EPDM) - ZP2 180/184/220/224</i>	2
	<i>V70041</i>	<i>O-RING, INNER SEAL (VITON) - ZP2 180/184/220/224</i>	2
46	P2RTB220010000	ROTOR TWIN BLADE - ALLOY 88 - ZP2 220	2
	<i>P2RTB22001000H</i>	<i>ROTOR TWIN BLADE - ALLOY 88 - ZP2 220 - HOT CLEARANCE</i>	2
	<i>P2RTB220010200</i>	<i>ROTOR TWIN BLADE - 316L - ZP2 220</i>	2
47	N70235	O-RING, ROTOR NUT (BUNA) - ZP2 180/184/220/224	2
	<i>E70235</i>	<i>O-RING, ROTOR NUT (EPDM) - ZP2 180/184/220/224</i>	2
	<i>V70235</i>	<i>O-RING, ROTOR NUT (VITON) - ZP2 180/184/220/224</i>	2
48	N70122	O-RING, RETAINER (BUNA) - ZP2 180/220/224	2
	<i>E70122</i>	<i>O-RING, RETAINER (EPDM) - ZP2 180/220/224</i>	2



**Exploded View**

*Optional Items Shown in ITALICS*

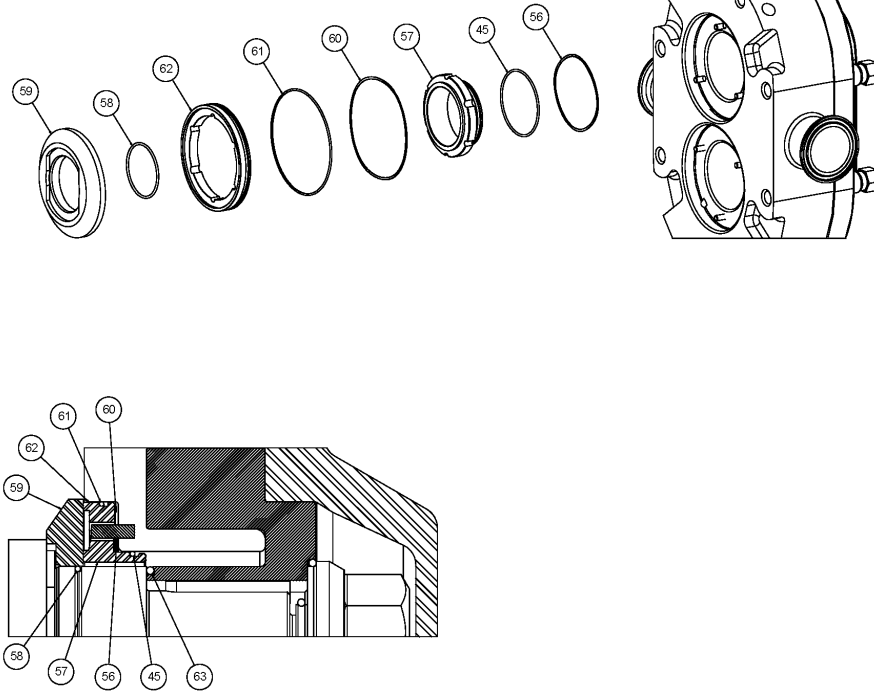
Ref #	Component Item No.	Description	Qty Per
48	V70122	O-RING, RETAINER (VITON) - ZP2 180/220/224	2
49	P2GX101694	BELLEVILLE WASHER, SS - ZP2 180/220/224	2
50	P2SX101807	ROTOR NUT - ZP2 180/220/224	2
51	N70381	O-RING, COVER (BUNA) - ZP2 180/184/220/224	1
	<i>E70381</i>	<i>O-RING, COVER (EPDM) - ZP2 180/184/220/224</i>	1
	<i>V70381</i>	<i>O-RING, COVER (VITON) - ZP2 180/184/220/224</i>	1
52	P2CVR101851	COVER - ZP2 180/184/220/224	1
	<i>P2CVR107670</i>	<i>COVER, JACKETED - ZP2 180/184/220/224</i>	1
53	P1SX108372	COVER HEX NUT - ZP1 & ZP2 180/220/224	8
	<i>P1GX105853</i>	<i>WING NUT - ZP1 &amp; ZP2 180/220/224</i>	8
55	P1SX230SPATE	BEARING RETAINER SPLASH PLATE - ZP1 & ZP2 180/220/224	2



**Single Mechanical Seal**

*Optional Items Shown in ITALICS*

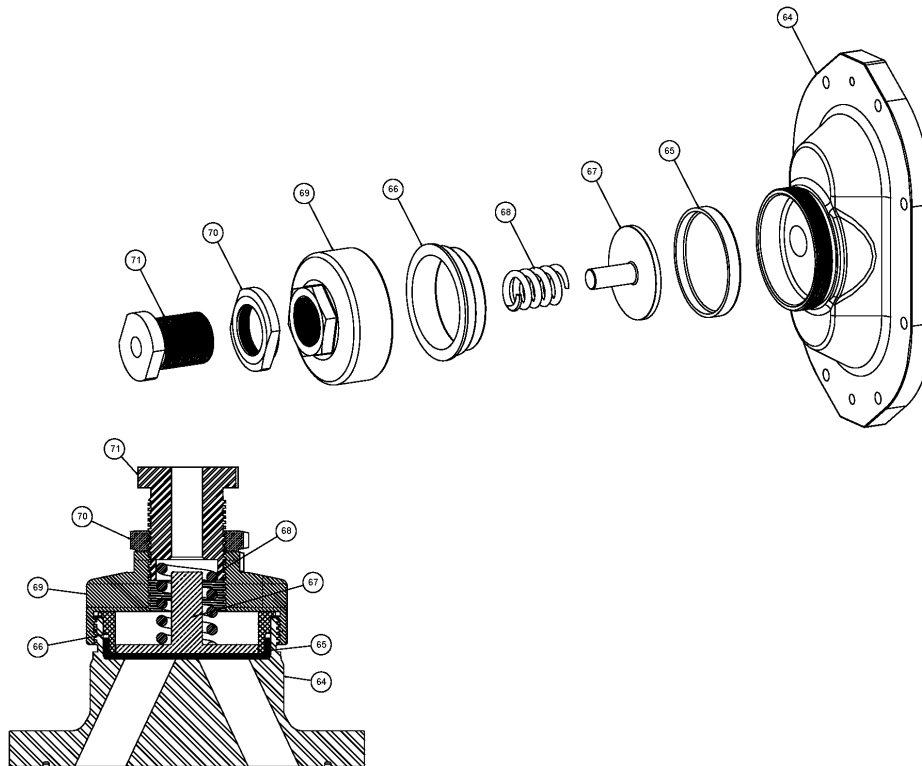
Ref #	Component Item No.	Description	Qty Per
45	<b>N70041</b>	<b>O-RING, INNER SEAL (BUNA) - ZP2 180/184/220/224</b>	<b>2</b>
	<i>E70041</i>	<i>O-RING, INNER SEAL (EPDM) - ZP2 180/184/220/224</i>	2
	<i>V70041</i>	<i>O-RING, INNER SEAL (VITON) - ZP2 180/184/220/224</i>	2
56	<b>P2GS101689</b>	<b>INNER SEAL WAVE SPRING - ZP2 180/184/220/224</b>	<b>2</b>
57	<b>P2GS101665</b>	<b>INNER SEAL (C) ZP2 180/184/220/224</b>	<b>2</b>
	<i>P2GS101664</i>	<i>INNER SEAL (K) - ZP2 180/184/220/224</i>	2
	<i>P2GS101663</i>	<i>INNER SEAL (N) - ZP2 180/184/220/224</i>	2
58	<b>N70145</b>	<b>O-RING, SHAFT (BUNA) - ZP2 180/184/220/224</b>	<b>2</b>
	<i>E70145</i>	<i>O-RING, SHAFT (EPDM) - ZP2 180/184/220/224</i>	2
	<i>V70145</i>	<i>O-RING, SHAFT (VITON) - ZP2 180/184/220/224</i>	2
59	<b>P2GS101677</b>	<b>SEAL SEAT (C) ZP2 180/184/220/224</b>	<b>2</b>
	<i>P2GS101676</i>	<i>SEAL SEAT (K) ZP2 180/184/220/224</i>	2
63	<b>N70230</b>	<b>O-RING, ROTOR HUB (BUNA) - ZP2 180/184/220/224</b>	<b>2</b>
	<i>E70230</i>	<i>O-RING, ROTOR HUB (EPDM) - ZP2 180/184/220/224</i>	2
	<i>V70230</i>	<i>O-RING, ROTOR HUB (VITON) - ZP2 180/184/220/224</i>	2



**Double Mechanical Seal**

*Optional Items Shown in ITALICS*

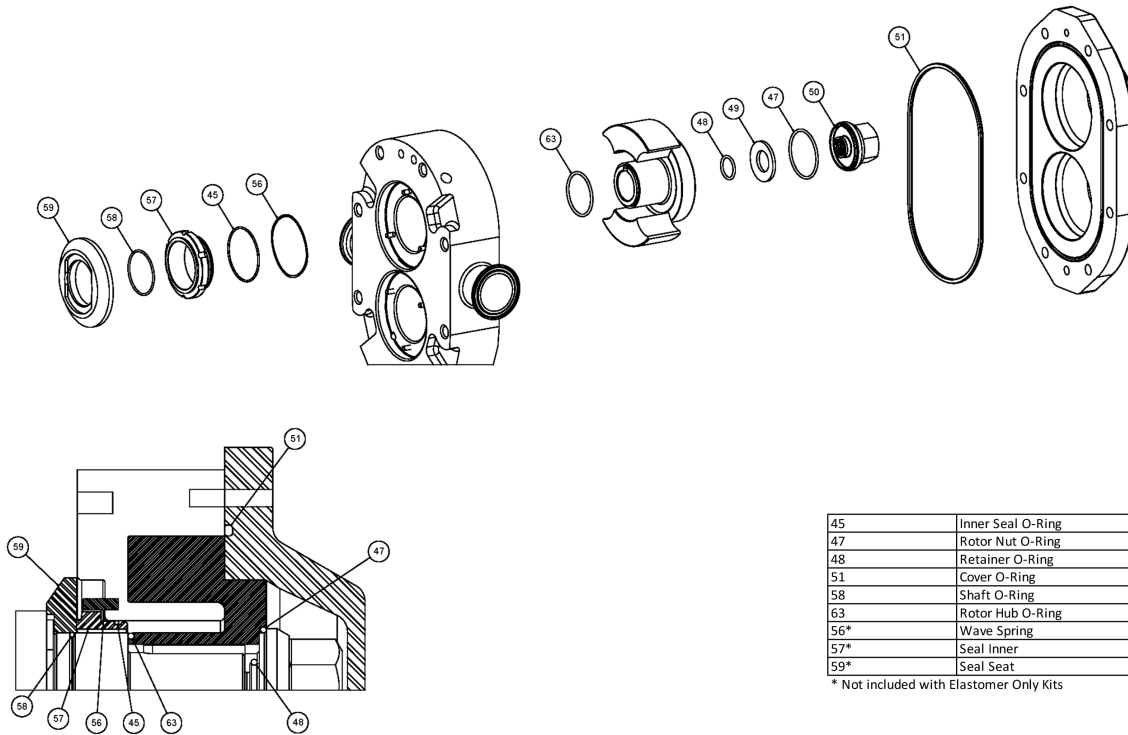
Ref #	Component Item No.	Description	Qty Per
45	<b>N70041</b>	<b>O-RING, INNER SEAL (BUNA) - ZP2 180/184/220/224</b>	<b>2</b>
	<i>E70041</i>	<i>O-RING, INNER SEAL (EPDM) - ZP2 180/184/220/224</i>	2
	<i>V70041</i>	<i>O-RING, INNER SEAL (VITON) - ZP2 180/184/220/224</i>	2
56	<b>P2GS101689</b>	<b>INNER SEAL WAVE SPRING - ZP2 180/184/220/224</b>	<b>2</b>
57	<b>P2GS101665</b>	<b>INNER SEAL (C) ZP2 180/184/220/224</b>	<b>2</b>
	<i>P2GS101664</i>	<i>INNER SEAL (K) - ZP2 180/184/220/224</i>	2
	<i>P2GS101663</i>	<i>INNER SEAL (N) - ZP2 180/184/220/224</i>	2
58	<b>N70145</b>	<b>O-RING, SHAFT (BUNA) - ZP2 180/184/220/224</b>	<b>2</b>
	<i>E70145</i>	<i>O-RING, SHAFT (EPDM) - ZP2 180/184/220/224</i>	2
	<i>V70145</i>	<i>O-RING, SHAFT (VITON) - ZP2 180/184/220/224</i>	2
59	<b>P2GS101677</b>	<b>SEAL SEAT (C) ZP2 180/184/220/224</b>	<b>2</b>
	<i>P2GS101676</i>	<i>SEAL SEAT (K) ZP2 180/184/220/224</i>	2
60	<b>P2GS101690</b>	<b>OUTER SEAL WAVE SPRING - ZP2 220/224</b>	<b>2</b>
61	<b>N70046</b>	<b>O-RING, OUTER SEAL (BUNA) - ZP2 180/184/220/224</b>	<b>2</b>
	<i>E70046</i>	<i>O-RING, OUTER SEAL (EPDM) - ZP2 180/184/220/224</i>	2
	<i>V70046</i>	<i>O-RING, OUTER SEAL (VITON) - ZP2 180/184/220/224</i>	2
62	<b>P2GS101682</b>	<b>OUTER SEAL (N) ZP2 180/220/224</b>	<b>2</b>
63	<b>N70230</b>	<b>O-RING, ROTOR HUB (BUNA) - ZP2 180/184/220/224</b>	<b>2</b>
	<i>E70230</i>	<i>O-RING, ROTOR HUB (EPDM) - ZP2 180/184/220/224</i>	2
	<i>V70230</i>	<i>O-RING, ROTOR HUB (VITON) - ZP2 180/184/220/224</i>	2



**Pressure Relief Cover**

*Optional Items Shown in ITALICS*

Ref #	Component Item No.	Description	Qty Per
64	P2CVR103672	VENTED FRONT COVER, ZP2 - 180/184/220/224	1
65	P1GXGD0078000	RUBBER DIAPHRAGM, BUNA, ZP1 & ZP2 & ZP3 - 180/184/220/224	1
	<i>P1GXGD0078V00</i>	<i>RUBBER DIAPHRAGM, VITON, ZP1 &amp; ZP2 &amp; ZP3 - 180/184/220/224</i>	1
66	P1SXGD0077000	DIAPHRAGM BUSHING, ZP1 & ZP2 & ZP3 - 180/184/220/224	1
67	P1SXGD0073000	SPRING PLUNGER, ZP1 & ZP2 & ZP3 - 180/184/220/224	1
68	P1SX113400	SPRING, MEDIUM, (LESS THAN 150 PSI), ZP1 & ZP2 & ZP3 - 180/184/220/224	1
	<i>P1SX113524</i>	<i>SPRING, HIGH, (MORE THAN 150 PSI), ZP1 &amp; ZP2 &amp; ZP3 - 180/184/220/224</i>	1
69	P1SXGD0075000	COVER NUT, ZP1 & ZP2 & ZP3 - 180/184/220/224	1
70	P1SXGD0074000	LOCKNUT, ZP1 & ZP2 & ZP3 - 60/64/130/134/180/184/220/224	1
71	P1SX113657	ADJUSTING SCREW, ZP1 & ZP2 & ZP3 - 60/64/130/134/180/184/220/224	1



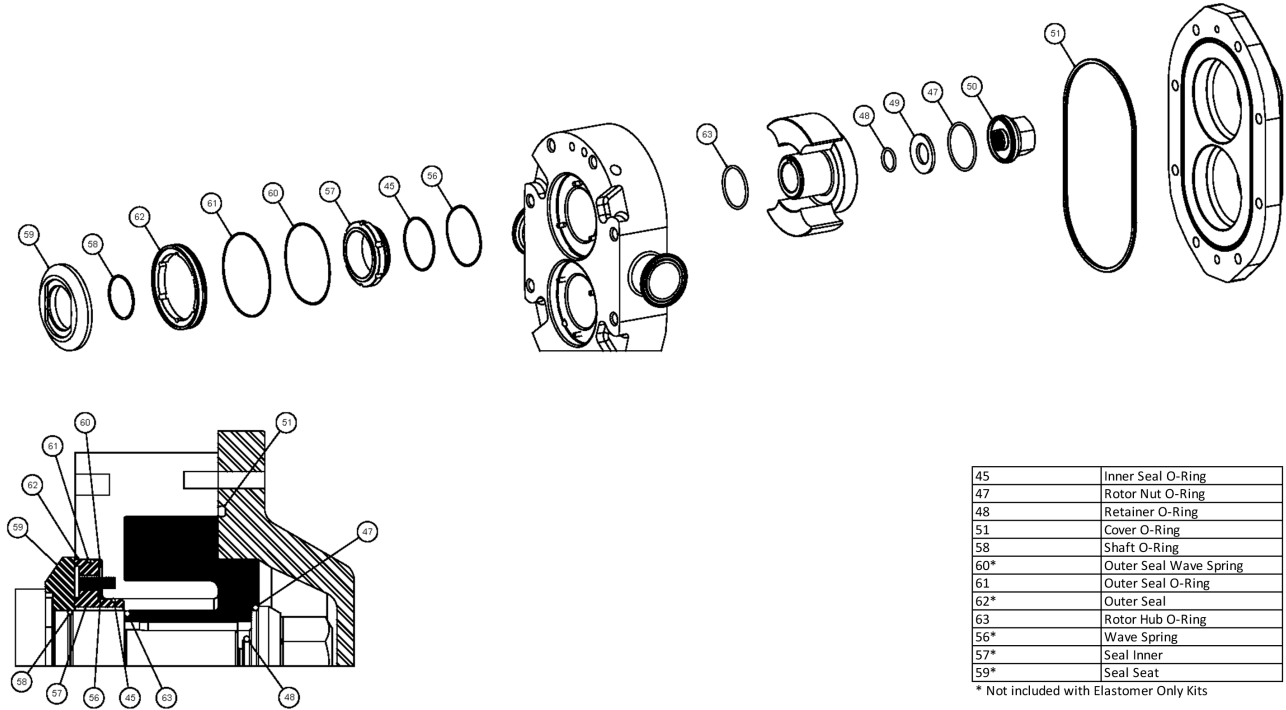
45	Inner Seal O-Ring
47	Rotor Nut O-Ring
48	Retainer O-Ring
51	Cover O-Ring
58	Shaft O-Ring
63	Rotor Hub O-Ring
56*	Wave Spring
57*	Seal Inner
59*	Seal Seat

\* Not included with Elastomer Only Kits

**Single Mechanical Seal Kit**

*Optional Items Shown in ITALICS*

Ref #	Component Item No.	Description	Qty Per
1	<b>P2GX220000-N</b>	<b>SEAL KIT, SGL MECH, ELASTOMERS ONLY, BUNA - ZP2 180/184/220/224</b>	<b>1</b>
	<i>P2GX220000-E</i>	<i>SEAL KIT, SGL MECH, ELASTOMERS ONLY, EPDM - ZP2 180/184/220/224</i>	<i>1</i>
	<i>P2GX220000-V</i>	<i>SEAL KIT, SGL MECH, ELASTOMERS ONLY, VITON - ZP2 180/184/220/224</i>	<i>1</i>
2	<b>P2GS220000-N</b>	<b>SEAL KIT, SGL MECH, SC/CA, BUNA - ZP2 180/184/220/224</b>	<b>1</b>
	<i>P2GS220000-E</i>	<i>SEAL KIT, SGL MECH, SC/CA, EPDM - ZP2 180/184/220/224</i>	<i>1</i>
	<i>P2GS220000-V</i>	<i>SEAL KIT, SGL MECH, SC/CA, VITON - ZP2 180/184/220/224</i>	<i>1</i>
3	<b>P2GS220020-N</b>	<b>SEAL KIT, SGL MECH, CE/CA, BUNA - ZP2 180/184/220/224</b>	<b>1</b>
	<i>P2GS220020-E</i>	<i>SEAL KIT, SGL MECH, CE/CA, EPDM - ZP2 180/184/220/224</i>	<i>1</i>
	<i>P2GS220020-V</i>	<i>SEAL KIT, SGL MECH, CE/CA, VITON - ZP2 180/184/220/224</i>	<i>1</i>
5	<b>P2GS220010-N</b>	<b>SEAL KIT, SGL MECH, SC/SC, BUNA - ZP2 180/184/220/224</b>	<b>1</b>
	<i>P2GS220010-E</i>	<i>SEAL KIT, SGL MECH, SC/SC, EPDM - ZP2 180/184/220/224</i>	<i>1</i>
	<i>P2GS220010-V</i>	<i>SEAL KIT, SGL MECH, SC/SC, VITON - ZP2 180/184/220/224</i>	<i>1</i>
49	<b>P2GX101694</b>	<b>BELLEVILLE WASHER, SS - ZP2 180/220/224</b>	<b>2</b>
50	<b>P2SX101807</b>	<b>ROTOR NUT - ZP2 180/220/224</b>	<b>2</b>



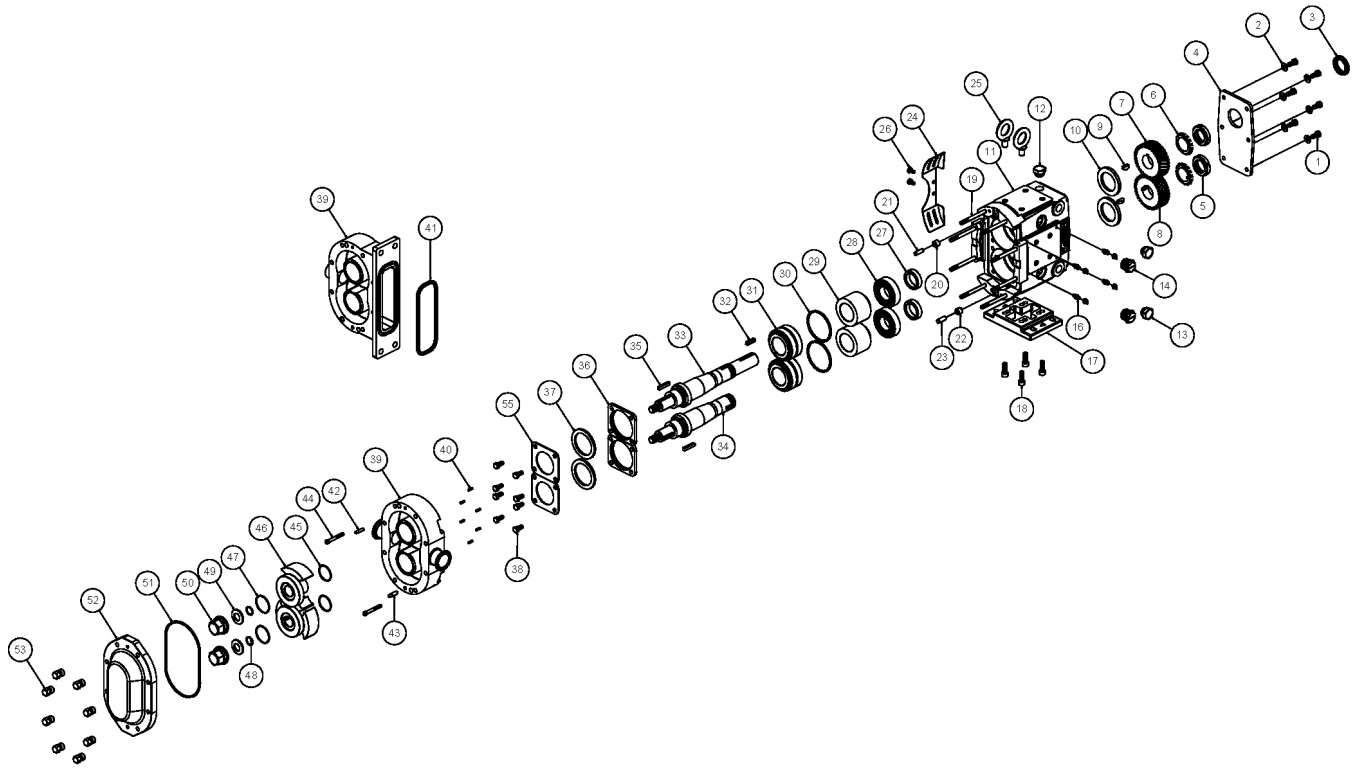
45	Inner Seal O-Ring
47	Rotor Nut O-Ring
48	Retainer O-Ring
51	Cover O-Ring
58	Shaft O-Ring
60*	Outer Seal Wave Spring
61	Outer Seal O-Ring
62*	Outer Seal
63	Rotor Hub O-Ring
56*	Wave Spring
57*	Seal Inner
59*	Seal Seat

\* Not included with Elastomer Only Kits

**Double Mechanical Seal Kit**

*Optional Items Shown in ITALICS*

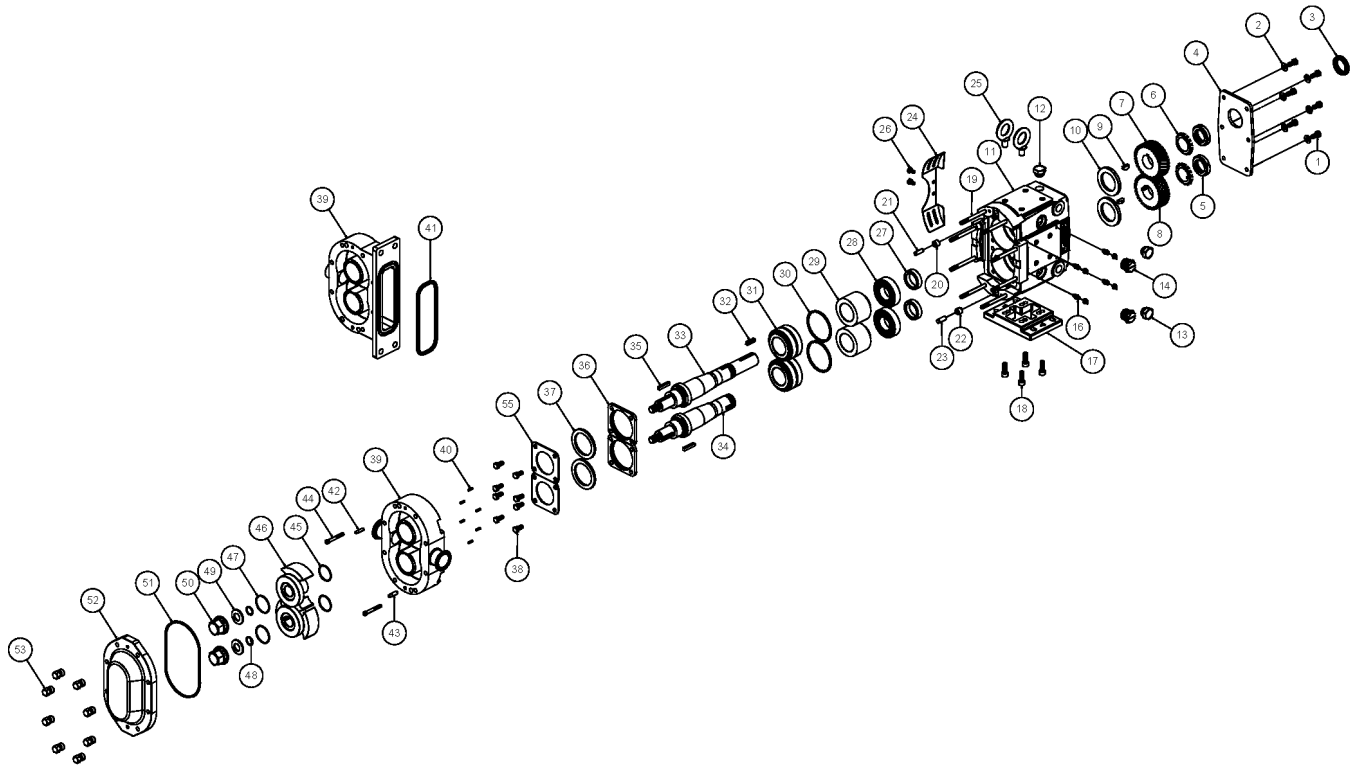
Ref #	Component Item No.	Description	Qty Per
1	<b>P2GX220200-N</b>	<b>SEAL KIT, DBL MECH, ELASTOMERS ONLY, BUNA - ZP2 180/184/220/224</b>	<b>1</b>
	<i>P2GX220200-E</i>	<i>SEAL KIT, DBL MECH, ELASTOMERS ONLY, EPDM - ZP2 180/184/220/224</i>	<i>1</i>
	<i>P2GX220200-V</i>	<i>SEAL KIT, DBL MECH, ELASTOMERS ONLY, VITON - ZP2 180/184/220/224</i>	<i>1</i>
2	<b>P2GS220200-N</b>	<b>SEAL KIT, DBL MECH, SC/CA/CA, BUNA - ZP2 180/184/220/224</b>	<b>1</b>
	<i>P2GS220200-E</i>	<i>SEAL KIT, DBL MECH, SC/CA/CA, EPDM - ZP2 180/184/220/224</i>	<i>1</i>
	<i>P2GS220200-V</i>	<i>SEAL KIT, DBL MECH, SC/CA/CA, VITON - ZP2 180/184/220/224</i>	<i>1</i>
3	<b>P2GS220220-N</b>	<b>SEAL KIT, DBL MECH, CE/CA/CA, BUNA - ZP2 180/184/220/224</b>	<b>1</b>
	<i>P2GS220220-E</i>	<i>SEAL KIT, DBL MECH, CE/CA/CA, EPDM - ZP2 180/184/220/224</i>	<i>1</i>
	<i>P2GS220220-V</i>	<i>SEAL KIT, DBL MECH, CE/CA/CA, VITON - ZP2 180/184/220/224</i>	<i>1</i>
4	<i>P2GS220230-E</i>	<i>SEAL KIT, DBL MECH, CE/CE/CA, EPDM - ZP2 180/184/220/224</i>	<i>1</i>
5	<b>P2GS220210-N</b>	<b>SEAL KIT, DBL MECH, SC/SC/CA, BUNA - ZP2 180/184/220/224</b>	<b>1</b>
	<i>P2GS220210-E</i>	<i>SEAL KIT, DBL MECH, SC/SC/CA, EPDM - ZP2 180/184/220/224</i>	<i>1</i>
	<i>P2GS220210-V</i>	<i>SEAL KIT, DBL MECH, SC/SC/CA, VITON - ZP2 180/184/220/224</i>	<i>1</i>
49	<b>P2GX101694</b>	<b>BELLEVILLE WASHER, SS - ZP2 180/220/224</b>	<b>2</b>
50	<b>P2SX101807</b>	<b>ROTOR NUT - ZP2 180/220/224</b>	<b>2</b>



**Exploded View**

*Optional Items Shown in ITALICS*

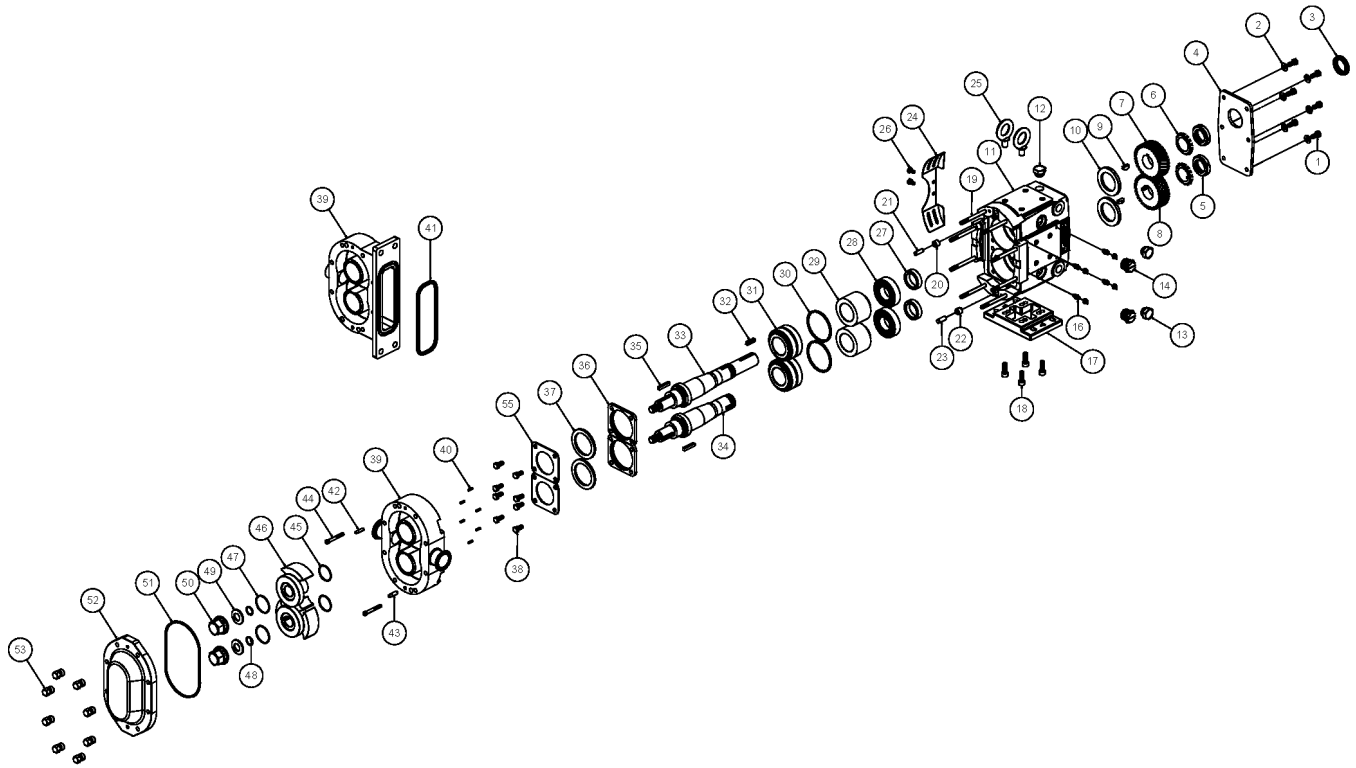
Ref #	Component Item No.	Description	Qty Per
1	P1GX30-50	GEAR CASE COVER BOLT - 3/8-16 X 3/4 HHCS (18-8 SS)	6
2	P1GX43-189	GEAR CASE COVER WASHER - 3/8 FLAT WASHER (18-8 SS)	6
3	P1GXSTD030006	OIL SEAL, GEAR CASE COVER - ZP1 & ZP2 220/223/224	1
4	P1SX230106000	GEAR CASE COVER, SS - ZP1 & ZP2 180/220/224	1
5	P1GXSTD236011	GEAR LOCKNUT ZP1 & ZP2 220/223/224	2
6	P1GXSTD136011	GEAR LOCKWASHER ZP1 & ZP2 220/223/224	2
7	P1GX220007001	GEAR DRIVE SHAFT ZP1 & ZP2 180/220/224	1
8	P1GX220007002	GEAR SHORT SHAFT ZP1 & ZP2 180/220/224	1
9	P1GX200037000	GEAR KEY - ZP1 & ZP2 180/220/224	2
10	P1GXSTD119002	OIL SEAL REAR - ZP1 & ZP2 220/223/224	2
11	P1SX230005000	GEAR CASE, SS - ZP1 & ZP2 180/220/224	1
12	P1GX115798	PLUG,HEX,20M X1.5,W/NBR SEAL	5
13	P1GX115799	GAUGE,OIL,LVL,INDIC,M-20X1.5	1
14	P1GX70PLUG-SS	CLEAN OUT PLUG, SS - ZP1 & ZP2 45/60/64/130/134	4
	<i>P1GX70PLUG</i>	<i>CLEAN OUT PLUG, YELLOW - ZP1 &amp; ZP2 45/60/64/130/134</i>	4
16	P1GXBD0092001	GREASE FITTING, THREADED 1/4"-28 TAPER, SS	8
17	P1SX230110000	GEAR CASE BASE, SS - ZP1 & ZP2 180/220/224	1
18	P1GX30-44	SHCS, G. CASE BASE, (18-8 SS) 1/2-13 X 2" ZP1 & ZP2 220/223	4
19	P1GX108844	STUD, ZP2 220	8
	<i>P1GX108847</i>	<i>STUD, JACKETED COVER, ZP2 220</i>	8
20	P1GXCD0116000	UPPER DOWEL BUSHING - ZP1 & ZP2 45/60/64/130/134/180/220/224	1
21	P1GX124584	DOWEL PIN - ZP1 & ZP2 45/60/64/130/134	1
22	P1GXCD0116100	LOWER DOWEL BUSHING - ZP1 & ZP2 45/60/64/130/134/180/220/224	1
23	P1GX124586	DOWEL PIN - ZP1 & ZP2 45/60/64/130/134	1
24	P1SX230CEGUARD	GUARD,180-224,(CE),GC,SS	2
25	P1GXEYEBOLT-SS	EYE BOLT,60-224,SS	2
26	P1GX000CENAIL	DRIVENAIL,ZP,GEAR CASE GUARDS	4



**Exploded View**

*Optional Items Shown in ITALICS*

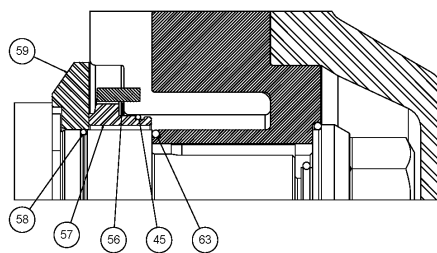
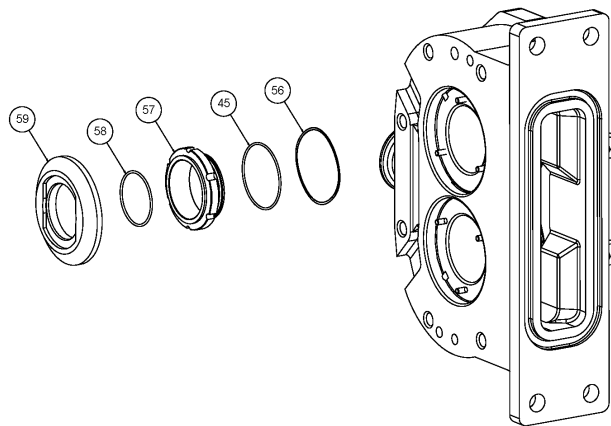
Ref #	Component Item No.	Description	Qty Per
27	P1GX40878	GEAR TO REAR BEARING SPACER - ZP1 & ZP2 180/184/220/223/224	2
28	P1GX200035000	REAR BEARING - ZP1 & ZP2 220/223/224	2
29	P1GX40752	BEARING SPACER - ZP1 & ZP2 180/184/220/223/224	2
30	P1GX117892	SHIM KIT - ZP1 & ZP2 180/220/224	2
31	P1GX200036000	FRONT BEARING - ZP1 & ZP2 220/223/224	2
32	P1GX000037004	DRIVE KEY, 1/2" SQ. X 1" - ZP1 & ZP2 180/184/220/224	1
33	P2SX108415	DRIVE SHAFT (17-4PH) - ZP2 220/224	1
34	P2SX108416	SHORT SHAFT (17-4PH) - ZP2 220/224	1
35	P2SX101827	ROTOR KEY - ZP2 220/224	2
37	P1GXSTD030002	GREASE SEAL FRONT BEARING RET. - ZP1 & ZP2 220/223/224	2
39	P2BDY224001000	BODY - ZP2 224	1
	<i>P2BDY224001F00</i>	<i>BODY - ZP2 224 - FLUSHED</i>	1
40	P2GX101720	STOP PIN, SEAL	6
41	N70376	O-RING, RECTANGULAR FLANGE (BUNA) - ZP2 224	1
	<i>E70376</i>	<i>O-RING, RECTANGULAR FLANGE (EPDM) - ZP2 224</i>	1
	<i>V70376</i>	<i>O-RING, RECTANGULAR FLANGE (VITON) - ZP2 224</i>	1
42	P1GX124584	DOWEL PIN - ZP1 & ZP2 45/60/64/130/134	1
43	P1GX124586	DOWEL PIN - ZP1 & ZP2 45/60/64/130/134	1
44	P1GX30-499	CAPSCRW,SH,3/8-16X4-1/2,18-8SS SCKT HD	2
45	N70041	O-RING, INNER SEAL (BUNA) - ZP2 180/184/220/224	2
	<i>E70041</i>	<i>O-RING, INNER SEAL (EPDM) - ZP2 180/184/220/224</i>	2
	<i>V70041</i>	<i>O-RING, INNER SEAL (VITON) - ZP2 180/184/220/224</i>	2
46	P2RTB220010000	ROTOR TWIN BLADE - ALLOY 88 - ZP2 220	2
	<i>P2RTB22001000H</i>	<i>ROTOR TWIN BLADE - ALLOY 88 - ZP2 220 - HOT CLEARANCE</i>	2
	<i>P2RTB220010200</i>	<i>ROTOR TWIN BLADE - 316L - ZP2 220</i>	2
47	N70235	O-RING, ROTOR NUT (BUNA) - ZP2 180/184/220/224	2
	<i>E70235</i>	<i>O-RING, ROTOR NUT (EPDM) - ZP2 180/184/220/224</i>	2



**Exploded View**

*Optional Items Shown in ITALICS*

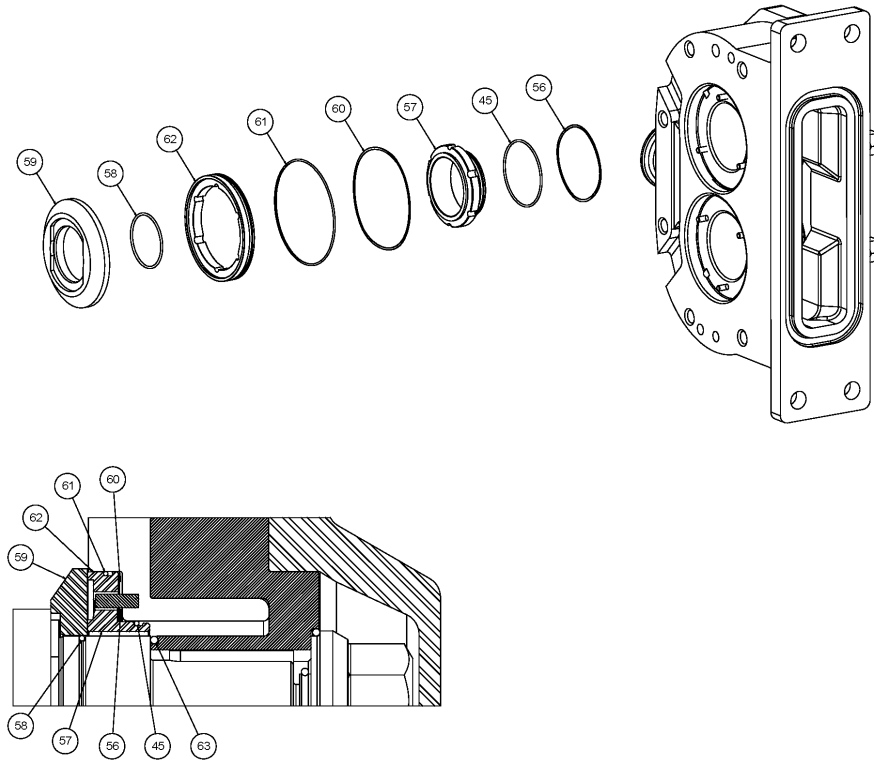
Ref #	Component Item No.	Description	Qty Per
47	V70235	O-RING, ROTOR NUT (VITON) - ZP2 180/184/220/224	2
48	<b>N70122</b>	<b>O-RING, RETAINER (BUNA) - ZP2 180/220/224</b>	<b>2</b>
	<i>E70122</i>	<i>O-RING, RETAINER (EPDM) - ZP2 180/220/224</i>	<i>2</i>
	<i>V70122</i>	<i>O-RING, RETAINER (VITON) - ZP2 180/220/224</i>	<i>2</i>
49	<b>P2GX101694</b>	<b>BELLEVILLE WASHER, SS - ZP2 180/220/224</b>	<b>2</b>
50	<b>P2SX101807</b>	<b>ROTOR NUT - ZP2 180/220/224</b>	<b>2</b>
51	<b>N70381</b>	<b>O-RING, COVER (BUNA) - ZP2 180/184/220/224</b>	<b>1</b>
	<i>E70381</i>	<i>O-RING, COVER (EPDM) - ZP2 180/184/220/224</i>	<i>1</i>
	<i>V70381</i>	<i>O-RING, COVER (VITON) - ZP2 180/184/220/224</i>	<i>1</i>
52	<b>P2CVR101851</b>	<b>COVER - ZP2 180/184/220/224</b>	<b>1</b>
	<i>P2CVR107670</i>	<i>COVER, JACKETED - ZP2 180/184/220/224</i>	<i>1</i>
53	<b>P1SX108372</b>	<b>COVER HEX NUT - ZP1 &amp; ZP2 180/220/224</b>	<b>8</b>
	<i>P1GX105853</i>	<i>WING NUT - ZP1 &amp; ZP2 180/220/224</i>	<i>8</i>
55	<b>P1SX230SPLATE</b>	<b>BEARING RETAINER SPLASH PLATE - ZP1 &amp; ZP2 180/220/224</b>	<b>2</b>



**Single Mechanical Seal**

*Optional Items Shown in ITALICS*

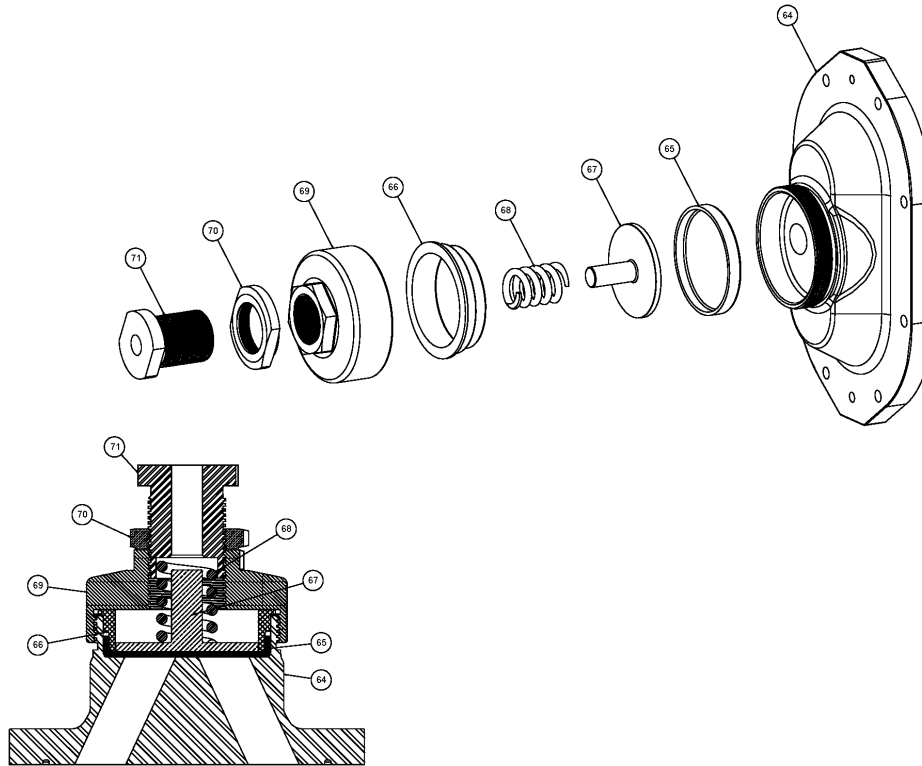
Ref #	Component Item No.	Description	Qty Per
45	<b>N70041</b>	<b>O-RING, INNER SEAL (BUNA) - ZP2 180/184/220/224</b>	<b>2</b>
	<i>E70041</i>	<i>O-RING, INNER SEAL (EPDM) - ZP2 180/184/220/224</i>	2
	<i>V70041</i>	<i>O-RING, INNER SEAL (VITON) - ZP2 180/184/220/224</i>	2
56	<b>P2GS101689</b>	<b>INNER SEAL WAVE SPRING - ZP2 180/184/220/224</b>	<b>2</b>
57	<b>P2GS101665</b>	<b>INNER SEAL (C) ZP2 180/184/220/224</b>	<b>2</b>
	<i>P2GS101664</i>	<i>INNER SEAL (K) - ZP2 180/184/220/224</i>	2
	<i>P2GS101663</i>	<i>INNER SEAL (N) - ZP2 180/184/220/224</i>	2
58	<b>N70145</b>	<b>O-RING, SHAFT (BUNA) - ZP2 180/184/220/224</b>	<b>2</b>
	<i>E70145</i>	<i>O-RING, SHAFT (EPDM) - ZP2 180/184/220/224</i>	2
	<i>V70145</i>	<i>O-RING, SHAFT (VITON) - ZP2 180/184/220/224</i>	2
59	<b>P2GS101677</b>	<b>SEAL SEAT (C) ZP2 180/184/220/224</b>	<b>2</b>
	<i>P2GS101676</i>	<i>SEAL SEAT (K) ZP2 180/184/220/224</i>	2
63	<b>N70230</b>	<b>O-RING, ROTOR HUB (BUNA) - ZP2 180/184/220/224</b>	<b>2</b>
	<i>E70230</i>	<i>O-RING, ROTOR HUB (EPDM) - ZP2 180/184/220/224</i>	2
	<i>V70230</i>	<i>O-RING, ROTOR HUB (VITON) - ZP2 180/184/220/224</i>	2



**Double Mechanical Seal**

*Optional Items Shown in ITALICS*

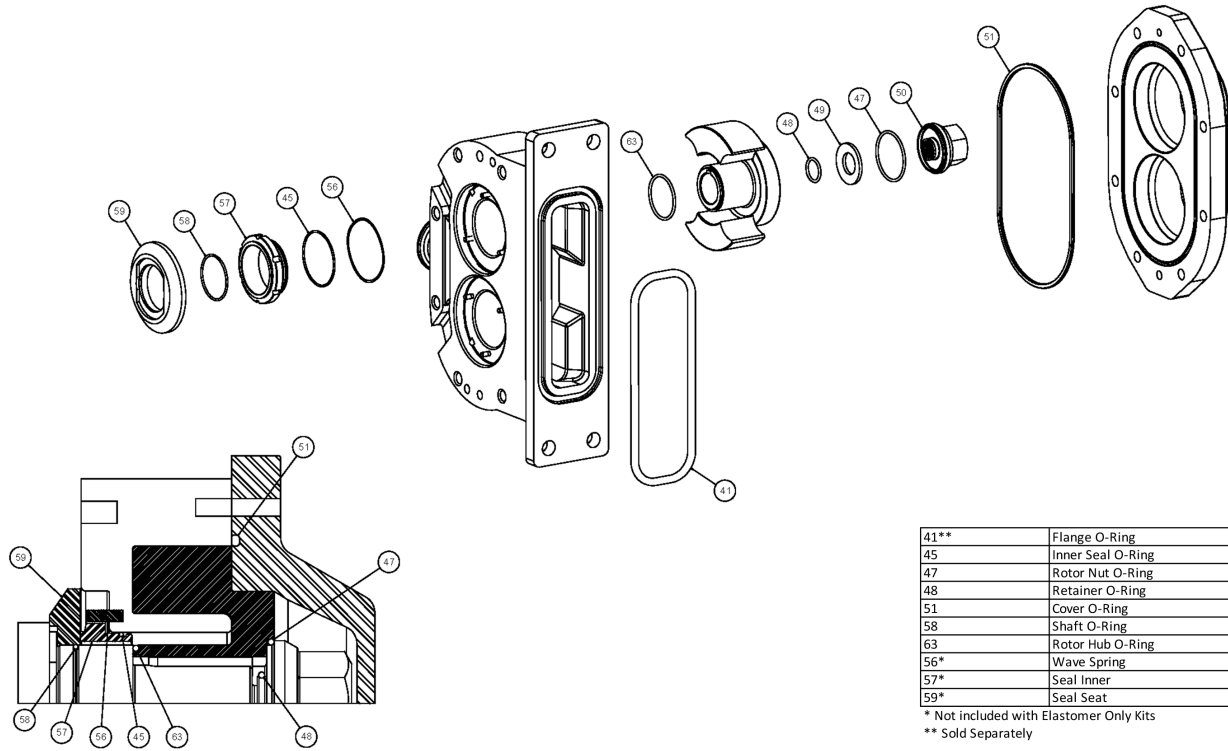
Ref #	Component Item No.	Description	Qty Per
45	<b>N70041</b>	<b>O-RING, INNER SEAL (BUNA) - ZP2 180/184/220/224</b>	<b>2</b>
	<i>E70041</i>	<i>O-RING, INNER SEAL (EPDM) - ZP2 180/184/220/224</i>	2
	<i>V70041</i>	<i>O-RING, INNER SEAL (VITON) - ZP2 180/184/220/224</i>	2
56	<b>P2GS101689</b>	<b>INNER SEAL WAVE SPRING - ZP2 180/184/220/224</b>	<b>2</b>
57	<b>P2GS101665</b>	<b>INNER SEAL (C) ZP2 180/184/220/224</b>	<b>2</b>
	<i>P2GS101664</i>	<i>INNER SEAL (K) - ZP2 180/184/220/224</i>	2
	<i>P2GS101663</i>	<i>INNER SEAL (N) - ZP2 180/184/220/224</i>	2
58	<b>N70145</b>	<b>O-RING, SHAFT (BUNA) - ZP2 180/184/220/224</b>	<b>2</b>
	<i>E70145</i>	<i>O-RING, SHAFT (EPDM) - ZP2 180/184/220/224</i>	2
	<i>V70145</i>	<i>O-RING, SHAFT (VITON) - ZP2 180/184/220/224</i>	2
59	<b>P2GS101677</b>	<b>SEAL SEAT (C) ZP2 180/184/220/224</b>	<b>2</b>
	<i>P2GS101676</i>	<i>SEAL SEAT (K) ZP2 180/184/220/224</i>	2
60	<b>P2GS101690</b>	<b>OUTER SEAL WAVE SPRING - ZP2 220/224</b>	<b>2</b>
61	<b>N70046</b>	<b>O-RING, OUTER SEAL (BUNA) - ZP2 180/184/220/224</b>	<b>2</b>
	<i>E70046</i>	<i>O-RING, OUTER SEAL (EPDM) - ZP2 180/184/220/224</i>	2
	<i>V70046</i>	<i>O-RING, OUTER SEAL (VITON) - ZP2 180/184/220/224</i>	2
62	<b>P2GS101682</b>	<b>OUTER SEAL (N) ZP2 180/220/224</b>	<b>2</b>
63	<b>N70230</b>	<b>O-RING, ROTOR HUB (BUNA) - ZP2 180/184/220/224</b>	<b>2</b>
	<i>E70230</i>	<i>O-RING, ROTOR HUB (EPDM) - ZP2 180/184/220/224</i>	2
	<i>V70230</i>	<i>O-RING, ROTOR HUB (VITON) - ZP2 180/184/220/224</i>	2



**Pressure Relief Cover**

*Optional Items Shown in ITALICS*

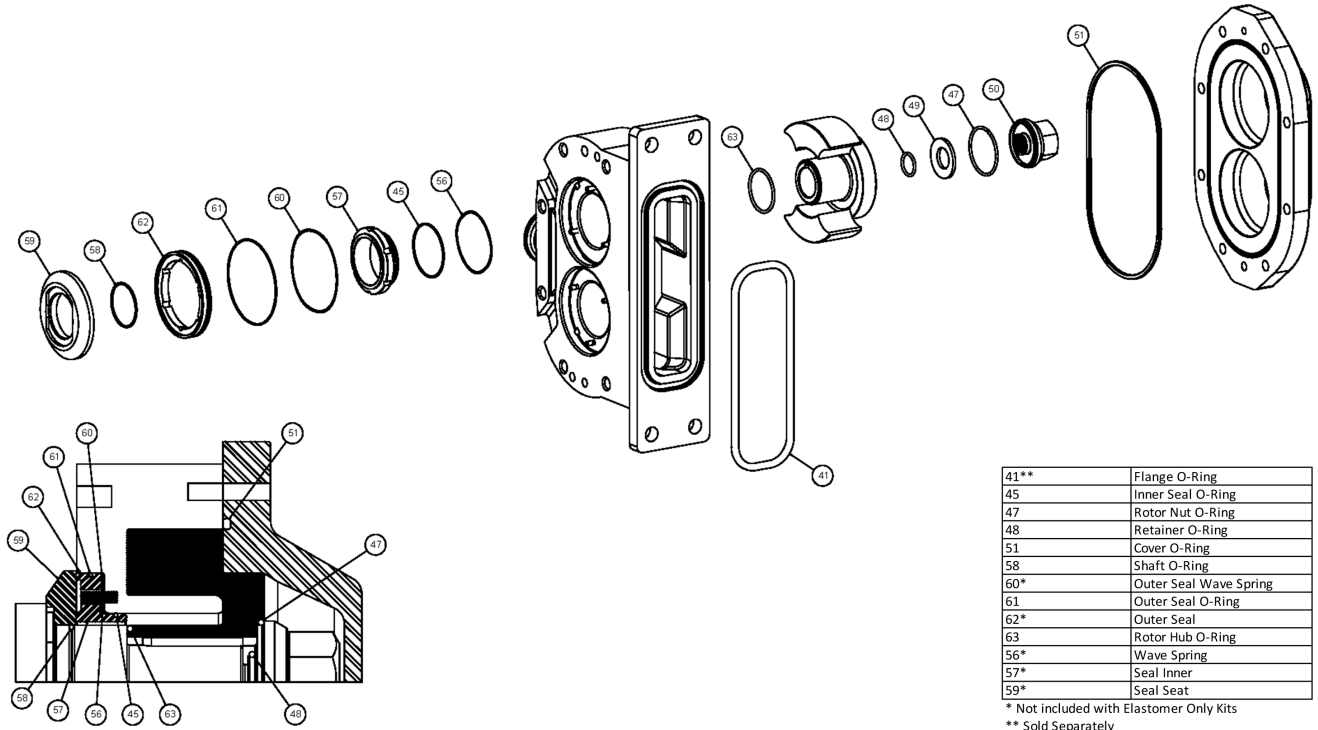
Ref #	Component Item No.	Description	Qty Per
64	P2CVR103672	VENTED FRONT COVER, ZP2 - 180/184/220/224	1
65	P1GXGD0078000	RUBBER DIAPHRAGM, BUNA, ZP1 & ZP2 & ZP3 - 180/184/220/224	1
	<i>P1GXGD0078V00</i>	<i>RUBBER DIAPHRAGM, VITON, ZP1 &amp; ZP2 &amp; ZP3 -180/184/220/224</i>	1
66	P1SXGD0077000	DIAPHRAGM BUSHING, ZP1 & ZP2 & ZP3 - 180/184/220/224	1
67	P1SXGD0073000	SPRING PLUNGER, ZP1 & ZP2 & ZP3 - 180/184/220/224	1
68	P1SX113400	SPRING, MEDIUM, (LESS THAN 150 PSI), ZP1 & ZP2 & ZP3 - 180/184/220/224	1
	<i>P1SX113524</i>	<i>SPRING, HIGH, (MORE THAN 150 PSI), ZP1 &amp; ZP2 &amp; ZP3 - 180/184/220/224</i>	1
69	P1SXGD0075000	COVER NUT, ZP1 & ZP2 & ZP3 - 180/184/220/224	1
70	P1SXGD0074000	LOCKNUT, ZP1 & ZP2 & ZP3 - 60/64/130/134/180/184/220/224	1
71	P1SX113657	ADJUSTING SCREW, ZP1 & ZP2 & ZP3 - 60/64/130/134/180/184/220/224	1



**Single Mechanical Seal Kit**

*Optional Items Shown in ITALICS*

Ref #	Component Item No.	Description	Qty Per
1	<b>P2GX220000-N</b>	<b>SEAL KIT, SGL MECH, ELASTOMERS ONLY, BUNA - ZP2 180/184/220/224</b>	<b>1</b>
	<i>P2GX220000-E</i>	<i>SEAL KIT, SGL MECH, ELASTOMERS ONLY, EPDM - ZP2 180/184/220/224</i>	<i>1</i>
	<i>P2GX220000-V</i>	<i>SEAL KIT, SGL MECH, ELASTOMERS ONLY, VITON - ZP2 180/184/220/224</i>	<i>1</i>
2	<b>P2GS220000-N</b>	<b>SEAL KIT, SGL MECH, SC/CA, BUNA - ZP2 180/184/220/224</b>	<b>1</b>
	<i>P2GS220000-E</i>	<i>SEAL KIT, SGL MECH, SC/CA, EPDM - ZP2 180/184/220/224</i>	<i>1</i>
	<i>P2GS220000-V</i>	<i>SEAL KIT, SGL MECH, SC/CA, VITON - ZP2 180/184/220/224</i>	<i>1</i>
3	<b>P2GS220020-N</b>	<b>SEAL KIT, SGL MECH, CE/CA, BUNA - ZP2 180/184/220/224</b>	<b>1</b>
	<i>P2GS220020-E</i>	<i>SEAL KIT, SGL MECH, CE/CA, EPDM - ZP2 180/184/220/224</i>	<i>1</i>
	<i>P2GS220020-V</i>	<i>SEAL KIT, SGL MECH, CE/CA, VITON - ZP2 180/184/220/224</i>	<i>1</i>
5	<b>P2GS220010-N</b>	<b>SEAL KIT, SGL MECH, SC/SC, BUNA - ZP2 180/184/220/224</b>	<b>1</b>
	<i>P2GS220010-E</i>	<i>SEAL KIT, SGL MECH, SC/SC, EPDM - ZP2 180/184/220/224</i>	<i>1</i>
	<i>P2GS220010-V</i>	<i>SEAL KIT, SGL MECH, SC/SC, VITON - ZP2 180/184/220/224</i>	<i>1</i>
49	<b>P2GX101694</b>	<b>BELLEVILLE WASHER, SS - ZP2 180/220/224</b>	<b>2</b>
50	<b>P2SX101807</b>	<b>ROTOR NUT - ZP2 180/220/224</b>	<b>2</b>



41**	Flange O-Ring
45	Inner Seal O-Ring
47	Rotor Nut O-Ring
48	Retainer O-Ring
51	Cover O-Ring
58	Shaft O-Ring
60*	Outer Seal Wave Spring
61	Outer Seal O-Ring
62*	Outer Seal
63	Rotor Hub O-Ring
56*	Wave Spring
57*	Seal Inner
59*	Seal Seat

\* Not included with Elastomer Only Kits  
\*\* Sold Separately

**Double Mechanical Seal Kit**

*Optional Items Shown in ITALICS*

Ref #	Component Item No.	Description	Qty Per
1	<b>P2GX220200-N</b>	<b>SEAL KIT, DBL MECH, ELASTOMERS ONLY, BUNA - ZP2 180/184/220/224</b>	<b>1</b>
	<i>P2GX220200-E</i>	<i>SEAL KIT, DBL MECH, ELASTOMERS ONLY, EPDM - ZP2 180/184/220/224</i>	<i>1</i>
	<i>P2GX220200-V</i>	<i>SEAL KIT, DBL MECH, ELASTOMERS ONLY, VITON - ZP2 180/184/220/224</i>	<i>1</i>
2	<b>P2GS220200-N</b>	<b>SEAL KIT, DBL MECH, SC/CA/CA, BUNA - ZP2 180/184/220/224</b>	<b>1</b>
	<i>P2GS220200-E</i>	<i>SEAL KIT, DBL MECH, SC/CA/CA, EPDM - ZP2 180/184/220/224</i>	<i>1</i>
	<i>P2GS220200-V</i>	<i>SEAL KIT, DBL MECH, SC/CA/CA, VITON - ZP2 180/184/220/224</i>	<i>1</i>
3	<b>P2GS220220-N</b>	<b>SEAL KIT, DBL MECH, CE/CA/CA, BUNA - ZP2 180/184/220/224</b>	<b>1</b>
	<i>P2GS220220-E</i>	<i>SEAL KIT, DBL MECH, CE/CA/CA, EPDM - ZP2 180/184/220/224</i>	<i>1</i>
	<i>P2GS220220-V</i>	<i>SEAL KIT, DBL MECH, CE/CA/CA, VITON - ZP2 180/184/220/224</i>	<i>1</i>
4	<i>P2GS220230-E</i>	<i>SEAL KIT, DBL MECH, CE/CE/CA, EPDM - ZP2 180/184/220/224</i>	<i>1</i>
5	<b>P2GS220210-N</b>	<b>SEAL KIT, DBL MECH, SC/SC/CA, BUNA - ZP2 180/184/220/224</b>	<b>1</b>
	<i>P2GS220210-E</i>	<i>SEAL KIT, DBL MECH, SC/SC/CA, EPDM - ZP2 180/184/220/224</i>	<i>1</i>
	<i>P2GS220210-V</i>	<i>SEAL KIT, DBL MECH, SC/SC/CA, VITON - ZP2 180/184/220/224</i>	<i>1</i>
49	<b>P2GX101694</b>	<b>BELLEVILLE WASHER, SS - ZP2 180/220/224</b>	<b>2</b>
50	<b>P2SX101807</b>	<b>ROTOR NUT - ZP2 180/220/224</b>	<b>2</b>



**Exploded View**

*Optional Items Shown in ITALICS*

Ref #	Component Item No.	Description	Qty Per
1	P1GX30-50	GEAR CASE COVER BOLT - 3/8-16 X 3/4 HHCS (18-8 SS)	6
2	P1GX43-189	GEAR CASE COVER WASHER - 3/8 FLAT WASHER (18-8 SS)	6
3	P1GXSTD030004	OIL SEAL, GEAR CASE COVER -ZP2 210/214/320/324	1
4	P1SX40669	GEAR CASE COVER, SS - ZP2 210/214/320/324	1
5	P1GXOH1236000	GEAR LOCKNUT - ZP2 210/214/320/324	2
6	P1GXOH1136000	GEAR LOCKWASHER - ZP2 210/214/320/324	2
7	P1GX320007001	GEAR DRIVE SHAFT - ZP2 210/214/320/324	1
8	P1GX320007002	GEAR SHORT SHAFT - ZP2 210/214/320/324	1
9	P1GXOH1037000	GEAR KEY - ZP2 210/214/320/324	2
10	P1GX102475	OIL SEAL REAR - ZP2 210/214/320/324	2
11	P2SX105478	GEAR CASE, SS - ZP2 & ZP3 210/214/320/324	1
12	P1GX115798	PLUG,HEX,20M X1.5,W/NBR SEAL	5
13	P1GX115799	GAUGE,OIL,LVL,INDIC,M-20X1.5	1
14	P1GX70PLUG-SS	CLEAN OUT PLUG, SS - ZP1 & ZP2 45/60/64/130/134	4
	<i>P1GX70PLUG</i>	<i>CLEAN OUT PLUG, YELLOW - ZP1 &amp; ZP2 45/60/64/130/134</i>	4
16	P1GXBD0092001	GREASE FITTING, THREADED 1/4"-28 TAPER, SS	8
17	P1SX40288	GEAR CASE BASE, SS - ZP2 210/214/320/324	1
18	P1GX30-250	SHCS, G. CASE BASE, (18-8 SS) 1/2-13 X 1.75" ZP2 210/214/320/324	4
19	P1GX111291	STUD, LONG, ZP2 320/324	4
	P1GX111292	STUD, SHORT, ZP2 320/324	4
20	P1GXOH1116000	DOWEL BUSHING - ZP2 210/214/320/324	2
21	P1GX105871	DOWEL PIN, GEAR BOX SIDE - ZP2 210/214/320/324	2
22	P1GXOH1116000	DOWEL BUSHING - ZP2 210/214/320/324	2
23	P1GX105871	DOWEL PIN, GEAR BOX SIDE - ZP2 210/214/320/324	2
24	P2SX320CEGUARD	GUARD,210/214/320/324,(CE),GC,SS	2
25	P1GXEYEBOLT-SS	EYE BOLT,60-224,SS	3
26	P1GX000CENAIL	DRIVENAIL,ZP,GEAR CASE GUARDS	4



**Exploded View**

*Optional Items Shown in ITALICS*

Ref #	Component Item No.	Description	Qty Per
27	P1GX102474	GEAR TO REAR BEARING SPACER - ZP2 210/214/320/324	2
28	P1GXOH1036000	REAR BEARING - ZP2 210/214/320/324	2
29	P1GX102472	BEARING SPACER, THICK - ZP2 210/214/320/324	2
	P1GX102473	BEARING SPACER, THIN - ZP2 210/214/320/324	2
30	P1GX117893	SHIM KIT - ZP2 210/214/320/324	2
31	P1GXOH1036003	FRONT BEARING - ZP2 210/214/320/324	2
32	P1GX000037005	DRIVE KEY, 5/8" SQ. X 2" - ZP1 & ZP2 320/324	1
33	P2SX108417	DRIVE SHAFT (17-4PH) - ZP2 320/324	1
34	P2SX108418	SHORT SHAFT (17-4PH) - ZP2 320/324	1
35	P2SX105421	ROTOR KEY - ZP2 320/324	1
36	P1SXOH1080000	BEARING RETAINER - ZP2 210/214/320/324	2
37	P1GXSTD030002	GREASE SEAL FRONT BEARING RET. - ZP1 & ZP2 320/324	2
38	P1GX30-343	BEARING RETAINER BOLT - 5/16-18 X 1 SHCS (18-8 SS)	8
39	P2BDY320001000	BODY - ZP2 320	1
40	P2GX102438	STOP PIN, SEAL	6
42	P1GXOH1040000	DOWEL PIN, COVER SIDE - ZP2 210/214/320/324	2
43	P1GXOH1040000	DOWEL PIN, COVER SIDE - ZP2 210/214/320/324	2
44	P1GX30-499	BODY RETAINING SCREW, 3/8-16 X 4.5" 18-8 SS - ZP2 320/324	2
45	N70154	O-RING, INNER SEAL (BUNA) - ZP2 210/214/320/324	2
	<i>E70154</i>	<i>O-RING, INNER SEAL (EPDM) - ZP2 210/214/320/324</i>	2
	<i>V70154</i>	<i>O-RING, INNER SEAL (VITON) - ZP2 210/214/320/324</i>	2
46	P2RTB320010000	ROTOR TWIN BLADE - ALLOY 88 - ZP2 320/324	2
47	N70237	O-RING, ROTOR NUT (BUNA) - ZP2 210/214/320/324	2
	<i>E70237</i>	<i>O-RING, ROTOR NUT (EPDM) - ZP2 210/214/320/324</i>	2
	<i>V70237</i>	<i>O-RING, ROTOR NUT (VITON) - ZP2 210/214/320/324</i>	2
48	N70125	O-RING, RETAINER (BUNA) - ZP2 210/214/320/324	2
	<i>E70125</i>	<i>O-RING, RETAINER (EPDM) - ZP2 210/214/320/324</i>	2



**Exploded View**

*Optional Items Shown in ITALICS*

Ref #	Component Item No.	Description	Qty Per
48	V70125	<i>O-RING, RETAINER (VITON) - ZP2 210/214/320/324</i>	2
49	P2GX105411	<b>BELLEVILLE WASHER, SS - ZP2 210/214/320/324</b>	2
50	P2SX105409	<b>ROTOR NUT - ZP2 210/214/320/324</b>	2
51	N70382	<b>O-RING, COVER (BUNA) - ZP2 210/214</b>	1
	<i>E70382</i>	<i>O-RING, COVER (VITON) - ZP2 210/214</i>	1
	<i>V70382</i>	<i>O-RING, COVER (EPDM) - ZP2 210/214</i>	1
52	P2CVR112864	<b>COVER - ZP2 210/214</b>	1
53	P1SX108373	<b>HEX NUT, COVER - ZP2 210/214/320/324</b>	8
	<i>P1GX110858</i>	<i>WING NUT, COVER - ZP2 210/214/320/324</i>	8
55	P1SX320SPLATE	<b>BEARING RETAINER SPLASH PLATE - ZP1 320/324</b>	2
	P1GX30-212	<b>CAPSCRW,HX,10-32X1/2,18-8SS</b>	8
	P1GX30-213	<b>WASHER,210/320,LOCK,10-32</b>	8



**Single Mechanical Seal**

*Optional Items Shown in ITALICS*

Ref #	Component Item No.	Description	Qty Per
35	P2SX105421	ROTOR KEY - ZP2 320/324	2
39	P2BDY320001000	BODY - ZP2 320	1
40	P2GX102438	STOP PIN, SEAL	6
45	N70154	O-RING, INNER SEAL (BUNA) - ZP2 210/214/320/324	2
	<i>E70154</i>	<i>O-RING, INNER SEAL (EPDM) - ZP2 210/214/320/324</i>	2
	<i>V70154</i>	<i>O-RING, INNER SEAL (VITON) - ZP2 210/214/320/324</i>	2
46	P2RTB320010000	ROTOR TWIN BLADE - ALLOY 88 - ZP2 320/324	2
47	N70237	O-RING, ROTOR NUT (BUNA) - ZP2 210/214/320/324	2
	<i>E70237</i>	<i>O-RING, ROTOR NUT (EPDM) - ZP2 210/214/320/324</i>	2
	<i>V70237</i>	<i>O-RING, ROTOR NUT (VITON) - ZP2 210/214/320/324</i>	2
48	N70125	O-RING, RETAINER (BUNA) - ZP2 210/214/320/324	2
	<i>E70125</i>	<i>O-RING, RETAINER (EPDM) - ZP2 210/214/320/324</i>	2
	<i>V70125</i>	<i>O-RING, RETAINER (VITON) - ZP2 210/214/320/324</i>	2
49	P2GX105411	BELLEVILLE WASHER, SS - ZP2 210/214/320/324	2
50	P2SX105409	ROTOR NUT - ZP2 210/214/320/324	2
56	P2GS105419	INNER SEAL WAVE SPRING - ZP2 210/214/320/324	2
57	P2GS105414	INNER SEAL (C) ZP2 210/214/320/324	2
	<i>P2GS105413</i>	<i>INNER SEAL (K) - ZP2 210/214/320/324</i>	2
	<i>P2GS105412</i>	<i>INNER SEAL (N) - ZP2 210/214/320/324</i>	2
58	N70149	O-RING, SHAFT (BUNA) - ZP2 210/214/320/324	2
	<i>E70149</i>	<i>O-RING, SHAFT (EPDM) - ZP2 210/214/320/324</i>	2
	<i>V70149</i>	<i>O-RING, SHAFT (VITON) - ZP2 210/214/320/324</i>	2
59	P2GS105417	SEAL SEAT (C) ZP2 210/214/320/324	2
	<i>P2GS105416</i>	<i>SEAL SEAT (K) ZP2 210/214/320/324</i>	2
63	N70232	O-RING, ROTOR HUB (BUNA) - ZP2 210/214/320/324	2
	<i>E70232</i>	<i>O-RING, ROTOR HUB (BUNA) - ZP2 210/214/320/324</i>	2
	<i>V70232</i>	<i>O-RING, ROTOR HUB (BUNA) - ZP2 210/214/320/324</i>	2



**Double Mechanical Seal**

*Optional Items Shown in ITALICS*

Ref #	Component Item No.	Description	Qty Per
35	P2SX105421	ROTOR KEY - ZP2 320/324	2
40	P2GX102438	STOP PIN, SEAL	6
45	N70154	O-RING, INNER SEAL (BUNA) - ZP2 210/214/320/324	2
	<i>E70154</i>	<i>O-RING, INNER SEAL (EPDM) - ZP2 210/214/320/324</i>	2
	<i>V70154</i>	<i>O-RING, INNER SEAL (VITON) - ZP2 210/214/320/324</i>	2
46	P2RTB320010000	ROTOR TWIN BLADE - ALLOY 88 - ZP2 320/324	2
47	N70237	O-RING, ROTOR NUT (BUNA) - ZP2 210/214/320/324	2
	<i>E70237</i>	<i>O-RING, ROTOR NUT (EPDM) - ZP2 210/214/320/324</i>	2
	<i>V70237</i>	<i>O-RING, ROTOR NUT (VITON) - ZP2 210/214/320/324</i>	2
48	N70125	O-RING, RETAINER (BUNA) - ZP2 210/214/320/324	2
	<i>E70125</i>	<i>O-RING, RETAINER (EPDM) - ZP2 210/214/320/324</i>	2
	<i>V70125</i>	<i>O-RING, RETAINER (VITON) - ZP2 210/214/320/324</i>	2
49	P2GX105411	BELLEVILLE WASHER, SS - ZP2 210/214/320/324	2
50	P2SX105409	ROTOR NUT - ZP2 210/214/320/324	2
56	P2GS105419	INNER SEAL WAVE SPRING - ZP2 210/214/320/324	2
57	P2GS105414	INNER SEAL (C) ZP2 210/214/320/324	2
	<i>P2GS105413</i>	<i>INNER SEAL (K) - ZP2 210/214/320/324</i>	2
	<i>P2GS105412</i>	<i>INNER SEAL (N) - ZP2 210/214/320/324</i>	2
58	N70149	O-RING, SHAFT (BUNA) - ZP2 210/214/320/324	2
	<i>E70149</i>	<i>O-RING, SHAFT (EPDM) - ZP2 210/214/320/324</i>	2
	<i>V70149</i>	<i>O-RING, SHAFT (VITON) - ZP2 210/214/320/324</i>	2
59	P2GS105417	SEAL SEAT (C) ZP2 210/214/320/324	2
	<i>P2GS105416</i>	<i>SEAL SEAT (K) ZP2 210/214/320/324</i>	2
60	<i>P2GS105420</i>	<i>OUTER SEAL WAVE SPRING - ZP2 210/214/320/324</i>	2
61	N70160	O-RING, OUTER SEAL (BUNA) - ZP2 210/214/320/324	2
	<i>E70160</i>	<i>O-RING, OUTER SEAL (EPDM) - ZP2 210/214/320/324</i>	2
	<i>V70160</i>	<i>O-RING, OUTER SEAL (VITON) - ZP2 210/214/320/324</i>	2



**Double Mechanical Seal**

*Optional Items Shown in ITALICS*

Ref #	Component Item No.	Description	Qty Per
62	P2GS105418	OUTER SEAL (N) ZP2 210/214/320/324	2
63	N70232	O-RING, ROTOR HUB (BUNA) - ZP2 210/214/320/324	2
	<i>E70232</i>	<i>O-RING, ROTOR HUB (BUNA) - ZP2 210/214/320/324</i>	2
	<i>V70232</i>	<i>O-RING, ROTOR HUB (BUNA) - ZP2 210/214/320/324</i>	2



**Single Mechanical Seal Kit**

*Optional Items Shown in ITALICS*

Ref #	Component Item No.	Description	Qty Per
1	<b>P2GX320000-N</b>	<b>SEAL KIT, SGL MECH, ELASTOMERS ONLY, BUNA - ZP2 320/324</b>	<b>1</b>
	<i>P2GX320000-E</i>	<i>SEAL KIT, SGL MECH, ELASTOMERS ONLY, EPDM - ZP2 320/324</i>	<i>1</i>
	<i>P2GX320000-V</i>	<i>SEAL KIT, SGL MECH, ELASTOMERS ONLY, VITON - ZP2 320/324</i>	<i>1</i>
2	<b>P2GS320000-N</b>	<b>SEAL KIT, SGL MECH, SC/CA, BUNA - ZP2 320/324</b>	<b>1</b>
	<i>P2GS320000-E</i>	<i>SEAL KIT, SGL MECH, SC/CA, EPDM - ZP2 320/324</i>	<i>1</i>
	<i>P2GS320000-V</i>	<i>SEAL KIT, SGL MECH, SC/CA, VITON - ZP2 320/324</i>	<i>1</i>
3	<b>P2GS320020-N</b>	<b>SEAL KIT, SGL MECH, CE/CA, BUNA - ZP2 320/324</b>	<b>1</b>
	<i>P2GS320020-E</i>	<i>SEAL KIT, SGL MECH, CE/CA, EPDM - ZP2 320/324</i>	<i>1</i>
	<i>P2GS320020-V</i>	<i>SEAL KIT, SGL MECH, CE/CA, VITON - ZP2 320/324</i>	<i>1</i>
5	<b>P2GS320010-N</b>	<b>SEAL KIT, SGL MECH, SC/SC, BUNA - ZP2 320/324</b>	<b>1</b>
	<i>P2GS320010-E</i>	<i>SEAL KIT, SGL MECH, SC/SC, EPDM - ZP2 320/324</i>	<i>1</i>
	<i>P2GS320010-V</i>	<i>SEAL KIT, SGL MECH, SC/SC, VITON - ZP2 320/324</i>	<i>1</i>



**Double Mechanical Seal Kit**

*Optional Items Shown in ITALICS*

Ref #	Component Item No.	Description	Qty Per
1	<b>P2GX320200-N</b>	<b>SEAL KIT, DBL MECH, ELASTOMERS ONLY, BUNA - ZP2 320/324</b>	<b>1</b>
	<i>P2GX320200-E</i>	<i>SEAL KIT, DBL MECH, ELASTOMERS ONLY, EPDM - ZP2 320/324</i>	<i>1</i>
	<i>P2GX320200-V</i>	<i>SEAL KIT, DBL MECH, ELASTOMERS ONLY, VITON - ZP2 320/324</i>	<i>1</i>
2	<b>P2GS320200-N</b>	<b>SEAL KIT, DBL MECH, SC/CA/CA, BUNA - ZP2 320/324</b>	<b>1</b>
	<i>P2GS320200-E</i>	<i>SEAL KIT, DBL MECH, SC/CA/CA, EPDM - ZP2 320/324</i>	<i>1</i>
	<i>P2GS320200-V</i>	<i>SEAL KIT, DBL MECH, SC/CA/CA, VITON - ZP2 320/324</i>	<i>1</i>
3	<b>P2GS320220-N</b>	<b>SEAL KIT, DBL MECH, CE/CA/CA, BUNA - ZP2 320/324</b>	<b>1</b>
	<i>P2GS320220-E</i>	<i>SEAL KIT, DBL MECH, CE/CA/CA, EPDM - ZP2 320/324</i>	<i>1</i>
	<i>P2GS320220-V</i>	<i>SEAL KIT, DBL MECH, CE/CA/CA, VITON - ZP2 320/324</i>	<i>1</i>
5	<b>P2GS320210-N</b>	<b>SEAL KIT, DBL MECH, SC/SC/CA, BUNA - ZP2 320/324</b>	<b>1</b>
	<i>P2GS320210-E</i>	<i>SEAL KIT, DBL MECH, SC/SC/CA, EPDM - ZP2 320/324</i>	<i>1</i>
	<i>P2GS320210-V</i>	<i>SEAL KIT, DBL MECH, SC/SC/CA, VITON - ZP2 320/324</i>	<i>1</i>



**Exploded View**

*Optional Items Shown in ITALICS*

Ref #	Component Item No.	Description	Qty Per
1	P1GX30-50	GEAR CASE COVER BOLT - 3/8-16 X 3/4 HHCS (18-8 SS)	6
2	P1GX43-189	GEAR CASE COVER WASHER - 3/8 FLAT WASHER (18-8 SS)	6
3	P1GXSTD030004	OIL SEAL, GEAR CASE COVER -ZP2 210/214/320/324	1
4	P1SX40669	GEAR CASE COVER, SS - ZP2 210/214/320/324	1
5	P1GXOH1236000	GEAR LOCKNUT - ZP2 210/214/320/324	2
6	P1GXOH1136000	GEAR LOCKWASHER - ZP2 210/214/320/324	2
7	P1GX320007001	GEAR DRIVE SHAFT - ZP2 210/214/320/324	1
8	P1GX320007002	GEAR SHORT SHAFT - ZP2 210/214/320/324	1
9	P1GXOH1037000	GEAR KEY - ZP2 210/214/320/324	2
10	P1GX102475	OIL SEAL REAR - ZP2 210/214/320/324	2
11	P2SX105478	GEAR CASE, SS - ZP2 & ZP3 210/214/320/324	1
12	P1GX115798	PLUG,HEX,20M X1.5,W/NBR SEAL	5
13	P1GX115799	GAUGE,OIL,LVL,INDIC,M-20X1.5	1
14	P1GX70PLUG-SS	CLEAN OUT PLUG, SS - ZP1 & ZP2 45/60/64/130/134	4
	<i>P1GX70PLUG</i>	<i>CLEAN OUT PLUG, YELLOW - ZP1 &amp; ZP2 45/60/64/130/134</i>	4
16	P1GXBD0092001	GREASE FITTING, THREADED 1/4"-28 TAPER, SS	8
17	P1SX40288	GEAR CASE BASE, SS - ZP2 210/214/320/324	1
18	P1GX30-250	SHCS, G. CASE BASE, (18-8 SS) 1/2-13 X 1.75" ZP2 210/214/320/324	4
19	P1GX111291	STUD, LONG, ZP2 320/324	4
	P1GX111292	STUD, SHORT, ZP2 320/324	4
20	P1GXOH1116000	DOWEL BUSHING - ZP2 210/214/320/324	2
21	P1GX105871	DOWEL PIN, GEAR BOX SIDE - ZP2 210/214/320/324	2
22	P1GXOH1116000	DOWEL BUSHING - ZP2 210/214/320/324	2
23	P1GX105871	DOWEL PIN, GEAR BOX SIDE - ZP2 210/214/320/324	2
24	P2SX320CEGUARD	GUARD,210/214/320/324,(CE),GC,SS	2
25	P1GXEYEBOLT-SS	EYE BOLT,60-224,SS	3
26	P1GX000CENAIL	DRIVENAIL,ZP,GEAR CASE GUARDS	4



**Exploded View**

*Optional Items Shown in ITALICS*

Ref #	Component Item No.	Description	Qty Per
27	P1GX102474	GEAR TO REAR BEARING SPACER - ZP2 210/214/320/324	2
28	P1GXOH1036000	REAR BEARING - ZP2 210/214/320/324	2
29	P1GX102472	BEARING SPACER, THICK - ZP2 210/214/320/324	2
	P1GX102473	BEARING SPACER, THIN - ZP2 210/214/320/324	2
30	P1GX117893	SHIM KIT - ZP2 210/214/320/324	2
31	P1GXOH1036003	FRONT BEARING - ZP2 210/214/320/324	2
32	P1GX000037005	DRIVE KEY, 5/8" SQ. X 2" - ZP1 & ZP2 320/324	1
33	P2SX108417	DRIVE SHAFT (17-4PH) - ZP2 320/324	1
34	P2SX108418	SHORT SHAFT (17-4PH) - ZP2 320/324	1
35	P2SX105421	ROTOR KEY - ZP2 320/324	1
36	P1SXOH1080000	BEARING RETAINER - ZP2 210/214/320/324	2
37	P1GXSTD030002	GREASE SEAL FRONT BEARING RET. - ZP1 & ZP2 320/324	2
38	P1GX30-343	BEARING RETAINER BOLT - 5/16-18 X 1 SHCS (18-8 SS)	8
39	P2BDY320001000	BODY - ZP2 320	1
40	P2GX102438	STOP PIN, SEAL	6
41	N70378	O-RING, RECTANGULAR FLANGE (BUNA) - ZP2 324	1
	V70378	O-RING, RECTANGULAR FLANGE (VITON) - ZP2 324	1
42	P1GXOH1040000	DOWEL PIN, COVER SIDE - ZP2 210/214/320/324	2
43	P1GXOH1040000	DOWEL PIN, COVER SIDE - ZP2 210/214/320/324	2
44	P1GX30-499	BODY RETAINING SCREW, 3/8-16 X 4.5" 18-8 SS - ZP2 320/324	2
45	N70154	O-RING, INNER SEAL (BUNA) - ZP2 210/214/320/324	2
	E70154	O-RING, INNER SEAL (EPDM) - ZP2 210/214/320/324	2
	V70154	O-RING, INNER SEAL (VITON) - ZP2 210/214/320/324	2
46	P2RTB320010000	ROTOR TWIN BLADE - ALLOY 88 - ZP2 320/324	2
47	N70237	O-RING, ROTOR NUT (BUNA) - ZP2 210/214/320/324	2
	E70237	O-RING, ROTOR NUT (EPDM) - ZP2 210/214/320/324	2
	V70237	O-RING, ROTOR NUT (VITON) - ZP2 210/214/320/324	2



**Exploded View**

*Optional Items Shown in ITALICS*

Ref #	Component Item No.	Description	Qty Per
48	<b>N70125</b>	<b>O-RING, RETAINER (BUNA) - ZP2 210/214/320/324</b>	<b>2</b>
	<i>E70125</i>	<i>O-RING, RETAINER (EPDM) - ZP2 210/214/320/324</i>	<i>2</i>
	<i>V70125</i>	<i>O-RING, RETAINER (VITON) - ZP2 210/214/320/324</i>	<i>2</i>
49	<b>P2GX105411</b>	<b>BELLEVILLE WASHER, SS - ZP2 210/214/320/324</b>	<b>2</b>
50	<b>P2SX105409</b>	<b>ROTOR NUT - ZP2 210/214/320/324</b>	<b>2</b>
51	<b>N70382</b>	<b>O-RING, COVER (BUNA) - ZP2 210/214</b>	<b>1</b>
	<i>E70382</i>	<i>O-RING, COVER (VITON) - ZP2 210/214</i>	<i>1</i>
	<i>V70382</i>	<i>O-RING, COVER (EPDM) - ZP2 210/214</i>	<i>1</i>
52	<b>P2CVR112864</b>	<b>COVER - ZP2 210/214</b>	<b>1</b>
53	<b>P1SX108373</b>	<b>HEX NUT, COVER - ZP2 210/214/320/324</b>	<b>8</b>
	<i>P1GX110858</i>	<i>WING NUT, COVER - ZP2 210/214/320/324</i>	<i>8</i>
55	<b>P1SX320SPLATE</b>	<b>BEARING RETAINER SPLASH PLATE - ZP1 320/324</b>	<b>2</b>
	<b>P1GX30-212</b>	<b>CAPSCRW,HX,10-32X1/2,18-8SS</b>	<b>8</b>
	<b>P1GX30-213</b>	<b>WASHER,210/320,LOCK,10-32</b>	<b>8</b>



**Single Mechanical Seal**

*Optional Items Shown in ITALICS*

Ref #	Component Item No.	Description	Qty Per
35	P2SX105421	ROTOR KEY - ZP2 320/324	2
39	P2BDY324001000	BODY - ZP2 324	1
40	P2GX102438	STOP PIN, SEAL	6
45	N70154	O-RING, INNER SEAL (BUNA) - ZP2 210/214/320/324	2
	<i>E70154</i>	<i>O-RING, INNER SEAL (EPDM) - ZP2 210/214/320/324</i>	2
	<i>V70154</i>	<i>O-RING, INNER SEAL (VITON) - ZP2 210/214/320/324</i>	2
46	P2RTB320010000	ROTOR TWIN BLADE - ALLOY 88 - ZP2 320/324	2
47	N70237	O-RING, ROTOR NUT (BUNA) - ZP2 210/214/320/324	2
	<i>E70237</i>	<i>O-RING, ROTOR NUT (EPDM) - ZP2 210/214/320/324</i>	2
	<i>V70237</i>	<i>O-RING, ROTOR NUT (VITON) - ZP2 210/214/320/324</i>	2
48	N70125	O-RING, RETAINER (BUNA) - ZP2 210/214/320/324	2
	<i>E70125</i>	<i>O-RING, RETAINER (EPDM) - ZP2 210/214/320/324</i>	2
	<i>V70125</i>	<i>O-RING, RETAINER (VITON) - ZP2 210/214/320/324</i>	2
49	P2GX105411	BELLEVILLE WASHER, SS - ZP2 210/214/320/324	2
50	P2SX105409	ROTOR NUT - ZP2 210/214/320/324	2
56	P2GS105419	INNER SEAL WAVE SPRING - ZP2 210/214/320/324	2
57	P2GS105414	INNER SEAL (C) ZP2 210/214/320/324	2
	<i>P2GS105413</i>	<i>INNER SEAL (K) - ZP2 210/214/320/324</i>	2
	<i>P2GS105412</i>	<i>INNER SEAL (N) - ZP2 210/214/320/324</i>	2
58	N70149	O-RING, SHAFT (BUNA) - ZP2 210/214/320/324	2
	<i>E70149</i>	<i>O-RING, SHAFT (EPDM) - ZP2 210/214/320/324</i>	2
	<i>V70149</i>	<i>O-RING, SHAFT (VITON) - ZP2 210/214/320/324</i>	2
59	P2GS105417	SEAL SEAT (C) ZP2 210/214/320/324	2
	<i>P2GS105416</i>	<i>SEAL SEAT (K) ZP2 210/214/320/324</i>	2
63	N70232	O-RING, ROTOR HUB (BUNA) - ZP2 210/214/320/324	2
	<i>E70232</i>	<i>O-RING, ROTOR HUB (BUNA) - ZP2 210/214/320/324</i>	2
	<i>V70232</i>	<i>O-RING, ROTOR HUB (BUNA) - ZP2 210/214/320/324</i>	2



**Double Mechanical Seal**

*Optional Items Shown in ITALICS*

Ref #	Component Item No.	Description	Qty Per
35	P2SX105421	ROTOR KEY - ZP2 320/324	2
40	P2GX102438	STOP PIN, SEAL	6
45	N70154	O-RING, INNER SEAL (BUNA) - ZP2 210/214/320/324	2
	<i>E70154</i>	<i>O-RING, INNER SEAL (EPDM) - ZP2 210/214/320/324</i>	2
	<i>V70154</i>	<i>O-RING, INNER SEAL (VITON) - ZP2 210/214/320/324</i>	2
46	P2RTB320010000	ROTOR TWIN BLADE - ALLOY 88 - ZP2 320/324	2
47	N70237	O-RING, ROTOR NUT (BUNA) - ZP2 210/214/320/324	2
	<i>E70237</i>	<i>O-RING, ROTOR NUT (EPDM) - ZP2 210/214/320/324</i>	2
	<i>V70237</i>	<i>O-RING, ROTOR NUT (VITON) - ZP2 210/214/320/324</i>	2
48	N70125	O-RING, RETAINER (BUNA) - ZP2 210/214/320/324	2
	<i>E70125</i>	<i>O-RING, RETAINER (EPDM) - ZP2 210/214/320/324</i>	2
	<i>V70125</i>	<i>O-RING, RETAINER (VITON) - ZP2 210/214/320/324</i>	2
49	P2GX105411	BELLEVILLE WASHER, SS - ZP2 210/214/320/324	2
50	P2SX105409	ROTOR NUT - ZP2 210/214/320/324	2
56	P2GS105419	INNER SEAL WAVE SPRING - ZP2 210/214/320/324	2
57	P2GS105414	INNER SEAL (C) ZP2 210/214/320/324	2
	<i>P2GS105413</i>	<i>INNER SEAL (K) - ZP2 210/214/320/324</i>	2
	<i>P2GS105412</i>	<i>INNER SEAL (N) - ZP2 210/214/320/324</i>	2
58	N70149	O-RING, SHAFT (BUNA) - ZP2 210/214/320/324	2
	<i>E70149</i>	<i>O-RING, SHAFT (EPDM) - ZP2 210/214/320/324</i>	2
	<i>V70149</i>	<i>O-RING, SHAFT (VITON) - ZP2 210/214/320/324</i>	2
59	P2GS105417	SEAL SEAT (C) ZP2 210/214/320/324	2
	<i>P2GS105416</i>	<i>SEAL SEAT (K) ZP2 210/214/320/324</i>	2
60	<i>P2GS105420</i>	<i>OUTER SEAL WAVE SPRING - ZP2 210/214/320/324</i>	2
61	N70160	O-RING, OUTER SEAL (BUNA) - ZP2 210/214/320/324	2
	<i>E70160</i>	<i>O-RING, OUTER SEAL (EPDM) - ZP2 210/214/320/324</i>	2
	<i>V70160</i>	<i>O-RING, OUTER SEAL (VITON) - ZP2 210/214/320/324</i>	2



**Double Mechanical Seal**

*Optional Items Shown in ITALICS*

<b>Ref #</b>	<b>Component Item No.</b>	<b>Description</b>	<b>Qty Per</b>
62	P2GS105418	<b>OUTER SEAL (N) ZP2 210/214/320/324</b>	<b>2</b>
63	<b>N70232</b>	<b>O-RING, ROTOR HUB (BUNA) - ZP2 210/214/320/324</b>	<b>2</b>
	<i>E70232</i>	<i>O-RING, ROTOR HUB (BUNA) - ZP2 210/214/320/324</i>	<i>2</i>
	<i>V70232</i>	<i>O-RING, ROTOR HUB (BUNA) - ZP2 210/214/320/324</i>	<i>2</i>



**Single Mechanical Seal Kit**

*Optional Items Shown in ITALICS*

<b>Ref #</b>	<b>Component Item No.</b>	<b>Description</b>	<b>Qty Per</b>
1	<b>P2GX320000-N</b>	<b>SEAL KIT, SGL MECH, ELASTOMERS ONLY, BUNA - ZP2 320/324</b>	<b>1</b>
	<i>P2GX320000-E</i>	<i>SEAL KIT, SGL MECH, ELASTOMERS ONLY, EPDM - ZP2 320/324</i>	<i>1</i>
	<i>P2GX320000-V</i>	<i>SEAL KIT, SGL MECH, ELASTOMERS ONLY, VITON - ZP2 320/324</i>	<i>1</i>
2	<b>P2GS320000-N</b>	<b>SEAL KIT, SGL MECH, SC/CA, BUNA - ZP2 320/324</b>	<b>1</b>
	<i>P2GS320000-E</i>	<i>SEAL KIT, SGL MECH, SC/CA, EPDM - ZP2 320/324</i>	<i>1</i>
	<i>P2GS320000-V</i>	<i>SEAL KIT, SGL MECH, SC/CA, VITON - ZP2 320/324</i>	<i>1</i>
3	<b>P2GS320020-N</b>	<b>SEAL KIT, SGL MECH, CE/CA, BUNA - ZP2 320/324</b>	<b>1</b>
	<i>P2GS320020-E</i>	<i>SEAL KIT, SGL MECH, CE/CA, EPDM - ZP2 320/324</i>	<i>1</i>
	<i>P2GS320020-V</i>	<i>SEAL KIT, SGL MECH, CE/CA, VITON - ZP2 320/324</i>	<i>1</i>
5	<b>P2GS320010-N</b>	<b>SEAL KIT, SGL MECH, SC/SC, BUNA - ZP2 320/324</b>	<b>1</b>
	<i>P2GS320010-E</i>	<i>SEAL KIT, SGL MECH, SC/SC, EPDM - ZP2 320/324</i>	<i>1</i>
	<i>P2GS320010-V</i>	<i>SEAL KIT, SGL MECH, SC/SC, VITON - ZP2 320/324</i>	<i>1</i>



**Double Mechanical Seal Kit**

*Optional Items Shown in ITALICS*

<b>Ref #</b>	<b>Component Item No.</b>	<b>Description</b>	<b>Qty Per</b>
1	<b>P2GX320200-N</b>	<b>SEAL KIT, DBL MECH, ELASTOMERS ONLY, BUNA - ZP2 320/324</b>	<b>1</b>
	<i>P2GX320200-E</i>	<i>SEAL KIT, DBL MECH, ELASTOMERS ONLY, EPDM - ZP2 320/324</i>	<i>1</i>
	<i>P2GX320200-V</i>	<i>SEAL KIT, DBL MECH, ELASTOMERS ONLY, VITON - ZP2 320/324</i>	<i>1</i>
2	<b>P2GS320200-N</b>	<b>SEAL KIT, DBL MECH, SC/CA/CA, BUNA - ZP2 320/324</b>	<b>1</b>
	<i>P2GS320200-E</i>	<i>SEAL KIT, DBL MECH, SC/CA/CA, EPDM - ZP2 320/324</i>	<i>1</i>
	<i>P2GS320200-V</i>	<i>SEAL KIT, DBL MECH, SC/CA/CA, VITON - ZP2 320/324</i>	<i>1</i>
3	<b>P2GS320220-N</b>	<b>SEAL KIT, DBL MECH, CE/CA/CA, BUNA - ZP2 320/324</b>	<b>1</b>
	<i>P2GS320220-E</i>	<i>SEAL KIT, DBL MECH, CE/CA/CA, EPDM - ZP2 320/324</i>	<i>1</i>
	<i>P2GS320220-V</i>	<i>SEAL KIT, DBL MECH, CE/CA/CA, VITON - ZP2 320/324</i>	<i>1</i>
5	<b>P2GS320210-N</b>	<b>SEAL KIT, DBL MECH, SC/SC/CA, BUNA - ZP2 320/324</b>	<b>1</b>
	<i>P2GS320210-E</i>	<i>SEAL KIT, DBL MECH, SC/SC/CA, EPDM - ZP2 320/324</i>	<i>1</i>
	<i>P2GS320210-V</i>	<i>SEAL KIT, DBL MECH, SC/SC/CA, VITON - ZP2 320/324</i>	<i>1</i>