

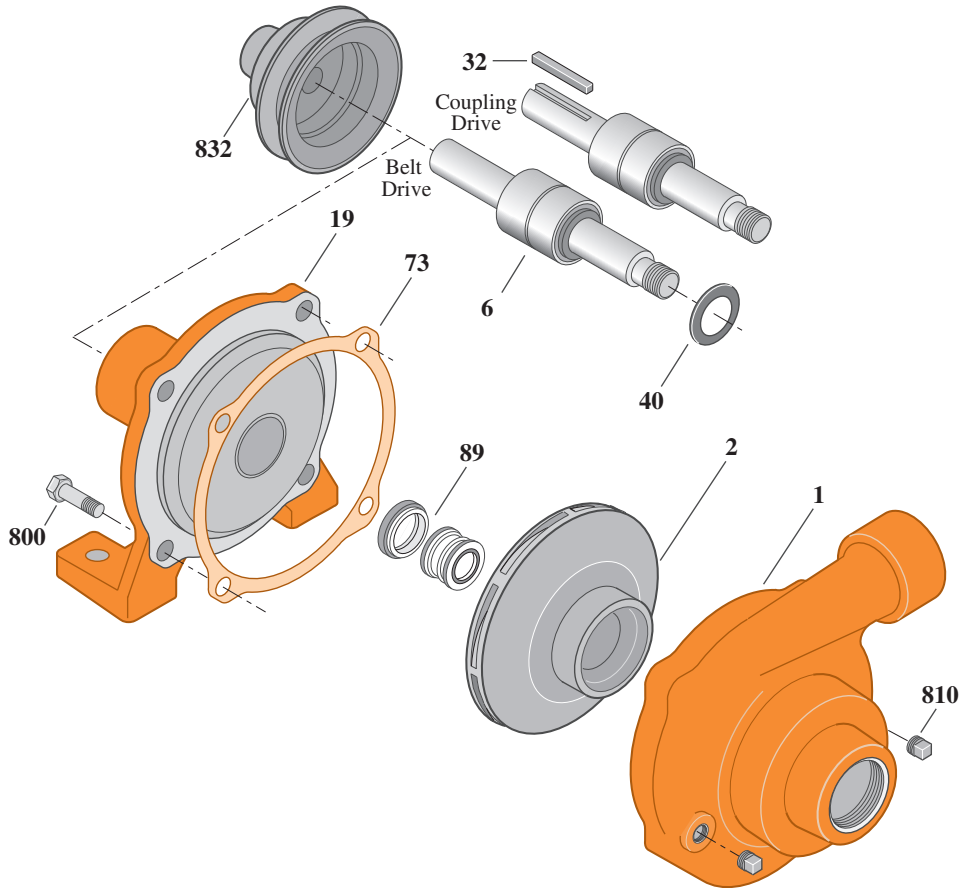
Type "B" Single Stage Centrifugal Pump Belt/Coupling Drive

Section	B/C
Page	10.1
Date	December 1, 2011
Supersedes 1/1/04	

CAST IRON IMPELLERB1MRS

Threaded Case (NPT)

Mechanical Shaft Seal Construction



Item	Part Description	Part Number
1	Case, Volute	L01131
2	Impeller	See Table I
6	Shaft Assembly	See Table I
19	Frame	M01856
40	Slinger, Water	S05222
32	Key, 3/16 x 1"	S24151
73	Gasket, Case	S05141
89	Seal, Mechanical Shaft	S05645
800	Capscrew, 3/8-16x3/4" (4 Req.)	S26824
810	Pipe Plug, 1/8" NPT (2 Req.)	S23714
832	Sheave	S05375

Table I

B/M No.	Drive Type	Shaft No.	Impeller	Impeller Diameter
B56413	Coupling - CCW	S30819	S05266	4.50"
B01838	Belt - CCW	S08164	S05266	4.50"



**Type "B" Single Stage
Centrifugal Pump
Belt/Coupling Drive**

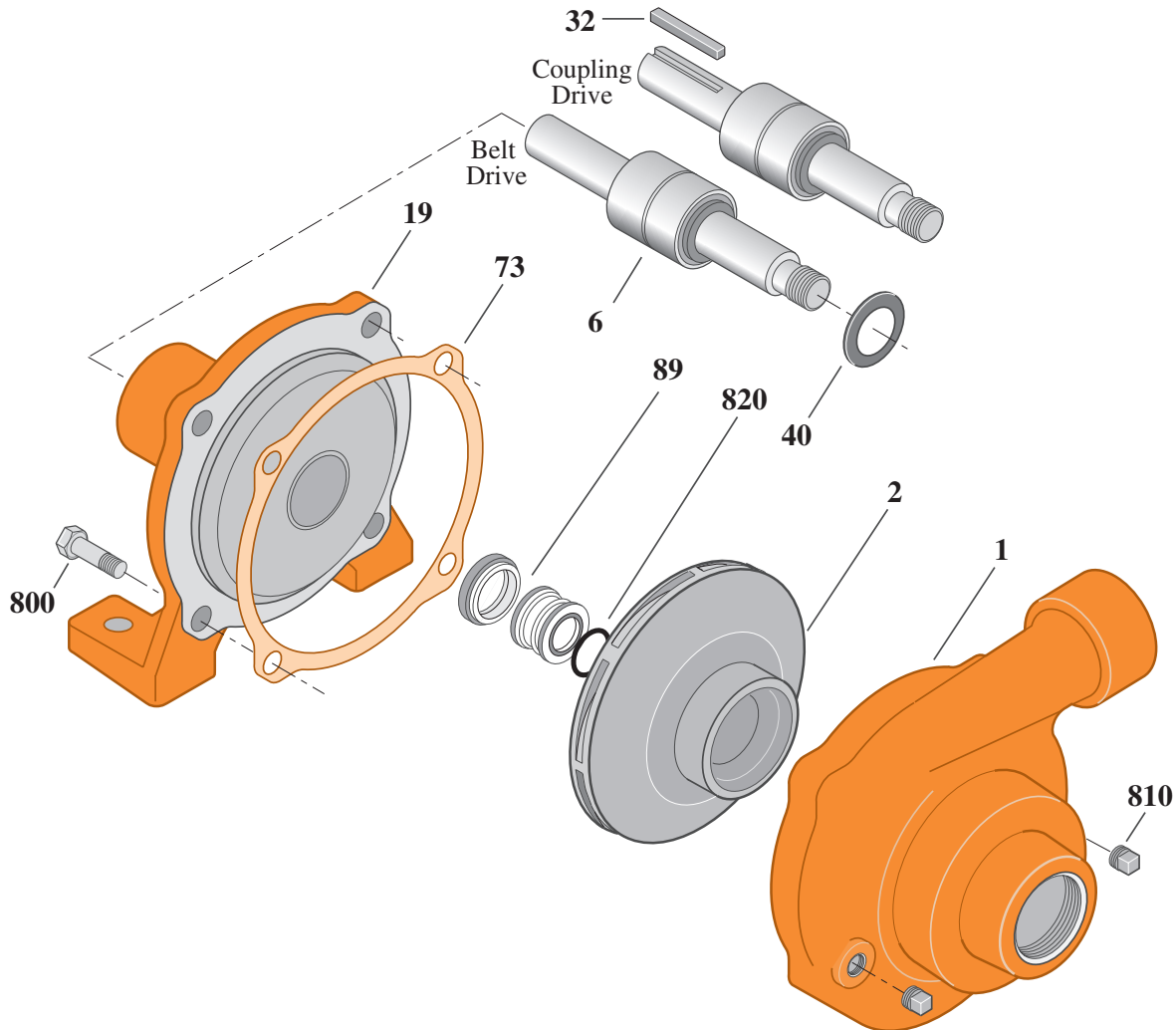
Section	B/C
Page	10.2
Date	May 1, 2011
Supersedes 1/1/04	

BRONZE IMPELLER

B1MRS

Threaded Case (NPT)

Mechanical Shaft Seal Construction



Item	Part Description	Part Number
1	Case, Volute	L01131
2	Impeller	See Table I
6	Shaft Assembly	See Table I
19	Frame	M01856
32	Key, 3/16 x 1"	S24151
40	Slinger, Water	S05222
73	Gasket, Case	S05141
89	Seal, Mechanical Shaft	S05645
800	Capscrew, 3/8-16x3/4" (4 rqd)	S26824
810	Pipe Plug, 1/8" NPT (2 rqd)	S23714
820	O-Ring	111M1640

Table I

B/M No.	Drive Type	Shaft No.	Impeller	Imp. Diameter.
B76019	Coupling - CCW	S30819	M11261	4.50