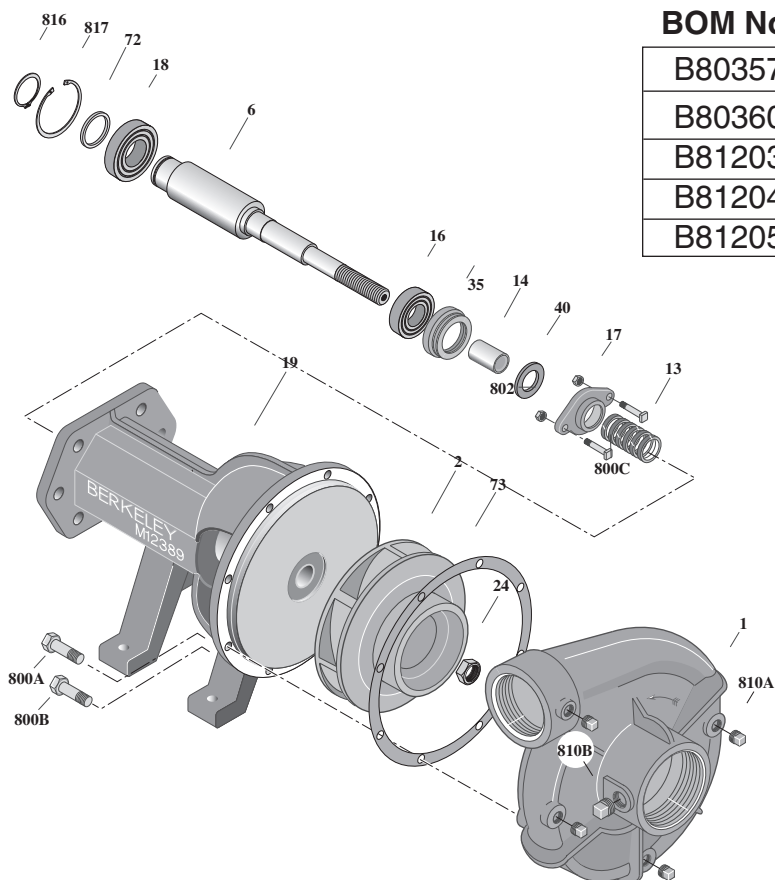


# Pump Nomenclature

## B3ZRM Bearing Frame Mount

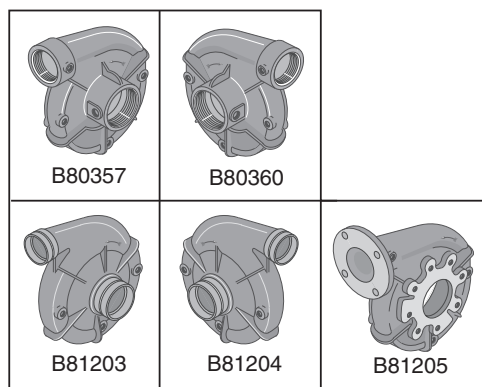
### Parts Breakdown



| BOM No. | Rotation | Volute | Connection |
|---------|----------|--------|------------|
| B80357  | CW       | H00689 | NPT        |
| B80360  | CCW      | H00698 | NPT        |
| B81203  | CW       | H04040 | Victaulic  |
| B81204  | CCW      | H04041 | Victaulic  |
| B81205  | CW       | H05130 | Flanged    |

### Replacement Shaft Kits

|        |     |
|--------|-----|
| B80519 | CW  |
| B80518 | CCW |



| Key No. | Part Description                                     | Qty. | Part Number |
|---------|--|------|-------------|
| 1       | Volute   | 1    | See Chart   |
| 2       | Impeller (Clockwise Rotation)                        | 1    | M13582      |
| 2       | Impeller (Counterclockwise Rotation)                 | 1    | M13583      |
| 6       | Shaft (Clockwise Rotation)                           | 1    | 1000000880* |
| 6       | Shaft (Counterclockwise Rotation)                    | 1    | 1000000879* |
| 13      | Packing Ring   | 6    | S08281      |
| 14      | Shaft Sleeve   | 1    | S05127*     |
| 16      | Single Row Ball Bearing - Small                      | 1    | M12395*     |
| 17      | Packing Gland  | 1    | S04948      |
| 18      | Single Row Ball Bearing - Large                      | 1    | M12394*     |
| 19      | Bracket  | 1    | M12389      |
| 24      | Impeller Nut (Clockwise Rotation)                    | 1    | M10220      |
| 24      | Impeller Nut (Counterclockwise Rotation – LH Thread) | 1    | U36-189SS   |
| 35      | Inner Bearing Cap                                    | 1    | S19033      |
| 40      | Slinger  | 1    | S12260      |
| 72      | Washer   | 1    | M12392*     |
| 73      | Volute Gasket  | 1    | S05126      |
| 800A    | 3/8-16x7/8" Lg. Hex Hd. Capscrew                     | 6    | S26825      |
| 800B    | 3/8-16x1-1/8" Lg. Hex Hd. Capscrew                   | 2    | S26827      |
| 800C    | 3/8-16 Sq. Hd. Machine Bolt                          | 2    | S23761      |
| 802     | 3/8-16 BRS Hex Nut                                   | 2    | S23343      |
| 810A    | 1/4" NPT Sq. Hd. Pipe Plug                           | 4    | S23715      |
| 810B    | 1/2" NPT Sq. Hd. Pipe Plug                           | 1    | S23717      |
| 816     | Bearing Retaining Ring                               | 1    | M12486*     |
| 817     | Shaft Retaining Ring                                 | 1    | M12487*     |

\* Items included in the Shaft Replacement Kit.