

BALDOR® • ***RELIANCE***

Product Information Packet

AFM3530

1.5HP,3450RPM,3PH,60HZ,143TZ,3424M,TEAO

Part Detail							
Revision:	F	Status:	PRD/A	Change #:		Proprietary:	No
Type:	AC	Prod. Type:	3424M	Elec. Spec:	34WG0283	CD Diagram:	CD0005
Enclosure:	TEAO	Mfg Plant:		Mech. Spec:	34K954	Layout:	34LYK954
Frame:	143TZ	Mounting:	F1	Poles:	02	Created Date:	10-18-2007
Base:	RG	Rotation:	R	Insulation:	B	Eff. Date:	10-19-2016
Leads:	9#18 14" minimum Y					Replaced By:	
Literature:		Elec. Diagram:					

Nameplate NP1279L											
CAT.NO.	AFM3530										
SPEC.	34K954-0283G1										
HP	1.5										
VOLTS	208-230/460										
AMP	4.9-4.6/2.3										
RPM	3450										
FRAME	143TZ				HZ	60		PH	3		
SER.F.	1.15			CODE	L		DES	B		CL	B
NEMA-NOM-EFF	80			PF	74						
RATING	40C AMB-CONT										
CC								USABLE AT 208V	4.9		
DE	6205				ODE	6203					
ENCL	TEAO			SN							

Parts List		
Part Number	Description	Quantity
SA166388	SA 34K954-0283G1	1.000 EA
RA154766	RA 34K954-0283G1	1.000 EA
11XT0832G06	8-32 X 3/8 TY 23 TAPPING	1.000 EA
SP1000A01	TERM BOARD, MODEL 34 SW	1.000 EA
51XW0832A07	8-32 X .44, TAPTITE II, HEX WSHR SLTD SE	3.000 EA
MG1025C02	WILKOFASST SG, 787.105, TAN	0.014 GA
RM1001A01	GROMMET "MIDSTATES"	1.000 EA
34EP3204C01	SPL. FR. ENDPLATE 34L ENCL.	1.000 EA
HW5100A03SP	WAVY WASHER (W1543-017)	1.000 EA
34EP3904T01	PU ENDPLATE, MACH	1.000 EA
XY1032A02	10-32 HEX NUT DIRECTIONAL SERRATION	4.000 EA
HW2501D13	KEY, 3/16 SQ X 1.375	1.000 EA
HA7000A01	KEY RETAINER 7/8" DIA SHAFT	1.000 EA
34CB4501SP	TERMINAL BOX LID, STAMPED X (PLATED)	1.000 EA
34GS1005	GASKET, TERM PLATE LID	1.000 EA
51XW0832A07	8-32 X .44, TAPTITE II, HEX WSHR SLTD SE	2.000 EA
10XF0440S02	04-40 X 1/8 TYPE F HEX HD STAINLESS STIC	2.000 EA
HA3100A45	THRUBOLT 10-32 X 8.875	4.000 EA
MN416A01	TAG-INSTAL-MAINT no wire (1200/bx) 11/14	1.000 EA
LC0005E01	CONN.DIA./WARNING LABEL (LC0005/LB1119N)	1.000 EA
NP1279L	ALUM FARM DUTY UL CSA CC	1.000 EA
35PA1000	PKG GRP, PRINT PK1008A06	1.000 EA

Accessories		
Part Number	Description	Multiplier
35-8762	C FACE KIT	A8
35EP1604A01SP	D-FLANGE KIT	A8

AC Induction Motor Performance Data

Record # 33039 - Typical performance - not guaranteed values

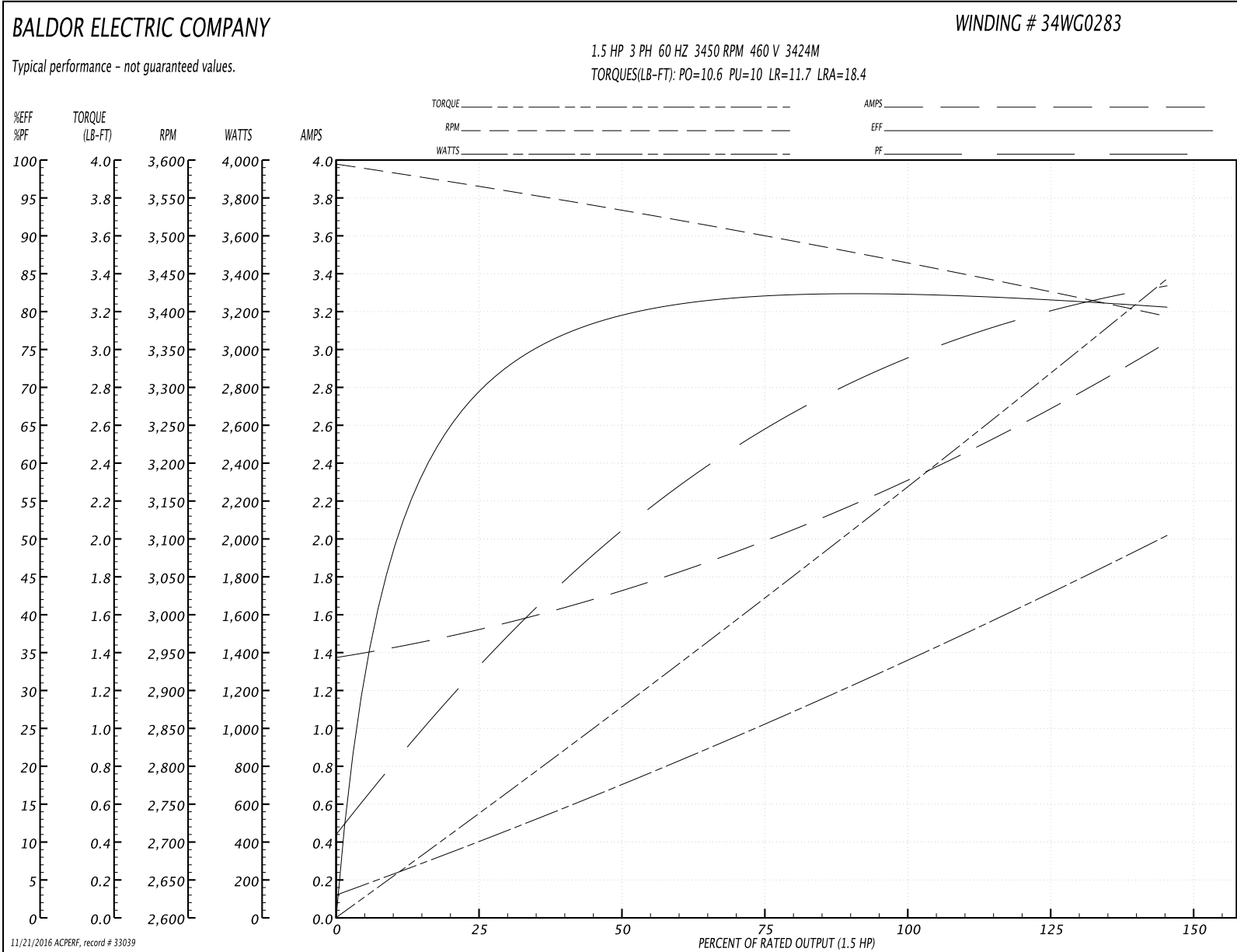
Winding: 34WG0283-R018	Type: 3424M	Enclosure: TEAO
-------------------------------	--------------------	------------------------

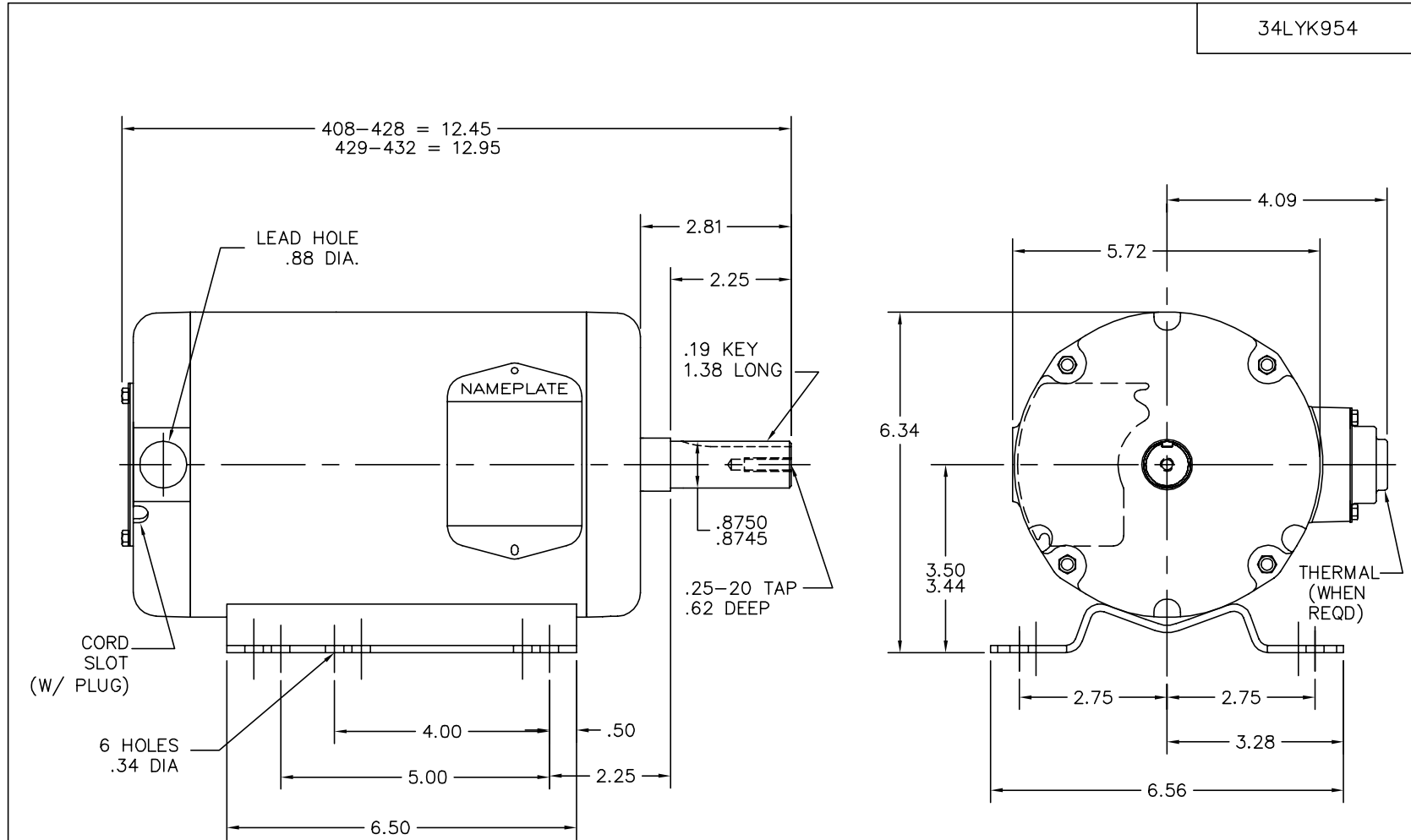
Nameplate Data				460 V, 60 Hz: High Voltage Connection	
Rated Output (HP)	1.5			Full Load Torque	2.25 LB-FT
Volts	208-230/460			Start Configuration	direct on line
Full Load Amps	4.9-4.6/2.3			Breakdown Torque	10.6 LB-FT
R.P.M.	3450			Pull-up Torque	10 LB-FT
Hz	60	Phase	3	Locked-rotor Torque	11.7 LB-FT
NEMA Design Code	B	KVA Code	L	Starting Current	18.4 A
Service Factor (S.F.)	1.15			No-load Current	1.4 A
NEMA Nom. Eff.	80	Power Factor	74	Line-line Res. @ 25°C	8.53 Ω
Rating - Duty	40C AMB-CONT			Temp. Rise @ Rated Load	71°C
S.F. Amps				Temp. Rise @ S.F. Load	83°C
				Locked-rotor Power Factor	67
				Rotor inertia	0.0223 LB-FT ²

Load Characteristics 460 V, 60 Hz, 1.5 HP

% of Rated Load	25	50	75	100	125	150	S.F.
Power Factor	39	57	68	76	81	84	79
Efficiency	70.7	79.6	81.8	82.3	81.7	80.6	81.9
Speed	3564	3533	3501	3466	3429	3394	3444
Line amperes	1.5	1.7	2	2.3	2.7	3	2.54

Performance Graph at 460V, 60Hz, 1.5HP Typical performance - Not guaranteed values





CUSTOMER IS RESPONSIBLE FOR DETERMINING THAT MOTOR PERFORMANCE IS SUITABLE IN THE APPLICATION.

REV. DESC: DEL "(W/PLUG)" FROM LEAD HOLE CALL OUT

REV. LTR: A

VERSION: 01

TDR: 000000487429

BALDOR • DODGE • RELIANCE

34LYK954

FILE: \AAA\00151\772

REVISED: 12:13:34 01/13/2009

HORZ MODEL 34M NEMA 143-5TZ TEAO W/ TERM. PANEL

MTL: -

BY: ENMARHO

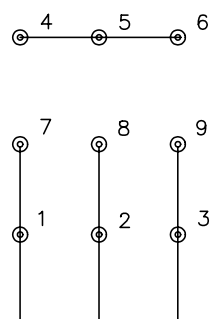
SH 1 of 1

34LYK954

CD0005

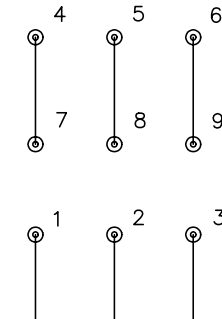


LOW VOLTAGE (2Y)



LINE

HIGH VOLTAGE (1Y)



LINE

NOTES:

1. INTERCHANGE ANY TWO LINE LEADS TO REVERSE ROTATION.
2. OPTIONAL THERMOSTATS ARE PROVIDED WHEN SPECIFIED.
3. ACTUAL NUMBER OF INTERNAL PARALLEL CIRCUITS MAY BE A MULTIPLE OF THOSE SHOWN ABOVE.
4. LEAD COLORS ARE OPTIONAL. LEADS MUST ALWAYS BE NUMBERED AS SHOWN.

REV. DESC: REVISE TO SHOW OPTIONAL COLORS			
REV. LTR: E	BY: JLP	REVISED: 01/19/99 10:15	TDR: 0171435
90000		FILE: AAA00005140	MDL: -
		MTL: -	

BALDOR ELECTRIC Co.

3PH, DV, 9 LEADS

CD0005