

# **BALDOR® • RELIANCE**

## **Product Information Packet**

# **CDP3310**

**.25HP, 1750RPM, DC, 56C, 3320P, TENV, F1**

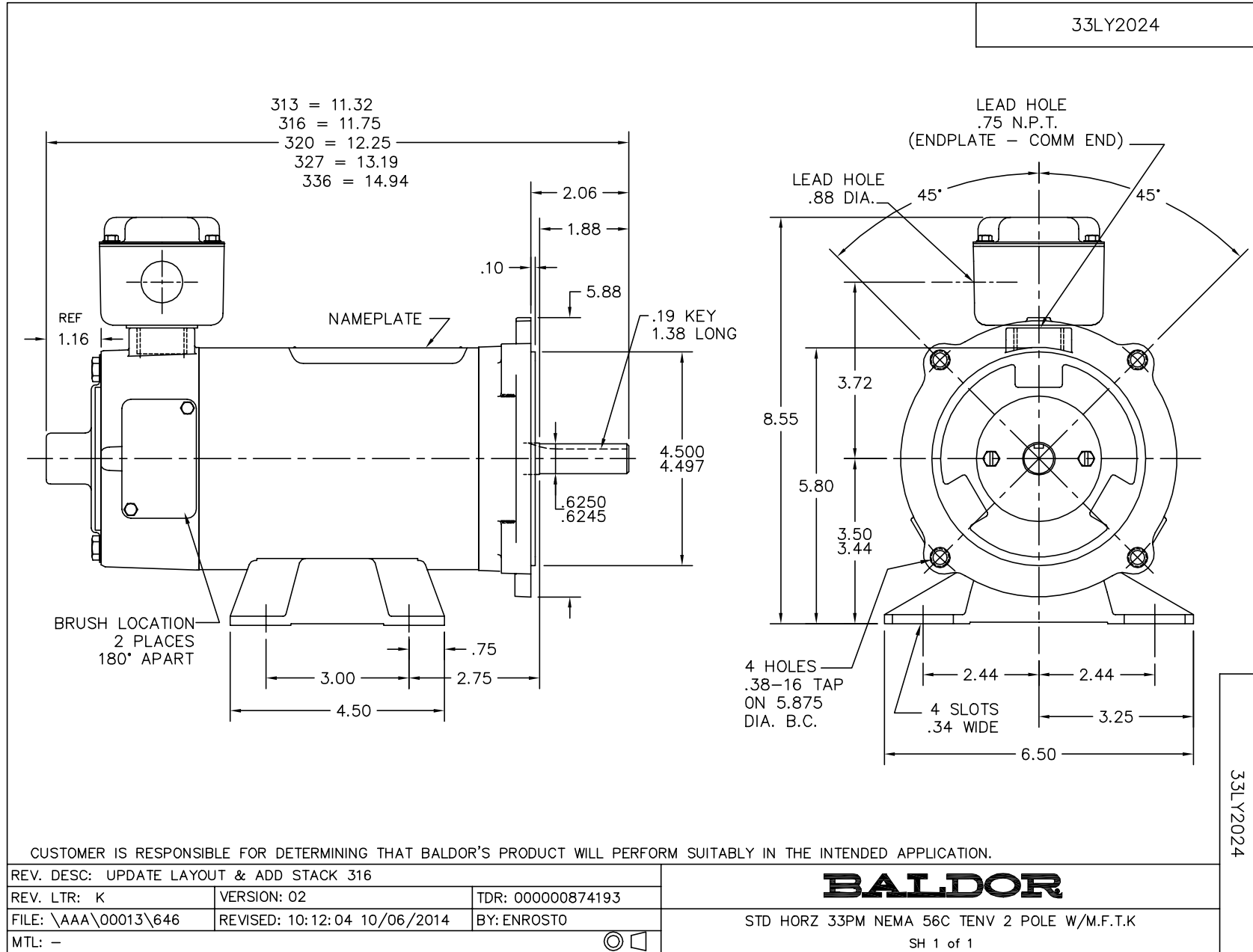
| Part Detail |      |             |       |                |          |               |            |
|-------------|------|-------------|-------|----------------|----------|---------------|------------|
| Revision:   | V    | Status:     | PRD/A | Change #:      |          | Proprietary:  | No         |
| Type:       | DC   | Prod. Type: |       | Elec. Spec:    | 33WGZ118 | CD Diagram:   | CD0194     |
| Enclosure:  | TENV | Mfg Plant:  |       | Mech. Spec:    | 33-2024  | Layout:       | 33LY2024   |
| Frame:      | 56C  | Mounting:   | F1    | Poles:         | ///      | Created Date: |            |
| Base:       | RG   | Rotation:   | R     | Insulation:    | F        | Eff. Date:    | 10-29-2015 |
| Field Type: |      | Literature: |       | Elec. Diagram: |          | Replaced By:  |            |

|                          |                            |          |                            |
|--------------------------|----------------------------|----------|----------------------------|
| <b>Nameplate NP0891L</b> |                            |          |                            |
| CAT.NO.                  | CDP3310                    |          |                            |
| SPEC.                    | 33-2024Z118                |          |                            |
| HP                       | .25                        | ENCL     | TENV                       |
| RPM                      | 1750                       |          |                            |
| FRAME                    | 56C                        | TYPE     | 3320P                      |
| ARM V                    | 90                         | ARM A    | 2.5                        |
| FLD V                    |                            | FLD A    |                            |
| INSUL                    | F                          | AMB.     | 40                         |
| DUTY                     | CONT                       | SUPPLY   | 1.3                        |
| BRG/DE                   | 6203                       | BRG/ODE  | 6203                       |
| BRUSHES                  | 2/BP5011T01                |          |                            |
| SER.                     |                            | BLANK    |                            |
| BLANK                    |                            |          |                            |
| APRV-CE                  | <input type="checkbox"/> Y | APRV-CSA | <input type="checkbox"/> Y |
|                          |                            | APRV-UL  | <input type="checkbox"/> Y |

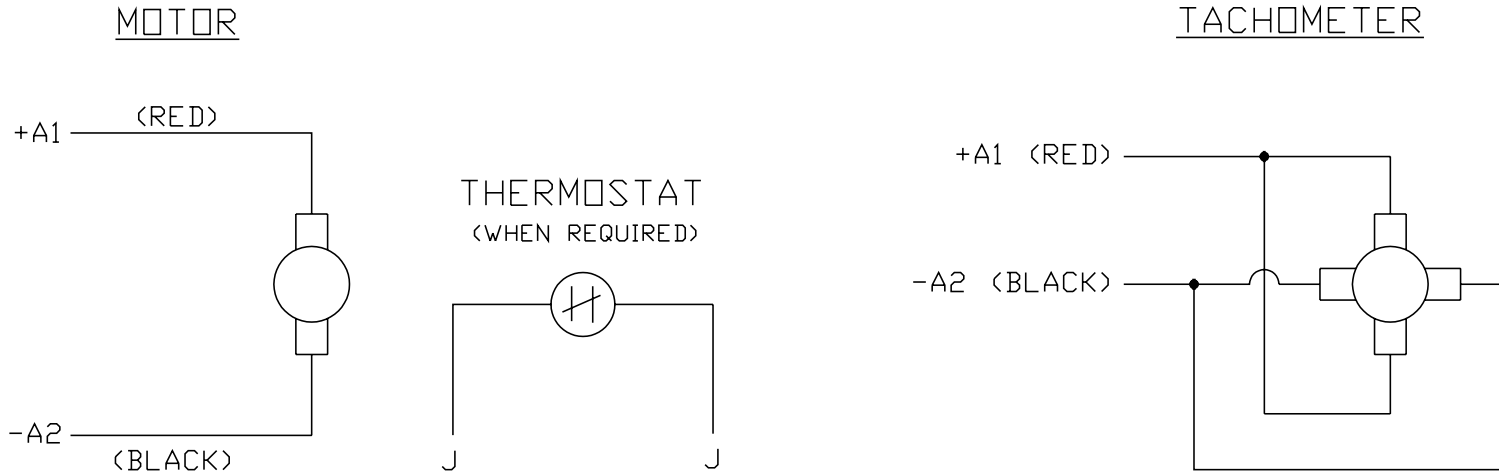
| Parts List    |  |          |
|---------------|--|----------|
| Part Number   | Description                              | Quantity |
| SA005023      | SA 33-2024Z118                           | 1.000 EA |
| AA002672      | AA 33-2024Z118                           | 1.000 EA |
| BP5011T01SP   | CARBON BRUSH - 33P, 90V                  | 1.000 EA |
| BP5012A04SP   | BRUSH SPRING FOR DC MOTORS               | 1.000 EA |
| 33CB5000A03   | 33P BOX & LEAD ASSY                      | 1.000 EA |
| 33GS1006A01   | GASKET CONDUIT BOX (LEXIDE)              | 1.000 EA |
| 51XT0832A08   | 8-32 X 1/2 TY23 HXWS SLDSR               | 3.000 EA |
| 51XW0832G07   | 8-32 X 7/16 TY23 HXWS SLDSR GR           | 1.000 EA |
| HW3001B01     | BRASS CUP WASHER, FOR #8 SCREW           | 1.000 EA |
| 51XW0832A07   | 8-32 X .44, TAPTITE II, HEX WSHR SLTD SE | 4.000 EA |
| 33EP3101A04   | FR ENDPLATE, MACH                        | 1.000 EA |
| 33CB4501A01SP | BRUSH INSPECTION COVER                   | 2.000 EA |
| 33GS1005A01   | GASKET, BRUSH INSP. COVERELECTRICLY NON- | 2.000 EA |
| 51XW0832A07   | 8-32 X .44, TAPTITE II, HEX WSHR SLTD SE | 4.000 EA |
| HW5100A03SP   | WAVY WASHER (W1543-017)                  | 1.000 EA |
| 33EP3302A10   | PU ENDPLATE, MACH                        | 1.000 EA |
| 51XN1032A20   | 10-32 X 1 1/4 HX WS SL SR                | 2.000 EA |
| HA6887        | SHAFT PROTECTOR STAMPED STEEL 20 GA.     | 1.000 EA |
| 10XN2520A06   | 1/4 20X3/8 HX HD CAP                     | 2.000 EA |
| 34CB4512      | 34 CB LID                                | 1.000 EA |
| 34GS1001      | GASKET, STD CONDUIT BOX LID (LEXIDE)     | 1.000 EA |
| 51XW0832A07   | 8-32 X .44, TAPTITE II, HEX WSHR SLTD SE | 4.000 EA |
| HW2501D13     | KEY, 3/16 SQ X 1.375                     | 1.000 EA |
| HA7000A04     | KEY RETAINER 0.625 DIA SHAFTS            | 1.000 EA |

| <b>Parts List (continued)</b> |  |                 |
|-------------------------------|--|-----------------|
| <b>Part Number</b>            | <b>Description</b>                       | <b>Quantity</b> |
| MG1000G27                     | MED CHARCOAL METALLIC GREY 400-0096      | 0.013 GA        |
| 10XF0440S02                   | 04-40 X 1/8 TYPE F HEX HD STAINLESS STIC | 2.000 EA        |
| 33RK5004SP                    | ROCKERARM                                | 1.000 EA        |
| HA3100S01                     | THRUBOLT- 10-32 X 8.187 302 OR 303 SS    | 2.000 EA        |
| LB1119N                       | WARNING LABEL                            | 1.000 EA        |
| LC0194                        | CONNECTION LABEL                         | 1.000 EA        |
| MN416A01                      | TAG-INSTAL-MAINT no wire (1200/bx) 11/14 | 1.000 EA        |
| NP0891L                       | NP STD LASER ENGRAVED DC MTRS, UL CSA CE | 1.000 EA        |
| 35PA1000                      | PKG GRP, PRINT PK1008A06                 | 1.000 EA        |

| <b>Accessories</b> |                                 |                   |
|--------------------|---------------------------------|-------------------|
| <b>Part Number</b> | <b>Description</b>              | <b>Multiplier</b> |
| TK3300             | TACHO MOUNTING KIT TK3300       | A8                |
| TK3300-HPU         | HPU10 MOUNTING KIT 33P/34P TENV |                   |



CD0194



NOTES:

1. CCW ROTATION AS SHOWN FACING COMMUTATOR END. TO REVERSE MOTOR ROTATION OR TACHOMETER OUTPUT POLARITY INTERCHANGE LEADS A1(RED) & A2(BLACK)
2. LEAD COLORS FOR REFERENCE ONLY & NOT SPECIFIED BY THIS DRAWING. LEAD COLORS SPECIFIED BY LAYOUT DRAWING & BILL OF MATERIAL ONLY.

|         |  |              |                   |
|---------|--|--------------|-------------------|
| MATL: - |  |              |                   |
| REV: E  | ADDED NOTE "LEAD COLORS FOR REFERENCE ONLY &..." |              |                   |
| CD0194  | SCALE: -   | BY: CK       | REVISED: 07/28/95 |
|         | FILE: AAA00004503                                | TDR: 0078737 |                   |

**BALDOR ELECTRIC Co.**

CD TYPE P DC PERMANENT MAGNET MOTORS AND TACHOMETERS

CD0194