

BALDOR® • ***RELIANCE***

Product Information Packet

CEM3112

.75HP,1730RPM,3PH,60HZ,56C,3516M,OPEN,F1

Part Detail							
Revision:	D	Status:	PRD/A	Change #:		Proprietary:	No
Type:	AC	Prod. Type:	3516M	Elec. Spec:	35WGN725	CD Diagram:	CD0005
Enclosure:	OPEN	Mfg Plant:		Mech. Spec:	35B012	Layout:	35LYB012
Frame:	56C	Mounting:	F1	Poles:	04	Created Date:	09-30-2014
Base:	RG	Rotation:	R	Insulation:	F	Eff. Date:	05-27-2016
Leads:	9#18					Replaced By:	
Literature:		Elec. Diagram:					

Nameplate NP3155L										
CAT.NO.	CEM31112									
SPEC.	35B012N725G1									
HP	.75									
VOLTS	230/460									
AMP	2/1									
RPM	1730									
FRAME	56C				HZ	60			PH	3
SER.F.	1.25		CODE	J	DES	B		CL	F	
F.L. AVG. EFF.	81.1		PF	84						
RATING	40C AMB-CONT									
CC								USABLE AT 208V	2.1	
DE	6205				ODE	6203				
ENCL	OPEN		SN							
	SFA 2.4/1.2									

Parts List		
Part Number	Description	Quantity
SA287877	SA 35B012N725G1	1.000 EA
RA274080	RA 35B012N725G1	1.000 EA
NS2512A01	INSULATOR, CONDUIT BOX X	1.000 EA
35CB3007	35 CB CASTING W/.88 DIA. LEAD HOLE	1.000 EA
51XB1016A07	10-16 X 7/16 HXWSSLD SERTYB	2.000 EA
11XW1032G06	10-32 X .38, TAPTITE II, HEX WSHR SLTD U	1.000 EA
35EP3201A03	STD FR EP OPEN-203BRG-35L OR M FRAME--LE	1.000 EA
HW5100A03SP	WAVY WASHER (W1543-017)	1.000 EA
35EP3400A13	STD FACE MTD END PLATE OPEN NEMA 56C 05	1.000 EA
35AD2000	AIR BAFFLE	1.000 EA
60XW0632A06	6-32 X 3/8 TORX HEAD SCREW TAPTITE II	4.000 EA
51XN1032A20	10-32 X 1 1/4 HX WS SL SR	2.000 EA
35CB4521	35 LIPPED CB LID (GALV & PHOSPH)	1.000 EA
51XW0832A07	8-32 X .44, TAPTITE II, HEX WSHR SLTD SE	4.000 EA
HW2501D13	KEY, 3/16 SQ X 1.375	1.000 EA
HA7000A04	KEY RETAINER 0.625 DIA SHAFTS	1.000 EA
85XU0407S04	4X1/4 U DRIVE PIN STAINLESS	2.000 EA
MJ1000A02	GREASE, POLYREX EM EXXON (USe 4824-15A)	0.050 LB
MG1000Y03	MUNSELL 2.53Y 6.70/ 4.60, GLOSS 20,	0.017 GA
HA3100A12	THRUBOLT 10-32 X 7.375	4.000 EA
LC0005E01	CONN.DIA./WARNING LABEL (LC0005/LB1119N)	1.000 EA
NP3155L	ALUM SUPER-E UL CSA CC "SEMS"	1.000 EA
35PA1066	PKG GRP, PRINT PK1008A06	1.000 EA
MN416A01	TAG-INSTAL-MAINT no wire (1200/bx) 11/14	1.000 EA

AC Induction Motor Performance Data

Record # 57228 - Typical performance - not guaranteed values

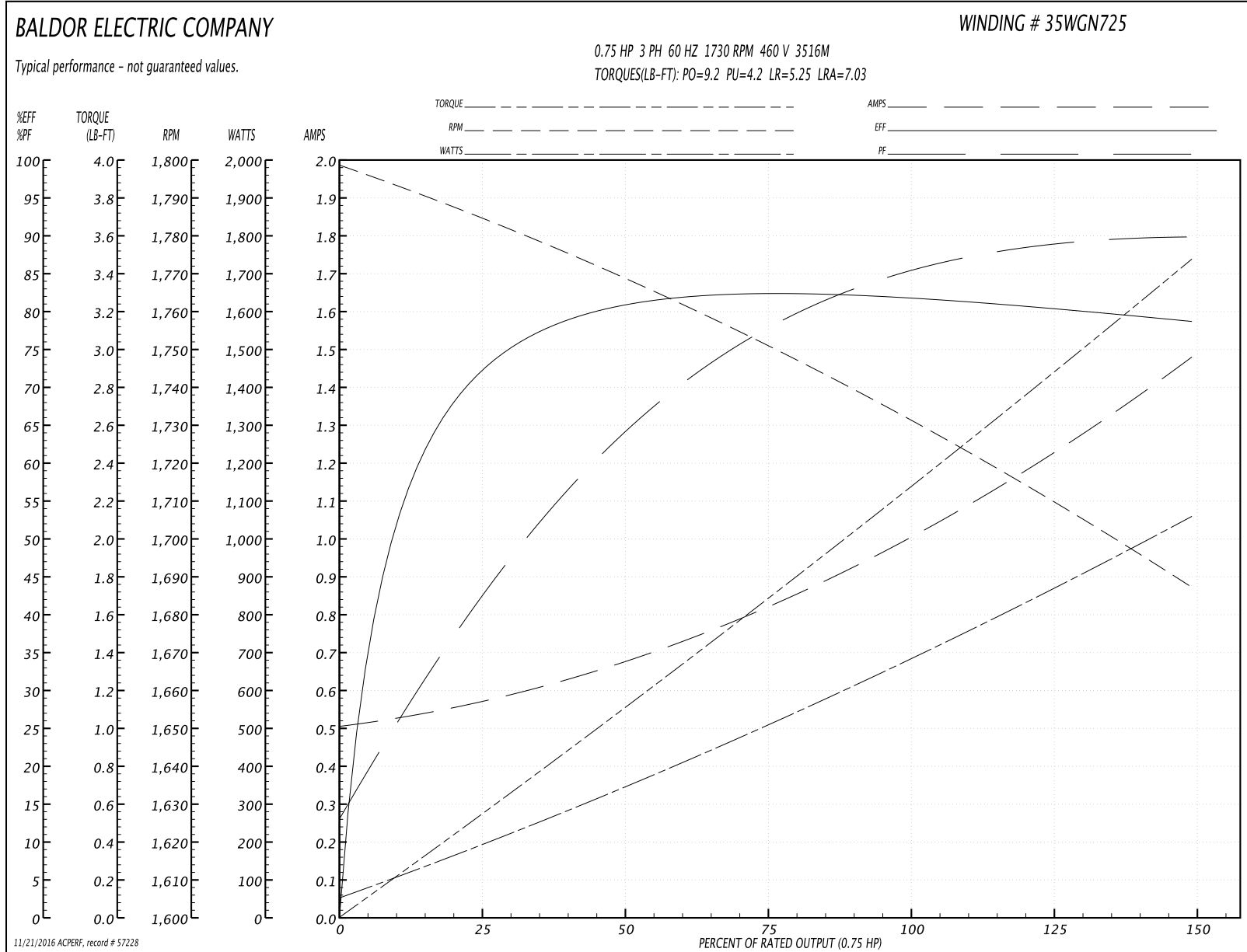
Winding: 35WGN725-R005	Type: 3516M	Enclosure: OPEN
-------------------------------	--------------------	------------------------

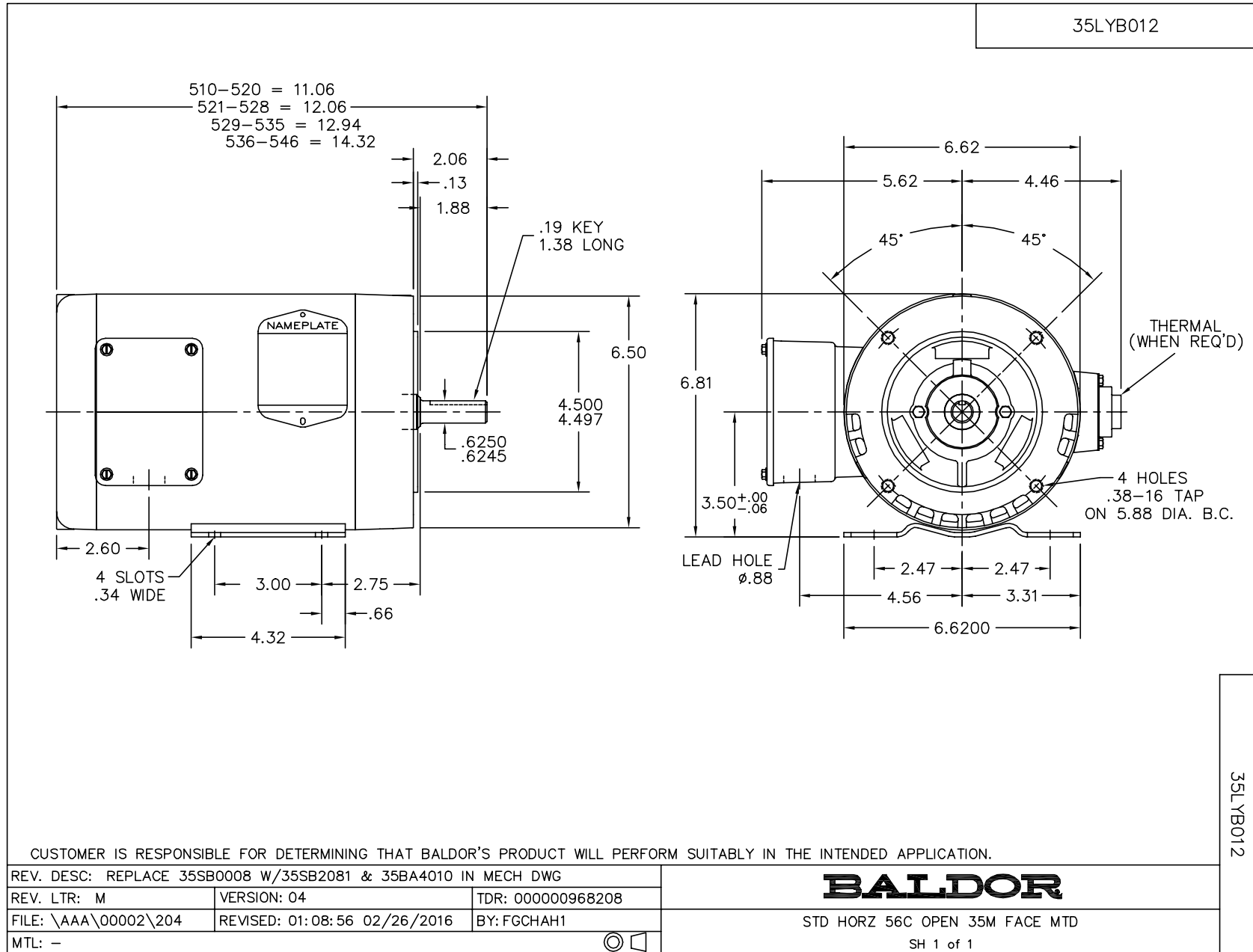
Nameplate Data				460 V, 60 Hz: High Voltage Connection	
Rated Output (HP)	.75			Full Load Torque	2.26 LB-FT
Volts	230/460			Start Configuration	direct on line
Full Load Amps	2/1			Breakdown Torque	9.2 LB-FT
R.P.M.	1730			Pull-up Torque	4.2 LB-FT
Hz	60	Phase	3	Locked-rotor Torque	5.25 LB-FT
NEMA Design Code	B	KVA Code	J	Starting Current	7.03 A
Service Factor (S.F.)	1.25			No-load Current	0.51 A
NEMA Nom. Eff.	81.1	Power Factor	84	Line-line Res. @ 25°C	32.1 Ω
Rating - Duty	40C AMB-CONT			Temp. Rise @ Rated Load	20°C
S.F. Amps	2.4/1.2			Temp. Rise @ S.F. Load	27°C
				Locked-rotor Power Factor	66.3
				Rotor inertia	0.0946 LB-FT ²

Load Characteristics 460 V, 60 Hz, 0.75 HP

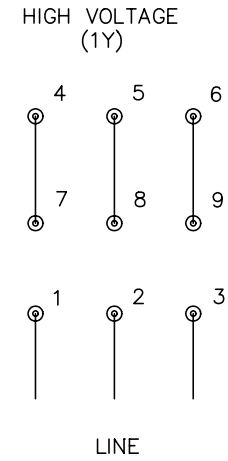
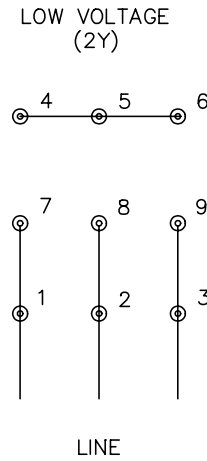
% of Rated Load	25	50	75	100	125	150	S.F.
Power Factor	44	66	77	84	89	90	89
Efficiency	71.8	80.6	82.3	82	80.8	78.6	80.8
Speed	1784	1768	1752	1732	1711	1687	1711
Line amperes	0.569	0.668	0.822	1.01	1.21	1.48	1.21

Performance Graph at 460V, 60Hz, 0.75HP Typical performance - Not guaranteed values





CD0005



- NOTES:
1. INTERCHANGE ANY TWO LINE LEADS TO REVERSE ROTATION.
 2. OPTIONAL THERMOSTATS ARE PROVIDED WHEN SPECIFIED.
 3. ACTUAL NUMBER OF INTERNAL PARALLEL CIRCUITS MAY BE A MULTIPLE OF THOSE SHOWN ABOVE.
 4. LEAD COLORS ARE OPTIONAL. LEADS MUST ALWAYS BE NUMBERED AS SHOWN.

REV. DESC: REVISE TO SHOW OPTIONAL COLORS			
REV. LTR: E	BY: JLP	REVISED: 01/19/99 10:15	TDR: 0171435
90000		FILE: AAA00005140	MDL: -
		MTL: -	

BALDOR ELECTRIC Co.

3PH, DV, 9 LEADS

CD0005