

# **BALDOR**® • **RELIANCE**

## **Product Information Packet**

# **CEM3586T**

**2HP,3490RPM,3PH,60HZ,143TC,0526M,TEFC,F1**

| Part Detail |       |                |       |             |          |               |            |
|-------------|-------|----------------|-------|-------------|----------|---------------|------------|
| Revision:   | L     | Status:        | PRD/A | Change #:   |          | Proprietary:  | No         |
| Type:       | AC    | Prod. Type:    | 0526M | Elec. Spec: | 05WGX117 | CD Diagram:   | CD0005     |
| Enclosure:  | TEFC  | Mfg Plant:     |       | Mech. Spec: | 05C052   | Layout:       | 05LYC052   |
| Frame:      | 143TC | Mounting:      | F1    | Poles:      | 02       | Created Date: | 07-14-2010 |
| Base:       | RG    | Rotation:      | R     | Insulation: | F        | Eff. Date:    | 10-16-2015 |
| Leads:      | 9#18  |                |       |             |          | Replaced By:  |            |
| Literature: |       | Elec. Diagram: |       |             |          |               |            |

| Nameplate NP1259L |              |  |  |  |  |      |      |  |     |    |   |                |   |
|-------------------|--------------|--|--|--|--|------|------|--|-----|----|---|----------------|---|
| CAT.NO.           | CEM3586T     |  |  |  |  |      |      |  |     |    |   |                |   |
| SPEC.             | 05C052X117E7 |  |  |  |  |      |      |  |     |    |   |                |   |
| HP                | 2            |  |  |  |  |      |      |  |     |    |   |                |   |
| VOLTS             | 208-230/460  |  |  |  |  |      |      |  |     |    |   |                |   |
| AMP               | 5.3-5/2.5    |  |  |  |  |      |      |  |     |    |   |                |   |
| RPM               | 3490         |  |  |  |  |      |      |  |     |    |   |                |   |
| FRAME             | 143TC        |  |  |  |  | HZ   | 60   |  |     | PH | 3 |                |   |
| SER.F.            | 1.15         |  |  |  |  | CODE | M    |  | DES | B  |   | CL             | F |
| NEMA-NOM-EFF      | 85.5         |  |  |  |  | PF   | 88   |  |     |    |   |                |   |
| RATING            | 40C AMB-CONT |  |  |  |  |      |      |  |     |    |   |                |   |
| CC                | 010A         |  |  |  |  |      |      |  |     |    |   | USABLE AT 208V |   |
| DE                | 6205         |  |  |  |  | ODE  | 6203 |  |     |    |   |                |   |
| ENCL              | TEFC         |  |  |  |  |      |      |  |     |    |   | SN             |   |
|                   |              |  |  |  |  |      |      |  |     |    |   |                |   |

| Parts List     |  |          |
|----------------|--|----------|
| Part Number    | Description                              | Quantity |
| SA200230       | SA 05C052X117E7                          | 1.000 EA |
| RA187548       | RA 05C052X117E7                          | 1.000 EA |
| S/P107-000-001 | SUPER E PROC'S-FS, WS & CK PLTS          | 1.000 EA |
| 05SF1100A01    | STATOR FRAME, MACH                       | 1.000 EA |
| HW3021G06      | .188X 5/8 ROLLED SPR PIN                 | 1.000 EA |
| 06CB3000       | BALDOR CONDUIT BOX CAST                  | 1.000 EA |
| 06GS1000       | GASKET,CONDUIT BOX                       | 1.000 EA |
| 51XW2520A12    | SCREW, HEX SER SLT HD, ZN, 1/4-20 X .75  | 2.000 EA |
| 11XW1032G06    | 10-32 X .38, TAPTITE II, HEX WSHR SLTD U | 1.000 EA |
| HW3001B01      | BRASS CUP WASHER, FOR #8 SCREW           | 1.000 EA |
| 35EP1100A02    | FR ENDPLATE, TEFC W/GREASER              | 1.000 EA |
| HW4500A01      | 1641B(ALEMITE)400 UNIV, GREASE FITT      | 1.000 EA |
| HW5100A03SP    | WAVY WASHER (W1543-017)                  | 1.000 EA |
| 35EP1329A01    | PU EP ENCL 143-5TC 205 BRG W/GRSR & STD  | 1.000 EA |
| HW4500A01      | 1641B(ALEMITE)400 UNIV, GREASE FITT      | 1.000 EA |
| 51XN1032A20    | 10-32 X 1 1/4 HX WS SL SR                | 2.000 EA |
| HA3100A28      | THRUBOLT 10-32 X 8.187                   | 4.000 EA |
| 51XB1214A16    | 12-14X1.00 HXWSSLD SERTYB                | 1.000 EA |
| 35FH4005A02    | IEC FH W/GREASER - W/PRIMER              | 1.000 EA |
| 51XW1032A06    | 10-32 X .38, TAPTITE II, HEX WSHR SLTD S | 3.000 EA |
| 06CB3500       | BALDOR CONDUIT BOX LID                   | 1.000 EA |
| 06GS1001       | BALDOR CONDUIT BOX GASKET                | 1.000 EA |
| 51XW2520A12    | .25-20 X .75, TAPTITE II, HEX WSHR SLTD  | 2.000 EA |
| HW2501D13      | KEY, 3/16 SQ X 1.375                     | 1.000 EA |

| <b>Parts List (continued)</b> |  |                 |
|-------------------------------|--|-----------------|
| <b>Part Number</b>            | <b>Description</b>                       | <b>Quantity</b> |
| HA7000A01                     | KEY RETAINER 7/8" DIA SHAFT              | 1.000 EA        |
| 85XU0407S04                   | 4X1/4 U DRIVE PIN STAINLESS              | 2.000 EA        |
| MJ1000A02                     | GREASE, POLYREX EM EXXON (USe 4824-15A)  | 0.050 LB        |
| 34FN3002B01                   | EXTERNAL FAN, PLASTIC, .637/.639 HUB W/  | 1.000 EA        |
| MG1000Y03                     | MUNSELL 2.53Y 6.70/ 4.60, GLOSS 20,      | 0.022 GA        |
| LC0005E01                     | CONN.DIA./WARNING LABEL (LC0005/LB1119N) | 1.000 EA        |
| NP1259L                       | ALUM SUPER-E UL CSA-EEV CC NEMA PREMIUM  | 1.000 EA        |
| 36PA1000                      | PKG GRP, PRINT PK1016A06                 | 1.000 EA        |
| MN416A01                      | TAG-INSTAL-MAINT no wire (1200/bx) 11/14 | 1.000 EA        |

**AC Induction Motor Performance Data**

Record # 31839 - Typical performance - not guaranteed values

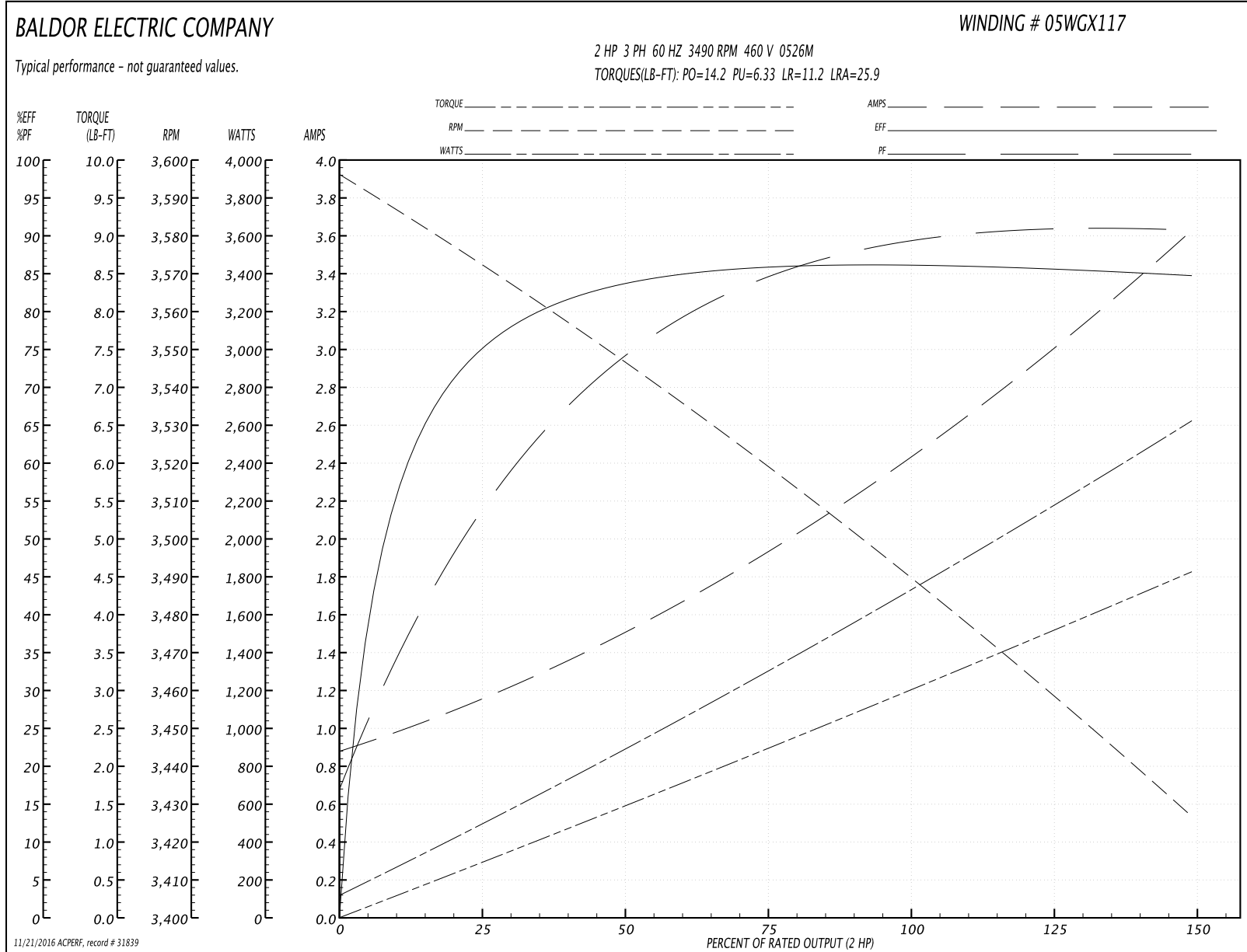
|                               |                    |                        |
|-------------------------------|--------------------|------------------------|
| <b>Winding:</b> 05WGX117-R001 | <b>Type:</b> 0526M | <b>Enclosure:</b> TEFC |
|-------------------------------|--------------------|------------------------|

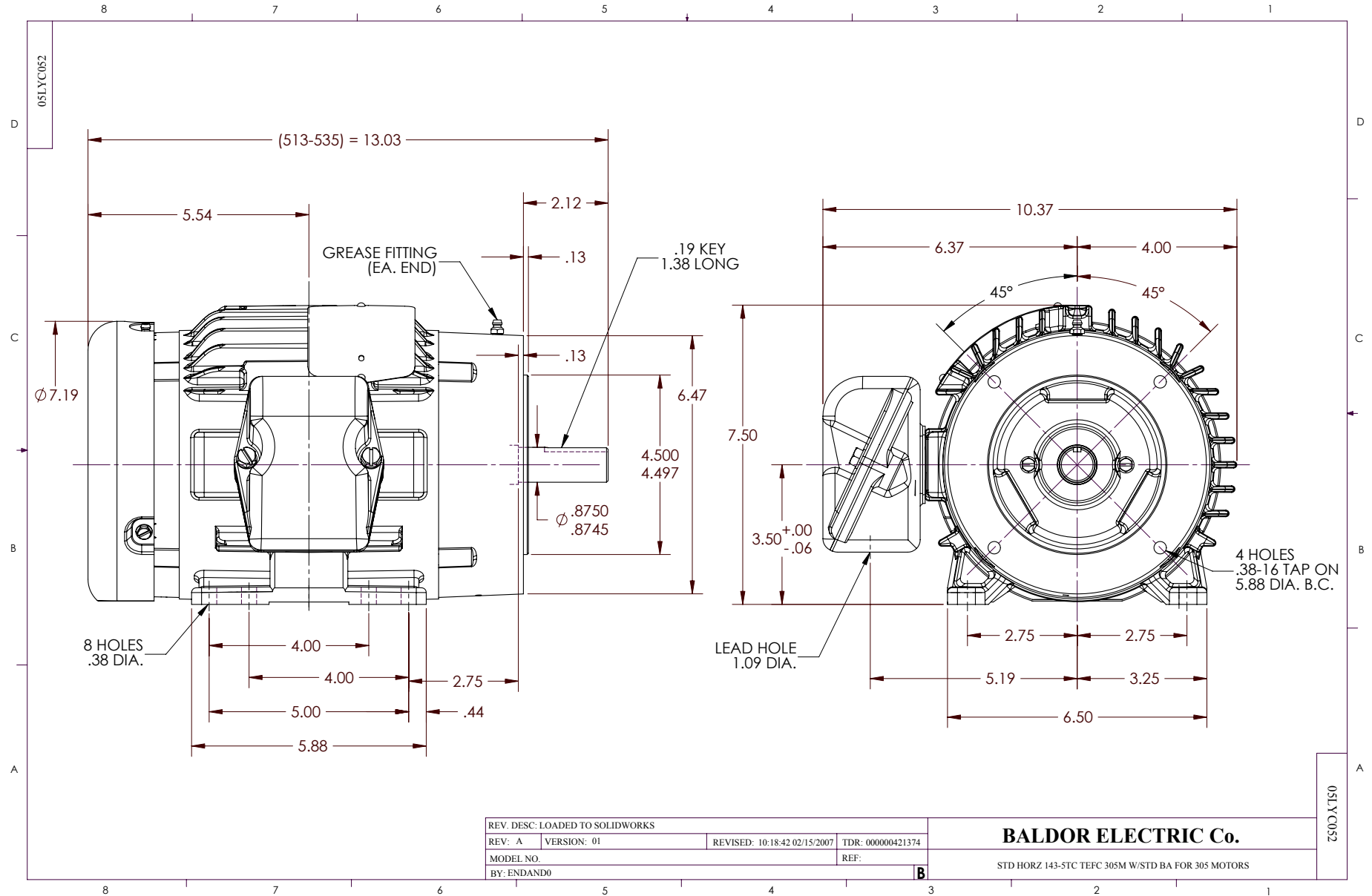
| Nameplate Data        |              |              |    | 460 V, 60 Hz:<br>High Voltage Connection |                |
|-----------------------|--------------|--------------|----|--|----------------|
| Rated Output (HP)     | 2            |              |    | Full Load Torque                         | 2.98 LB-FT     |
| Volts                 | 208-230/460  |              |    | Start Configuration                      | direct on line |
| Full Load Amps        | 5.3-5/2.5    |              |    | Breakdown Torque                         | 14.2 LB-FT     |
| R.P.M.                | 3490         |              |    | Pull-up Torque                           | 6.33 LB-FT     |
| Hz                    | 60           | Phase        | 3  | Locked-rotor Torque                      | 11.2 LB-FT     |
| NEMA Design Code      | B            | KVA Code     | M  | Starting Current                         | 25.9 A         |
| Service Factor (S.F.) | 1.15         |              |    | No-load Current                          | 0.912 A        |
| NEMA Nom. Eff.        | 85.5         | Power Factor | 88 | Line-line Res. @ 25°C                    | 6.9119 Ω       |
| Rating - Duty         | 40C AMB-CONT |              |    | Temp. Rise @ Rated Load                  | 44°C           |
| S.F. Amps             |              |              |    | Temp. Rise @ S.F. Load                   | 52°C           |

Load Characteristics 460 V, 60 Hz, 2 HP

| % of Rated Load | 25     | 50     | 75     | 100    | 125    | 150    | S.F. |
|-----------------|--------|--------|--------|--------|--------|--------|------|
| Power Factor    | 55     | 75     | 84     | 88     | 90     | 91     | 89   |
| Efficiency      | 74.3   | 83.5   | 85.9   | 86.4   | 85.9   | 84.8   | 86.1 |
| Speed           | 3571.7 | 3546.5 | 3520.2 | 3492.1 | 3460.7 | 3425.5 | 3473 |
| Line amperes    | 1.1    | 1.47   | 1.93   | 2.44   | 3      | 3.61   | 2.78 |

Performance Graph at 460V, 60Hz, 2.0HP Typical performance - Not guaranteed values





CD0005



LOW VOLTAGE  
(2Y)



LINE

HIGH VOLTAGE  
(1Y)



LINE

NOTES:

1. INTERCHANGE ANY TWO LINE LEADS TO REVERSE ROTATION.
2. OPTIONAL THERMOSTATS ARE PROVIDED WHEN SPECIFIED.
3. ACTUAL NUMBER OF INTERNAL PARALLEL CIRCUITS MAY BE A MULTIPLE OF THOSE SHOWN ABOVE.
4. LEAD COLORS ARE OPTIONAL. LEADS MUST ALWAYS BE NUMBERED AS SHOWN.

|   |         |                         |              |
|---|---------|-------------------------|--------------|
| REV. DESC: REVISE TO SHOW OPTIONAL COLORS |         |                         |              |
| REV. LTR: E                               | BY: JLP | REVISED: 01/19/99 10:15 | TDR: 0171435 |
| 9000D                                     |         | FILE: AAA00005140       | MDL: -       |
|   |         | MTL: -                  |              |

**BALDOR ELECTRIC Co.**

3PH, DV, 9 LEADS

CD0005