

BALDOR® • ***RELIANCE***

Product Information Packet

CEM7062T-I

40//30HP,1775//1480RPM,3PH,60//50HZ,324T

| Part Detail | | | | | | | |
|-------------|-------|----------------|-------|-------------|----------|---------------|------------|
| Revision: | T | Status: | PRD/A | Change #: | | Proprietary: | No |
| Type: | AC | Prod. Type: | 1254M | Elec. Spec: | 12WGY276 | CD Diagram: | CD0180 |
| Enclosure: | XPFC | Mfg Plant: | | Mech. Spec: | 12T021 | Layout: | 12LYT021 |
| Frame: | 324TC | Mounting: | F1 | Poles: | 04 | Created Date: | 06-10-2010 |
| Base: | RG | Rotation: | R | Insulation: | F | Eff. Date: | 08-29-2016 |
| Leads: | 9#8 | | | | | Replaced By: | |
| Literature: | | Elec. Diagram: | | | | | |

| Nameplate NP0977XPSLEV | | | | | | | | | | |
|------------------------|----------------------------|--|--------|------------|--------------|------|--------------|-----------|-----|--|
| NO. | | | | | | | CC | 010A | | |
| SER. | | | | | | | | TEMP CODE | T3C | |
| SPEC. | 12T021Y276G1 | | | | | | | | | |
| CAT.NO. | CEM7062T-I | | | | | | | | | |
| HP | 40//30 NEMA MG-1 PT.5,IP55 | | | | | | | | | |
| VOLTS | 230/460//190/380 | | | | | | | | | |
| AMPS | 96/48//90/45 | | | | | | | | | |
| RPM | 1775//1480 | | | | | | MOTOR WEIGHT | 700 | | |
| HERTZ | 60//50 | | PH | 3 | CL | F | DE BRG | 6312 | | |
| SER.F. | 1.15 | | DES | A | CODE | H | ODE BRG | 6311 | | |
| FRAME | 324TC | | GREASE | POLYREX EM | | | | | | |
| RATING | 40C AMB-CONT | | | | | | | | | |
| USABLE AT 208V | | | | | NEMA-NOM-EFF | 94.1 | | PF | 82 | |
| | 55C AMB @ 1.0 SF 60C RISE | | | | | | | | | |

| Parts List | | |
|---------------|--|----------|
| Part Number | Description | Quantity |
| SA198377 | SA 12T021Y276G1 | 1.000 EA |
| RA185745 | RA 12T021Y276G1 | 1.000 EA |
| 09FN3001B03SP | EXTERNAL FAN, PLASTIC | 1.000 EA |
| 12CB1003A01 | CONDUIT BOX MACH. GROUP C MTRS | 1.000 EA |
| 10XN3118K24 | 5/16-18 X 1.50" HEX HD, GRADE 5 | 4.000 EA |
| HW1001A31 | LOCKWASHER 5/16, ZINC PLT.591 OD, .319 I | 4.000 EA |
| WD1000B19 | TERMINAL BURNDY L250HP | 1.000 EA |
| 10XN3816K12 | 3/8-16 X 3/4 HEX HD CAP GRADE 5 | 1.000 EA |
| HW1001A38 | LOCKWASHER 3/8, ZINC PLT .688 OD, .382 I | 1.000 EA |
| 12EP1705A12P | EP, MACH. XPFC, 311 BRG. GRP C, HW4505A0 | 1.000 EA |
| HW3023E06 | .125 X .625 SPIRAL SPRING PIN | 1.000 EA |
| HA3051A03 | 1/2-13X2.75 BLT GR8 1.75 TO E NC F/S | 4.000 EA |
| HW1001A50 | LOCKWASHER 1/2, ZINC PLT.,879 OD, .509 I | 4.000 EA |
| HW5100A13 | W4627-047 WVY WSHER | 1.000 EA |
| 12EP1707A11P | FACE MTD. EP XPFC, W/DRN HW4505A02 W/PRI | 1.000 EA |
| HW3023E06 | .125 X .625 SPIRAL SPRING PIN | 1.000 EA |
| 10XN3118K44 | 5/16-18 X 2.75" HEX HD, GRADE 5 | 4.000 EA |
| HW1001A31 | LOCKWASHER 5/16, ZINC PLT.591 OD, .319 I | 4.000 EA |
| HA3051A03 | 1/2-13X2.75 BLT GR8 1.75 TO E NC F/S | 4.000 EA |
| HW1001A50 | LOCKWASHER 1/2, ZINC PLT.,879 OD, .509 I | 4.000 EA |
| 12FH1001A06 | FAN HOUSING 312 EXPLOSION PROOF MOTORS | 1.000 EA |
| 10XN3118K12 | 5/16-18 X .75 GRADE 5, ZINC PLATED | 3.000 EA |
| HW1001A31 | LOCKWASHER 5/16, ZINC PLT.591 OD, .319 I | 3.000 EA |
| HA2067A02 | SLINGER ALUM (AUTO) | 1.000 EA |

| Parts List (continued) | | |
|-------------------------------|---|-----------------|
| Part Number | Description | Quantity |
| 80XN1032A07 | SET SCREW, HEX XOCK, ZN | 2.000 EA |
| 12CB1502A01 | CONDUIT BOX LID MACH. GROUP C MTRS | 1.000 EA |
| 84XN5013J32 | SOCKET HD.CAP SCR,1/2-13 X 2"LG,ALLOY ST | 10.000 EA |
| HW1001A50 | LOCKWASHER 1/2, ZINC PLT.,.879 OD, .509 I | 10.000 EA |
| HW2501H33 | KEY, 1/2 SQ X 3.875 | 1.000 EA |
| LB1115N | LABEL,LIFTING DEVICE (ON ROLLS) | 1.000 EA |
| LB1081C | ALUM XP CAUTION LABEL (COL PLANT ONLY- | 1.000 EA |
| HW4500A20 | 1/8NPT SL PIPE PLUG | 2.000 EA |
| HW4505A02 | BREATHER/DRAIN-EXP PROOF-.250-18 PTF AIS | 1.000 EA |
| MJ1000A02 | GREASE, POLYREX EM EXXON (USe 4824-15A) | 0.200 LB |
| HW4500A20 | 1/8NPT SL PIPE PLUG | 2.000 EA |
| HW4505A02 | BREATHER/DRAIN-EXP PROOF-.250-18 PTF AIS | 1.000 EA |
| HW2500A25 | WOODRUFF KEY USA #1008 #BLOW CARBON STEE | 1.000 EA |
| 51XB1214A20 | 12-14X1.25 HXWSSLD SERTYB | 1.000 EA |
| MG1025G05 | WILKOFASST, 789.227, MED. GRAY CHAR. MET. | 0.125 GA |
| 85XU0407S04 | 4X1/4 U DRIVE PIN STAINLESS | 6.000 EA |
| MN416A01 | TAG-INSTAL-MAINT no wire (1200/bx) 11/14 | 1.000 EA |
| LB1119N | WARNING LABEL | 1.000 EA |
| LC0181 | CONNECTION LABEL | 1.000 EA |
| NP0977XPSLEV | SS XP UL CSA-EEV CC CL-I GP-C&D | 1.000 EA |
| 14PA1000 | PACKAGING 314 GROUP COMBINED PRINT | 1.000 EA |

AC Induction Motor Performance Data

Record # 35371 - Typical performance - not guaranteed values

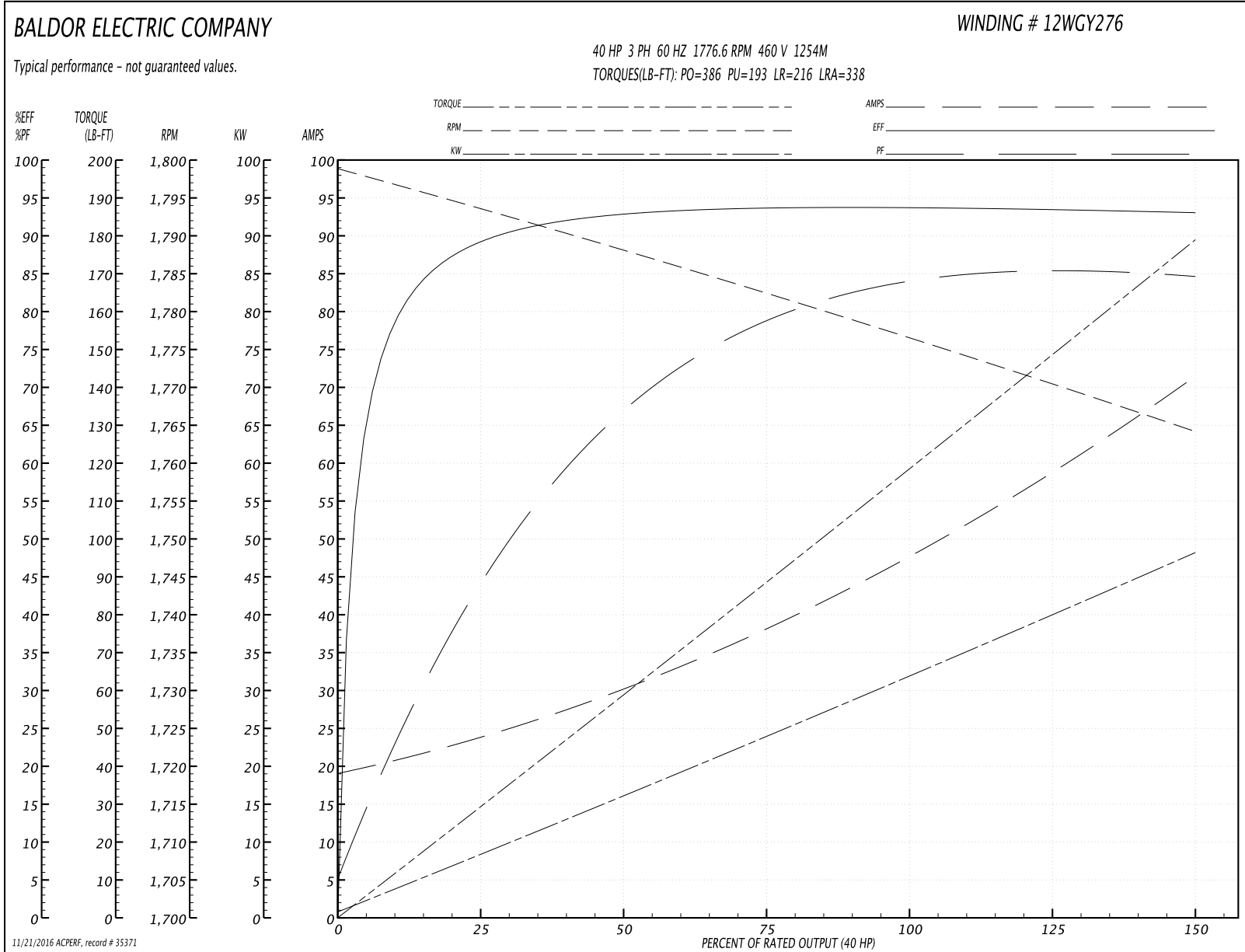
| | | |
|-------------------------------|--------------------|------------------------|
| Winding: 12WGY276-R004 | Type: 1254M | Enclosure: XPFC |
|-------------------------------|--------------------|------------------------|

| Nameplate Data | | | | 460 V, 60 Hz: High Voltage Connection | |
|-----------------------|------------------|--------------|----|--|-------------------------|
| Rated Output (HP) | 40//30 | | | Full Load Torque | 118 LB-FT |
| Volts | 230/460//190/380 | | | Start Configuration | direct on line |
| Full Load Amps | 96/48//90/45 | | | Breakdown Torque | 386 LB-FT |
| R.P.M. | 1775//1480 | | | Pull-up Torque | 193 LB-FT |
| Hz | 60//50 | Phase | 3 | Locked-rotor Torque | 216 LB-FT |
| NEMA Design Code | B | KVA Code | H | Starting Current | 338 A |
| Service Factor (S.F.) | 1.15 | | | No-load Current | 19.9 A |
| NEMA Nom. Eff. | 94.1 | Power Factor | 82 | Line-line Res. @ 25°C | 0.14898 Ω |
| Rating - Duty | 40C AMB-CONT | | | Temp. Rise @ Rated Load | 54°C |
| S.F. Amps | | | | Temp. Rise @ S.F. Load | 64°C |
| | | | | Locked-rotor Power Factor | 27 |
| | | | | Rotor inertia | 7.19 LB-FT ² |

Load Characteristics 460 V, 60 Hz, 40 HP

| % of Rated Load | 25 | 50 | 75 | 100 | 125 | 150 | S.F. |
|-----------------|--------|------|--------|--------|--------|--------|------|
| Power Factor | 47 | 69 | 78 | 83 | 85 | 85 | 84 |
| Efficiency | 90.1 | 93.5 | 94.2 | 94.2 | 93.8 | 93.1 | 94 |
| Speed | 1793.5 | 1788 | 1782.5 | 1776.6 | 1770.7 | 1764.1 | 1773 |
| Line amperes | 22.9 | 29.5 | 38.4 | 48.1 | 59.2 | 70.8 | 54.8 |

Performance Graph at 460V, 60Hz, 40.0HP Typical performance - Not guaranteed values



AC Induction Motor Performance Data

Record # 35373 - Typical performance - not guaranteed values

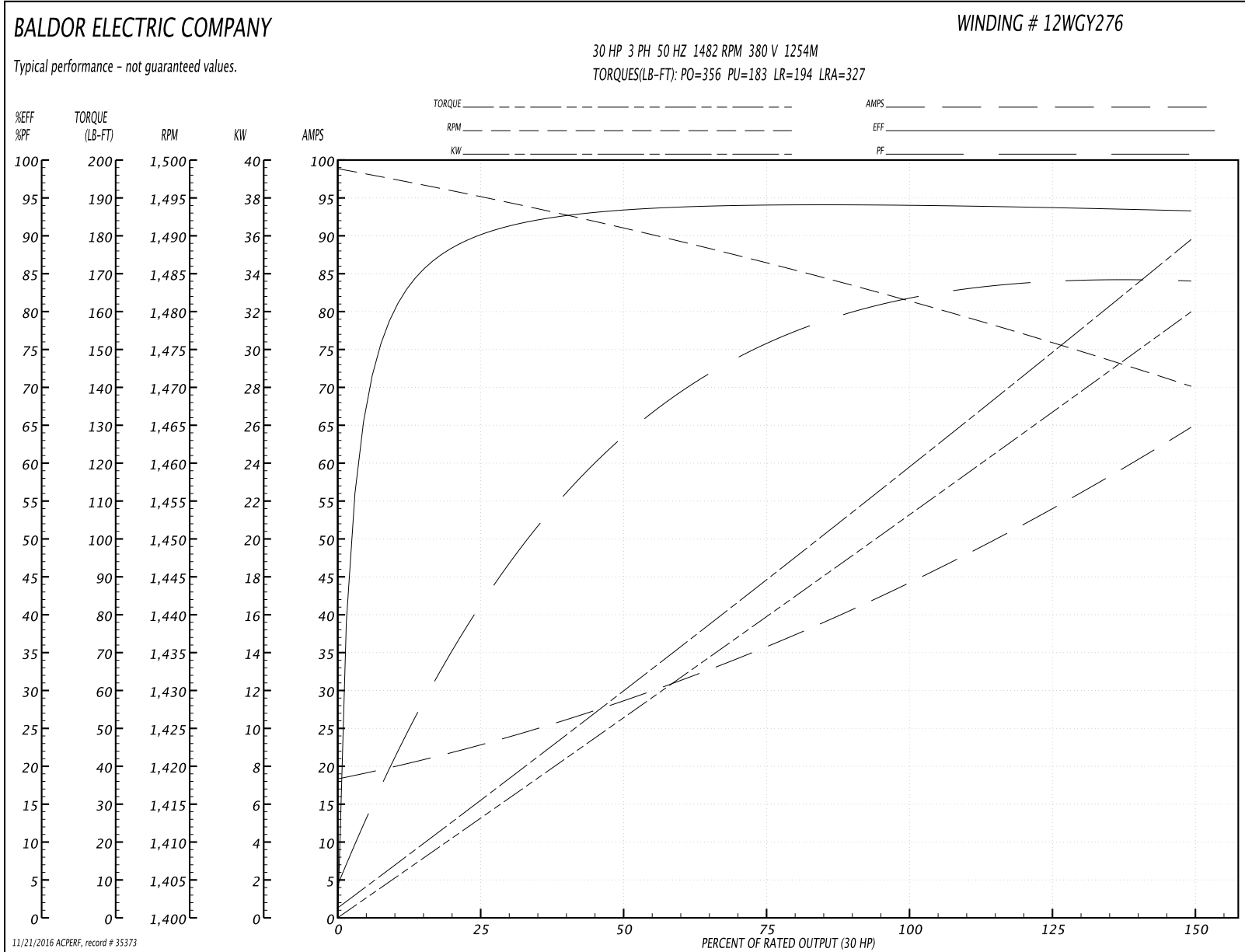
| | | |
|-------------------------------|--------------------|------------------------|
| Winding: 12WGY276-R004 | Type: 1254M | Enclosure: XPFC |
|-------------------------------|--------------------|------------------------|

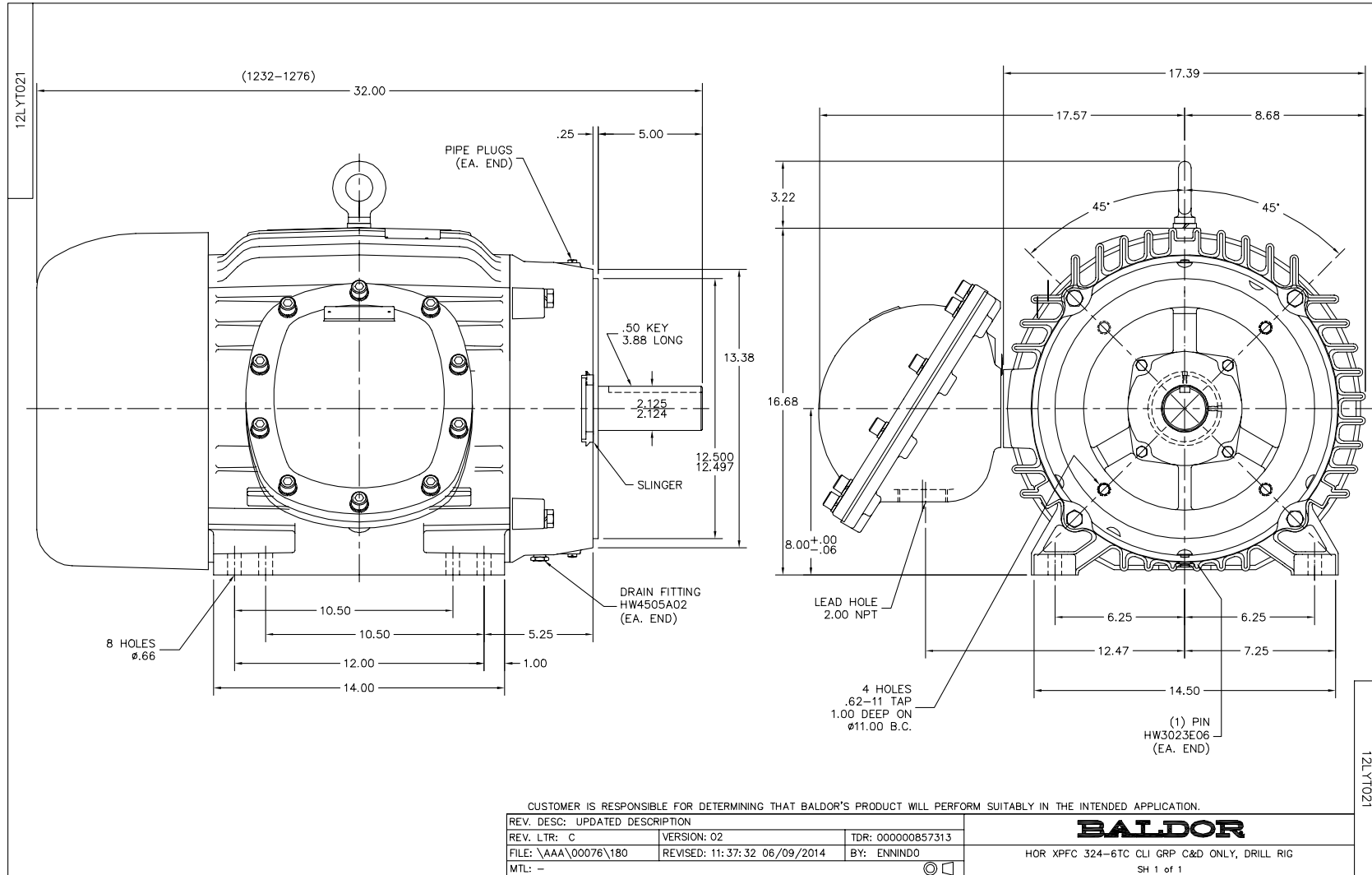
| Nameplate Data | | | | 380 V, 50 Hz: High Voltage Connection | |
|-----------------------|------------------|--------------|----|--|-------------------------|
| Rated Output (HP) | 40//30 | | | Full Load Torque | 106 LB-FT |
| Volts | 230/460//190/380 | | | Start Configuration | direct on line |
| Full Load Amps | 96/48//90/45 | | | Breakdown Torque | 356 LB-FT |
| R.P.M. | 1775//1480 | | | Pull-up Torque | 183 LB-FT |
| Hz | 60//50 | Phase | 3 | Locked-rotor Torque | 194 LB-FT |
| NEMA Design Code | B | KVA Code | H | Starting Current | 327 A |
| Service Factor (S.F.) | 1.15 | | | No-load Current | 19 A |
| NEMA Nom. Eff. | 94.1 | Power Factor | 82 | Line-line Res. @ 25°C | 0.144 Ω |
| Rating - Duty | 40C AMB-CONT | | | Temp. Rise @ Rated Load | 46°C |
| S.F. Amps | | | | Temp. Rise @ S.F. Load | 56°C |
| | | | | Locked-rotor Power Factor | 30 |
| | | | | Rotor inertia | 7.19 LB-FT ² |

Load Characteristics 380 V, 50 Hz, 30 HP

| % of Rated Load | 25 | 50 | 75 | 100 | 125 | 150 | S.F. |
|-----------------|------|------|------|------|------|------|------|
| Power Factor | 43 | 65 | 75 | 81 | 83 | 85 | 82 |
| Efficiency | 90 | 93.5 | 94.3 | 94 | 93.7 | 93.4 | 93.8 |
| Speed | 1495 | 1491 | 1486 | 1482 | 1476 | 1470 | 1478 |
| Line amperes | 22 | 28.3 | 36 | 44.5 | 54.4 | 64.2 | 50.4 |

Performance Graph at 380V, 50Hz, 30.0HP Typical performance - Not guaranteed values

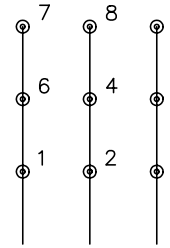




CD0180

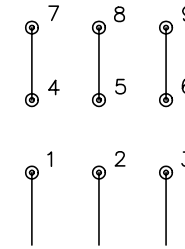


LOW VOLTAGE
(2D)



LINE

HIGH VOLTAGE
(1D)



LINE

NOTES:

1. INTERCHANGE ANY TWO LINE LEADS TO REVERSE ROTATION.
2. OPTIONAL THERMOSTATS ARE PROVIDED WHEN SPECIFIED.
3. ACTUAL NUMBER OF INTERNAL PARALLEL CIRCUITS MAY BE A MULTIPLE OF THOSE SHOWN ABOVE.
4. LEAD COLORS ARE OPTIONAL. LEADS MUST ALWAYS BE NUMBERED AS SHOWN.

| | | | |
|---|---------|------------------------|--------------|
| REV. DESC: REVISE TO SHOW OPTIONAL COLORS | | | |
| REV. LTR: C | BY: JLP | REVISED: 01/21/99 2:28 | TDR: 0171435 |
| 0810D0 | | FILE: AAA00005148 | MDL: - |
| | | MTL: - | |

BALDOR ELECTRIC Co.

3PH, DV, 9 LEADS, DELTA CONNECTION

CD0180