

# **BALDOR**® • ***RELIANCE***

## **Product Information Packet**

# **CESSWDM3615T-5**

**5HP, 1750RPM, 3PH, 60HZ, 184TC, 3646M, TEFC, F1**

Part Detail							
Revision:	H	Status:	PRD/A	Change #:		Proprietary:	No
Type:	AC	Prod. Type:	3646M	Elec. Spec:	36WGR058	CD Diagram:	CD0006
Enclosure:	TEFC	Mfg Plant:		Mech. Spec:	36L738	Layout:	36LYL738
Frame:	184TC	Mounting:	F1	Poles:	04	Created Date:	02-07-2013
Base:	RG	Rotation:	R	Insulation:	F	Eff. Date:	05-26-2016
Leads:	3#16					Replaced By:	
Literature:		Elec. Diagram:					

<b>Nameplate NP1953B05</b>											
<b>CAT.NO.</b>	CESSWDM3615T-5										
<b>SPEC.</b>	36L738R058G2										
<b>HP</b>	5										
<b>VOLTS</b>	575										
<b>AMP</b>	5.2										
<b>RPM</b>	1750										
<b>FRAME</b>	184TC				<b>HZ</b>	60				<b>PH</b>	3
<b>SER.F.</b>	1.15			<b>CODE</b>	J	<b>DES</b>	B		<b>CLASS</b>	F	
<b>NEMA-NOM-EFF</b>	89.5				<b>PF</b>	81					
<b>RATING</b>	40C AMB-CONT										
<b>CC</b>	010A				<b>USABLE AT 208V</b>						
<b>DE</b>	6206				<b>ODE</b>	6205					
<b>ENCL</b>	TEFC			<b>SN</b>							

Parts List		
Part Number	Description	Quantity
SA258175	SA 36L738R058G2	1.000 EA
RA244951	RA 36L738R058G2	1.000 EA
36FN3000A01SP	EXFN, PLASTIC, 7.00 OD, .912 ID	1.000 EA
36CB1003A01	CONDUIT BOX	1.000 EA
36GS1025	36 MOLDED GASKET W/LIP, LEAD SEAL, FOR	1.000 EA
51XN1032A10	10-32 X 0.625 HX WS SL SR ZN	2.000 EA
HA5027A02	HA4054 T-DRAIN X2 BAGGED WITH LABEL	1.000 EA
11XW1032G06	10-32 X .38, TAPTITE II, HEX WSHR SLTD U	1.000 EA
HW3001B01	BRASS CUP WASHER, FOR #8 SCREW	1.000 EA
36FE1907A01	FR EP ASSY W/EP FROM SOUTHERN TOOL STAIN	1.000 EA
HW4606A02	JM CLIPPER/SEAL (LWE-0938-1624-AL23)	1.000 EA
HW5100A05	WVY WSHR F/205 & 304 BRGS	1.000 EA
36PE1908A03	PU ENDPLATE ASSY	1.000 EA
10XN2520S28	1/4-20X 1 3/4 HEX HD SS X	4.000 EA
HA1049A02	DUBO LOK WASHER SIZE 1/4 (NYLON LOCK SEA	4.000 EA
HA1049A02	DUBO LOK WASHER SIZE 1/4 (NYLON LOCK SEA	4.000 EA
36FH4011	WASHDOWN FAN COVER #304 STAINLESS W/NOTC	1.000 EA
10XN1032S06	HEX HD CAP SCREW, SS	3.000 EA
36CB4517	LIPPED CB LID #304 STAINLESS - CLEANED	1.000 EA
37GS3010	1/16"WHITE LID GASKET	1.000 EA
59XN0832S07	8/32 X 7/16 HX WS HD SER X	4.000 EA
HW4606A03	JM CLIPPER/SEAL (LWE-1156-1875-AL44)	1.000 EA
HW2502E16	#303 SS,SQ KEY 1/4 X 1.750	1.000 EA
HA7000A02	KEY RETAINER RING, 1 1/8 DIA, 1 3/8 DIA	1.000 EA

<b>Parts List (continued)</b>		
<b>Part Number</b>	<b>Description</b>	<b>Quantity</b>
MJ5001A02	732 CL SEALANT 3 OZ DIXIE BEARING 289100	0.001 EA
HW3200S01	EYEBOLT 3/8-16 X3/4 S.S. TDR #35988	1.000 EA
MJ1000A02	GREASE, POLYREX EM EXXON (USe 4824-15A)	0.050 LB
51XB1214A16	12-14X1.00 HXWSSLD SERTYB	1.000 EA
HA3101S29	THRUBOLT- 1/4-20X13.00 SS	4.000 EA
36PA1001	PKG GRP, PRINT PK1017A06	1.000 EA
MN416A01	TAG-INSTAL-MAINT no wire (1200/bx) 11/14	1.000 EA

**AC Induction Motor Performance Data**

Record # 42690 - Typical performance - not guaranteed values

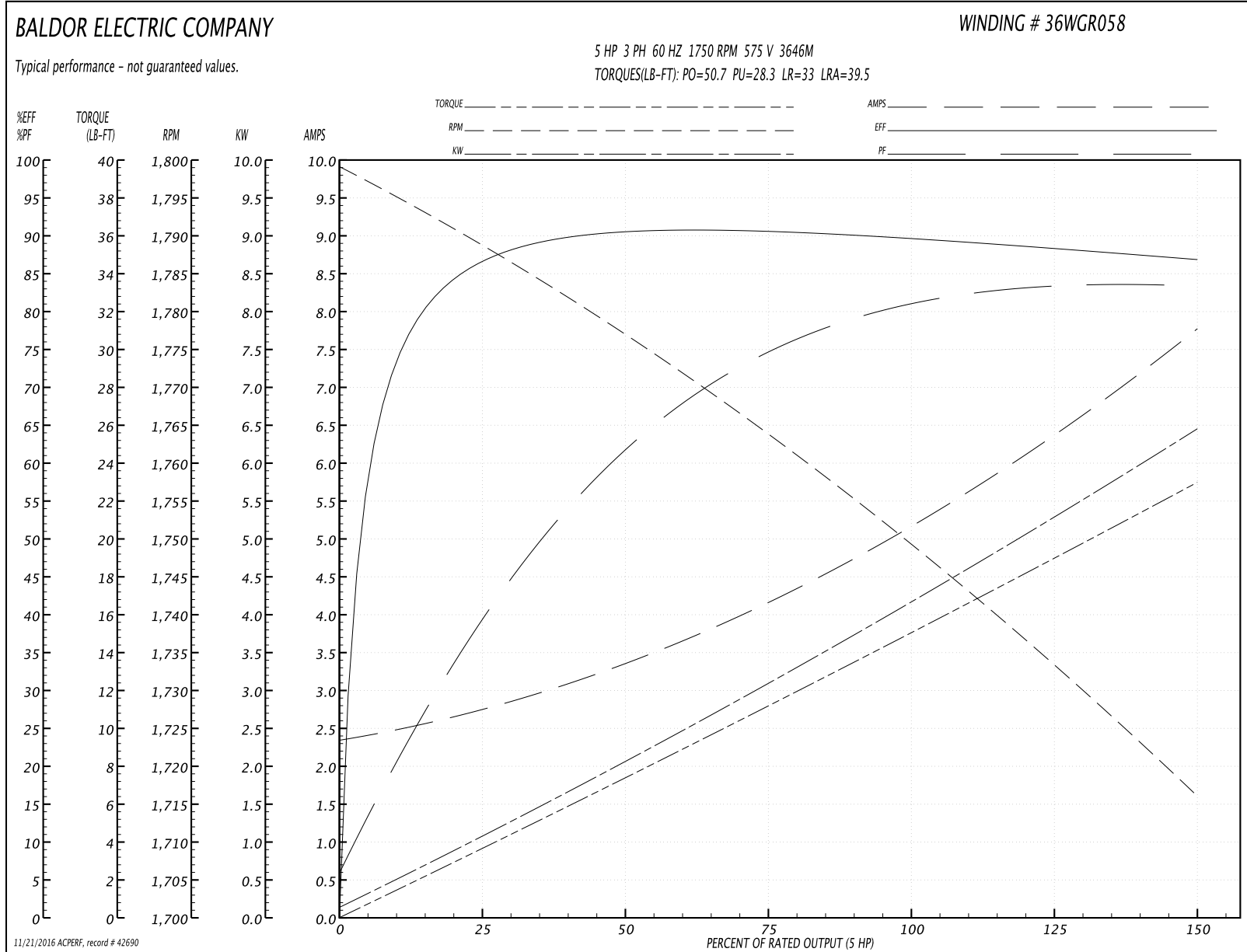
<b>Winding:</b> 36WGR058-R001	<b>Type:</b> 3646M	<b>Enclosure:</b> TEFC
-------------------------------	--------------------	------------------------

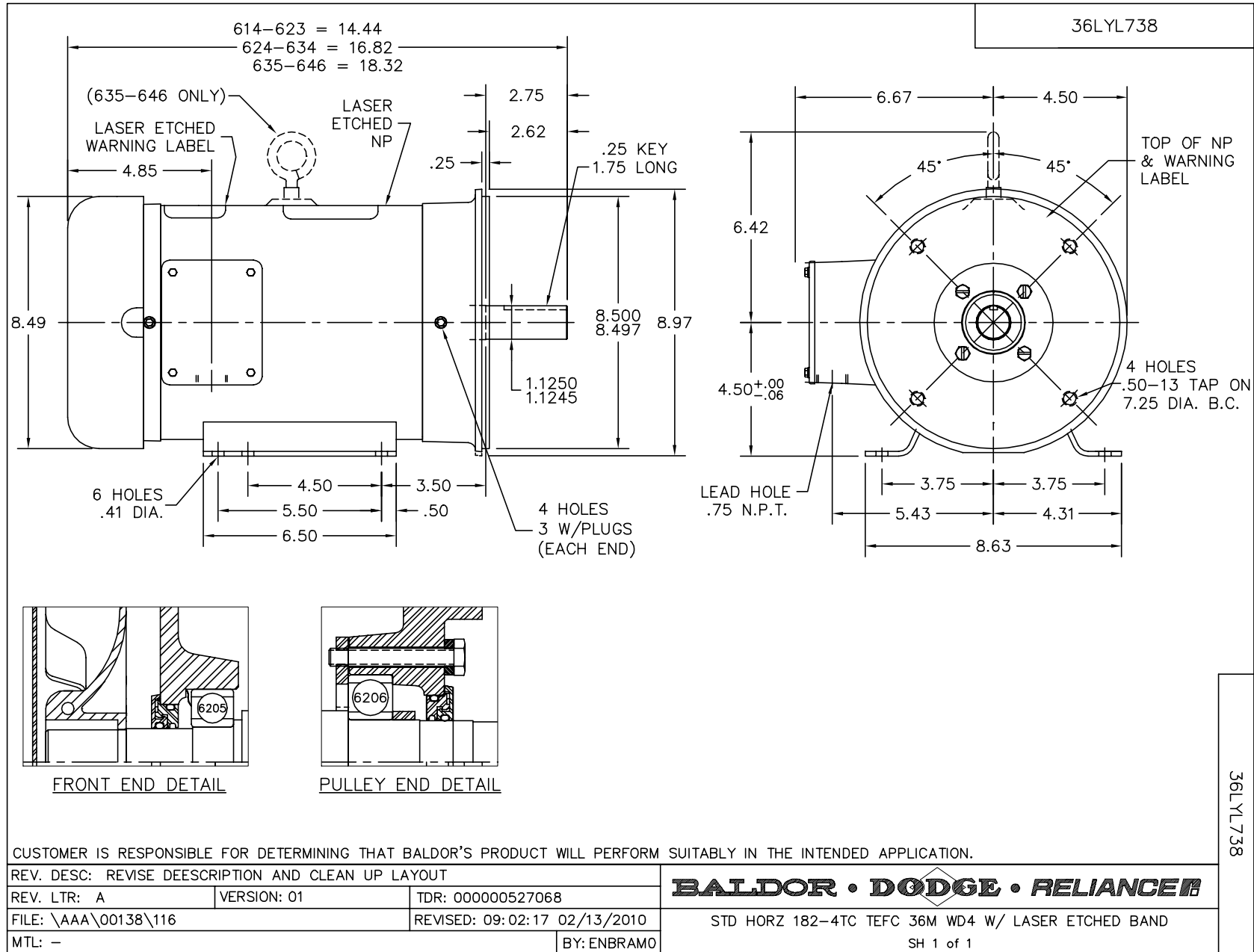
Nameplate Data				575 V, 60 Hz: High Voltage Connection	
Rated Output (HP)	5			Full Load Torque	15 LB-FT
Volts	575			Start Configuration	direct on line
Full Load Amps	5.2			Breakdown Torque	50.7 LB-FT
R.P.M.	1750			Pull-up Torque	28.3 LB-FT
Hz	60	Phase	3	Locked-rotor Torque	33 LB-FT
NEMA Design Code	B	KVA Code	J	Starting Current	39.5 A
Service Factor (S.F.)	1.15			No-load Current	2.4 A
NEMA Nom. Eff.	89.5	Power Factor	81	Line-line Res. @ 25°C	3.61 Ω
Rating - Duty	40C AMB-CONT			Temp. Rise @ Rated Load	87°C
S.F. Amps				Temp. Rise @ S.F. Load	106°C

Load Characteristics 575 V, 60 Hz, 5 HP

% of Rated Load	25	50	75	100	125	150	S.F.
Power Factor	41	63	74	80	83	84	82
Efficiency	86.1	90.2	90.9	89.8	88.4	86.9	89
Speed	1789	1777	1764	1749	1734	1716	1740
Line amperes	2.68	3.31	4.18	5.19	6.39	7.73	5.91

Performance Graph at 575V, 60Hz, 5.0HP Typical performance - Not guaranteed values





CD0006



NOTES:

1. THREE LEAD MOTOR MAY BE EITHER WYE CONNECTED OR DELTA CONNECTED.
2. INTERCHANGE ANY TWO LINE LEADS TO REVERSE ROTATION.
3. OPTIONAL THERMOSTATS ARE PROVIDED WHEN SPECIFIED.
4. ACTUAL NUMBER OF INTERNAL PARALLEL CIRCUITS MAY VARY.
5. LEAD COLORS ARE OPTIONAL. LEADS MUST BE NUMBERED AS SHOWN.

REV. DESC: REVISE TO SHOW OPTIONAL COLORS			
REV. LTR: D	BY: JLP	REVISED: 01/21/99 4:02	TDR: 0171435
9000D		FILE: AAA00005141	MDL: -
		MTL: -	

**BALDOR ELECTRIC Co.**

3PH, SV, 3 LEADS, WYE OR DELTA CONNECTED

CD0006