

# **BALDOR**® • ***RELIANCE***

## **Product Information Packet**

# **CESWDM3711T**

**10HP,3500RPM,3PH,60HZ,215TC,3744M,TEFC,F**

Part Detail							
Revision:	K	Status:	PRD/A	Change #:		Proprietary:	No
Type:	AC	Prod. Type:	3744M	Elec. Spec:	37WGT383	CD Diagram:	CD0005
Enclosure:	TEFC	Mfg Plant:		Mech. Spec:	37H888	Layout:	37LYH888
Frame:	215TC	Mounting:	F1	Poles:	02	Created Date:	02-17-2010
Base:	RG	Rotation:	R	Insulation:	F	Eff. Date:	06-08-2016
Leads:	9#14					Replaced By:	
Literature:		Elec. Diagram:					

Nameplate NP1669L										
CAT.NO.	CESWDM3711T									
SPEC.	37H888T383G1									
HP	10									
VOLTS	230/460									
AMP	21.2/10.6									
RPM	3500									
FRAME	215TC				HZ	60			PH	3
SER.F.	1.15		CODE	L	DES	A		CLASS	F	
NEMA-NOM-EFF	91.7		PF	94						
RATING	40C AMB-CONT									
CC	010A				USABLE AT 208V			23		
DE	6307				ODE	6206				
ENCL	TEFC		SN							
BLANK										

Parts List		
Part Number	Description	Quantity
SA191060	SA 37H888T383G1	1.000 EA
RA178724	RA 37H888T383G1	1.000 EA
HW3200S01	EYEBOLT 3/8-16 X3/4 S.S. TDR #35988	1.000 EA
37CB3005A04MU	K.O. BOX-MODEL 37 .75 NPT LEAD	1.000 EA
37GS1025	37 MOLDED GASKET W/LIP, LEAD SEAL	1.000 EA
51XW2520A12	.25-20 X .75, TAPTITE II, HEX WSHR SLTD	2.000 EA
HA5027A04	HA4054 T-DRAIN X2 BAGGED	1.000 EA
11XW1032G06	10-32 X .38, TAPTITE II, HEX WSHR SLTD U	1.000 EA
37EP3101A49MU	FR EP 37 L & M TEFC (FOR S.P. #9D)	1.000 EA
HW4500A33	1/8 NPT STAINLESS,HOLO-KROME #13002,PRES	3.000 EA
HW5100A06	W2420-025 WVY WSHR (WB)	1.000 EA
37EP3300A25MU	FACE MT EP-ENCL-307 BRG-213TC-215TC NO G	1.000 EA
HW4500A33	1/8 NPT STAINLESS,HOLO-KROME #13002,PRES	3.000 EA
HW4606A04	JM CLIPPER/SEAL (LWE-1376-2125-AL45)	1.000 EA
10XN2520S30	1/4-20 X 1 7/8 HEX HEAD SS	4.000 EA
XY3118S12	5/16-18 HEX NUT, STAINLESS STEEL	4.000 EA
51XB1214A20	12-14X1.25 HXWSSLD SERTYB	1.000 EA
37FH4000A45	STAINLESS FAN COVER, NO GREASER SLOT (FO	1.000 EA
11XW1032S06	10-32 X .38, TAPTITE II, HEX WSHR SLTD U	3.000 EA
37CB4514	37 CB LID - CLEANED	1.000 EA
37GS1008A02	37 GS FOR CB LID - WHITE NEOPRENE	1.000 EA
59XW0832S07	TAPTITE II,HEX WSHR UNSLTD SER,410 S.S.,	4.000 EA
HW4600B74	V-RING SLINGER 1.125 X 1.445 X .24 VITON	1.000 EA
HW2502F21	#303 SS,SQ KEY 5/16 X 2.375	1.000 EA

<b>Parts List (continued)</b>		
<b>Part Number</b>	<b>Description</b>	<b>Quantity</b>
HA7000A02	KEY RETAINER RING, 1 1/8 DIA, 1 3/8 DIA	1.000 EA
MJ5001A02	732 CL SEALANT 3 OZ DIXIE BEARING 289100	0.001 EA
85XU0407S04	4X1/4 U DRIVE PIN STAINLESS	2.000 EA
LB1115N	LABEL,LIFTING DEVICE (ON ROLLS)	1.000 EA
LB1164	LABEL,WARNING AND DRAIN	1.000 EA
MJ1000A02	GREASE, POLYREX EM EXXON (USe 4824-15A)	0.050 LB
36FN3000C02	EXFN, PLASTIC, 5.25 OD, 1.175 ID	1.000 EA
HA3104S17	THRUBOLT 13.250LG SS	4.000 EA
LC0005	CONN.DIA.,TY M,9-LD,DUAL VOLT,REVERSING	1.000 EA
NP1669L	SS WD SUPER-E UL CSA-EEV PREM REV MTG	1.000 EA
37PA1039	PALLET PACK GRP, PRINT PK1026A06	1.000 EA
MN416A01	TAG-INSTAL-MAINT no wire (1200/bx) 11/14	1.000 EA

**AC Induction Motor Performance Data**

Record # 57397 - Typical performance - not guaranteed values

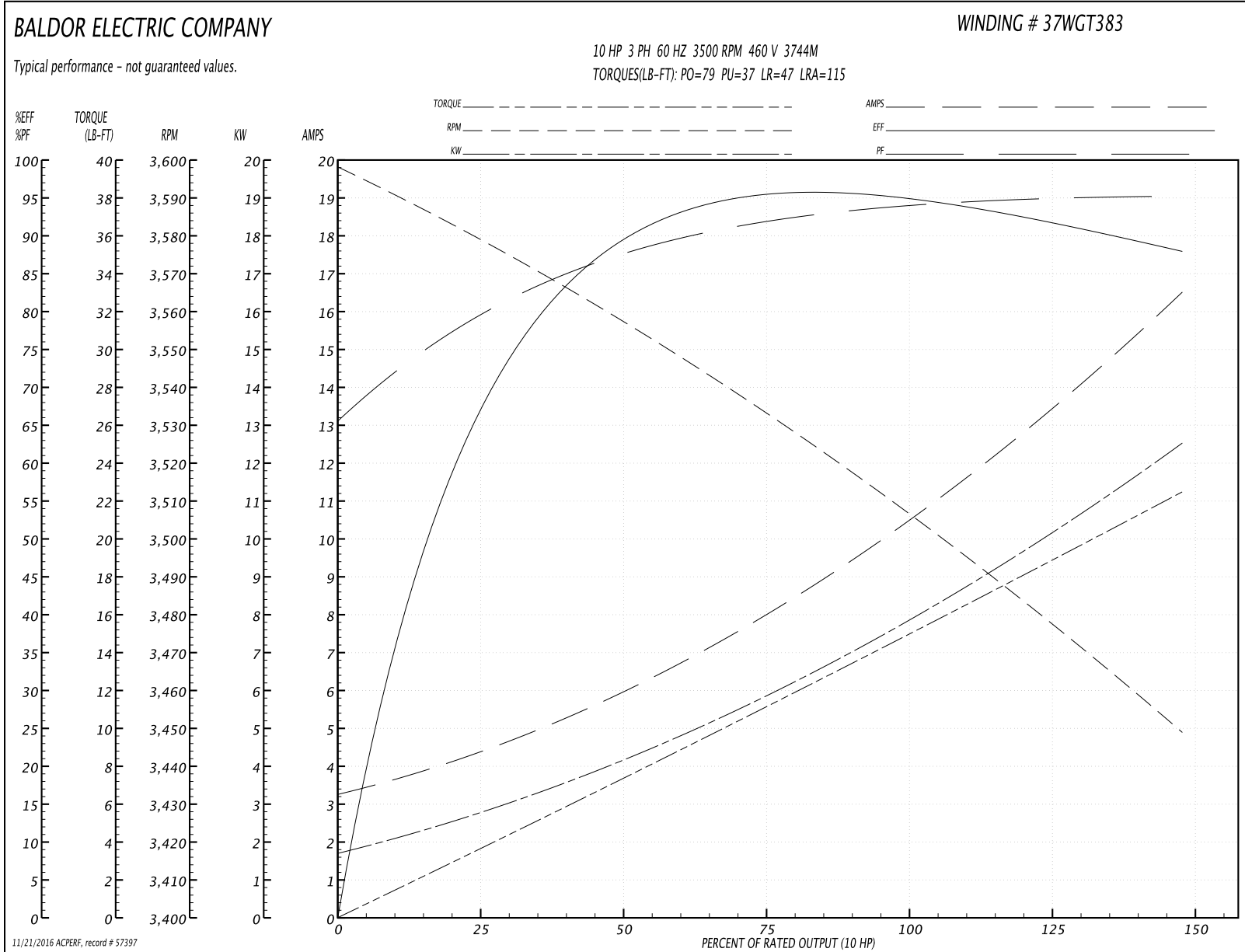
<b>Winding:</b> 37WGT383-R007	<b>Type:</b> 3744M	<b>Enclosure:</b> TEFC
-------------------------------	--------------------	------------------------

Nameplate Data				460 V, 60 Hz: High Voltage Connection	
Rated Output (HP)	10			Full Load Torque	15 LB-FT
Volts	230/460			Start Configuration	direct on line
Full Load Amps	21.2/10.6			Breakdown Torque	79 LB-FT
R.P.M.	3500			Pull-up Torque	37 LB-FT
Hz	60	Phase	3	Locked-rotor Torque	47 LB-FT
NEMA Design Code	A	KVA Code	L	Starting Current	115 A
Service Factor (S.F.)	1.15			No-load Current	3.4 A
NEMA Nom. Eff.	91.7	Power Factor	94	Line-line Res. @ 25°C	0.659 Ω
Rating - Duty	40C AMB-CONT			Temp. Rise @ Rated Load	57°C
S.F. Amps				Temp. Rise @ S.F. Load	70°C
				Locked-rotor Power Factor	31.5
				Rotor inertia	0.402 LB-FT <sup>2</sup>

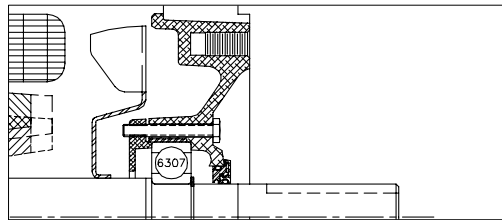
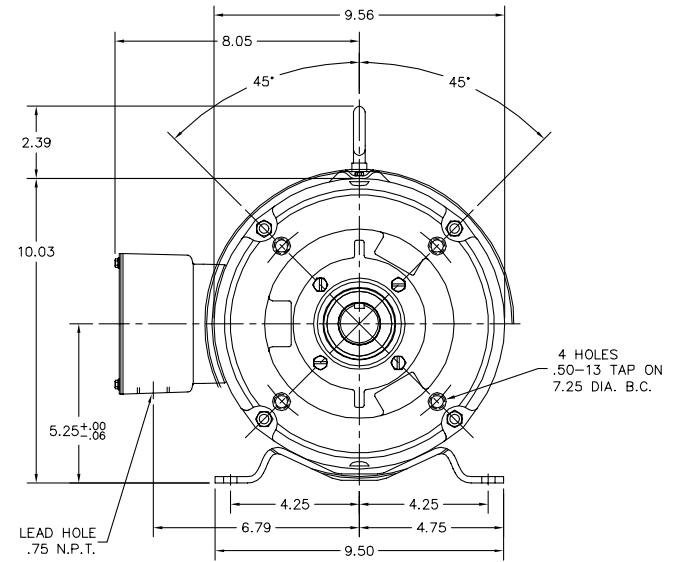
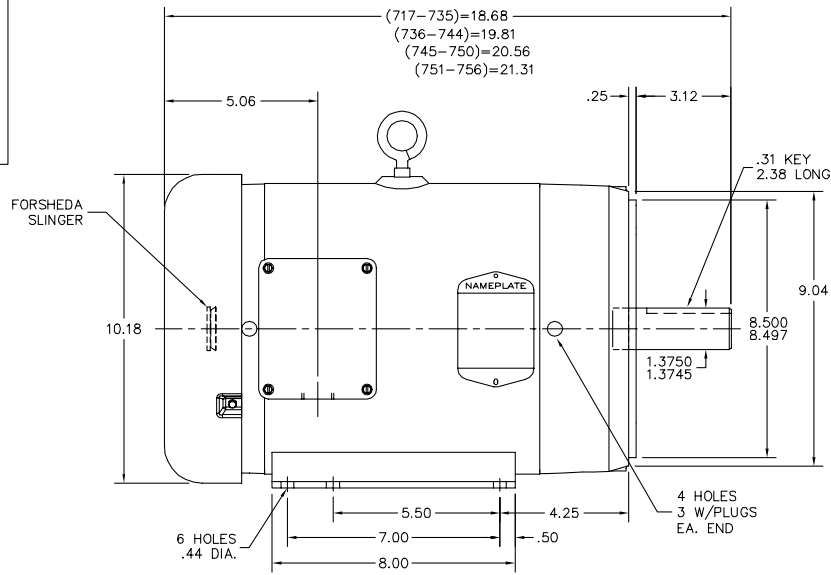
Load Characteristics 460 V, 60 Hz, 10 HP

% of Rated Load	25	50	75	100	125	150	S.F.
Power Factor	65	86	95	96	95	94	95
Efficiency	88.1	92	92.8	91.8	91	89.4	91.3
Speed	3578	3555	3533	3507	3479	3448	3490
Line amperes	4.2	6	8.1	10.6	13.5	16.4	12.3

Performance Graph at 460V, 60Hz, 10.0HP Typical performance - Not guaranteed values



37LYH888



PULLEY END SECTION

CUSTOMER IS RESPONSIBLE FOR DETERMINING THAT BALDOR'S PRODUCT WILL PERFORM SUITABLY IN THE INTENDED APPLICATION.

REV. DESC: REPLACE HA1005A02 WITH HW4600B74	VERSION: 03	TDR: 000000783785
REV. LTR: C	REvised: 03:19:23 05/03/2013	BY: ENCARJO
FILE: \AAA\00093\300		
MTL: -		

**BALDOR**

STD HORZ 213-5TC TEFC 37M WD2 (PAINT FREE)

SH 1 of 1

37LYH888

CD0005



LOW VOLTAGE  
(2Y)



LINE

HIGH VOLTAGE  
(1Y)



LINE

NOTES:

1. INTERCHANGE ANY TWO LINE LEADS TO REVERSE ROTATION.
2. OPTIONAL THERMOSTATS ARE PROVIDED WHEN SPECIFIED.
3. ACTUAL NUMBER OF INTERNAL PARALLEL CIRCUITS MAY BE A MULTIPLE OF THOSE SHOWN ABOVE.
4. LEAD COLORS ARE OPTIONAL. LEADS MUST ALWAYS BE NUMBERED AS SHOWN.

REV. DESC: REVISE TO SHOW OPTIONAL COLORS			
REV. LTR: E	BY: JLP	REVISED: 01/19/99 10:15	TDR: 0171435
9000D		FILE: AAA00005140	MDL: -
		MTL: -	

**BALDOR ELECTRIC Co.**

3PH, DV, 9 LEADS

CD0005