

BALDOR® • **RELIANCE**

Product Information Packet

CJM3158

3HP,3450RPM,3PH,60HZ,56J,3524M,OPEN,F1

Part Detail							
Revision:	R	Status:	PRD/A	Change #:		Proprietary:	No
Type:	AC	Prod. Type:	3524M	Elec. Spec:	35WGR286	CD Diagram:	CD0005
Enclosure:	ODTF	Mfg Plant:		Mech. Spec:	35T961	Layout:	35LYT961
Frame:	56J	Mounting:	F1	Poles:	02	Created Date:	06-22-2007
Base:	RG	Rotation:	R	Insulation:	B	Eff. Date:	09-01-2015
Leads:	9#18					Replaced By:	
Literature:		Elec. Diagram:					

Nameplate NP1256L										
CAT.NO.	CJM3158									
SPEC.	35T961R286G1									
HP	3									
VOLTS	208-230/460									
AMP	8.5-8/4									
RPM	3450									
FRAME	56J				HZ	60			PH	3
SER.F.	1.15		CODE	K	DES	B		CLASS	B	
NEMA-NOM-EFF	80		PF	87						
RATING	40C AMB-CONT									
CC								USABLE AT 208V	8.5	
DE	6205			ODE	6203					
ENCL	ODTF		SN							

Parts List		
Part Number	Description	Quantity
SA111046	SA 35T961R286G1	1.000 EA
RA102425	RA 35T961R286G1	1.000 EA
NS2512A01	INSULATOR, CONDUIT BOX X	1.000 EA
35CB3007	35 CB CASTING W/.88 DIA. LEAD HOLE	1.000 EA
51XB1016A07	10-16 X 7/16 HXWSSLD SERTYB	2.000 EA
11XW1032G06	10-32 X .38, TAPTITE II, HEX WSHR SLTD U	1.000 EA
35EP3201A04SP	SPL FR EP-OPEN-35L OR M -203 BRG-W/DRIP	1.000 EA
HW5100A03SP	WAVY WASHER (W1543-017)	1.000 EA
35EP3400A13	STD FACE MTD END PLATE OPEN NEMA 56C 05	1.000 EA
35AD2000	AIR BAFFLE	1.000 EA
15XF0632A06	6-32 X 3/8 PHILL PAN HD TYPE F	4.000 EA
51XN1032A20	10-32 X 1 1/4 HX WS SL SR	2.000 EA
51XB1214A16	12-14X1.00 HXWSSLD SERTYB	1.000 EA
35FH4006A02	DRIP COVER STAMPED, VERT., W/ PRIMER	1.000 EA
51XW1032A06	10-32 X .38, TAPTITE II, HEX WSHR SLTD S	3.000 EA
WD4100A10	465 NIAGARA PLUG (SO ELEC),FOR 1.093 DIA	1.000 EA
35CB4521	35 LIPPED CB LID (GALV & PHOSPH)	1.000 EA
51XW0832A07	8-32 X .44, TAPTITE II, HEX WSHR SLTD SE	4.000 EA
85XU0407S04	4X1/4 U DRIVE PIN STAINLESS	2.000 EA
MG1000G27	MED CHARCOAL METALLIC GREY 400-0096	0.017 GA
LB1009N	LABEL,ROTATION DIRECTION (ON ROLLS)	1.000 EA
MJ1000A02	GREASE, POLYREX EM EXXON (USe 4824-15A)	0.050 LB
34FN3002B01	EXTERNAL FAN, PLASTIC, .637/.639 HUB W/	1.000 EA
HA3100A15	THRUBOLT 10-32 X 8.375	4.000 EA

Parts List (continued)		
Part Number	Description	Quantity
LC0005E01	CONN.DIA./WARNING LABEL (LC0005/LB1119N)	1.000 EA
NP1256L	ALUM UL CSA CC	1.000 EA
36PA1000	PKG GRP, PRINT PK1016A06	1.000 EA
PK3082	STYROFOAM CRADLE	1.000 EA

AC Induction Motor Performance Data
Record # 8536 - Typical performance - not guaranteed values

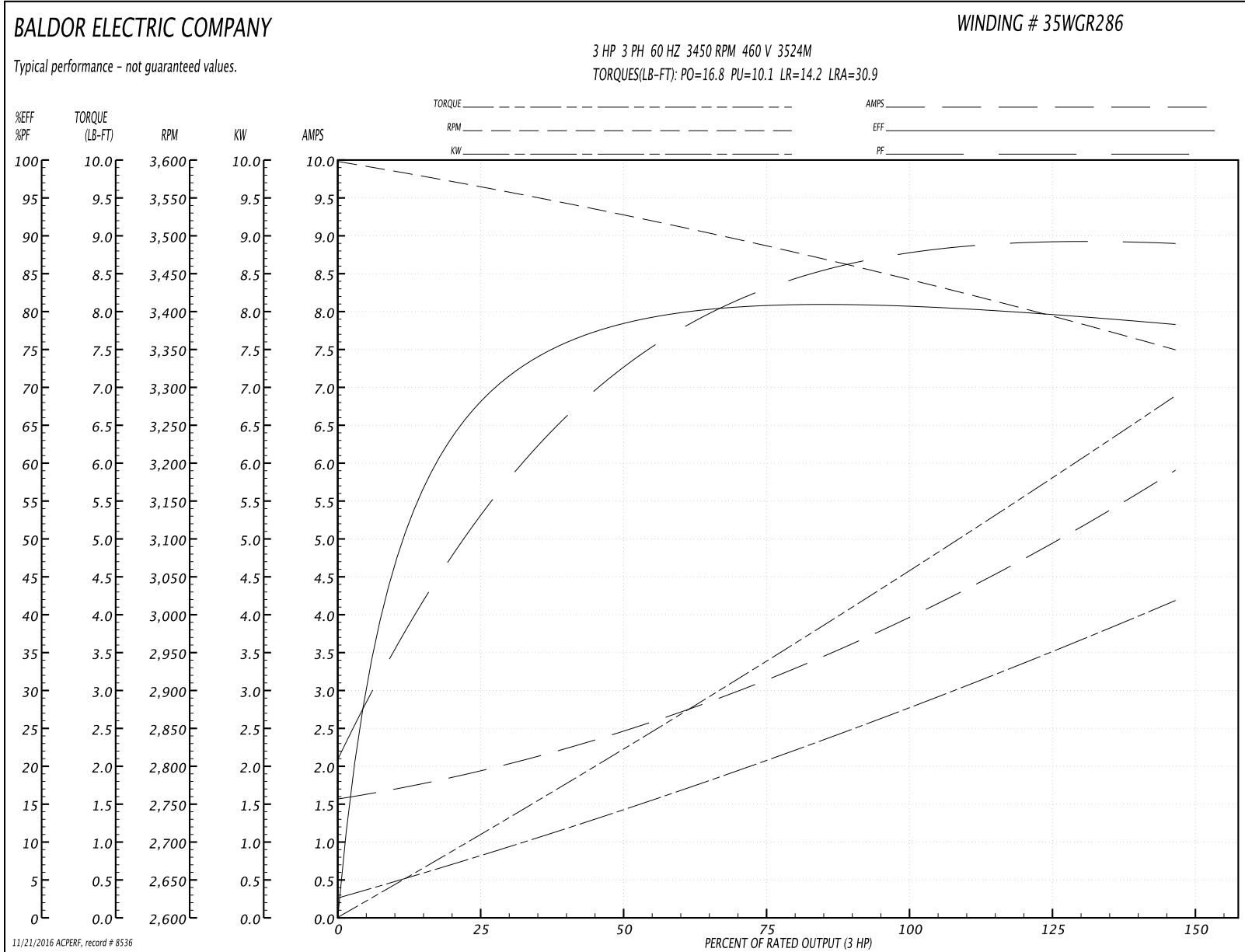
Winding: 35WGR286-R001	Type: 3524M	Enclosure: OPEN
-------------------------------	--------------------	------------------------

Nameplate Data				460 V, 60 Hz: High Voltage Connection	
Rated Output (HP)	3			Full Load Torque	4.6 LB-FT
Volts	208-230/460			Start Configuration	direct on line
Full Load Amps	8.5-8/4			Breakdown Torque	16.8 LB-FT
R.P.M.	3450			Pull-up Torque	10.1 LB-FT
Hz	60	Phase	3	Locked-rotor Torque	14.2 LB-FT
NEMA Design Code	B	KVA Code	K	Starting Current	30.9 A
Service Factor (S.F.)	1.15			No-load Current	1.6 A
NEMA Nom. Eff.	80	Power Factor	87	Line-line Res. @ 25°C	5.928 Ω
Rating - Duty	40C AMB-CONT			Temp. Rise @ Rated Load	42°C
S.F. Amps				Temp. Rise @ S.F. Load	50°C
				Locked-rotor Power Factor	55
				Rotor inertia	0.0664 LB-FT ²

Load Characteristics 460 V, 60 Hz, 3 HP

% of Rated Load	25	50	75	100	125	150	S.F.
Power Factor	56	74	83	87	89	89	88
Efficiency	68.6	78.2	80.7	81	79.9	78.1	80.3
Speed	3565	3520	3484	3444	3400	3346	3418
Line amperes	1.9	2.5	3.2	4	4.9	5.9	4.5

Performance Graph at 460V, 60Hz, 3.0HP Typical performance - Not guaranteed values



AC Induction Motor Performance Data

Record # 20324 - Typical performance - not guaranteed values

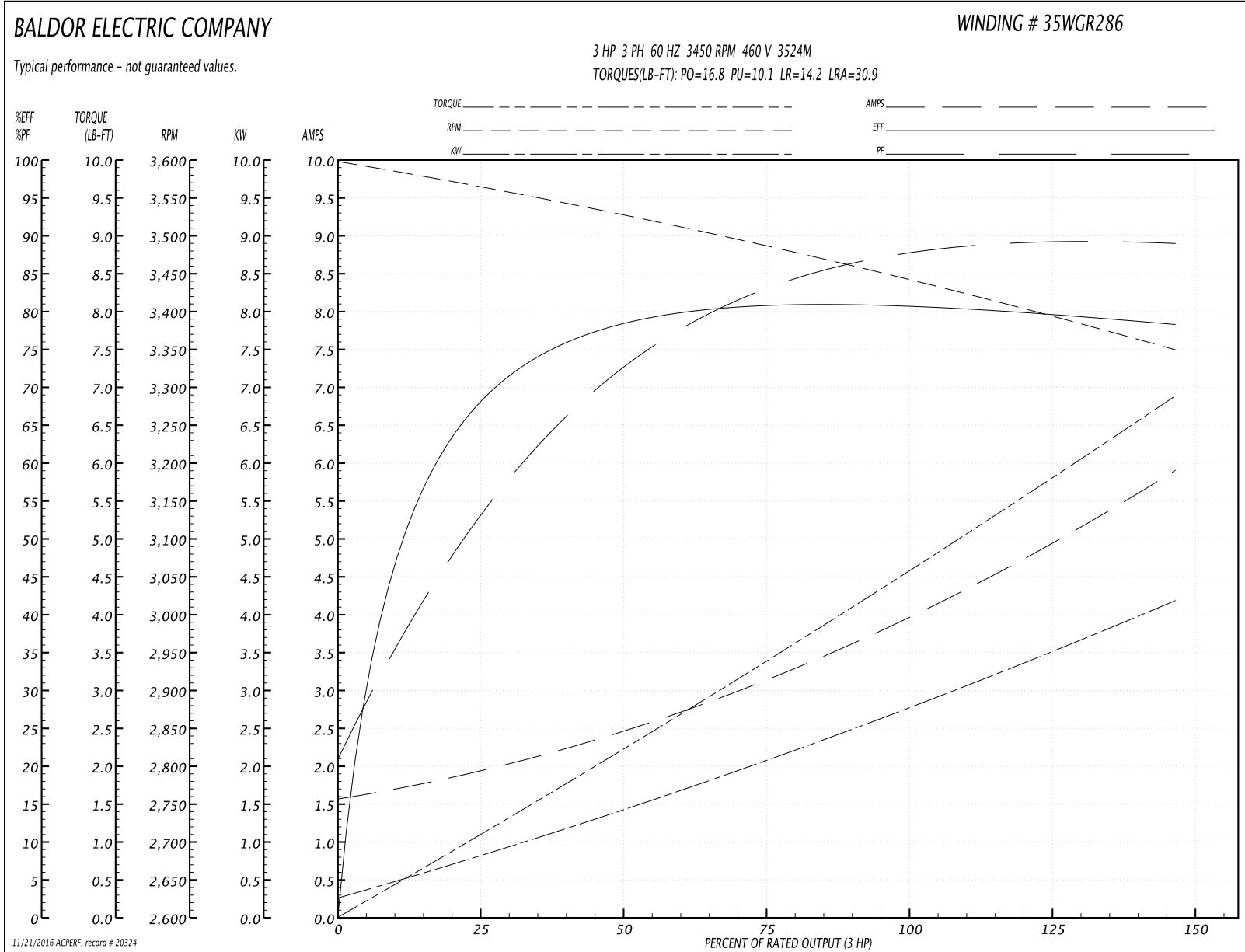
Winding: 35WGR286-R002	Type: 3524M	Enclosure: OPEN
-------------------------------	--------------------	------------------------

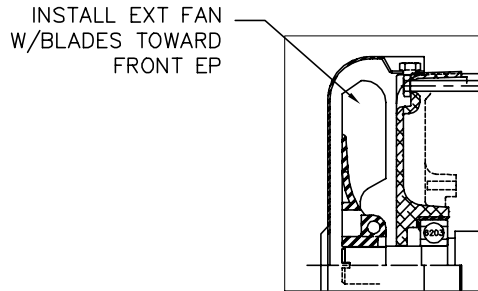
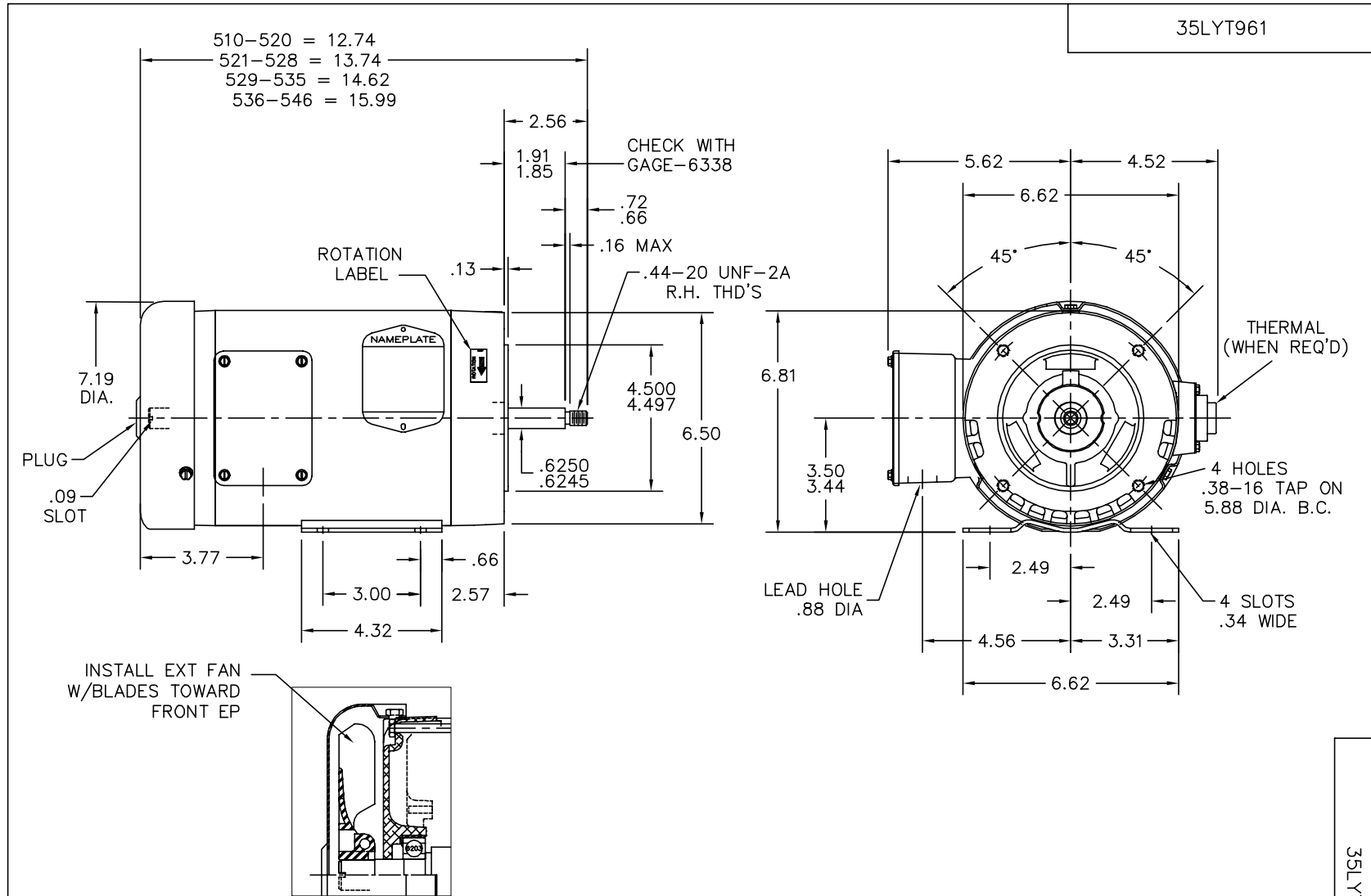
Nameplate Data				460 V, 60 Hz: High Voltage Connection	
Rated Output (HP)	3			Full Load Torque	4.6 LB-FT
Volts	208-230/460			Start Configuration	direct on line
Full Load Amps	8.5-8/4			Breakdown Torque	16.8 LB-FT
R.P.M.	3450			Pull-up Torque	10.1 LB-FT
Hz	60	Phase	3	Locked-rotor Torque	14.2 LB-FT
NEMA Design Code	B	KVA Code	K	Starting Current	30.9 A
Service Factor (S.F.)	1.15			No-load Current	1.6 A
NEMA Nom. Eff.	80	Power Factor	87	Line-line Res. @ 25°C	5.928 Ω
Rating - Duty	40C AMB-CONT			Temp. Rise @ Rated Load	42°C
S.F. Amps				Temp. Rise @ S.F. Load	50°C
				Locked-rotor Power Factor	55
				Rotor inertia	0.0664 LB-FT ²

Load Characteristics 460 V, 60 Hz, 3 HP

% of Rated Load	25	50	75	100	125	150	S.F.
Power Factor	56	74	83	87	89	89	88
Efficiency	68.6	78.2	80.7	81	79.9	78.1	80.3
Speed	3565	3520	3484	3444	3400	3346	3418
Line amperes	1.9	2.5	3.2	4	4.9	5.9	4.5

Performance Graph at 460V, 60Hz, 3.0HP Typical performance - Not guaranteed values





CUSTOMER IS RESPONSIBLE FOR DETERMINING THAT BALDOR'S PRODUCT WILL PERFORM SUITABLY IN THE INTENDED APPLICATION.

REV. DESC: CHANGE FROM OPEN TO ODTF		
REV. LTR: E	VERSION: 05	TDR: 000000930202
FILE: \AAA\00111\417	REVISED: 02:52:58 06/15/2015	BY: ENELLGO
MTL: -		

BALDOR

HOR 56J ODTF 35M W/ DRIP COVER, 2 POLE "W" BASE (35BA4010)

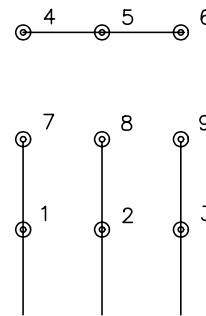
SH 1 of 1

35LYT961

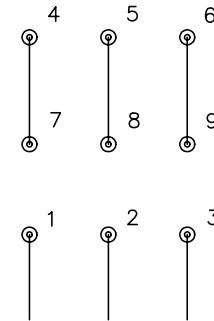
CD0005



LOW VOLTAGE
(2Y)



HIGH VOLTAGE
(1Y)



NOTES:

1. INTERCHANGE ANY TWO LINE LEADS TO REVERSE ROTATION.
2. OPTIONAL THERMOSTATS ARE PROVIDED WHEN SPECIFIED.
3. ACTUAL NUMBER OF INTERNAL PARALLEL CIRCUITS MAY BE A MULTIPLE OF THOSE SHOWN ABOVE.
4. LEAD COLORS ARE OPTIONAL. LEADS MUST ALWAYS BE NUMBERED AS SHOWN.

REV. DESC: REVISE TO SHOW OPTIONAL COLORS			
REV. LTR: E	BY: JLP	REVISED: 01/19/99 10:15	TDR: 0171435
900000		FILE: AAA00005140	MDL: -
		MTL: -	

BALDOR ELECTRIC Co.

3PH, DV, 9 LEADS

CD0005