

BALDOR® • *RELIANCE*

Product Information Packet

CSPM3545

1HP,3600RPM,0PH,60HZ,56C,TEFC,F3,N

Part Detail							
Revision:	F	Status:	PRD/A	Change #:		Proprietary:	No
Type:	AC	Prod. Type:	3520B	Elec. Spec:	35WGN888	CD Diagram:	
Enclosure:	TEFC	Mfg Plant:		Mech. Spec:	35X046	Layout:	35LYX046
Frame:	56C	Mounting:	F3	Poles:	02	Created Date:	05-22-2014
Base:	RG	Rotation:	R	Insulation:	F	Eff. Date:	11-02-2016
Leads:						Replaced By:	
Literature:		Elec. Diagram:					

Nameplate NP1256L										
CAT.NO.	CSPM3545									
SPEC.	35X046N888G1									
HP	1									
VOLTS	230/460									
AMP	2.6/1.3									
RPM	3600									
FRAME	56C				HZ	60			PH	3
SER.F.	1.00			CODE	J	DES	B		CLASS	F
NEMA-NOM-EFF	82			PF	88					
RATING	40C AMB-CONT									
CC	010A				USABLE AT 208V					
DE	6205				ODE	6203				
ENCL	TEFC			SN						

Parts List		
Part Number	Description	Quantity
NS2512A01	INSULATOR, CONDUIT BOX X	1.000 EA
35CB4007	KOBX,W/PRIMER (REL# 79097-49-C)	1.000 EA
35GS3009	GASKET, KOBX 35CB4006 (411881-15A)	1.000 EA
WD4101A13	STEEL CAPLUG,BP-1 1/8, PLUG D3561S	1.000 EA
51XB1016A05	10-16X5/16HX WA SL SR TYB (F/S)	2.000 EA
11XW1032G06	10-32 X .38, TAPTITE II, HEX WSHR SLTD U	1.000 EA
HW3001B01	BRASS CUP WASHER, FOR #8 SCREW	1.000 EA
35EP3100M02	FREP TEFC 203 BRG W/O GR SR (RAISED FH MT	1.000 EA
HW5100A03SP	WAVY WASHER (W1543-017)	1.000 EA
35EP3300A33	SPL FACE MTD EP -ENCL-205 BRG	1.000 EA
51XN1032A20	10-32 X 1 1/4 HX WS SL SR	2.000 EA
51XB1214A16	12-14X1.00 HXWSSLD SERTYB	1.000 EA
35FH4005A32SP	IEC FH NO GR SR W/3 HOLES - PRIMED	1.000 EA
51XW1032A06	10-32 X .38, TAPTITE II, HEX WSHR SLTD S	3.000 EA
35CB4519	CB LID RAW & UNPRIMED, REL# 79097-50-B	1.000 EA
35GS3019A01	LEXIDE GASKET, FOR KOBX LID 35CB4519	1.000 EA
51XW0832A07	8-32 X .44, TAPTITE II, HEX WSHR SLTD SE	4.000 EA
HW2501D13	KEY, 3/16 SQ X 1.375	1.000 EA
HA7000A04	KEY RETAINER 0.625 DIA SHAFTS	1.000 EA
85XU0407S04	4X1/4 U DRIVE PIN STAINLESS	2.000 EA
MJ1000A02	GREASE, POLYREX EM EXXON (USe 4824-15A)	0.050 LB
MG1025N19	WILKOFASST, 778.50, RELIANCE BLUE-GREEN	0.017 GA
35X046N888G1S	1HP,3600RPM,3PH,60HZ,56C,3520B,TEFC,N	1.000 EA
35X046N888G1R	20B 2P ROTOR ASSEMBLY	1.000 EA

Parts List (continued)		
Part Number	Description	Quantity
35FN3002A05	EXFN, PLASTIC, 6.376 OD, .638 ID	1.000 EA
HA3100A47	THRUBOLT 10-32 X 7.625	4.000 EA
MN416A01	TAG-INSTAL-MAINT no wire (1200/bx) 11/14	1.000 EA
LC0005E01	CONN.DIA./WARNING LABEL (LC0005/LB1119N)	1.000 EA
NP1256L	ALUM UL CSA CC	1.000 EA
35PA1000	PKG GRP, PRINT PK1008A06	1.000 EA

AC Induction Motor Performance Data

Record # 50813 - Typical performance - not guaranteed values

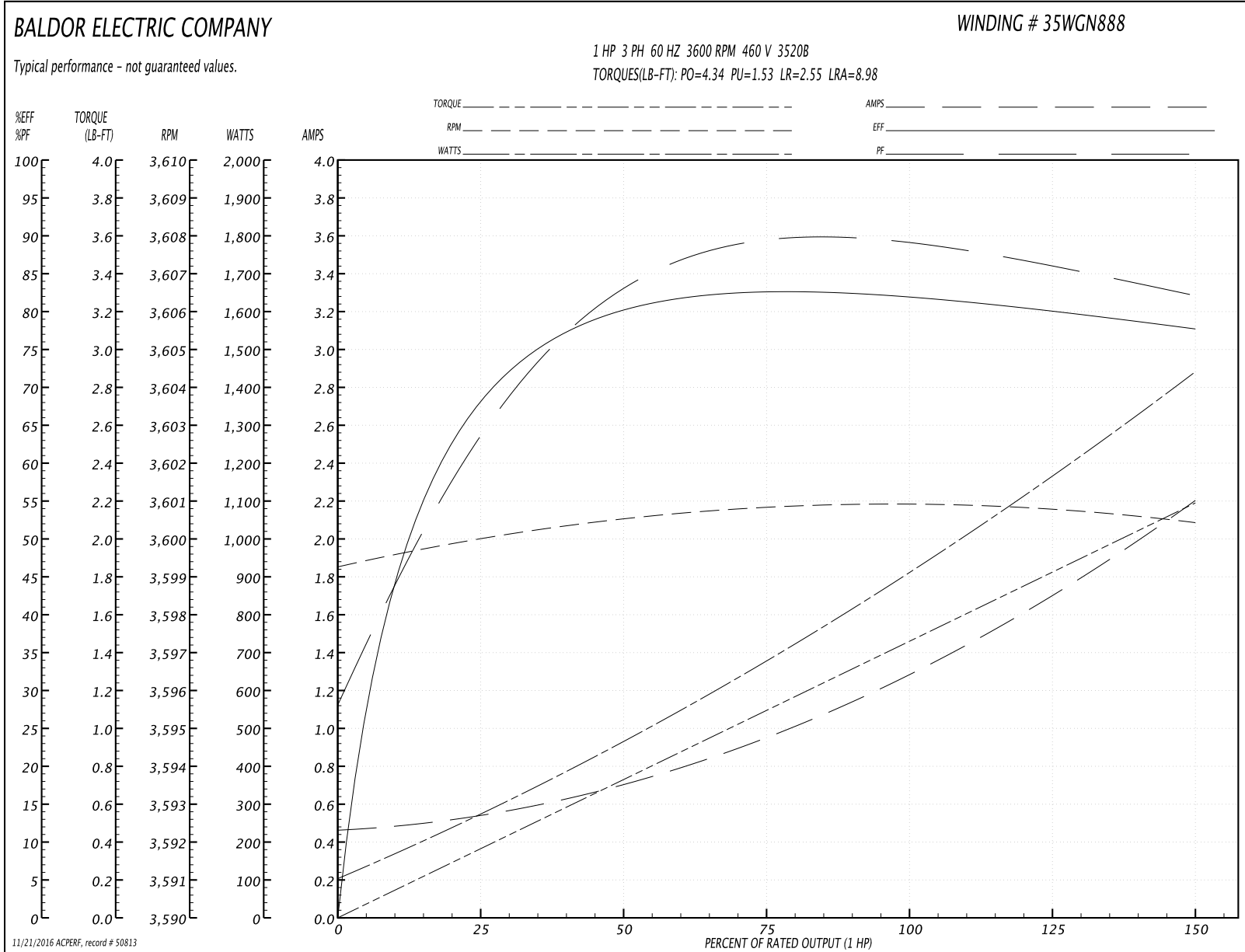
Winding: 35WGN888-R002	Type: 3520B	Enclosure: TEFC
-------------------------------	--------------------	------------------------

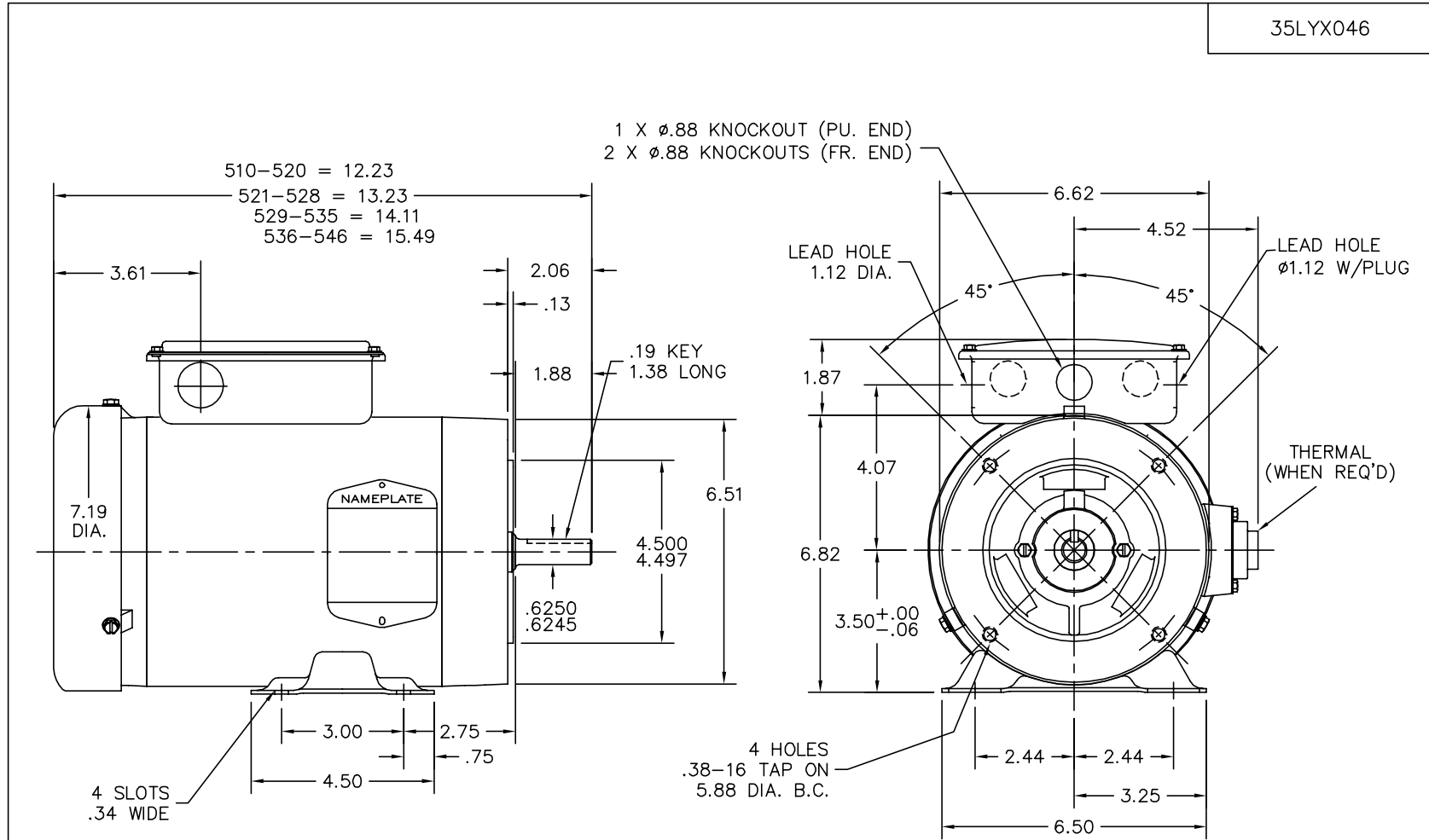
Nameplate Data				460 V, 60 Hz: High Voltage Connection	
Rated Output (HP)	1			Full Load Torque	1.45 LB-FT
Volts	230/460			Start Configuration	direct on line
Full Load Amps	2.6/1.3			Breakdown Torque	4.34 LB-FT
R.P.M.	3600			Pull-up Torque	1.53 LB-FT
Hz	60	Phase	3	Locked-rotor Torque	2.55 LB-FT
NEMA Design Code	B	KVA Code	J	Starting Current	8.98 A
Service Factor (S.F.)	1			No-load Current	0.465 A
NEMA Nom. Eff.	82	Power Factor	88	Line-line Res. @ 25°C	22.816 Ω
Rating - Duty	40C AMB-CONT			Temp. Rise @ Rated Load	

Load Characteristics 460 V, 60 Hz, 1 HP

% of Rated Load	25	50	75	100	125	150
Power Factor	67	85	88	89	87	82
Efficiency	67.3	79	82.3	82.5	81.2	77
Speed	3600.4	3600.8	3600.4	3600.9	3600.8	3600.5
Line amperes	0.534	0.705	0.975	1.28	1.66	2.22

Performance Graph at 460V, 60Hz, 1.0HP Typical performance - Not guaranteed values





CUSTOMER IS RESPONSIBLE FOR DETERMINING THAT MOTOR PERFORMANCE IS SUITABLE IN THE APPLICATION.

REV. DESC: NEW		
REV. LTR: -	VERSION: 00	TDR: 000000448470
904XY35L	FILE: \AAA\00152\645	REVISED: 15:24:47 12/03/2007
	MTL: -	BY: ENALEMO

BALDOR • DODGE • RELIANCE

HORZ 56C TEFC M F3 W/35CB4007

35LYX046