

BALDOR® • **RELIANCE**

Product Information Packet

CTM4104T

30 AIR OVERHP,1760RPM,3PH,60HZ,286T,0964

Part Detail							
Revision:	E	Status:	PRD/A	Change #:		Proprietary:	No
Type:	AC	Prod. Type:	0964M	Elec. Spec:	09WGY208	CD Diagram:	CD0005
Enclosure:	TEAO	Mfg Plant:		Mech. Spec:	09L879	Layout:	09LYL879
Frame:	286T	Mounting:	F1	Poles:	04	Created Date:	08-14-2015
Base:	RG	Rotation:	R	Insulation:	F	Eff. Date:	06-20-2016
Leads:	9#8					Replaced By:	
Literature:		Elec. Diagram:					

Nameplate NP1258E			
CAT.NO.	CTM4104T		
SPEC.	09L879Y208H2		
HP	30 AIR OVER		
VOLTS	230/460		
AMP	72/36		
RPM	1760		
FRAME	286T	HZ	60
SER.F.	1.15	CODE	H
NEMA-NOM-EFF	92.4	PF	84
RATING	40C AMB-CONT		
CC		DES	B
DE	6311	ODE	6208
ENCL	TEAO	SN	
	1800 FPM @ 250 CFM		
		PH	3
		CL	F
		USABLE AT 208V	77.4

Parts List		
Part Number	Description	Quantity
SA305627	SA 09L879Y208H2	1.000 EA
RA292853	RA 09L879Y208H2	1.000 EA
10CB1000A132E	SPL KOBX W/E-COAT	1.000 EA
HA4044A00	PLUG,PIPE 1/8 NPT PLASTIC SQUARE HEAD	2.000 EA
09GS1010	GASKET, DWG, LEADWIRE SEPERATOR	1.000 EA
10XN3118K16	5/16-18 X 1' GRADE #5, STL, ZINC PLATE	4.000 EA
HW1001A31	LOCKWASHER 5/16, ZINC PLT.591 OD, .319 I	4.000 EA
WD1000B16	T&B CX70TN TERMINAL	1.000 EA
10XN2520K06	1/4-20 X 3/8" HX HD SCREWGRADE 5, ZINC P	1.000 EA
HW1001A25	LOCKWASHER 1/4, ZINC PLT .493 OD, .255 I	1.000 EA
09EP1100C44E	MACH'D E-COAT FREP, SPL DRAINS	1.000 EA
10XN3816K28	3/8-16 X 1.75 HEX HD CAP SCREW, GRADE 5	4.000 EA
HW1001A38	LOCKWASHER 3/8, ZINC PLT .688 OD, .382 I	4.000 EA
HA7205	"L" SHAPE LIFTING LUG FOR 37,39 & 40 FRA	2.000 EA
HW5100A08	W3118-035 WVY WSHR (WB)	1.000 EA
09EP1116A36E	PU ENDPLATE, MACH W/E-COAT	1.000 EA
HW4600A49	CR #20643 SINGLE LIP SEAL	1.000 EA
HW4600B40	V-RING SLINGER 2.000 X 2.680 X .28 VITON	1.000 EA
HW4600G53	DOME SLINGER, 5.438 OD X 1.620/1.562 ID	1.000 EA
10XN3816K28	3/8-16 X 1.75 HEX HD CAP SCREW, GRADE 5	4.000 EA
HW1001A38	LOCKWASHER 3/8, ZINC PLT .688 OD, .382 I	4.000 EA
10XN3118K40	5/16-18 X 2.50" HEX HD, GRADE 5	4.000 EA
10CB1503A01P	CONDUIT BOX LIPPED LID, MACH W/EPXY PRMR	1.000 EA
14GS1003	GASKET CONDUIT BOX LID, NEOP	1.000 EA

Parts List (continued)		
Part Number	Description	Quantity
10XN2520K16	1/4-20 X 1" HX HD SCRW GRADE 5, ZINC P	4.000 EA
HW1001A25	LOCKWASHER 1/4, ZINC PLT .493 OD, .255 I	4.000 EA
HW2501H28	KEY, 1/2 SQ X 3.250	1.000 EA
MJ5001A27	32220KN GRAY SEALER *MIN BUY 4 QTS=1GAL	0.031 QT
MJ5001A14	DYNAPRO SEAL, CP MOTORS VC#2508050 (603	0.023 EA
MJ5002A01	SILICON RUBBER SEALANT, 732CL 10.3 OZ TU	0.025 EA
LB1115N	LABEL,LIFTING DEVICE (ON ROLLS)	1.000 EA
LB1182	WARNING LABEL FOR MOTORS WITH EYENUTS	2.000 EA
LB1002N	LABEL,MARINE DUTY (ON ROLLS)	1.000 EA
HA4054	SHORT T-DRAIN FITTING, .125" N.P.T.	3.000 EA
MJ1000A02	GREASE, POLYREX EM EXXON (USe 4824-15A)	0.080 LB
HA4054	SHORT T-DRAIN FITTING, .125" N.P.T.	3.000 EA
MG1025G05	WILKOFASST, 789.227, MED. GRAY CHAR. MET.	0.050 GA
85XU0407S04	4X1/4 U DRIVE PIN STAINLESS	2.000 EA
LC0005E02	SPL CONN.DIA./WARN.LABEL(LC0005/LB1119)	1.000 EA
NP1258E	SS CP UL CSA CC	1.000 EA
40PA1005	PACKAGING GROUP, 09 STD	1.000 EA
MN416A01	TAG-INSTAL-MAINT no wire (1200/bx) 11/14	1.000 EA
LB1417	LABEL CARTON 6X4 PERFORATED BLANK ROLLS	1.000 EA

Accessories		
Part Number	Description	Multiplier
09-1310	C FACE KIT	A8

AC Induction Motor Performance Data

Record # 52121 - Typical performance - not guaranteed values

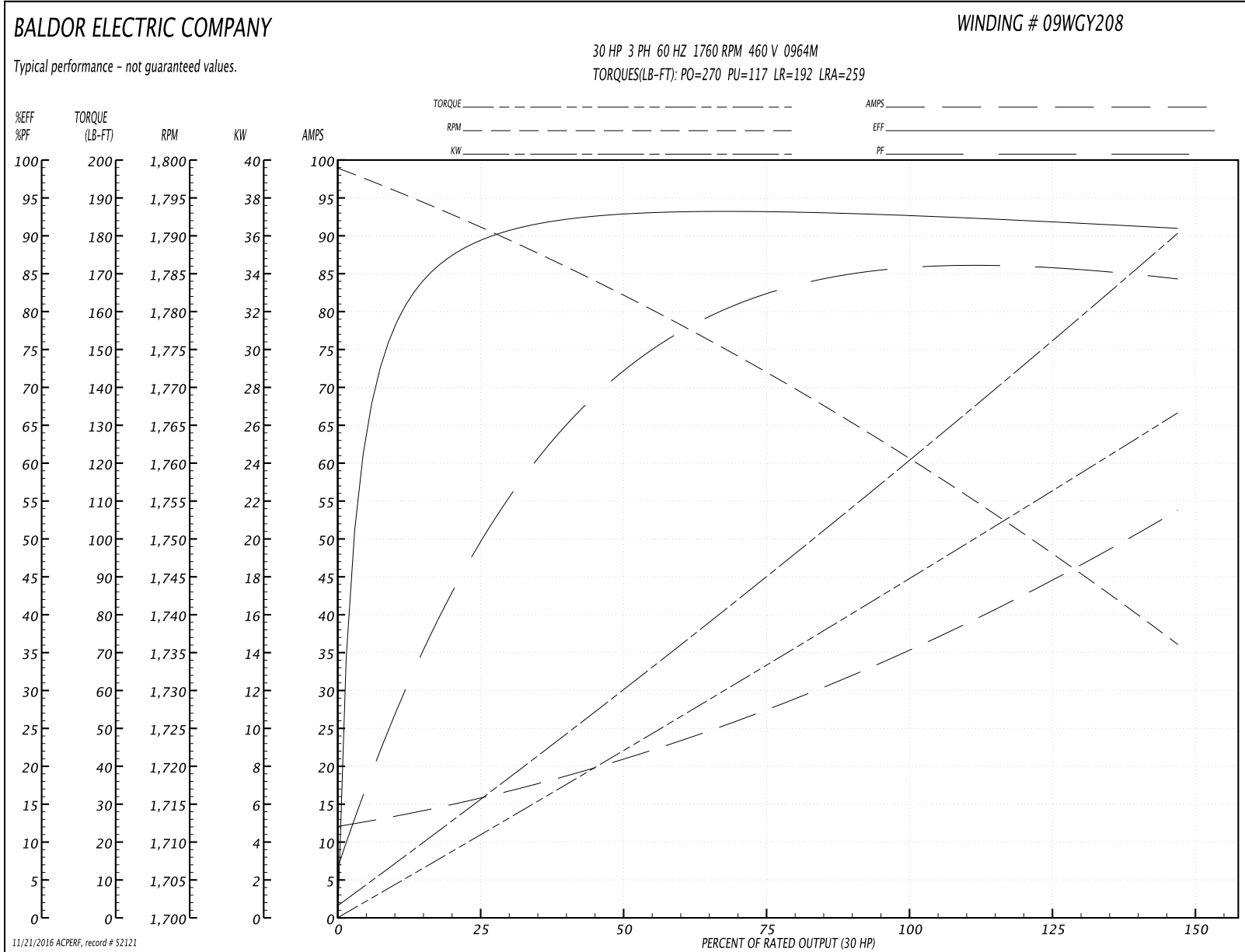
Winding: 09WGY208-R014	Type: 0964M	Enclosure: TEAO
-------------------------------	--------------------	------------------------

Nameplate Data				460 V, 60 Hz: High Voltage Connection	
Rated Output (HP)	30 AIR OVER			Full Load Torque	88.9 LB-FT
Volts	230/460			Start Configuration	direct on line
Full Load Amps	72/36			Breakdown Torque	270 LB-FT
R.P.M.	1760			Pull-up Torque	117 LB-FT
Hz	60	Phase	3	Locked-rotor Torque	192 LB-FT
NEMA Design Code	B	KVA Code	H	Starting Current	259 A
Service Factor (S.F.)	1.15			No-load Current	12.7 A
NEMA Nom. Eff.	92.4	Power Factor	84	Line-line Res. @ 25°C	0.257 Ω
Rating - Duty	40C AMB-CONT			Temp. Rise @ Rated Load	68°C
S.F. Amps				Temp. Rise @ S.F. Load	84°C
				Locked-rotor Power Factor	30
				Rotor inertia	2.8 LB-FT ²

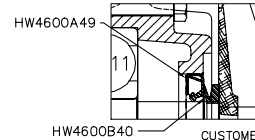
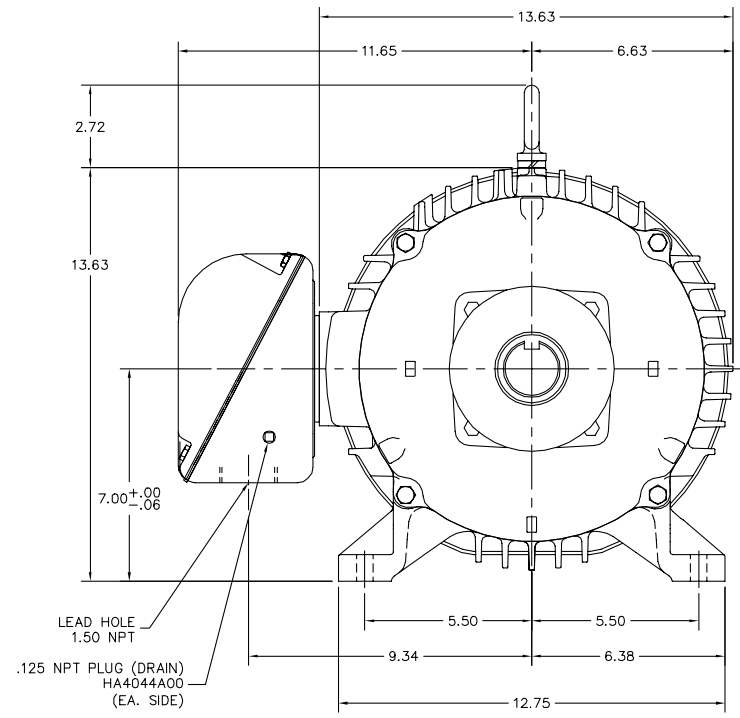
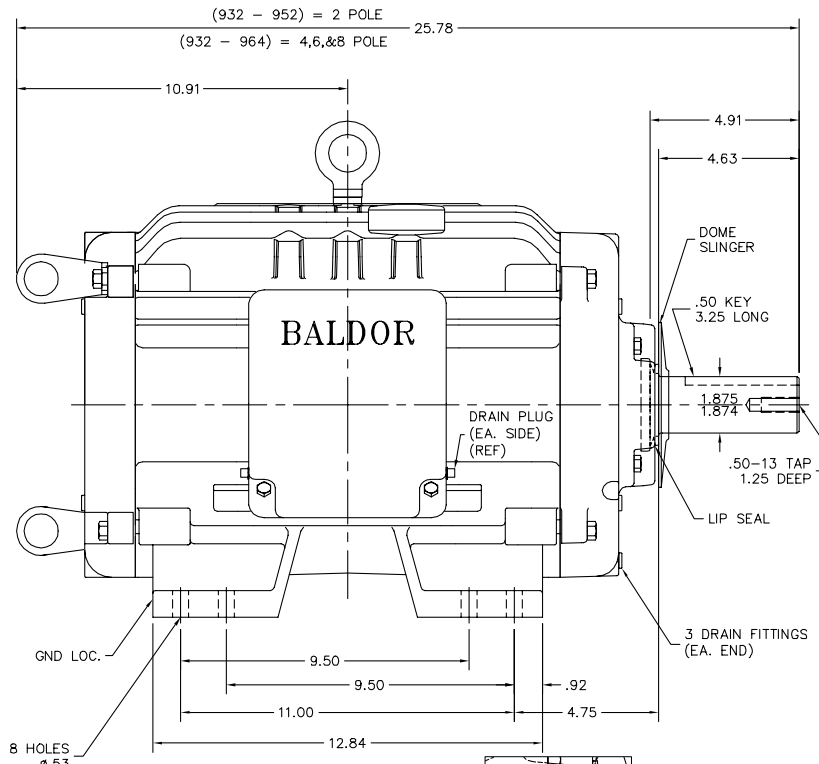
Load Characteristics 460 V, 60 Hz, 30 HP

% of Rated Load	25	50	75	100	125	150	S.F.
Power Factor	51	73	81	84	86	86	85
Efficiency	88.9	92.7	93.2	92.8	92	90.9	92.3
Speed	1791	1782	1772	1761	1749	1736	1754
Line amperes	15	20.7	27.5	35.8	44.1	53.4	40.78

Performance Graph at 460V, 60Hz, 30.0HP Typical performance - Not guaranteed values



09LYL879



CUSTOMER ONLY NOTE: FOR VERTICAL SHAFT UP LIFTING, REMOVE EYEBOLT FROM TOP OF MOTOR AND SCREW INTO END OF SHAFT.

CUSTOMER IS RESPONSIBLE FOR DETERMINING THAT BALDOR'S PRODUCT WILL PERFORM SUITABLY IN THE INTENDED APPLICATION.

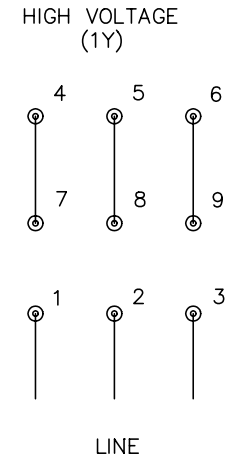
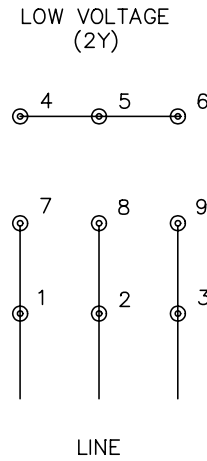
REV. DESC: CHGD DRAIN FITTING CALL OUT	VERSION: 02	TDR: 000000988373
REV. LTR: B		
FILE: \AAA\00220\852	REVISED: 02:56:30 07/13/2016	BY: ENSHABO
MTL: -		

BALDOR

HOR TEAO 284-6T CP COOLING TOWER,SLD BRGS,LIP,DOME SLINGER
SH 1 of 1

6ZYL879

CD0005



NOTES:

1. INTERCHANGE ANY TWO LINE LEADS TO REVERSE ROTATION.
2. OPTIONAL THERMOSTATS ARE PROVIDED WHEN SPECIFIED.
3. ACTUAL NUMBER OF INTERNAL PARALLEL CIRCUITS MAY BE A MULTIPLE OF THOSE SHOWN ABOVE.
4. LEAD COLORS ARE OPTIONAL. LEADS MUST ALWAYS BE NUMBERED AS SHOWN.

REV. DESC: REVISE TO SHOW OPTIONAL COLORS			
REV. LTR: E	BY: JLP	REVISED: 01/19/99 10:15	TDR: 0171435
9000D		FILE: AAA00005140	MDL: -
		MTL: -	

BALDOR ELECTRIC Co.

3PH, DV, 9 LEADS

CD0005