

# **BALDOR**® • **RELIANCE**

## **Product Information Packet**

# **CTM4110T**

**40 AIR OVERHP,1775RPM,3PH,60HZ,324T,1248**

Part Detail							
Revision:	D	Status:	PRD/A	Change #:		Proprietary:	No
Type:	AC	Prod. Type:	1248M	Elec. Spec:	12WGX276	CD Diagram:	CD0180
Enclosure:	TEAO	Mfg Plant:		Mech. Spec:	12H727	Layout:	12LYH727
Frame:	324T	Mounting:	F1	Poles:	04	Created Date:	08-17-2015
Base:	RG	Rotation:	R	Insulation:	F	Eff. Date:	12-15-2015
Leads:	9#8					Replaced By:	
Literature:		Elec. Diagram:					

Nameplate NP1258E			
CAT.NO.	CTM4110T		
SPEC.	12H727X276H2		
HP	40 AIR OVER		
VOLTS	230/460		
AMP	94/47		
RPM	1775		
FRAME	324T	HZ	60
SER.F.	1.15	CODE	G
NEMA-NOM-EFF	93	PF	85
RATING	40C AMB-CONT		
CC		DES	B
DE	6312	ODE	6311
ENCL	TEAO	SN	
	2050 FPM @ 520CFM		
		PH	3
		CL	F
		USABLE AT 208V	101

Parts List		
Part Number	Description	Quantity
SA305663	SA 12H727X276H2	1.000 EA
RA292889	RA 12H727X276H2	1.000 EA
10CB1000A131E	SPL KOBX W/E-COAT	1.000 EA
09GS1010	GASKET, DWG, LEADWIRE SEPERATOR	1.000 EA
10XN3118K16	5/16-18 X 1' GRADE #5, STL, ZINC PLATE	4.000 EA
HW1001A31	LOCKWASHER 5/16, ZINC PLT.591 OD, .319 I	4.000 EA
HA4044A00	PLUG,PIPE 1/8 NPT PLASTIC SQUARE HEAD	2.000 EA
WD1000B16	T&B CX70TN TERMINAL	1.000 EA
10XN2520K08	1/4-20 X .50 GRADE #5, STL, ZINC PLATE	1.000 EA
HW1001A25	LOCKWASHER 1/4, ZINC PLT .493 OD, .255 I	1.000 EA
12EP1107B02P	FREP TEFC 324-6T; EPOXY PRI	1.000 EA
10XN5013K32	1/2-13 X 2.00" HEX HD GRD 5 (20051)	4.000 EA
HW1001A50	LOCKWASHER 1/2, ZINC PLT.,879 OD, .509 I	4.000 EA
HA7204	"L" SHAPE LIFTING LUG FOR 42 FRAME MOTOR	2.000 EA
HW5100A13	W4627-047 WVY WSHER	1.000 EA
12EP1106A91E	PUEP,MACH W/E-COAT, LIP SEAL, LESS GRSRS	1.000 EA
HW4600B37	SEAL 2.250 X 3.000 X .375 SINGLE LIP	1.000 EA
HW4600G55	DOME SLINGER, 7.125 OD X 2.120/2.060 ID	1.000 EA
10XN5013K28	1/2-13 X 1.75 HEX HEAD MACH SCREW,GRAD	4.000 EA
HW1001A50	LOCKWASHER 1/2, ZINC PLT.,879 OD, .509 I	4.000 EA
10XN3118K40	5/16-18 X 2.50" HEX HD, GRADE 5	4.000 EA
10CB1503A01P	CONDUIT BOX LIPPED LID, MACH W/EPXY PRMR	1.000 EA
14GS1003	GASKET CONDUIT BOX LID, NEOP	1.000 EA
10XN2520K16	1/4-20 X 1" HX HD SCRW GRADE 5, ZINC P	4.000 EA

Parts List (continued)		
Part Number	Description	Quantity
HW1001A25	LOCKWASHER 1/4, ZINC PLT .493 OD, .255 I	4.000 EA
HA1005A06	SLINGER, OD 3.62, ID 2.15	1.000 EA
HW2501H33	KEY, 1/2 SQ X 3.875	1.000 EA
MJ5001A27	32220KN GRAY SEALER *MIN BUY 4 QTS=1GAL	0.031 QT
MJ5001A14	DYNAPRO SEAL, CP MOTORS VC#2508050 (603	0.030 EA
MJ5002A01	SILICON RUBBER SEALANT, 732CL 10.3 OZ TU	0.025 EA
LB1115N	LABEL,LIFTING DEVICE (ON ROLLS)	1.000 EA
LB1002N	LABEL,MARINE DUTY (ON ROLLS)	1.000 EA
LB1182	WARNING LABEL FOR MOTORS WITH EYENUTS	2.000 EA
HA4054	SHORT T-DRAIN FITTING, .125" N.P.T.	3.000 EA
MJ1000A02	GREASE, POLYREX EM EXXON (USe 4824-15A)	0.200 LB
HA4054	SHORT T-DRAIN FITTING, .125" N.P.T.	3.000 EA
MG1025G05	WILKOFASST, 789.227, MED. GRAY CHAR. MET.	0.080 GA
85XU0407S04	4X1/4 U DRIVE PIN STAINLESS	2.000 EA
LB1119N	WARNING LABEL	1.000 EA
LC0181	CONNECTION LABEL	1.000 EA
NP1258E	SS CP UL CSA CC	1.000 EA
12PA1000	PACKAGING GROUP PRINT PK1024A06	1.000 EA
MN416A01	TAG-INSTAL-MAINT no wire (1200/bx) 11/14	1.000 EA
LB1417	LABEL CARTON 6X4 PERFORATED BLANK ROLLS	1.000 EA

**AC Induction Motor Performance Data**

Record # 52135 - Typical performance - not guaranteed values

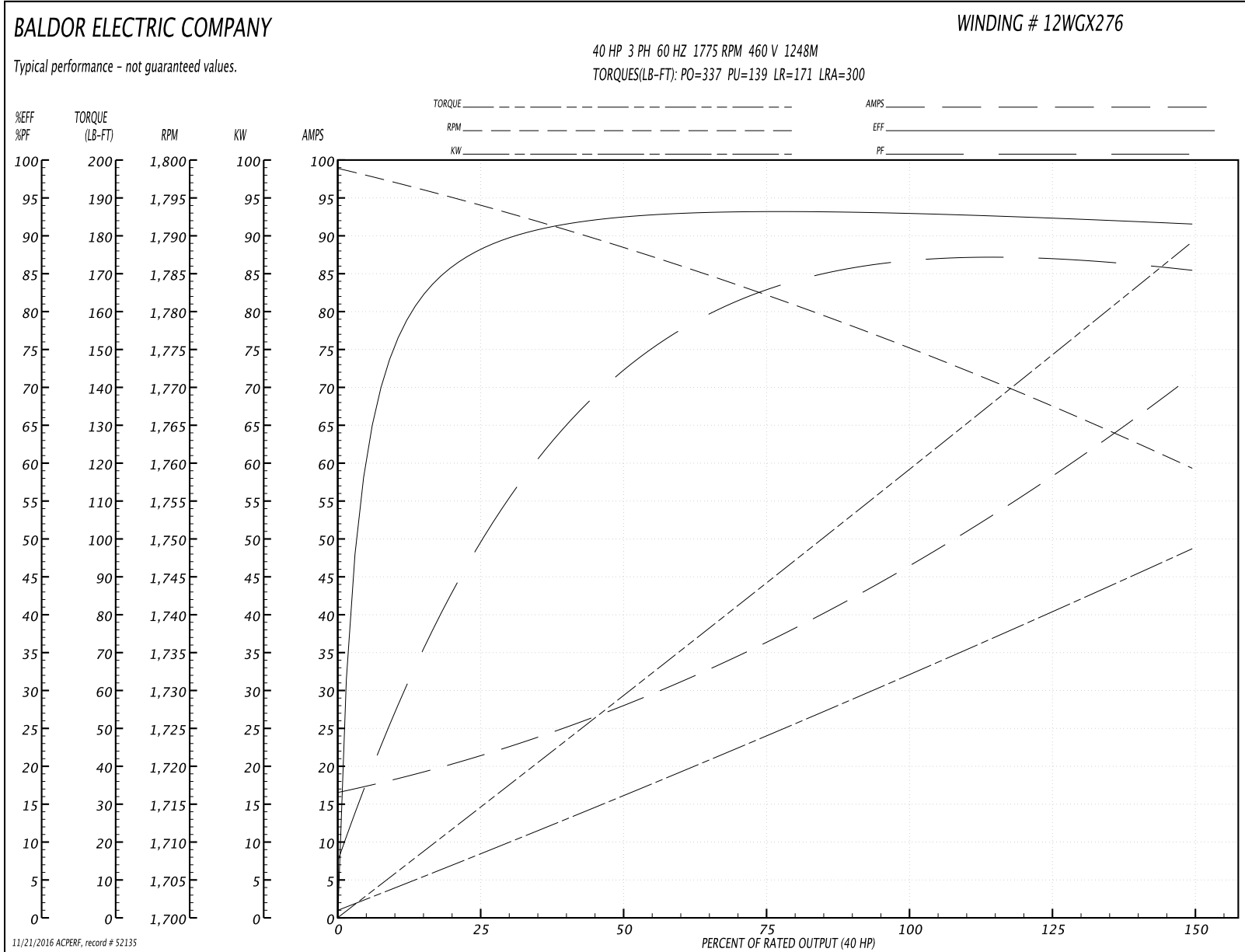
<b>Winding:</b> 12WGX276-R006	<b>Type:</b> 1248M	<b>Enclosure:</b> TEAO
-------------------------------	--------------------	------------------------

Nameplate Data				460 V, 60 Hz: High Voltage Connection	
Rated Output (HP)	40 AIR OVER			Full Load Torque	119 LB-FT
Volts	230/460			Start Configuration	direct on line
Full Load Amps	94/47			Breakdown Torque	337 LB-FT
R.P.M.	1775			Pull-up Torque	139 LB-FT
Hz	60	Phase	3	Locked-rotor Torque	171 LB-FT
NEMA Design Code	B	KVA Code	G	Starting Current	300 A
Service Factor (S.F.)	1.15			No-load Current	17.3 A
NEMA Nom. Eff.	93	Power Factor	85	Line-line Res. @ 25°C	0.158 Ω
Rating - Duty	40C AMB-CONT			Temp. Rise @ Rated Load	58°C
S.F. Amps				Temp. Rise @ S.F. Load	77°C
				Locked-rotor Power Factor	27
				Rotor inertia	6.39 LB-FT <sup>2</sup>

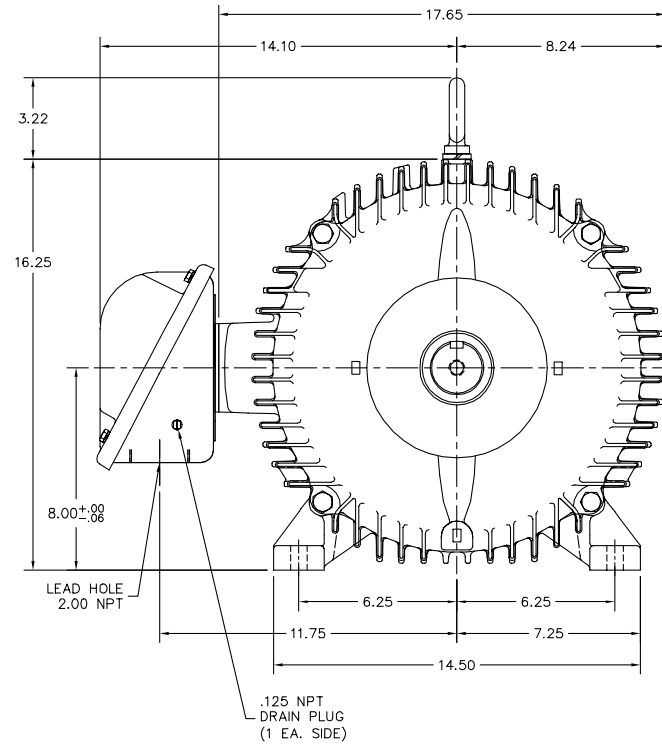
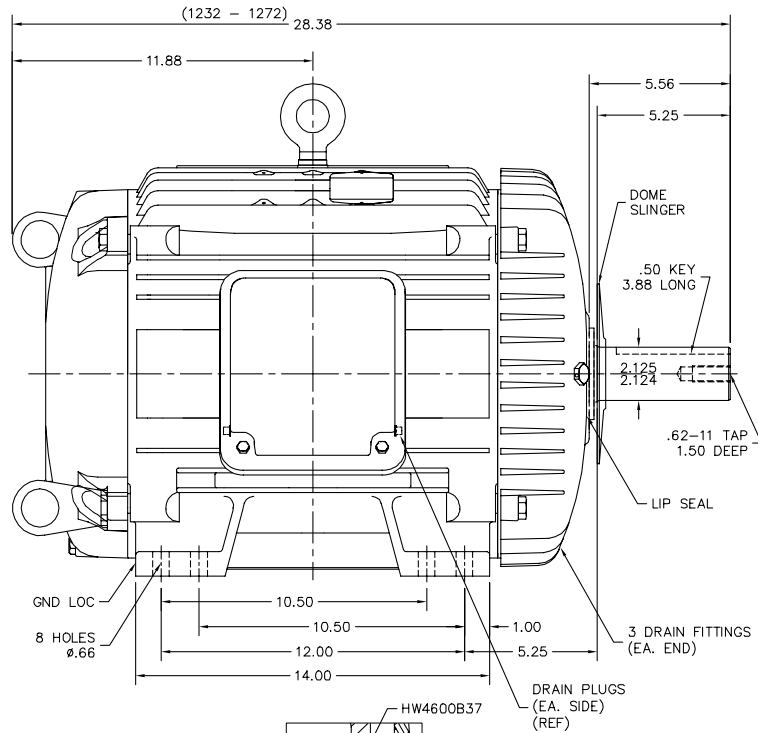
Load Characteristics 460 V, 60 Hz, 40 HP

% of Rated Load	25	50	75	100	125	150	S.F.
Power Factor	52	73	82	85	87	86	86
Efficiency	88.1	92.4	93.2	93	92.4	91.5	92.6
Speed	1794	1788	1782	1775	1768	1759	1771
Line amperes	20.5	27.7	36.9	47.4	58.6	71.1	54.1

Performance Graph at 460V, 60Hz, 40.0HP Typical performance - Not guaranteed values



12LYH727



CUSTOMER ONLY NOTE: FOR VERTICAL SHAFT UP LIFTING, REMOVE EYEBOLT FROM TOP OF MOTOR AND SCREW INTO END OF SHAFT.

CUSTOMER IS RESPONSIBLE FOR DETERMINING THAT BALDOR'S PRODUCT WILL PERFORM SUITABLY IN THE INTENDED APPLICATION.

REV. DESC: REMOVE LOCKNUT	VERSION: 01	TDR: 000000957007
REV. LTR: A	REVISED: 02: 37: 31 12/11/2015	BY: ENMARS0
FILE: \AAA\00220\831		
MTL: -		

**BALDOR**

HOR TEAO 324-6T CP COOLING TOWER,SLD BRGS,SEAL,DOME,VER LIFT

SH 1 of 1

12LYH727

CD0180



LOW VOLTAGE  
(2D)



HIGH VOLTAGE  
(1D)



NOTES:

1. INTERCHANGE ANY TWO LINE LEADS TO REVERSE ROTATION.
2. OPTIONAL THERMOSTATS ARE PROVIDED WHEN SPECIFIED.
3. ACTUAL NUMBER OF INTERNAL PARALLEL CIRCUITS MAY BE A MULTIPLE OF THOSE SHOWN ABOVE.
4. LEAD COLORS ARE OPTIONAL. LEADS MUST ALWAYS BE NUMBERED AS SHOWN.

REV. DESC: REVISE TO SHOW OPTIONAL COLORS			
REV. LTR: C	BY: JLP	REVISED: 01/21/99 2:28	TDR: 0171435
0810D0		FILE: AAA00005148	MDL: -
		MTL: -	

**BALDOR ELECTRIC Co.**

3PH, DV, 9 LEADS, DELTA CONNECTION

CD0180