

BALDOR® • **RELIANCE**

Product Information Packet

ECP49306T-4

300HP, 1200RPM, 3PH, 60HZ, L449T, TEFC, FOOT,

| Part Detail | | | | | | | |
|-------------|----------------------|----------------|---------|-------------|-----------|---------------|------------|
| Revision: | E | Status: | PRD/A | Change #: | | Proprietary: | No |
| Type: | AC | Prod. Type: | A44208M | Elec. Spec: | A44WG4970 | CD Diagram: | 416820-036 |
| Enclosure: | TEFC | Mfg Plant: | | Mech. Spec: | | Layout: | 617423-006 |
| Frame: | L449T | Mounting: | F1 | Poles: | 06 | Created Date: | 01-06-2014 |
| Base: | | Rotation: | R | Insulation: | F | Eff. Date: | 09-17-2015 |
| Leads: | 3#2/0 (02 per group) | | | | | Replaced By: | |
| Literature: | | Elec. Diagram: | | | | | |

| Nameplate NP3238 | | | | | | | | | |
|--------------------|-------------|-----------------|---------------|---------------|------|-----------------------|------|---------------------|------|
| CAT NO | ECP49306T-4 | SPEC NO. | A44-2587-4970 | | | | | | |
| HP | 300 | AMPS | 340 | VOLTS | 460 | DESIGN | B | | |
| FRAME | L449T | RPM | 1190 | HZ | 60 | AMB | 40 | SF | 1.15 |
| D.E. BRG.DATA | 6222 | O.D.E. BRG.DATA | 6318 | PH | 3 | DUTY | CONT | INSUL.CLASS | F |
| D.E. BRG. | 110BC02J30X | TYPE | P | ENCL | TEFC | CODE | G | NEMA NOM EFFICIENCY | 95.8 |
| O.D.E. BRG. | 90BC03J30X | POWER FACTOR | 86 | MAX CORR KVAR | 61.0 | GUARANTEED EFFICIENCY | 95 | | |
| 3/4 LOAD EFF. | 96.1 | TEMP | = 230 | | | | | | |
| TEMP CODE | T2C | CT HZ | 30-60 | VT HZ | 0-60 | | | | |
| CHP HZ | 60-90 | | | | | | | | |
| INVERTER-TEMP-CODE | T2C | | | | | | | | |
| SER.NO. | | MOTOR WEIGHT | 3683 | | | | | | |

| Parts List | | |
|-------------|---------------------------------------|----------|
| Part Number | Description | Quantity |
| SA274368 | SA A44-2587-4970 | 1.000 EA |
| RA260954 | RA A44-2587-4970 | 1.000 EA |
| 000613006PU | N/P (RELEASE QTY 10,000) UL CSA LABEL | 1.000 EA |
| NP3238 | SS CP XEX SEVERE DUTY MAIN NP | 1.000 EA |
| 000692000FF | N/P | 1.000 EA |
| 000692000VD | LABEL WARNING | 1.000 EA |
| 004824015A | GREASE POLYREX EM | 1.156 LB |
| 032018008CK | HHCS 3/8-16X1L PLATED | 4.000 EA |
| 032018020FK | HHCS 3/4-10X2-1/2 PLTD. | 4.000 EA |
| 032018036DK | HHCS 1/2-13X4-1/2 PLTD. | 3.000 EA |
| 034017014AB | LCKW 3/8 STD. PLATED | 4.000 EA |
| 034180014DA | KEY 1/4X1/4X1-3/4 L | 1.000 EA |
| 034530064AB | P/NIP 1/8 X 8" L Pipe Nipple | 1.000 EA |
| 034530064BB | P/NIP 1/4X8 PLATED | 1.000 EA |
| 034631002AB | BUSH 1/4 TO 1/8 PLTD. | 1.000 EA |
| 035000001G | GREASE RELIEF FITTING, ALEMITE 317400 | 1.000 EA |
| 083199082A | G28 FAN COVER MACHINING SHORT VERSION | 1.000 EA |
| 089490099A | G28 BRKT 089490098WCA KB | 1.000 EA |
| 410700004A | WSHR | 1.000 EA |
| 415045002A | SLGR | 1.000 EA |
| 415096002A | CPLG 1/8 HEX TYPE | 1.000 EA |
| 412118006A | DRAIN | 1.000 EA |
| 702618004T | FAN KB 182/70 (112) 440 | 1.000 EA |
| 032018004BK | HHCS 5/16-18X1/2 PLATED | 3.000 EA |

| Parts List (continued) | | |
|------------------------|--|----------|
| Part Number | Description | Quantity |
| 032018006BK | HHCS 5/16-18X3/4 PLATED | 3.000 EA |
| 032018020FK | HHCS 3/4-10X2-1/2 PLTD. | 4.000 EA |
| 032018030DK | HHCS 1/2-13X3-3/4 PLTD. | 3.000 EA |
| 034017013AB | LCKW 5/16 STD. PLATED | 3.000 EA |
| 702623022A | G28 AIR DEFLECTOR DRIVE END -- PLASTIC | 1.000 EA |
| 034530056AB | 1/8 X 7 PP NIPPLE | 1.000 EA |
| 034530056BB | P/NIP 1/4X7 SCHED 40 | 1.000 EA |
| 035000001G | GREASE RELIEF FITTING, ALEMITE 317400 | 1.000 EA |
| 034017013AB | LCKW 5/16 STD. PLATED | 3.000 EA |
| 089490101A | G28 BRKT 089490100WCA | 1.000 EA |
| 415096002A | CPLG 1/8 HEX TYPE | 1.000 EA |
| 034631002AB | BUSH 1/4 TO 1/8 PLTD. | 1.000 EA |
| 418151014H | RETAIN RING | 1.000 EA |
| 412118006A | DRAIN | 1.000 EA |
| 702623013A | THERMAL BARRIER -- G28 -- BRACKET MTD | 1.000 EA |
| 032018008BK | HHCS 5/16-18X1L PLATED | 4.000 EA |
| 415915007G | GASK, LAC | 1.000 FT |
| 032018008DK | HHCS 1/2-13X1 PLATED | 4.000 EA |
| 033512004LB | HHTTS 1/4-20X1/2 PLTD. | 1.000 EA |
| 035000001A | ALFTG 1/8" 1610-BL | 1.000 EA |
| 035000001A | ALFTG 1/8" 1610-BL | 1.000 EA |
| 067053014A | GASK 440 | 1.000 EA |
| 076870000B | +CBCST BLKT - 440 | 1.000 EA |
| 076871000A | +CBOX CVR BLKT - 449 | 1.000 EA |

Product Information Packet: ECP49306T-4 - 300HP,1200RPM,3PH,60HZ,L449T,TEFC,FOOT,

| | | |
|--------------|---|----------|
| 406056007A | GASKET, 440 | 1.000 EA |
| 406099000A | PLUG - FAN COVER 320-440 | 1.000 EA |
| 415000103D | T/LUG #4AWG-1/0AWG W/HOLE FOR .250 BOLT | 1.000 EA |
| 418150003A | GREASE FITTING CAP | 1.000 EA |
| 418150003A | GREASE FITTING CAP | 1.000 EA |
| 415030115A | G28 C/BOX 415030114WCA | 1.000 EA |
| 032130014DB | HSHCS1/2-13X1-3/4 PLATE | 4.000 EA |
| 034000016AB | WSHR .531ID 1.062OD .095 | 4.000 EA |
| 415039027A | GASKET, G28 LEAD THROAT | 1.000 EA |
| 033775004EA | DRSCR #6-1/4 304 S.S. | 2.000 EA |
| 034180054KA | KEY 7/8X7/8X6-3/4 L | 1.000 EA |
| MG1025N19 | WILKO 778.50 BLUE GREEN - 55 GAL DRUMS | 0.375 GA |
| 004824003CBY | WILKO PAINT 060.02 - ACTIVATOR | 0.094 GA |
| 421948051 | LABEL, MYLAR | 1.000 EA |
| PK5005A01 | WOOD BASE 449 60 X 41-1/2 BLT 25 X 18 | 1.000 EA |
| LB1449 | DIV-2/NEC WARNING LABEL | 1.000 EA |

| | | | | | | |
|------------|---------------|----------------|-----------|---|-------------|-------|
| REL. S. O. | FRAME | HP | TYPE | PHASE/ HERTZ | RPM | VOLTS |
| | L449T | 300 | P | 3/60 | 1190 | 460 |
| AMPS | DUTY | AMB °C/ INSUL. | S. F. | NEMA DESIGN | CODE LETTER | ENCL. |
| 340 | CONT | 40/F | 1.15 | B | G | TEFC |
| E/S | ROTOR | TEST S. O. | TEST DATE | STATOR RES. @25 °C OHMS (BETWEEN LINES) | | |
| 401936 | 418143-087-SE | --- | --- | .0136 | | |

PERFORMANCE

| LOAD | HP | AMPERES | RPM | POWER FACTOR % | EFFICIENCY % |
|---------|------|---------|------|----------------|--------------|
| NO LOAD | 0 | 86.8 | 1200 | 4.07 | 0 |
| 1/4 | 75.1 | 119 | 1197 | 62.6 | 94.6 |
| 2/4 | 150 | 180 | 1195 | 81.1 | 96.3 |
| 3/4 | 225 | 256 | 1192 | 85.3 | 96.4 |
| 4/4 | 300 | 340 | 1189 | 86.0 | 96.1 |
| 5/4 | 375 | 426 | 1186 | 86.1 | 95.5 |

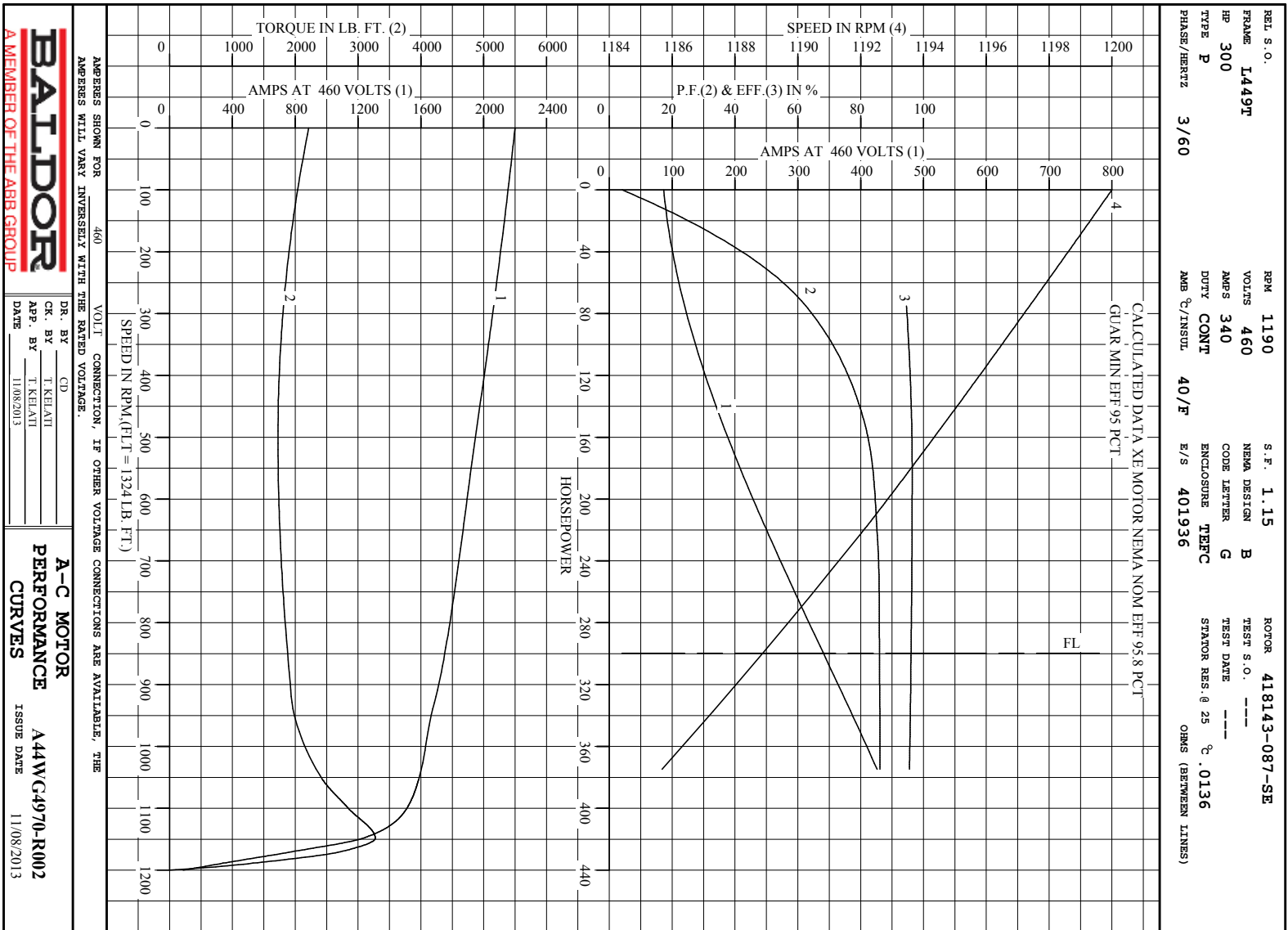
SPEED TORQUE

| | RPM | TORQUE % FULL LOAD | TORQUE LB.-FT. | AMPERES |
|--------------|------|--------------------|----------------|---------|
| LOCKED ROTOR | 0 | 167 | 2214 | 2200 |
| PULL UP | 500 | 130 | 1726 | 1948 |
| BREAKDOWN | 1148 | 247 | 3273 | 1232 |
| FULL LOAD | 1189 | 100 | 1324 | 340 |

AMPERES SHOWN FOR 460. VOLT CONNECTION. IF OTHER VOLTAGE CONNECTIONS ARE AVAILABLE, THE AMPERES WILL VARY INVERSELY WITH THE RATED VOLTAGE

REMARKS : CALCULATED DATA XE MOTOR NEMA NOM EFF 95.8 PCT
 GUAR MIN EFF 95 PCT

| | | | |
|---|---------|------------|---------------------|
|  <p>A MEMBER OF THE ABB GROUP</p> | DR. BY | CD | A-C MOTOR |
| | CK. BY | T. RELIANT | PERFORMANCE DATA |
| | APP. BY | T. RELIANT | A44WG4970-R002 |
| | DATE | 11/08/2013 | ISSUE DATE 11/08/20 |



BALDOR
A MEMBER OF THE ABB GROUP

DR. BY CD
CK. BY T. KEHATI
APP. BY T. KEHATI
DATE 11/08/2013

A-C MOTOR
PERFORMANCE A44W/C4970-R002
CURVES ISSUE DATE 11/08/2013

Printed on 3/25/14 9:28 @ ragsun

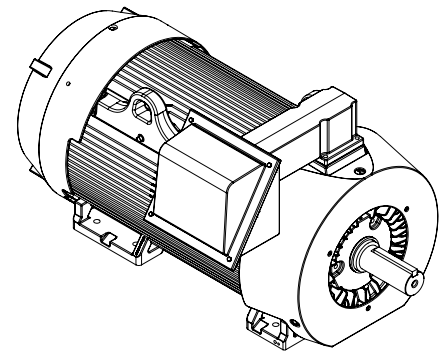
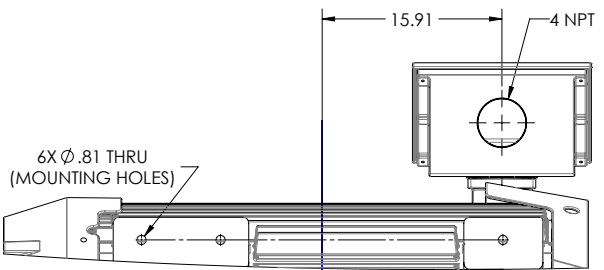
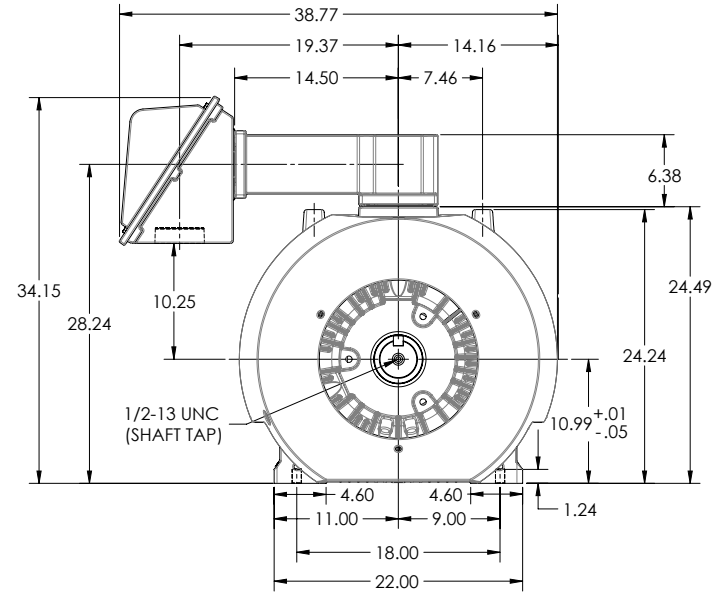
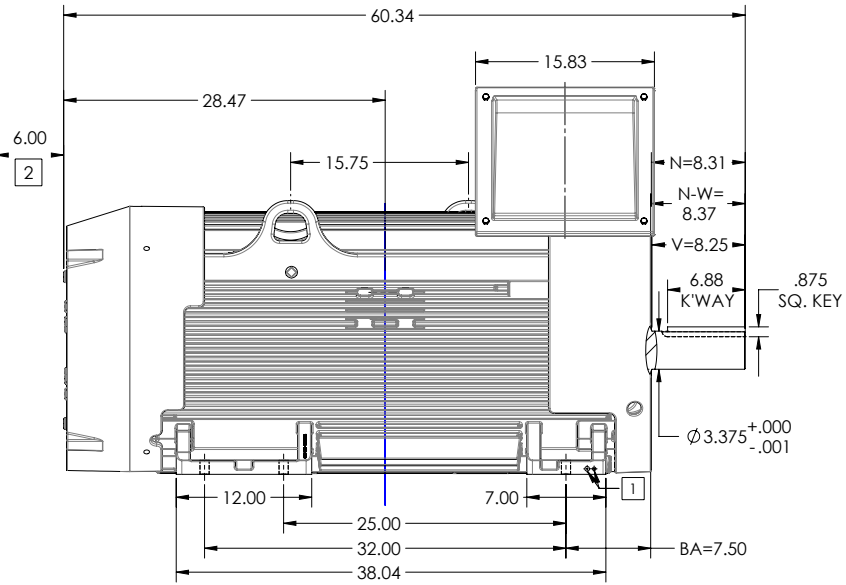
DUTY MASTER ALTERNATING CURRENT MOTORS
SQUIRREL-CAGE INDUCTION

617423-006

ENCLOSURE: TOTALLY ENCLOSED
MOUNTING: FOOT, F-1

GL449T/G449T FRAME MOUNTING HOLES

COOLING: FAN COOLED



1. GROUND HOLES QTY 1 1/2-13 TAP; QTY 1 3/8-16 TAP
 2. OBSTRUCTION MUST NO ENCROACH ON AIR INLET
- CONDUIT BOX LOCATED ON OPPOSITE SIDE WHEN F-2.
IF MOUNTING CLEARANCE DETAILS ARE REQUIRED, CONSULT FACTORY.
MAXIMUM PERMISSIBLE SHAFT RUNOUT WHEN MEASURED AT END OF
STANDARD SHAFT EXTENSION IS .003" T.I.R. TO 5 INCH DIA.

DIMENSIONS ARE IN INCHES; SEE SHEET 2 FOR DIMENSIONS IN MILLIMETERS.
WEIGHT (LBS): 3875, MOTOR WEIGHTS MAY VARY BY 15% DEPENDING ON RATING.
CUSTOMER IS RESPONSIBLE FOR DETERMINING THAT MOTOR PERFORMANCE IS SUITABLE IN THE APPLICATION.

| | | | |
|----------------------|-------------|------------------------------|------------------|
| REV. C | VERSION: 03 | REVISED: 11-13-58 03/30/2016 | TDR: 00000973129 |
| MODEL NO. 617423-006 | | REF: - | |
| BY: USJEDIL | | Material: - | |

BALDOR

GL449/449T F1 FT TEFC -TOP MNT CI C BOX - V-RING SLGRS

900-237219

617423-006

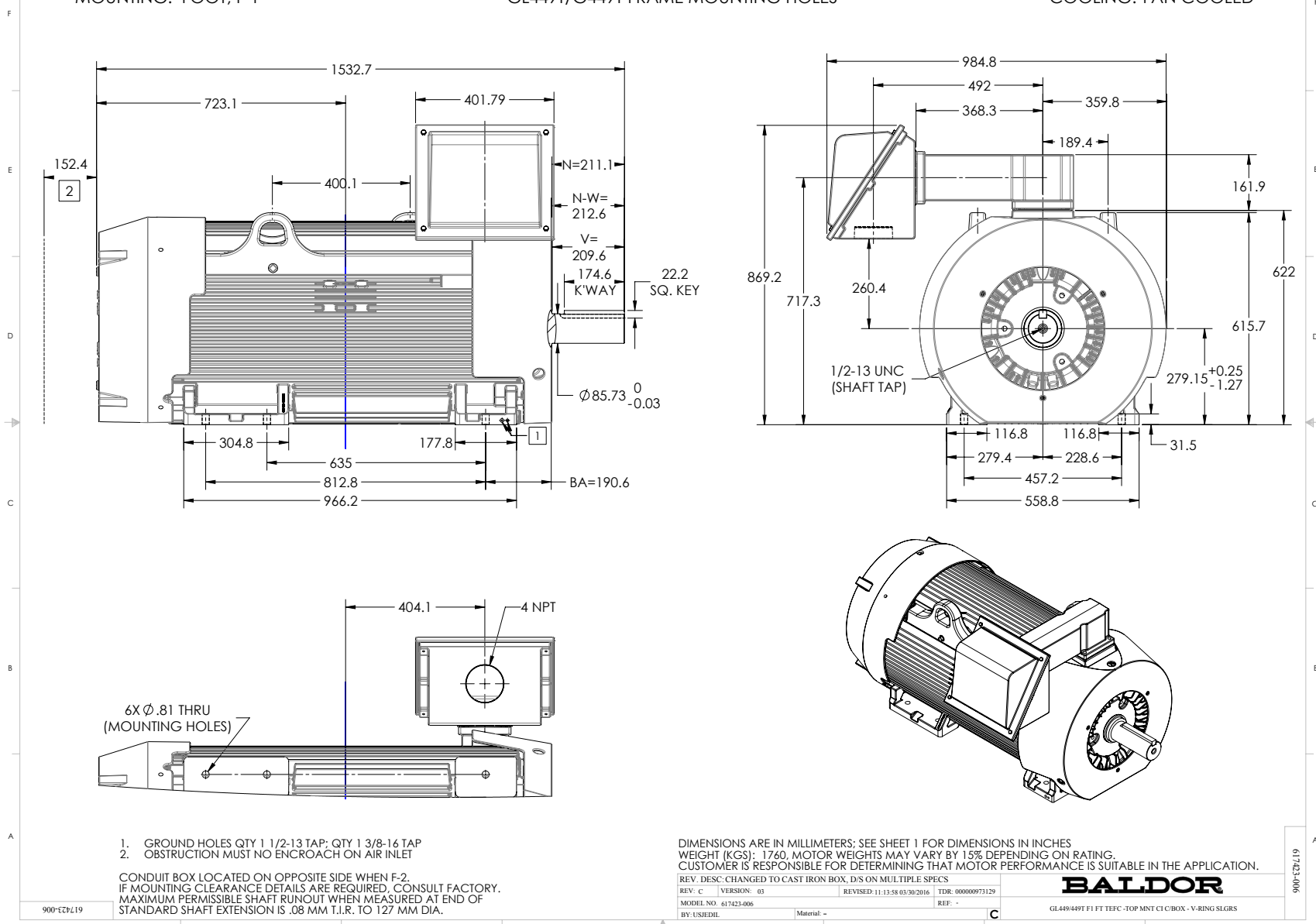
DUTY MASTER ALTERNATING CURRENT MOTORS
SQUIRREL-CAGE INDUCTION

617423-006

ENCLOSURE: TOTALLY ENCLOSED
MOUNTING: FOOT, F-1

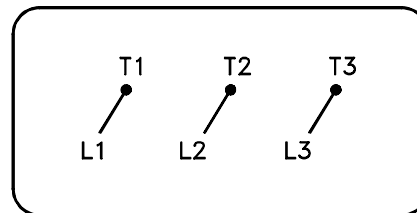
GL449T/G449T FRAME MOUNTING HOLES

COOLING: FAN COOLED



416820-036

A-C MOTOR
 CONNECTION DIAGRAM
 STANDARD 3 LEAD CONNECTED



(N.P. 1575-BA)

416820-036

| | | |
|--------------------------------------|------------------------------|-------------------|
| REV. DESC: LOADED TO BUS, C/R 335225 | | |
| REV. LTR: - | VERSION: 00 | TDR: 000000538207 |
| FILE: \MGA\00000\682 | REVISED: 11:54:06 04/30/2010 | |
| MTL: - | BY: RAGRA | |

BALDOR

CONN DIAG - STANDARD 3 LEAD

SH 1 of 1

Marketing maintained PDF of MN408:

<http://www.baldor.com/support/Literature/Load.ashx/MN408?ManNumber=MN408>

Marketing maintained PDF of MN416:

<http://www.baldor.com/support/Literature/Load.ashx/MN416?ManNumber=MN416>