

BALDOR® • RELIANCE

Product Information Packet

EL11319

1.5HP,1725RPM,1PH,60HZ,56H,3540LC,ODP,F1

Part Detail							
Revision:	D	Status:	PRD/A	Change #:		Proprietary:	No
Type:	AC	Prod. Type:	3540LC	Elec. Spec:	35WGN258	CD Diagram:	CD0055
Enclosure:	ODP	Mfg Plant:		Mech. Spec:	35E007	Layout:	35LYE007
Frame:	56H	Mounting:	F1	Poles:	04	Created Date:	03-26-2014
Base:	RG	Rotation:	R	Insulation:	F	Eff. Date:	08-04-2015
Leads:	4#16 A,2#18 B PH					Replaced By:	
Literature:		Elec. Diagram:					

Nameplate NP3155L										
CAT.NO.	EL11319									
SPEC.	35E007N258G1									
HP	1.5									
VOLTS	115/230									
AMP	12.4/6.2									
RPM	1725									
FRAME	56H				HZ	60			PH	1
SER.F.	1.15		CODE	J	DES	L		CL	F	
F.L. AVG. EFF.	83.8		PF	93						
RATING	40C AMB-CONT									
CC									USABLE AT 208V	
DE	6205				ODE	6203				
ENCL	ODP		SN							

Parts List		
Part Number	Description	Quantity
SA278591	SA 35E007N258G1	1.000 EA
RA265122	RA 35E007N258G1	1.000 EA
OC3050F09SP	CYL OIL CAP 50MFD/370V	1.000 EA
EC1540A06SP	ELEC CAP, 540-648 MFD, 125V, 2.06D X 4.	1.000 EA
WD3006A01	RSS-2-103JT 2W 10K RES. METAL OXIDE 5%	1.000 EA
NS2512A01	INSULATOR, CONDUIT BOX X	1.000 EA
35CB3007	35 CB CASTING W/.88 DIA. LEAD HOLE	1.000 EA
51XB1016A07	10-16 X 7/16 HXWSSLD SERTYB	2.000 EA
11XW1032G06	10-32 X .38, TAPTITE II, HEX WSHR SLTD U	1.000 EA
35EP3201A03	STD FR EP OPEN-203BRG-35L OR M FRAME--LE	1.000 EA
51XW0832A07	8-32 X .44, TAPTITE II, HEX WSHR SLTD SE	2.000 EA
NS2501A02	INSULATOR, CAPACITOR BOX	1.000 EA
35CB3801	CAPACITOR COVER, CAST	1.000 EA
HA7010	CAPACITOR RETENTION CLAMP	1.000 EA
51XB1016A08	10-16X 1/2HXWSSLD SERTYB	2.000 EA
HW5100A03SP	WAVY WASHER (W1543-017)	1.000 EA
35EP3200A02	PUEP OPEN 205 BRG	1.000 EA
XY1032A02	10-32 HEX NUT DIRECTIONAL SERRATION	4.000 EA
35CB4521	35 LIPPED CB LID (GALV & PHOSPH)	1.000 EA
51XW0832A07	8-32 X .44, TAPTITE II, HEX WSHR SLTD SE	4.000 EA
HW2501D13	KEY, 3/16 SQ X 1.375	1.000 EA
HA7000A04	KEY RETAINER 0.625 DIA SHAFTS	1.000 EA
85XU0407S04	4X1/4 U DRIVE PIN STAINLESS	2.000 EA
WD1000A15	3-520132-2 AMP FLAG (4M/RL NON-CANC/NON-	4.000 EA

Parts List (continued)		
Part Number	Description	Quantity
MJ1000A02	GREASE, POLYREX EM EXXON (USe 4824-15A)	0.050 LB
MG1000Y03	MUNSELL 2.53Y 6.70/ 4.60, GLOSS 20,	0.017 GA
HA3100A26	THRUBOLT 10-32 X 11.500	4.000 EA
SP5181A01	MODEL 35 LC TORQ STAT SWITCH LEAD ASSY	1.000 EA
LC0001A01	CONN LABEL / WARNING LABEL (LC0001 / LB1	1.000 EA
NP3155L	ALUM SUPER-E UL CSA CC "SEMS"	1.000 EA
35PA1066	PKG GRP, PRINT PK1008A06	1.000 EA
MN416A01	TAG-INSTAL-MAINT no wire (1000/bx) 11/14	1.000 EA

AC Induction Motor Performance Data

Record # 45175 - Typical performance - not guaranteed values

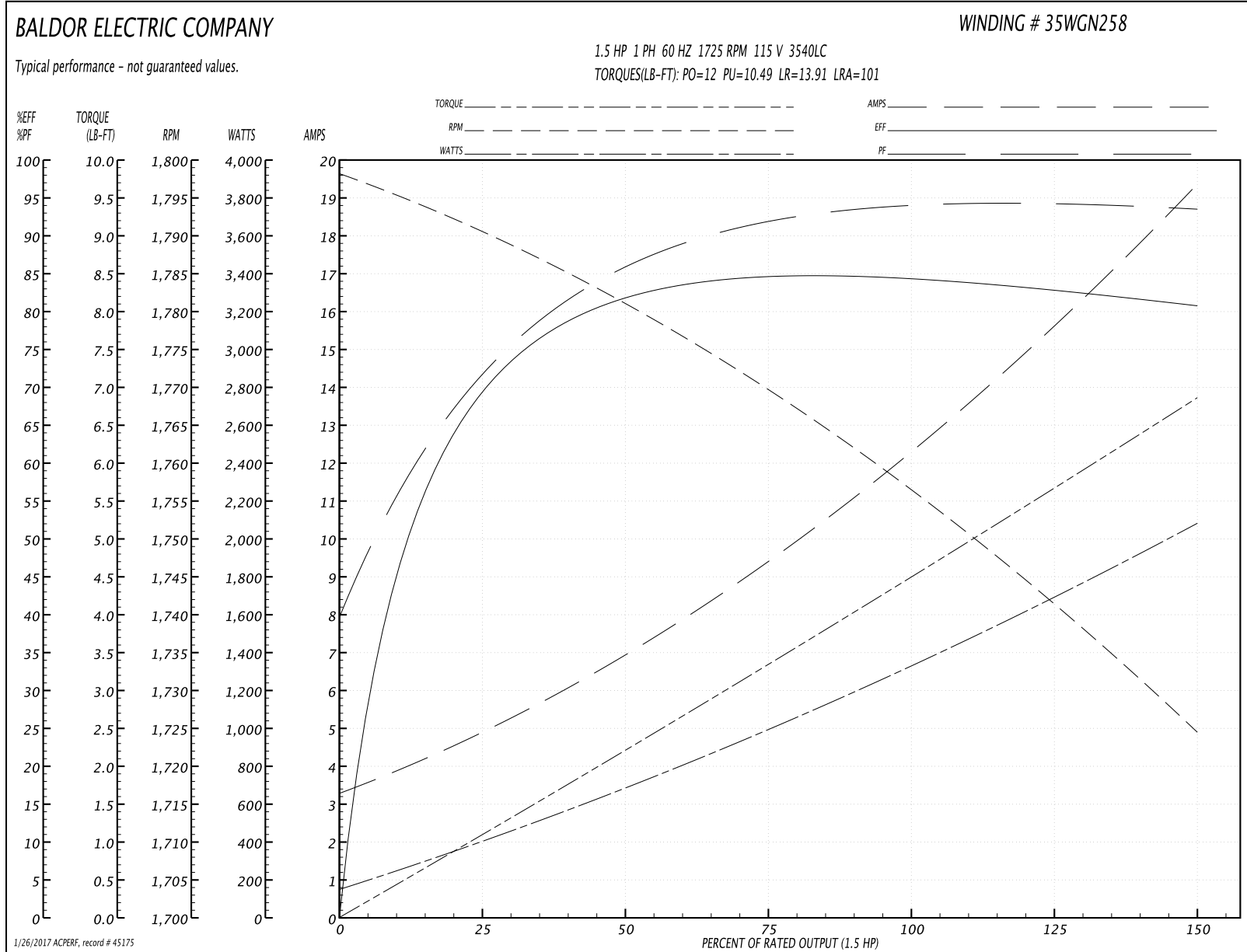
Winding: 35WGN258-R001	Type: 3540LC	Enclosure: ODP
-------------------------------	---------------------	-----------------------

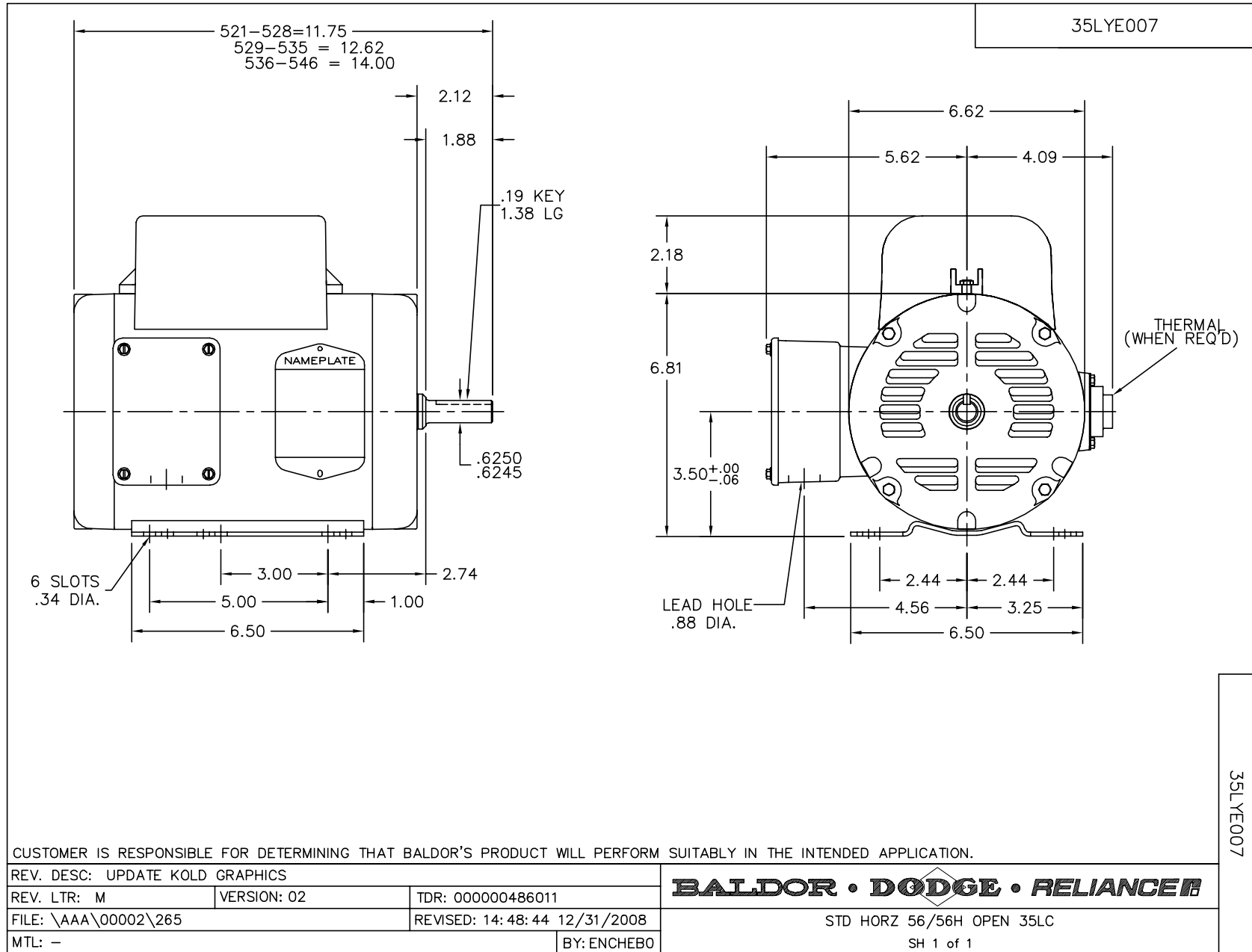
Nameplate Data				115 V, 60 Hz: Low Voltage Connection	
Rated Output (HP)	1.5			Full Load Torque	4.48 LB-FT
Volts	115/230			Start Configuration	direct on line
Full Load Amps	12.4/6.2			Breakdown Torque	12 LB-FT
R.P.M.	1725			Pull-up Torque	10.49 LB-FT
Hz	60	Phase	1	Locked-rotor Torque	13.91 LB-FT
NEMA Design Code	L	KVA Code	J	Starting Current	101 A
Service Factor (S.F.)	1.15			No-load Current	3.43 A
NEMA Nom. Eff.	83.8	Power Factor	93	Line-line Res. @ 25°C	0.3859 Ω A Ph 1.2945 Ω B Ph
Rating - Duty	40C AMB-CONT			Temp. Rise @ Rated Load	48°C
S.F. Amps				Temp. Rise @ S.F. Load	59°C

Load Characteristics 115 V, 60 Hz, 1.5 HP

% of Rated Load	25	50	75	100	125	150	S.F.
Power Factor	75	86	91	93	94	94	94
Efficiency	70.4	81.2	84.2	84.7	83.2	80.6	83.8
Speed	1789.9	1780.1	1769.5	1758.1	1742.1	1723.8	1748
Line amperes	4.66	6.92	9.48	12.3	15.6	19.3	14.3

Performance Graph at 115V, 60Hz, 1.5HP Typical performance - Not guaranteed values





CD0055



REV. DESC: REVISE TO SHOW OPTIONAL COLORS			
REV. LTR: D	BY: JLP	REVISED: 04/08/99 1:17	TDR: 0178636
99000		FILE: AAA00007414	MDL: -
		MTL: -	

BALDOR ELECTRIC Co.

TYPE LC, DV, REV, 6 LEADS

CD0055