

BALDOR® • **RELIANCE**

Product Information Packet

EM3709T-5

7.5HP,3520RPM,3PH,60HZ,213T,3728M,TEFC,F

| Part Detail | | | | | | | |
|-------------|------|----------------|-------|-------------|----------|---------------|------------|
| Revision: | G | Status: | PRD/A | Change #: | | Proprietary: | No |
| Type: | AC | Prod. Type: | 3728M | Elec. Spec: | 37WGR289 | CD Diagram: | CD0006 |
| Enclosure: | TEFC | Mfg Plant: | | Mech. Spec: | 37H244 | Layout: | 37LYH244 |
| Frame: | 213T | Mounting: | F1 | Poles: | 02 | Created Date: | 05-10-2012 |
| Base: | RG | Rotation: | R | Insulation: | F | Eff. Date: | 11-02-2015 |
| Leads: | 3#14 | | | | | Replaced By: | |
| Literature: | | Elec. Diagram: | | | | | |

| | | | | | | | | | | |
|--|--------------|--|-------------|----|-----------------------|------|--|-----------|-----------|---|
| Nameplate NP3441L | | | | | | | | | | |
| CAT.NO. | EM3709T-5 | | | | | | | | | |
| SPEC. | 37H244R289G1 | | | | | | | | | |
| HP | 7.5 | | | | | | | | | |
| VOLTS | 575 | | | | | | | | | |
| AMP | 7 | | | | | | | | | |
| RPM | 3520 | | | | | | | | | |
| FRAME | 213T | | | | HZ | 60 | | | PH | 3 |
| SER.F. | 1.15 | | CODE | H | DES | B | | CL | F | |
| NEMA-NOM-EFF | 89.5 | | PF | 86 | | | | | | |
| RATING | 40C AMB-CONT | | | | | | | | | |
| CC | 010A | | | | USABLE AT 208V | | | | | |
| DE | 6307 | | | | ODE | 6206 | | | | |
| ENCL | TEFC | | SN | | | | | | | |
| VPWM INVERTER READY CT6-60H(10:1)VT3-60H(20:1) | | | | | | | | | | |
| | | | | | | | | | | |

| Parts List | | |
|-------------|--|----------|
| Part Number | Description | Quantity |
| SA244920 | SA 37H244R289G1 | 1.000 EA |
| RA231807 | RA 37H244R289G1 | 1.000 EA |
| 36FN3000B02 | EXFN, PLASTIC, 6.00 OD, 1.175 ID | 1.000 EA |
| HW3200A01 | 3/8-16X3/4 I-BLT WELDED F/S | 1.000 EA |
| 37CB3006 | 37 CB CASTING W/1.38 LEAD HOLE @ 6:00 | 1.000 EA |
| 37GS1000 | GASKET, CONDUIT BOX STD., .06 THICK LEXI | 1.000 EA |
| 51XW2520A12 | .25-20 X .75, TAPTITE II, HEX WSHR SLTD | 2.000 EA |
| 11XW1032G06 | 10-32 X .38, TAPTITE II, HEX WSHR SLTD U | 1.000 EA |
| 37EP3101A01 | FR ENDPLATE, FOR ROUTING PURPOSES | 1.000 EA |
| HW4500A01 | 1641B(ALEMITE)400 UNIV, GREASE FITT | 1.000 EA |
| HW5100A06 | W2420-025 WVY WSHR (WB) | 1.000 EA |
| 37PE3100A01 | PUEP ASSEMBLY - ROUTING PUPROSES | 1.000 EA |
| HW4500A01 | 1641B(ALEMITE)400 UNIV, GREASE FITT | 1.000 EA |
| XY3118A12 | 5/16-18 HEX NUT DIRECTIONAL SERRATION | 4.000 EA |
| 07FH4007SP | PRIMED | 1.000 EA |
| 51XW1032A06 | 10-32 X .38, TAPTITE II, HEX WSHR SLTD S | 3.000 EA |
| 37CB4516 | LIPPED LID FOR 37 FRAME NEC KOBX | 1.000 EA |
| 37GS1008 | 37 GS FOR CB LID - LEXIDE | 1.000 EA |
| 51XW0832A07 | 8-32 X .44, TAPTITE II, HEX WSHR SLTD SE | 4.000 EA |
| HW2501F21 | KEY, 5/16 SQ X 2.375 | 1.000 EA |
| HA7000A02 | KEY RETAINER RING, 1 1/8 DIA, 1 3/8 DIA | 1.000 EA |
| 85XU0407S04 | 4X1/4 U DRIVE PIN STAINLESS | 2.000 EA |
| LB1115N | LABEL,LIFTING DEVICE (ON ROLLS) | 1.000 EA |
| MJ1000A02 | GREASE, POLYREX EM EXXON (USe 4824-15A) | 0.050 LB |

| Parts List (continued) | | |
|-------------------------------|--|-----------------|
| Part Number | Description | Quantity |
| 51XB1214A20 | 12-14X1.25 HXWSSLD SERTYB | 1.000 EA |
| MG1000Y03 | MUNSELL 2.53Y 6.70/ 4.60, GLOSS 20, | 0.028 GA |
| HA3104A14 | THRUBOLT- 5/16-18 X12.125(OHIO) | 4.000 EA |
| LB1119N | WARNING LABEL | 1.000 EA |
| LC0006 | CONNECTION LABEL | 1.000 EA |
| NP3441L | ALUM SUPER-E VPWM INVERTER READY UL | 1.000 EA |
| 36PA1001 | PKG GRP, PRINT PK1017A06 | 1.000 EA |
| MN416A01 | TAG-INSTAL-MAINT no wire (1000/bx) 11/14 | 1.000 EA |

AC Induction Motor Performance Data

Record # 38326 - Typical performance - not guaranteed values

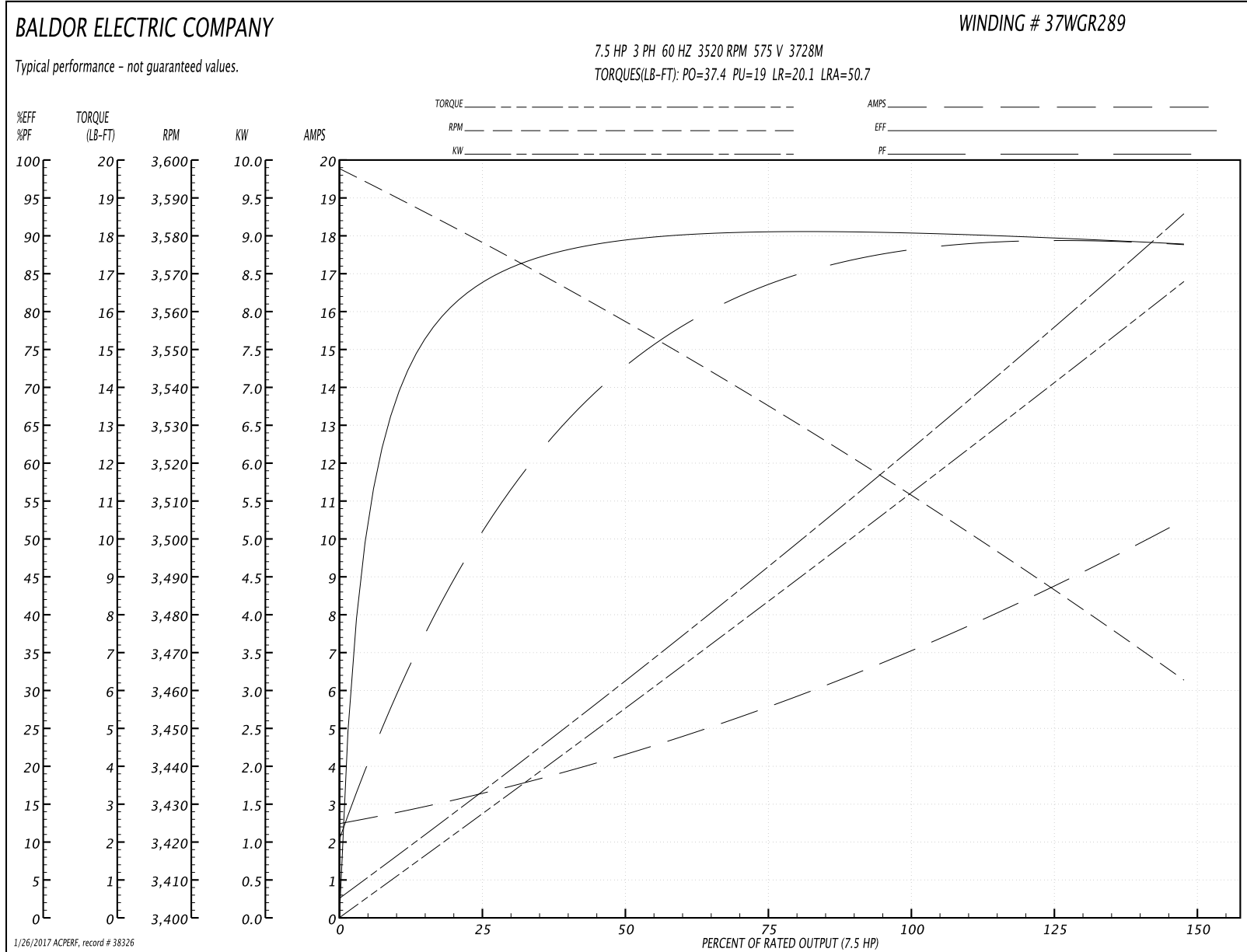
| | | |
|-------------------------------|--------------------|------------------------|
| Winding: 37WGR289-R001 | Type: 3728M | Enclosure: TEFC |
|-------------------------------|--------------------|------------------------|

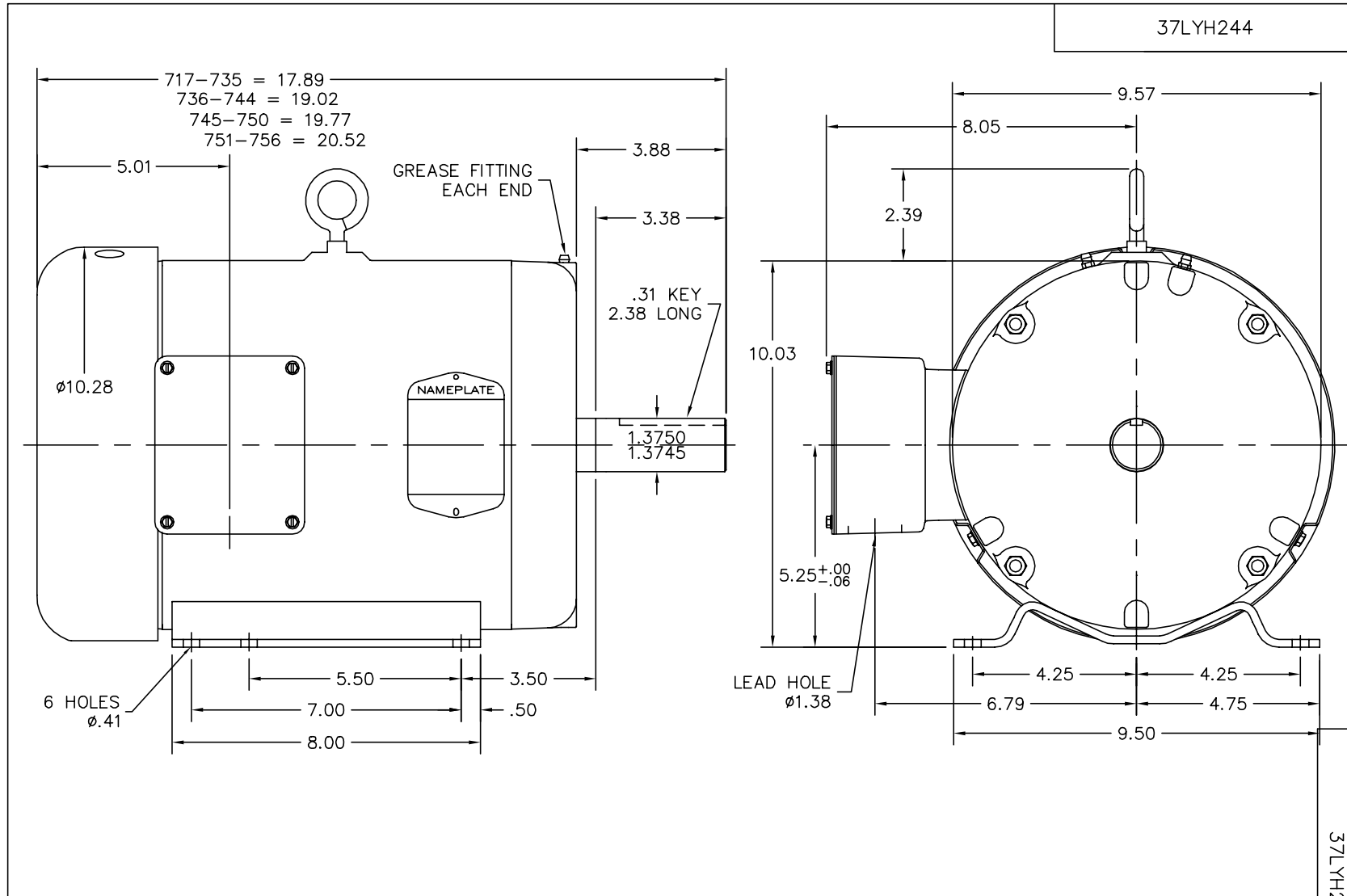
| Nameplate Data | | | | 575 V, 60 Hz: Single Voltage Motor | |
|-----------------------|--------------|--------------|----|---------------------------------------|--------------------------|
| Rated Output (HP) | 7.5 | | | Full Load Torque | 10.9 LB-FT |
| Volts | 575 | | | Start Configuration | direct on line |
| Full Load Amps | 7 | | | Breakdown Torque | 37.4 LB-FT |
| R.P.M. | 3520 | | | Pull-up Torque | 19 LB-FT |
| Hz | 60 | Phase | 3 | Locked-rotor Torque | 20.1 LB-FT |
| NEMA Design Code | B | KVA Code | H | Starting Current | 50.7 A |
| Service Factor (S.F.) | 1.15 | | | No-load Current | 2.61 A |
| NEMA Nom. Eff. | 89.5 | Power Factor | 87 | Line-line Res. @ 25°C | 1.9 Ω |
| Rating - Duty | 40C AMB-CONT | | | Temp. Rise @ Rated Load | 46°C |
| S.F. Amps | | | | Temp. Rise @ S.F. Load | 56°C |
| | | | | Locked-rotor Power Factor | 33 |
| | | | | Rotor inertia | 0.255 LB-FT ² |

Load Characteristics 575 V, 60 Hz, 7.5 HP

| % of Rated Load | 25 | 50 | 75 | 100 | 125 | 150 | S.F. |
|-----------------|------|------|------|------|------|------|------|
| Power Factor | 49 | 73 | 82 | 86 | 88 | 90 | 87 |
| Efficiency | 82 | 89 | 90.1 | 90.2 | 89.6 | 88.2 | 90.1 |
| Speed | 3579 | 3560 | 3538 | 3515 | 3490 | 3462 | 3500 |
| Line amperes | 3.06 | 4.03 | 5.42 | 6.98 | 8.66 | 10.4 | 7.99 |

Performance Graph at 575V, 60Hz, 7.5HP Typical performance - Not guaranteed values





CUSTOMER IS RESPONSIBLE FOR DETERMINING THAT BALDOR'S PRODUCT WILL PERFORM SUITABLY IN THE INTENDED APPLICATION.

| | | |
|---------------------------------------|------------------------------|-------------------|
| REV. DESC: ADDED SUPER E BACK TO DESC | | |
| REV. LTR: E | VERSION: 02 | TDR: 000000461125 |
| FILE: \AAA\00068\241 | REVISED: 10:19:08 04/09/2008 | |
| MTL: - | BY: ENROSP0 | |

BALDOR • DODGE • RELIANCE

HORZ 213-5T TEFC 37M, EPACT SHOVE, SUPER E

SH 1 of 1

CD0006



NOTES:

1. THREE LEAD MOTOR MAY BE EITHER WYE CONNECTED OR DELTA CONNECTED.
2. INTERCHANGE ANY TWO LINE LEADS TO REVERSE ROTATION.
3. OPTIONAL THERMOSTATS ARE PROVIDED WHEN SPECIFIED.
4. ACTUAL NUMBER OF INTERNAL PARALLEL CIRCUITS MAY VARY.
5. LEAD COLORS ARE OPTIONAL. LEADS MUST BE NUMBERED AS SHOWN.

| | | | |
|---|---------|------------------------|--------------|
| REV. DESC: REVISE TO SHOW OPTIONAL COLORS | | | |
| REV. LTR: D | BY: JLP | REVISED: 01/21/99 4:02 | TDR: 0171435 |
| 9000D | | FILE: AAA00005141 | MDL: - |
| | | MTL: - | |

BALDOR ELECTRIC Co.

3PH, SV, 3 LEADS, WYE OR DELTA CONNECTED

CD0006