

BALDOR® • RELIANCE

Product Information Packet

EM7014T-I

1//.75HP,1760//1460RPM,3PH,60//50HZ,143T

Part Detail							
Revision:	R	Status:	PRD/A	Change #:		Proprietary:	No
Type:	AC	Prod. Type:	3520M	Elec. Spec:	35WGM492	CD Diagram:	CD0005
Enclosure:	XPFC	Mfg Plant:		Mech. Spec:	35X081	Layout:	35LYX081
Frame:	143T	Mounting:	F1	Poles:	04	Created Date:	08-02-2010
Base:	RG	Rotation:	R	Insulation:	F	Eff. Date:	11-11-2016
Leads:	9#18					Replaced By:	
Literature:		Elec. Diagram:					

Nameplate NP0977XPSLEV											
NO.						CC	010A				
SER.							TEMP CODE	T3C			
SPEC.	35X081M492G1										
CAT.NO.	EM7014T-I										
HP	1//.75										
VOLTS	230/460//190/380										
AMPS	3/1.5//2.8/1.4										
RPM	1760//1460					MOTOR WEIGHT	55				
HERTZ	60//50		PH	3		CL	F	DE BRG	6205		
SER.F.	1.15		DES	B		CODE	L	ODE BRG	6203		
FRAME	143T		GREASE		POLYREX EM						
RATING	40C AMB-CONT 55C AMB AT 1.0 SF										
USABLE AT 208V	3.1			NEMA-NOM-EFF			85.5		PF		71
	NEMA MG-1 PT 5,IP55										

Parts List		
Part Number	Description	Quantity
SA200797	SA 35X081M492G1	1.000 EA
RA188109	RA 35X081M492G1	1.000 EA
34FN3002B01	EXTERNAL FAN, PLASTIC, .637/.639 HUB W/	1.000 EA
35CB1005A01	CONDUIT BOX,MACH - GROUP "C" MTRS	1.000 EA
11XW1032G06	10-32 X .38, TAPTITE II, HEX WSHR SLTD U	1.000 EA
HW3001B01	BRASS CUP WASHER, FOR #8 SCREW	1.000 EA
35EP1715A08	FREP XPFC 203 BRG GROUP "C" W/DRAIN	1.000 EA
HW4506A02	BREATHER/DRAIN-EXP PROOF-.125-27 NPTF AI	1.000 EA
HW3022E05	.125 DIA X .500 ROLLED SPRING PIN	1.000 EA
HW5100A03SP	WAVY WASHER (W1543-017)	1.000 EA
35EP3701B05	PUEP X-PROOF - 205 BRG GROUP C&E	1.000 EA
HA2009A86	SLINGER FOR GROUP E MTRS - 205 BRG.	1.000 EA
80XN0632J06	SET SCREW, 6-32 X 3/8", HEX SOCKET, AS	1.000 EA
HW4506A02	BREATHER/DRAIN-EXP PROOF-.125-27 NPTF AI	1.000 EA
HW3022E05	.125 DIA X .500 ROLLED SPRING PIN	1.000 EA
35FH4005A01SP	IEC FH NO GREASER W/PRIMED	1.000 EA
XY3118A12	5/16-18 HEX NUT DIRECTIONAL SERRATION	4.000 EA
51XW1032A06	10-32 X .38, TAPTITE II, HEX WSHR SLTD S	3.000 EA
35CB1501A01	CONDUIT BOX LID, MACH. - GROUP "C" MTRS	1.000 EA
RM1020A41	O-RING, -150 BUNA-N, .103 CS X 2.862 ID	1.000 EA
LB1359F	ALUM XP CAUTION LABEL	1.000 EA
HW2501D13	KEY, 3/16 SQ X 1.375	1.000 EA
HA7000A01	KEY RETAINER 7/8" DIA SHAFT	1.000 EA
85XU0407S04	4X1/4 U DRIVE PIN STAINLESS	6.000 EA

Parts List (continued)		
Part Number	Description	Quantity
MJ1000A02	GREASE, POLYREX EM EXXON (USe 4824-15A)	0.050 LB
51XB1214A16	12-14X1.00 HXWSSLD SERTYB	1.000 EA
MG1025G29	WILKOFASST, 789.229, DARK CHARCOAL GRAY	0.017 GA
HA3104A06	THRUBOLT 5/16-18 X 8.50 OHIO ROD	4.000 EA
LB1119N	WARNING LABEL	1.000 EA
LC0145B01	CONNECTION LABEL	1.000 EA
NP0977XPSLEV	SS XP UL CSA-EEV CC CL-I GP-C&D	1.000 EA
36PA1000	PKG GRP, PRINT PK1016A06	1.000 EA
MN416A01	TAG-INSTAL-MAINT no wire (1000/bx) 11/14	1.000 EA

AC Induction Motor Performance Data

Record # 35372 - Typical performance - not guaranteed values

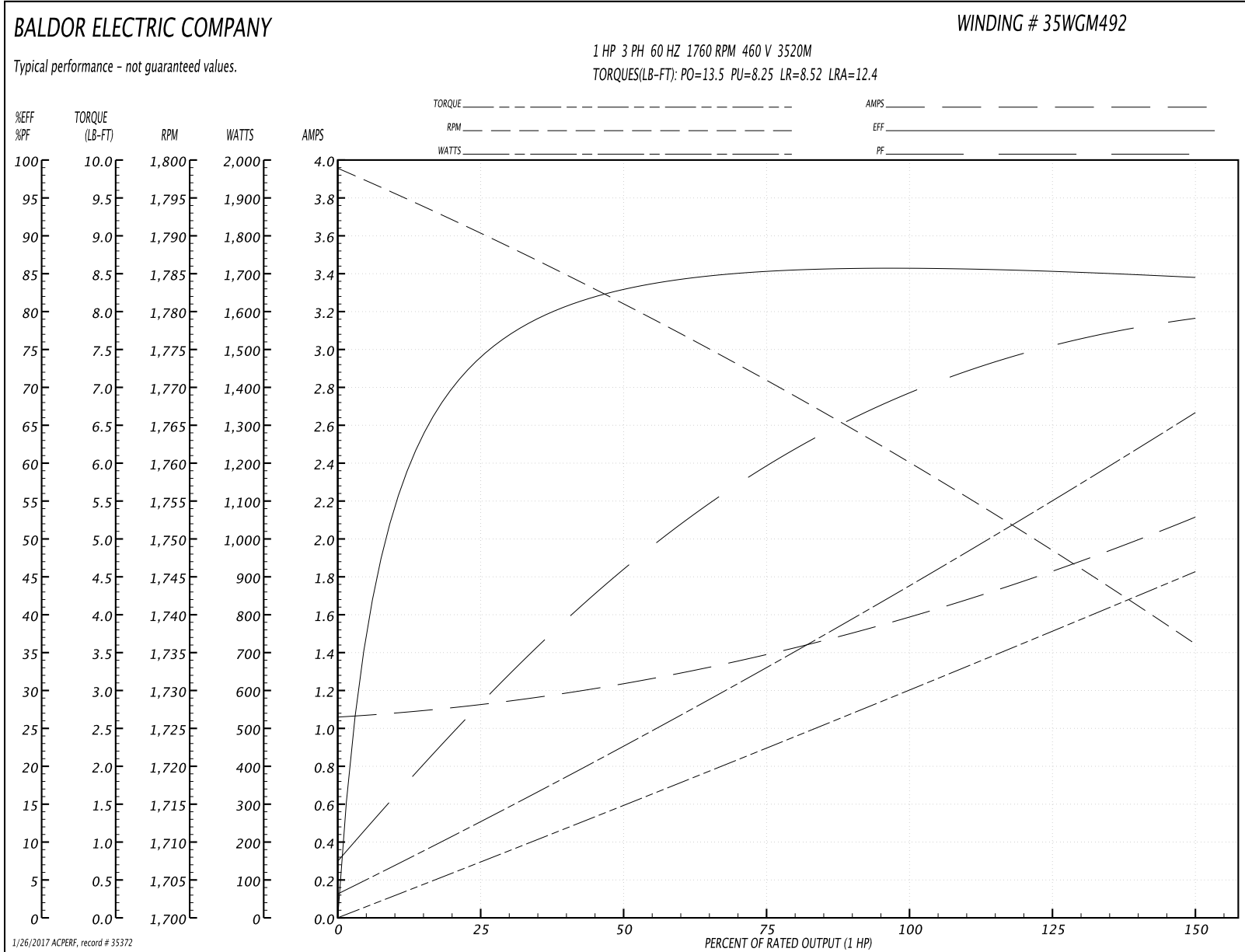
Winding: 35WGM492-R006	Type: 3520M	Enclosure: XPFC
-------------------------------	--------------------	------------------------

Nameplate Data				460 V, 60 Hz: High Voltage Connection	
Rated Output (HP)	1//.75			Full Load Torque	2.99 LB-FT
Volts	230/460//190/380			Start Configuration	direct on line
Full Load Amps	3/1.5//2.8/1.4			Breakdown Torque	13.5 LB-FT
R.P.M.	1760//1460			Pull-up Torque	8.25 LB-FT
Hz	60//50	Phase	3	Locked-rotor Torque	8.52 LB-FT
NEMA Design Code	B	KVA Code	L	Starting Current	12.4 A
Service Factor (S.F.)	1.15			No-load Current	1.07 A
NEMA Nom. Eff.	85.5	Power Factor	71	Line-line Res. @ 25°C	15 Ω
Rating - Duty	40C AMB-CONT			Temp. Rise @ Rated Load	36°C
S.F. Amps				Temp. Rise @ S.F. Load	42°C
				Locked-rotor Power Factor	53.8
				Rotor inertia	0.118 LB-FT ²

Load Characteristics 460 V, 60 Hz, 1 HP

% of Rated Load	25	50	75	100	125	150	S.F.
Power Factor	29	46	60	69	75	79	74
Efficiency	74.2	82.9	85.4	85.8	85.4	84.5	85.6
Speed	1790	1781	1771	1760	1749	1736	1754
Line amperes	1.11	1.24	1.39	1.59	1.83	2.11	1.69

Performance Graph at 460V, 60Hz, 1.0HP Typical performance - Not guaranteed values



AC Induction Motor Performance Data

Record # 35374 - Typical performance - not guaranteed values

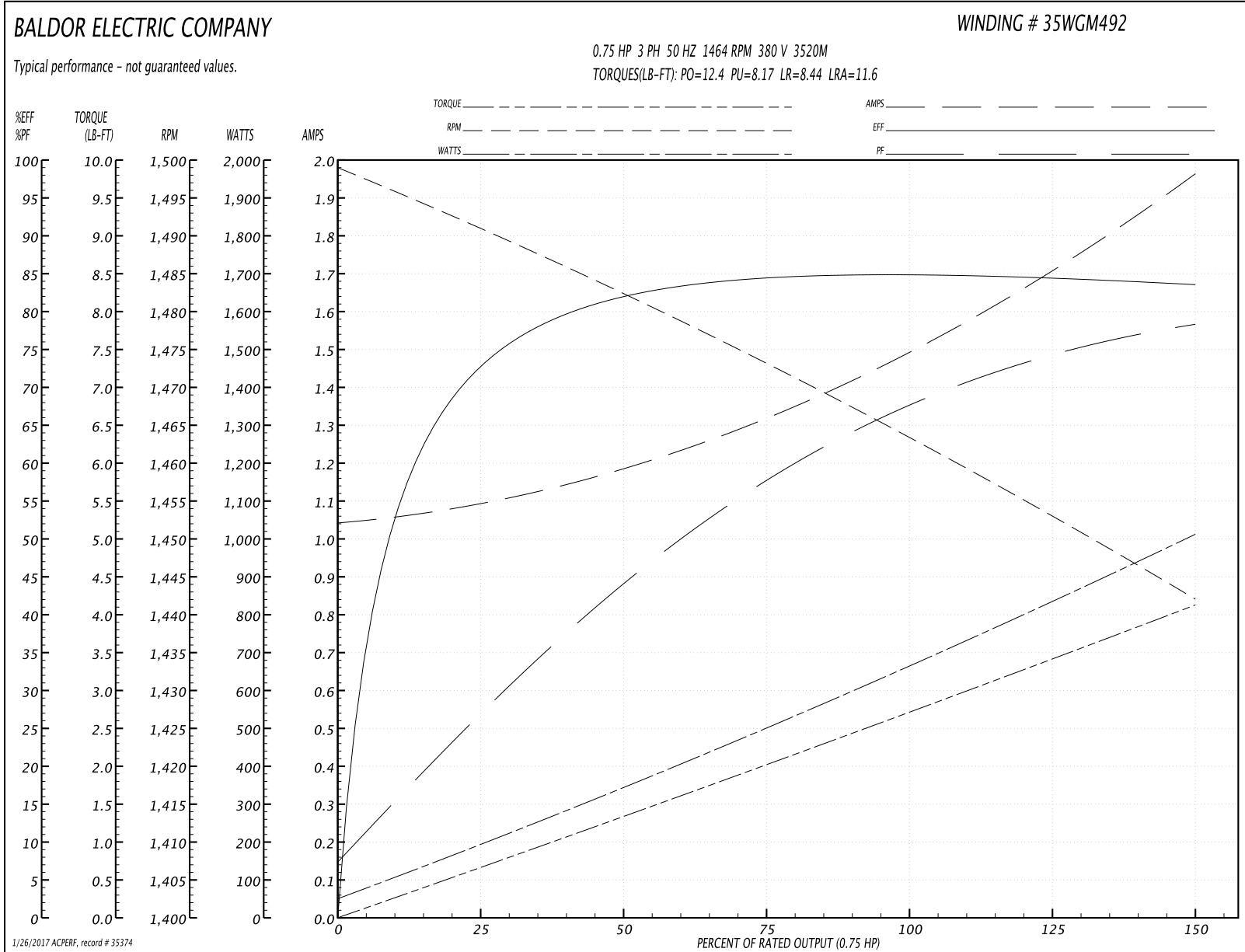
Winding: 35WGM492-R006	Type: 3520M	Enclosure: XPFC
-------------------------------	--------------------	------------------------

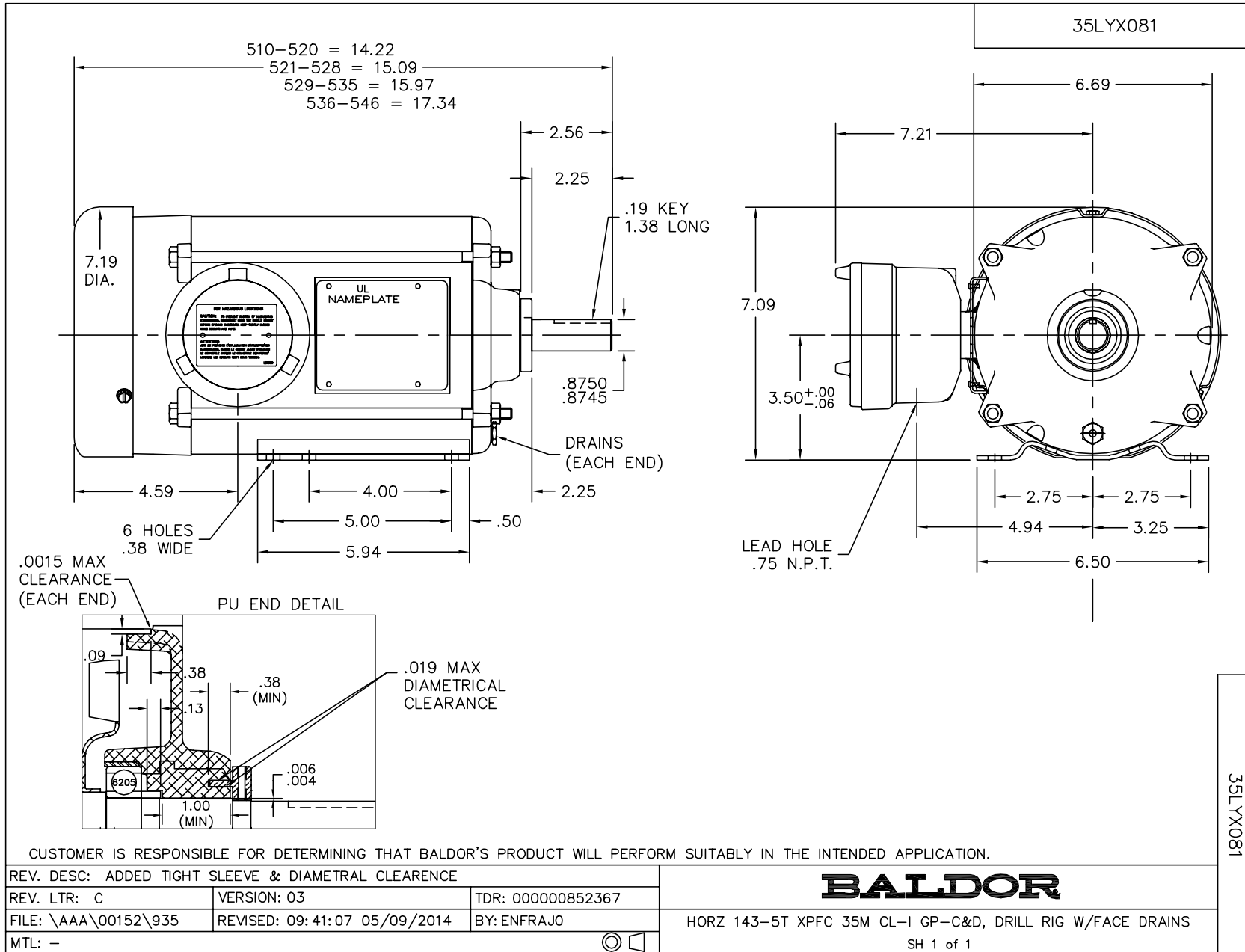
Nameplate Data				380 V, 50 Hz: High Voltage Connection	
Rated Output (HP)	1//.75			Full Load Torque	2.7 LB-FT
Volts	230/460//190/380			Start Configuration	direct on line
Full Load Amps	3/1.5//2.8/1.4			Breakdown Torque	12.4 LB-FT
R.P.M.	1760//1460			Pull-up Torque	8.17 LB-FT
Hz	60//50	Phase	3	Locked-rotor Torque	8.44 LB-FT
NEMA Design Code	B	KVA Code	L	Starting Current	11.6 A
Service Factor (S.F.)	1.15			No-load Current	1.05 A
NEMA Nom. Eff.	85.5	Power Factor	71	Line-line Res. @ 25°C	15 Ω
Rating - Duty	40C AMB-CONT			Temp. Rise @ Rated Load	32°C
S.F. Amps				Temp. Rise @ S.F. Load	38°C
				Locked-rotor Power Factor	59.5
				Rotor inertia	0.118 LB-FT ²

Load Characteristics 380 V, 50 Hz, 0.75 HP

% of Rated Load	25	50	75	100	125	150	S.F.
Power Factor	28	44	58	67	74	79	73
Efficiency	73.1	81.9	84.4	85	84.5	83.5	84.6
Speed	1491	1482	1473	1464	1453	1442	1457
Line amperes	1.08	1.19	1.32	1.49	1.71	1.96	1.58

Performance Graph at 380V, 50Hz, 0.75HP Typical performance - Not guaranteed values

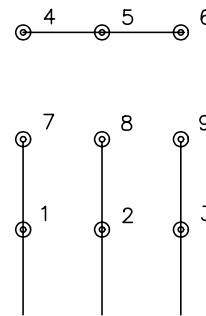




CD0005

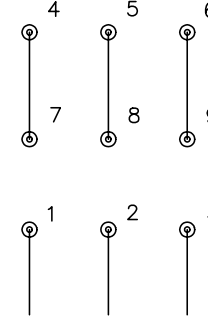


LOW VOLTAGE
(2Y)



LINE

HIGH VOLTAGE
(1Y)



LINE

NOTES:

1. INTERCHANGE ANY TWO LINE LEADS TO REVERSE ROTATION.
2. OPTIONAL THERMOSTATS ARE PROVIDED WHEN SPECIFIED.
3. ACTUAL NUMBER OF INTERNAL PARALLEL CIRCUITS MAY BE A MULTIPLE OF THOSE SHOWN ABOVE.
4. LEAD COLORS ARE OPTIONAL. LEADS MUST ALWAYS BE NUMBERED AS SHOWN.

REV. DESC: REVISE TO SHOW OPTIONAL COLORS			
REV. LTR: E	BY: JLP	REVISED: 01/19/99 10:15	TDR: 0171435
900000		FILE: AAA00005140	MDL: -
		MTL: -	

BALDOR ELECTRIC Co.

3PH, DV, 9 LEADS

CD0005