

# **BALDOR® • RELIANCE**

## **Product Information Packet**

### **EM7072T-I**

**3//5HP,2900//3470RPM,3PH,50//60HZ,184T,3**

Part Detail							
Revision:	U	Status:	PRD/A	Change #:		Proprietary:	No
Type:	AC	Prod. Type:	3634M	Elec. Spec:	36WGT860	CD Diagram:	CD0005
Enclosure:	XPFC	Mfg Plant:		Mech. Spec:	36J694	Layout:	36LYJ694
Frame:	184T	Mounting:	F1	Poles:	02	Created Date:	09-08-2010
Base:	RG	Rotation:	R	Insulation:	F	Eff. Date:	12-29-2016
Leads:	9#16					Replaced By:	
Literature:		Elec. Diagram:					

Nameplate NP0977XPSLEV										
NO.						CC	010A			
SER.							TEMP CODE	T3C		
SPEC.	36J694T860G1									
CAT.NO.	EM7072T-I									
HP	5//3									
VOLTS	230/460//190/380									
AMPS	11.2/5.6//8.4/4.2									
RPM	3470//2900					MOTOR WEIGHT	110			
HERTZ	60//50		PH	3	CL	F	DE BRG	6206		
SER.F.	1.15		DES	A	CODE	L	ODE BRG	6205		
FRAME	184T		GREASE	POLYREX EM						
RATING	40C AMB-CONT 55C AMB AT 1.0 SF									
USABLE AT 208V						NEMA-NOM-EFF	90.2		PF	94
	NEMA MG-1 PT 5,IP55									

Parts List		
Part Number	Description	Quantity
SA202659	SA 36J694T860G1	1.000 EA
RA189936	RA 36J694T860G1	1.000 EA
34FN3002B02	EXTERNAL FAN, PLASTIC, .905/.907 HUB W/	1.000 EA
35CB1005A01	CONDUIT BOX,MACH - GROUP "C" MTRS	1.000 EA
06EP1709A05	FRONT XPFC 205 BRG GRP C W/ DRAIN (HW450	1.000 EA
HW4500A19	1/4-28X1/4 SLOTTED PLUG F/S	2.000 EA
HW4506A02	BREATHER/DRAIN-EXP PROOF-.125-27 NPTF AI	1.000 EA
HW3022E05	.125 DIA X .500 ROLLED SPRING PIN	1.000 EA
HW5100A05	WVY WSHR F/205 & 304 BRGS	1.000 EA
36EP1718A03	36 PU EP XPFC 206 BRG W/METAL SLINGER	1.000 EA
HW4500A19	1/4-28X1/4 SLOTTED PLUG F/S	2.000 EA
HW4506A02	BREATHER/DRAIN-EXP PROOF-.125-27 NPTF AI	1.000 EA
HW3022E05	.125 DIA X .500 ROLLED SPRING PIN	1.000 EA
XY3816A12	3/8-16 FINISHED NUT	4.000 EA
36FH3003A05	FAN COVER XP W/(2) GRSR HOLES, DRAIN	1.000 EA
51XF1032A10	SCREW, HX WS HD SER, ZN	4.000 EA
35CB1501A01	CONDUIT BOX LID, MACH. - GROUP "C" MTRS	1.000 EA
RM1020A41	O-RING, -150 BUNA-N, .103 CS X 2.862 ID	1.000 EA
HA2065A01	SLINGER, ALUM (AUTO)	1.000 EA
80XN1032A07	SET SCREW, HEX XOCK, ZN	1.000 EA
HW2501E16	3KEY, 1/4 SQ X 1.750	1.000 EA
HA7000A02	KEY RETAINER RING, 1 1/8 DIA, 1 3/8 DIA	1.000 EA
85XU0407S04	4X1/4 U DRIVE PIN STAINLESS	6.000 EA
LB1359F	ALUM XP CAUTION LABEL	1.000 EA

<b>Parts List (continued)</b>		
<b>Part Number</b>	<b>Description</b>	<b>Quantity</b>
MJ1000A02	GREASE, POLYREX EM EXXON (USe 4824-15A)	0.050 LB
51XB1214A16	12-14X1.00 HXWSSLD SERTYB	1.000 EA
MG1025G29	WILKOFASST, 789.229, DARK CHARCOAL GRAY	0.022 GA
HA3105A09	THRUBOLT 3/8-16 X 12.000	4.000 EA
LB1119N	WARNING LABEL	1.000 EA
LC0145B01	CONNECTION LABEL	1.000 EA
NP0977XPSLEV	SS XP UL CSA-EEV CC CL-I GP-C&D	1.000 EA
G0PA1000	PKG GRP, PRINT PK1026A06	1.000 EA
MN416A01	TAG-INSTAL-MAINT no wire (1000/bx) 11/14	1.000 EA

**AC Induction Motor Performance Data**

Record # 33704 - Typical performance - not guaranteed values

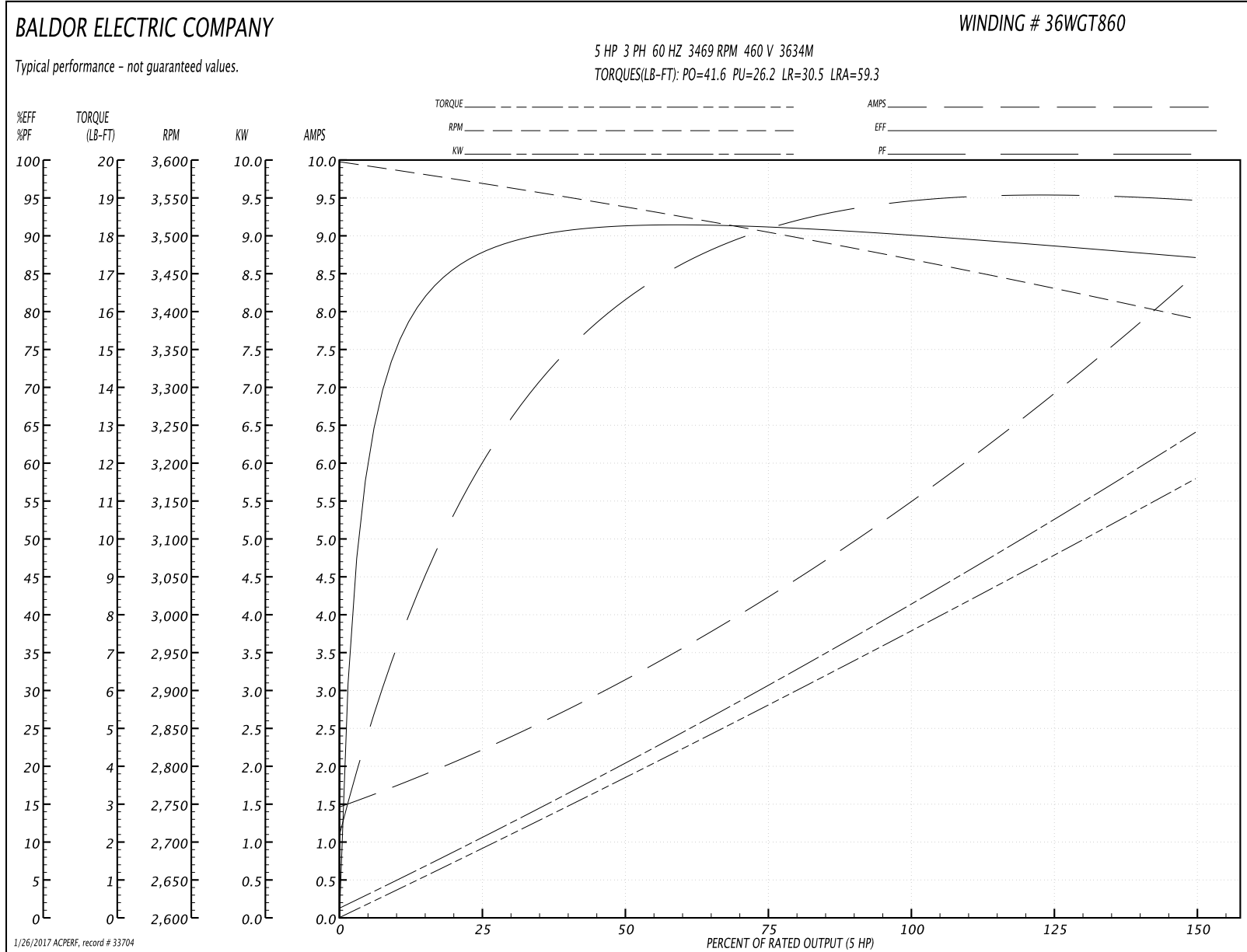
<b>Winding:</b> 36WGT860-R019	<b>Type:</b> 3634M	<b>Enclosure:</b> XPFC
-------------------------------	--------------------	------------------------

Nameplate Data				460 V, 60 Hz: High Voltage Connection	
Rated Output (HP)	3//5			Full Load Torque	7.66 LB-FT
Volts	190/380//230/460			Start Configuration	direct on line
Full Load Amps	8.4/4.2//11.2/5.6			Breakdown Torque	41.6 LB-FT
R.P.M.	2900//3470			Pull-up Torque	26.2 LB-FT
Hz	50//60	Phase	3	Locked-rotor Torque	30.5 LB-FT
NEMA Design Code	A	KVA Code	L	Starting Current	59.3 A
Service Factor (S.F.)	1.15			No-load Current	1.55 A
NEMA Nom. Eff.	90.2	Power Factor	94	Line-line Res. @ 25°C	2.17 Ω
Rating - Duty	40C AMB-CONT			Temp. Rise @ Rated Load	59°C
S.F. Amps				Temp. Rise @ S.F. Load	72°C
				Locked-rotor Power Factor	43
				Rotor inertia	0.152 LB-FT <sup>2</sup>

Load Characteristics 460 V, 60 Hz, 5 HP

% of Rated Load	25	50	75	100	125	150	S.F.
Power Factor	65	83	90	94	95	95	95
Efficiency	87.5	90.7	90.8	90.5	88.9	86.9	89.5
Speed	3567	3536	3503	3469	3431	3389	3446
Line amperes	2.1	3.14	4.37	5.56	6.98	8.46	6.41

Performance Graph at 460V, 60Hz, 5.0HP Typical performance - Not guaranteed values



**AC Induction Motor Performance Data**

Record # 33705 - Typical performance - not guaranteed values

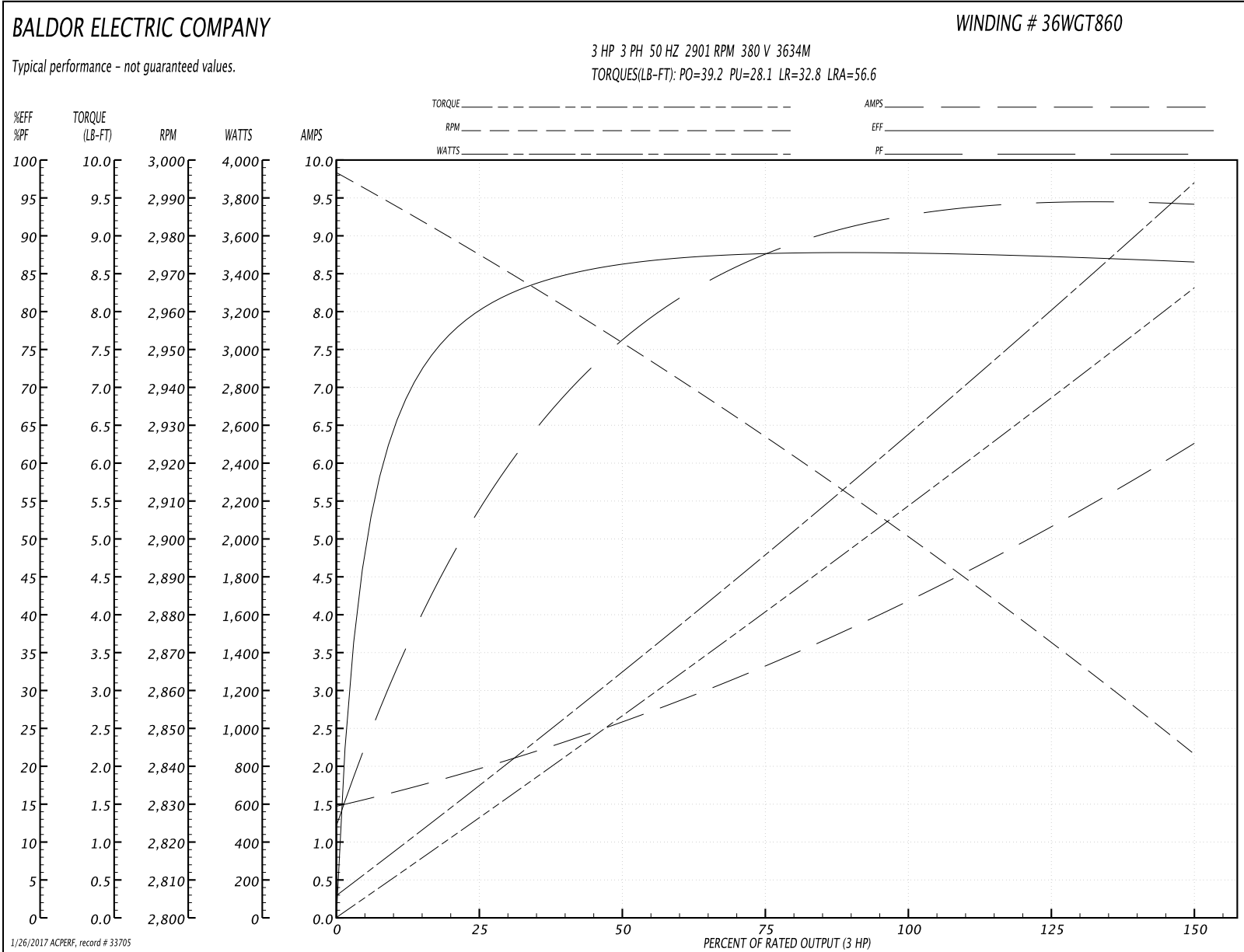
<b>Winding:</b> 36WGT860-R019	<b>Type:</b> 3634M	<b>Enclosure:</b> XPFC
-------------------------------	--------------------	------------------------

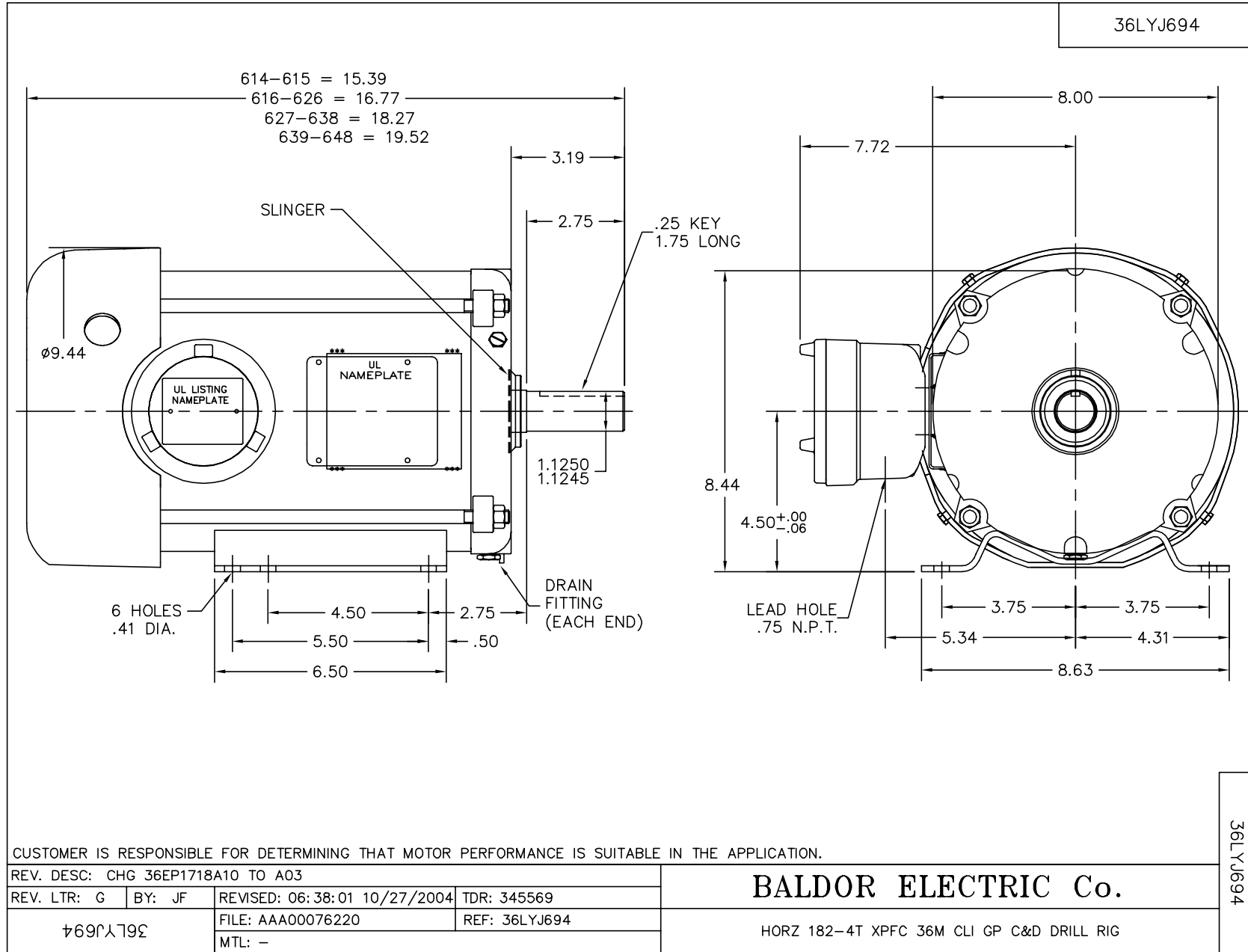
Nameplate Data				380 V, 50 Hz: High Voltage Connection	
Rated Output (HP)	3//5			Full Load Torque	5.49 LB-FT
Volts	190/380//230/460			Start Configuration	direct on line
Full Load Amps	8.4/4.2//11.2/5.6			Breakdown Torque	39.2 LB-FT
R.P.M.	2900//3470			Pull-up Torque	28.1 LB-FT
Hz	50//60	Phase	3	Locked-rotor Torque	32.8 LB-FT
NEMA Design Code	A	KVA Code	L	Starting Current	56.6 A
Service Factor (S.F.)	1.15			No-load Current	1.54 A
NEMA Nom. Eff.	90.2	Power Factor	94	Line-line Res. @ 25°C	2.17 Ω
Rating - Duty	40C AMB-CONT			Temp. Rise @ Rated Load	40°C
S.F. Amps				Temp. Rise @ S.F. Load	47°C
				Locked-rotor Power Factor	49
				Rotor inertia	0.152 LB-FT <sup>2</sup>

Load Characteristics 380 V, 50 Hz, 3 HP

% of Rated Load	25	50	75	100	125	150	S.F.
Power Factor	59	78	86	92	94	95	93
Efficiency	78.9	85.8	87.5	88.2	87.5	86.3	87.8
Speed	2973	2950	2926	2901	2873	2842	2884
Line amperes	1.88	2.57	3.42	4.23	5.21	6.23	4.82

Performance Graph at 380V, 50Hz, 3.0HP Typical performance - Not guaranteed values

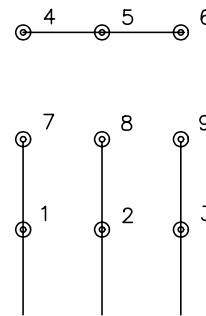




CD0005

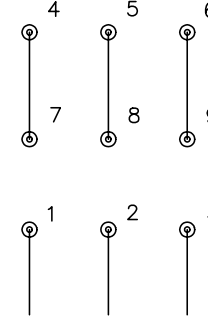


LOW VOLTAGE  
(2Y)



LINE

HIGH VOLTAGE  
(1Y)



LINE

NOTES:

1. INTERCHANGE ANY TWO LINE LEADS TO REVERSE ROTATION.
2. OPTIONAL THERMOSTATS ARE PROVIDED WHEN SPECIFIED.
3. ACTUAL NUMBER OF INTERNAL PARALLEL CIRCUITS MAY BE A MULTIPLE OF THOSE SHOWN ABOVE.
4. LEAD COLORS ARE OPTIONAL. LEADS MUST ALWAYS BE NUMBERED AS SHOWN.

REV. DESC: REVISE TO SHOW OPTIONAL COLORS			
REV. LTR: E	BY: JLP	REVISED: 01/19/99 10:15	TDR: 0171435
900003		FILE: AAA00005140	MDL: -
		MTL: -	

**BALDOR ELECTRIC Co.**

3PH, DV, 9 LEADS

CD0005