

BALDOR® • RELIANCE

Product Information Packet

EM7145T

7.5//5HP,3510//2925RPM,3PH,60//50HZ,213T

Part Detail							
Revision:	J	Status:	PRD/A	Change #:		Proprietary:	No
Type:	AC	Prod. Type:	0726M	Elec. Spec:	07WGY328	CD Diagram:	CD0005
Enclosure:	XPFC	Mfg Plant:		Mech. Spec:	07H271	Layout:	07LYH271
Frame:	213T	Mounting:	F1	Poles:	02	Created Date:	09-27-2012
Base:	RG	Rotation:	R	Insulation:	B	Eff. Date:	12-28-2015
Leads:	9#14					Replaced By:	
Literature:		Elec. Diagram:					

Nameplate NP1426XPSLEV	
NO.	[] CC 010A []
SER.	[]
SPEC.	07H271Y328G1
CAT.NO.	EM7145T
HP	7.5//5 T. CODE T3C []
VOLTS	230/460//190/380
AMPS	18/9//15.2/7.6
RPM	3510//2925
HZ	60//50 PH 3 [] CL B []
SER.F.	1.00 DES B [] CODE H []
RATING	40C AMB-CONT
FRAME	213T NEMA-NOM-EFF 89.5 []
USABLE AT 208V	PF 86 []
BLANK	[]

Parts List		
Part Number	Description	Quantity
SA251934	SA 07H271Y328G1	1.000 EA
RA238764	RA 07H271Y328G1	1.000 EA
36FN3000C02	EXFN, PLASTIC, 5.25 OD, 1.175 ID	1.000 EA
HA3210E08	.250X 7/8 PIN 312-57	1.000 EA
HW3201A05	3/8-16 EYEBOLT	1.000 EA
07CB1000A01	CONDUIT BOX MACH	1.000 EA
10XN3118A16	5/16-18X1 HEX HD CAP	4.000 EA
HW1001A31	LOCKWASHER 5/16, ZINC PLT .591 OD, .319 I	4.000 EA
11XW1032G06	10-32 X .38, TAPTITE II, HEX WSHR SLTD U	1.000 EA
WD1000B17	T&B CX35TN TERMINAL	1.000 EA
07EP1707A01	STD FRONT ENDPLATE EXPLOSION PROOF	1.000 EA
HW4500A19	1/4-28X1/4 SLOTTED PLUG F/S	2.000 EA
10XN3816K28	3/8-16 X 1.75 HEX HD CAP SCREW, GRADE 5	4.000 EA
HW1001A38	LOCKWASHER 3/8, ZINC PLT .688 OD, .382 I	4.000 EA
HW5100A06	W2420-025 WVY WSHR (WB)	1.000 EA
07EP1709A01	STANDARD PULLEY ENDPLATE EXPLOSION PROOF	1.000 EA
HW4500A19	1/4-28X1/4 SLOTTED PLUG F/S	2.000 EA
10XN3816K28	3/8-16 X 1.75 HEX HD CAP SCREW, GRADE 5	4.000 EA
HW1001A38	LOCKWASHER 3/8, ZINC PLT .688 OD, .382 I	4.000 EA
51XB1214A20	12-14X1.25 HXWSSLD SERTYB	1.000 EA
07FH1003A01	STANDARD 307 EXPLOSION PROOF FAN HOUSING	1.000 EA
10XN2520A12	O1/4-20X 3/4 HEX HEAD CAP	4.000 EA
07CB1500A01	CONDUIT BOX LID MACH	1.000 EA
10XN2520A16	1/4-20 X 1 HEX HEAD CAP SCR, ZINC PLATED	4.000 EA

Parts List (continued)		
Part Number	Description	Quantity
HW1001A25	LOCKWASHER 1/4, ZINC PLT .493 OD, .255 I	4.000 EA
HW2501F21	KEY, 5/16 SQ X 2.375	1.000 EA
HA7000A02	KEY RETAINER RING, 1 1/8 DIA, 1 3/8 DIA	1.000 EA
85XU0407S04	4X1/4 U DRIVE PIN STAINLESS	6.000 EA
LB1081F	ALUM XP CAUTION LABEL (FS PLANT ONLY-	1.000 EA
LB1115N	LABEL,LIFTING DEVICE (ON ROLLS)	1.000 EA
MJ1000A02	GREASE, POLYREX EM EXXON (USe 4824-15A)	0.050 LB
MG1025G29	WILKOFAS, 789.229, DARK CHARCOAL GRAY	0.036 GA
LB1119N	WARNING LABEL	1.000 EA
LC0145B01	CONNECTION LABEL	1.000 EA
NP1426XPSLEV	SS XP UL CSA-EEV CC CL-I GP-D	1.000 EA
07PA1011	PKG GRP, 07 CAST IRON PK1181	1.000 EA
10XL3808A28	3/8 X 1 3/4" LAG SCREW	2.000 EA
MN416A01	TAG-INSTAL-MAINT no wire (1000/bx) 11/14	1.000 EA

AC Induction Motor Performance Data

Record # 39945 - Typical performance - not guaranteed values

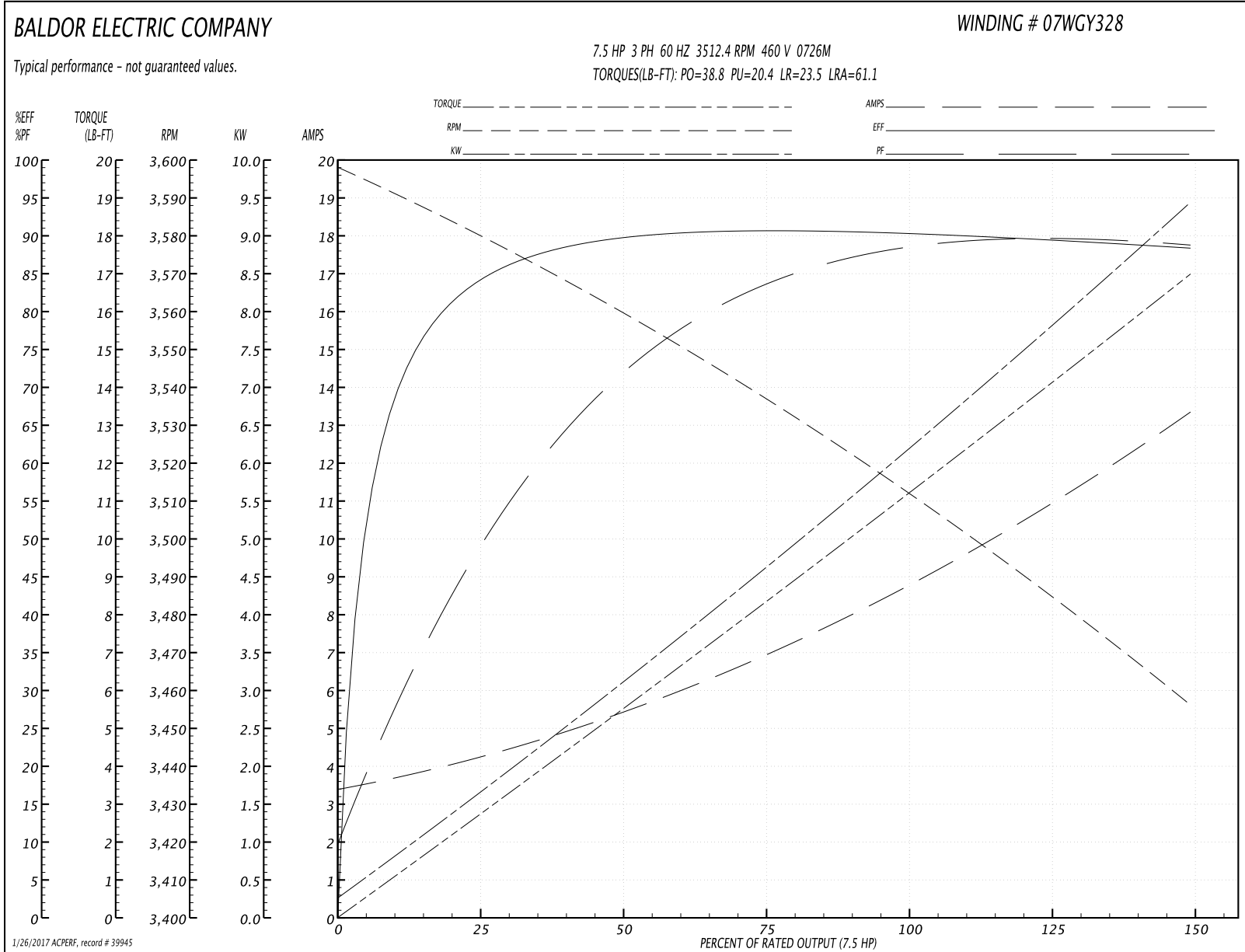
Winding: 07WGY328-R004	Type: 0726M	Enclosure: XPFC
-------------------------------	--------------------	------------------------

Nameplate Data				460 V, 60 Hz: High Voltage Connection	
Rated Output (HP)	7.5//5			Full Load Torque	11.2 LB-FT
Volts	230/460//190/380			Start Configuration	direct on line
Full Load Amps	18/9//15.2/7.6			Breakdown Torque	38.8 LB-FT
R.P.M.	3510//2925			Pull-up Torque	20.4 LB-FT
Hz	60//50	Phase	3	Locked-rotor Torque	23.5 LB-FT
NEMA Design Code	B	KVA Code	H	Starting Current	61.1 A
Service Factor (S.F.)	1			No-load Current	3.54 A
NEMA Nom. Eff.	89.5	Power Factor	86	Line-line Res. @ 25°C	1.2506 Ω
Rating - Duty	40C AMB-CONT			Temp. Rise @ Rated Load	44°C
				Locked-rotor Power Factor	34
				Rotor inertia	0.237 LB-FT ²

Load Characteristics 460 V, 60 Hz, 7.5 HP

% of Rated Load	25	50	75	100	125	150
Power Factor	52	74	82	87	90	89
Efficiency	83.8	89.4	90.5	90.4	89.7	88.5
Speed	3580.9	3559.3	3536.6	3512.4	3485.6	3455.8
Line amperes	4.04	5.31	7.04	8.9	10.9	13.3

Performance Graph at 460V, 60Hz, 7.5HP Typical performance - Not guaranteed values



AC Induction Motor Performance Data

Record # 39946 - Typical performance - not guaranteed values

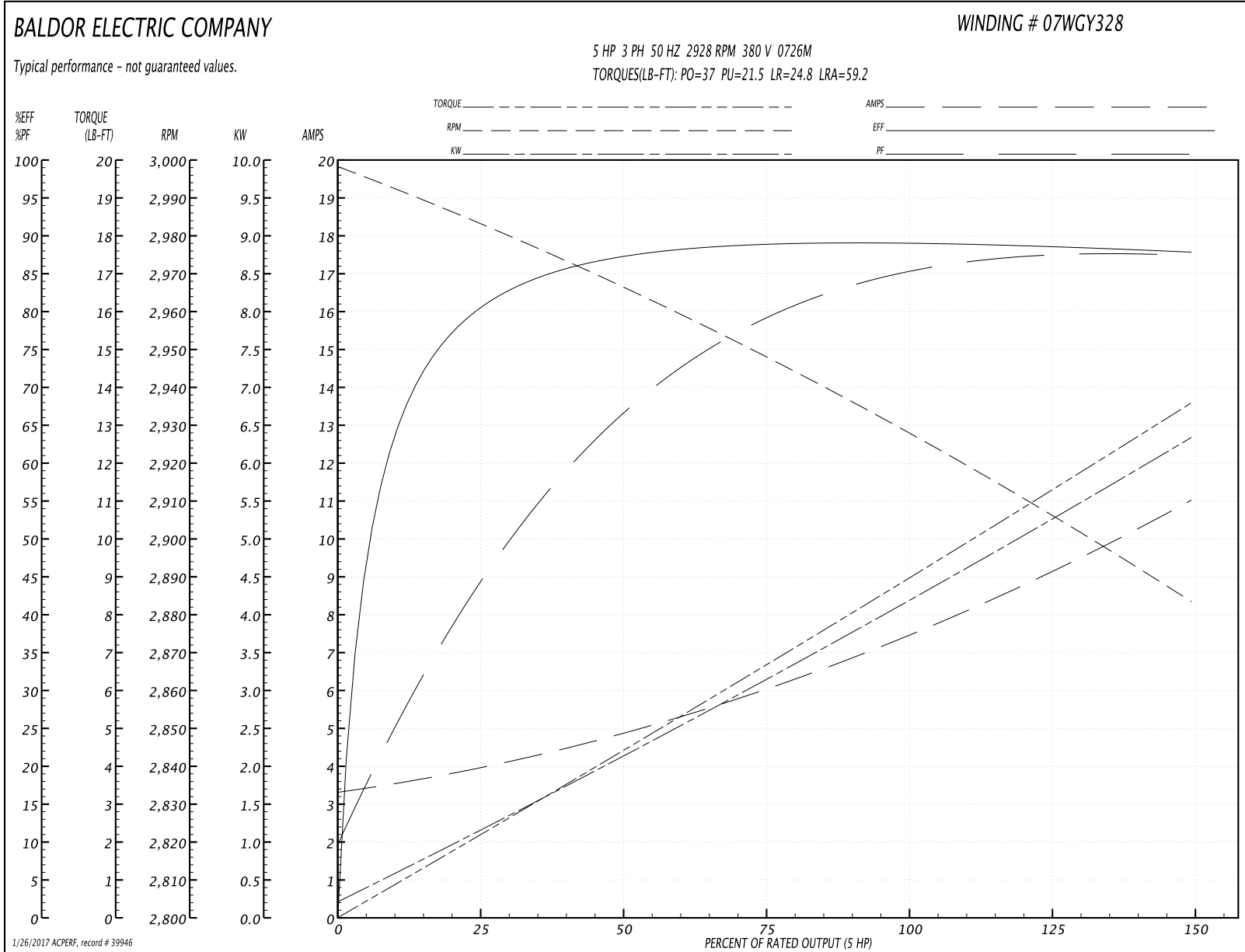
Winding: 07WGY328-R004	Type: 0726M	Enclosure: XPFC
-------------------------------	--------------------	------------------------

Nameplate Data				380 V, 50 Hz: High Voltage Connection	
Rated Output (HP)	7.5//5			Full Load Torque	8.94 LB-FT
Volts	230/460//190/380			Start Configuration	direct on line
Full Load Amps	18/9//15.2/7.6			Breakdown Torque	37 LB-FT
R.P.M.	3510//2925			Pull-up Torque	21.5 LB-FT
Hz	60//50	Phase	3	Locked-rotor Torque	24.8 LB-FT
NEMA Design Code	B	KVA Code	H	Starting Current	59.2 A
Service Factor (S.F.)	1			No-load Current	3.43 A
NEMA Nom. Eff.	89.5	Power Factor	86	Line-line Res. @ 25°C	1.19 Ω
Rating - Duty	40C AMB-CONT			Temp. Rise @ Rated Load	34°C
				Locked-rotor Power Factor	38
				Rotor inertia	0.237 LB-FT ²

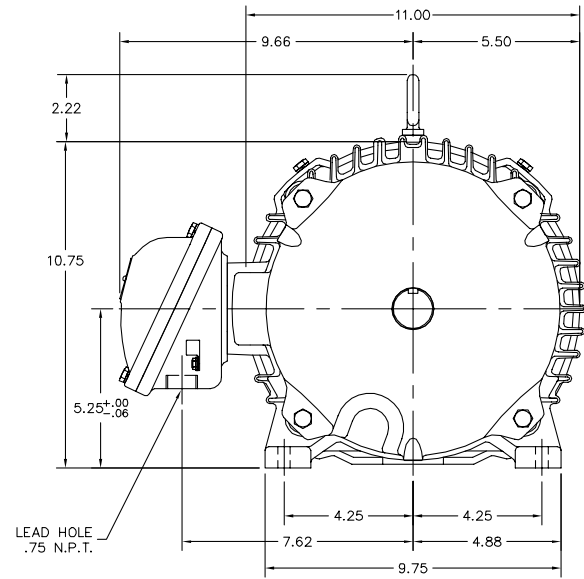
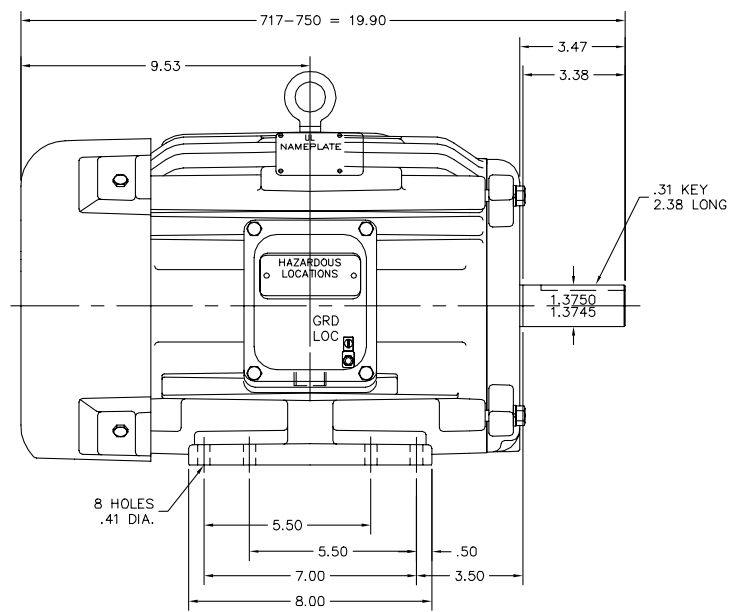
Load Characteristics 380 V, 50 Hz, 5 HP

% of Rated Load	25	50	75	100	125	150
Power Factor	47	68	78	84	88	88
Efficiency	79.9	86.9	88.7	89.4	88.8	87.7
Speed	2984	2966	2948	2928	2907	2883
Line amperes	3.8	4.78	6.12	7.55	9.1	11

Performance Graph at 380V, 50Hz, 5.0HP Typical performance - Not guaranteed values



07LYH271



CUSTOMER IS RESPONSIBLE FOR DETERMINING THAT MOTOR PERFORMANCE IS SUITABLE IN THE APPLICATION.

REV. DESC: UPDATE DESCRIPTION		
REV. LTR: B	VERSION: 01	TDR: 000000455347
FILE: \AAA\00005\928	REVISED: 11:23:02 02/04/2008	BY: ENBRAMO
MTL: -		

BALDOR • DODGE • RELIANCE

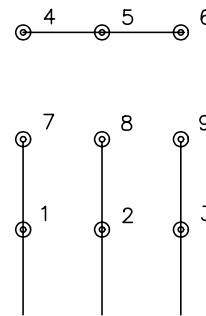
STD HORZ 213-ST XPFC X307M CL-I GP-D CL-II GP F&G

07LYH271

CD0005

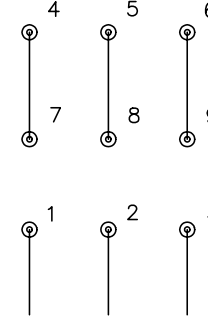


LOW VOLTAGE
(2Y)



LINE

HIGH VOLTAGE
(1Y)



LINE

NOTES:

1. INTERCHANGE ANY TWO LINE LEADS TO REVERSE ROTATION.
2. OPTIONAL THERMOSTATS ARE PROVIDED WHEN SPECIFIED.
3. ACTUAL NUMBER OF INTERNAL PARALLEL CIRCUITS MAY BE A MULTIPLE OF THOSE SHOWN ABOVE.
4. LEAD COLORS ARE OPTIONAL. LEADS MUST ALWAYS BE NUMBERED AS SHOWN.

REV. DESC: REVISE TO SHOW OPTIONAL COLORS			
REV. LTR: E	BY: JLP	REVISED: 01/19/99 10:15	TDR: 0171435
90000		FILE: AAA00005140	MDL: -
		MTL: -	

BALDOR ELECTRIC Co.

3PH, DV, 9 LEADS

CD0005