

BALDOR® • **RELIANCE**

Product Information Packet

EM7596T-I

150HP, 1785RPM, 3PH, 60HZ, X445T, A44078M, TEF

| Part Detail | | | | | | | |
|-------------|-------|----------------|---------|-------------|-----------|---------------|------------|
| Revision: | A | Status: | PRD/A | Change #: | | Proprietary: | No |
| Type: | AC | Prod. Type: | A44078M | Elec. Spec: | A44WG1778 | CD Diagram: | 416820-036 |
| Enclosure: | TEFC | Mfg Plant: | | Mech. Spec: | | Layout: | 617426-001 |
| Frame: | X445T | Mounting: | F1 | Poles: | 04 | Created Date: | 04-17-2015 |
| Base: | | Rotation: | R | Insulation: | F | Eff. Date: | 01-20-2016 |
| Leads: | 3#1/0 | | | | | Replaced By: | |
| Literature: | | Elec. Diagram: | | | | | |

Nameplate 000613006PC

| | |
|---------------------|-------|
| CLASS I GROUP | D X X |
| CLASS II GROUP | E F G |
| OPERATING TEMP CODE | T3C |

| Nameplate NP2288L | | | | | | | | | | |
|-------------------|---------------|-------|------|--------------|-----------|-------------------------|---------------------|-------|-----------------------|------|
| SPEC NO. | A44-6802-1778 | | | CAT.NO. | EM7596T-I | | | FRAME | X445T | |
| HP | 150 | VOLTS | 460 | PHASE | 3 | DESIGN | B | TYPE | P | |
| RPM | 1785 | AMPS | 165 | HZ | 60 | AMB | 40 | SF | 1.15 | |
| DRIVE END BEARING | 90BC03J30X | | DUTY | CONT | | INSUL.CLASS | F | | | |
| OPP D.E. BEARING | 90BC03J30X | | ENCL | TEFC | | CODE | G | | | |
| SER.NO. | | | | POWER FACTOR | 88 | | NEMA-NOM-EFFICIENCY | 96.2 | | |
| | | | | | | MAX CORR KVAR | 20 | | GUARANTEED EFFICIENCY | 95.4 |
| | | | | | | NEMA NOM/CSA QUOTED EFF | | | | |
| | | | | | | MOTOR WEIGHT | 1964 | | | |

Nameplate NP2496L

MOBIL POLYREX EM

| Parts List | | |
|-------------|--|----------|
| Part Number | Description | Quantity |
| SA312624 | SA A44-6802-1778 | 1.000 EA |
| RA300063 | RA A44-6802-1778 | 1.000 EA |
| 000692000VD | LABEL WARNING | 1.000 EA |
| 000692000FF | N/P | 1.000 EA |
| 000613006PC | N/P U/L (REL QTY 500) | 1.000 EA |
| LB1073 | ALUM XP CAUTION LABEL | 1.000 EA |
| NP2288L | BALDOR RELIANCE INDUST. MTR,SS,CSA-C US | 1.000 EA |
| NP2496L | MOTOR LUBE NAMEPLATE | 1.000 EA |
| HW4505A02 | BREATHER/DRAIN-EXP PROOF-.250-18 PTF AIS | 2.000 EA |
| 089448117E | G28 XP FT MT DE BRKT GRP E 0894480116WCB | 1.000 EA |
| 415072001B | CLAMP | 1.000 EA |
| 083199082RA | G28 SHORT FAN COVER W/BAFFLE ASSEMBLY | 1.000 EA |
| 034180014DA | KEY 1/4X1/4X1-3/4 L | 1.000 EA |
| 078548001R | FAN KB 234/150 (84) 400 | 1.000 EA |
| 004824015A | GREASE POLYREX EM | 1.160 LB |
| 032018008CK | HHCS 3/8-16X1L PLATED | 4.000 EA |
| 032018028DK | HHCS 1/2-13X3-1/2 PLTD. | 3.000 EA |
| 415096002A | CPLG 1/8 HEX TYPE | 1.000 EA |
| 034630002AB | CPLG 1/4" PLATED | 1.000 EA |
| 415044053AX | SLINGER,DE 6318 G440 | 1.000 EA |
| 410700004A | WSHR | 1.000 EA |
| 034017014AB | LCKW 3/8 STD. PLATED | 4.000 EA |
| 032130024HB | HSHCS 1-8X3" PLATED | 4.000 EA |
| 034530072AB | P/NIP 1/8X9"L Threaded both ends | 1.000 EA |

| Parts List (continued) | | |
|------------------------|--|-----------|
| Part Number | Description | Quantity |
| 034530072BB | PIPE NIPPLE,DE - 440-BS | 1.000 EA |
| 032620016KB | HSRSS; 1/4X1/2 | 2.000 EA |
| 034690002AB | "unbulked" PPLG 1/4" PLTD. | 1.000 EA |
| 034690002AB | "unbulked" PPLG 1/4" PLTD. | 1.000 EA |
| 089448117E | G28 XP FT MT DE BRKT GRP E 0894480116WCB | 1.000 EA |
| 032018030DK | HHCS 1/2-13X3-3/4 PLTD. | 3.000 EA |
| 415044053AX | SLINGER,DE 6318 G440 | 1.000 EA |
| 034017016AB | LCKW 1/2" PLATED | 3.000 EA |
| 032620016KB | HSRSS; 1/4X1/2 | 2.000 EA |
| 034530044BB | P/NIP 1/4X5-1/2L PLT | 1.000 EA |
| 034530044AB | P/NIP 1/8X5-1/2L GALV. | 1.000 EA |
| 415096002A | CPLG 1/8 HEX TYPE | 1.000 EA |
| 034630002AB | CPLG 1/4" PLATED | 1.000 EA |
| 702623018B | BRKT MOUNTED G28 XP T-BARRIER - 6318 BRG | 1.000 EA |
| 032018006BK | HHCS 5/16-18X3/4 PLATED | 3.000 EA |
| 034017013AB | LCKW 5/16 STD. PLATED | 3.000 EA |
| 032130024HB | HSHCS 1-8X3" PLATED | 4.000 EA |
| 18CB1004A01 | STD CONDUIT BOX 444-449T 318 EXPL PROOF | 1.000 EA |
| 18CB1504A01 | STD CONDUIT BOX LID 444-449T 318 EXPL PR | 1.000 EA |
| 418150003A | GREASE FITTING CAP | 1.000 EA |
| 034017018AB | LCKW 5/8" | 10.000 EA |
| 035000001A | ALFTG 1/8" 1610-BL | 1.000 EA |
| 032130016EB | HSHCS 5/8-11X2 PLTD. | 10.000 EA |
| 032130020EB | HSHCS 5/8-11X2-1/2PLTD. | 4.000 EA |

Product Information Packet: EM7596T-I - 150HP,1785RPM,3PH,60HZ,X445T,A44078M,TEF

| | | |
|-------------|---|----------|
| 034017018AB | LCKW 5/8" | 4.000 EA |
| 047024002J | TERMINAL LUG - MAKE FM F | 1.000 EA |
| 406099000A | PLUG - FAN COVER 320-440 | 1.000 EA |
| 032620016LA | SOCKET SET SCREW-449 | 3.000 EA |
| 032018008DK | HHCS 1/2-13X1 PLATED | 1.000 EA |
| 406055001B | GRFTG | 1.000 EA |
| 035000001A | ALFTG 1/8" 1610-BL | 1.000 EA |
| 418150003A | GREASE FITTING CAP | 1.000 EA |
| MG1025G05 | WILKOFAS, 789.227, MED. GRAY CHAR. MET. | 0.250 GA |
| 033775004EA | DRSCR #6-1/4 304 S.S. | 4.000 EA |
| 85XU0407S04 | 4X1/4 U DRIVE PIN STAINLESS | 2.000 EA |
| 034180054KA | KEY 7/8X7/8X6-3/4 L | 1.000 EA |
| 604797045 | STD. 400 FRAME SKID | 1.000 EA |
| 032510024D | CARRIAGE BOLT - 444 | 2.000 EA |
| 034001014AB | FLAT WASHER 3/8"PLATED | 2.000 EA |
| 034001016AB | WSHR .562ID 1.375OD .109 | 2.000 EA |
| 033300014AC | HEX NUT, SHIPPING - 400 | 2.000 EA |
| 604797003C | SHIPPING BAG | 1.000 EA |

| | | | | | | |
|-----------|-------------|---------------|-----------|---|-------------|-------|
| REL. S.O. | FRAME | HP | TYPE | PHASE/HERTZ | RPM | VOLTS |
| | 445TSC | 150 | P | 3/60 | 1785 | 460 |
| AMPS | DUTY | AMB °C/INSUL. | S.F. | NEMA DESIGN | CODE LETTER | ENCL. |
| 165 | CONT | 40/F | 1.15 | B | G | TEFC |
| E/S | ROTOR | TEST S.O. | TEST DATE | STATOR RES. @25 °C OHMS (BETWEEN LINES) | | |
| 598900 | 418143037ZE | --- | --- | .0289 | | |

PERFORMANCE

| LOAD | HP | AMPERES | RPM | POWER FACTOR % | EFFICIENCY % |
|---------|------|---------|------|----------------|--------------|
| NO LOAD | 0 | 42.4 | 1800 | 4.80 | 0 |
| 1/4 | 37.5 | 57.7 | 1797 | 64.8 | 94.0 |
| 2/4 | 75.1 | 88.0 | 1793 | 83.3 | 96.0 |
| 3/4 | 112 | 125 | 1790 | 87.7 | 96.4 |
| 4/4 | 150 | 165 | 1786 | 88.5 | 96.2 |
| 5/4 | 187 | 207 | 1782 | 88.3 | 95.8 |

SPEED TORQUE

| | RPM | TORQUE % FULL LOAD | TORQUE LB.-FT. | AMPERES |
|--------------|------|--------------------|----------------|---------|
| LOCKED ROTOR | 0 | 157 | 692 | 1085 |
| PULL UP | 700 | 150 | 660 | 1040 |
| BREAKDOWN | 1728 | 264 | 1165 | 625 |
| FULL LOAD | 1786 | 100 | 441 | 165 |

AMPERES SHOWN FOR 460. VOLT CONNECTION. IF OTHER VOLTAGE CONNECTIONS ARE AVAILABLE, THE AMPERES WILL VARY INVERSELY WITH THE RATED VOLTAGE

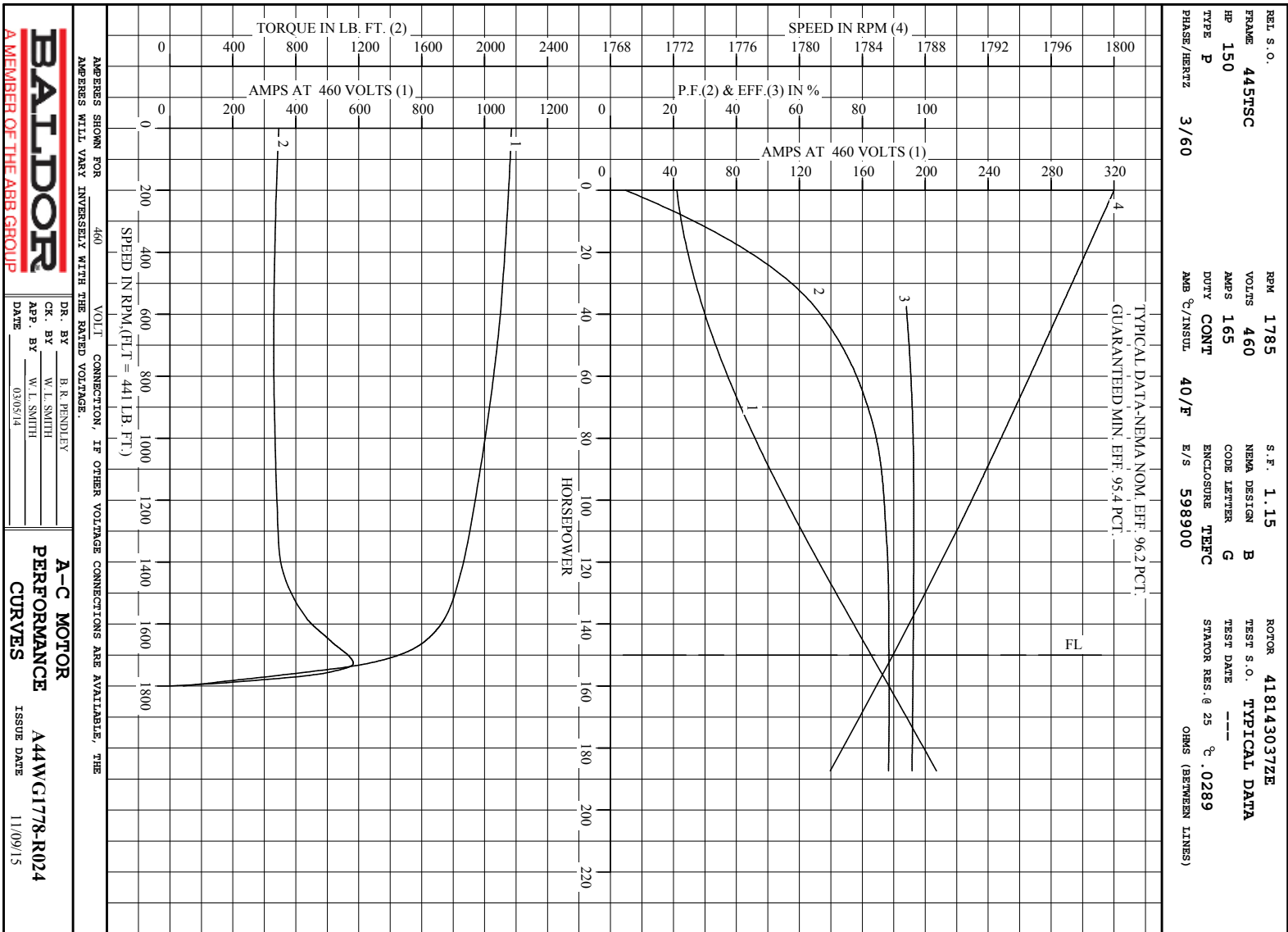
REMARKS: TYPICAL DATA
TYPICAL DATA-NEMA NOM. EFF. 96.2 PCT.
GUARANTEED MIN. EFF. 95.4 PCT.



DR. BY B. R. PENDLEY
CR. BY W. I. SMITH
APP. BY W. I. SMITH
DATE 03/05/14

A-C MOTOR PERFORMANCE DATA
A44WG1778-R024
ISSUE DATE 11/09/15

A MEMBER OF THE ABB GROUP



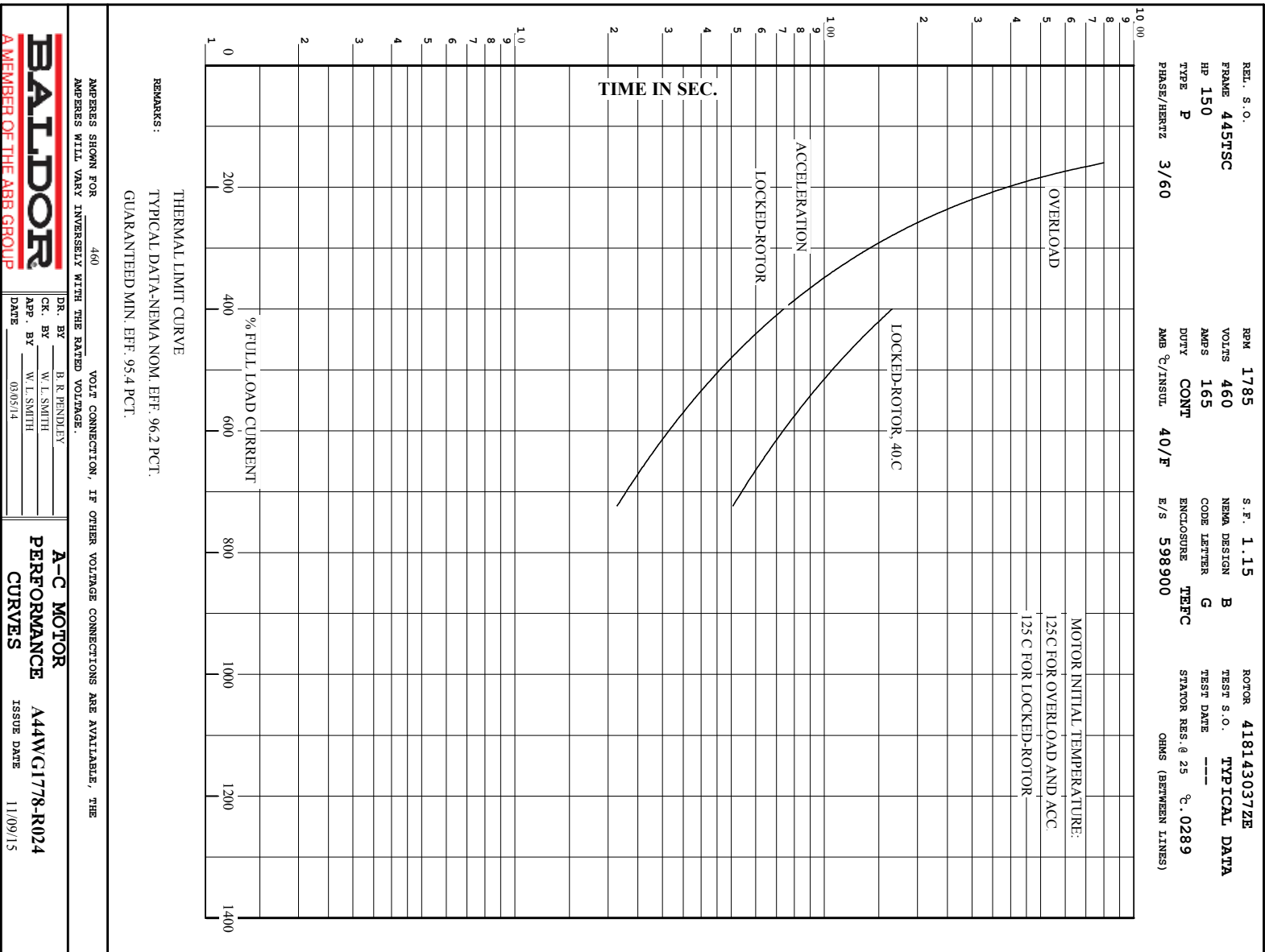
AMPS SHOWN FOR 460 VOLT CONNECTION, IF OTHER VOLTAGE CONNECTIONS ARE AVAILABLE, THE AMPS WILL VARY INVERSELY WITH THE RATED VOLTAGE.

BALDOR
A MEMBER OF THE ABB GROUP

DR. BY: B. R. BENDLEY
 CK. BY: W. L. SMITH
 App. BY: W. L. SMITH
 DATE: 03/05/14

A-C MOTOR PERFORMANCE CURVES
 A44WC1778-R024
 ISSUE DATE: 11/09/15

Printed on 11/9/15 13:22 @ bengap01.baldor.com



617426-001

DUTY MASTER ALTERNATING CURRENT MOTORS

SQUIRREL-CAGE INDUCTION

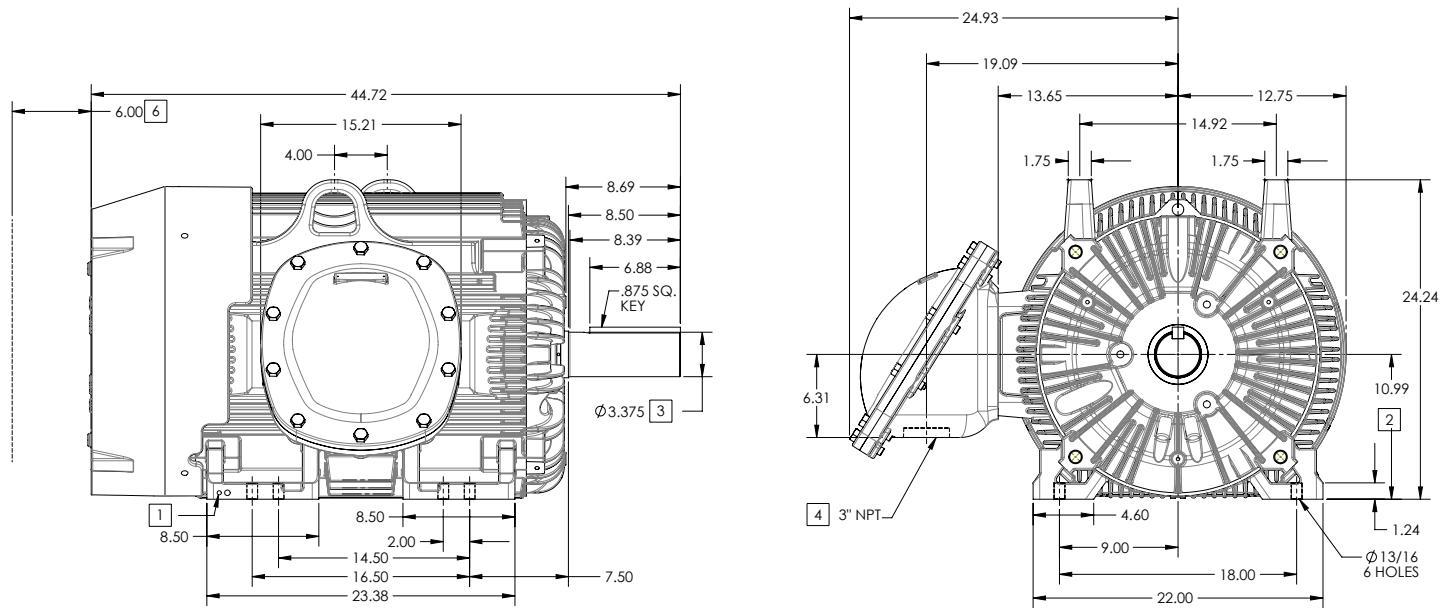
ENCLOSURE: UL LISTED MOTOR

FRAME G445T ABOVE NEMA RATINGS

COOLING: FAN COOLED

MOUNTING: FOOT

INCLUDES 444T FRAME MOUNTING HOLES



1. GROUND HOLES QTY 1 1/2-13 TAP; QTY 1 3/8-16 TAP
2. VARIES +.00,-.06
3. VARIES +.00,-.001
4. ON STANDARD MOTORS THIS IS CONDUIT SIZE. ON XT AND CORROSION PROOF MOTOR THIS IS PIPE TAP.
5. MOTOR WEIGHTS MAY VARY BY 15% DEPENDING ON RATING.
6. OBSTRUCTION MUST NO ENCROACH ON AIR INLET

CONDUIT BOX LOCATED ON OPPOSITE SIDE WHEN F-2.
IF MOUNTING CLEARANCE DETAILS ARE REQUIRED, CONSULT FACTORY.
MAXIMUM PERMISSIBLE SHAFT RUNOUT WHEN MEASURED AT END OF
STANDARD SHAFT EXTENSION IS .003" T.I.R. TO 5 INCH DIA.

[5] WEIGHT (LBS): 2150

DRIVE END AIR DEFLECTOR IS ONLY INCLUDED WHEN NECESSARY.

DIMENSIONS ARE IN INCHES; SEE SHEET 2 FOR DIMENSIONS IN MILLIMETERS

CUSTOMER IS RESPONSIBLE FOR DETERMINING THAT MOTOR PERFORMANCE IS SUITABLE IN THE APPLICATION.

SHEET NUMBER
1 OF 2

100-9672119

| | | |
|--|------------------------------|------------------|
| REV. DESC: CHANGED TO HAVE NEMA "BA" DIMENSION | REVISED: 10-13-00 11/20/2015 | TDR: 00000926001 |
| REV: C | VERSION: 03 | REF: |
| MODEL NO. 617426-001 | BY: RAGTBM | Material: |

BALDOR

G445T/444T XP - FOOTED - SIDE/CENTER C/B

617426-001

DUTY MASTER ALTERNATING CURRENT MOTORS

SQUIRREL-CAGE INDUCTION

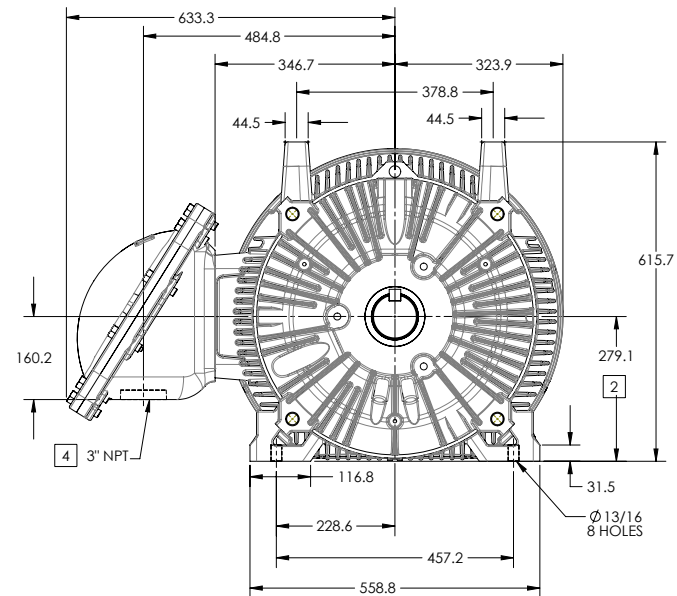
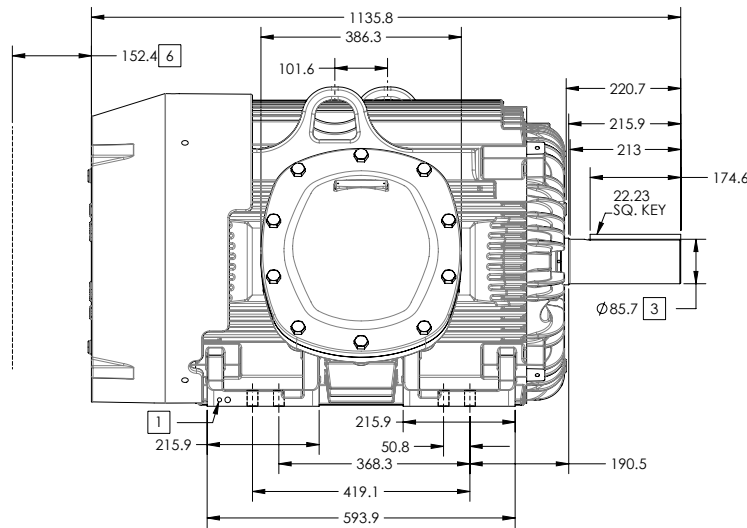
ENCLOSURE: UL LISTED MOTOR

FRAME G445T ABOVE NEMA RATINGS

COOLING: FAN COOLED

MOUNTING: FOOT

INCLUDES 444T FRAME MOUNTING HOLES



1. GROUND HOLES QTY 1 1/2-13 TAP; QTY 1 3/8-16 TAP
2. VARIES +.00, -.06
3. VARIES +.000, -.001
4. ON STANDARD MOTORS THIS IS CONDUIT SIZE. ON XT AND CORROSION PROOF MOTOR THIS IS PIPE TAP.
5. MOTOR WEIGHTS MAY VARY BY 15% DEPENDING ON RATING.
6. OBSTRUCTION MUST NO ENCR OACH ON AIR INLET

CONDUIT BOX LOCATED ON OPPOSITE SIDE WHEN F-2.
IF MOUNTING CLEARANCE DETAILS ARE REQUIRED, CONSULT FACTORY.
MAXIMUM PERMISSIBLE SHAFT RUNOUT WHEN MEASURED AT END OF STANDARD SHAFT EXTENSION IS .08 MM T.I.R. TO 127 MM DIA.

5 WEIGHT (KGS): 975

DRIVE END AIR DEFLECTOR IS ONLY INCLUDED WHEN NECESSARY.

DIMENSIONS ARE IN MILLIMETERS; SEE SHEET 1 FOR DIMENSIONS IN INCHES

CUSTOMER IS RESPONSIBLE FOR DETERMINING THAT MOTOR PERFORMANCE IS SUITABLE IN THE APPLICATION.

SHEET NUMBER
2 OF 2

100-9C72119

| | | |
|--|------------------------------|------------------|
| REV. DESC: CHANGED TO HAVE NEMA "BA" DIMENSION | REVISED: 10-13-00 11/20/2015 | TDR: 00000926001 |
| REV: C | VERSION: 03 | REF: |
| MODEL NO. 617426-001 | BY: RAGTBM | Material: |

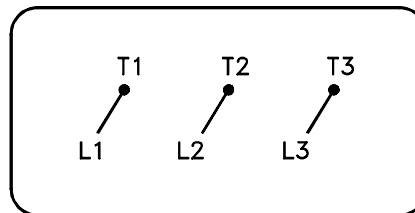
BALDOR

G445T/444T XP - FOOTED - SIDE/CENTER C/B

617426-001

416820-036

A-C MOTOR
CONNECTION DIAGRAM
STANDARD 3 LEAD CONNECTED



(N.P. 1575-BA)

416820-036

| | | |
|--------------------------------------|------------------------------|-------------------|
| REV. DESC: LOADED TO BUS, C/R 335225 | | |
| REV. LTR: - | VERSION: 00 | TDR: 000000538207 |
| FILE: \MGA\00000\682 | REVISED: 11:54:06 04/30/2010 | |
| MTL: - | BY: RAGRA | |

BALDOR

CONN DIAG - STANDARD 3 LEAD

SH 1 of 1