

BALDOR® • ***RELIANCE***

Product Information Packet

EMVM3546D

.75KW,1760RPM,3PH,60HZ,D80D,3519M,TEFC,B

Part Detail							
Revision:	B	Status:	PRD/A	Change #:		Proprietary:	No
Type:	AC	Prod. Type:	3520M	Elec. Spec:	35WGL315	CD Diagram:	CD0005
Enclosure:	TEFC	Mfg Plant:		Mech. Spec:	35Q176	Layout:	35LYQ176
Frame:	D80D	Mounting:	B5	Poles:	04	Created Date:	12-15-2015
Base:	N	Rotation:	R	Insulation:	F	Eff. Date:	12-08-2016
Leads:	9#18					Replaced By:	
Literature:		Elec. Diagram:					

Nameplate NP3386L					
CAT.NO.	EMVM3546D				
SPEC.	35Q176L315G1				
IEC FRAME	D80D	KW	.75KW		
VOLTS	230/460				
AMP	3/1.5				
RPM	1760	ENCL	TEFC		
HZ	60	PH	3	CL	F
SER.F.	1.15	DES	B	CODE	L
NEMA-NOM-EFF	85.5	I.P.	54		
RATING	40C AMB-CONT				
CC	010A	USABLE AT 208V	3.1		
DE	6205	ODE	6203		
SER. #					
	SFA 3.4/1.7				

Parts List		
Part Number	Description	Quantity
SA312108	SA 35Q176L315G1	1.000 EA
RA299546	RA 35Q176L315G1	1.000 EA
34FN3002B01	EXTERNAL FAN, PLASTIC, .637/.639 HUB W/	1.000 EA
NS2512A01	INSULATOR, CONDUIT BOX X	1.000 EA
35CB3007	35 CB CASTING W/.88 DIA. LEAD HOLE	1.000 EA
36GS1000SP	GASKET-CONDUIT BOX, .06 THICK #SV-330 LE	1.000 EA
51XB1016A07	10-16 X 7/16 HXWSSLD SERTYB	2.000 EA
11XW1032G06	10-32 X .38, TAPTITE II, HEX WSHR SLTD U	1.000 EA
35FE3100M01	FREP TEFC ASSEMBLY FOR ROUTING	1.000 EA
HW4500A01	1641B(ALEMITE)400 UNIV, GREASE FITT	1.000 EA
HW5100A03SP	WAVY WASHER (W1543-017)	1.000 EA
35EP1518A01	MODEL 35 IEC FF165 MACH. 80 & D90 205 BR	1.000 EA
HW4500A01	1641B(ALEMITE)400 UNIV, GREASE FITT	1.000 EA
HW4600A30	GARLOCK 63X273 SINGLE LIP SEAL	1.000 EA
51XN1032A20	10-32 X 1 1/4 HX WS SL SR	2.000 EA
51XB1214A16	12-14X1.00 HXWSSLD SERTYB	1.000 EA
35FH4005A84SP	IEC FH W/GRSR, NO DIMPLES PRIMED	1.000 EA
51XW1032A06	10-32 X .38, TAPTITE II, HEX WSHR SLTD S	3.000 EA
35CB4521GX	CONDUIT BOX LID KIT	1.000 EA
51XW0832A07	8-32 X .44, TAPTITE II, HEX WSHR SLTD SE	4.000 EA
HW2504E10	KEY, 6 MM X 1.000	1.000 EA
MJ5001A27	32220KN GRAY SEALER *MIN BUY 4 QTS=1GAL	0.001 QT
85XU0407S04	4X1/4 U DRIVE PIN STAINLESS	2.000 EA
MJ1000A02	GREASE, POLYREX EM EXXON (USe 4824-15A)	0.050 LB

Parts List (continued)		
Part Number	Description	Quantity
MG1000Y03	MUNSELL 2.53Y 6.70/ 4.60, GLOSS 20,	0.017 GA
HA3100A80	THRUBOLT 10-32 X 7.500	4.000 EA
MN416A01	TAG-INSTAL-MAINT no wire (1000/bx) 11/14	1.000 EA
LC0005E01	CONN.DIA./WARNING LABEL (LC0005/LB1119N)	1.000 EA
NP3386L	ALUM SUPER-E IEC UL CSA-EEV CC	1.000 EA
35PA1066	PKG GRP, PRINT PK1008A06	1.000 EA
PK3082	STYROFOAM CRADLE	1.000 EA

AC Induction Motor Performance Data

Record # 54480 - Typical performance - not guaranteed values

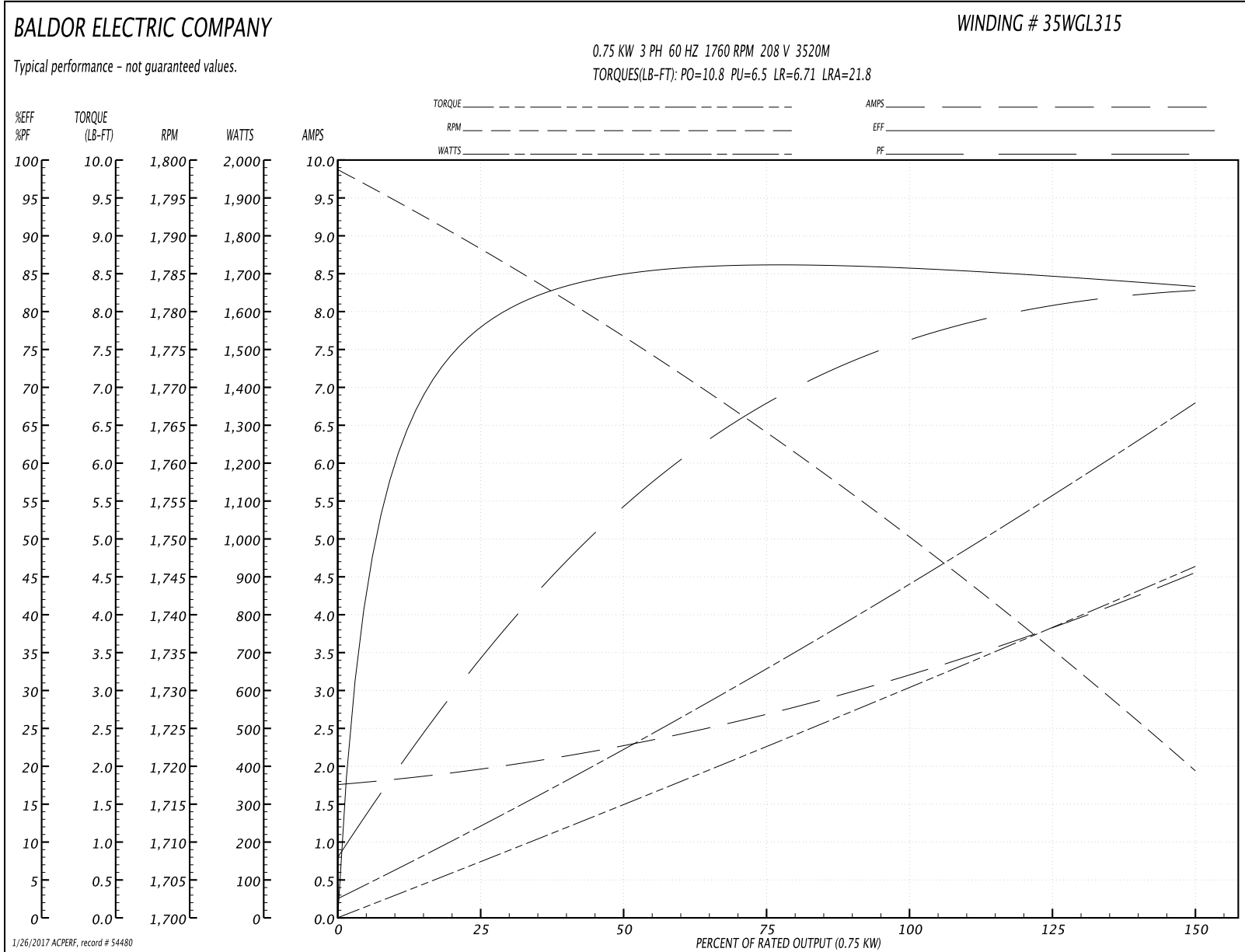
Winding: 35WGL315-R013	Type: 3520M	Enclosure: TEFC
-------------------------------	--------------------	------------------------

Nameplate Data				208 V, 60 Hz: Low Voltage Connection	
Rated Output (KW)	.75			Full Load Torque	3.02 LB-FT
Volts	230/460			Start Configuration	direct on line
Full Load Amps	3/1.5			Breakdown Torque	10.8 LB-FT
R.P.M.	1760			Pull-up Torque	6.5 LB-FT
Hz	60	Phase	3	Locked-rotor Torque	6.71 LB-FT
NEMA Design Code	B	KVA Code	L	Starting Current	21.8 A
Service Factor (S.F.)	1.15			No-load Current	1.79 A
NEMA Nom. Eff.	85.5	Power Factor	71	Line-line Res. @ 25°C	3.78 Ω
Rating - Duty	40C AMB-CONT			Temp. Rise @ Rated Load	36°C
S.F. Amps	3.4/1.7			Temp. Rise @ S.F. Load	44°C
				Locked-rotor Power Factor	53.5
				Rotor inertia	0.118 LB-FT ²

Load Characteristics 208 V, 60 Hz, 0.75 KW

% of Rated Load	25	50	75	100	125	150	S.F.
Power Factor	35	55	68	75	81	83	79
Efficiency	78.2	84.9	86.2	85.9	84.8	83.3	85.2
Speed	1788	1776	1764	1751	1736	1719	1743
Line amperes	1.92	2.27	2.69	3.22	3.83	4.54	3.49

Performance Graph at 208V, 60Hz, 0.75KW Typical performance - Not guaranteed values



AC Induction Motor Performance Data

Record # 54482 - Typical performance - not guaranteed values

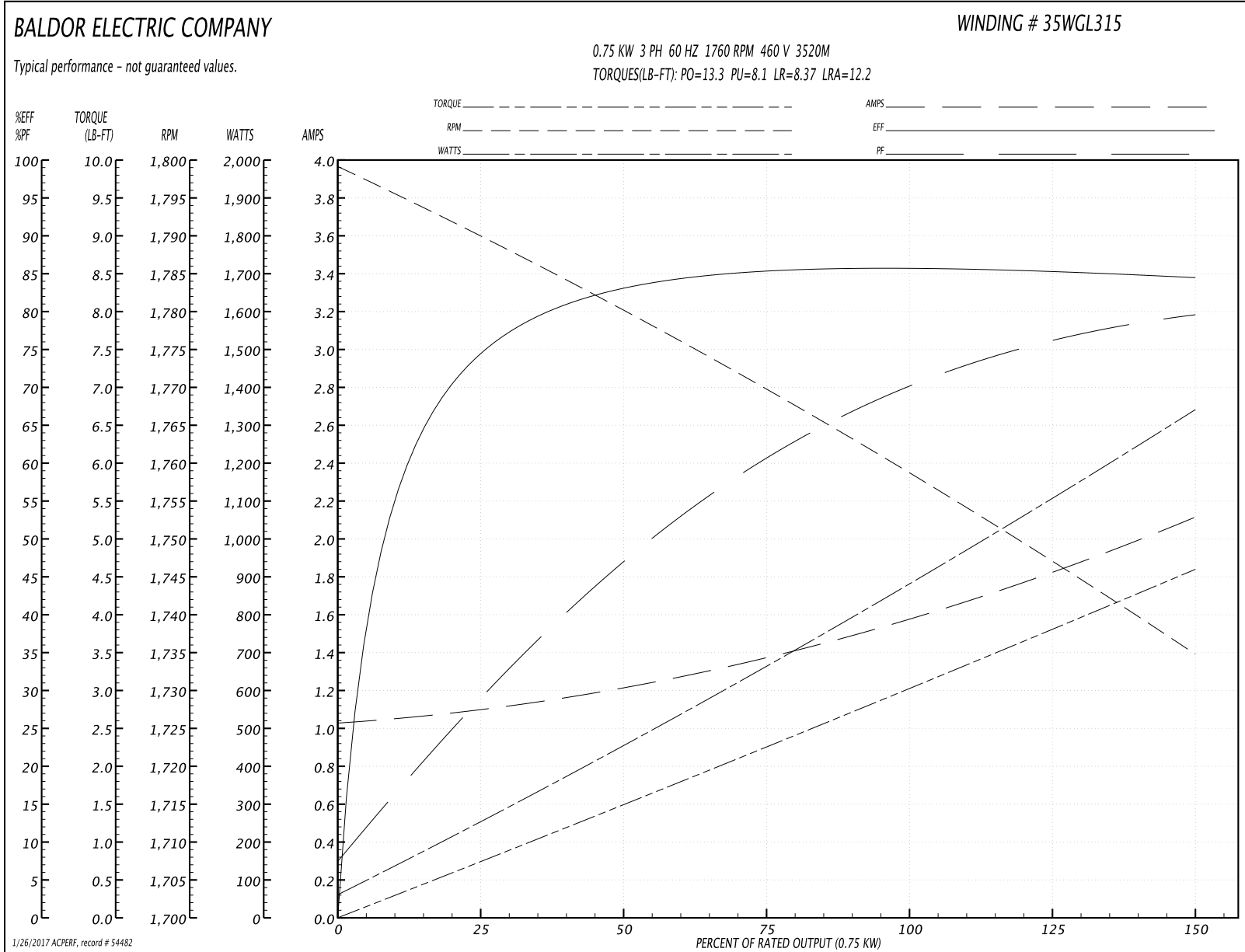
Winding: 35WGL315-R013	Type: 3520M	Enclosure: TEFC
-------------------------------	--------------------	------------------------

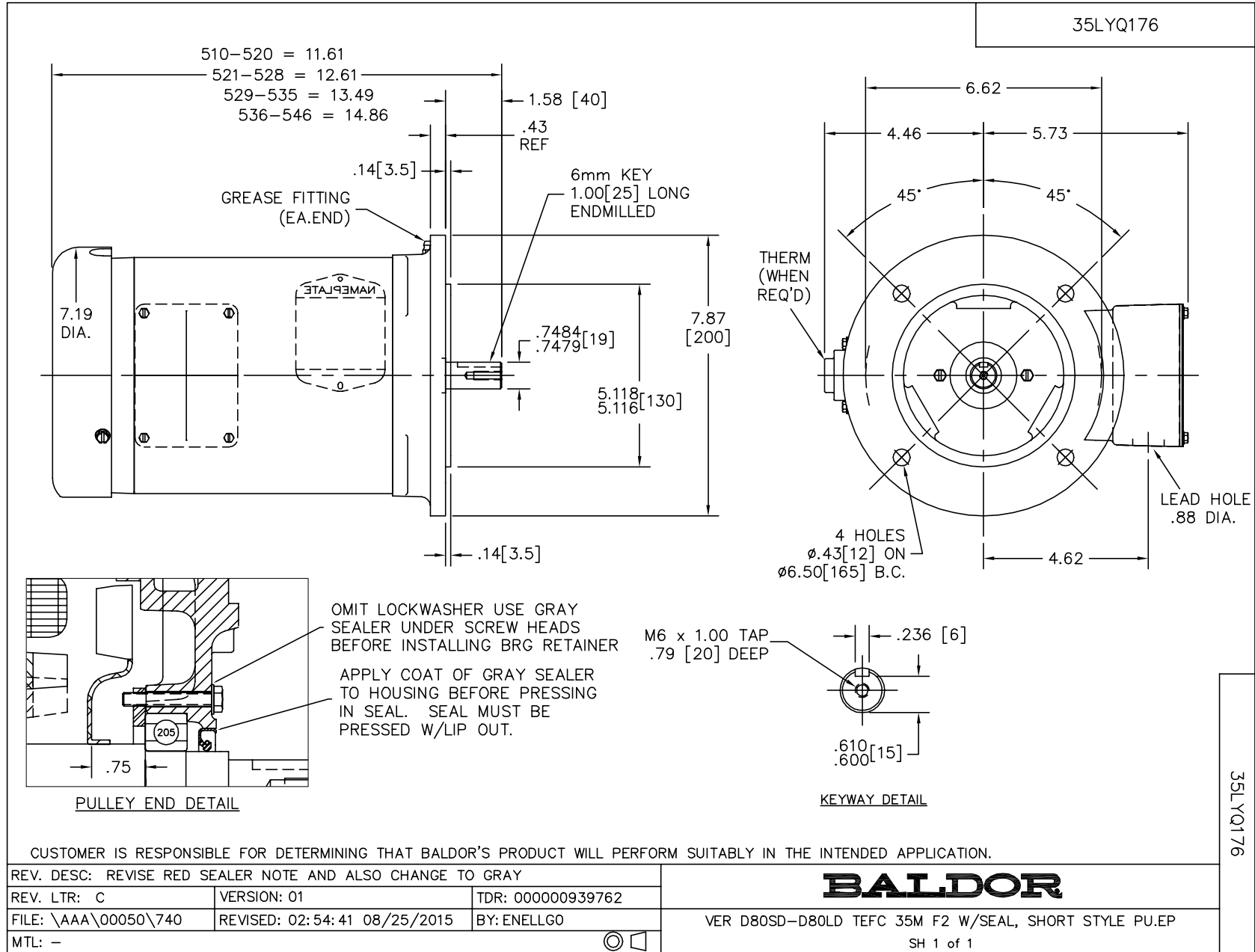
Nameplate Data				460 V, 60 Hz: High Voltage Connection	
Rated Output (KW)	.75			Full Load Torque	3 LB-FT
Volts	230/460			Start Configuration	direct on line
Full Load Amps	3/1.5			Breakdown Torque	13.3 LB-FT
R.P.M.	1760			Pull-up Torque	8.1 LB-FT
Hz	60	Phase	3	Locked-rotor Torque	8.37 LB-FT
NEMA Design Code	B	KVA Code	L	Starting Current	12.2 A
Service Factor (S.F.)	1.15			No-load Current	1.04 A
NEMA Nom. Eff.	85.5	Power Factor	71	Line-line Res. @ 25°C	15.1 Ω
Rating - Duty	40C AMB-CONT			Temp. Rise @ Rated Load	36°C
S.F. Amps	3.4/1.7			Temp. Rise @ S.F. Load	42°C
				Locked-rotor Power Factor	53.5
				Rotor inertia	0.118 LB-FT ²

Load Characteristics 460 V, 60 Hz, 0.75 KW

% of Rated Load	25	50	75	100	125	150	S.F.
Power Factor	30	47	61	69	76	80	75
Efficiency	74.7	83.2	85.5	85.8	85.3	84.6	85.4
Speed	1790	1780	1770	1759	1747	1735	1754
Line amperes	1.08	1.22	1.37	1.58	1.82	2.11	1.69

Performance Graph at 460V, 60Hz, 0.75KW Typical performance - Not guaranteed values

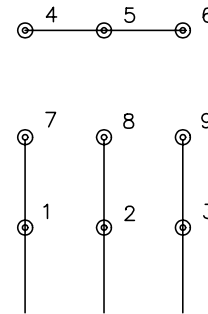




CD0005

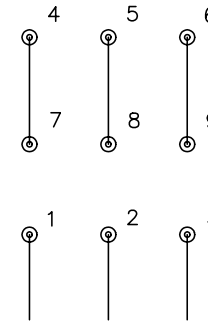


LOW VOLTAGE
(2Y)



LINE

HIGH VOLTAGE
(1Y)



LINE

NOTES:

1. INTERCHANGE ANY TWO LINE LEADS TO REVERSE ROTATION.
2. OPTIONAL THERMOSTATS ARE PROVIDED WHEN SPECIFIED.
3. ACTUAL NUMBER OF INTERNAL PARALLEL CIRCUITS MAY BE A MULTIPLE OF THOSE SHOWN ABOVE.
4. LEAD COLORS ARE OPTIONAL. LEADS MUST ALWAYS BE NUMBERED AS SHOWN.

REV. DESC: REVISE TO SHOW OPTIONAL COLORS			
REV. LTR: E	BY: JLP	REVISED: 01/19/99 10:15	TDR: 0171435
900000		FILE: AAA00005140	MDL: -
		MTL: -	

BALDOR ELECTRIC Co.

3PH, DV, 9 LEADS

CD0005