

BALDOR® • ***RELIANCE***

Product Information Packet

IDBRPM25754

75 HP 1750 TEBC FL2586 460V

Part Detail							
Revision:	-	Status:	PRD/A	Change #:		Proprietary:	No
Type:	AC	Prod. Type:		Elec. Spec:	L3272A	CD Diagram:	422927-001
Enclosure:	TEBC	Mfg Plant:		Mech. Spec:		Layout:	617581-001
Frame:	FL2586Z	Mounting:	F3	Poles:	04	Created Date:	04-10-2015
Base:		Rotation:	R	Insulation:	H	Eff. Date:	04-13-2015
Leads:						Replaced By:	
Literature:		Elec. Diagram:					

Parts List		
Part Number	Description	Quantity
WS286699	WS P25T0303	1.000 EA
RA282907	RA P25T0303	1.000 EA
000613006NS	RPM AC WITH CERTIFIED LOGO	1.000 EA
000692000FP	NP, WARNING LIFT INSTRUCTIONS	1.000 EA
000692000NH	LABEL DIRECTION AIR FL	1.000 EA
000692000VD	LABEL WARNING	1.000 EA
036170004EA	ROUND HEAD DRIVE SCREW	4.000 EA
418056062B	NP AC BLOWER DATA	1.000 EA
422927001	C/D LABEL	1.000 EA
036100080KA	M10-1.50X 80MM HXSOCHDCS	3.000 EA
036500010AB	METRIC NUT M10-1.5PLTD400	4.000 EA
036500010AB	METRIC NUT M10-1.5PLTD400	4.000 EA
036610010AB	MHSLW M10 PLATED	4.000 EA
400638001H	SPRING WASHER	1.000 EA
418057491A	LIFTING LUG	2.000 EA
602018077A	DRAIN	1.000 EA
602018077A	DRAIN	1.000 EA
609830005ABP	TBOLT	4.000 EA
807582003AAA	BRKT,DE,250AC UNFINISHED BRACKET	1.000 EA
807582004AAB	BRKT,ODE,L250	1.000 EA
032018004AK	HHCS 1/4-20X1/2 PLATED	2.000 EA
036000012HB	HHCS M6X12MM LONG PLATED	3.000 EA
036000020HB	HHCS M6-1.0X20MM PLATED	4.000 EA
036620008AB	M6 METRIC EXT LOCKWASHER	1.000 EA

Parts List (continued)		
Part Number	Description	Quantity
065591000B	GASK 250-280	1.000 EA
075454001AJ	C/BOX, PAINTED 250-280	1.000 EA
075455000A	CBOXC, PAINTED 250-280	1.000 EA
406673002C	.75 CAP PLUG	1.000 EA
412043002E	PLUG	1.000 EA
415000103A	T/LUG #14AWG-#4AWG W/HOLE FOR .250 BOLT	1.000 EA
417733004T	GASKET CONDUIT BOX	2.000 EA
418018074A	GROUND LABEL G100 METRIC 160 D.C.	1.000 EA
418057260A	SCREW PHILLIPS PAN HD	4.000 EA
418057373A	SCREW SHEET METAL	7.000 EA
417077-141	BLWR MTR	1.000 EA
708533003A	PLATE, BTM FAN/BLOWER	2.000 EA
708534003A	BAFFLE, FAN/BLOWER	1.000 EA
708534050A	BLOWER SHROUD	1.000 EA
708534051A	FL250 FAN GRILL	1.000 EA
000640000P	TAG WINDING THERMOST	1.000 EA
004824007K	SPECIAL PAINT	0.100 EA
034180024GA	KEY 1/2X1/2X3 L	1.000 EA
418018122A	LABEL	2.000 EA

REL. S.O. -
 FRAME FL2586
 HP 75
 BASE SPEED 1775
 PHASE/HERTZ 3/60

VOLTS 460
 AMPS 96
 DUTY CONT
 S.F. 1.0
 AMB °C/INSUL 40/H

ENCLOSURE TEBC
 MAX SAFE RPM 5000
 IM (AMPS) 48
 P.F.@NL/FL .045/.804
 WK² (LB-FT²) 4.9

WYE CONN EQ CKT OHMS PER PHASE (AT BASE RATING, 25 °C)
 R1 .0443 X1 .229
 R2 .0311 X2 .333
 XM 5.73

RATED FULL LOAD DATA

	RPM	HP	TORQUE LB-FT	FUND VOLTS	FREQ-HZ	AMPS
BASE SPEED	1776	75.0	222	460	60	95.3
MAX SPEED	3547	75.1	111	460	120	87.6
MIN SPEED	0	0	222	12.2	.814	95.3



LOAD PERFORMANCE AT BASE SPEED

	RPM	HP	TORQUE LB-FT	FUND VOLTS	FREQ-HZ	AMPS
NO LOAD	1800	0	0	460	60	46.6
1/4	1794	18.8	55	460	60	52.1
1/2	1788	37.5	110	460	60	62.9
3/4	1782	56.2	166	460	60	77.9
FULL LOAD	1776	75.0	222	460	60	95.3
O/L	1746	148	444	460	60	177

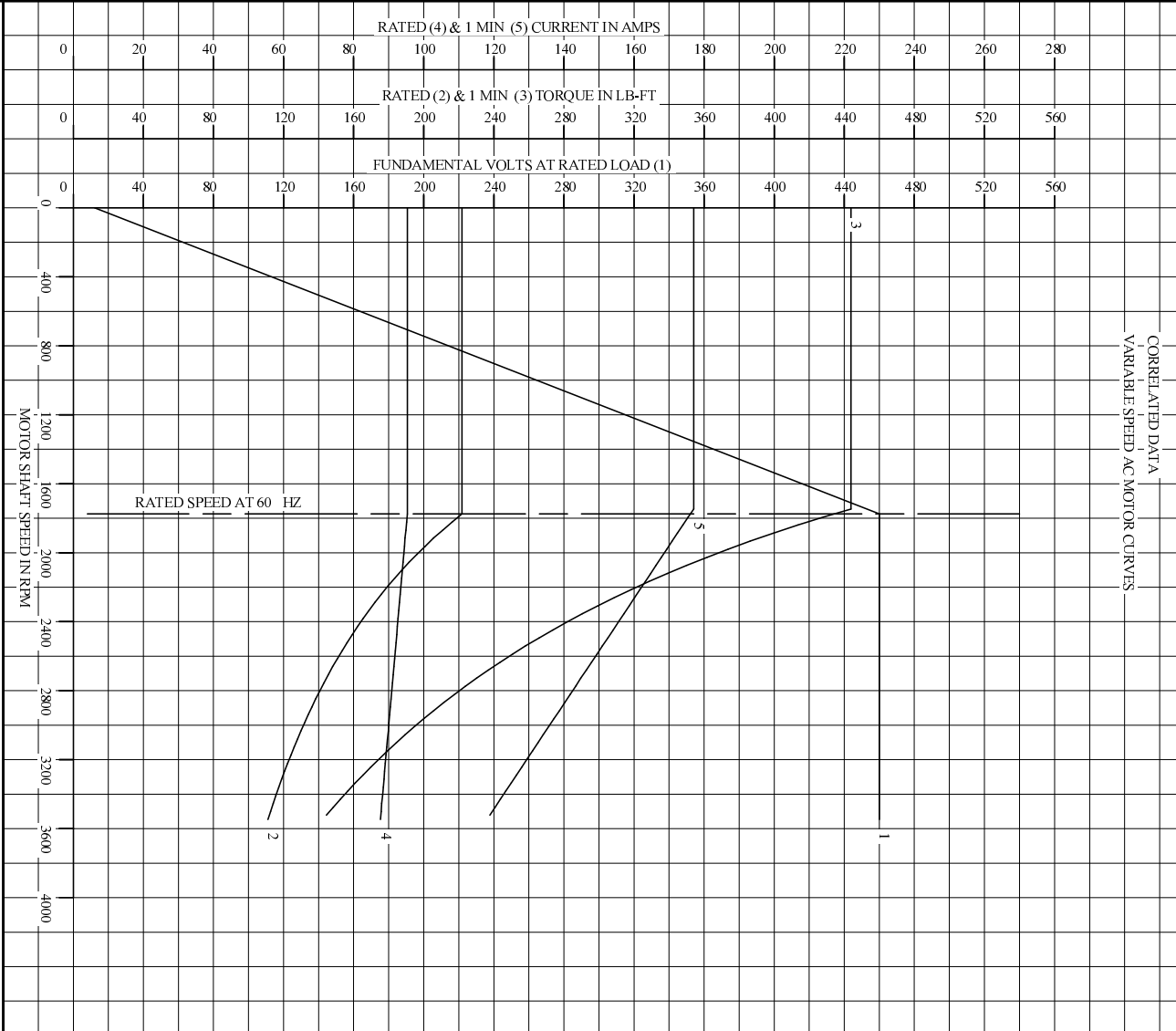
BLOWER DATA

VOLTS	PH/HZ	FL AMPS	LR AMPS	FRAME	CFM

REMARKS: TYPICAL DATA
 CORRELATED DATA

	DR. BY B. GRANT	
	CK. BY T. CUER	
APP. BY 9-7-06	DATE 9-7-06	ISSUE DATE 9-7-06

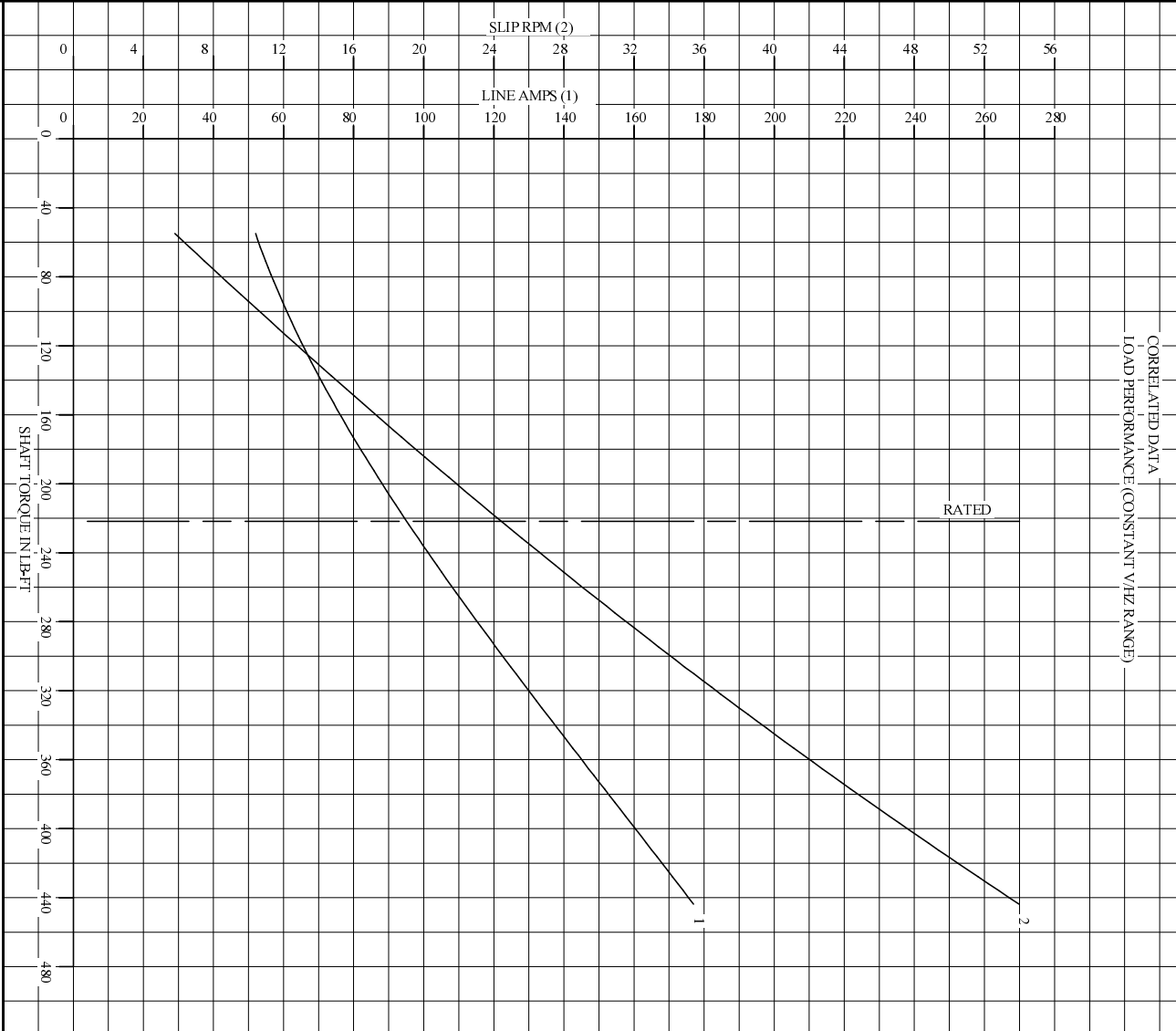
REL. S.O.	-	VOLTS	460	ENCLOSURE	TEBC	WYE CONN EQ CRT OHMS PER PHASE
FRAME	FL2586	AMPS	96	MAX SAFE RPM	5000	(AT BASE RATING, 25 °C)
HP	75	DUTY	CONT	IM (AMPS)	48	R1 .0443 X1 .229
BASE SPEED	1775	S.F.	1.0	P.F.@NL/FL	.045/.804	R2 .0311 X2 .333
PHASE/HERTZ	3/60	AMB C _i /INSUL	40/H	WK ² (LB-FT ²)	4.9	XM 5.73



REMARKS: TYPICAL DATA
DATA VALID FOR NAMEPLATE SPEED RANGE ONLY

BALDOR BALDOR • DOUGLASS • RELIANCE	DR. BY	B. GRANT	A-C MOTOR PERFORMANCE CURVES	L3272A SH 1 OF 2 ISSUE DATE 9-7-06
	CK. BY	B. GRANT		
	APP. BY	T. CURR		
	DATE	9-7-06		

REL. S.O.	-	VOLTS	460	ENCLOSURE	TEBC	WYE CONN EQ CKT OHMS PER PHASE
FRAME	FL2586	AMPS	96	MAX SAFE RPM	5000	(AT BASE RATING, 25°C)
HP	75	DUTY	CONT	IM (AMPS)	48	R1 .0443 X1 .229
BASE SPEED	1775	S.F.	1.0	P.F.@NL/FL	.045/.804	R2 .0311 X2 .333
PHASE/HERTZ	3/60	AMB C/INSUL	40/H	WK ² (LB-FT ²)	4.9	XM 5.73



REMARKS: TYPICAL DATA
DATA VALID FOR NAMEPLATE SPEED RANGE ONLY

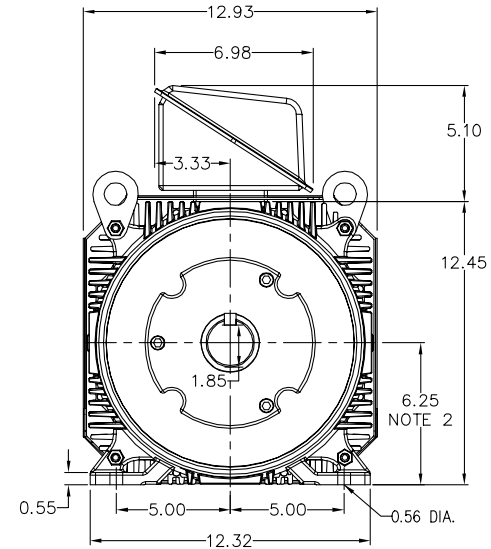
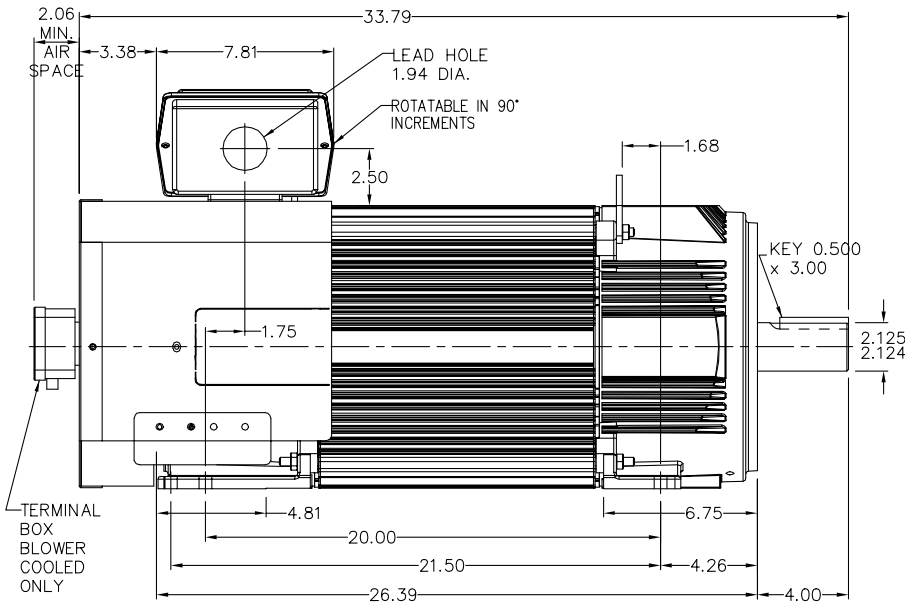
BALDOR BALDOR • DOUG • RELIANCE	DR. BY	B. GRANT	A-C MOTOR PERFORMANCE CURVES	L372A SH20F2 ISSUE DATE 9-7-06
	CK. BY	B. GRANT		
	APP. BY	T. CURR		
	DATE	9-7-06		

617581-001

RPM-AC FINNED FRAME VARIABLE SPEED ALTERNATING CURRENT
MOTOR
FL & UFL2586Z

ENCLOSURE: TOTALLY ENCLOSED
MOUNTING: FOOT
DRIVE METHOD: COUPLED OR BELTED

COOLING: BLOWER COOLED or
FAN COOLED
ACCESSORIES: PROVISIONS FOR
TACHOMETER MOUNTING
ONLY WHEN SPECIFIED



NOTE 1: C-FACE & TACHOMETER MOUNTING
1/2-13 TAP, 1.00 DEEP, ON A 7.25 DIA. BOLT CIRCLE
FACE RUNOUT AND ECCENTRICITY 0.004 MAX. T.I.R.

NOTE 2: SHAFT HEIGHT WILL NOT BE EXCEEDED
SHIMS UP TO 0.03 INCHES IN THICKNESS ARE USUALLY
REQUIRED FOR COUPLED OR GREARED MACHINES

TERMINAL BOX MAY BE LOCATED F1 OR F2 IF SPECIFIED
121 AMP STEEL TERMINAL BOX SHOWN
REFER TO 616779-50 FOR SPECIFIED TERMINAL BOX DIMENSIONS
REFER TO 616779-55 FOR SPECIFIED TACHOMETER DIMENSIONS

MOTOR WEIGHT: 605 LBS. (MAY VARY 15%)
DIMENSIONS ARE IN INCHES SCALE: 1.00

617581-001

CUSTOMER IS RESPONSIBLE FOR DETERMINING THAT BALDOR'S PRODUCT WILL PERFORM SUITABLY IN THE INTENDED APPLICATION.

REV. DESC: ASSIGNED TO BUSLOAD		
REV. LTR: -	VERSION: 00	TDR: 000000475986
FILE: \RGG\00002\904	REVISED: 15:23:16 09/17/2008	BY: CONBAT
MTL: -		

BALDOR • DODGE • RELIANCE

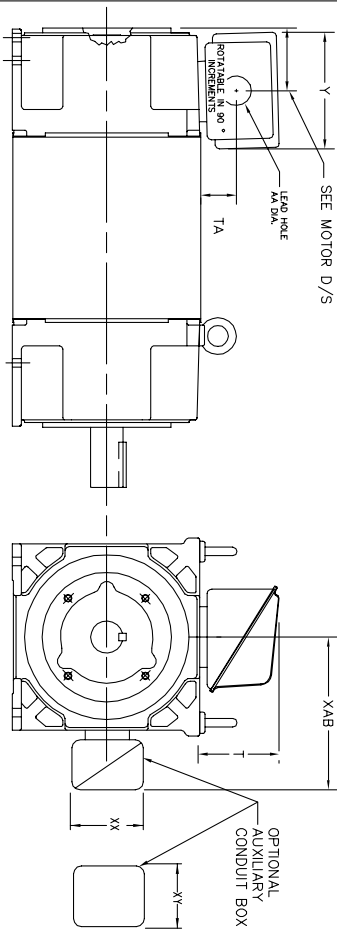
DIM SHT FL & UFL2586Z RPM AC TE BLWR OR FAN COOLED

SH 1 of 1

616779-050

INDUSTRIAL ALTERNATING CURRENT MOTORS RPM AC

STEEL, CAST IRON, MILL AND TERMINAL BOARD CONDUIT BOX DIMENSIONS
NEMA FRAMES FL210 thru RL280 and IEC FRAMES RDL132 thru RDL180
NEMA FRAMES FL180 thru FL280 and IEC FRAMES FDL112 thru FDL180



TERMINAL BOX	Y	TA	T	AA	MAX AMP'S	REMARKS
706310-63B	14.39	7.43	12.15	--	400	TERMINAL STRIP
706310-226R	9.00	3.06	5.40	Pg36 & P416	160	TERMINAL STRIP
706310-225R	7.25	2.30	4.40	Pg29 & P416	100	TERMINAL STRIP
706310-56B	9.00	3.06	5.40	Pg36 & P416	160	TERMINAL STRIP
706310-56A	7.75	2.30	4.40	Pg29 & P416	100	TERMINAL STRIP
706320-14D	15.00	7.56	12.81	5	510	CAST IRON
706320-13A	10.50	4.88	9.00	4.0 TAP	210	CAST IRON
706320-12B	9.25	4.81	8.56	3	140	CAST IRON
75460-62B	7.25	2.50	5.25	1.5 TAP	110	CAST IRON
706320-4C	5.75	2.38	4.38	1.0 TAP	60	CAST IRON FL180 ONLY
706310-3E	16.00	4.40	7.81	3	590	MILL
706310-3X	8.00	2.38	5.00	--	160	MILL
702658-1G	14.62	7.56	12.70	5	500	STEEL
706320-16A	9.00	4.12	8.44	4.59	305	STEEL
706320-9A	7.25	3.50	7.06	2.50	160	STEEL
75454-1AJ	7.69	2.38	5.25	1.94	121	STEEL
75452-B	6.34	2.00	4.12	1.75	61	STEEL
75452-G	6.34	2.00	4.12	--	61	SPECIAL
706320-5A	6.12	2.38	4.38	1.75/2.00	75	STEEL FL180 ONLY
706320-3A	5.00	1.62	3.00	1.12	40	STEEL FL180 ONLY
706320-7A	7.62	2.00	7.00	2.5/3.0	208	STEEL FL180 ONLY

FRAME SIZE	XAB	XX	XY	OPTIMUM AUXILIARY CONDUIT BOX DIMENSIONS (MAXIMUM)					
				FRAME SIZE	XAB	XX	XY		
FL210/FL132/RL210/RL132	7.38	4.25	4.25	60200-7-26-A	FL210/FL132/RL210/RL132	10.88	8.00	8.00	706310-3-B
FL220/FL180/RL220/RL180	8.44	4.23	4.23	60200-7-26-A	FL220/FL180/RL220/RL180	11.88	8.00	8.00	706310-3-B
FL280/FL180/RL280/RL180	9.12	4.23	4.23	60200-7-26-A	FL280/FL180/RL280/RL180	12.62	8.00	8.00	706310-3-B

- (1) 'AA' CONDUIT
- (2) 'AA' PIPE TAP
- (3) CUSTOMER TO PROVIDE HOLE FOR CONDUIT.
- (4) 'E' DN 'SA' OR 'I' TAP DN '4C'

TERMINAL BOX CAN BE ROTATED FOR LEAD OUTLET AT TOP, SIDES OR BOTTOM.
TERMINAL BOX LOCATED ON OPPOSITE SIDE WHEN F-2, W-1, W-4, W-5, W-7,
OR C-1 MOUNTING IS SPECIFIED. BOX LOCATED ON TOP WHEN SPECIFIED.

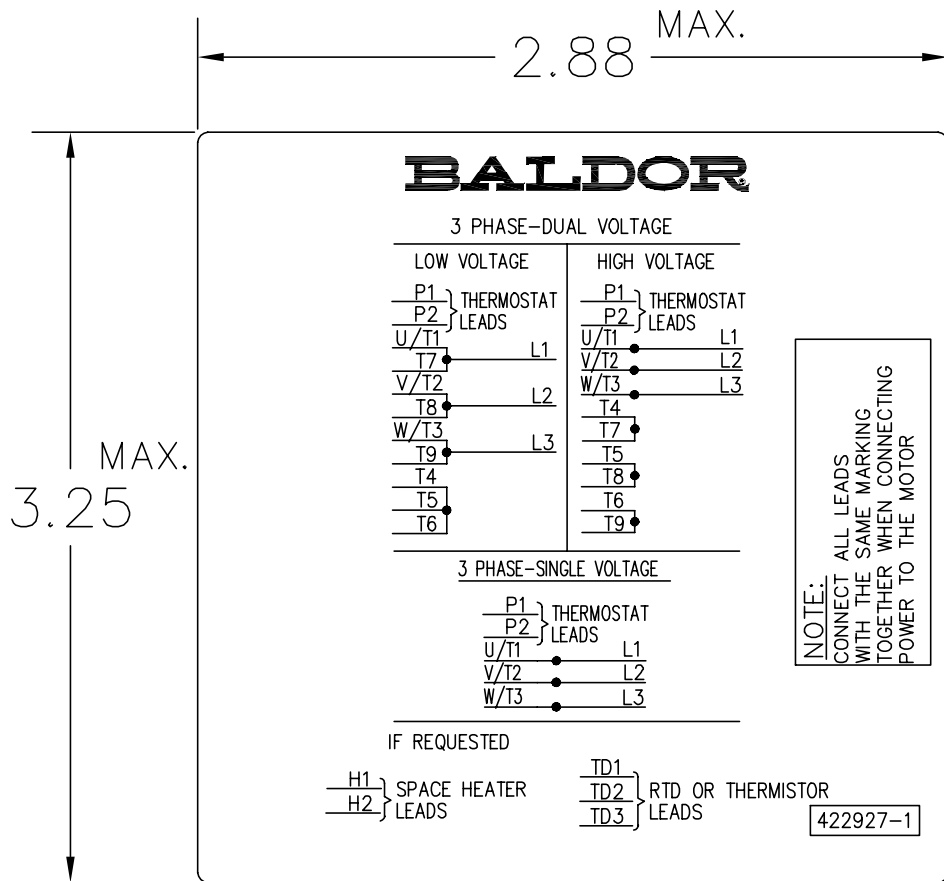
050-667619

CUSTOMER IS RESPONSIBLE FOR DETERMINING THAT BALDOR'S PRODUCT WILL PERFORM SUITABLY IN THE INTENDED APPLICATION.

REV. DESC: BOX # 706320-9A, CHANGE AA DIM FROM 2 TO 2.50	TDR: 000000785386
REV. LTR: C	VERSION: 03
FILE: \RGG\00003\692	REVISED: 08:40:55 02/11/2013
MTL: -	BY: RGGWT

BALDOR
DIM SHT NEMA RL210-RL280 FL180-FL280 IEC RDL132-RDL180
SH 1 of 1

422927-001



NOTE:
DATA TO BE SIZED
SO THAT IT FITS INTO
MATERIAL DECAL
DIMENSIONS. MAKE
LETTERS & NUMBERS
AS LARGE AS POSSIBLE.

MATERIAL: CERAMATIC DGF-P4
PERMA GRIP ADHESIVE

ALL LETTERS, NUMBERS
AND LINES TO BE BLACK
ON WHITE BACKGROUND.

422927-001

REV. DESC: CHANGE BACKGROUND COLOR FROM GOLD TO WHITE		
REV. LTR: B	VERSION: 02	TDR: 000000788708
FILE: \RGG\00000\203	REVISED: 08:09:29 03/04/2013	
MTL: -	BY: RGGWT	

BALDOR

EXTERNAL CONNECTION LABEL

SH 1 of 1

Marketing maintained PDF of MN406:

<http://www.baldor.com/support/Literature/Load.ashx/MN406?ManNumber=MN406>