

# **BALDOR**® • ***RELIANCE***

## **Product Information Packet**

# **IDDRPM4410004**

**1000HP,1785RPM,3PH,90HZ,L4461,DPGFV,FOOT**

Part Detail							
Revision:	-	Status:	PRD/A	Change #:		Proprietary:	No
Type:	AC	Prod. Type:		Elec. Spec:	L2029A	CD Diagram:	422927-001
Enclosure:	DPFV	Mfg Plant:		Mech. Spec:		Layout:	615917-001
Frame:	L4461	Mounting:	F1	Poles:	06	Created Date:	04-09-2015
Base:		Rotation:	R	Insulation:	H	Eff. Date:	04-13-2015
Leads:						Replaced By:	
Literature:		Elec. Diagram:					



Parts List		
Part Number	Description	Quantity
WS286586	WS P44L1344	1.000 EA
RA282818	RA P44L1344	1.000 EA
000613006NN	RPM AC WITH CERTIFIED LOGOS	1.000 EA
000692000EF	CAUTION LABEL	1.000 EA
000692000FP	NP, WARNING LIFT INSTRUCTIONS	1.000 EA
000692000VD	LABEL WARNING	1.000 EA
418057249A	LABEL (WARNING)	1.000 EA
418057747A	METAL FASTENER	8.000 EA
422927001	C/D LABEL	1.000 EA
004824007AB	PAINT,XT	0.300 EA
034141437AA	SNAP RING,BRG. LE	1.000 EA
004824015A	GREASE POLYREX EM	1.100 LB
034693003AB	PPLG 3/8" SLOT PIPE PLUG	1.000 EA
034693003AB	PPLG 3/8" SLOT PIPE PLUG	1.000 EA
035000001A	ALFTG 1/8" 1610-BL	1.000 EA
035000001BB	GREASE FTG,GRS.IN	1.000 EA
036000012JB	M8-1.25 X 12MM HXHDC	12.000 EA
036000020GB	HHCS SH B/HLDR MT	2.000 EA
036000070PB	HHCS M20-2.5X70MM PLTD.	4.000 EA
036000070PB	HHCS M20-2.5X70MM PLTD.	4.000 EA
036000090KB	HHCS,DE CAP - 400	4.000 EA
036000090KB	HHCS,DE CAP - 400	4.000 EA
036140001F	M30-3.5 X 45MM EYEBOLT	2.000 EA
036310010FB	RHMS TERM/BLK MTG	1.000 EA

<b>Parts List (continued)</b>		
<b>Part Number</b>	<b>Description</b>	<b>Quantity</b>
418150003A	GREASE FITTING CAP	2.000 EA
423317001A	GRD BRUSH HOLDER	1.000 EA
423317001B	GRD BRUSH	1.000 EA
424433001A	WAVY SPRING WSHER	1.000 EA
611917002Y	GASKET, NEOPRENE	1.000 EA
611917002Y	GASKET, NEOPRENE	1.000 EA
708518003A	COVER, HANDHOLE-SOLID	1.000 EA
708518003A	COVER, HANDHOLE-SOLID	1.000 EA
708532007A	L440 AIR BAFFLE	1.000 EA
804830101B	BRKT,ODE,L440	1.000 EA
804831001B	BRKT,DE,L440	1.000 EA
000613006NT	NAME PLATE IEC	1.000 EA
032018004CK	HHCS 3/8-16X1/2L PLATED	4.000 EA
032018008DK	HHCS 1/2-13X1 PLATED	4.000 EA
036000012KB	M10 1.50 X 12MM HXHDCS	4.000 EA
036000016HD	HXHCS	8.000 EA
036000016KB	HHCSM10-1.5X16MM PLTD-280	2.000 EA
036000020JB	HHCS M8-1.25X20L PLTD-250	6.000 EA
036000020JB	HHCS M8-1.25X20L PLTD-250	8.000 EA
036000020JD	HHCS M8X20MM LONG 304S.S	5.000 EA
036000025JB	HHCS M8X25MM LONG PLATED	8.000 EA
036000045JB	M8-1.25 X 45MM HXHCS	4.000 EA
036000070LB	MHHCS M12-1.75X70M -360	4.000 EA
036100020JA	M8-1.25 X 20MM HXSOCHDCS	6.000 EA

Product Information Packet: IDDRPM4410004 - 1000HP,1785RPM,3PH,90HZ,L4461,DPGFV,FOOT

036310020FB	M4-.7 20MM SLPAN HD MS	4.000 EA
036600008AD	FLTWSHR,T BLK SPT	8.000 EA
036620010AB	M10 EXT. TOOTH LK WASHER	1.000 EA
036620010AB	M10 EXT. TOOTH LK WASHER	2.000 EA
417733036B	GASKT,C/BOX BACKPLATE,REF 706310063E	1.000 EA
410978021A	FLANGE, INLET BLOWER HSG	1.000 EA
415000103F	TLUG	2.000 EA
417733001E	GASKT	2.000 EA
417733004M	GASKT	2.000 EA
417733013E	GASKT L440	1.000 EA
417733014F	GASKT L440	1.000 EA
418010006A	CAST,MPLATE,180-280,EX1,7BY	1.000 EA
418010012F	COVER	1.000 EA
418018074A	GROUND LABEL G100 METRIC 160 D.C.	4.000 EA
418019012A	SETSCREW METRIC	1.000 EA
418057229AB	LABEL (AUX.TERMINAL) I	1.000 EA
418057229AC	LABEL (AUX.TERMINAL) I	1.000 EA
418057256C	HHCS M10 25MM 440 IEC	1.000 EA
418057549	RTD LABEL	1.000 EA
419940004C	TRBRD (REK P/N 14363)CAM	2.000 EA
422919315	CVRKT PHANTOM	1.000 EA
422919316	CVRKT PHANTOM	1.000 EA
422919316	CVRKT PHANTOM	1.000 EA
422919317	CVRKT PHANTOM	1.000 EA
610409082A	ADAPTER	1.000 EA
610490003F	5HP,3450RPM,3PH,60HZ,184TC,3630M,TEFC,F1	1.000 EA

Product Information Packet: IDDRPM4410004 - 1000HP,1785RPM,3PH,90HZ,L4461,DPGFV,FOOT

611917002Y	GASKET, NEOPRENE	1.000 EA
611917002Y	GASKET, NEOPRENE	1.000 EA
611917002Z	GASKT	1.000 EA
706305020A	GUARD, SHAFT	1.000 EA
706310058E	KOBX CVR - 18.90 [480] X 19.49 [495]	1.000 EA
706310059F	ADAPT L440 REK	1.000 EA
706310063E	CBOX L440 1260A MAX	1.000 EA
706310082A	ADAPT (CBOX) L440	1.000 EA
706310125A	CBOX	1.000 EA
708518010A	COVER, HANDHOLE-C/BOX MTG	1.000 EA
708520001C	BLOWER WHEEL	1.000 EA
708528008A	SCROLL WELDMENT	1.000 EA
000640000P	TAG WINDING THERMOST	1.000 EA
004824007K	SPECIAL PAINT	0.300 EA
034180056LA	KEY 1X1X7 L	1.000 EA
036000025NF	SCREW, HEX M16 BRASS	2.000 EA
418018071	LABEL LABE	1.000 EA

REL. S. O. -  
 FRAME 14461  
 HP 1000  
 BASE SPEED 1785  
 PHASE/HERTZ 3/90

VOLTS 460  
 AMPS 1202  
 DUTY CONT 1.0  
 S.F. 1.0  
 AMB °C/INSUL 40/H

ENCLOSURE 2700  
 MAX SAFE RPM 2700  
 IM (AMPS) 454  
 P.F. @NL/FL .019/.819  
 WK<sup>2</sup> (LB-FT<sup>2</sup>) 207

DPFV  
 WYE CONN EQ CKT OHMS PER PHASE (AT BASE RATING, 25 °C)  
 R1 .00138 X1 .0257  
 R2 .00130 X2 .0360  
 XM .580


**RATED FULL LOAD DATA**

	RPM	HP	TORQUE LB-FT	FUND VOLTS	FREQ-HZ	AMPS
BASE SPEED	1785	1000	2942	460	90	1208
MAX SPEED	2550	1000	2060	460	128.6	1186
MIN SPEED	0	0	2942	4.95	.7324	1208

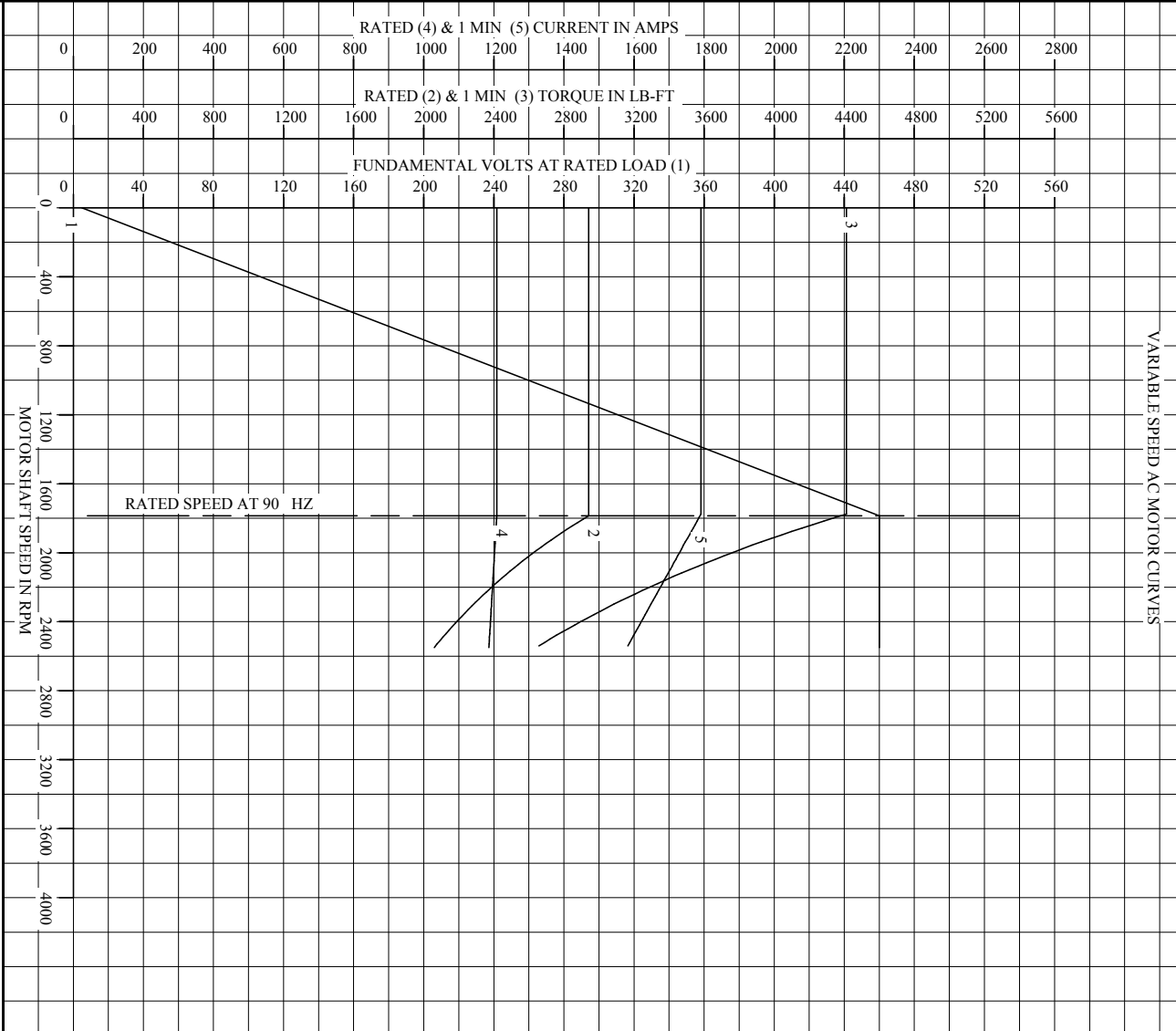
**LOAD PERFORMANCE AT BASE SPEED**

	RPM	HP	TORQUE LB-FT	FUND VOLTS	FREQ-HZ	AMPS
NO LOAD	1800	0	0	460	90	445
1/4	1797	250	732	460	90	533
1/2	1793	501	1467	460	90	721
3/4	1789	750	2201	460	90	950
FULL LOAD	1785	1000	2942	460	90	1208
O/L	1776	1493	4413	460	90	1791

REMARKS:

 <p><b>BALDOR</b> A MEMBER OF THE ABB GROUP</p>	DR. BY <u>M. MANEY</u> CK. BY <u>M. MANEY</u> APP. BY <u>T. EVON</u> DATE <u>1-23-01</u>	<p><b>A-C MOTOR</b> PERFORMANCE DATA</p> <p><b>L2029A</b> ISSUE DATE <u>1-23-01</u></p>
	<p>Printed on 2/1/13 11:10 @ r99</p>	

REL. S. O.	-	VOLTS	460	ENCLOSURE	DPFV	WYE CONN EQ CKT OHMS PER PHASE (AT BASE RATING, 25 °C)
FRAME	L4461	AMPS	1202	MAX SAFE RPM	2700	R1 .00138
HP	1000	DUTY	CONT	IM (AMPS)	454	X1 .0257
BASE SPEED	1785	S.F.	1.0	P.F. @NL/FL	.019/.819	R2 .00130
PHASE/HERTZ	3/90	AMB °C/INSUL	40/H	WK² (LD-FL 2)	207	X2 .0360
						X3 .580



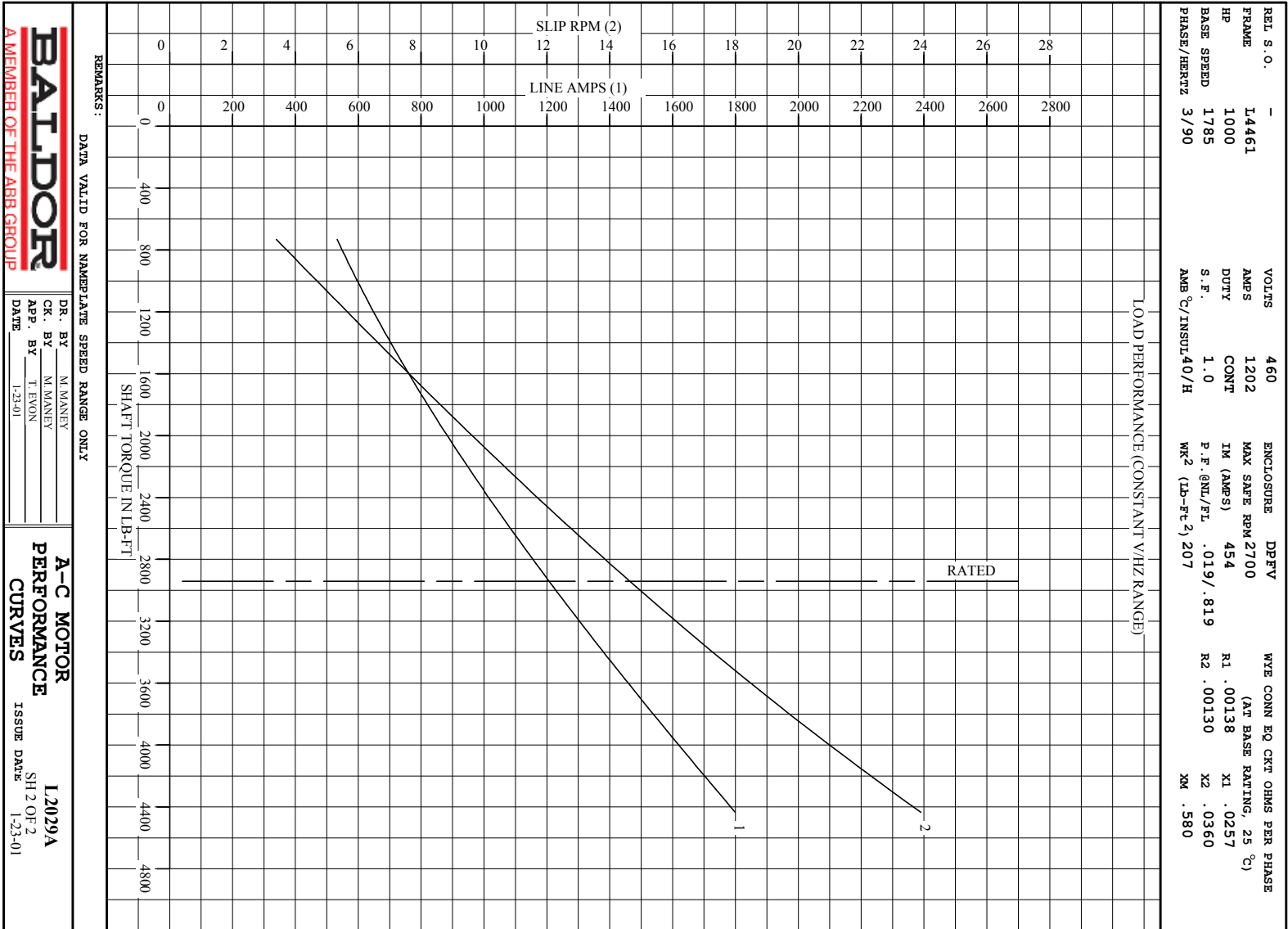
REMARKS: DATA VALID FOR NAMEPLATE SPEED RANGE ONLY

**BALDOR**  
A MEMBER OF THE ABB GROUP

DR. BY M. MANEY  
CK. BY M. MANEY  
APP. BY T. EVON  
DATE 1-23-01

**A-C MOTOR**  
**PERFORMANCE**  
**CURVES**

L2029A  
SH 1 OF 2  
ISSUE DATE 1-23-01



615917-001

**VARIABLE SPEED ALTERNATING CURRENT MOTORS**

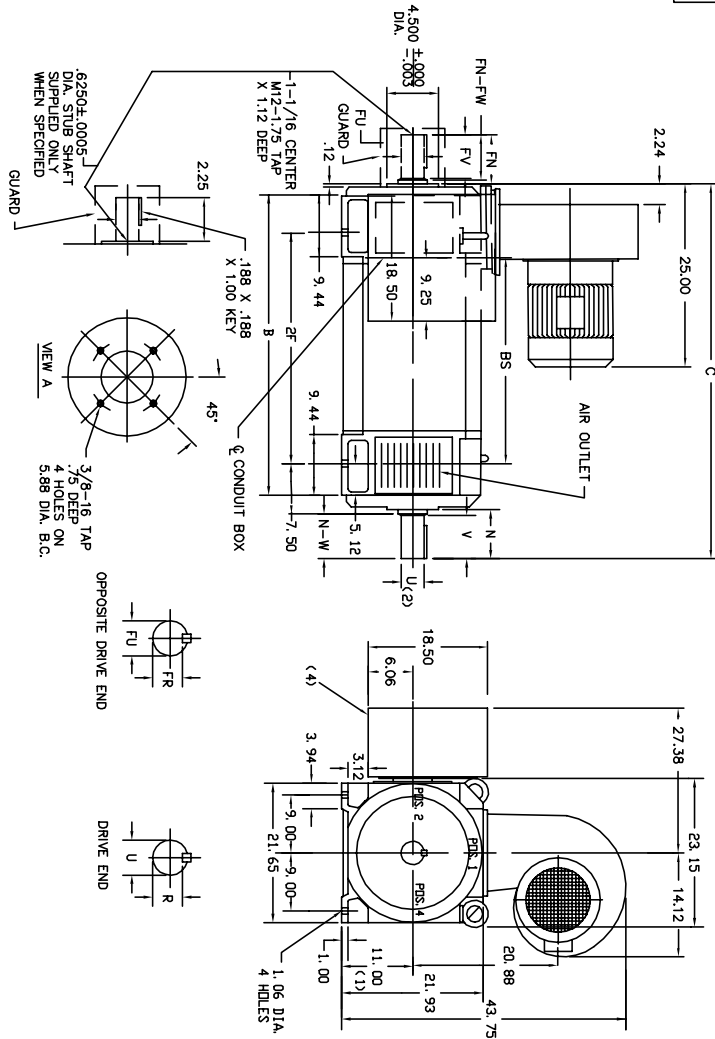
**RPM AC**

ENCLOSURE: DRIP-PROOF FULLY-GUARDED  
MOUNTING: FOOT

FRAMES L4429 THRU. L4473

COOLING: FORCE VENTILATED WITH INTEGRAL BLOWER AND MOTOR  
ACCESSORIES: TACHOMETER PROVISIONS

615917-001



FRAME	DRIVE METHOD	C	B	BS	DRIVE END SHAFT AND KEY										OPPOSITE DRIVE END SHAFT AND KEY									
					N	N-W	U(2)	V	R(3)	SO	LGTH	FN	FN-FW	FU(2)	FV	FR(3)	SO	LGTH	UBS					
L4429	COUPLED	55.63	42.48	27.75	32.25	9.23	8.75	4.250	8.50	3.690	1.00	7.00	9.23	8.75	4.250	8.50	3.690	1.00	7.00	3004				
UL4429	BELTED	55.63	42.48	27.75	32.25	9.23	8.75	4.500	8.50	3.944	1.00	7.00	9.23	8.75	4.250	8.50	3.690	1.00	7.00	3004				
UL440	COUPLED	58.38	45.23	30.50	35.00	9.23	8.75	4.250	8.50	3.690	1.00	7.00	9.23	8.75	4.250	8.50	3.690	1.00	7.00	3307				
UL440	BELTED	58.38	45.23	30.50	35.00	9.23	8.75	4.500	8.50	3.944	1.00	7.00	9.23	8.75	4.250	8.50	3.690	1.00	7.00	3307				
UL4451	COUPLED	61.13	47.98	33.25	37.75	9.23	8.75	4.250	8.50	3.690	1.00	7.00	9.23	8.75	4.250	8.50	3.690	1.00	7.00	3612				
UL4451	BELTED	61.13	47.98	33.25	37.75	9.23	8.75	4.500	8.50	3.944	1.00	7.00	9.23	8.75	4.250	8.50	3.690	1.00	7.00	3612				
UL4461	COUPLED	63.63	50.48	35.75	40.25	9.23	8.75	4.250	8.50	3.690	1.00	7.00	9.23	8.75	4.250	8.50	3.690	1.00	7.00	3869				
UL4461	BELTED	63.63	50.48	35.75	40.25	9.23	8.75	4.500	8.50	3.944	1.00	7.00	9.23	8.75	4.250	8.50	3.690	1.00	7.00	3869				
UL4473	COUPLED	66.63	53.48	38.75	43.25	9.23	8.75	4.250	8.50	3.690	1.00	7.00	9.23	8.75	4.250	8.50	3.690	1.00	7.00	4220				
UL4473	BELTED	66.63	53.48	38.75	43.25	9.23	8.75	4.500	8.50	3.944	1.00	7.00	9.23	8.75	4.250	8.50	3.690	1.00	7.00	4220				

TERMINAL BOX CAN BE ROTATED FOR LEAD OUTLET AT TOP, SIDE OR BOTTOM. TERMINAL BOX LOCATED ON OPPOSITE SIDE WHEN F-2, V-1, Y-4, W-5, N-7, OR C-1 MOUNTING IS SPECIFIED. BOX LOCATED ON TOP WHEN SPECIFIED. BLOWER ASSEMBLY CAN BE LOCATED AT POSITIONS 1, 2, OR 4, EXCEPT BLOWER ASSEMBLY AND TERMINAL BOX CAN NOT BE LOCATED AT THE SAME POSITION. MOTOR WEIGHT MAY VARY 15% FOR NON-STANDARD RATINGS AND/OR ACCESSORIES. IF MOUNTING CLEARANCE DETAILS ARE REQUIRED, CONSULT FACTORY.

(1) \*P DIMENSION WILL NOT BE ENGAGED. SHIMS UP TO .06 INCHES IN THICKNESS ARE VARIES REQUIRED FOR COUPLED OR GEARED MACHINES.  
(2) \*P VARIES-----+ .000 - .015  
(3) \*R VARIES-----+ .000 - .015  
(4) REMOVABLE COVER PLATE FOR CUSTOMER DRILLING.

TERMINAL BOX CAN BE POSITIONED FOR EITHER TOP OR BOTTOM CONDUIT ENTRY.

CUSTOMER IS RESPONSIBLE FOR DETERMINING THAT BALDOR'S PRODUCT WILL PERFORM SUITABLY IN THE INTENDED APPLICATION.

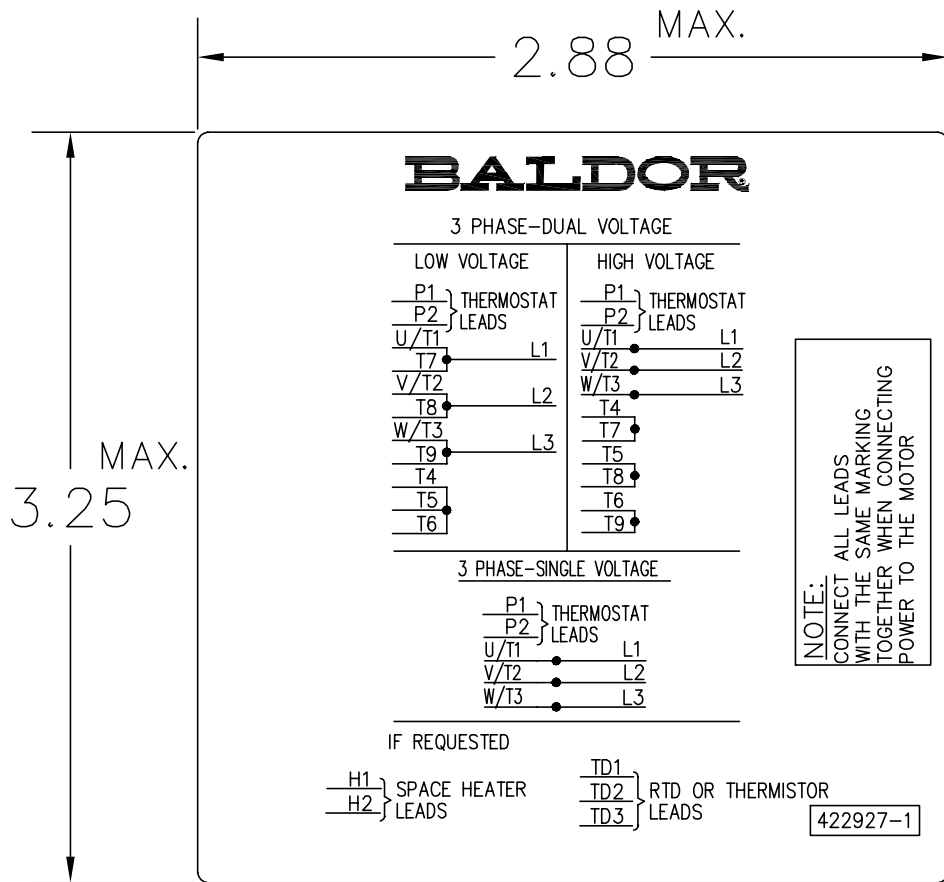
REV. DESC: ADD L4473 AND UL4473	TDR: 000000521619
REV. LTR: B	VERSION: 02
FILE: \RGG\00005\298	REVISED: 04:05:09 12/11/2009
MTL: -	BY: MGHBM10

**Baldor • Dodge • Reliance**

DIM SHEET L440 DPFV W/ TACH PROVISIONS

SH 1 of 1

422927-001



NOTE:  
DATA TO BE SIZED  
SO THAT IT FITS INTO  
MATERIAL DECAL  
DIMENSIONS. MAKE  
LETTERS & NUMBERS  
AS LARGE AS POSSIBLE.

MATERIAL: CERAMATIC DGF-P4  
PERMA GRIP ADHESIVE

ALL LETTERS, NUMBERS  
AND LINES TO BE BLACK  
ON WHITE BACKGROUND.

422927-001

REV. DESC: CHANGE BACKGROUND COLOR FROM GOLD TO WHITE		
REV. LTR: B	VERSION: 02	TDR: 000000788708
FILE: \RGG\00000\203	REVISED: 08:09:29 03/04/2013	
MTL: -	BY: RGGWT	

**BALDOR**

EXTERNAL CONNECTION LABEL

SH 1 of 1

Marketing maintained PDF of MN406:

<http://www.baldor.com/support/Literature/Load.ashx/MN406?ManNumber=MN406>