

BALDOR® • *RELIANCE*

Product Information Packet

KL1205A

.33HP,3450RPM,1PH,60HZ,56C,3413L,OPEN,F1

Part Detail							
Revision:	Z	Status:	PRD/A	Change #:		Proprietary:	No
Type:	AC	Prod. Type:	3413L	Elec. Spec:	34WG0649	CD Diagram:	CD0008
Enclosure:	OPEN	Mfg Plant:		Mech. Spec:	34-239	Layout:	34LY0239
Frame:	56C	Mounting:	F1	Poles:	02	Created Date:	
Base:	N	Rotation:	R	Insulation:	B	Eff. Date:	03-10-2016
Leads:	7#18					Replaced By:	
Literature:		Elec. Diagram:					

Nameplate NP1257L	
CAT.NO.	KL1205A
SPEC.	34-239-649
HP	.33
VOLTS	115/230
AMP	6/3
RPM	3450
FRAME	56C
HZ	60
PH	1
SER.F.	1.35
CODE	K
DES	N
CL	B
NEMA-NOM-EFF	55
PF	68
RATING	40C AMB-CONT
CC	USABLE AT 208V 3.5
DE	6203
ODE	6203
ENCL	OPEN
SN	
	SFA 7/3.5

Parts List		
Part Number	Description	Quantity
SA008747	SA 34-239-649	1.000 EA
RA005194	RA 34-239-649	1.000 EA
NS2512A01	INSULATOR, CONDUIT BOX X	1.000 EA
34CB3002A	CB CAST W/.88 DIA HOLE	1.000 EA
51XB1016A07	10-16 X 7/16 HXWSSLD SERTYB	2.000 EA
11XW1032G06	10-32 X .38, TAPTITE II, HEX WSHR SLTD U	1.000 EA
51XW0832A07	8-32 X .44, TAPTITE II, HEX WSHR SLTD SE	2.000 EA
34EP3200A03SP	FR ENDPLATE, MACH	1.000 EA
SP1006A01	TERM. BOARD, MODE 35 SW X H-23655	1.000 EA
NS2500A01	INSULATOR, AUTO THER PROT	1.000 EA
34CB4800SP	CAPACITOR COVER, STAMPED PRIMED	1.000 EA
51XB1016A05	10-16X5/16HX WA SL SR TYB (F/S)	2.000 EA
HW5100A03SP	WAVY WASHER (W1543-017)	1.000 EA
34EP3400A05	PU ENDPLATE, MACH	1.000 EA
51XN1032A20	10-32 X 1 1/4 HX WS SL SR	2.000 EA
34AD2000	BAFFLE PLATE, STAMPED	1.000 EA
51XT0632A06	6-32X3/8 TY23 HXWS SLDSR	4.000 EA
34FH4000A11	DRIP COVER, STAMPED,PRIMER	1.000 EA
51XW1032A06	10-32 X .38, TAPTITE II, HEX WSHR SLTD S	3.000 EA
34CB4517	CB LID 4 MTG HOLES .22 DIA STAMPED, FOR	1.000 EA
51XW0832A07	8-32 X .44, TAPTITE II, HEX WSHR SLTD SE	4.000 EA
HW2501D13	KEY, 3/16 SQ X 1.375	1.000 EA
HA7000A04	KEY RETAINER 0.625 DIA SHAFTS	1.000 EA
MG1000G27	MED CHARCOAL METALLIC GREY 400-0096	0.014 GA

Parts List (continued)		
Part Number	Description	Quantity
10XF0440S02	04-40 X 1/8 TYPE F HEX HD STAINLESS STIC	2.000 EA
SP5051B16	MDL 34 TORQ STAT SW,TYPE L , STD F1 & F2	1.000 EA
EC1189A02SP	61B2D120189NNBA ELEC CAP, 189-227MFD, 12	1.000 EA
HA3100A12	THRUBOLT 10-32 X 7.375	4.000 EA
LB1118	LABEL,WARNING (ROLL LABEL)	1.000 EA
LC0008	CONNECTION LABEL	1.000 EA
NP1257L	ALUM UL CSA CC THERMAL REV MTG	1.000 EA
34PA1002	PKG GRP, PRINT PK1001A01	1.000 EA
PK3083T	STYROFOAM PACKING CRADLE W/TAPE	1.000 EA

AC Induction Motor Performance Data
Record # 6592 - Typical performance - not guaranteed values

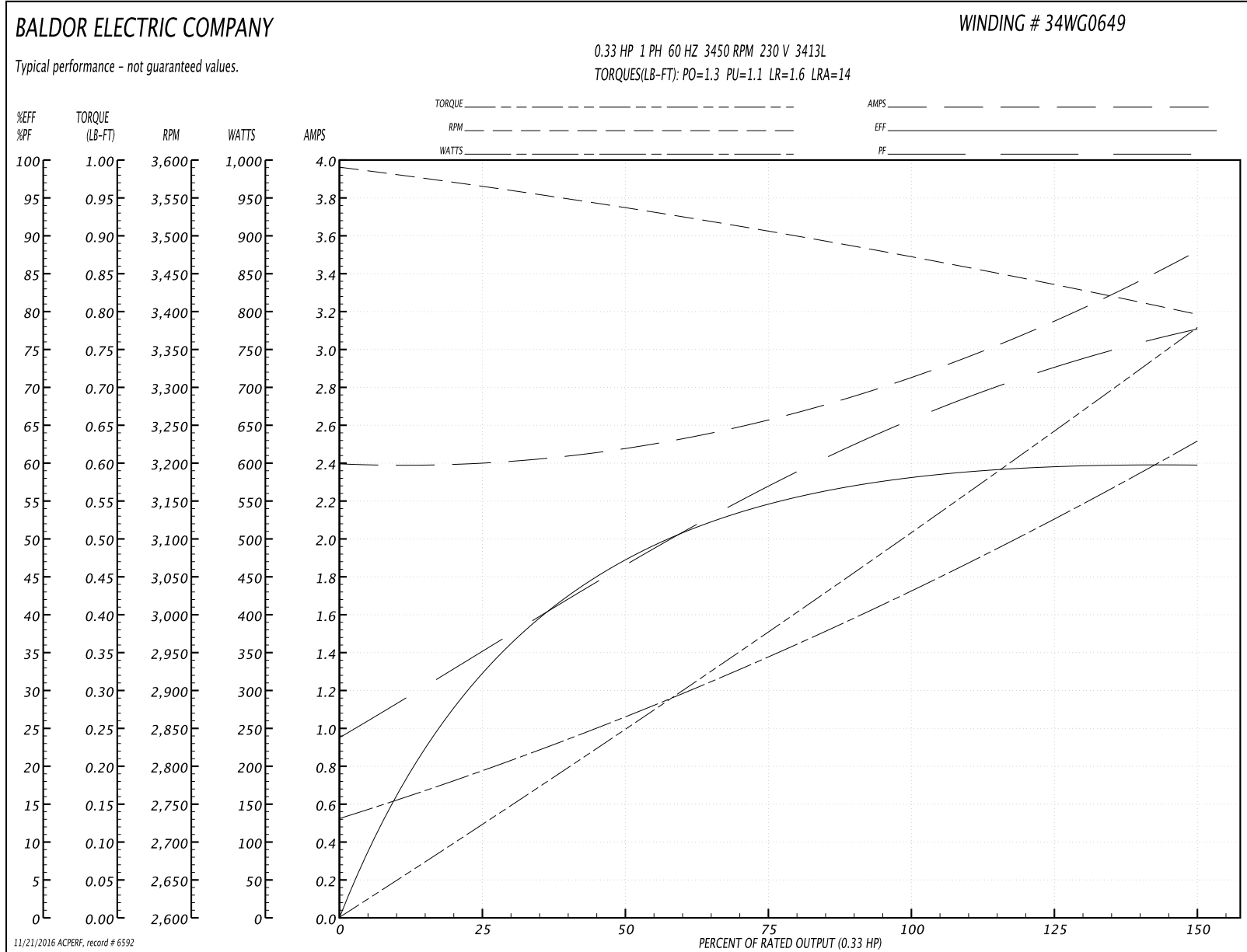
Winding: 34WG0649-R001	Type: 3413L	Enclosure: OPEN
-------------------------------	--------------------	------------------------

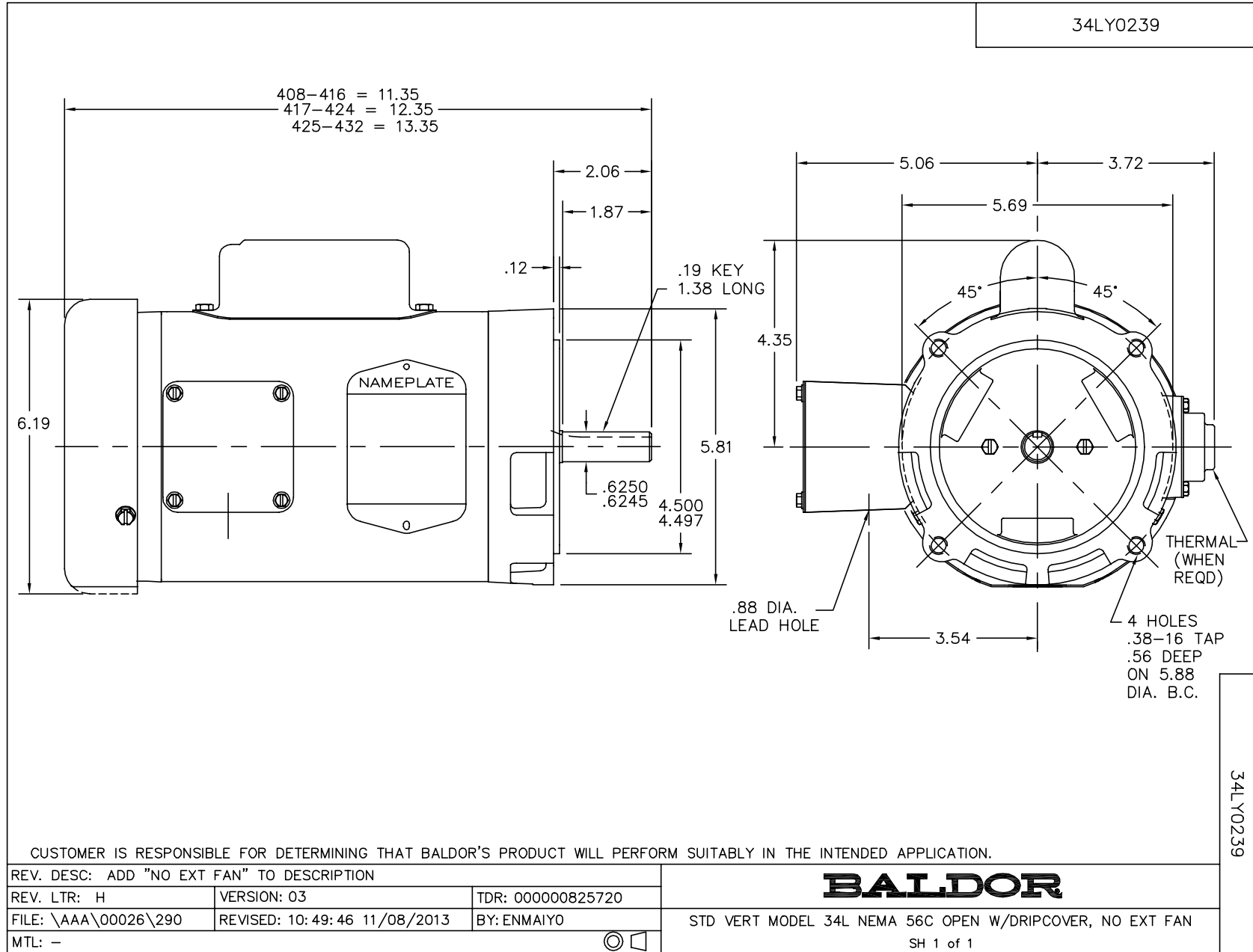
Nameplate Data				230 V, 60 Hz: High Voltage Connection	
Rated Output (HP)	.33			Full Load Torque	0.52 LB-FT
Volts	115/230			Start Configuration	direct on line
Full Load Amps	6/3			Breakdown Torque	1.3 LB-FT
R.P.M.	3450			Pull-up Torque	1.1 LB-FT
Hz	60	Phase	1	Locked-rotor Torque	1.6 LB-FT
NEMA Design Code	N	KVA Code	K	Starting Current	14 A
Service Factor (S.F.)	1.35			No-load Current	2.4 A
NEMA Nom. Eff.	55	Power Factor	68	Line-line Res. @ 25°C	7.12 Ω A Ph 5.47 Ω B Ph
Rating - Duty	40C AMB-CONT			Temp. Rise @ Rated Load	31°C
S.F. Amps	7/3.5			Temp. Rise @ S.F. Load	42°C

Load Characteristics 230 V, 60 Hz, 0.33 HP

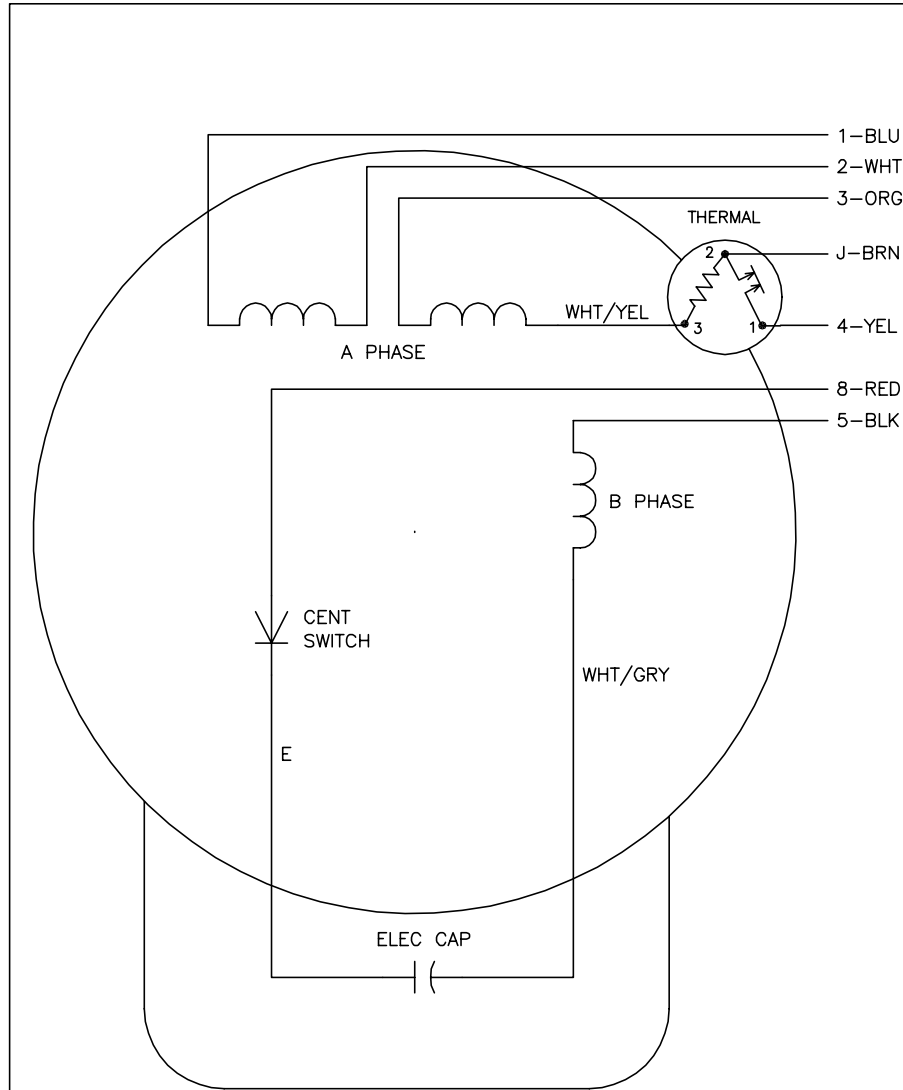
% of Rated Load	25	50	75	100	125	150	S.F.
Power Factor	39	47	56	66	70	75	72
Efficiency	36.3	46.9	53.8	58.8	59.8	59.7	60.2
Speed	3556	3535	3508	3465	3439	3393	3429
Line amperes	2.4	2.5	2.6	2.9	3.2	3.5	3.4

Performance Graph at 230V, 60Hz, 0.33HP Typical performance - Not guaranteed values





CD0008



	LINE A	LINE B	JOIN	JOIN
HIGH STD	1	4	2,3,8	J,5
HIGH OPP	1	4	2,3,5	J,8
LOW STD	1,3,8	4	-	2,J,5
LOW OPP	1,3,5	4	-	2,J,8

NOTES:

1. STANDARD ROTATION IS CCW FACING END OPPOSITE SHAFT EXTENSION.
2. MULTIPLE CAPACITORS ARE CONNECTED IN PARALLEL UNLESS OTHERWISE SPECIFIED.
3. LEAD COLORS ARE OPTIONAL. LEADS MUST ALWAYS BE NUMBERED AS SHOWN.

REV. DESC: REMOVE 2-TERMINAL THERMAL DETAIL, SEE CD0008A02		
REV. LTR: F	VERSION: 01	TDR: 000000360649
80000	FILE: \AAA\00007\408	REVISED: 10:56:54 04/18/2005
	MTL: -	BY: ENJOEPO

BALDOR ELECTRIC Co.

TYPE L, DV, REV, THERMAL, 7 LEADS

CD0008