

BALDOR® • RELIANCE

Product Information Packet

SUM70506

5HP, 1150RPM, 3PH, 60HZ, 180TY, TENV, FOOTLES

Part Detail							
Revision:	-	Status:	PRD/A	Change #:		Proprietary:	No
Type:	AC	Prod. Type:		Elec. Spec:	E02788-A-A011	CD Diagram:	416820-1
Enclosure:	TENV	Mfg Plant:		Mech. Spec:		Layout:	066930-017
Frame:	180TY	Mounting:	V1	Poles:	06	Created Date:	04-09-2015
Base:		Rotation:	R	Insulation:	F	Eff. Date:	04-13-2015
Leads:						Replaced By:	
Literature:		Elec. Diagram:					

Nameplate 000613007AC		
CLASS I GROUP	C D X	NO. <input type="text"/>
CLASS II GROUP	X X X	
OPERATING TEMP CODE	T3C	

Nameplate 000613007MN										
CAT NO.	SUM70506	SPEC NO.	P18G2709							
HP	5	AMPS	16.0/8.00		VOLTS	230/ 460		DESIGN	B	
FRAME SIZE	X0180TY	RPM	1150		HZ	60	AMB	40	SF	1.15
D.E. BRG.	50BC02JPP30A		PH	3	DUTY	*		INSUL	F	
O.D.E. BRG.	25BC02JPG30A		TYPE	P	ENCL	TENV		CODE	G	
			POWER FACTOR		NEMA-NOM-EFF					
			MAX CORR KVAR		GUARANTEED EFFICIENCY					
					NEMA NOM/CSA QUOTED EFF @	100% LOAD				
SER.NO.					MOTOR WEIGHT	270	LBS.			
	; FINAL CONN AT 230V; *15 MIN									
	IN AIR ;SUB.IN WATER/SEWAGE									
	ONLY SEE MANUAL FOR MAXDEPTH									

Nameplate 000613007MR										
CAT NO	SUM70506	SPEC NO.	P18G2709							
HP	5	AMPS	16.0/8.00		VOLTS	230/ 460		DESIGN	B	
FRAME SIZE	X0180TY	RPM	1150		HZ	60	AMB	40	SF	1.15
D.E. BRG.	50BC02JPP30A		PH	3	DUTY	*		INSUL	F	
O.D.E. BRG.	25BC02JPG30A		TYPE	P	ENCL	TENV		CODE	G	
			POWER FACTOR			NEMA-NOM-EFF				
			MAX CORR KVAR			GUARANTEED EFFICIENCY				
					NEMA NOM/CSA QUOTED EFF @	100% LOAD				
SER.NO.			MOTOR WEIGHT	270		LBS.				
	; FINAL CONN AT 230V; *15 MIN									
	IN AIR ;SUB.IN WATER/SEWAGE									
	ONLY SEE MANUAL FOR MAXDEPTH									

Parts List		
Part Number	Description	Quantity
SA297474	SA P18G2709	1.000 EA
RA284443	RA P18G2709	1.000 EA
000613007AC	UL NAMEPLATE FOR HAZARDOUS LOCATIONS	1.000 EA
000613007MN	NP,MEDIUM AC,NO CERT,STD INDUSTRIAL	1.000 EA
000613007MR	NP, MEDIUM AC, CSA, STD INDUSTRIAL	1.000 EA
000692000EJ	NAME PLATE	1.000 EA
000901001AA	LABEL WARNING	1.000 EA
001575000A	WIRING DIAGRAM	1.000 EA
424476003WB	WIRING DIAGRAM MEDIUMA	1.000 EA
034692002AE	HCSPP 1/4" 304 S.S.	1.000 EA
004824015A	GREASE POLYREX EM	0.100 LB
032018010CG	HHCS 3/8-16X1-1/4L 316SS	4.000 EA
032130008CC	HSACS 3/8-16 X 1.00" L	4.000 EA
032620020JD	HSSS 10-24X5/8L 304S.S.	1.000 EA
034692003AE	PPLG 3/8" 304 S.S.	2.000 EA
047174005B	SNAP RING	1.000 EA
047174005C	SNAP RING	1.000 EA
064262012B	SEAL	1.000 EA
064262012C	SEAL	1.000 EA
088204001AA	BRKT,DE,180SUB 88204-1WA	1.000 EA
088205001AA	SUB PLT 180 88205-1WC	1.000 EA
413412004A	SUBM MOISTURE PROBE	2.000 EA
413412005R	LEAD WIRE ASSY(BLANKET	1.000 EA
413480001R	RESISTOR ASSEMBLY-BLANKET	1.000 EA

Parts List (continued)		
Part Number	Description	Quantity
421900124FU	ORING	1.000 EA
421900124FU	ORING	1.000 EA
603760001AA	LABYRINTH	1.000 EA
032018006BM	HHCS 5/16-18X3/4 PLTGRN.	1.000 EA
032018008BG	HHCS 5/16-18X1 BRASS-447	4.000 EA
421900072FU	ORING	1.000 EA
700385014G	CAP AND CABLE ASSY 25FT	1.000 EA
004824007K	SPECIAL PAINT	0.100 EA
033775004EA	DRSCR #6-1/4 304 S.S.	4.000 EA
034180009DD	KEY 1/4X1/4X1-1/8L	1.000 EA
088203001AB	BRKT,ODE,180SUB 88203-1WB	1.000 EA
421900124FU	ORING	1.000 EA
004824018AF	SHELL ROTELLA OIL 10W	1.500 LB
032018006AG	HHCS 1/4-20X3/4L 316 SS	3.000 EA
032018010CG	HHCS 3/8-16X1-1/4L 316SS	4.000 EA
000901001AA	LABEL WARNING	1.000 EA
B3630-9	SUBM THERMOSTAT TAG	1.000 EA
B-3664002	TAG, (NON REGREASABLE)	1.000 EA

REL. S.O.	FRAME	HP	TYPE	PHASE/HERTZ	RPM	VOLTS
	180TY	5	P	3/60	1150	230/460
AMPS	DUTY	AMB °C/ INSUL.	S.F.	NEMA DESIGN	CODE LETTER	ENCL.
16.0/8.0	CONT	40/F	1.15	B	G	TENV
E/S	ROTOR	TEST S.O.	TEST DATE	STATOR RES @25 °C (OHMS BETWEEN LINES)		
536592	418424-33HE	---	---	.767/3.07		

PERFORMANCE


LOAD	HP	AMPERES	RPM	INPUT KW	POWER FACTOR	% EFFICIENCY
NO LOAD	0	4.2	1200	.431	12.8	0
1/4	1.25	4.6	1188	1.39	37.5	67.3
2/4	2.50	5.4	1177	2.40	55.4	77.9
3/4	3.75	6.6	1165	3.47	66.0	80.7
4/4	5.00	8.0	1151	4.61	72.0	80.9
5/4	6.25	9.7	1134	5.85	75.6	79.6

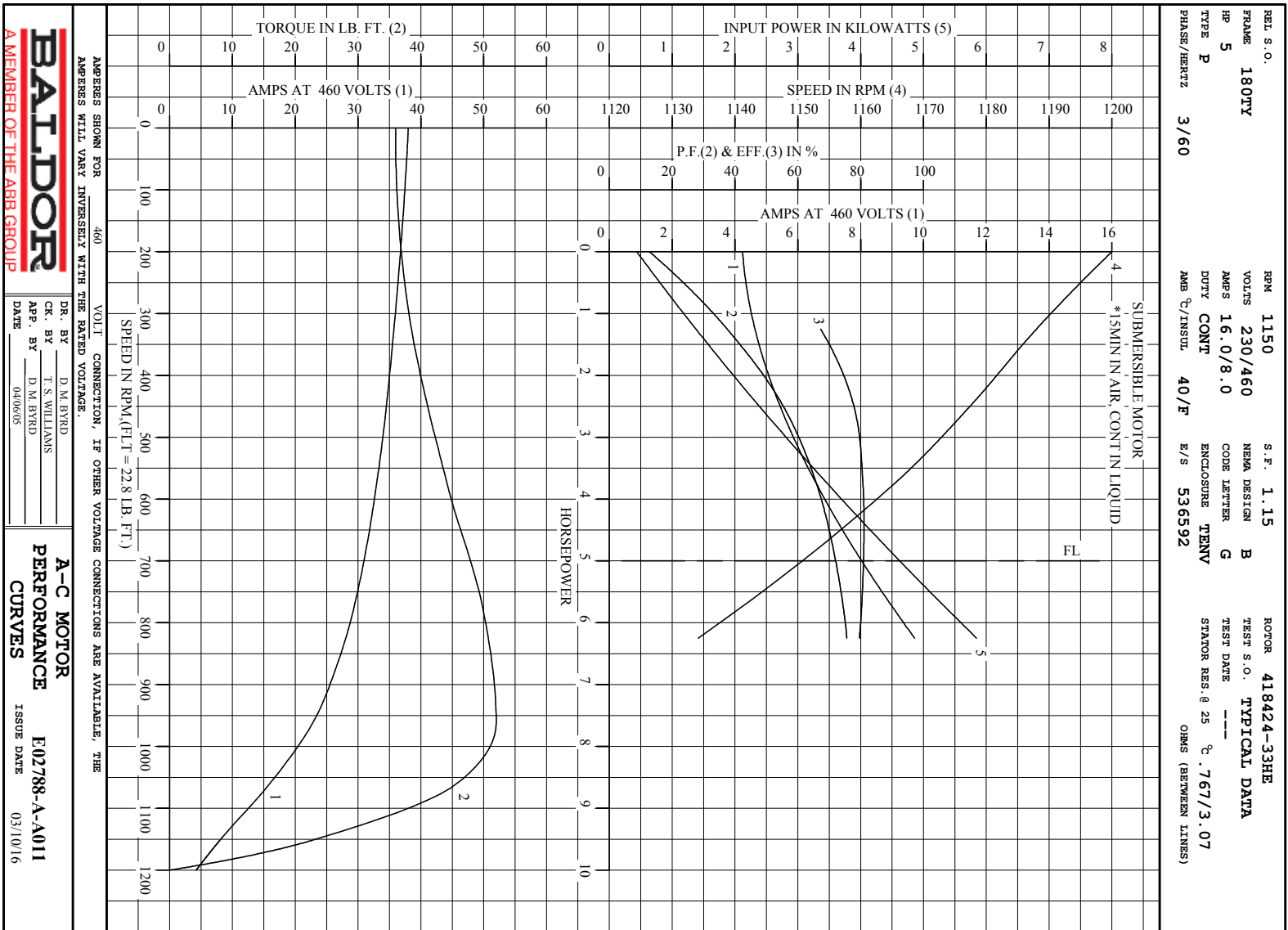
SPEED TORQUE

	RPM	TORQUE % FULL LOAD	TORQUE LB.-FT.	AMPERES
LOCKED ROTOR	0	158	36.0	38.0
PULL UP	0	158	36.0	38.0
BREAKDOWN	963	228	52.0	22.7
FULL LOAD	1151	100	22.8	8.0

AMPERES SHOWN FOR 460. VOLT CONNECTION. IF OTHER VOLTAGE CONNECTIONS ARE AVAILABLE, THE AMPERES WILL VARY INVERSELY WITH THE RATED VOLTAGE

REMARKS: TYPICAL DATA
SUBMERSIBLE MOTOR
*15MIN IN AIR, CONT IN LIQUID

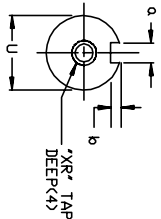
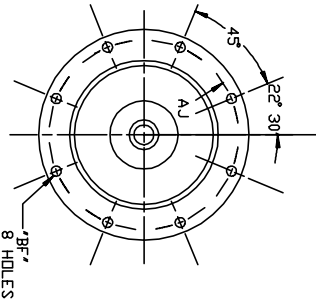
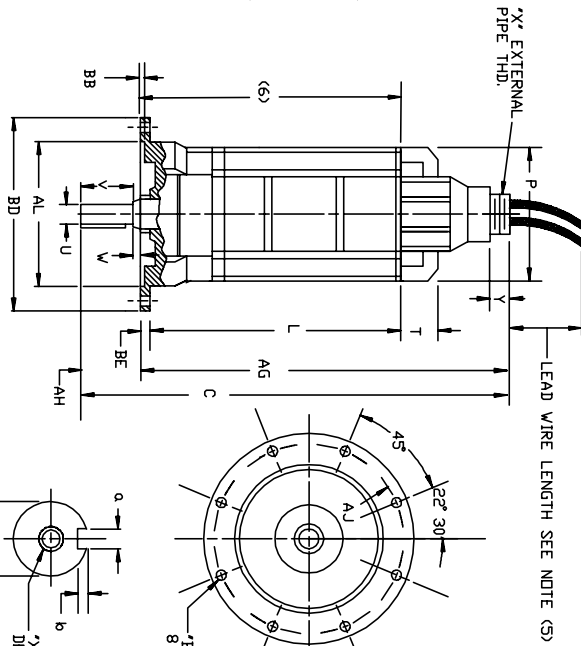
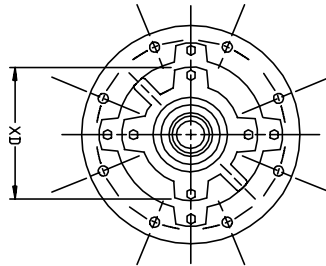
 <p>A MEMBER OF THE ABB GROUP</p>	DR. BY <u>D. M. BYRD</u> CK. BY <u>T. S. WILLIAMS</u>	A-C MOTOR PERFORMANCE DATA E02788-A-A011 ISSUE DATE 03/10/16
	APP. BY <u>D. M. BYRD</u> DATE <u>04/06/05</u>	



066930-017

DUTY MASTER ALTERNATING CURRENT MOTORS
 SQUIREL-CAGE INDUCTION
 ENCLOSURE: TOTALLY ENCLOSED
 SUBMERSIBLE
 FRAME 140TY THRU 180TY

066930-017



DIMENSIONS ARE IN INCHES SEE SHEET 2 FOR MILLIMETERS

FRAME	C	L	P	T	U(3)	V	W	AG	AH	AJ	AL(7)
140TY	25.44	15.38	8.00	2.25	8.750	1.25	.31	23.88	1.59	10.00	9.125
180TY	26.66	16.56	9.62	2.25	12500	2.00	.28	24.38	2.28	11.50	10.625

FRAME	BD(2)	BE	BF	XR(4)	LEAD CONNECTION			B.E. KEYWAY		LENGTH	WEIGHT	
					X	Y	XD	a	b			
140TY	11.062	.75	.44	3/8-16	2-1/2-8	1.25	5.50	.12	.187	.09	1.25	1.60
180TY	12.375	.75	.56	1/2-13	2-1/2-8	1.25	6.75	.12	.250	.12	1.12	2.00

- (1) SPECIAL DIMENSIONS ON THIS LINE.
 - (2) *BD* VARIES ± .010
 - (3) *U* VARIES +.0000, -.0005.
 - (4) TAP DEPTH DN 140TY IS .89 180TY IS 1.38
 - (5) LEAD WIRE LENGTH AS SPECIFIED ON CERTIFICATION
 - (6) MINIMUM SUBMERGED DEPTH
 - (7) *AL* VARIES +.004, -.000.
- FACE ROUNDT AND ECCENTRICITY .008 MAX. T.I.R.
 PROTECTIVE CONDUIT FURNISHED BY CUSTOMER.

CUSTOMER IS RESPONSIBLE FOR DETERMINING THAT BALDOR'S PRODUCT WILL PERFORM SUITABLY IN THE INTENDED APPLICATION.

REV. DESC: CHANGE L DIM FROM 16.50 TO 16.56 (SH1)	VERSION: 01	TDR: 000000837009
REV. LTR: A	REVISED: 09:10:21 01/30/2014	BY: RGGWT
FILE: \RGG\00016\668		
MTL: -		

BALDOR

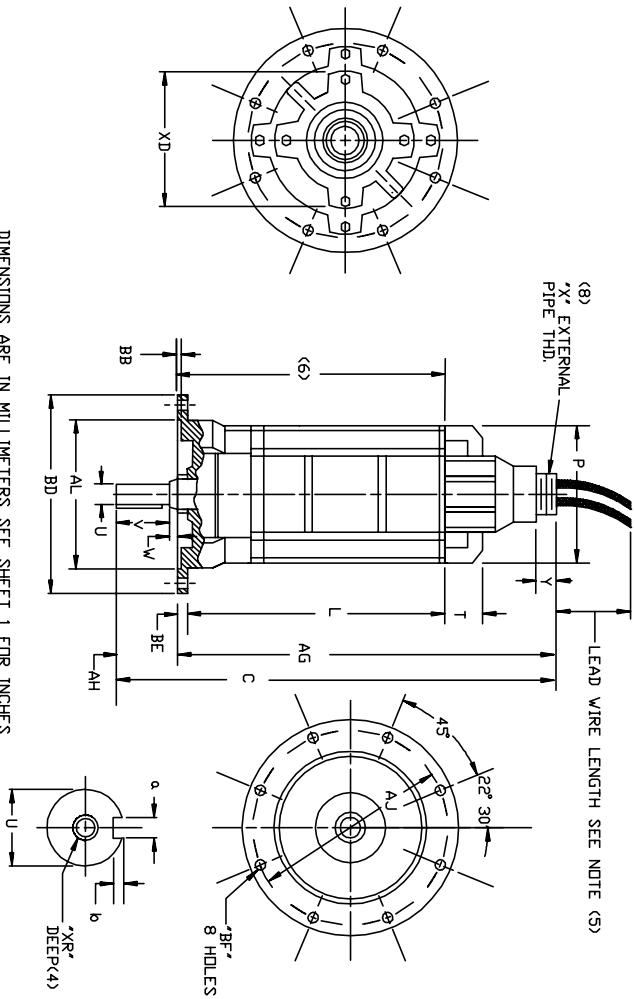
DIM SHT 140TY THRU 180TY

SH 1 of 2

066930-017

DUTY MASTER ALTERNATING CURRENT MOTORS
 SQUARE-LEAD INDUCTION
 ENCLOSURE: TOTALLY ENCLOSED
 SUBVERSIBLE
 FRAME 140TY THRU 180TY

066930-017



DIMENSIONS ARE IN MILLIMETERS SEE SHEET 1 FOR INCHES

FRAME	C	L	P	T	U(3)	V	W	AG	AH	AJ	AL(7)
140TY	646.2	390.7	203.2	57.1	22.25	31.7	7.9	60.6	40.4	25.40	231.77
180TY	677.2	419.1	244.3	57.1	31.750	50.8	7.1	61.93	57.9	29.21	269.88

FRAME	BU(2)	BE	BF	XR(4)	Y(8)	Y	XD	BB	a	b	WEIGHT
140TY	280.97	19.0	11.2	3/8-16	2-1/2-8	31.7	139.7	3.0	4.75	2.3	72.7
180TY	314.32	19.0	14.2	1/2-13	2-1/2-8	31.7	171.5	3.0	6.35	3.0	90.9

(1) SPECIAL DIMENSIONS ON THIS LINE.

(2) 'BD' VARIES ± .25

(3) 'U' VARIES +.000 - .013

(4) TAP DEPTH DN 140TY IS 22.3 MM; 180TY IS 35 MM.

(5) LEAD WIRE LENGTH AS SPECIFIED ON CERTIFICATION

(6) MINIMUM SUBMERGED DEPTH.

(7) 'AL' VARIES +.10, -.000.

(8) THREAD DIMENSIONS IN INCHES
 FACE ROUNDT AND ECCENTRICITY .20 MAX. T.I.R.
 PROTECTIVE CONDUIT FURNISHED BY CUSTOMER

CUSTOMER IS RESPONSIBLE FOR DETERMINING THAT BALDOR'S PRODUCT WILL PERFORM SUITABLY IN THE INTENDED APPLICATION.

REV. DESC: CHANGE L DIM FROM 16.50 TO 16.56 (SH1)			<p>BALDOR DIM SHT 140TY THRU 180TY SH 2 of 2</p>
REV. LTR: A	VERSION: 01	TDR: 000000837009	
FILE: \RGG\00016\668	REVISED: 09:10:21 01/30/2014	BY: RGGWT	
MTL: -			