

BALDOR® • **RELIANCE**

Product Information Packet

VL5027

2HP,1725RPM,1PH,60HZ,184C,X3634L,XPFC,F1

Part Detail							
Revision:	AP	Status:	PRD/A	Change #:		Proprietary:	No
Type:	AC	Prod. Type:	3634L	Elec. Spec:	36WG0203	CD Diagram:	CD0001
Enclosure:	XPFC	Mfg Plant:		Mech. Spec:	36N013	Layout:	36LYN013
Frame:	184C	Mounting:	F1	Poles:	04	Created Date:	
Base:	N	Rotation:	R	Insulation:	B	Eff. Date:	04-13-2016
Leads:	4#14 A PH,2#16 B PH					Replaced By:	
Literature:		Elec. Diagram:					

Nameplate NP0015XPSL	
NO.	<input type="text"/>
SER.	<input type="text"/>
SPEC.	36N13-203
CAT.NO.	VL5027
HP	2
VOLTS	115/208-230
AMPS	22/11.6-11
RPM	1725
HZ	60
SER.F.	1.00
RATING	40C AMB-CONT
FRAME	184C
USABLE AT 208V	11.6
BLANK	<input type="text"/>

CC	<input type="text"/>
T. CODE	T2C
PH	1
CL	B
DES	L
CODE	H
NEMA-NOM-EFF	75
PF	81

Parts List		
Part Number	Description	Quantity
SA037378	SA 36N13-203	1.000 EA
RA033403	RA 36N13-203	1.000 EA
EC1400A03SP	ELEC CAP, 400-480 MFD, 125V, 1.81D X 3.	1.000 EA
EC1460A03	ELEC CAP 115V 1.8 X 3.3 CK - WESTVILLE	1.000 EA
35CB3001A02SP	EXPL PROOF CONDUIT BOX, 3/4"PIPE TAP LEA	1.000 EA
11XW1032G06	10-32 X .38, TAPTITE II, HEX WSHR SLTD U	1.000 EA
HW3001B01	BRASS CUP WASHER, FOR #8 SCREW	1.000 EA
36EP3700A02	FR ENDPLATE, MACH	1.000 EA
51XW0832A07	8-32 X .44, TAPTITE II, HEX WSHR SLTD SE	2.000 EA
HW5100A05	WVY WSHR F/205 & 304 BRGS	1.000 EA
36EP1704A02	PU ENDPLATE, MACH	1.000 EA
51XN1032A20	10-32 X 1 1/4 HX WS SL SR	2.000 EA
HW4001A01	1/4 HX SOC PIPE PLG (F/S) ALLOY STEEL W/	2.000 EA
60XN1032A07	10-32 X 1/2 TRUSS HEAD, TORX SERRATED ZN	2.000 EA
XY3816A12	3/8-16 FINISHED NUT	4.000 EA
36FH4009A02	FAN COVER FOR VM7042T,PRIMER	1.000 EA
51XW1032A06	10-32 X .38, TAPTITE II, HEX WSHR SLTD S	3.000 EA
35CB3500A01SP	CONDUIT BOX LID, MACH	1.000 EA
51XN2520A16	SCREW, HEX WS SLT, ZN, 1/4-20 X 1.00	4.000 EA
HW2501D13	KEY, 3/16 SQ X 1.375	1.000 EA
HA7000A01	KEY RETAINER 7/8" DIA SHAFT	1.000 EA
85XU0407S04	4X1/4 U DRIVE PIN STAINLESS	6.000 EA
NP0018F	ALUM UL XP CONDUIT BOX NAMEPLATE	1.000 EA
HA6003A52	CLAMP, CAPACITOR, WHITE ZINC PLATED	2.000 EA

Parts List (continued)		
Part Number	Description	Quantity
13XT0832A07	8-32X7/16 TYP 23 PAN HD SLT DX	2.000 EA
MJ1000A02	GREASE, POLYREX EM EXXON (USe 4824-15A)	0.050 LB
36FN3000A01SP	EXFN, PLASTIC, 7.00 OD, .912 ID	1.000 EA
51XB1214A16	12-14X1.00 HXWSSLD SERTYB	1.000 EA
MG1025G29	WILKOFASST, 789.229, DARK CHARCOAL GRAY	0.022 GA
HA3105A09	THRUBOLT 3/8-16 X 12.000	4.000 EA
SP5172A39	37 TYPE L TORQ STAT SWITCH LEAD ASSEMBLY	1.000 EA
LB1119N	WARNING LABEL	1.000 EA
LC0081	CONNECTION LABEL X	1.000 EA
NP0015XPSL	SS XP UL CSA CC CL-I GP-D	1.000 EA
36PA1001	PKG GRP, PRINT PK1017A06	1.000 EA
PK3082	STYROFOAM CRADLE	1.000 EA
MN416A01	TAG-INSTAL-MAINT no wire (1200/bx) 11/14	1.000 EA

AC Induction Motor Performance Data

Record # 20851 - Typical performance - not guaranteed values

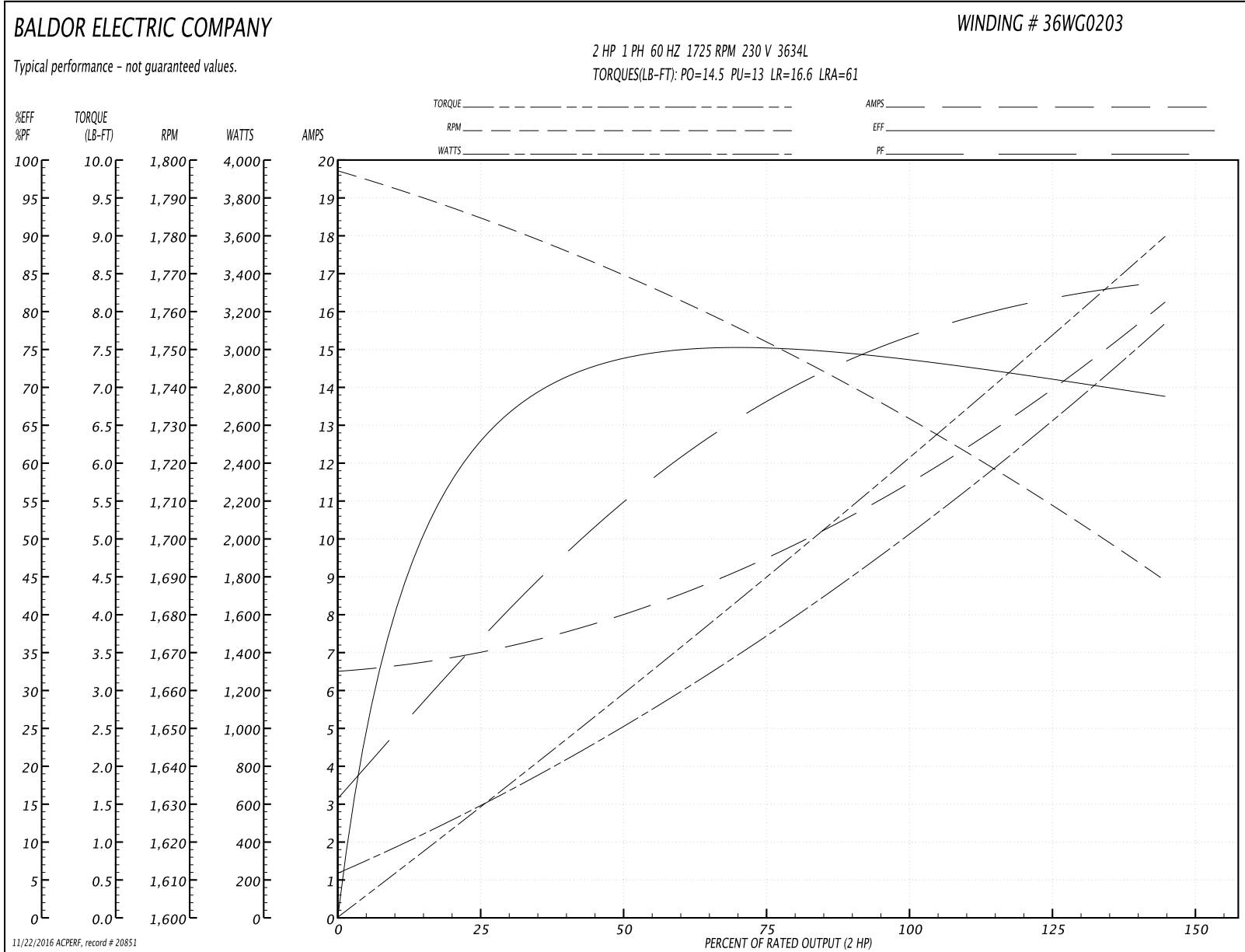
Winding: 36WG0203-R003	Type: 3634L	Enclosure: XPFC
-------------------------------	--------------------	------------------------

Nameplate Data				230 V, 60 Hz: High Voltage Connection	
Rated Output (HP)	2			Full Load Torque	6 LB-FT
Volts	115/208-230			Start Configuration	direct on line
Full Load Amps	22/11.6-11			Breakdown Torque	14.5 LB-FT
R.P.M.	1725			Pull-up Torque	13 LB-FT
Hz	60	Phase	1	Locked-rotor Torque	16.6 LB-FT
NEMA Design Code	L	KVA Code	H	Starting Current	61 A
Service Factor (S.F.)	1			No-load Current	6.5 A
NEMA Nom. Eff.	75	Power Factor	81	Line-line Res. @ 25°C	0.244 Ω A Ph 0.632 Ω B Ph
Rating - Duty	40C AMB-CONT			Temp. Rise @ Rated Load	78°C

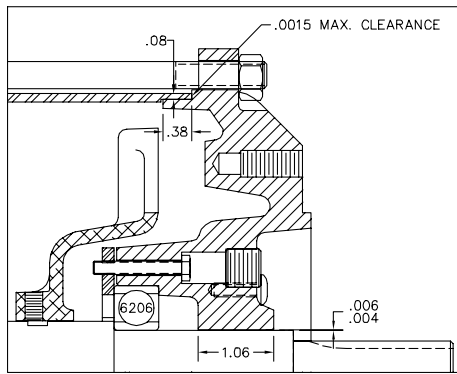
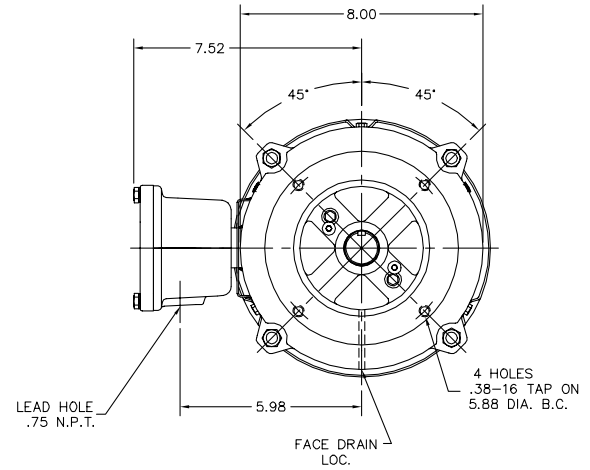
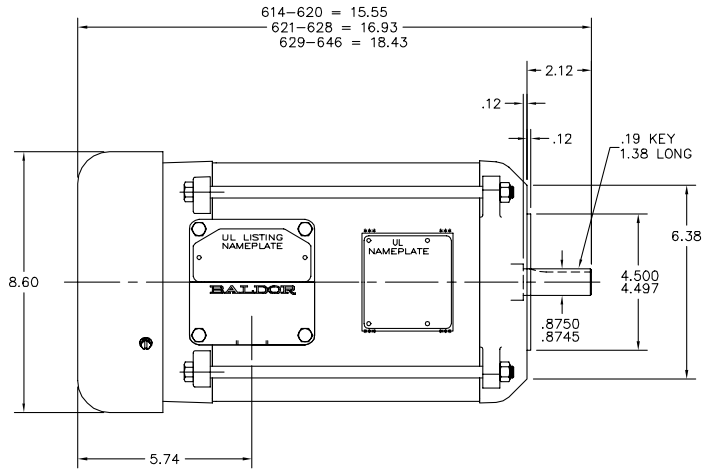
Load Characteristics 230 V, 60 Hz, 2 HP

% of Rated Load	25	50	75	100	125	150	S.F.
Power Factor	40	58	69	76	80	81	78
Efficiency	63.1	72.3	74.3	75	72	68.3	73.2
Speed	1783	1769	1753	1733	1711	1689	1720
Line amperes	7	8.05	9.7	11	13.9	16.2	12.74

Performance Graph at 230V, 60Hz, 2.0HP Typical performance - Not guaranteed values



36LYN013



PULLEY END DETAIL

CUSTOMER IS RESPONSIBLE FOR DETERMINING THAT MOTOR PERFORMANCE IS SUITABLE IN THE APPLICATION.

REV. DESC: CHANGED STACKING		
REV. LTR: J	VERSION: 01	TDR: 000000430847
FILE: \AAA\00020\133	REVISED: 15:19:32 05/07/2007	BY: ENBRAMO
MTL: -		

BALDOR ELECTRIC Co.

VERT 182-4C XPFC 36L CL-I GROUP-D

36LYN013

CD0001



NOTES:

1. STANDARD ROTATION IS CCW FACING END OPPOSITE SHAFT EXTENSION.
2. OPTIONAL THERMOSTAT IS PROVIDED WHEN SPECIFIED.
3. MULTIPLE CAPACITORS ARE CONNECTED IN PARALLEL UNLESS OTHERWISE SPECIFIED.
4. LEAD COLORS ARE OPTIONAL. LEADS MUST ALWAYS BE NUMBERED AS SHOWN.

CD0001

REV. DESC: REVISE TO SHOW OPTIONAL COLORS			
REV. LTR: D	BY: JLP	REVISED: 04/08/99 1:16	TDR: 0178636
100000		FILE: AAA00007405	MDL: -
		MTL: -	

BALDOR ELECTRIC Co.

TYPE L, DV, REV, 6 LEADS