

BALDOR® • ***RELIANCE***

Product Information Packet

VM3539

.5HP, 1140RPM, 3PH, 60HZ, 56C, 3418M, TEFC, F1

Part Detail							
Revision:	Z	Status:	PRD/A	Change #:		Proprietary:	No
Type:	AC	Prod. Type:	3418M	Elec. Spec:	34WG5884	CD Diagram:	CD0005
Enclosure:	TEFC	Mfg Plant:		Mech. Spec:	34A063	Layout:	34LYA063
Frame:	56C	Mounting:	F1	Poles:	06	Created Date:	
Base:	N	Rotation:	R	Insulation:	B	Eff. Date:	09-19-2016
Leads:	9#18					Replaced By:	
Literature:		Elec. Diagram:					

Nameplate NP1256L										
CAT.NO.	VM3539									
SPEC.	34A63-5884									
HP	.5									
VOLTS	230/460									
AMP	2.4/1.2									
RPM	1140									
FRAME	56C				HZ	60			PH	3
SER.F.	1.25			CODE	J	DES	B		CLASS	B
NEMA-NOM-EFF	72			PF	55					
RATING	40C AMB-CONT									
CC									USABLE AT 208V	2.7
DE	6203				ODE	6203				
ENCL	TEFC			SN						
	SFA 2.6/1.3									

Parts List		
Part Number	Description	Quantity
SA009882	SA 34A63-5884	1.000 EA
RA006327	RA 34A63-5884	1.000 EA
34CB3002A	CB CAST W/.88 DIA HOLE	1.000 EA
34GS1029A01	GASKET, CONDUIT BOX	1.000 EA
51XB1016A07	10-16 X 7/16 HXWSSLD SERTYB	2.000 EA
11XW1032G06	10-32 X .38, TAPTITE II, HEX WSHR SLTD U	1.000 EA
34EP3102A01SP	FR ENDPLATE, MACH	1.000 EA
HW5100A03SP	WAVY WASHER (W1543-017)	1.000 EA
34EP3300A24SP	PU ENDPLATE, MACH	1.000 EA
51XN1032A20	10-32 X 1 1/4 HX WS SL SR	2.000 EA
34FN3002A01SP	EXTERNAL FAN, PLASTIC, .637/.639 HUB W/	1.000 EA
34FH4002A01SP	IEC FH NO GREASER PRIMED	1.000 EA
51XW1032A06	10-32 X .38, TAPTITE II, HEX WSHR SLTD S	3.000 EA
34CB4517	CB LID 4 MTG HOLES .22 DIA STAMPED, FOR	1.000 EA
34GS1031A01	GASKET, FLAT CONDUIT BOX LID (LEXIDE)	1.000 EA
51XW0832A07	8-32 X .44, TAPTITE II, HEX WSHR SLTD SE	4.000 EA
HW2501D13	KEY, 3/16 SQ X 1.375	1.000 EA
HA7000A04	KEY RETAINER 0.625 DIA SHAFTS	1.000 EA
MG1000G27	MED CHARCOAL METALLIC GREY 400-0096	0.014 GA
85XU0407S04	4X1/4 U DRIVE PIN STAINLESS	2.000 EA
HA3100A12	THRUBOLT 10-32 X 7.375	4.000 EA
MN416A01	TAG-INSTAL-MAINT no wire (1200/bx) 11/14	1.000 EA
LC0005E01	CONN.DIA./WARNING LABEL (LC0005/LB1119N)	1.000 EA
NP1256L	ALUM UL CSA CC	1.000 EA

Parts List (continued)		
Part Number	Description	Quantity
35PA1000	PKG GRP, PRINT PK1008A06	1.000 EA
PK3083T	STYROFOAM PACKING CRADLE W/TAPE	1.000 EA

AC Induction Motor Performance Data
Record # 6835 - Typical performance - not guaranteed values

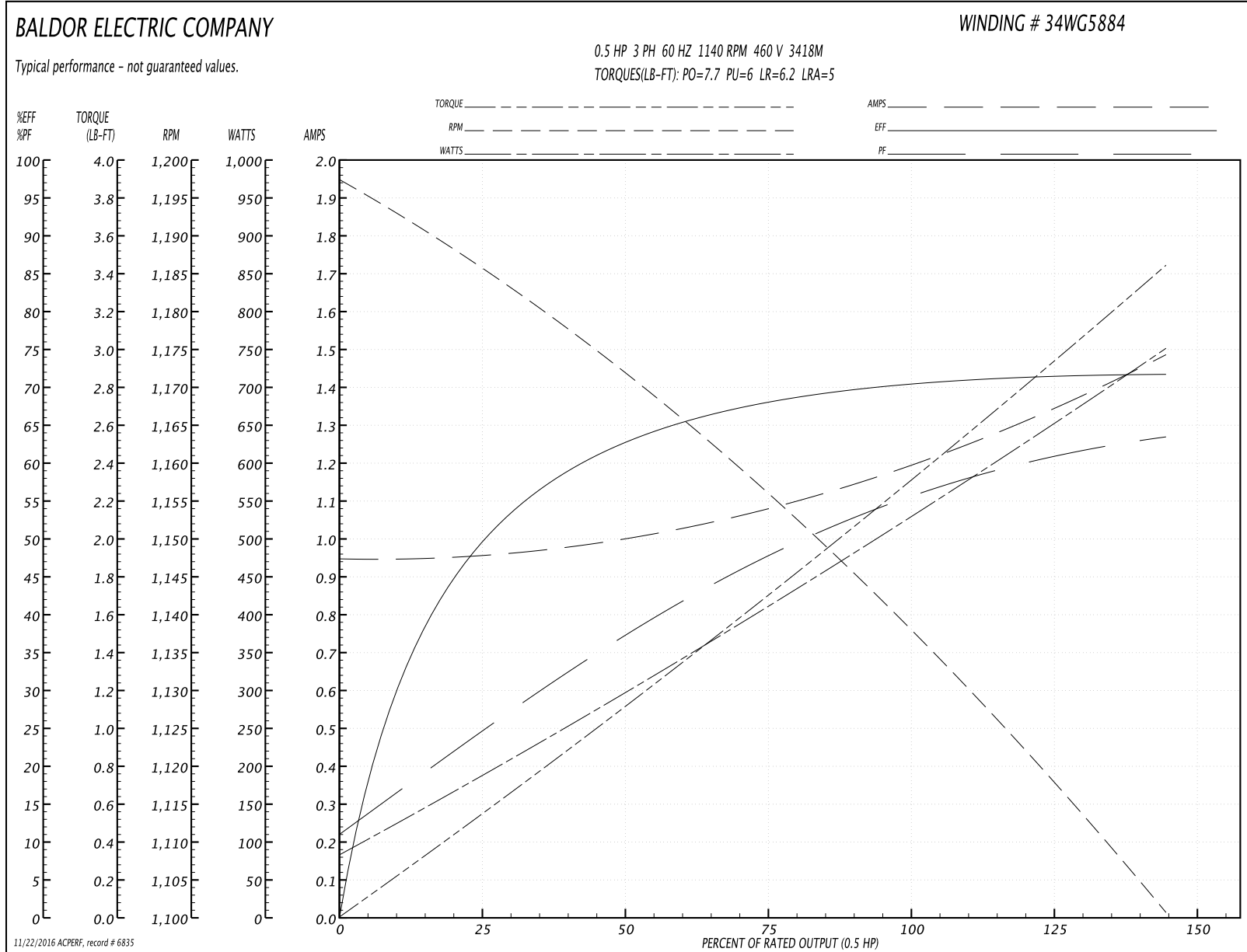
Winding: 34WG5884-R001	Type: 3418M	Enclosure: TEFC
-------------------------------	--------------------	------------------------

Nameplate Data				460 V, 60 Hz: High Voltage Connection	
Rated Output (HP)	.5			Full Load Torque	2.3 LB-FT
Volts	230/460			Start Configuration	direct on line
Full Load Amps	2.4/1.2			Breakdown Torque	7.7 LB-FT
R.P.M.	1140			Pull-up Torque	6 LB-FT
Hz	60	Phase	3	Locked-rotor Torque	6.2 LB-FT
NEMA Design Code	B	KVA Code	J	Starting Current	5 A
Service Factor (S.F.)	1.25			No-load Current	0.95 A
NEMA Nom. Eff.	72	Power Factor	55	Line-line Res. @ 25°C	39.6 Ω
Rating - Duty	40C AMB-CONT			Temp. Rise @ Rated Load	63°C
S.F. Amps	2.6/1.3			Temp. Rise @ S.F. Load	77°C

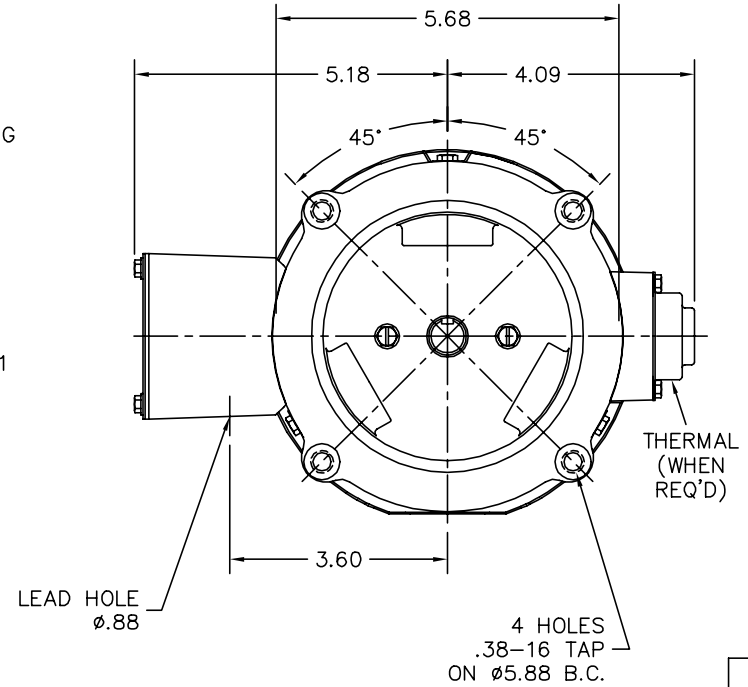
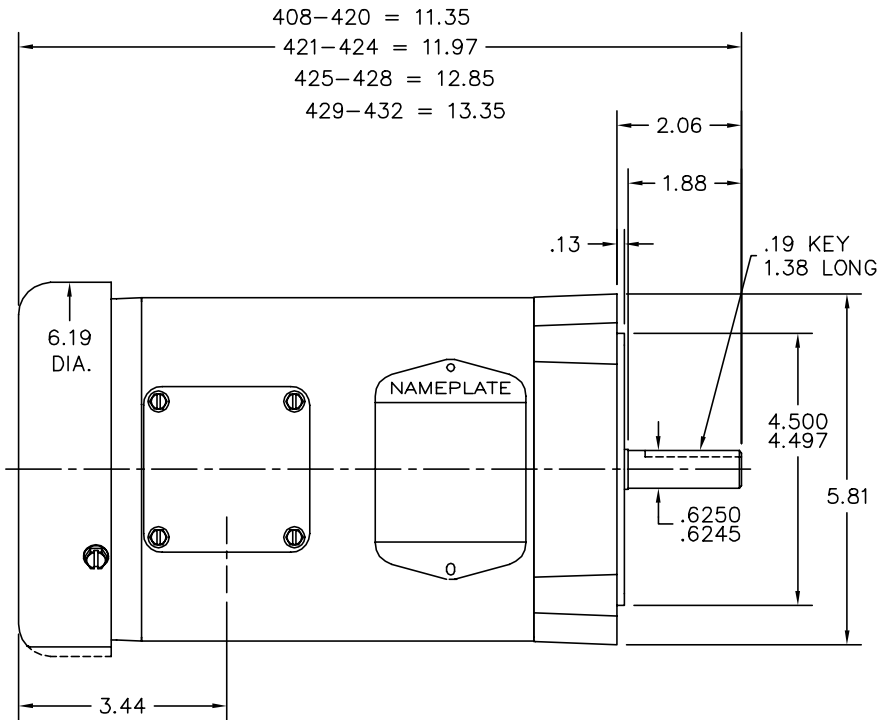
Load Characteristics 460 V, 60 Hz, 0.5 HP

% of Rated Load	25	50	75	100	125	150	S.F.
Power Factor	20	34	45	55	62	68	62
Efficiency	48	63	67	72	72	71	72
Speed	1185	1170	1155	1140	1120	1100	1120
Line amperes	0.95	1	1.1	1.2	1.3	1.5	1.3

Performance Graph at 460V, 60Hz, 0.5HP Typical performance - Not guaranteed values



34LYA063



CUSTOMER IS RESPONSIBLE FOR DETERMINING THAT BALDOR'S PRODUCT WILL PERFORM SUITABLY IN THE INTENDED APPLICATION.

REV. DESC: UPDATE PARTS		
REV. LTR: L	VERSION: 02	TDR: 000000998268
FILE: \AAA\00000\724	REVISED: 02: 36:11 09/27/2016	BY: ENBENBO
MTL: -	☉ □	

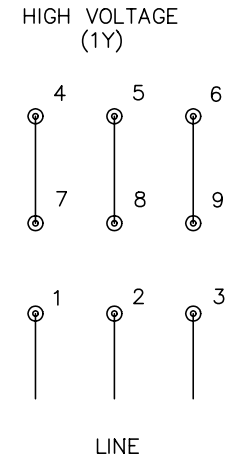
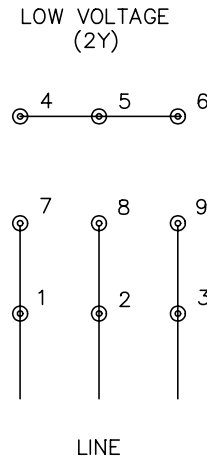
BALDOR

STD VERT 34M NEMA 56C TEFC

SH 1 of 1

34LYA063

CD0005



NOTES:

1. INTERCHANGE ANY TWO LINE LEADS TO REVERSE ROTATION.
2. OPTIONAL THERMOSTATS ARE PROVIDED WHEN SPECIFIED.
3. ACTUAL NUMBER OF INTERNAL PARALLEL CIRCUITS MAY BE A MULTIPLE OF THOSE SHOWN ABOVE.
4. LEAD COLORS ARE OPTIONAL. LEADS MUST ALWAYS BE NUMBERED AS SHOWN.

REV. DESC: REVISE TO SHOW OPTIONAL COLORS			
REV. LTR: E	BY: JLP	REVISED: 01/19/99 10:15	TDR: 0171435
90000		FILE: AAA00005140	MDL: -
		MTL: -	

BALDOR ELECTRIC Co.

3PH, DV, 9 LEADS

CD0005