

# **BALDOR**® • ***RELIANCE***

## **Product Information Packet**

# **VP3455D**

**.75/1HP,1750RPM,DC,D80D,3435P,TEFC,F2**

| Part Detail |      |             |       |                |          |               |            |
|-------------|------|-------------|-------|----------------|----------|---------------|------------|
| Revision:   | G    | Status:     | PRD/A | Change #:      |          | Proprietary:  | No         |
| Type:       | DC   | Prod. Type: |       | Elec. Spec:    | 34WG3865 | CD Diagram:   | CD0194     |
| Enclosure:  | TEFC | Mfg Plant:  |       | Mech. Spec:    | 34-6483  | Layout:       | 34LY6483   |
| Frame:      | D80D | Mounting:   | B35   | Poles:         | ///      | Created Date: |            |
| Base:       | RG   | Rotation:   | R     | Insulation:    | F        | Eff. Date:    | 09-14-2016 |
| Field Type: |      | Literature: |       | Elec. Diagram: |          | Replaced By:  |            |

| Nameplate NP1049L |                          |          |                          |
|-------------------|--------------------------|----------|--------------------------|
| CAT.NO.           | VP3455D                  |          |                          |
| SPEC.             | 34-6483-3865             |          |                          |
| KW/HP             | .75/1 TE                 | I.P.     | 54                       |
| RPM               | 1750 TE                  |          |                          |
| IEC FRAME         | D80D                     | TYPE     | 3435P                    |
| ARM V             | 180                      | ARM A    | 5                        |
| FLD V             |                          | FLD A    |                          |
| INSUL             | F                        | AMB.     | 40                       |
| DUTY              | CONT                     | SUPPLY   | 1.5                      |
| BRG/DE            | 6206                     | BRG/ODE  | 6203                     |
| BRUSHES           | 2/BP5000AW14             |          |                          |
| SER.              |                          | BLANK    |                          |
| BLANK             |                          |          |                          |
| APRV-CE           | <input type="checkbox"/> | APRV-CSA | <input type="checkbox"/> |
|                   |                          | APRV-UL  | <input type="checkbox"/> |

| Parts List    |  |          |
|---------------|--|----------|
| Part Number   | Description                              | Quantity |
| SA053021      | SA 34-6483-3865                          | 1.000 EA |
| AA005943      | AA 34-6483-3865                          | 1.000 EA |
| BP5000AW14SP  | CARBON BRUSH - 33P, 180 VOLTS            | 1.000 EA |
| HA3210B66     | .125 DIA X .281 (AUTO)                   | 2.000 EA |
| 11XW1032G06   | 10-32 X .38, TAPTITE II, HEX WSHR SLTD U | 1.000 EA |
| 34EP3103B14   | FR ENDPLATE MACH 34PM TEFC F-2 MTG W/PG- | 1.000 EA |
| WD4100A17     | PLUG STIMPSON D4036                      | 1.000 EA |
| HW5100A03SP   | WAVY WASHER (W1543-017)                  | 1.000 EA |
| 34EP2505A01   | FLG MTG EP IEC F165 ENCL 205 BRG MACH.   | 1.000 EA |
| HW4600B49     | SEAL 0.938 X 1.624 X 0.250 SINGLE LIP DB | 1.000 EA |
| 51XN1032A24   | 10-32 X 1 1/2 HX WS SL SR                | 2.000 EA |
| BP5201A11SP   | BRUSH HOLDER ASSY W/BP4511A01 & BP3000A0 | 1.000 EA |
| 80XN1032A03   | 10-32 X 3/16 SET SCREW                   | 2.000 EA |
| 34FN3002A01SP | EXTERNAL FAN, PLASTIC, .637/.639 HUB W/  | 1.000 EA |
| 34FH5002A01SP | FAN COVER ASSY W/SHAFT COVER             | 1.000 EA |
| 51XW1032A06   | 10-32 X .38, TAPTITE II, HEX WSHR SLTD S | 3.000 EA |
| 34CB4504SP    | CONDUIT BOX LID, STAMPED                 | 1.000 EA |
| 34GS1011SP    | GASKET, CONDUIT BOX LID                  | 1.000 EA |
| 51XW0832A07   | 8-32 X .44, TAPTITE II, HEX WSHR SLTD SE | 2.000 EA |
| HW3001B02     | BRASS CUP WASHER W/GROUND SYMBOL TAB,    | 1.000 EA |
| WD4102A01     | SR-6L-1 HEYCO STRN RELIEF OR 23MPO6L10 M | 1.000 EA |
| HW2504E10     | KEY, 6 MM X 1.000                        | 1.000 EA |
| HA7000A11     | KEY RETAINER 0.750 DIA SHAFTS            | 1.000 EA |
| MG1000G27     | MED CHARCOAL METALLIC GREY 400-0096      | 0.014 GA |

| <b>Parts List (continued)</b> |  |                 |
|-------------------------------|--|-----------------|
| <b>Part Number</b>            | <b>Description</b>                       | <b>Quantity</b> |
| MJ5004A05                     | #242-21 LOCTITE GENERAL PURPOSE MED. STR | 0.001 EA        |
| MJ5001A27                     | 32220KN GRAY SEALER *MIN BUY 4 QTS=1GAL  | 0.001 QT        |
| 10XF0440S02                   | 04-40 X 1/8 TYPE F HEX HD STAINLESS STIC | 2.000 EA        |
| ML14A1B14                     | 14 AWG,A1,BLACK                          | 8.500 IN        |
| ML14A2B14                     | 14 AWG,A2,BLACK                          | 8.500 IN        |
| HA3100A37                     | THRUBOLT 10-32 X 8.500                   | 4.000 EA        |
| LB1119N                       | WARNING LABEL                            | 1.000 EA        |
| MN416A01                      | TAG-INSTAL-MAINT no wire (1200/bx) 11/14 | 1.000 EA        |
| LC0194                        | CONNECTION LABEL                         | 1.000 EA        |
| NP1049L                       | NP STD LASER ENGRAVED IEC DC MOTORS, UL  | 1.000 EA        |
| 27PA1006                      | PKG GRP, PRINT PK1027A06                 | 1.000 EA        |

| <b>Accessories</b> |                                 |                   |
|--------------------|---------------------------------|-------------------|
| <b>Part Number</b> | <b>Description</b>              | <b>Multiplier</b> |
| TK3400             | TACHO MOUNTING KIT FOR TK3400   | A8                |
| TK3400-HPU         | HPU10 MOUNTING KIT 34P/35P TEFC |                   |

**DC Motor Performance Data**

Record # 237 - Typical performance - not guaranteed values

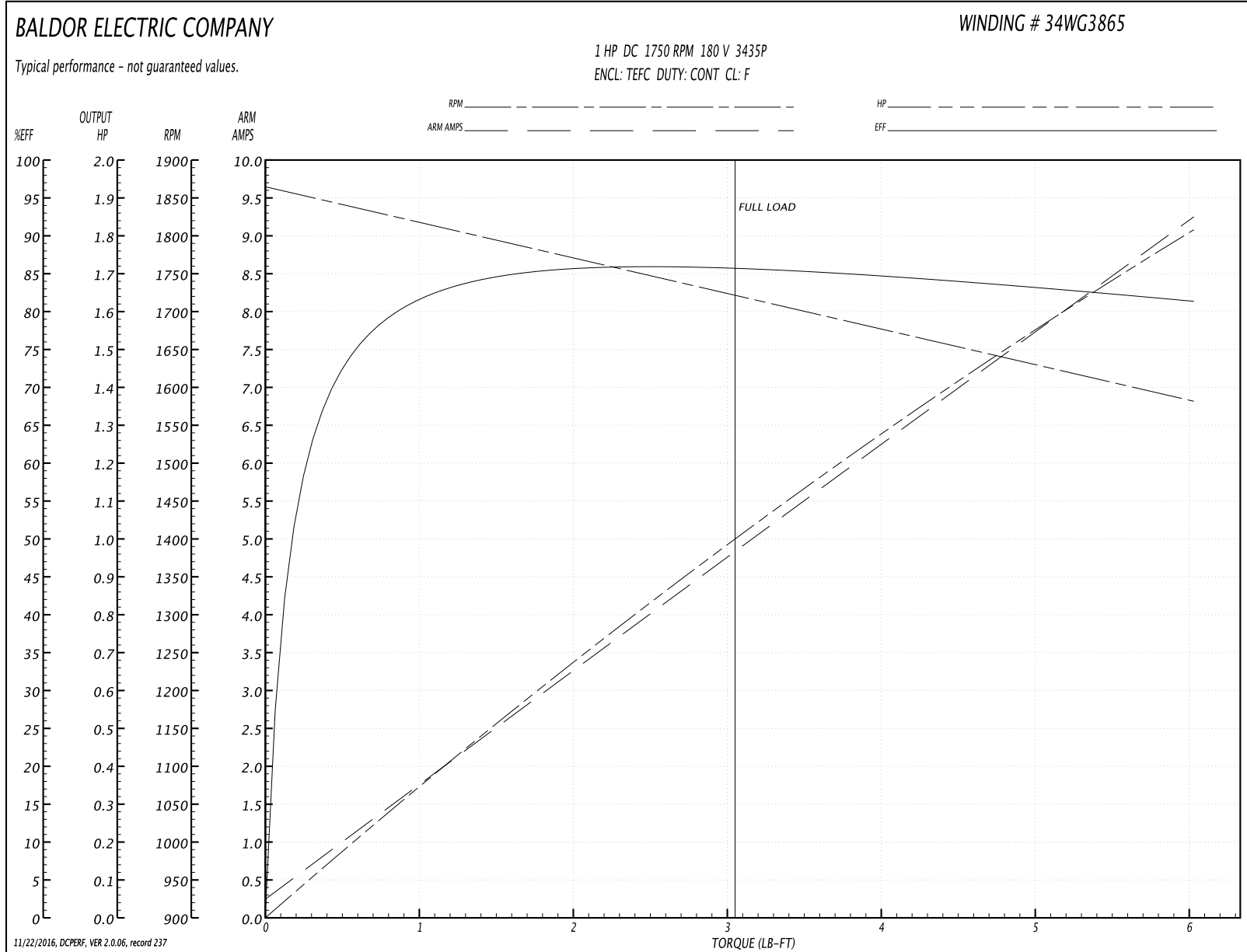
|                               |                    |                        |
|-------------------------------|--------------------|------------------------|
| <b>Winding:</b> 34WG3865-R001 | <b>Type:</b> 3435P | <b>Enclosure:</b> TEFC |
|-------------------------------|--------------------|------------------------|

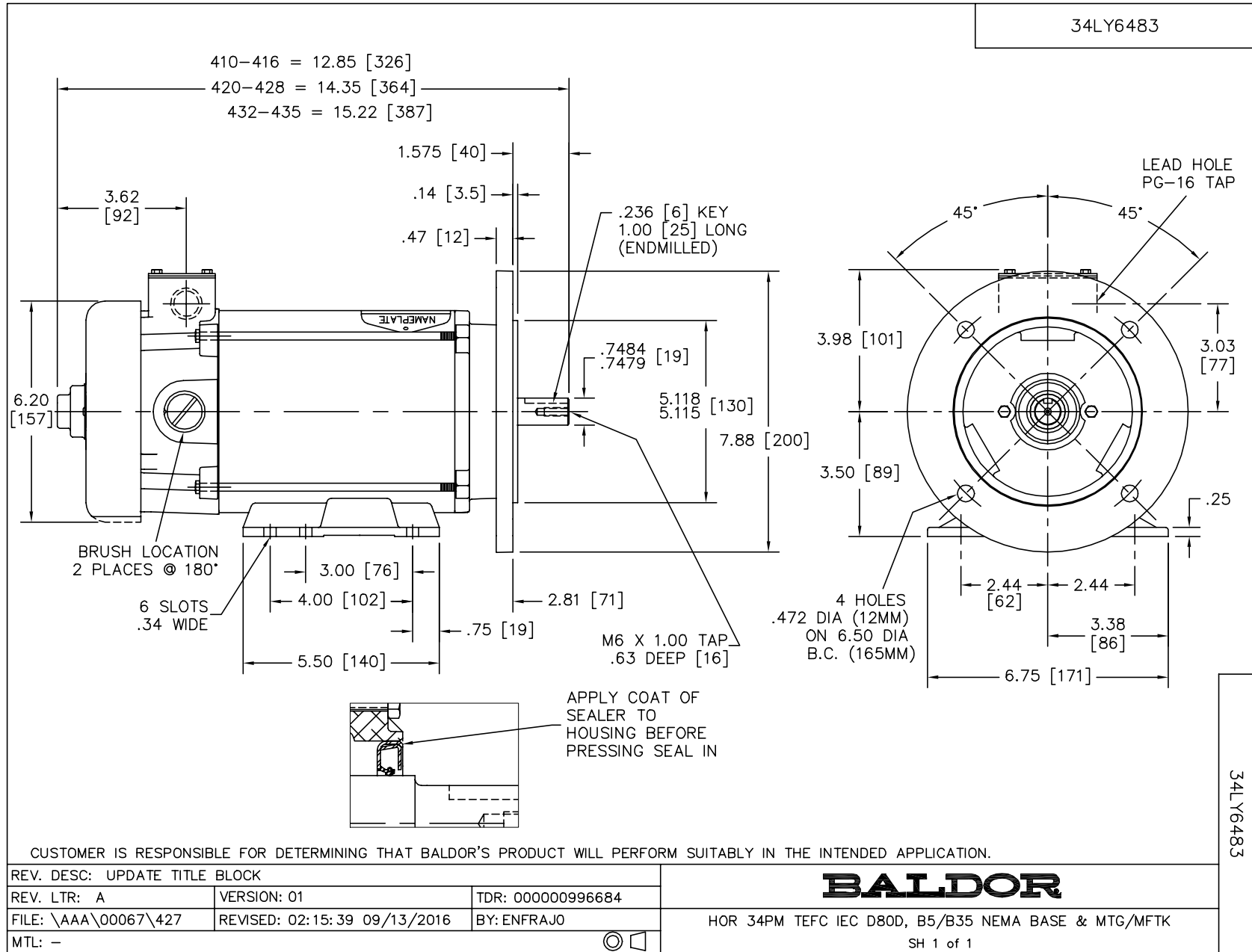
| Nameplate Data    |              | General Characteristics    |          |
|-------------------|--------------|----------------------------|----------|
| Rated Output (HP) | 1            | Armature Resistance @ 25°C | 1.9971 Ω |
| R.P.M.            | 1750         |                            |          |
| Armature Volts    | 180          |                            |          |
| Armature Amps     | 5            |                            |          |
| Field Volts       |              |                            |          |
| Field Amps        |              |                            |          |
| Rating - Duty     | 40C AMB-CONT |                            |          |
| Form Factor       | 1.5          |                            |          |
|                   |              |                            |          |

Load Characteristics at 180 Armature Volts

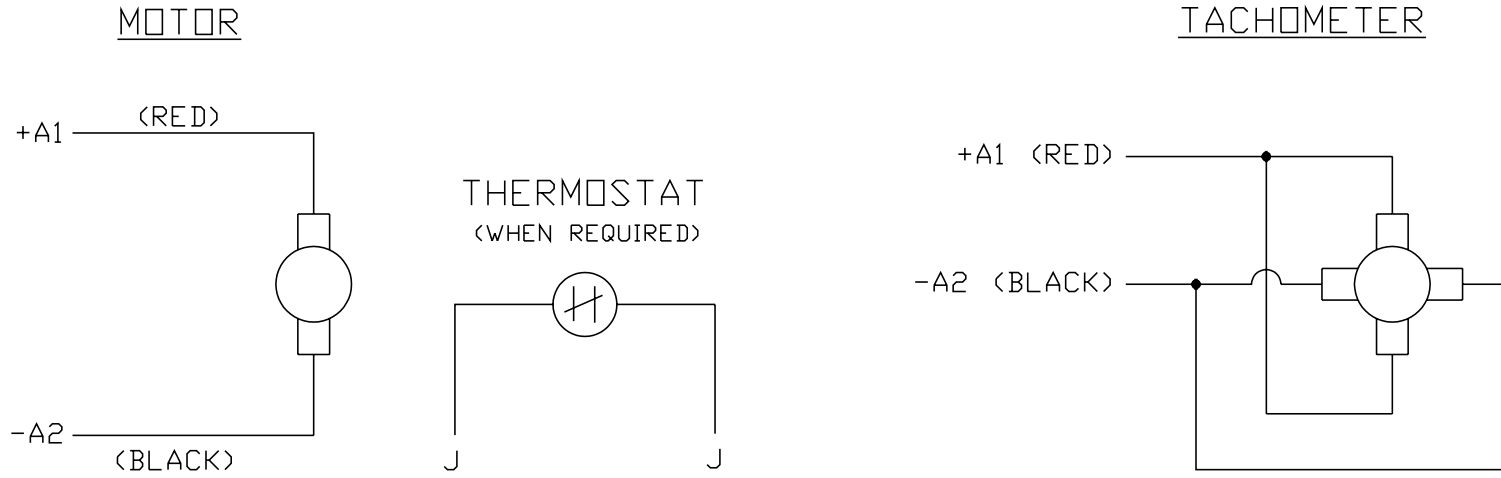
| Load Point       | 1    | 2    | 3    | 4    | 5    | 6    | 7    |
|------------------|------|------|------|------|------|------|------|
| Armature Amps    | 0.23 | 1.41 | 2.52 | 3.66 | 4.83 | 7.05 | 9.26 |
| R.P.M.           | 1870 | 1829 | 1794 | 1755 | 1720 | 1643 | 1590 |
| Torque ( LB-FT ) | 0    | 0.75 | 1.51 | 2.26 | 3.05 | 4.55 | 6.03 |

Performance Graph at 180.0 Arm V, 1.0HP Typical performance - Not guaranteed values





CD0194



NOTES:

1. CCW ROTATION AS SHOWN FACING COMMUTATOR END. TO REVERSE MOTOR ROTATION OR TACHOMETER OUTPUT POLARITY INTERCHANGE LEADS A1(RED) & A2(BLACK)
2. LEAD COLORS FOR REFERENCE ONLY & NOT SPECIFIED BY THIS DRAWING. LEAD COLORS SPECIFIED BY LAYOUT DRAWING & BILL OF MATERIAL ONLY.

|         |   |  |              |
|---------|---|--|--------------|
| MATL: - |   |  |              |
| REV:    | E | ADDED NOTE "LEAD COLORS FOR REFERENCE ONLY &..." |              |
| 761000  |   | SCALE: -   | BY: CK       |
| CD0194  |   | REVISED: 07/28/95                                | TDR: 0078737 |
|         |   | FILE: AAA00004503                                |              |

**BALDOR ELECTRIC Co.**

CD TYPE P DC PERMANENT MAGNET MOTORS AND TACHOMETERS

CD0194