

# **BALDOR**® • **RELIANCE**

## **Product Information Packet**

### **VWDM3542**

**.75HP,1750RPM,3PH,60HZ,56C,3516M,TENV,F1**

Part Detail							
Revision:	N	Status:	PRD/A	Change #:		Proprietary:	No
Type:	AC	Prod. Type:	3516M	Elec. Spec:	35WGM515	CD Diagram:	CD0005
Enclosure:	TENV	Mfg Plant:		Mech. Spec:	35S603	Layout:	35LYS603
Frame:	56C	Mounting:	F1	Poles:	04	Created Date:	04-30-2010
Base:	N	Rotation:	R	Insulation:	F	Eff. Date:	09-29-2016
Leads:	9#18					Replaced By:	
Literature:		Elec. Diagram:					

Nameplate NP1496L										
CAT.NO.	VWDM3542									
SPEC.	35S603M515G1									
HP	.75									
VOLTS	230/460									
AMP	2.4/1.2									
RPM	1750									
FRAME	56C				HZ	60			PH	3
SER.F.	1.25		CODE	M	DES	B		CLASS	F	
NEMA-NOM-EFF	80		PF	74						
RATING	40C AMB-CONT									
CC									USABLE AT 208V	
DE	6205				ODE	6203				
ENCL	TENV		SN							
	SFA 2.7/1.35									

Parts List		
Part Number	Description	Quantity
SA194135	SA 35S603M515G1	1.000 EA
RA181725	RA 35S603M515G1	1.000 EA
NS2512A01	INSULATOR, CONDUIT BOX X	1.000 EA
35CB3008A01W	35 CB .50 NPT @ 6, MACH WHITE EPOXY	1.000 EA
35GS1040	35 MOLDED GASKET W/LIP, LEAD SEAL,	1.000 EA
51XB1016A08	10-16X 1/2HXWSSLD SERTYB	2.000 EA
11XW1032G06	10-32 X .38, TAPTITE II, HEX WSHR SLTD U	1.000 EA
35EP3100M71MW	SPL FR ENDPLATE -TENV- SP.#9 (WHITE EPOX	1.000 EA
HW4032A01	BLACK DRAIN PLUG FOR WASH DOWN MOTORS	3.000 EA
HW5100A03SP	WAVY WASHER (W1543-017)	1.000 EA
35EP3300A48MW	SPL FACE MTD EP - 205 BRG - W/SEAL FOR W	1.000 EA
HW4032A01	BLACK DRAIN PLUG FOR WASH DOWN MOTORS	3.000 EA
HW4600B49	SEAL 0.938 X 1.624 X 0.250 SINGLE LIP DB	1.000 EA
12XN1032S20	10-32 X 1-1/4 HEX M.S. , STAINLESS STEEL	2.000 EA
35CB4522	35 LIPPED CB LID PRIMED	1.000 EA
35GS1030A02	35 GS FOR CB LID - WHITE NEOPRENE	1.000 EA
59XW0832S07	TAPTITE II,HEX WSHR UNSLTD SER,410 S.S.,	4.000 EA
HW4600B32SP	V-RING SLINGER 1.000 X 1.540 X .24 VITON	1.000 EA
HW2502D13	SS KEY, 3/16 SQ X 1.375	1.000 EA
HA7000A04	KEY RETAINER 0.625 DIA SHAFTS	1.000 EA
MJ5001A27	32220KN GRAY SEALER *MIN BUY 4 QTS=1GAL	0.001 QT
LB1164	LABEL,WARNING AND DRAIN	1.000 EA
85XU0407S04	4X1/4 U DRIVE PIN STAINLESS	2.000 EA
HA5027A01	HA4066A01 T-DRAIN X2 BAGGED	1.000 EA

<b>Parts List (continued)</b>		
<b>Part Number</b>	<b>Description</b>	<b>Quantity</b>
MJ1000A02	GREASE, POLYREX EM EXXON (USe 4824-15A)	0.050 LB
MG1025Z02	ACTIVATOR WILKOFAS 060.02HF	0.010 GA
MG1025W01	WILKOFAS 781.01, SIGNAL WHITE #9003	0.017 GA
HA3100S38	THRUBOLT 10-32X 7.5 SS	4.000 EA
LC0005	CONN.DIA.,TY M,9-LD,DUAL VOLT,REVERSING	1.000 EA
NP1496L	SS WD UL CSA CC	1.000 EA
35PA1066	PKG GRP, PRINT PK1008A06	1.000 EA
PK3082	STYROFOAM CRADLE	1.000 EA
MN416A01	TAG-INSTAL-MAINT no wire (1200/bx) 11/14	1.000 EA

**AC Induction Motor Performance Data**

Record # 31309 - Typical performance - not guaranteed values

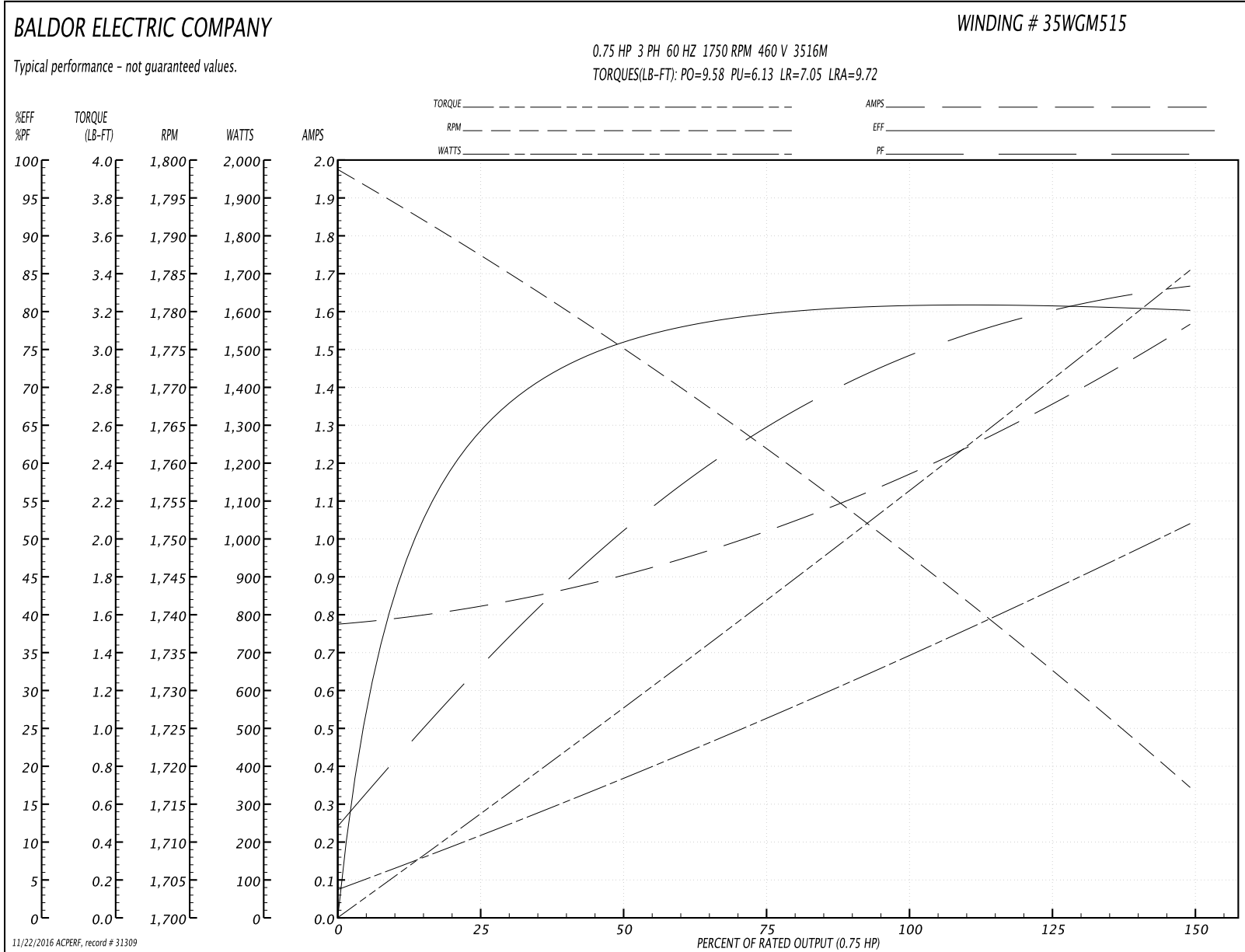
<b>Winding:</b> 35WGM515-R001	<b>Type:</b> 3516M	<b>Enclosure:</b> TENV
-------------------------------	--------------------	------------------------

Nameplate Data				460 V, 60 Hz: High Voltage Connection	
Rated Output (HP)	.75			Full Load Torque	2.24 LB-FT
Volts	230/460			Start Configuration	direct on line
Full Load Amps	2.4/1.2			Breakdown Torque	9.58 LB-FT
R.P.M.	1750			Pull-up Torque	6.13 LB-FT
Hz	60	Phase	3	Locked-rotor Torque	7.05 LB-FT
NEMA Design Code	B	KVA Code	M	Starting Current	9.72 A
Service Factor (S.F.)	1.25			No-load Current	0.781 A
NEMA Nom. Eff.	80	Power Factor	74	Line-line Res. @ 25°C	23.06 Ω
Rating - Duty	40C AMB-CONT			Temp. Rise @ Rated Load	63°C
S.F. Amps				Temp. Rise @ S.F. Load	80°C
				Locked-rotor Power Factor	65
				Rotor inertia	0.0946 LB-FT <sup>2</sup>

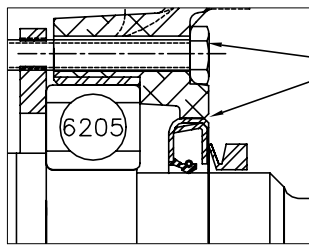
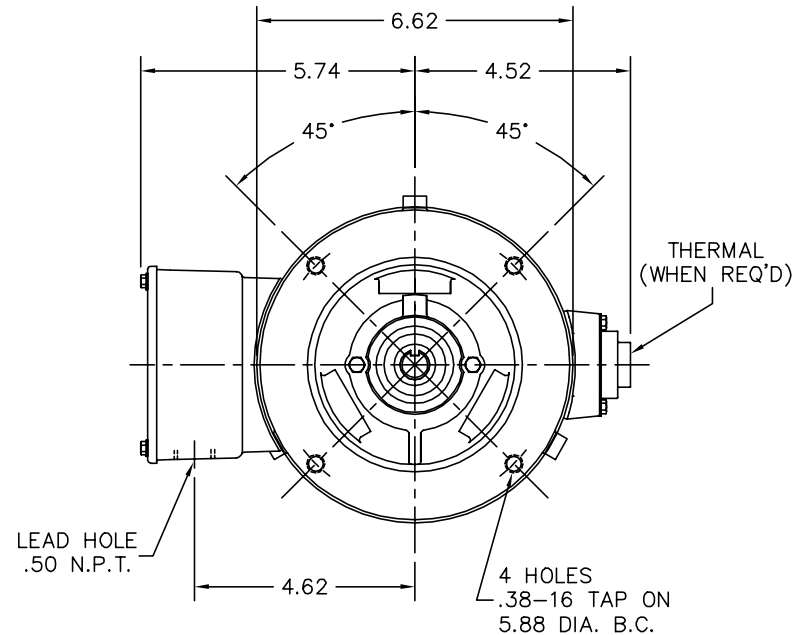
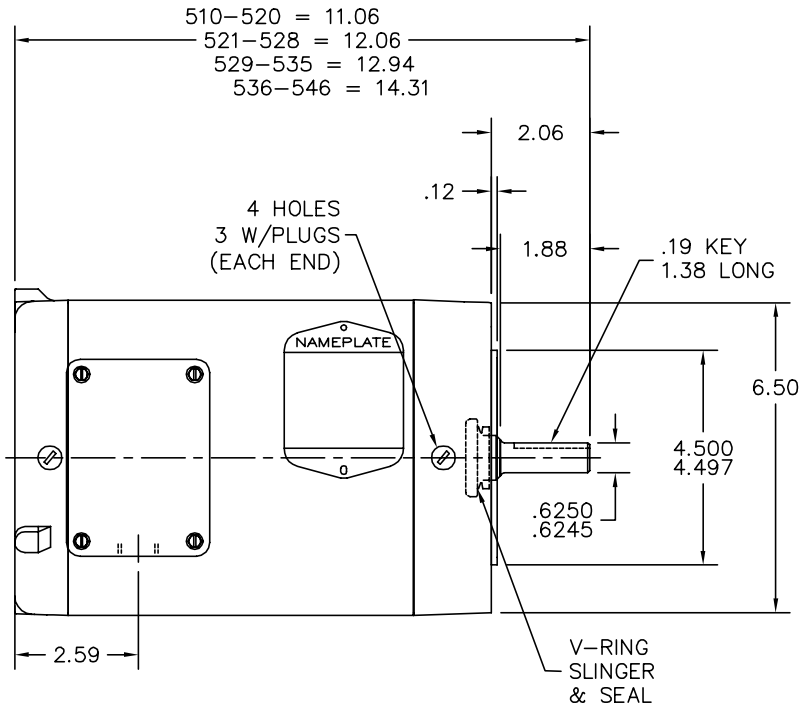
Load Characteristics 460 V, 60 Hz, 0.75 HP

% of Rated Load	25	50	75	100	125	150	S.F.
Power Factor	33	51	65	74	80	84	80
Efficiency	63.7	76.1	80	81.2	81	80.1	81
Speed	1787.6	1775.1	1762.3	1748.4	1732.8	1717.2	1733
Line amperes	0.815	0.896	1.02	1.17	1.36	1.56	1.36

Performance Graph at 460V, 60Hz, 0.75HP Typical performance - Not guaranteed values



35LYS603



PULLEY END DETAIL

APPLY COAT OF SEALER UNDER SCREW HEADS AND TO SEAL HOUSING BEFORE PRESSING IN SEAL

CUSTOMER IS RESPONSIBLE FOR DETERMINING THAT BALDOR'S PRODUCT WILL PERFORM SUITABLY IN THE INTENDED APPLICATION.

REV. DESC: UPDATE DRW NOTES AND PARTS		
REV. LTR: E	VERSION: 05	TDR: 000000935000
FILE: \AAA\00092\985	REVISED: 03:36:00 07/20/2015	BY: ENFRAJ0
MTL: -	⊙ □	

**BALDOR**

STD VERT 56C TENV 35M WD (S/P #9)

SH 1 of 1

35LYS603

CD0005



LOW VOLTAGE  
(2Y)



LINE

HIGH VOLTAGE  
(1Y)



LINE

NOTES:

1. INTERCHANGE ANY TWO LINE LEADS TO REVERSE ROTATION.
2. OPTIONAL THERMOSTATS ARE PROVIDED WHEN SPECIFIED.
3. ACTUAL NUMBER OF INTERNAL PARALLEL CIRCUITS MAY BE A MULTIPLE OF THOSE SHOWN ABOVE.
4. LEAD COLORS ARE OPTIONAL. LEADS MUST ALWAYS BE NUMBERED AS SHOWN.

REV. DESC: REVISE TO SHOW OPTIONAL COLORS			
REV. LTR: E	BY: JLP	REVISED: 01/19/99 10:15	TDR: 0171435
9000D		FILE: AAA00005140	MDL: -
		MTL: -	

**BALDOR ELECTRIC Co.**

3PH, DV, 9 LEADS

CD0005