

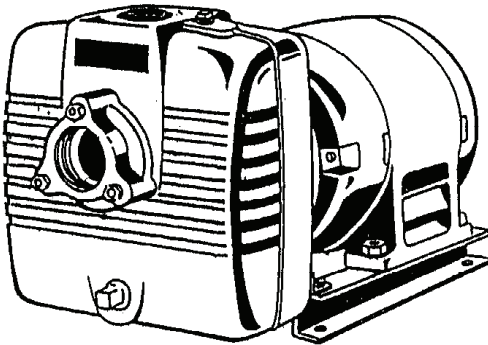
Series 10CCE & 10CCE-1

Electric Drive
2" NPT

BARNES®

www.cranepumps.com

Self-Priming Universal/Electric Driven



**Series: 10CCE & 10CCE-1
5HP, 3450RPM**

DESCRIPTION:

SELF-PRIMING CENTRIFUGAL PUMPS
DESIGNED FOR MARINE, MUNICIPAL AND
INDUSTRIAL APPLICATIONS

Specifications:

SUCTION/DISCHARGE2" x 2" NPT, Female
LIQUID TEMPERATURE160°F (71°C) Continuous
INTERMEDIATECast Iron ASTM A-48, Class 30
VOLUTECast Iron ASTM A-48, Class 30
BODYCast Iron ASTM A-48, Class 30
PEDESTAL.....Cast Iron ASTM A-48, Class 30
IMPELLER: *Design*Open, Trash Type, Dynamically
Balanced, ISO G6.3
MaterialCast Iron ASTM A-48, Class 30
SHAFTStainless Steel
SHAFT SLEEVEBronze
SQUARE RINGSBuna-N
HARDWARESeries Stainless Steel
PAINTAir Dry Enamel.
SEAL: *Design*Mechanical
LubricationSelf-Lubricating
MaterialRotating Faces - Carbon
Stationary Faces - Ni-Resist
Elastomer - Buna-N
Hardware - 300 Series Stainless

CHECK VALVE:
MaterialValve Flap-Neoprene
Weight-Cast Iron ASTM A-48, Class 30
MOTOR: *Design*Open Drip Proof, NEMA L - Single Phase,
NEMA B - Three Phase Torque Curve.
C-Face, Footed, Squirrel Cage Induction.
Marine Duty Per USCG259 and
AIEEE-45, 50°C Ambient
InsulationClass B
SINGLE PHASESingle Voltage 230
THREE PHASETri-Voltage 200-230/460
OPTIONAL EQUIPMENT.....Seal Material, TEFC Motors

SECTION 4E
PAGE 4
DATE 3/12

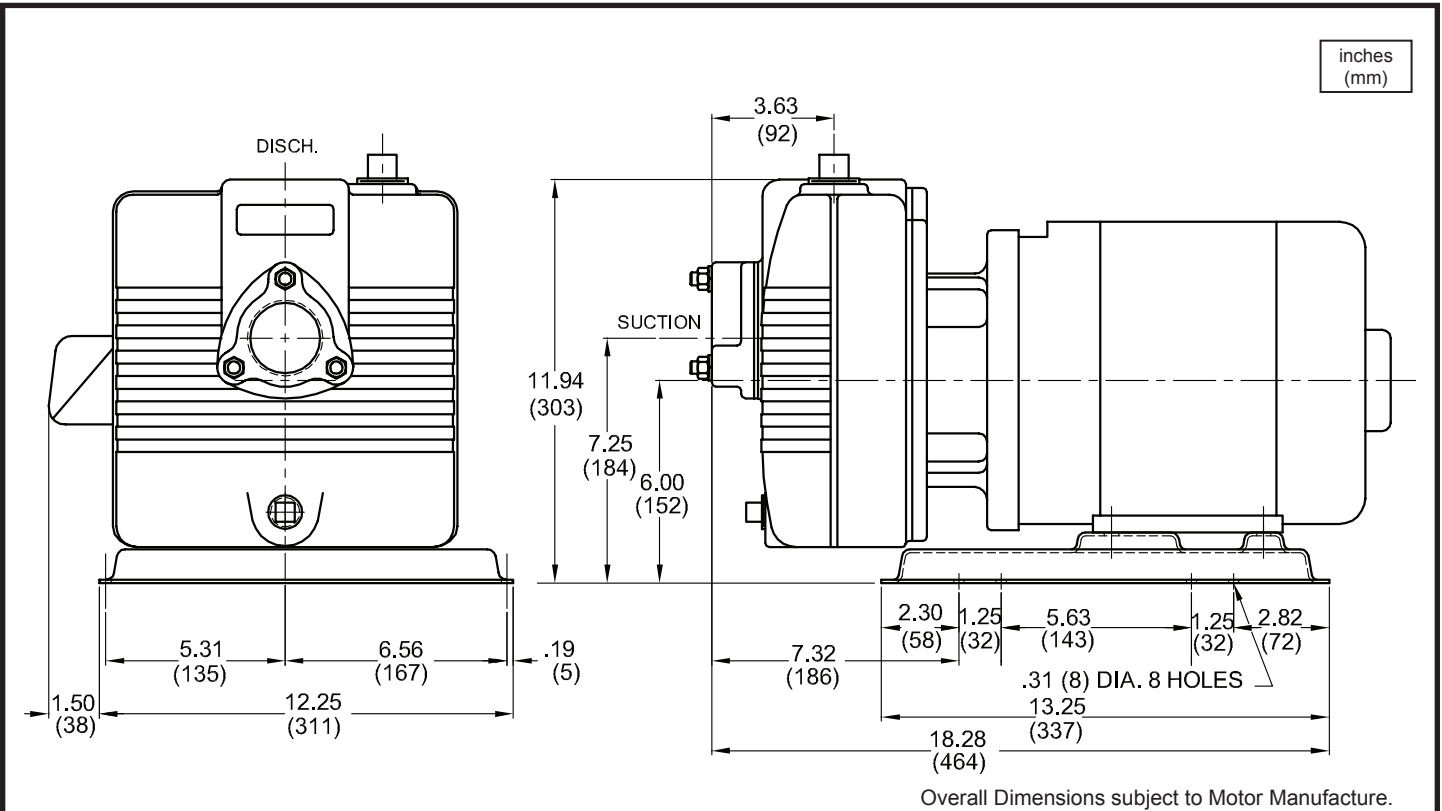
CRANE®

A Crane Co. Company

PUMPS & SYSTEMS

USA: (937) 778-8947 • Canada: (905) 457-6223 • International: (937) 615-3598

Self-Priming Universal/Electric Driven



MODEL NO	PART NO	MOTOR DESIGN	HP	VOLT	PH	Hz	RPM (Nom)	FULL LOAD AMPS	LOCKED ROTOR AMPS	WEIGHT NET LBS (kg)
10CCE	028506	ODP	5.0	200-230/460	3	60	3450	15.2/7.6	92/46	164 (74)
10CCE-1	028504	ODP	5.0	230	1	60	3450	23	125	164 (74)
10CCE	028506F	TEFC	5.0	200-230/460	3	60	3450	6 @ 460	47 @ 460	193 (88)
10CCE-1	028504F	TEFC	5.0	230	1	60	3450	23	170	185 (84)

IMPORTANT !

- DO NOT USE FOR PUMPING FLUIDS WITH A FLASH POINT OF LESS THAN 100°F.
- MAKE CERTAIN THAT PUMP AND/OR MOTOR ASSEMBLY AND CONTROLS HAVE THE APPROPRIATE RATINGS FOR THE GIVEN APPLICATION AREA CLASSIFICATION. (ie DIVISION I, AGENCY LISTING ETC.)

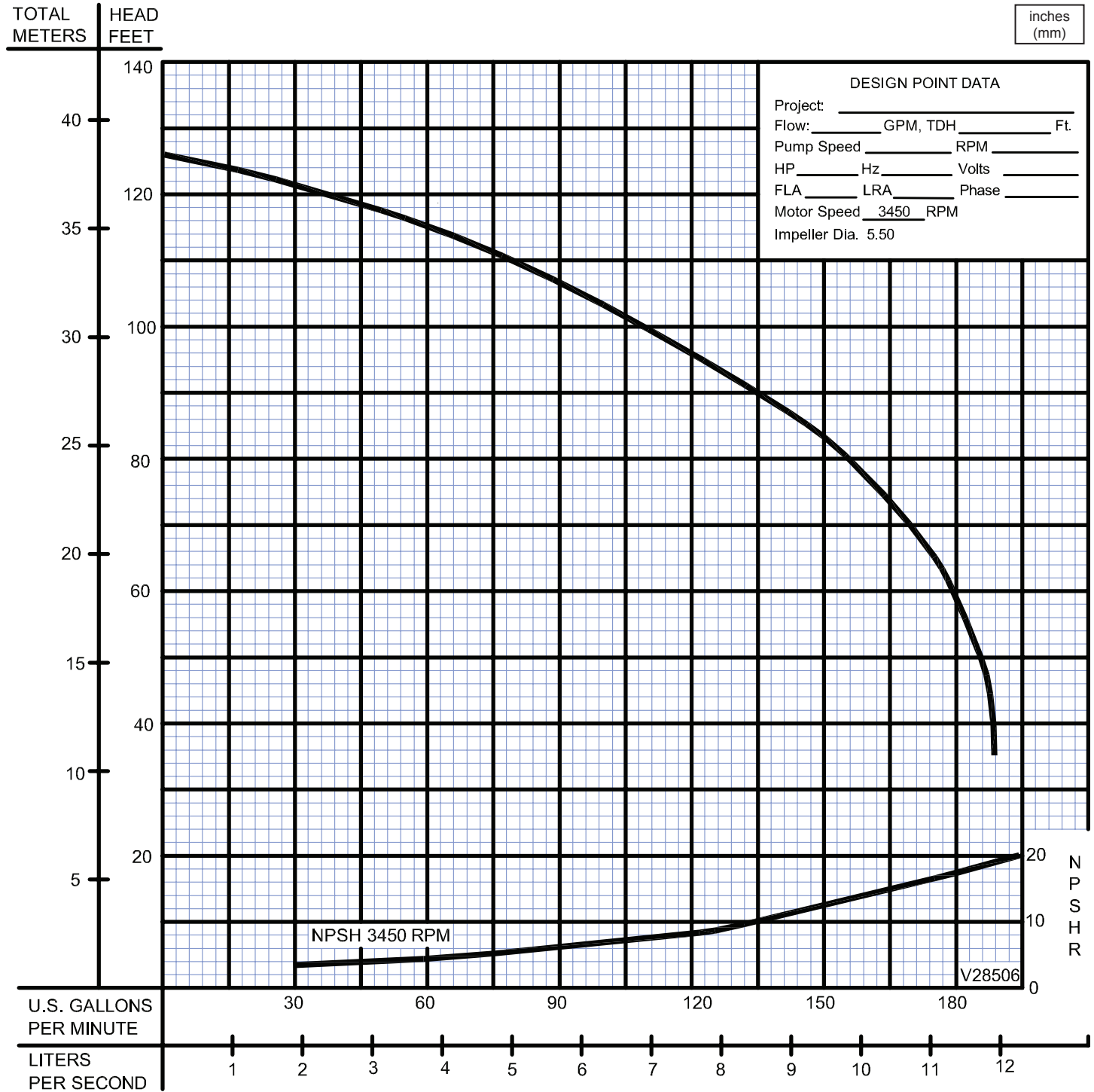
Series 10CCE & 10CCE-1

Performance Curve
Electric Drive

BARNES®

www.cranepumps.com

Self-Priming Universal/Electric Driven



Testing is performed with water, specific gravity 1.0 @ 68° F @ (20°C), other fluids may vary performance

SECTION 4E
PAGE 6
DATE 5/05

CRANE
A Crane Co. Company

PUMPS & SYSTEMS

USA: (937) 778-8947 • Canada: (905) 457-6223 • International: (937) 615-3598