

BERKELEY® B3ZPL

Cast Iron Impeller

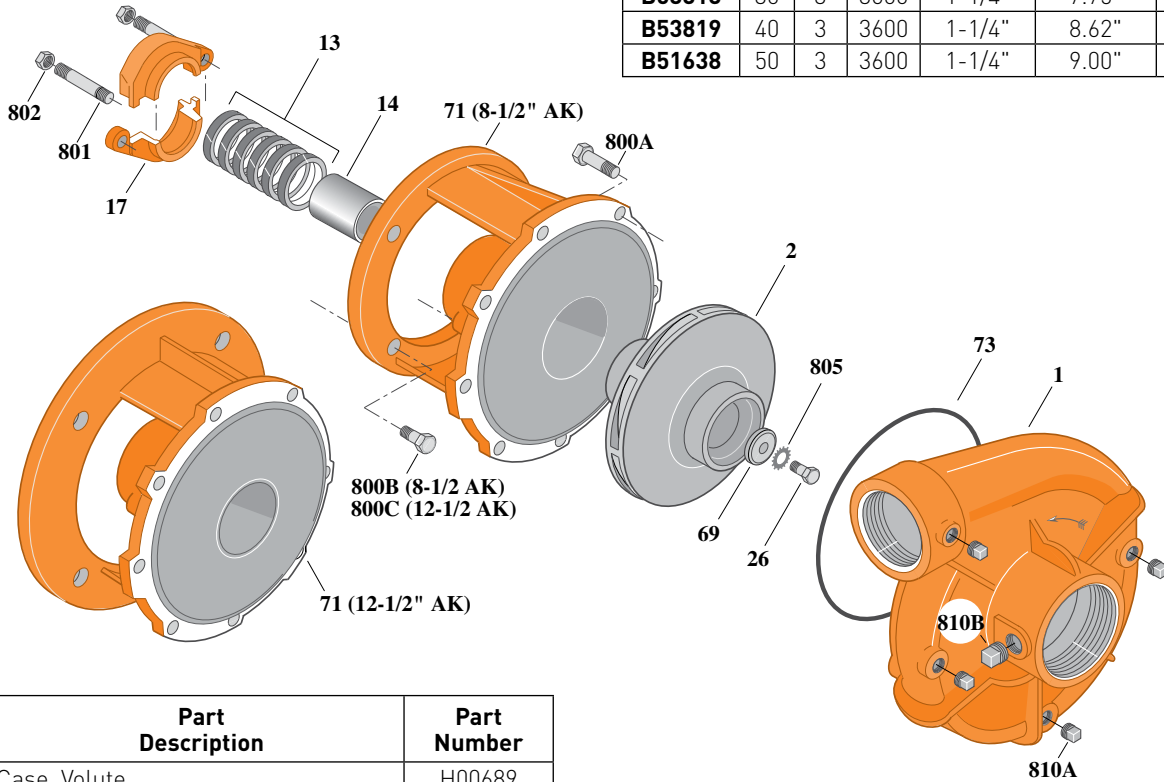
Threaded Case (NPT), Packing Construction

ELECTRIC MOTOR DRIVE

| | |
|---------------------|---------------|
| Section | CC |
| Page | 180.1 |
| Date | March 4, 2013 |
| Supersedes 07/01/11 | |

Table I

| B/M No. | HP | PH | RPM | "U" Dim. | Imp. Dia. | Imp. No. |
|---------|----|----|------|----------|-----------|----------|
| B51634 | 20 | 3 | 3600 | 1-1/4" | 6.75" | M07705 |
| B51635 | 25 | 3 | 3600 | 1-1/4" | 7.25" | M07706 |
| B53818 | 30 | 3 | 3600 | 1-1/4" | 7.75" | M07707 |
| B53819 | 40 | 3 | 3600 | 1-1/4" | 8.62" | M07708 |
| B51638 | 50 | 3 | 3600 | 1-1/4" | 9.00" | M03380 |



1746 1210

| Item No. | Part Description | Part Number |
|----------|--------------------------------------|--------------|
| 1 | Case, Volute | H00689 |
| 2 | Impeller | See Table I |
| 13 | Rings, Packing (Set of 6) | S13470 |
| 14 | Sleeve, Shaft | S05149L |
| 17 | Gland, Packing | B82470 |
| 26 | Screw, Impeller 1/2 - 13 x 1-1/2" | S23623 |
| 32 | Key, 1/4 x 2-1/4" [See Note 1] | S23677 |
| 69 | Washer, Impeller | S06319 |
| 71 | Bracket | See Table II |
| 73 | O-Ring [See Note 2] | M14943 |
| 800A | Capscrew, 3/8 - 16 x 1-1/8" [8 Req.] | S26827 |
| 800B | Capscrew, 1/2 - 13 x 1-1/2" [4 Req.] | S26916 |
| 800C | Capscrew, 5/8 - 11 x 1-1/2" [4 Req.] | S26999 |
| 801 | Stud, 3/8 - 16 x 4" [2 Req.] | S08303 |
| 802 | Nut, Hex 3/8 - 16 [2 Req.] | S23343 |
| 805 | Washer, Lock | S23038 |
| 810A | Plug, Pipe 1/4 NPT [4 Req.] | S23715 |
| 810B | Plug, Pipe 1/2 NPT | S23717 |

Table II

| HP | PH | Bracket No. | "AK" Fit | "U" Dim. | Motor Frame |
|----|----|-------------|----------|----------|-------------|
| 20 | 3 | L03827 | 8-1/2" | 1-1/4" | 254JP |
| 25 | 3 | L03827 | 8-1/2" | 1-1/4" | 256JP |
| 30 | 3 | L01563 | 12-1/2" | 1-1/4" | 284JP |
| 40 | 3 | L01563 | 12-1/2" | 1-1/4" | 286JP |
| 50 | 3 | L01563 | 12-1/2" | 1-1/4" | 324JP |

NOTE 1: For an explanation of the tabulated material found on this page and for impeller key location, refer to **Supplement A** located at the beginning of this section.

NOTE 2: Also accepts gasket **S05126** as replacement for O-Ring. See **Supplement E** located at the beginning of this section.

BERKELEY® B3ZPL

Cast Iron Impeller

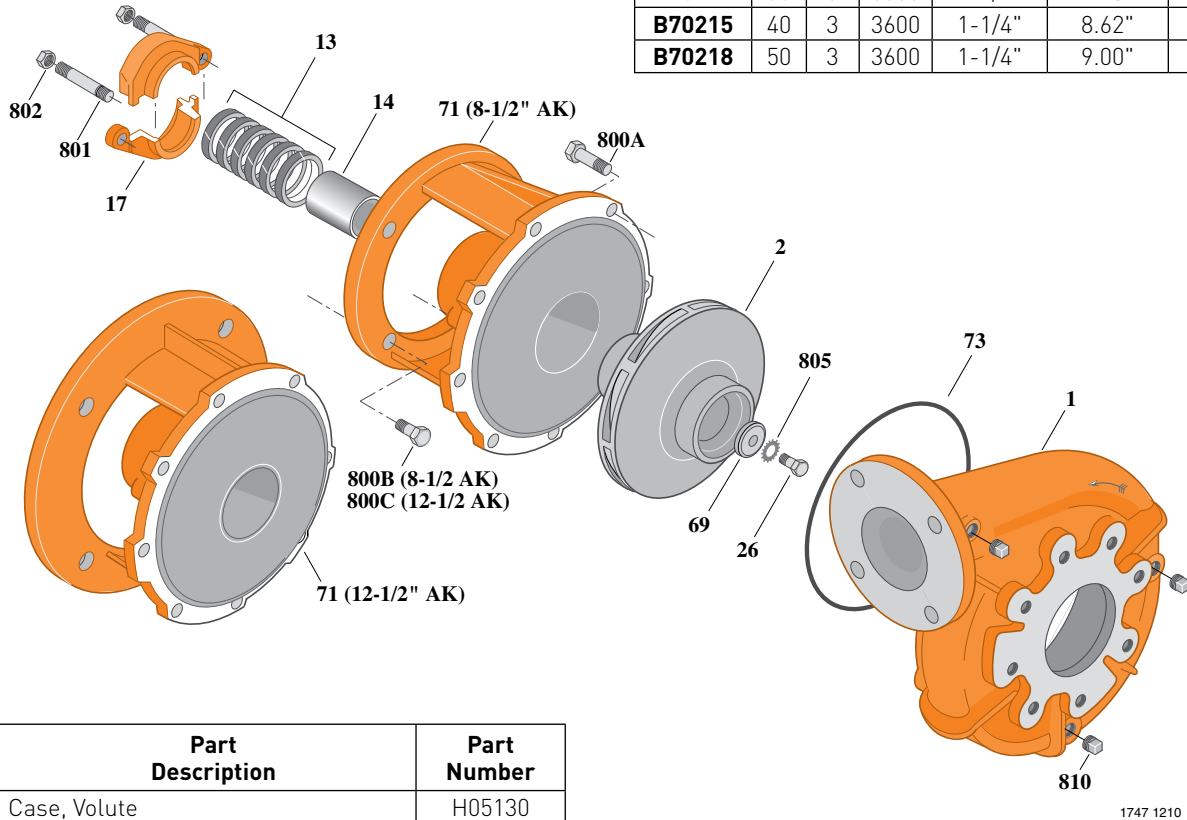
Flanged Case, Packing Construction

ELECTRIC MOTOR DRIVE

| | |
|---------------------|---------------|
| Section | CC |
| Page | 180.2 |
| Date | March 4, 2013 |
| Supersedes 07/01/11 | |

Table I

| B/M No. | HP | PH | RPM | "U" Dim. | Imp. Dia. | Imp. No. |
|---------------|----|----|------|----------|-----------|----------|
| B70206 | 20 | 3 | 3600 | 1-1/4" | 6.75" | M07705 |
| B70209 | 25 | 3 | 3600 | 1-1/4" | 7.25" | M07706 |
| B70212 | 30 | 3 | 3600 | 1-1/4" | 7.75" | M07707 |
| B70215 | 40 | 3 | 3600 | 1-1/4" | 8.62" | M07708 |
| B70218 | 50 | 3 | 3600 | 1-1/4" | 9.00" | M03380 |



| Item No. | Part Description | Part Number |
|----------|---------------------------------------|--------------|
| 1 | Case, Volute | H05130 |
| 2 | Impeller | See Table I |
| 13 | Rings, Packing (Set of 6) | S13470 |
| 14 | Sleeve, Shaft | S05149L |
| 17 | Gland, Packing | B82470 |
| 26 | Screw, Impeller 1/2 - 13 x 1-1/2" | S23623 |
| 32 | Key, 1/4 x 2-1/4" [See Note 1] | S23677 |
| 69 | Washer, Impeller | S06319 |
| 71 | Bracket | See Table II |
| 73 | O-Ring [See Note 2] | M14943 |
| 800A | Cap screw, 3/8 - 16 x 1" [8 Req.] | S26826 |
| 800B | Cap screw, 1/2 - 13 x 1-1/2" [4 Req.] | S26916 |
| 800C | Cap screw, 5/8 - 11 x 1-1/2" [4 Req.] | S26999 |
| 801 | Stud, 3/8 - 16 x 4" [2 Req.] | S08303 |
| 802 | Nut, Hex 3/8 - 16 [2 Req.] | S23343 |
| 805 | Washer, Lock | S23038 |
| 810 | Plug, Pipe 1/4 NPT [3 Req.] | S23715 |

Table II

| HP | PH | Bracket No. | "AK" Fit | "U" Dim. | Motor Frame |
|----|----|-------------|----------|----------|-------------|
| 20 | 3 | L03827 | 8-1/2" | 1-1/4" | 254JP |
| 25 | 3 | L03827 | 8-1/2" | 1-1/4" | 256JP |
| 30 | 3 | L01563 | 12-1/2" | 1-1/4" | 284JP |
| 40 | 3 | L01563 | 12-1/2" | 1-1/4" | 286JP |
| 50 | 3 | L01563 | 12-1/2" | 1-1/4" | 324JP |

NOTE 1: For an explanation of the tabulated material found on this page and for impeller key location, refer to **Supplement A** located at the beginning of this section.

NOTE 2: Also accepts gasket **S05126** as replacement for O-Ring. See **Supplement E** located at the beginning of this section.



BERKELEY® B3ZPLS

Cast Iron Impeller

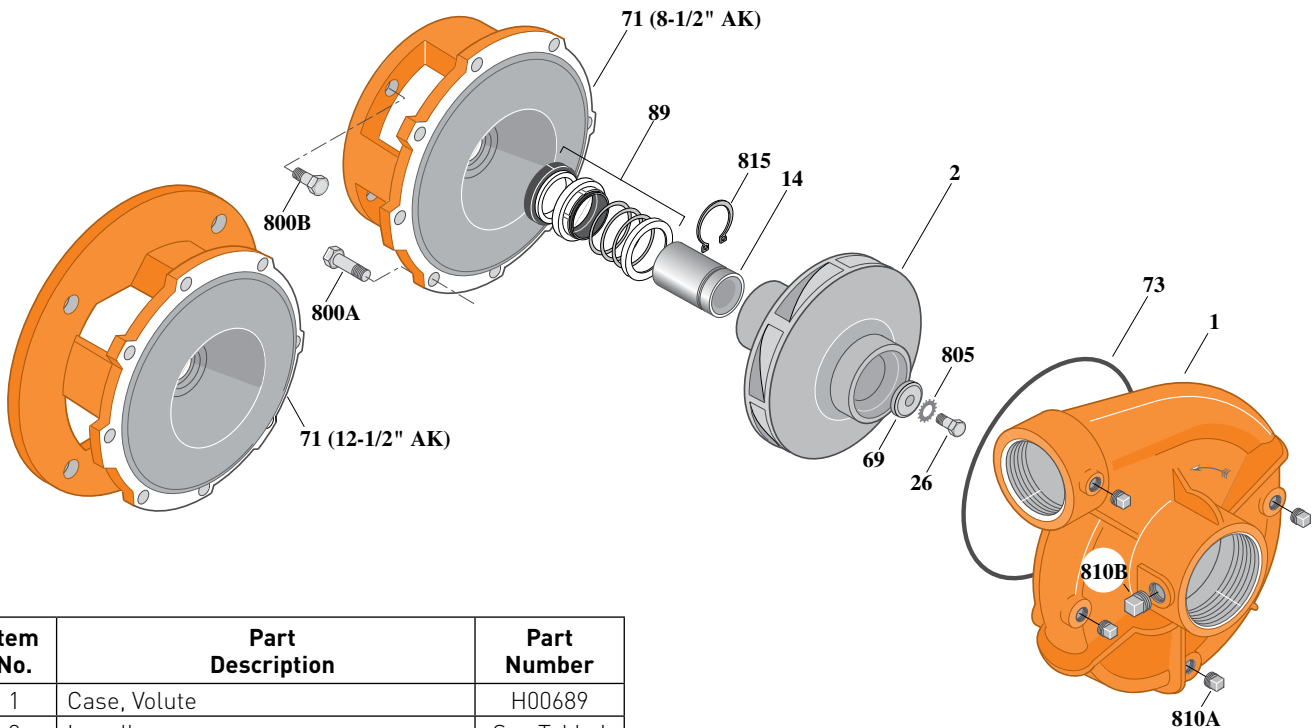
Threaded Case (NPT), Mechanical Shaft Seal Construction

ELECTRIC MOTOR DRIVE

| | |
|---------------------|---------------|
| Section | CC |
| Page | 180.3 |
| Date | March 4, 2013 |
| Supersedes 07/01/11 | |

Table I

| B/M No. | HP | PH | RPM | "U" Dim. | Imp. Dia. | Imp. No. |
|---------|----|----|------|----------|-----------|----------|
| B54112 | 20 | 3 | 3600 | 1-1/4" | 6.75" | M07705 |
| B54113 | 25 | 3 | 3600 | 1-1/4" | 7.25" | M07706 |
| B54114 | 30 | 3 | 3600 | 1-1/4" | 7.75" | M07707 |
| B54115 | 40 | 3 | 3600 | 1-1/4" | 8.62" | M07708 |
| B54116 | 50 | 3 | 3600 | 1-1/4" | 9.00" | M03380 |



| Item No. | Part Description | Part Number |
|----------|--|--------------|
| 1 | Case, Volute | H00689 |
| 2 | Impeller | See Table I |
| 14 | Sleeve, Shaft | S18869L |
| 26 | Screw, Impeller 1/2 - 13 x 1-1/2" | S23623 |
| 32 | Key, 1/4 x 2-1/4" [See Note 1] | S23677 |
| 69 | Washer, Impeller | S06319 |
| 71 | Bracket | See Table II |
| 73 | O-Ring [See Note 2] | M14943 |
| 89 | Seal, Mechanical Shaft | S32015 |
| 800A | Capscrew, 3/8 - 16 x 1" [8 Req.] | S26826 |
| 800B | Capscrew, 1/2 - 13 x 1" [4 Req.] (For 8-1/2 AK) | S26912 |
| 800B | Capscrew, 5/8 - 11 x 1-1/4" [4 Req.] (For 12-1/2 AK) | S26997 |
| 805 | Washer, Lock | S23038 |
| 810A | Plug, Pipe 1/4 NPT [4 Req.] | S23715 |
| 810B | Plug, Pipe 1/2 NPT | S23717 |
| 815 | Ring, Retaining | S16767 |

Table II

| HP | PH | Bracket No. | "AK" Fit | "U" Dim. | Motor Frame |
|----|----|-------------|----------|----------|-------------|
| 20 | 3 | L04615 | 8-1/2" | 1-1/4" | 254JM |
| 25 | 3 | L04615 | 8-1/2" | 1-1/4" | 256JM |
| 30 | 3 | L04627 | 12-1/2" | 1-1/4" | 284JM |
| 40 | 3 | L04627 | 12-1/2" | 1-1/4" | 286JM |
| 50 | 3 | L04627 | 12-1/2" | 1-1/4" | 324JM |

NOTE 1: For an explanation of the tabulated material found on this page and for impeller key location, refer to **Supplement A** located at the beginning of this section.

NOTE 2: Also accepts gasket **S05126** as replacement for O-Ring. See **Supplement E** located at the beginning of this section.



BERKELEY® B3ZPLS

Cast Iron Impeller

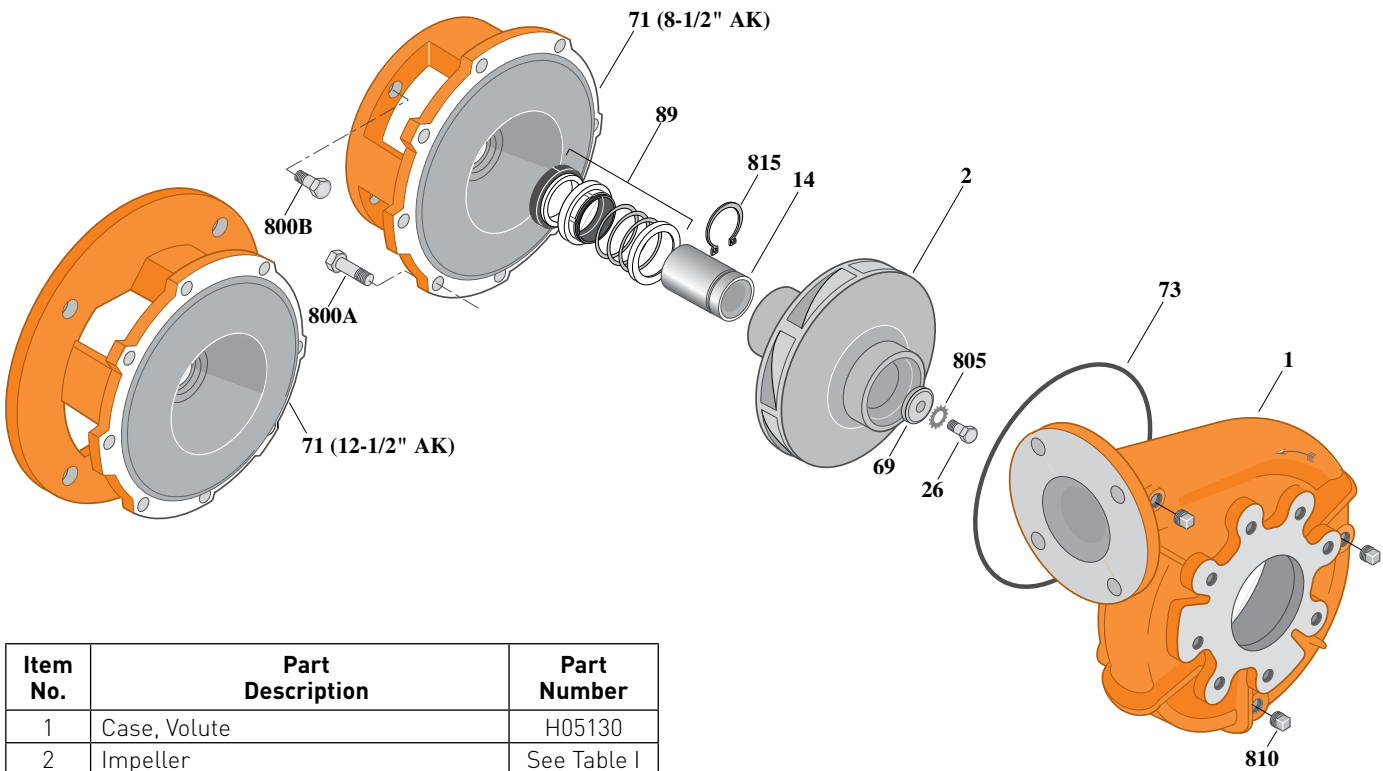
Flanged Case, Mechanical Shaft Seal Construction

ELECTRIC MOTOR DRIVE

| | |
|---------------------|---------------|
| Section | CC |
| Page | 180.4 |
| Date | March 4, 2013 |
| Supersedes 07/01/11 | |

Table I

| B/M No. | HP | PH | RPM | "U" Dim. | Imp. Dia. | Imp. No. |
|---------|----|----|------|----------|-----------|----------|
| B70221 | 20 | 3 | 3600 | 1-1/4" | 6.75" | M07705 |
| B70224 | 25 | 3 | 3600 | 1-1/4" | 7.25" | M07706 |
| B70227 | 30 | 3 | 3600 | 1-1/4" | 7.75" | M07707 |
| B70230 | 40 | 3 | 3600 | 1-1/4" | 8.62" | M07708 |
| B70233 | 50 | 3 | 3600 | 1-1/4" | 9.00" | M03380 |



| Item No. | Part Description | Part Number |
|----------|--|--------------|
| 1 | Case, Volute | H05130 |
| 2 | Impeller | See Table I |
| 14 | Sleeve, Shaft | S18869L |
| 26 | Screw, Impeller 1/2 - 13 x 1-1/2" | S23623 |
| 32 | Key, 1/4 x 2-1/4" [See Note 1] | S23677 |
| 69 | Washer, Impeller | S06319 |
| 71 | Bracket | See Table II |
| 73 | O-Ring [See Note 2] | M14943 |
| 89 | Seal, Mechanical Shaft | S32015 |
| 800A | Capscrew, 3/8 - 16 x 1" [8 Req.] | S26826 |
| 800B | Capscrew, 1/2 - 13 x 1" [4 Req.] (For 8-1/2 AK) | S26912 |
| 800B | Capscrew, 5/8 - 11 x 1-1/4" [4 Req.] (For 12-1/2 AK) | S26997 |
| 805 | Washer, Lock | S23038 |
| 810 | Plug, Pipe 1/4 NPT (3 Req.) | S23715 |
| 815 | Ring, Retaining | S16767 |

Table II

| HP | PH | Bracket No. | "AK" Fit | "U" Dim. | Motor Frame |
|----|----|-------------|----------|----------|-------------|
| 20 | 3 | L04615 | 8-1/2" | 1-1/4" | 254JM |
| 25 | 3 | L04615 | 8-1/2" | 1-1/4" | 256JM |
| 30 | 3 | L04627 | 12-1/2" | 1-1/4" | 284JM |
| 40 | 3 | L04627 | 12-1/2" | 1-1/4" | 286JM |
| 50 | 3 | L04627 | 12-1/2" | 1-1/4" | 324JM |

NOTE 1: For an explanation of the tabulated material found on this page and for impeller key location, refer to **Supplement A** located at the beginning of this section.

NOTE 2: Also accepts gasket **S05126** as replacement for O-Ring. See **Supplement E** located at the beginning of this section.



BERKELEY® B3ZPL

Bronze Impeller

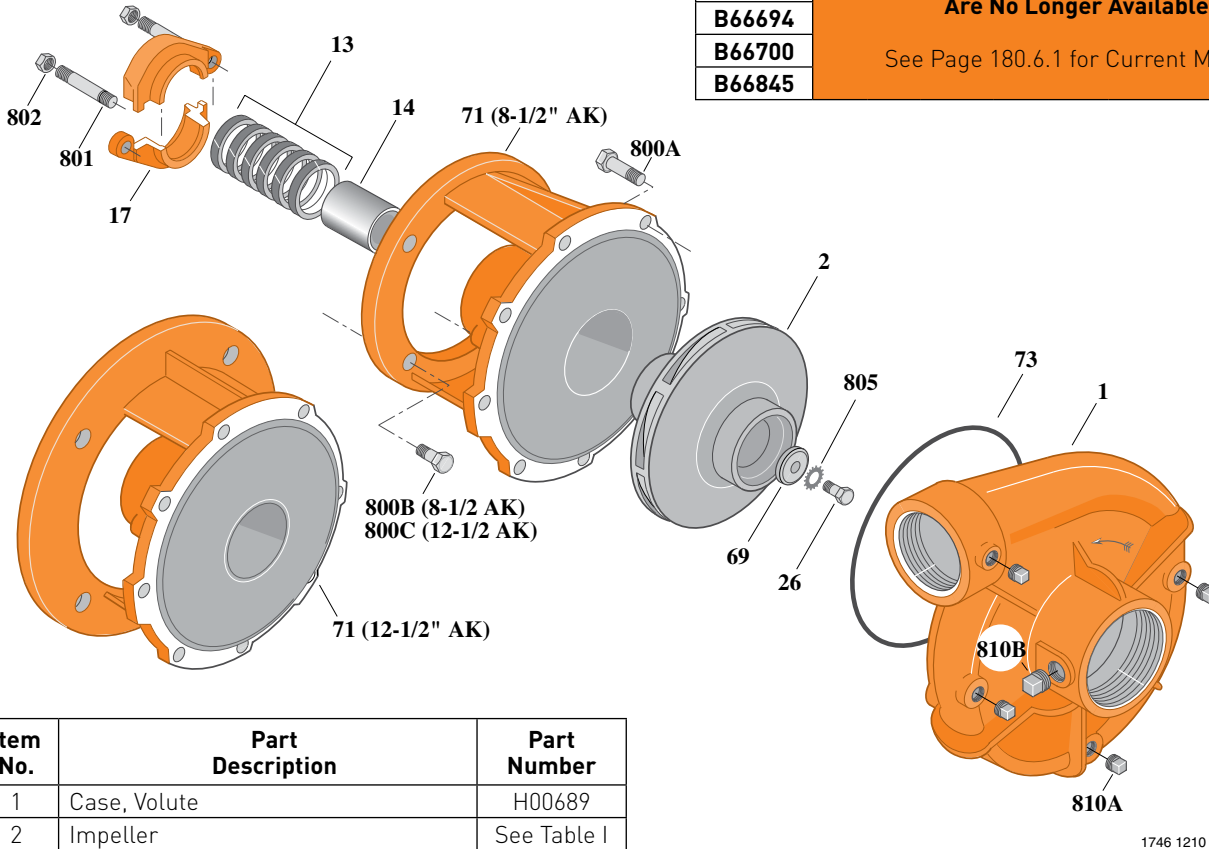
Threaded Case (NPT), Packing Construction

ELECTRIC MOTOR DRIVE

| | |
|---------------------|---------------|
| Section | CC |
| Page | 180.5 |
| Date | March 4, 2013 |
| Supersedes 07/01/11 | |

Table I

| B/M No. | HP | PH | RPM | "U" Dim. | Imp. Dia. | Imp. No. |
|---------------|---|----|-----|----------|-----------|----------|
| B66674 | These B/M Numbers Are No Longer Available. See Page 180.6.1 for Current Models. | | | | | |
| B66688 | | | | | | |
| B66694 | | | | | | |
| B66700 | | | | | | |
| B66845 | | | | | | |



| Item No. | Part Description | Part Number |
|----------|--------------------------------------|--------------|
| 1 | Case, Volute | H00689 |
| 2 | Impeller | See Table I |
| 13 | Rings, Packing (Set of 6) | S13470 |
| 14 | Sleeve, Shaft | S05149L |
| 17 | Gland, Packing | B82470 |
| 26 | Screw, Impeller 1/2 - 13 x 1-1/2" | S23623 |
| 32 | Key, 1/4 x 2-1/4" [See Note 1] | S23677 |
| 69 | Washer, Impeller | S06319 |
| 71 | Bracket | See Table II |
| 73 | O-Ring [See Note 2] | M14943 |
| 800A | Capscrew, 3/8 - 16 x 1-1/8" [8 Req.] | S26827 |
| 800B | Capscrew, 1/2 - 13 x 1-1/2" [4 Req.] | S26916 |
| 800C | Capscrew, 5/8 - 11 x 1-1/2" [4 Req.] | S26999 |
| 801 | Stud, 3/8 - 16 x 4" [2 Req.] | S08303 |
| 802 | Nut, Hex 3/8 - 16 [2 Req.] | S23343 |
| 805 | Washer, Lock | S23038 |
| 810A | Plug, Pipe 1/4 NPT [4 Req.] | S23715 |
| 810B | Plug, Pipe 1/2 NPT | S23717 |

Table II

| HP | PH | Bracket No. | "AK" Fit | "U" Dim. | Motor Frame |
|----|----|-------------|----------|----------|-------------|
| 20 | 3 | L03827 | 8-1/2" | 1-1/4" | 254JP |
| 25 | 3 | L03827 | 8-1/2" | 1-1/4" | 256JP |
| 30 | 3 | L01563 | 12-1/2" | 1-1/4" | 284JP |
| 40 | 3 | L01563 | 12-1/2" | 1-1/4" | 286JP |
| 50 | 3 | L01563 | 12-1/2" | 1-1/4" | 324JP |

NOTE 1: For an explanation of the tabulated material found on this page and for impeller key location, refer to **Supplement A** located at the beginning of this section.

NOTE 2: Also accepts gasket **S05126** as replacement for O-Ring. See **Supplement E** located at the beginning of this section.



BERKELEY® B3ZPL

Bronze Impeller

Flanged Case, Packing Construction

ELECTRIC MOTOR DRIVE

| | |
|---------------------|---------------|
| Section | CC |
| Page | 180.6 |
| Date | March 4, 2013 |
| Supersedes 07/01/11 | |

Table I

| B/M No. | HP | PH | RPM | "U" Dim. | Imp. Dia. | Imp. No. |
|---------------|----|----|------|----------|-----------|----------|
| B70181 | 20 | 3 | 3600 | 1-1/4" | 6.75" | L06598 |
| B70184 | 25 | 3 | 3600 | 1-1/4" | 7.25" | L06599 |
| B70187 | 30 | 3 | 3600 | 1-1/4" | 7.75" | L06600 |
| B70190 | 40 | 3 | 3600 | 1-1/4" | 8.62" | L06601 |
| B70193 | 50 | 3 | 3600 | 1-1/4" | 9.00" | L06659 |

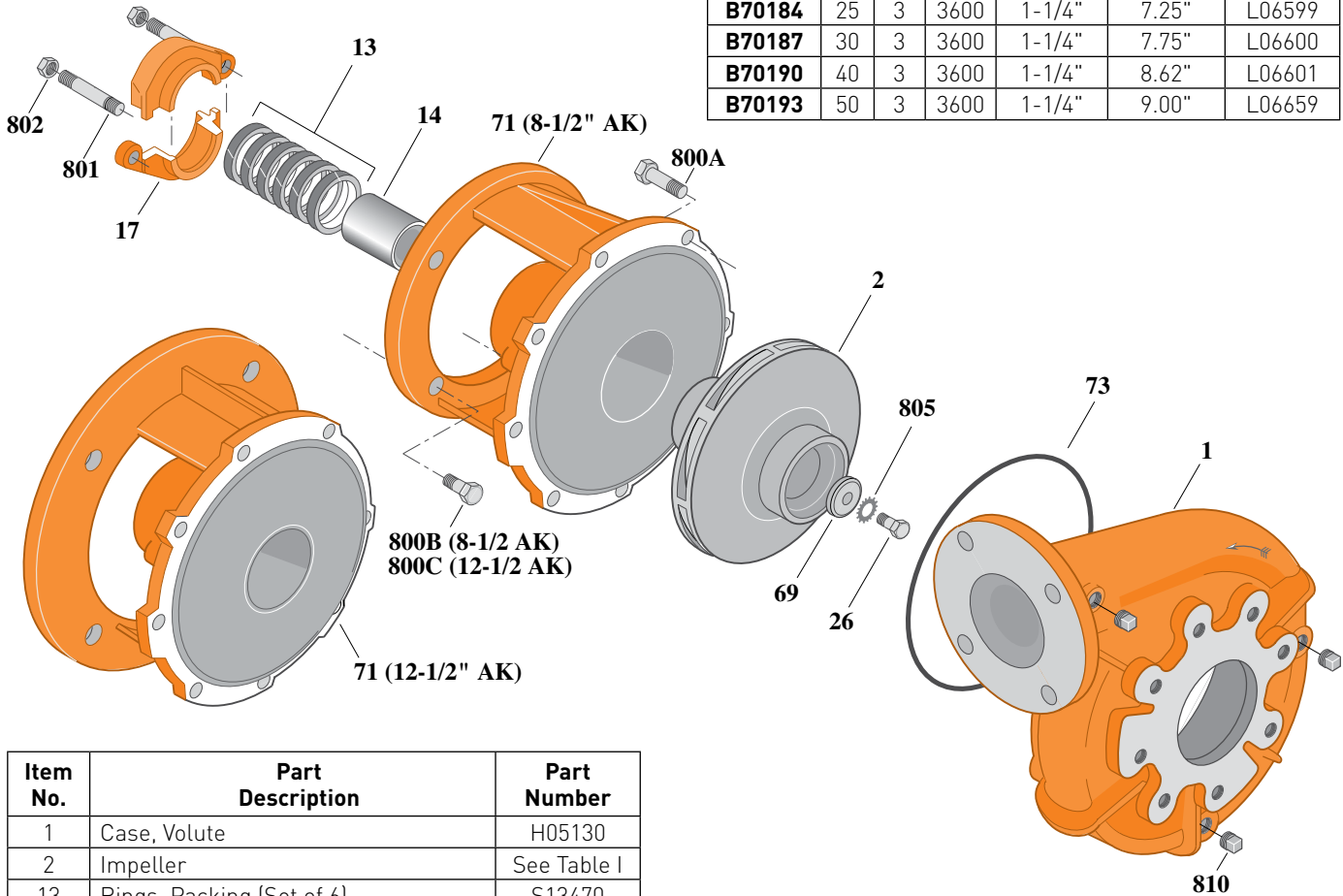


Table II

| HP | PH | Bracket No. | "AK" Fit | "U" Dim. | Motor Frame |
|----|----|-------------|----------|----------|-------------|
| 20 | 3 | L03827 | 8-1/2" | 1-1/4" | 254JP |
| 25 | 3 | L03827 | 8-1/2" | 1-1/4" | 256JP |
| 30 | 3 | L01563 | 12-1/2" | 1-1/4" | 284JP |
| 40 | 3 | L01563 | 12-1/2" | 1-1/4" | 286JP |
| 50 | 3 | L01563 | 12-1/2" | 1-1/4" | 324JP |

| Item No. | Part Description | Part Number |
|----------|--------------------------------------|--------------|
| 1 | Case, Volute | H05130 |
| 2 | Impeller | See Table I |
| 13 | Rings, Packing (Set of 6) | S13470 |
| 14 | Sleeve, Shaft | S05149L |
| 17 | Gland, Packing | B82470 |
| 26 | Screw, Impeller 1/2 - 13 x 1-1/2" | S23623 |
| 32 | Key, 1/4 x 2-1/4" [See Note 2] | S23677 |
| 69 | Washer, Impeller | S06319 |
| 71 | Bracket | See Table II |
| 73 | O-Ring [See Note 2] | M14943 |
| 800A | Capscrew, 3/8 - 16 x 1" [8 Req.] | S26826 |
| 800B | Capscrew, 1/2 - 13 x 1-1/2" [4 Req.] | S26916 |
| 800C | Capscrew, 5/8 - 11 x 1-1/2" [4 Req.] | S26999 |
| 801 | Stud, 3/8 - 16 x 4" [2 Req.] | S08303 |
| 802 | Nut, Hex 3/8 - 16 [2 Req.] | S23343 |
| 805 | Washer, Lock | S23038 |
| 810 | Plug, Pipe 1/4 NPT [3 Req.] | S23715 |

NOTE 1: For an explanation of the tabulated material found on this page and for impeller key location, refer to **Supplement A** located at the beginning of this section.

NOTE 2: Also accepts gasket **S05126** as replacement for O-Ring. See **Supplement E** located at the beginning of this section.



BERKELEY® B3ZPL

Silicon Bronze Impeller

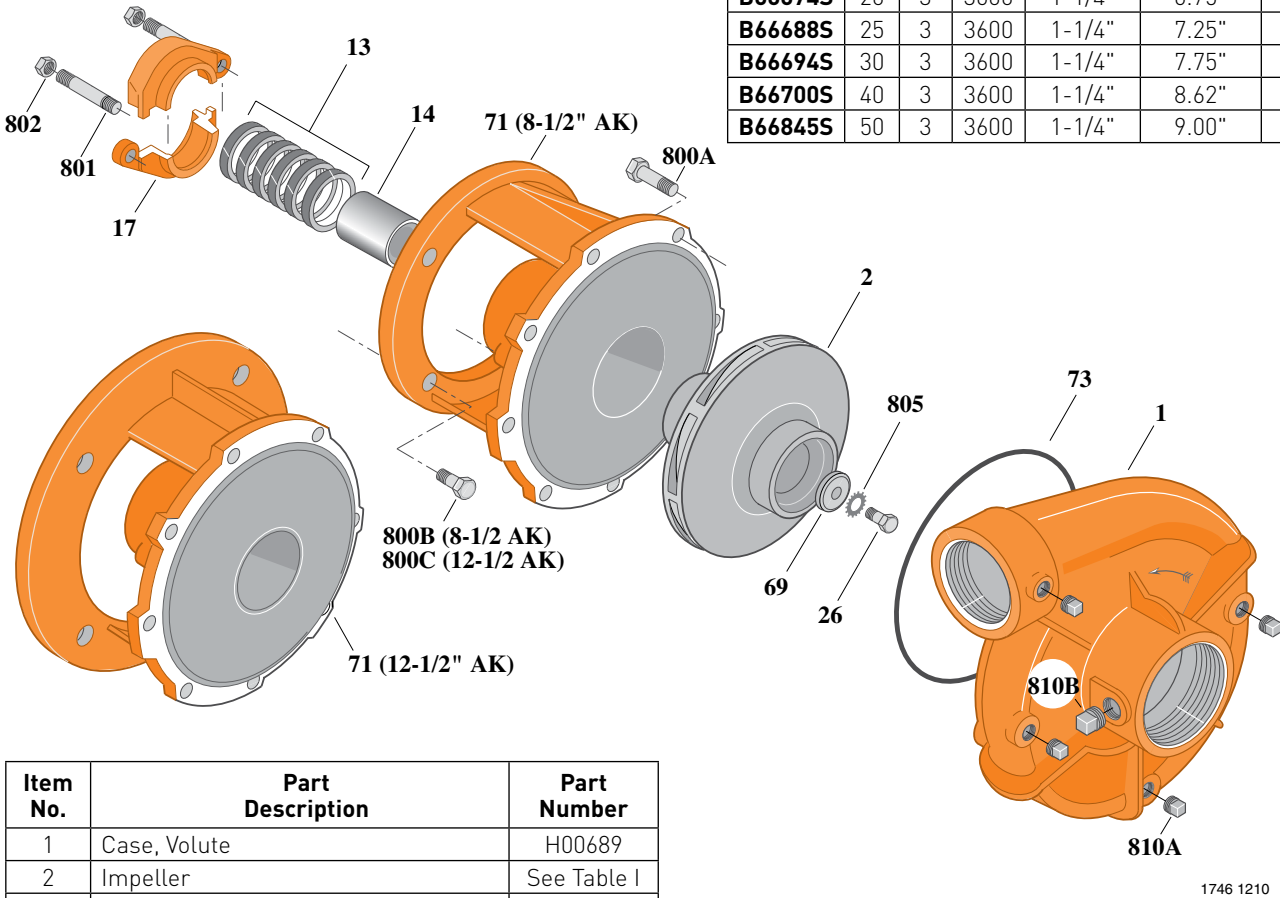
Threaded Case (NPT), Packing Construction

ELECTRIC MOTOR DRIVE

| | |
|---------------------|---------------|
| Section | CC |
| Page | 180.6.1 |
| Date | March 4, 2013 |
| Supersedes 07/01/11 | |

Table I

| B/M No. | HP | PH | RPM | "U" Dim. | Imp. Dia. | Imp. No. |
|---------|----|----|------|----------|-----------|----------|
| B66674S | 20 | 3 | 3600 | 1-1/4" | 6.75" | H05484 |
| B66688S | 25 | 3 | 3600 | 1-1/4" | 7.25" | H05485 |
| B66694S | 30 | 3 | 3600 | 1-1/4" | 7.75" | H05486 |
| B66700S | 40 | 3 | 3600 | 1-1/4" | 8.62" | H05487 |
| B66845S | 50 | 3 | 3600 | 1-1/4" | 9.00" | H05488 |



| Item No. | Part Description | Part Number |
|----------|--------------------------------------|--------------|
| 1 | Case, Volute | H00689 |
| 2 | Impeller | See Table I |
| 13 | Rings, Packing (Set of 6) | S13470 |
| 14 | Sleeve, Shaft | S05149L |
| 17 | Gland, Packing | B82470 |
| 26 | Screw, Impeller 1/2 - 13 x 1-1/2" | S23623 |
| 32 | Key, 1/4 x 2-1/4" (See Note 1) | S23677 |
| 69 | Washer, Impeller | S06319 |
| 71 | Bracket | See Table II |
| 73 | O-Ring (See Note 2) | M14943 |
| 800A | Capscrew, 3/8 - 16 x 1-1/8" [8 Req.] | S26827 |
| 800B | Capscrew, 1/2 - 13 x 1-1/2" [4 Req.] | S26916 |
| 800C | Capscrew, 5/8 - 11 x 1-1/2" [4 Req.] | S26999 |
| 801 | Stud, 3/8 - 16 x 4" [2 Req.] | S08303 |
| 802 | Nut, Hex 3/8 - 16 [2 Req.] | S23343 |
| 805 | Washer, Lock | S23038 |
| 810A | Plug, Pipe 1/4 NPT [4 Req.] | S23715 |
| 810B | Plug, Pipe 1/2 NPT | S23717 |

Table II

| HP | PH | Bracket No. | "AK" Fit | "U" Dim. | Motor Frame |
|----|----|-------------|----------|----------|-------------|
| 20 | 3 | L03827 | 8-1/2" | 1-1/4" | 254JP |
| 25 | 3 | L03827 | 8-1/2" | 1-1/4" | 256JP |
| 30 | 3 | L01563 | 12-1/2" | 1-1/4" | 284JP |
| 40 | 3 | L01563 | 12-1/2" | 1-1/4" | 286JP |
| 50 | 3 | L01563 | 12-1/2" | 1-1/4" | 324JP |

NOTE 1: For an explanation of the tabulated material found on this page and for impeller key location, refer to **Supplement A** located at the beginning of this section.

NOTE 2: Also accepts gasket **S05126** as replacement for O-Ring. See **Supplement E** located at the beginning of this section.



BERKELEY® B3ZPL

Silicon Bronze Impeller

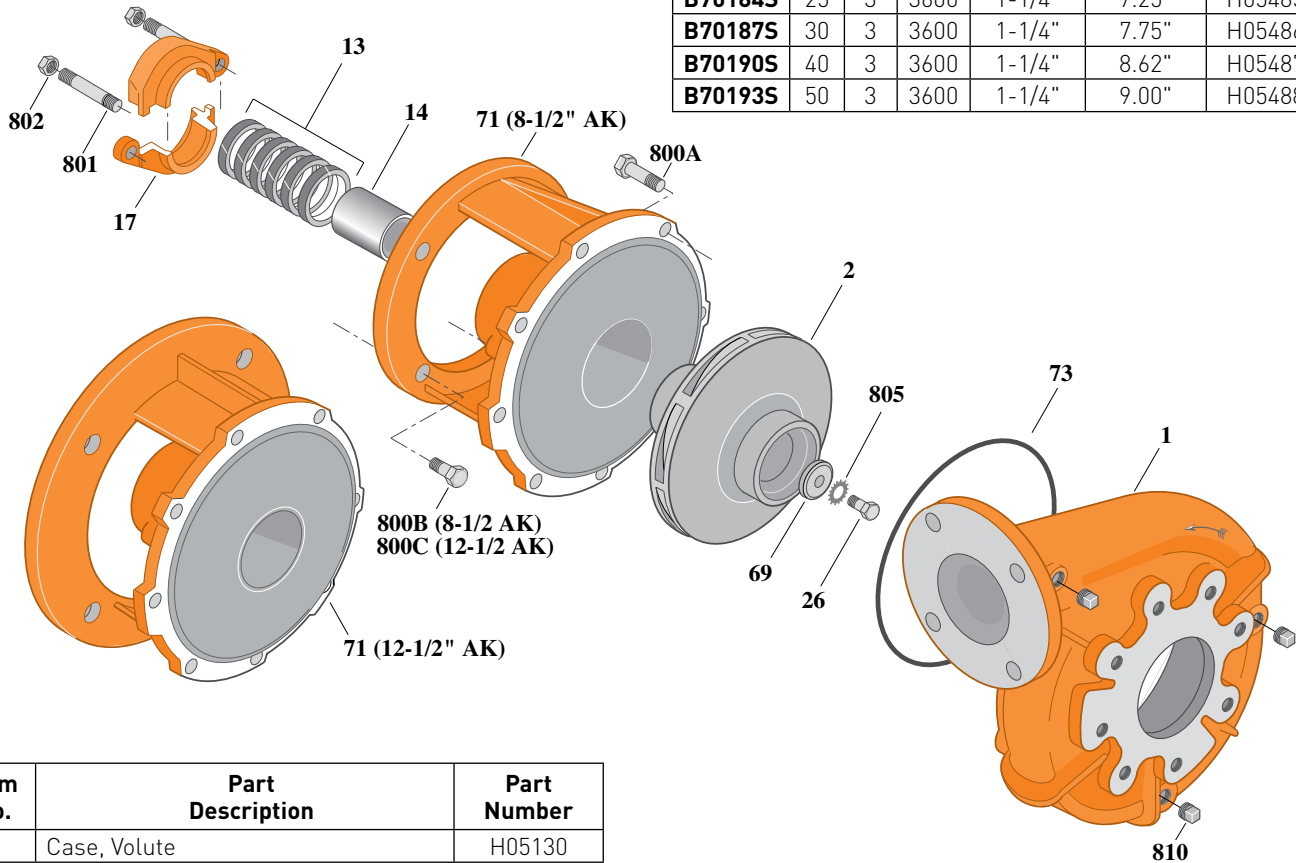
Flanged Case, Packing Construction

ELECTRIC MOTOR DRIVE

| | |
|---------------------|---------------|
| Section | CC |
| Page | 180.6.2 |
| Date | March 4, 2013 |
| Supersedes 07/01/11 | |

Table I

| B/M No. | HP | PH | RPM | "U" Dim. | Imp. Dia. | Imp. No. |
|---------|----|----|------|----------|-----------|----------|
| B70181S | 20 | 3 | 3600 | 1-1/4" | 6.75" | H05484 |
| B70184S | 25 | 3 | 3600 | 1-1/4" | 7.25" | H05485 |
| B70187S | 30 | 3 | 3600 | 1-1/4" | 7.75" | H05486 |
| B70190S | 40 | 3 | 3600 | 1-1/4" | 8.62" | H05487 |
| B70193S | 50 | 3 | 3600 | 1-1/4" | 9.00" | H05488 |



1747 1210

| Item No. | Part Description | Part Number |
|----------|--------------------------------------|--------------|
| 1 | Case, Volute | H05130 |
| 2 | Impeller | See Table I |
| 13 | Rings, Packing (Set of 6) | S13470 |
| 14 | Sleeve, Shaft | S05149L |
| 17 | Gland, Packing | B82470 |
| 26 | Screw, Impeller 1/2 - 13 x 1-1/2" | S23623 |
| 32 | Key, 1/4 x 2-1/4" [See Note 1] | S23677 |
| 69 | Washer, Impeller | S06319 |
| 71 | Bracket | See Table II |
| 73 | O-Ring [See Note 2] | M14943 |
| 800A | Capscrew, 3/8 - 16 x 1" [8 Req.] | S26826 |
| 800B | Capscrew, 1/2 - 13 x 1-1/2" [4 Req.] | S26916 |
| 800C | Capscrew, 5/8 - 11 x 1-1/2" [4 Req.] | S26999 |
| 801 | Stud, 3/8 - 16 x 4" [2 Req.] | S08303 |
| 802 | Nut, Hex 3/8 - 16 [2 Req.] | S23343 |
| 805 | Washer, Lock | S23038 |
| 810 | Plug, Pipe 1/4 NPT [3 Req.] | S23715 |

Table II

| HP | PH | Bracket No. | "AK" Fit | "U" Dim. | Motor Frame |
|----|----|-------------|----------|----------|-------------|
| 20 | 3 | L03827 | 8-1/2" | 1-1/4" | 254JP |
| 25 | 3 | L03827 | 8-1/2" | 1-1/4" | 256JP |
| 30 | 3 | L01563 | 12-1/2" | 1-1/4" | 284JP |
| 40 | 3 | L01563 | 12-1/2" | 1-1/4" | 286JP |
| 50 | 3 | L01563 | 12-1/2" | 1-1/4" | 324JP |

NOTE 1: For an explanation of the tabulated material found on this page and for impeller key location, refer to **Supplement A** located at the beginning of this section.

NOTE 2: Also accepts gasket **S05126** as replacement for O-Ring. See **Supplement E** located at the beginning of this section.



BERKELEY® B3ZPLS

Bronze Impeller

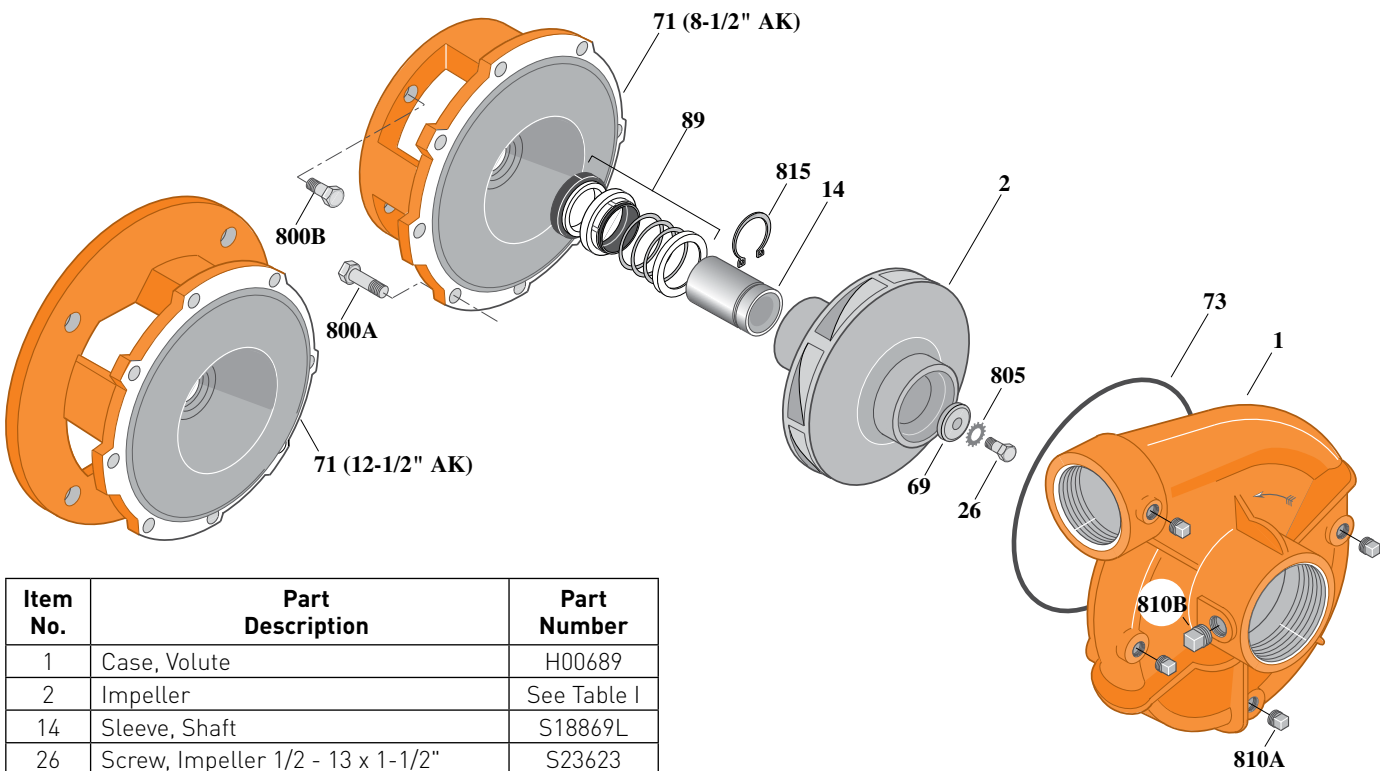
Threaded Case (NPT), Mechanical Shaft Seal Construction

ELECTRIC MOTOR DRIVE

| | |
|---------------------|---------------|
| Section | CC |
| Page | 180.7 |
| Date | March 4, 2013 |
| Supersedes 07/01/11 | |

Table I

| B/M No. | HP | PH | RPM | "U" Dim. | Imp. Dia. | Imp. No. |
|---------------|---|----|-----|----------|-----------|----------|
| B66675 | These B/M Numbers Are No Longer Available. See Page 180.8.1 for Current Models. | | | | | |
| B66689 | | | | | | |
| B66695 | | | | | | |
| B66701 | | | | | | |
| B66847 | | | | | | |



| Item No. | Part Description | Part Number |
|----------|--|--------------|
| 1 | Case, Volute | H00689 |
| 2 | Impeller | See Table I |
| 14 | Sleeve, Shaft | S18869L |
| 26 | Screw, Impeller 1/2 - 13 x 1-1/2" | S23623 |
| 32 | Key, 1/4 x 2-1/4" [See Note 1] | S23677 |
| 69 | Washer, Impeller | S06319 |
| 71 | Bracket | See Table II |
| 73 | O-Ring [See Note 2] | M14943 |
| 89 | Seal, Mechanical Shaft | S32015 |
| 800A | Capscrew, 3/8 - 16 x 1" [8 Req.] | S26826 |
| 800B | Capscrew, 1/2 - 13 x 1" [4 Req.] [For 8-1/2 AK] | S26912 |
| 800B | Capscrew, 5/8 - 11 x 1-1/4" [4 Req.] [For 12-1/2 AK] | S26997 |
| 805 | Washer, Lock | S23038 |
| 810A | Plug, Pipe 1/4 NPT [4 Req.] | S23715 |
| 810B | Plug, Pipe 1/2 NPT | S23717 |
| 815 | Ring, Retaining | S16767 |
| 73 | O-Ring [See Note 2] | M14943 |

Table II

| HP | PH | Bracket No. | "AK" Fit | "U" Dim. | Motor Frame |
|----|----|-------------|----------|----------|-------------|
| 20 | 3 | L04615 | 8-1/2" | 1-1/4" | 254JM |
| 25 | 3 | L04615 | 8-1/2" | 1-1/4" | 256JM |
| 30 | 3 | L04627 | 12-1/2" | 1-1/4" | 284JM |
| 40 | 3 | L04627 | 12-1/2" | 1-1/4" | 286JM |
| 50 | 3 | L04627 | 12-1/2" | 1-1/4" | 324JM |

NOTE 1: For an explanation of the tabulated material found on this page and for impeller key location, refer to **Supplement A** located at the beginning of this section.

NOTE 2: Also accepts gasket **S05126** as replacement for O-Ring. See **Supplement E** located at the beginning of this section.



BERKELEY® B3ZPLS

Bronze Impeller

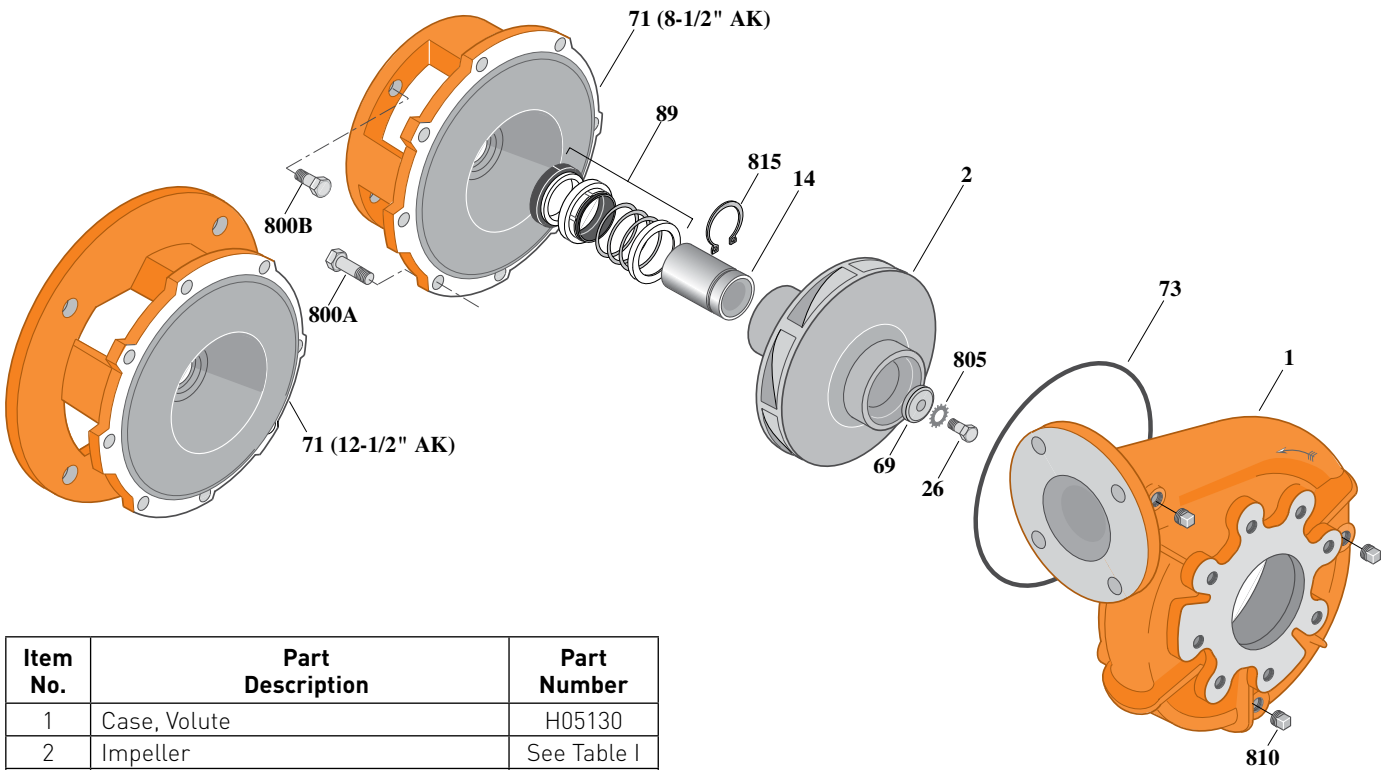
Flanged Case, Mechanical Shaft Seal Construction

ELECTRIC MOTOR DRIVE

| | |
|---------------------|---------------|
| Section | CC |
| Page | 180.8 |
| Date | March 4, 2013 |
| Supersedes 07/01/11 | |

Table I

| B/M No. | HP | PH | RPM | "U" Dim. | Imp. Dia. | Imp. No. |
|---------|----|----|------|----------|-----------|----------|
| B70196 | 20 | 3 | 3600 | 1-1/4" | 6.75" | L06598 |
| B70198 | 25 | 3 | 3600 | 1-1/4" | 7.25" | L06599 |
| B70200 | 30 | 3 | 3600 | 1-1/4" | 7.75" | L06600 |
| B70202 | 40 | 3 | 3600 | 1-1/4" | 8.62" | L06601 |
| B70204 | 50 | 3 | 3600 | 1-1/4" | 9.00" | L06659 |



| Item No. | Part Description | Part Number |
|----------|--|--------------|
| 1 | Case, Volute | H05130 |
| 2 | Impeller | See Table I |
| 14 | Sleeve, Shaft | S18869L |
| 26 | Screw, Impeller 1/2 - 13 x 1-1/2" | S23623 |
| 32 | Key, 1/4 x 2-1/4" [See Note 1] | S23677 |
| 69 | Washer, Impeller | S06319 |
| 71 | Bracket | See Table II |
| 73 | O-Ring [See Note 2] | M14943 |
| 89 | Seal, Mechanical Shaft | S32015 |
| 800A | Capscrew, 3/8 - 16 x 1" [8 Req.] | S26826 |
| 800B | Capscrew, 1/2 - 13 x 1" [4 Req.] [For 8-1/2 AK] | S26912 |
| 800B | Capscrew, 5/8 - 11 x 1-1/4" [4 Req.] [For 12-1/2 AK] | S26997 |
| 805 | Washer, Lock | S23038 |
| 810 | Plug, Pipe 1/4 NPT [3 Req.] | S23715 |
| 815 | Ring, Retaining | S16767 |

Table II

| HP | PH | Bracket No. | "AK" Fit | "U" Dim. | Motor Frame |
|----|----|-------------|----------|----------|-------------|
| 20 | 3 | L04615 | 8-1/2" | 1-1/4" | 254JM |
| 25 | 3 | L04615 | 8-1/2" | 1-1/4" | 256JM |
| 30 | 3 | L04627 | 12-1/2" | 1-1/4" | 284JM |
| 40 | 3 | L04627 | 12-1/2" | 1-1/4" | 286JM |
| 50 | 3 | L04627 | 12-1/2" | 1-1/4" | 324JM |

NOTE 1: For an explanation of the tabulated material found on this page and for impeller key location, refer to **Supplement A** located at the beginning of this section.

NOTE 2: Also accepts gasket **S05126** as replacement for O-Ring. See **Supplement E** located at the beginning of this section.



BERKELEY® B3ZPLS Silicon Bronze Impeller

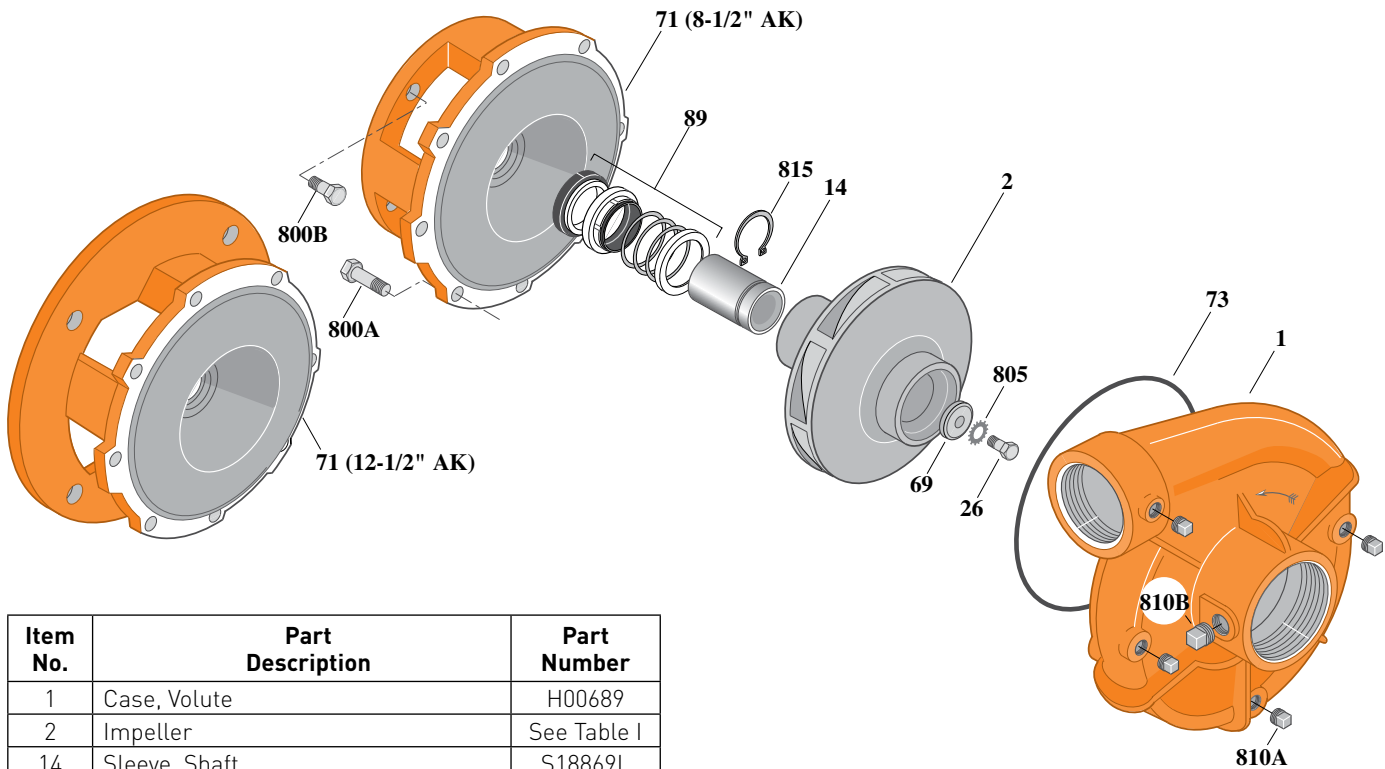
Threaded Case (NPT), Mechanical Shaft Seal Construction

ELECTRIC MOTOR DRIVE

| | |
|---------------------|---------------|
| Section | CC |
| Page | 180.8.1 |
| Date | March 4, 2013 |
| Supersedes 07/01/11 | |

Table I

| B/M No. | HP | PH | RPM | "U" Dim. | Imp. Dia. | Imp. No. |
|----------------|----|----|------|----------|-----------|----------|
| B66675S | 20 | 3 | 3600 | 1-1/4" | 6.75" | H05484 |
| B66689S | 25 | 3 | 3600 | 1-1/4" | 7.25" | H05485 |
| B66695S | 30 | 3 | 3600 | 1-1/4" | 7.75" | H05486 |
| B66701S | 40 | 3 | 3600 | 1-1/4" | 8.62" | H05487 |
| B66847S | 50 | 3 | 3600 | 1-1/4" | 9.00" | H05488 |



| Item No. | Part Description | Part Number |
|----------|--|--------------|
| 1 | Case, Volute | H00689 |
| 2 | Impeller | See Table I |
| 14 | Sleeve, Shaft | S18869L |
| 26 | Screw, Impeller 1/2 - 13 x 1-1/2" | S23623 |
| 32 | Key, 1/4 x 2-1/4" [See Note 1] | S23677 |
| 69 | Washer, Impeller | S06319 |
| 71 | Bracket | See Table II |
| 73 | O-Ring [See Note 2] | M14943 |
| 89 | Seal, Mechanical Shaft | S32015 |
| 800A | Capscrew, 3/8 - 16 x 1" [8 Req.] | S26826 |
| 800B | Capscrew, 1/2 - 13 x 1" [4 Req.] [For 8-1/2 AK] | S26912 |
| 800B | Capscrew, 5/8 - 11 x 1-1/4" [4 Req.] [For 12-1/2 AK] | S26997 |
| 805 | Washer, Lock | S23038 |
| 810A | Plug, Pipe 1/4 NPT [4 Req.] | S23715 |
| 810B | Plug, Pipe 1/2 NPT | S23717 |
| 815 | Ring, Retaining | S16767 |

Table II

| HP | PH | Bracket No. | "AK" Fit | "U" Dim. | Motor Frame |
|----|----|-------------|----------|----------|-------------|
| 20 | 3 | L04615 | 8-1/2" | 1-1/4" | 254JM |
| 25 | 3 | L04615 | 8-1/2" | 1-1/4" | 256JM |
| 30 | 3 | L04627 | 12-1/2" | 1-1/4" | 284JM |
| 40 | 3 | L04627 | 12-1/2" | 1-1/4" | 286JM |
| 50 | 3 | L04627 | 12-1/2" | 1-1/4" | 324JM |

NOTE 1: For an explanation of the tabulated material found on this page and for impeller key location, refer to **Supplement A** located at the beginning of this section.

NOTE 2: Also accepts gasket **S05126** as replacement for O-Ring. See **Supplement E** located at the beginning of this section.



BERKELEY® B3ZPLS Silicon Bronze Impeller

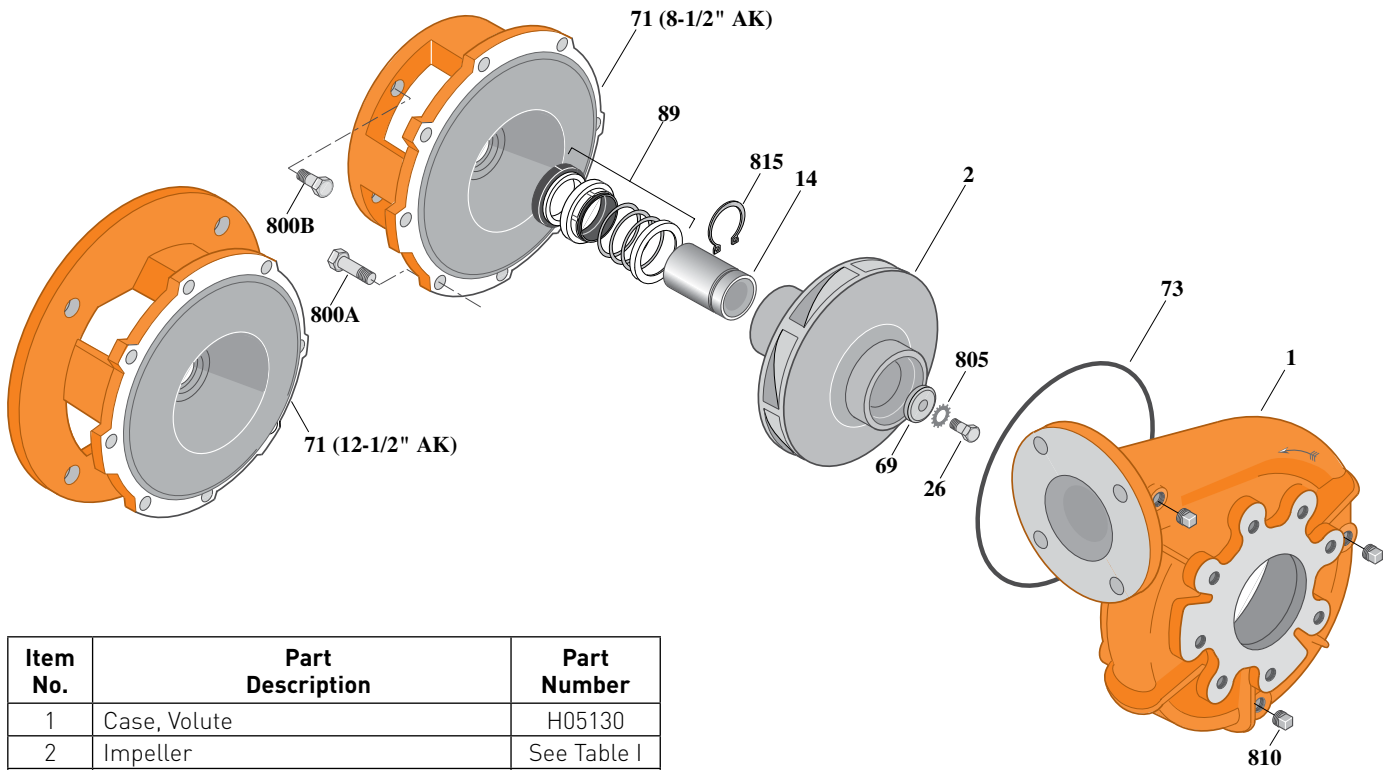
Flanged Case, Mechanical Shaft Seal Construction

ELECTRIC MOTOR DRIVE

| | |
|---------------------|---------------|
| Section | CC |
| Page | 180.8.2 |
| Date | March 4, 2013 |
| Supersedes 07/01/11 | |

Table I

| B/M No. | HP | PH | RPM | "U" Dim. | Imp. Dia. | Imp. No. |
|---------|----|----|------|----------|-----------|----------|
| B70196S | 20 | 3 | 3600 | 1-1/4" | 6.75" | H05484 |
| B70198S | 25 | 3 | 3600 | 1-1/4" | 7.25" | H05485 |
| B70200S | 30 | 3 | 3600 | 1-1/4" | 7.75" | H05486 |
| B70202S | 40 | 3 | 3600 | 1-1/4" | 8.62" | H05487 |
| B70204S | 50 | 3 | 3600 | 1-1/4" | 9.00" | H05488 |



| Item No. | Part Description | Part Number |
|----------|---|--------------|
| 1 | Case, Volute | H05130 |
| 2 | Impeller | See Table I |
| 14 | Sleeve, Shaft | S18869L |
| 26 | Screw, Impeller 1/2 - 13 x 1-1/2" | S23623 |
| 32 | Key, 1/4 x 2-1/4" [See Note 1] | S23677 |
| 69 | Washer, Impeller | S06319 |
| 71 | Bracket | See Table II |
| 73 | O-Ring [See Note 2] | M14943 |
| 89 | Seal, Mechanical Shaft | S32015 |
| 800A | Capscrew, 3/8 - 16 x 1" [8 Req.] | S26826 |
| 800B | Capscrew, 1/2 - 13 x 1" [4 Req.] [For 8-1/2 AK] | S26912 |
| 800B | Capscrew, 5/8 - 11 x 1-1/4" [4 Req.] [For 12-1/2 AK] | S26997 |
| 805 | Washer, Lock | S23038 |
| 810 | Plug, Pipe 1/4 NPT [3 Req.] | S23715 |
| 815 | Ring, Retaining | S16767 |

Table II

| HP | PH | Bracket No. | "AK" Fit | "U" Dim. | Motor Frame |
|----|----|-------------|----------|----------|-------------|
| 20 | 3 | L04615 | 8-1/2" | 1-1/4" | 254JM |
| 25 | 3 | L04615 | 8-1/2" | 1-1/4" | 256JM |
| 30 | 3 | L04627 | 12-1/2" | 1-1/4" | 284JM |
| 40 | 3 | L04627 | 12-1/2" | 1-1/4" | 286JM |
| 50 | 3 | L04627 | 12-1/2" | 1-1/4" | 324JM |

NOTE 1: For an explanation of the tabulated material found on this page and for impeller key location, refer to **Supplement A** located at the beginning of this section.

NOTE 2: Also accepts gasket **S05126** as replacement for O-Ring. See **Supplement E** located at the beginning of this section.



BERKELEY® B3ZPL

Silicon Bronze Impeller

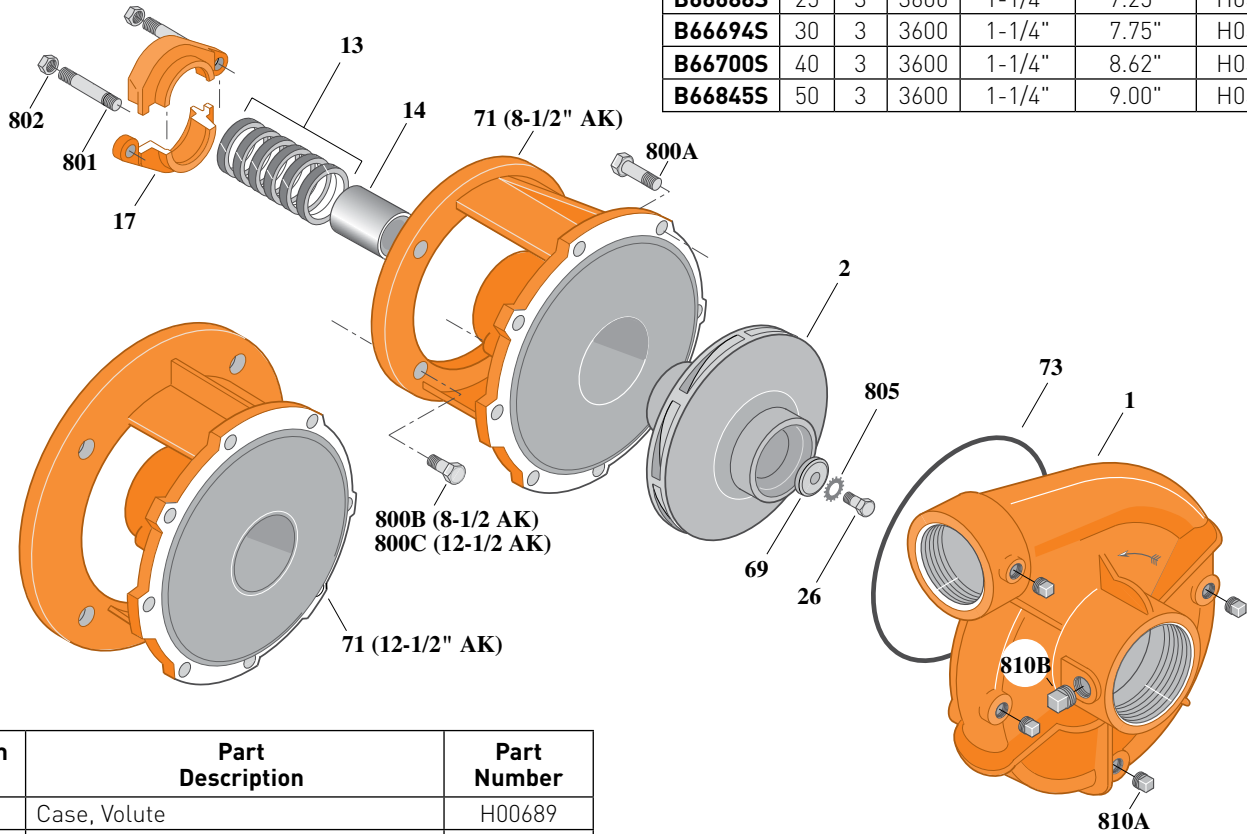
Threaded Case (NPT), Packing Construction

ELECTRIC MOTOR DRIVE

| | |
|---------------------|---------------|
| Section | CC |
| Page | 180.9 |
| Date | March 4, 2013 |
| Supersedes 07/01/11 | |

Table I

| B/M No. | HP | PH | RPM | "U" Dim. | Imp. Dia. | Imp. No. |
|----------------|----|----|------|----------|-----------|----------|
| B66674S | 20 | 3 | 3600 | 1-1/4" | 6.75" | H05484 |
| B66688S | 25 | 3 | 3600 | 1-1/4" | 7.25" | H05485 |
| B66694S | 30 | 3 | 3600 | 1-1/4" | 7.75" | H05486 |
| B66700S | 40 | 3 | 3600 | 1-1/4" | 8.62" | H05487 |
| B66845S | 50 | 3 | 3600 | 1-1/4" | 9.00" | H05488 |



1746 1210

| Item No. | Part Description | Part Number |
|----------|--------------------------------------|--------------|
| 1 | Case, Volute | H00689 |
| 2 | Impeller | See Table I |
| 13 | Rings, Packing (Set of 6) | S13470 |
| 14 | Sleeve, Shaft | S05149L |
| 17 | Gland, Packing | B82470 |
| 26 | Screw, Impeller 1/2 - 13 x 1-1/2" | S23623 |
| 32 | Key, 1/4 x 2-1/4" (See Note 1) | S23677 |
| 69 | Washer, Impeller | S06319 |
| 71 | Bracket | See Table II |
| 73 | O-Ring (See Note 2) | M14943 |
| 800A | Capscrew, 3/8 - 16 x 1" (8 Req.) | S26826 |
| 800B | Capscrew, 1/2 - 13 x 1-1/2" (4 Req.) | S26916 |
| 800C | Capscrew, 5/8 - 11 x 1-1/2" (4 Req.) | S26999 |
| 801 | Stud, 3/8 - 16 x 4" (2 Req.) | S08303 |
| 802 | Nut, Hex 3/8 - 16 (2 Req.) | S23343 |
| 805 | Washer, Lock | S23038 |
| 810A | Plug, Pipe 1/4" NPT (4 Req.) | S23715 |
| 810B | Plug, Pipe 1/2" NPT | S23717 |

Table II

| HP | PH | Bracket No. | "AK" Fit | "U" Dim. | Motor Frame |
|----|----|-------------|----------|----------|-------------|
| 20 | 3 | L03827 | 8-1/2" | 1-1/4" | 254JP |
| 25 | 3 | L03827 | 8-1/2" | 1-1/4" | 256JP |
| 30 | 3 | L01563 | 12-1/2" | 1-1/4" | 284JP |
| 40 | 3 | L01563 | 12-1/2" | 1-1/4" | 286JP |
| 50 | 3 | L01563 | 12-1/2" | 1-1/4" | 324JP |

NOTE 1: For an explanation of the tabulated material found on this page and for impeller key location, refer to **Supplement A** located at the beginning of this section.

NOTE 2: Also accepts gasket **S05126** as replacement for O-Ring. See **Supplement E** located at the beginning of this section.



BERKELEY® B3ZPL

Silicon Bronze Impeller

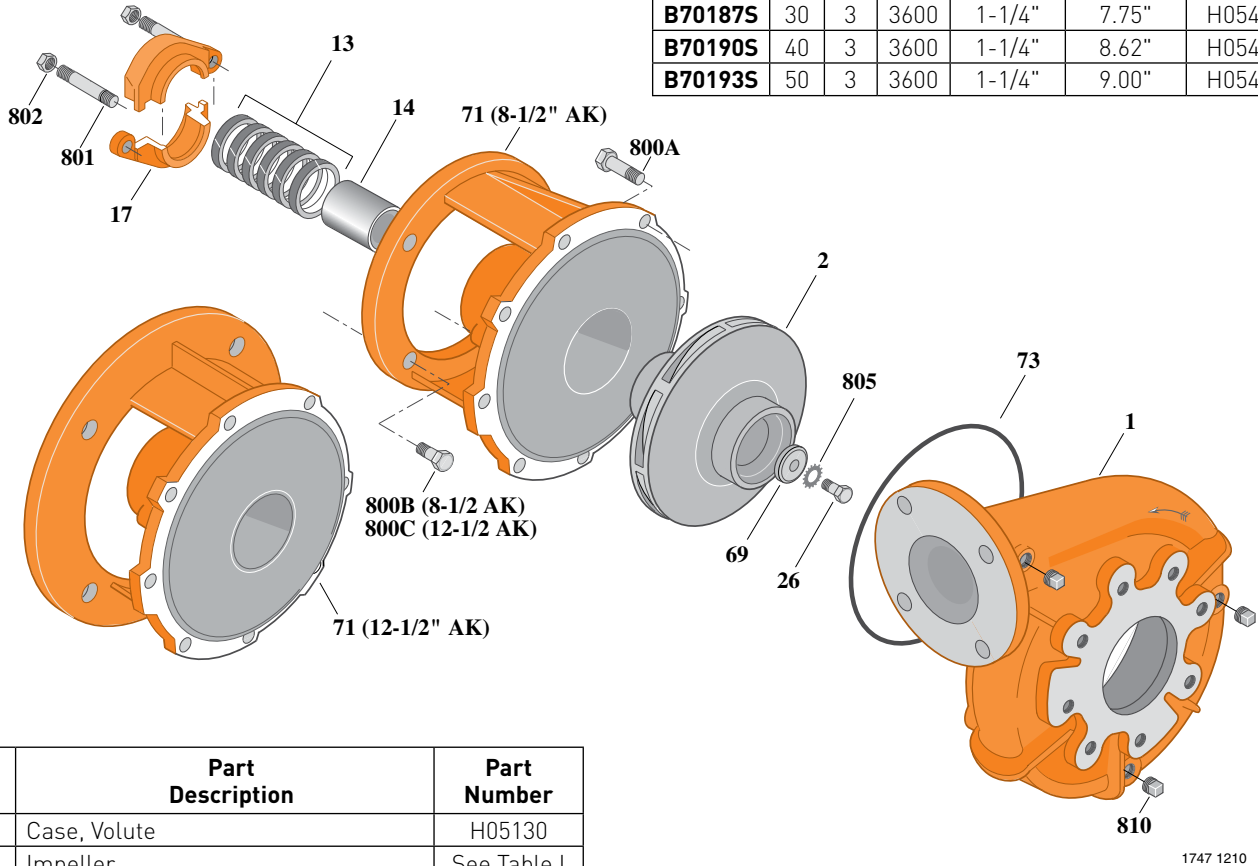
Flanged Case, Packing Construction

ELECTRIC MOTOR DRIVE

| | |
|---------------------|---------------|
| Section | CC |
| Page | 180.10 |
| Date | March 4, 2013 |
| Supersedes 07/01/11 | |

Table I

| B/M No. | HP | PH | RPM | "U" Dim. | Imp. Dia. | Imp. No. |
|----------------|----|----|------|----------|-----------|----------|
| B70181S | 20 | 3 | 3600 | 1-1/4" | 6.75" | H05484 |
| B70184S | 25 | 3 | 3600 | 1-1/4" | 7.25" | H05485 |
| B70187S | 30 | 3 | 3600 | 1-1/4" | 7.75" | H05486 |
| B70190S | 40 | 3 | 3600 | 1-1/4" | 8.62" | H05487 |
| B70193S | 50 | 3 | 3600 | 1-1/4" | 9.00" | H05488 |



1747 1210

| Item No. | Part Description | Part Number |
|----------|--------------------------------------|--------------|
| 1 | Case, Volute | H05130 |
| 2 | Impeller | See Table I |
| 13 | Rings, Packing (Set of 6) | S13470 |
| 14 | Sleeve, Shaft | S05149L |
| 17 | Gland, Packing | B82470 |
| 26 | Screw, Impeller 1/2 - 13 x 1-1/2" | S23623 |
| 32 | Key, 1/4 x 2-1/4" [See Note 1] | S23677 |
| 69 | Washer, Impeller | S06319 |
| 71 | Bracket | See Table II |
| 73 | O-Ring [See Note 2] | M14943 |
| 800A | Capscrew, 3/8 - 16 x 1" [8 Req.] | S26826 |
| 800B | Capscrew, 1/2 - 13 x 1-1/2" [4 Req.] | S26916 |
| 800C | Capscrew, 5/8 - 11 x 1-1/2" [4 Req.] | S26999 |
| 801 | Stud, 3/8 - 16 x 4" [2 Req.] | S08303 |
| 802 | Nut, Hex 3/8 - 16 [2 Req.] | S23343 |
| 805 | Washer, Lock | S23038 |
| 810 | Plug, Pipe 1/4" NPT [3 Req.] | S23715 |

Table II

| HP | PH | Bracket No. | "AK" Fit | "U" Dim. | Motor Frame |
|----|----|-------------|----------|----------|-------------|
| 20 | 3 | L03827 | 8-1/2" | 1-1/4" | 254JP |
| 25 | 3 | L03827 | 8-1/2" | 1-1/4" | 256JP |
| 30 | 3 | L01563 | 12-1/2" | 1-1/4" | 284JP |
| 40 | 3 | L01563 | 12-1/2" | 1-1/4" | 286JP |
| 50 | 3 | L01563 | 12-1/2" | 1-1/4" | 324JP |

NOTE 1: For an explanation of the tabulated material found on this page and for impeller key location, refer to **Supplement A** located at the beginning of this section.

NOTE 2: Also accepts gasket **S05126** as replacement for O-Ring. See **Supplement E** located at the beginning of this section.



BERKELEY® B3ZPLS Silicon Bronze Impeller

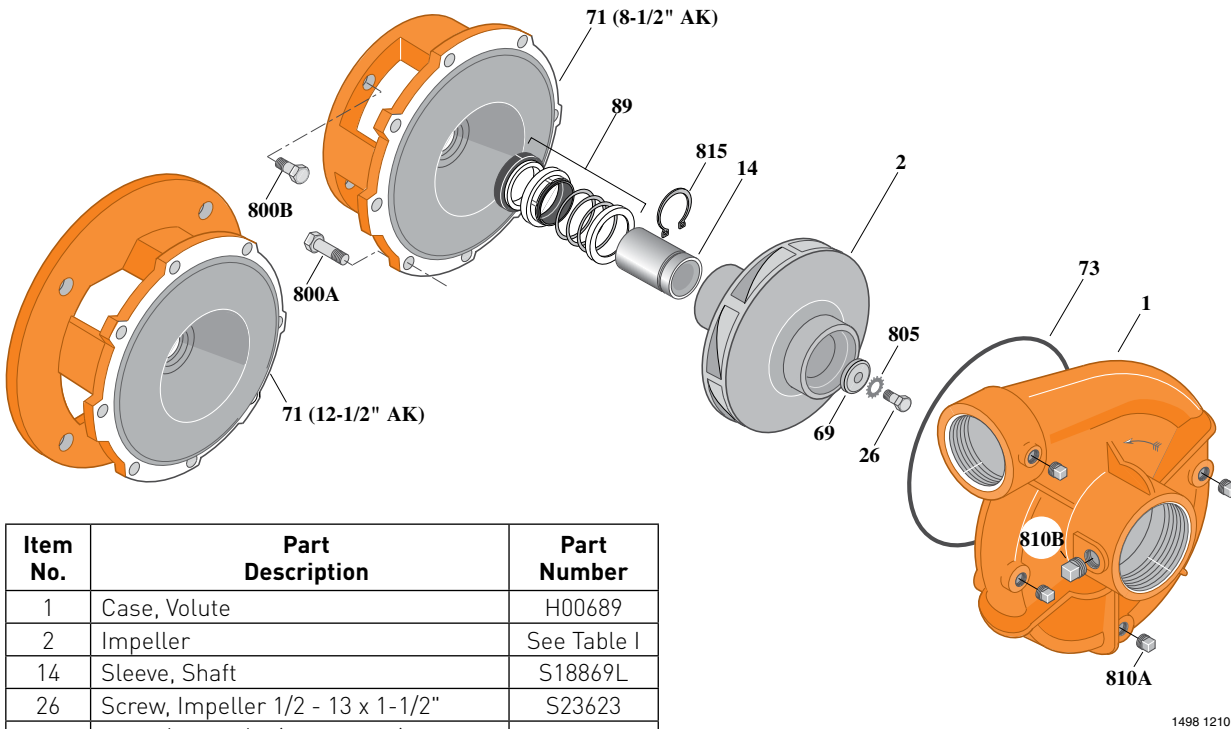
Threaded Case (NPT), Mechanical Shaft Seal Construction

ELECTRIC MOTOR DRIVE

| | |
|---------------------|---------------|
| Section | CC |
| Page | 180.11 |
| Date | March 4, 2013 |
| Supersedes 07/01/11 | |

Table I

| B/M No. | HP | PH | RPM | "U" Dim. | Imp. Dia. | Imp. No. |
|---------|----|----|------|----------|-----------|----------|
| B66675S | 20 | 3 | 3600 | 1-1/4" | 6.75" | H05484 |
| B66689S | 25 | 3 | 3600 | 1-1/4" | 7.25" | H05485 |
| B66695S | 30 | 3 | 3600 | 1-1/4" | 7.75" | H05486 |
| B66701S | 40 | 3 | 3600 | 1-1/4" | 8.62" | H05487 |
| B66847S | 50 | 3 | 3600 | 1-1/4" | 9.00" | H05488 |



| Item No. | Part Description | Part Number |
|----------|---|--------------|
| 1 | Case, Volute | H00689 |
| 2 | Impeller | See Table I |
| 14 | Sleeve, Shaft | S18869L |
| 26 | Screw, Impeller 1/2 - 13 x 1-1/2" | S23623 |
| 32 | Key, 1/4 x 2-1/4" [See Note 1] | S23677 |
| 69 | Washer, Impeller | S06319 |
| 71 | Bracket | See Table II |
| 73 | O-Ring [See Note 3] | M14943 |
| 89 | Seal, Mechanical Shaft | S32015 |
| 800A | Capscrew, 3/8 - 16 x 1" [8 Req.] | S26826 |
| 800B | Capscrew, 1/2 - 13 x 1" [4 Req.] [For 8-1/2 AK] | S26912 |
| 800B | Capscrew, 5/8 - 11 x 1-1/4" [4 Req.] [For 12-1/2 AK] | S26997 |
| 805 | Washer, Lock | S23038 |
| 810A | Plug, Pipe 1/4" NPT [4 Req.] | S23715 |
| 810B | Plug, Pipe 1/2" NPT | S23717 |
| 815 | Ring, Retaining | S16767 |
| • | Plug, Pipe 1/8" NPT (In Bracket) | S23714 |

• Not illustrated.

Table II

| HP | PH | Bracket No. | "AK" Fit | "U" Dim. | Motor Frame |
|----|----|-------------|----------|----------|-------------|
| 20 | 3 | L04615 | 8-1/2" | 1-1/4" | 254JM |
| 25 | 3 | L04615 | 8-1/2" | 1-1/4" | 256JM |
| 30 | 3 | L04627 | 12-1/2" | 1-1/4" | 284JM |
| 40 | 3 | L04627 | 12-1/2" | 1-1/4" | 286JM |
| 50 | 3 | L04627 | 12-1/2" | 1-1/4" | 324JM |

NOTE 1: For an explanation of the tabulated material found on this page and for impeller key location, refer to **Supplement A** located at the beginning of this section.

NOTE 2: For seal flush line details, see **Supplement D**.

NOTE 3: Also accepts gasket **S05126** as replacement for O-Ring. See **Supplement E** located at the beginning of this section.



BERKELEY® B3ZPLS Silicon Bronze Impeller

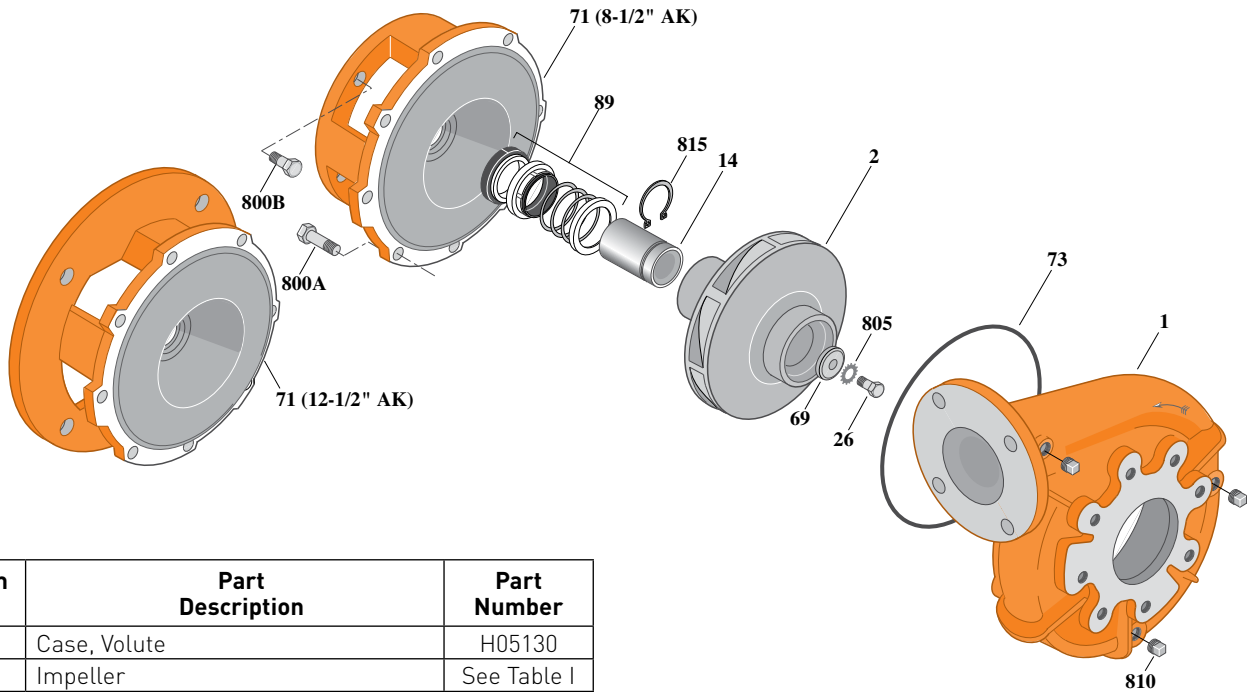
Flanged Case, Mechanical Shaft Seal Construction

ELECTRIC MOTOR DRIVE

| | |
|---------------------|---------------|
| Section | CC |
| Page | 180.12 |
| Date | March 4, 2013 |
| Supersedes 07/01/11 | |

Table I

| B/M No. | HP | PH | RPM | "U" Dim. | Imp. Dia. | Imp. No. |
|----------------|----|----|------|----------|-----------|----------|
| B70196S | 20 | 3 | 3600 | 1-1/4" | 6.75" | H05484 |
| B70198S | 25 | 3 | 3600 | 1-1/4" | 7.25" | H05485 |
| B70200S | 30 | 3 | 3600 | 1-1/4" | 7.75" | H05486 |
| B70202S | 40 | 3 | 3600 | 1-1/4" | 8.62" | H05487 |
| B70204S | 50 | 3 | 3600 | 1-1/4" | 9.00" | H05488 |



| Item No. | Part Description | Part Number |
|----------|---|--------------|
| 1 | Case, Volute | H05130 |
| 2 | Impeller | See Table I |
| 14 | Sleeve, Shaft | S18869L |
| 26 | Screw, Impeller 1/2 - 13 x 1-1/2" | S23623 |
| 32 | Key, 1/4 x 2-1/4" [See Note 1] | S23677 |
| 69 | Washer, Impeller | S06319 |
| 71 | Bracket | See Table II |
| 73 | O-Ring [See Note 3] | M14943 |
| 89 | Seal, Mechanical Shaft | S32015 |
| 800A | Capscrew, 3/8 - 16 x 1" [8 Req.] | S26826 |
| 800B | Capscrew, 1/2 - 13 x 1" [4 Req.] [For 8-1/2 AK] | S26912 |
| 800B | Capscrew, 5/8 - 11 x 1-1/4" [4 Req.] [For 12-1/2 AK] | S26997 |
| 805 | Washer, Lock | S23038 |
| 810 | Plug, Pipe 1/4" NPT [3 Req.] | S23715 |
| 815 | Ring, Retaining | S16767 |
| • | Plug, Pipe 1/8" NPT [In Bracket] | S23714 |

• Not illustrated.

Table II

| HP | PH | Bracket No. | "AK" Fit | "U" Dim. | Motor Frame |
|----|----|-------------|----------|----------|-------------|
| 20 | 3 | L04615 | 8-1/2" | 1-1/4" | 254JM |
| 25 | 3 | L04615 | 8-1/2" | 1-1/4" | 256JM |
| 30 | 3 | L04627 | 12-1/2" | 1-1/4" | 284JM |
| 40 | 3 | L04627 | 12-1/2" | 1-1/4" | 286JM |
| 50 | 3 | L04627 | 12-1/2" | 1-1/4" | 324JM |

NOTE 1: For an explanation of the tabulated material found on this page and for impeller key location, refer to **Supplement A** located at the beginning of this section.

NOTE 2: For seal flush line details, see **Supplement D**.

NOTE 3: Also accepts gasket **S05126** as replacement for O-Ring. See **Supplement E** located at the beginning of this section.

