

BERKELEY® B3EQBL

Cast Iron Impeller

Threaded Case (NPT), Packing Construction

SAE ENGINE MOUNT

Section	SAE
Page	90.1
Date	March 4, 2013
Supersedes 01/01/04	

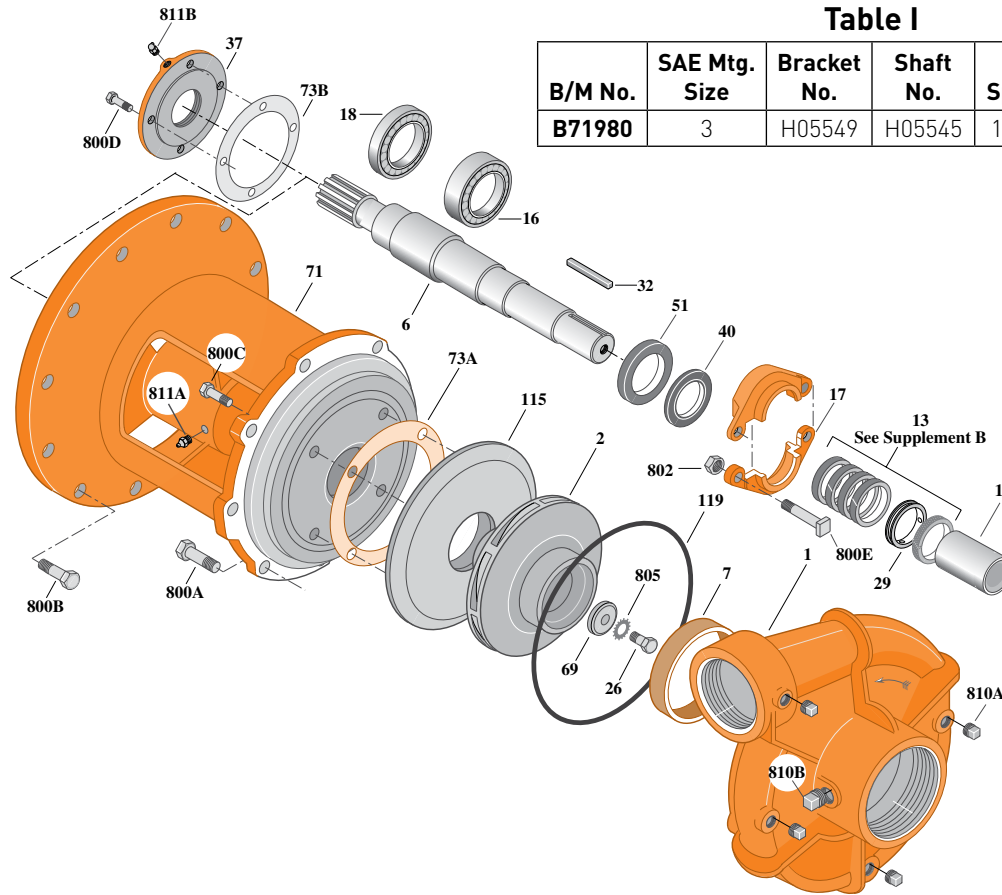


Table I

B/M No.	SAE Mtg. Size	Bracket No.	Shaft No.	Shaft Spline No.	Shaft Ext.
B71980	3	H05549	H05545	1-3/8-10T	3"

Item No.	Part Description	Part Number
1	Case, Volute	H02087
2	Impeller	M07316
6	Shaft	See Table I
7	Ring, Wearing	S06860
13	Ring, Packing (Set of 4)	S13436
14	Sleeve, Shaft	S05974
16	Bearing, Ball	S13396
17	Gland, Packing	B82472
18	Bearing, Ball	S13395
26	Screw, Impeller 1/2-13x1-1/4"	S23621
29	Ring, Lantern	S18993
32	Key, 1/4 x 2-1/4"	S23677
37	Outer Bearing Cap	M10979
40	Slinger, Water	S10964
51	Seal, Oil	S14765
69	Washer, Impeller	S18117

Item No.	Part Description	Part Number
71	Bracket	See Table I
73A	Gasket, Balance Ring	S09943
73B	Gasket	S18055
115	Ring, Balance	L03648
119	O-Ring	S13760
800A	Capscrew, Hex 1/2-13x1-1/4" (8 Req.)	S26914
800B	Capscrew, Hex 3/8-16x1-1/2" (12 Req.)	S26830
800C	Capscrew, Hex 3/8-16x1-1/4" (4 Req.)	S26828
800D	Capscrew, Hex 1/4-20x3/4" (4 Req.)	S23119
800E	Bolt, Sq. Head 1/2-13x2-3/4" (2 Req.)	S23794
802	Nut, Hex 1/2-13x7/16" (2 Req.)	S23347
805	Washer, Lock	S23038
810A	Plug, Pipe 1/4 NPT (4 Req.)	S23715
810B	Plug, Pipe 1/2 NPT	S23717
811A	Fitting, Grease	S23670
811B	Fitting, Grease	S23702



BERKELEY® B3EQBL

SAE ENGINE MOUNT

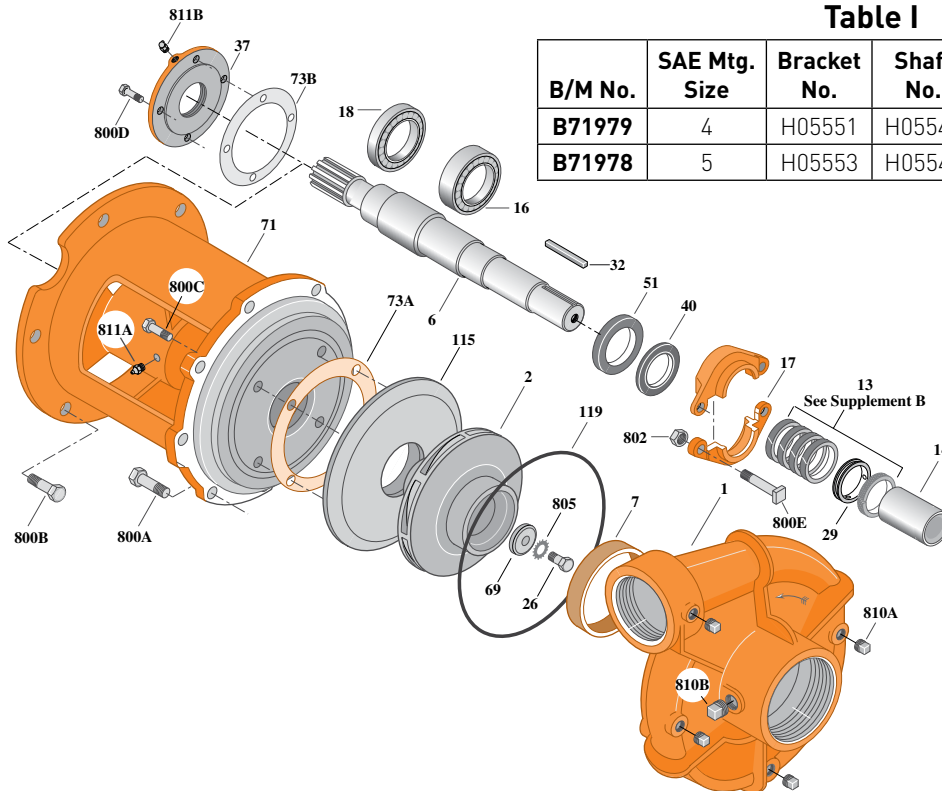
Cast Iron Impeller

Threaded Case (NPT), Packing Construction

Section	SAE
Page	90.2
Date	March 4, 2013
Supersedes 01/01/04	

Table I

B/M No.	SAE Mtg. Size	Bracket No.	Shaft No.	Shaft Spline No.	Shaft Ext.
B71979	4	H05551	H05546	1-3/8-10T	3"
B71978	5	H05553	H05544	1-3/8-10T	2-1/2"



Item No.	Part Description	Part Number
1	Case, Volute	H02087
2	Impeller	M07316
6	Shaft	See Table I
7	Ring, Wearing	S06860
13	Ring, Packing [Set of 4]	S13436
14	Sleeve, Shaft	S05974
16	Bearing, Ball	S13396
17	Gland, Packing	B82472
18	Bearing, Ball	S13395
26	Screw, Impeller 1/2-13x1-1/4"	S23621
29	Ring, Lantern	S18993
32	Key, 1/4x2-1/4"	S23677
37	Outer Bearing Cap	M10979
40	Slinger, Water	S10964
51	Seal, Oil	S14765
69	Washer, Impeller	S18117
71	Bracket	See Table I
73A	Gasket, Balance Ring	S09943

Item No.	Part Description	Part Number
73B	Gasket	S18055
115	Ring, Balance	L03648
119	O-Ring	S13760
800A	Capscrew, Hex 1/2-13x1-1/4" [8 Req.]	S26914
800B	Capscrew, Hex 3/8-16x1-1/4" [12 Req. - SAE 4]	S26828
800B	Capscrew, Hex 3/8-16x1" [11 Req. - SAE 5]	S26826
800C	Capscrew, Hex 3/8-16x1" [4 Req. - SAE 4]	S26826
800D	Capscrew, Hex 1/4-20x3/4" [4 Req.]	S23119
800E	Bolt, Sq. Head 1/2-13x2-3/4" [2 Req.]	S23794
802	Nut, Hex 1/2-13x7/16" [2 Req.]	S23347
805	Washer, Lock	S23038
810A	Plug, Pipe 1/4 NPT [4 Req.]	S23715
810B	Plug, Pipe 1/2 NPT	S23717
811A	Fitting, Grease	S23670
811B	Fitting, Grease	S23702

