

BERKELEY® B4EQM

Cast Iron Impeller

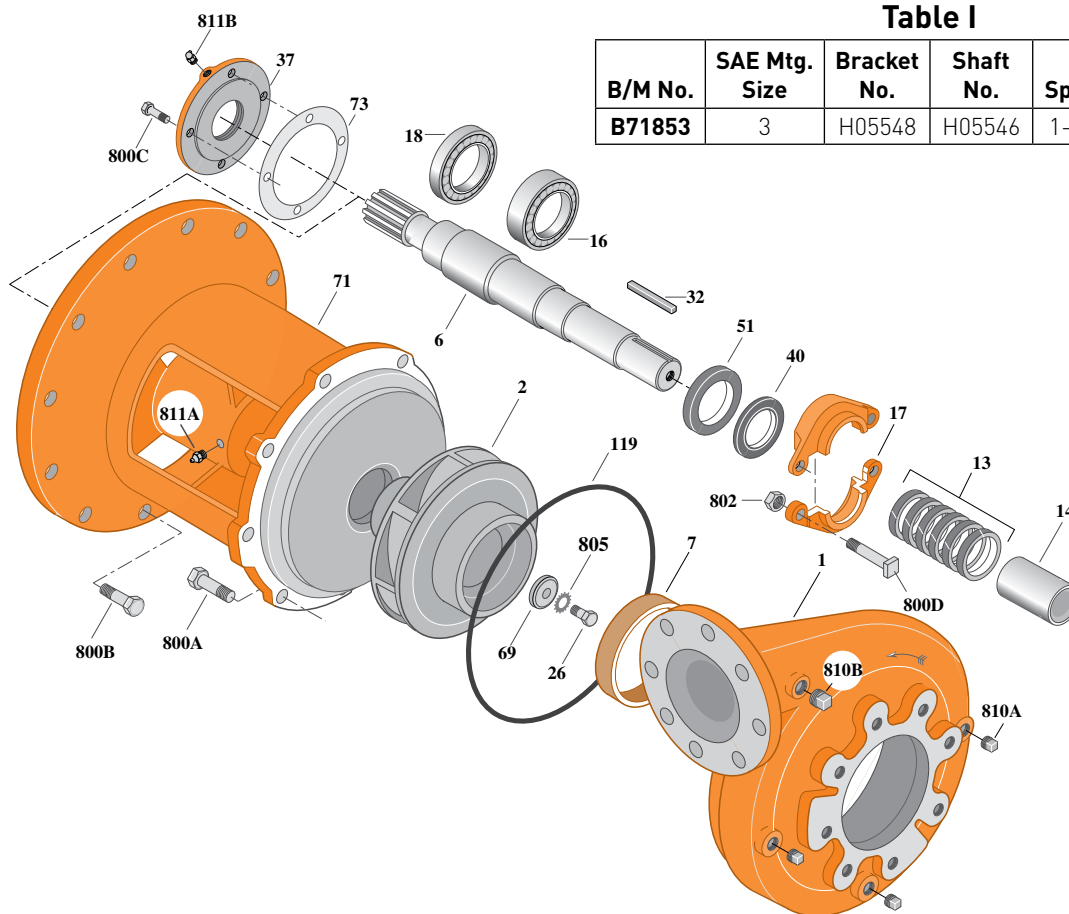
Flanged Case, Packing Construction

SAE ENGINE MOUNT

Section	SAE
Page	110.1
Date	March 4, 2013
Supersedes 01/01/04	

Table I

B/M No.	SAE Mtg. Size	Bracket No.	Shaft No.	Shaft Spline No.	Shaft Ext.
B71853	3	H05548	H05546	1-3/8-10T	3"



Item No.	Part Description	Part Number
1	Case, Volute	H01939
2	Impeller	M04821
6	Shaft	See Table I
7	Ring, Wearing	S13061
13	Ring, Packing [Set of 6]	S14023
14	Sleeve, Shaft	S05974
16	Bearing, Ball	S13396
17	Gland, Packing	B82472
18	Bearing, Ball	S13395
26	Screw, Impeller 1/2-13x1-1/2"	S23623
32	Key, 1/4 x 2-1/4"	S23677
37	Outer Bearing Cap	M10979
40	Slinger, Water	S10964
51	Seal, Oil	S14765

Item No.	Part Description	Part Number
69	Washer, Impeller	S06317
71	Bracket	See Table I
73	Gasket	S18055
119	O-Ring	S13760
800A	Capscrew, Hex 1/2-13x1-1/4" (8 Req.)	S26914
800B	Capscrew, Hex 3/8-16x1" (12 Req.)	S26826
800C	Capscrew, Hex 1/4-20x3/4" (4 Req.)	S23119
800D	Bolt, Sq. Head 1/2-13x2-1/2" (2 Req.)	S23793
802	Nut, Hex 1/2-13x7/16" (2 Req.)	S23347
805	Washer, Lock	S23038
810A	Plug, Pipe 1/4 NPT (3 Req.)	S23715
810B	Plug, Pipe 1/2 NPT (2 Req.)	S23717
811A	Fitting, Grease	S23670
811B	Fitting, Grease	S23702



BERKELEY® B4EQM

Cast Iron Impeller

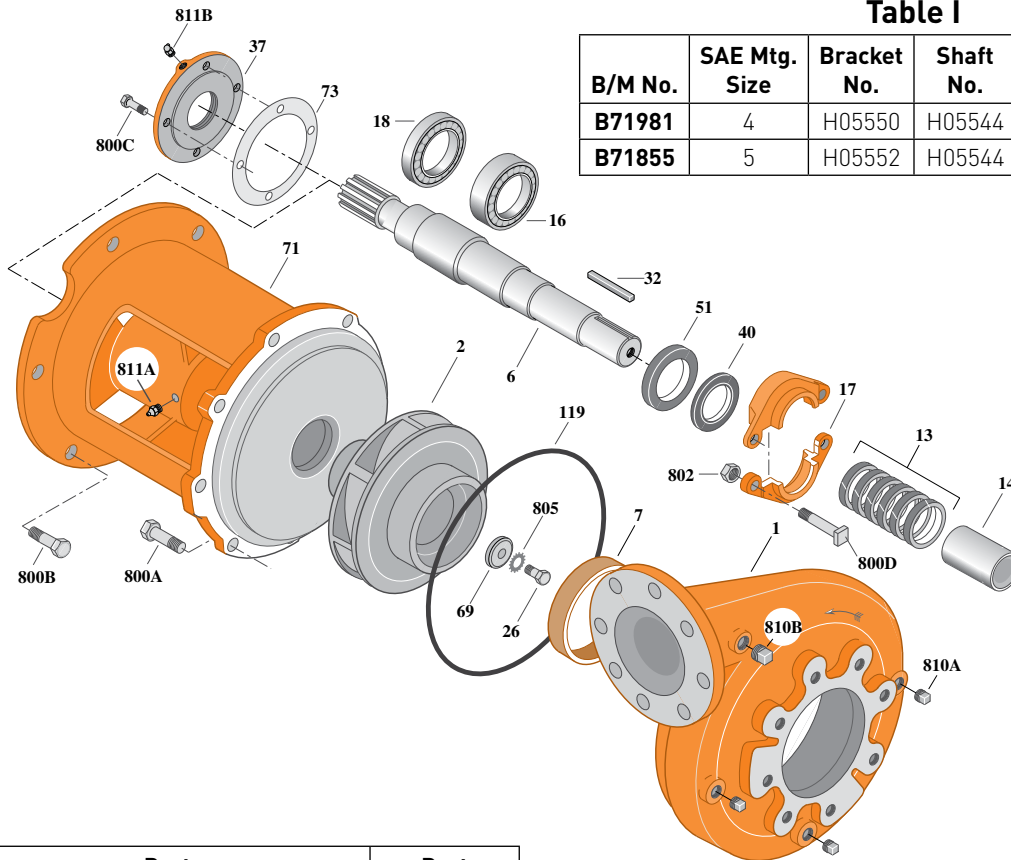
Flanged Case, Packing Construction

SAE ENGINE MOUNT

Section	SAE
Page	110.2
Date	March 4, 2013
Supersedes 01/01/04	

Table I

B/M No.	SAE Mtg. Size	Bracket No.	Shaft No.	Shaft Spline No.	Shaft Ext.
B71981	4	H05550	H05544	1-3/8-10T	2-1/2"
B71855	5	H05552	H05544	1-3/8-10T	2-1/2"



Item No.	Part Description	Part Number
1	Case, Volute	H01939
2	Impeller	M04821
6	Shaft	See Table I
7	Ring, Wearing	S13061
13	Ring, Packing (Set of 6)	S14023
14	Sleeve, Shaft	S05974
16	Bearing, Ball	S13396
17	Gland, Packing	B82472
18	Bearing, Ball	S13395
26	Screw, Impeller 1/2-13x1-1/2"	S23623
32	Key, 1/4 x 2-1/4"	S23677
37	Outer Bearing Cap	M10979
40	Slinger, Water	S10964
51	Seal, Oil	S14765
69	Washer, Impeller	S06317

Item No.	Part Description	Part Number
71	Bracket	See Table I
73	Gasket	S18055
119	O-Ring	S13760
800A	Capscrew, Hex 1/2-13x1-1/4" (8 Req.)	S26914
800B	Capscrew, Hex 3/8-16x1-1/2" (7 Req.)	S26830
800C	Capscrew, Hex 1/4-20x3/4" (4 Req.)	S23119
800D	Bolt, 1/2-13x2-1/2" (2 Req.)	S23793
802	Nut, Hex 1/2-13x7/16" (2 Req.)	S23347
805	Washer, Lock	S23038
810A	Plug, Pipe 1/4 NPT (3 Req.)	S23715
810B	Plug, Pipe 1/2 NPT (2 Req.)	S23717
811A	Fitting, Grease	S23670
811B	Fitting, Grease	S23702
•	Plug, Pipe 1/8 NPT	S13883

• Not illustrated.

