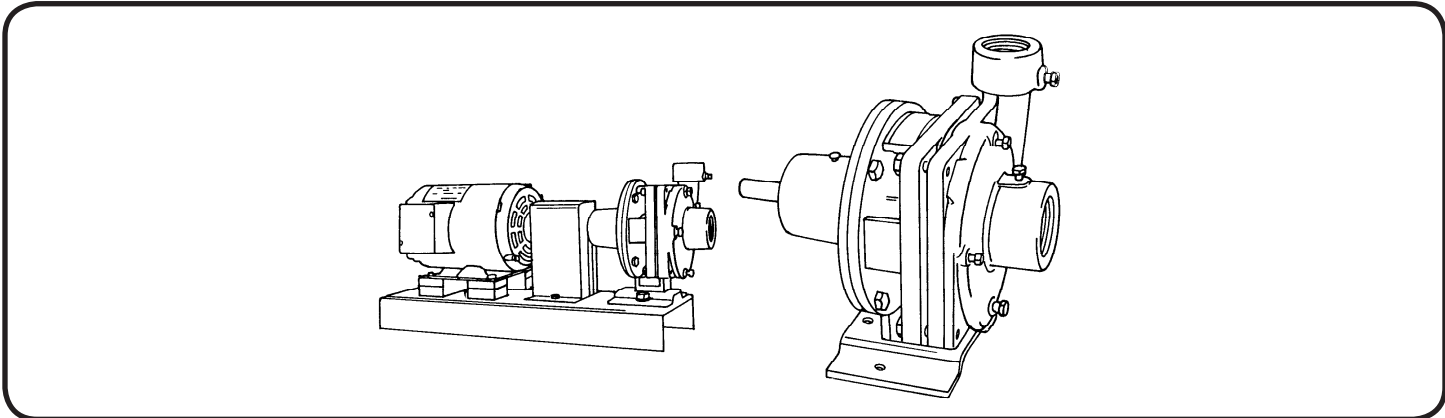
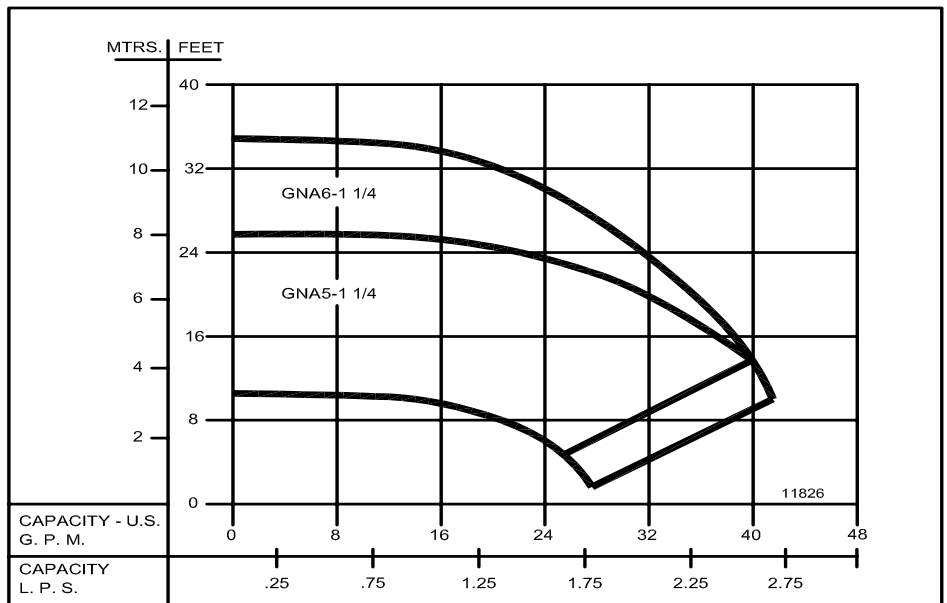


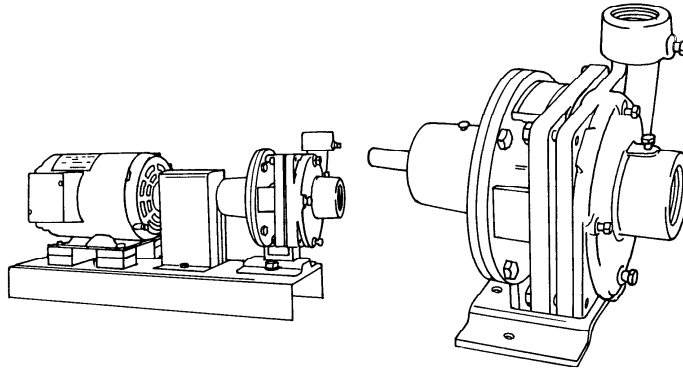
Base Mounted Centrifugal Pumps



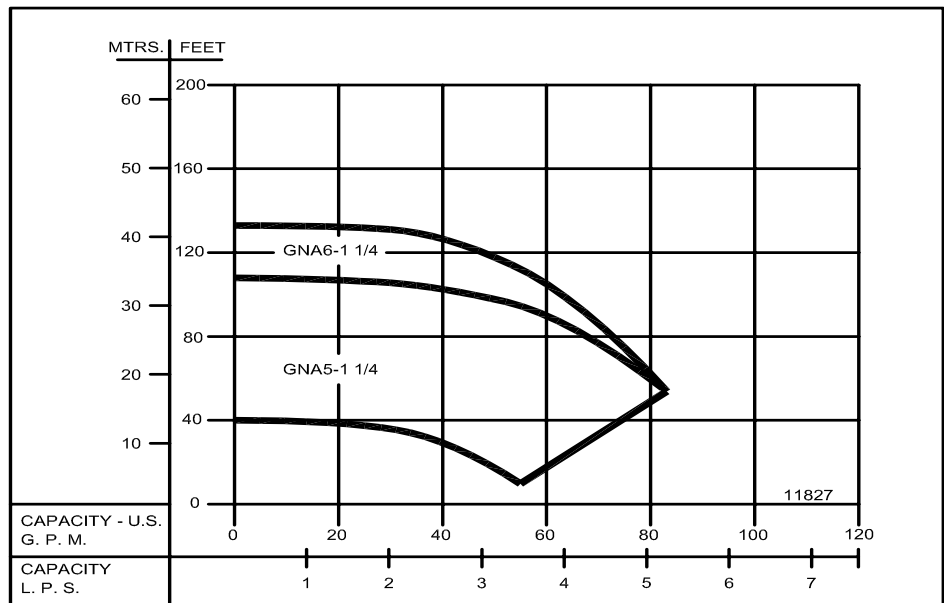
1750 RPM - 60Hz.
 CAPACITIES TO 40 GPM (2.5 LPS)
 HEADS TO 30 FEET (9 m)



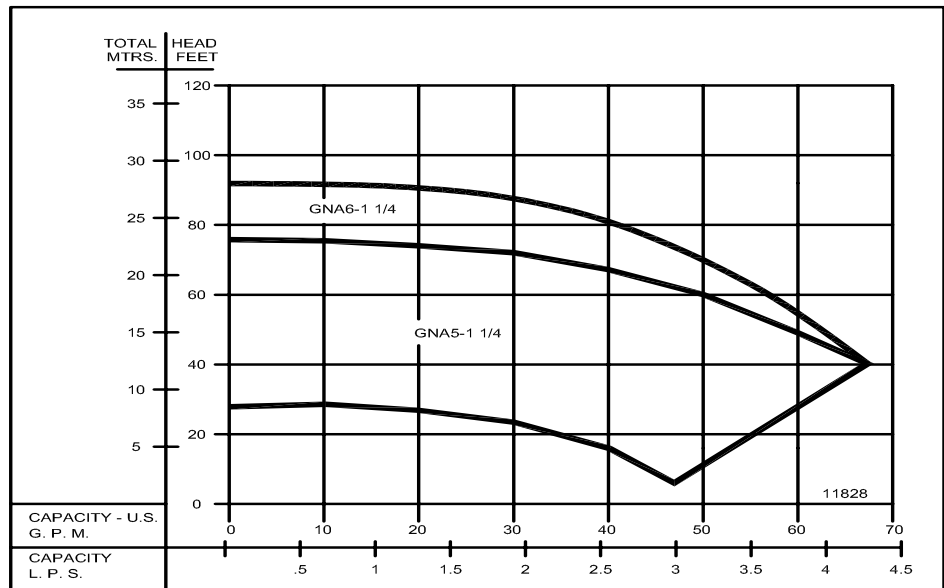
Base Mounted Centrifugal Pumps



3500 RPM - 60Hz.
CAPACITIES TO 80 GPM (5 LPS)
HEADS TO 135 FEET (41 m)



2900 RPM - 50Hz.
CAPACITIES TO 68 GPM (4.3 LPS)
HEADS TO 92 FEET (28 m)



Base Mounted Centrifugal Pumps

FOUR POSITION CASING

Discharge can be located in any of four positions. Casing is close grain iron of 30,000 psi minimum tensile strength. Back pull-out design eliminates the need to disturb piping should the pump ever require service - the casing stays in the line. Openings are provided for test gauges, for venting and for draining the pump.

ENCLOSED BRONZE IMPELLER

Enclosed Bronze Impeller is of the latest hydraulic design for maximum efficiency. It is balanced for vibration-free operation and threaded onto stainless steel motor shaft.

MECHANICAL SHAFT SEAL

Standard self-adjusting shaft seal for temperatures up to 225°F (107°C) and pressures to 150 psi (1034kpa). Ceramic seat and carbon seal face for long trouble-free service. Special seals are available for higher temperatures and fluids other than water.

COUPLING GUARD

Furnished on all complete Base-Mounted units manufactured by Burks Pumps. Not furnished with purchase of pump only, but required.

REPLACEABLE CASING WEAR RING

Prevents wear on casing and is easy to replace.

INSTALL IN ANY POSITION

Horizontal, vertical or on an angle.

EASY TO SERVICE

Taking out only 4 cap screws allows removal of pumping assembly without disturbing piping.

FACTORY TESTED

After careful assembly and inspection, EVERY pump is factory tested and will meet Hydraulic Institute standards.

MAXIMUM OPERATING CONDITIONS	
HORSEPOWER	3 HP
TEMPERATURE (For Standard Buna-N Seal)	225°F (107°C)
INLET PRESSURE	100 PSI (689kPa)
CASING WORKING PRESSURE	250 PSI (1723kPa)

JACKETED SEAL CAVITY FOR TEMPERATURES TO 500°F (260°C)

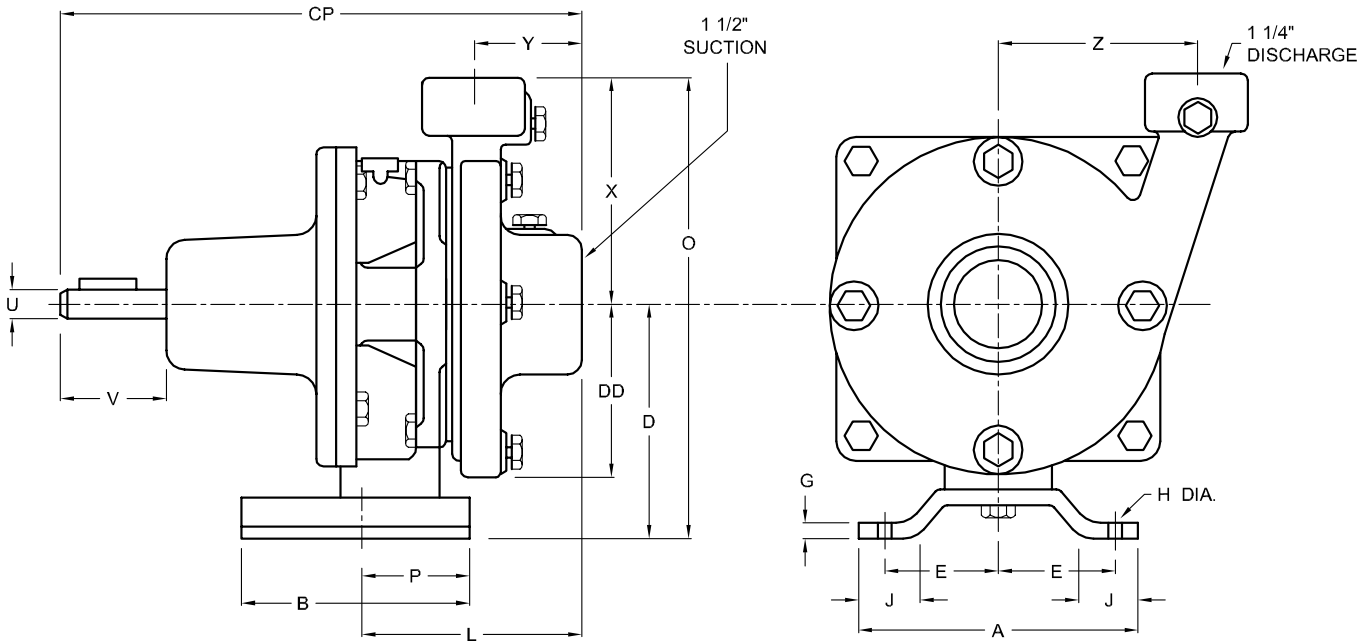
Series GNA5-1-1/4 and all G6-1-1/4 pumps are available in a Jacketed Seal Cavity design for pumping hot oil, hot water and heat transfer fluids in common use in high temperature heating or cooling applications. This feature greatly extends seal life in high temperature applications. To order, add suffix "MJ" to pump catalog number for temperatures below 400°F (240°C) and add suffix "MJK" to pump catalog number for temperatures over 400°F (240°C). Example: GNA5-1-1/4MJ. See Section on High Temperature Pumps for more information.

MATERIALS OF CONSTRUCTION

PART	ALL IRON	BRONZE FITTED	ALL BRONZE	*STAINLESS STEEL
Adapter	Cast Iron	Cast Iron	Bronze	#316 Stainless
Casing	Cast Iron	Cast Iron	Bronze	#316 Stainless
Casing Wear Ring	Steel	Bronze	Bronze	#316 Stainless
Impeller	Cast Iron	Bronze	Bronze	#316 Stainless
Shaft	#316 Stainless	#316 Stainless	#316 Stainless	#316 Stainless
Shaft Seal	Carbon-Ceramic SS - Buna-N	Carbon-Ceramic SS - Buna-N	Carbon-Ceramic SS - Buna-N	Carbon-Ceramic SS - Buna-N

(*) GNA5 1-1/4 ONLY

Base Mounted Centrifugal Pumps



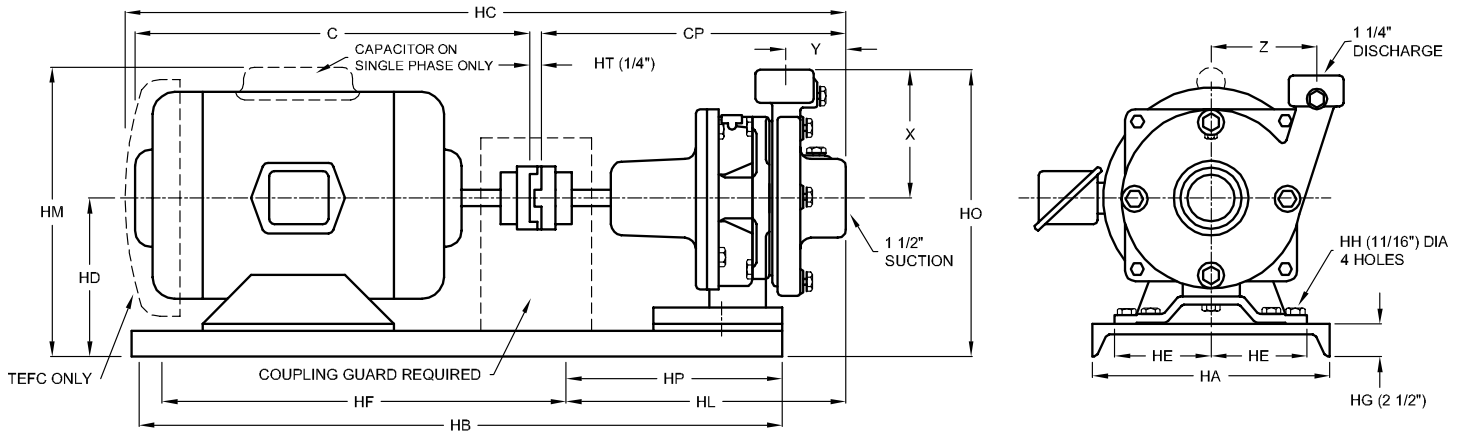
DIMENSIONS IN INCHES

MODEL	DISC.	SUCT.	A	B	CP	D	DD	E	G	H	J	L	O	P	U	V	X	Y	Z
GNA5-1¼	1¼	1½	5	4	10 ³ / ₃₂	4¾	3 ⁷ / ₁₆	1 ¹⁵ / ₁₆	¼	9 ¹ / ₁₆	1 ¹ / ₈	4 ³ / ₁₆	9 ³ / ₁₆	1¼	5 ⁵ / ₈	1 ²³ / ₃₂	4 ⁷ / ₁₆	2 ³ / ₈	3 ³ / ₈
GNA6-1¼	1¼	1½	5	4	10 ³ / ₁₆	5¼	3 ⁷ / ₈	1 ¹⁵ / ₁₆	¼	9 ¹ / ₁₆	1 ¹ / ₈	4 ⁹ / ₁₆	9 ¹⁵ / ₁₆	1¼	5 ⁵ / ₈	1 ²³ / ₃₂	4 ¹¹ / ₁₆	2½	3¾

DIMENSIONS IN MILLIMETERS

MODEL	DISC. (in)	SUCT. (in)	A	B	CP	D	DD	E	G	H	J	L	O	P	U	V	X	Y	Z
GNA5-1¼	1¼	1½	127	102	256	121	84	49	6.3	14	29	106	233	44	16	43	113	60	86
GNA6-1¼	1¼	1½	127	102	256	133	98	49	6.3	14	29	109	252	44	16	43	119	64	95

Base Mounted Centrifugal Pumps



DIMENSIONS IN INCHES																			
MODEL	MOTOR FRAME SIZE	DISC.	SUCT.	C*	CP*	HA	HB	HC*	HD	HE	HF	HL	HM*	HO	HP	X	Y	Z	
GNA5-1¼	56	1¼	1½	11 ³ / ₁₆	10 ⁵ / ₈	8	21 ³ / ₄	22 ³ / ₁₆	7 ¹ / ₄	3	15 ³ / ₄	7 ⁷ / ₁₆	12 ⁹ / ₁₆	11 ¹¹ / ₁₆	5	4 ⁷ / ₁₆	2 ³ / ₈	3 ³ / ₈	
	143T 145T			13 ³ / ₁₆	10 ⁵ / ₈	8	21 ¹ / ₂	23 ¹⁵ / ₁₆	7 ¹ / ₄	3	15 ¹ / ₂	7 ⁷ / ₁₆	9 ⁹ / ₈	11 ¹¹ / ₁₆	5	4 ⁷ / ₁₆	2 ³ / ₈	3 ³ / ₈	
	182T 184T			16 ¹¹ / ₁₆	10 ⁵ / ₈	10	24 ³ / ₄	27 ¹ / ₁₆	7 ¹ / ₄	4	22 ³ / ₄	3 ⁷ / ₁₆	11 ⁵ / ₁₆	12 ¹¹ / ₁₆	1	4 ⁷ / ₁₆	2 ³ / ₈	3 ³ / ₈	
GNA6-1¼	56			12 ⁵ / ₁₆	10 ³ / ₁₆	8	21 ³ / ₄	22 ³ / ₄	7 ³ / ₄	3	15 ³ / ₄	7 ⁷ / ₁₆	13 ³ / ₈	12 ⁷ / ₁₆	5	4 ¹¹ / ₁₆	2 ¹ / ₂	3 ³ / ₄	
	143T 145T			13 ⁹ / ₁₆	10 ³ / ₁₆	8	21 ¹ / ₂	24	7 ³ / ₄	3	15 ¹ / ₂	7 ⁷ / ₁₆	9 ⁹ / ₈	12 ⁷ / ₁₆	5	4 ¹¹ / ₁₆	2 ¹ / ₂	3 ³ / ₄	
	182T 184T			16 ¹¹ / ₁₆	10 ³ / ₁₆	10	24 ³ / ₄	27 ¹ / ₈	7 ³ / ₄	4	22 ³ / ₄	3 ⁹ / ₁₆	11 ⁵ / ₁₆	12 ⁷ / ₁₆	1	4 ¹¹ / ₁₆	2 ³ / ₈	3 ³ / ₈	

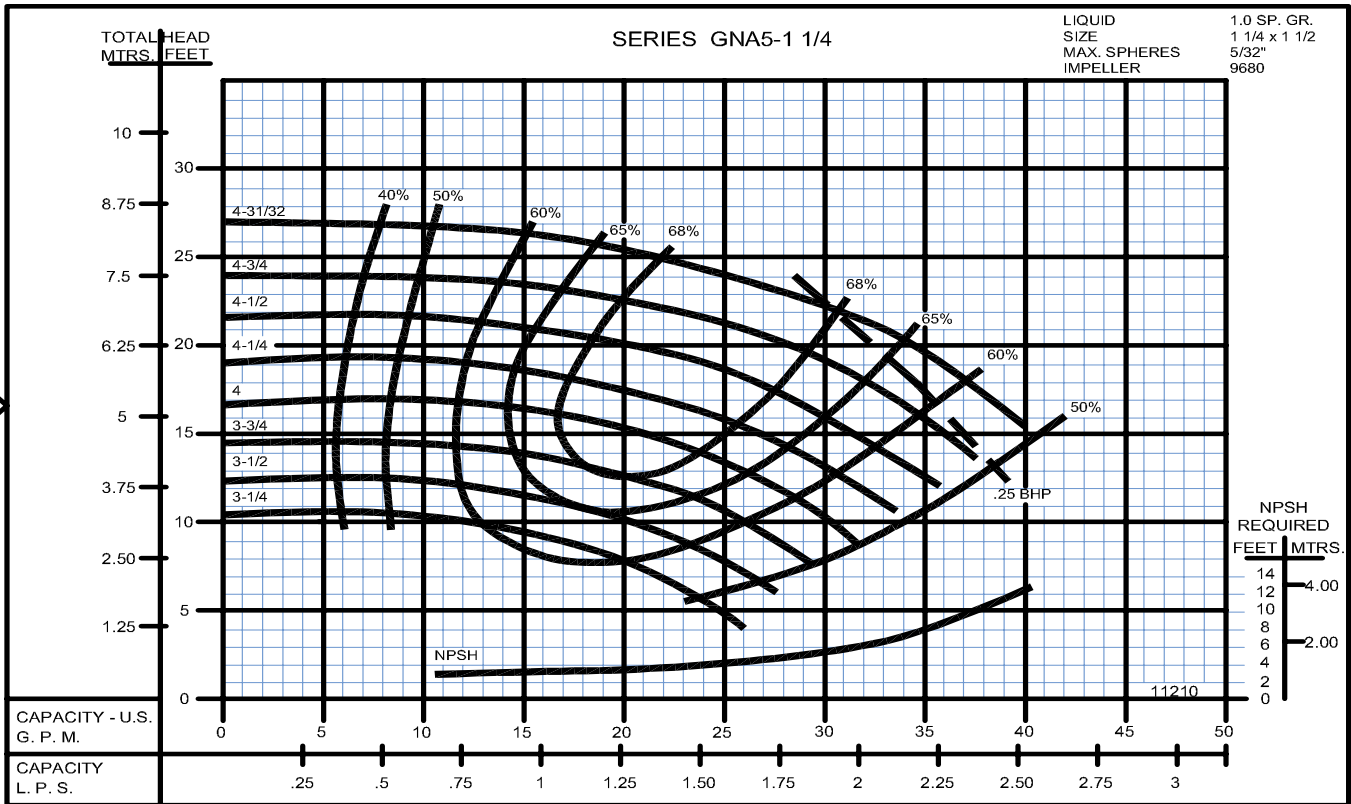
(*) Maximum - Varies with HP and Motor Manufacturer.

DIMENSIONS IN INCHES																			
MODEL	MOTOR FRAME SIZE	DISC.	SUCT.	C*	CP*	HA	HB	HC*	HD	HE	HF	HL	HM*	HO	HP	X	Y	Z	
GNA5-1¼	56	1¼	1½	300	257	203	552	563	184	76	400	189	319	297	127	113	60	86	
	143T 145T			344	257	203	546	608	184	76	394	189	251	297	127	113	60	86	
	182T 184T			424	257	254	629	687	184	102	578	87	287	322	25	113	60	86	
GNA6-1¼	56			313	259	203	552	578	184	76	400	192	333	316	127	119	64	95	
	143T 145T			344	259	203	546	609	184	76	394	192	251	316	127	119	64	95	
	182T 184T			424	259	254	629	688	184	102	578	90	287	316	25	119	60	86	

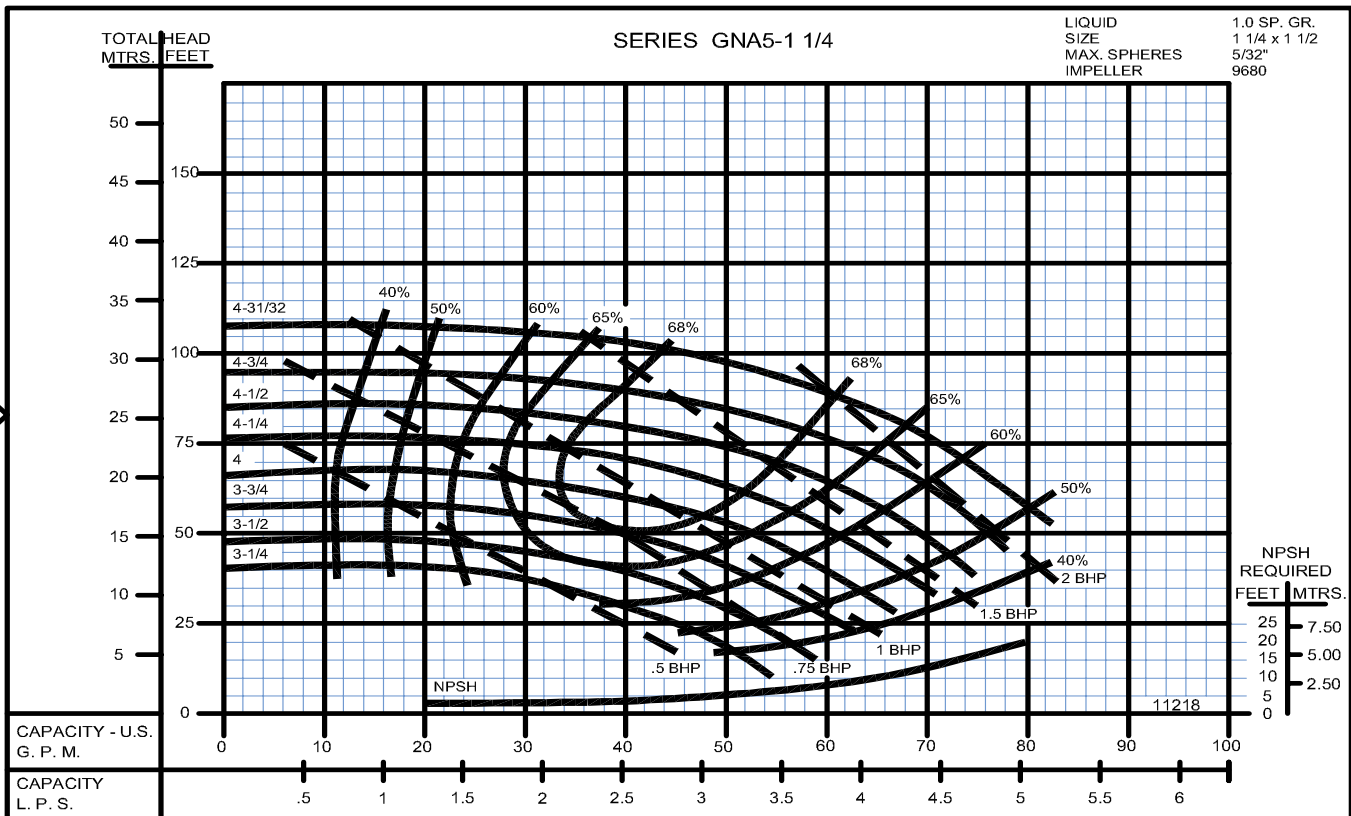
(*) Maximum - Varies with HP and Motor Manufacturer.

Base Mounted Centrifugal Pumps

1750 RPM



3500 RPM

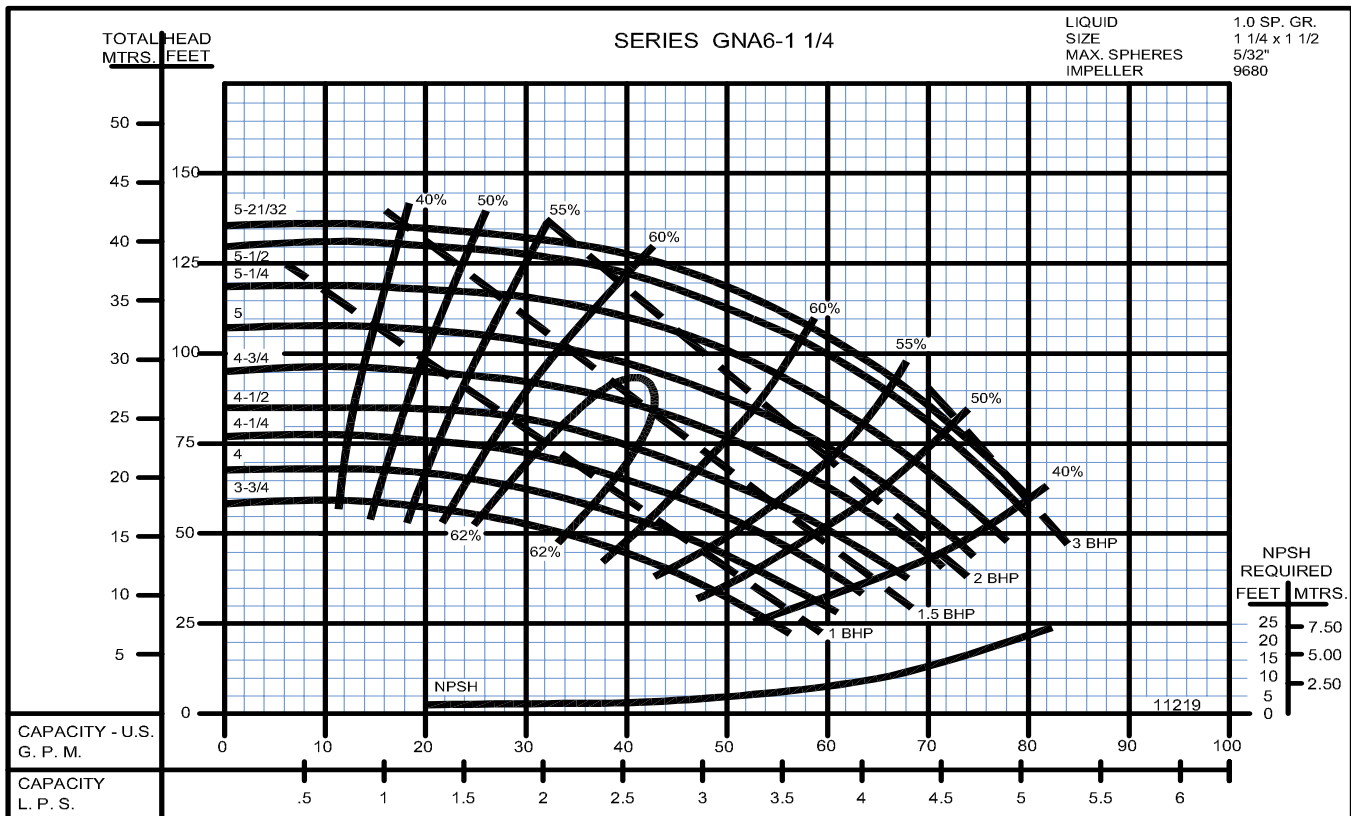
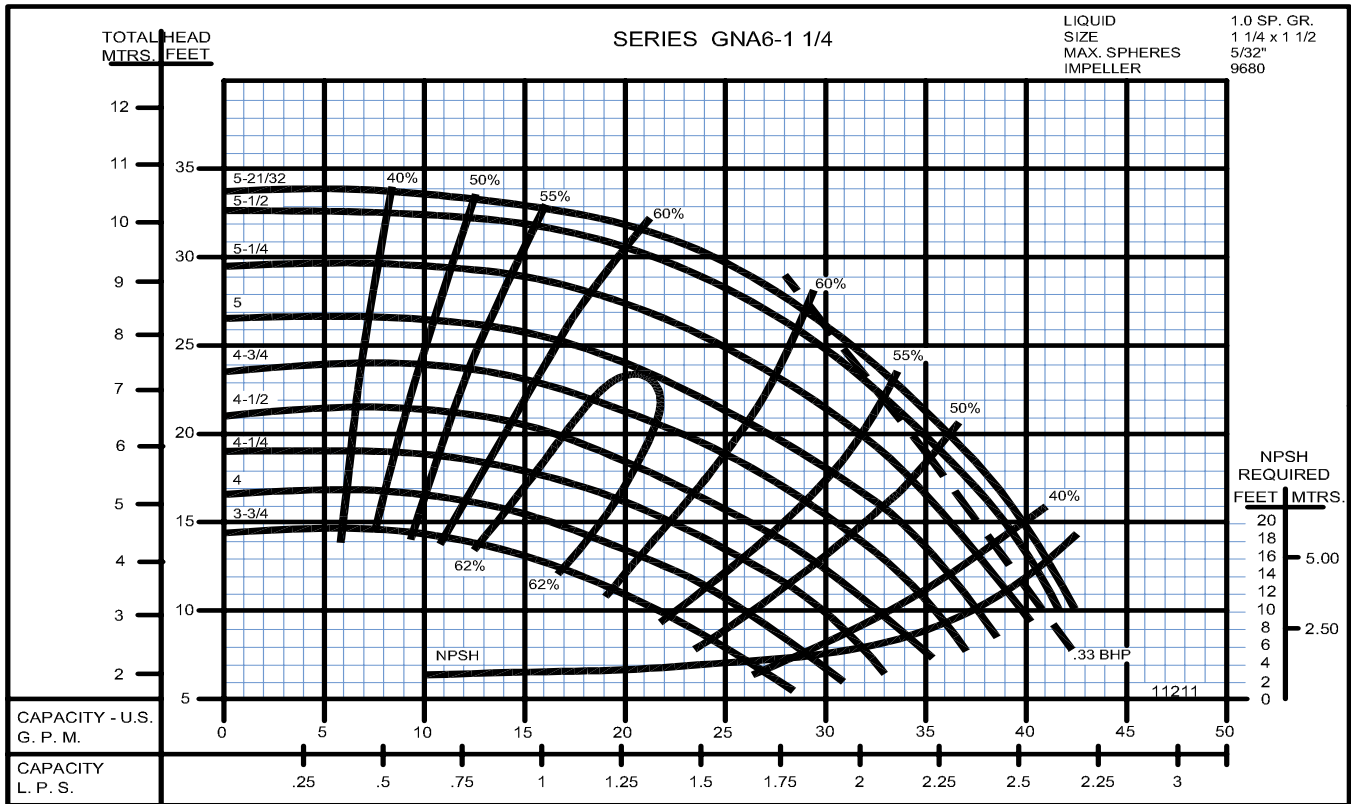


SECTION 3A
PAGE 6
DATE 1/06

CRANE[®]
A Crane Co. Company

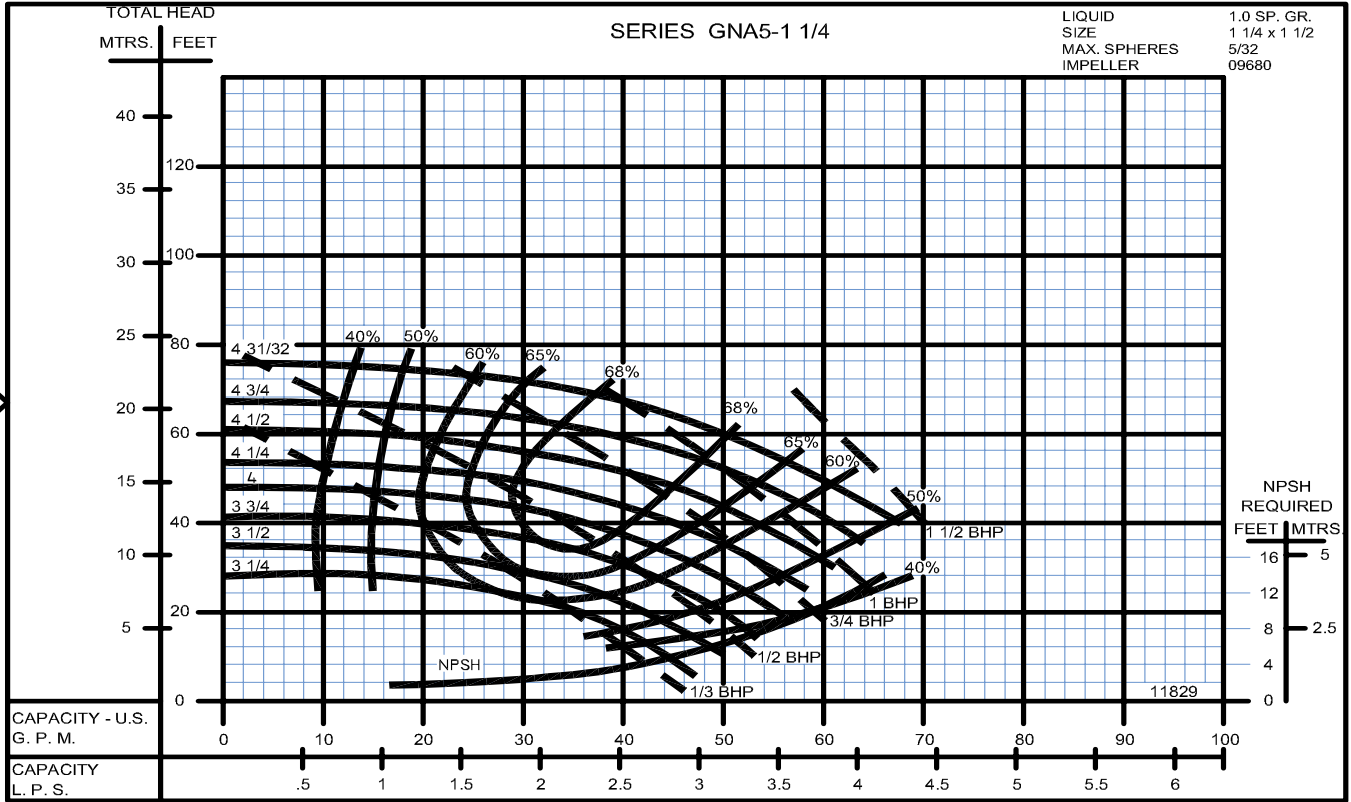
PUMPS & SYSTEMS

Base Mounted Centrifugal Pumps



Base Mounted Centrifugal Pumps

2900 RPM



2900 RPM

