

xylem
Let's Solve Water

REPAIR PARTS

R36/3756 R3



3656/3756 S, M & L-Group

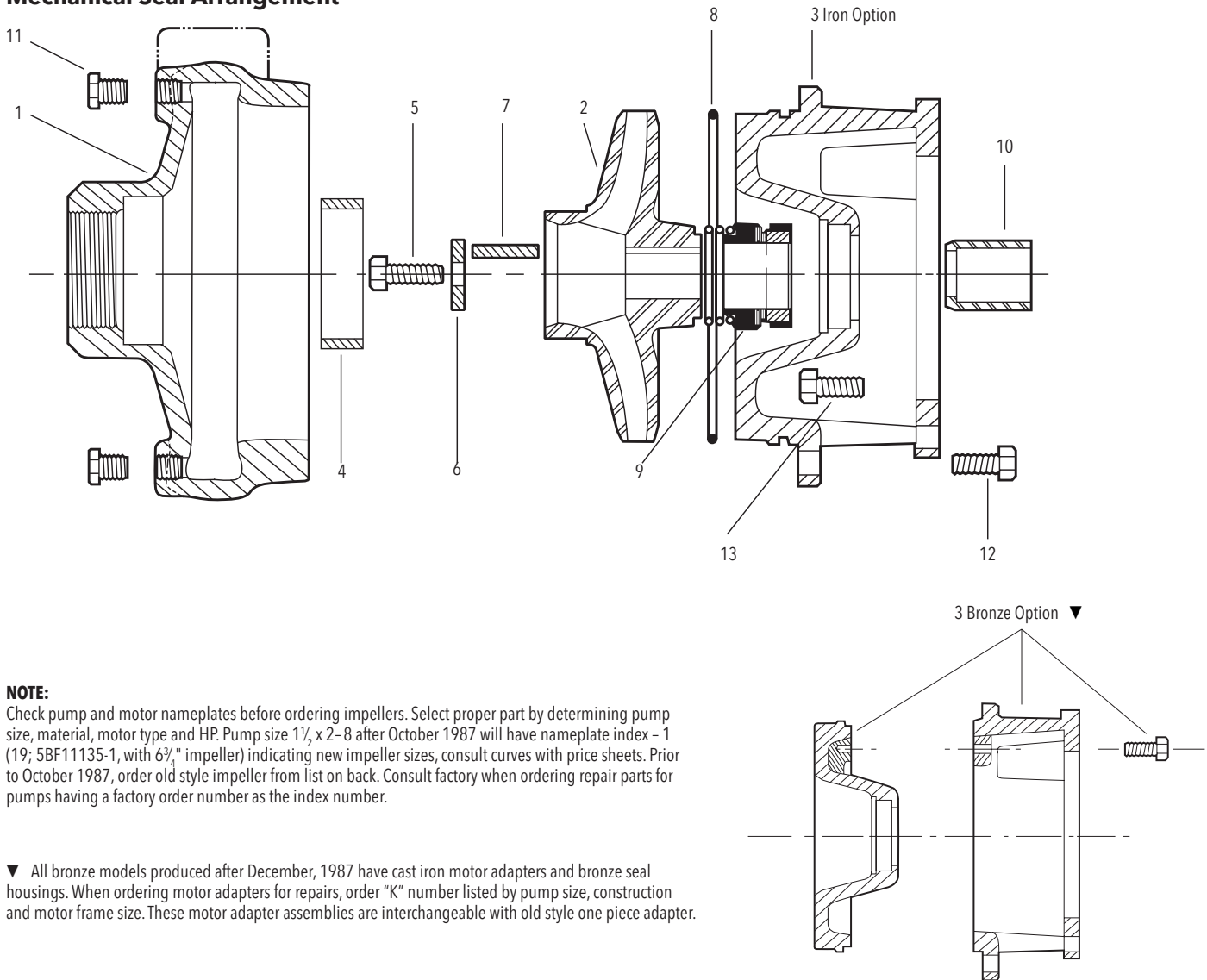
REPAIR PARTS



PUMP END PARTS FOR CLOSE-COUPLED OR FRAME MOUNTED CONFIGURATION 3656/3756 S-Group

Note: For S-Group power frame individual parts see S-Group Power Frame repair parts page, RSPFRAME.

Mechanical Seal Arrangement

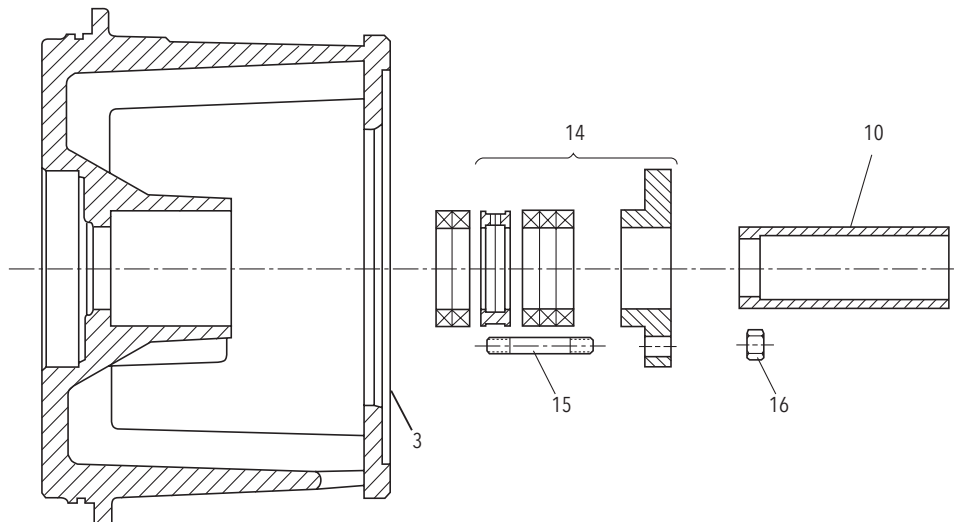


NOTE:

Check pump and motor nameplates before ordering impellers. Select proper part by determining pump size, material, motor type and HP. Pump size 1½ x 2-8 after October 1987 will have nameplate index - 1 (19; 5BF11135-1, with 6¾" impeller) indicating new impeller sizes, consult curves with price sheets. Prior to October 1987, order old style impeller from list on back. Consult factory when ordering repair parts for pumps having a factory order number as the index number.

▼ All bronze models produced after December, 1987 have cast iron motor adapters and bronze seal housings. When ordering motor adapters for repairs, order "K" number listed by pump size, construction and motor frame size. These motor adapter assemblies are interchangeable with old style one piece adapter.

Packed Box Arrangement 140JP - 180JP & 210 TCZ (west coast fit)



PUMP END PARTS FOR CLOSE-COUPLED WITH 140JM, 180JM, 210JM (MECHANICAL SEAL) 140JP, 180JP, 210TCZ (PACKED BOX) 3656/3756 S-Group

Item No.	Part Description	Material	Repair Part No.											
			22BF	9BF	3AI/BF/AB	3AIH/BFH/ABH	5AI/BF/AB	4AI/BF/AB	6AI/BF					
			1 x 2-7	1 x 2-8	1½ x 2-6	1½ x 2-6H	1½ x 2-8	2½ x 3-7	3 x 4-7					
							OLD*	NEW	OLD**	REPAIR KIT***	NEW			
1	Casing	Cast Iron	1K365	1K612	1K98		1K102	1K100		1K128		1K1133		
		Bronze			1K99		1K103	1K101		1K129				
2	Impeller	Cast iron			2K124(4.75)	2K154(5.62)	2K344(5.75)	2K741(4.12)	2K1120(7.06)	2K233(4.69)	6AIK1469	2K1323(4.69)		
					2K122(5.12)	2K152(5.94)	2K768(6.12)	2K740(4.75)	2K1111(6.88)	2K232(5.12)	6AIK1512	2K1322(5.12)		
					2K120(5.62)		2K343(6.25)	2K739(4.94)	2K1112(6.56)	2K230(5.50)	6AIK1550	2K1321(5.50)		
					2K118(5.94)		2K342(6.75)	2K738(5.25)	2K1113(6.00)	2K229(6.38)	6AIK1638	2K1320(6.38)		
							2K341(7.00)	2K737(5.44)	2K1114(5.69)	2K324(7.06)	6AIK1	2K1324(7.06)		
							2K340(7.62)	2K736(5.62)	2K1115(5.44)			2K1325(6.00)		
							2K339(7.75)	2K735(5.88)	2K1116(5.19)					
							2K338(8.06)	2K734(6.38)	2K1117(4.75)					
								2K733(6.75)	2K1118(4.50)					
							2K732(7.06)	2K1119(4.06)						
				Sil-Brass	2K815(3.81)	2K767(5.12)	2K125(4.75)	2K155(5.62)	2K769(6.12)	2K751(4.12)	2K1023(7.06)	2K238(4.69)	6BFK1469	2K1329(4.69)
					2K814(4.06)	2K765(5.38)	2K123(5.12)	2K153(5.94)	2K351(5.75)	2K750(4.75)	2K1102(6.88)	2K237(5.12)	6BFK1512	2K1328(5.12)
					2K813(4.38)	2K763(6.19)	2K121(5.62)		2K350(6.25)	2K749(4.94)	2K1103(6.56)	2K235(5.50)	6BFK1550	2K1327(5.50)
					2K812(4.56)	2K761(6.50)	2K119(5.94)		2K349(6.75)	2K748(5.25)	2K1104(6.00)	2K234(6.38)	6BFK1638	2K1326(6.38)
					2K811(4.81)	2K759(7.00)			2K348(7.00)	2K747(5.44)	2K1105(5.69)	2K325(7.06)	6BFK1	2K1330(7.06)
					2K810(5.06)	2K757(7.31)			2K347(7.62)	2K746(5.62)	2K1106(5.44)			2K1331(6.00)
					2K809(5.50)	2K755(7.62)			2K346(7.75)	2K745(5.88)	2K1107(5.19)			
					2K808(5.75)	2K753(8.06)			2K345(8.06)	2K744(6.38)	2K1108(4.75)			
		2K807(6.00)						2K743(6.75)	2K1109(4.50)					
		2K806(6.44)					2K742(7.06)	2K1110(4.06)						
		2K805(6.75)												
3	Motor adapter - seal 140-180JM and frame mounted	Cast iron	1K118	1K114	1K110	1K110	1K114	1K118		1K118				
		Sil-Brass			1K111	1K111	1K115	1K119		1K119				
	(210JM), (256TCZ)	Cast iron	1K120	1K116	1K112	1K112	1K116	1K120		1K120				
		Sil-Brass			1K113	1K113	1K117	1K121		1K121				
	Motor adapter - packing (140-180J) and frame mounted	Cast iron	1K369	1K371	1K367	1K367	1K371	1K369		1K369				
Cast iron		1K370	1K372			1K372	1K370		1K370					
4	Casing wear ring	Cast iron	4K67					4K69†	4K263		4K1247			
		Bronze	4K68					4K70†	4K264		4K1249			
5	Impeller bolt		13K43											
6	Impeller washer	AISI 303SS	13L39											
7	Impeller key		4K11											
8	Casing o-ring	BUNA	5K4	5K74	5K73		5K74	5K4						
		EPR	5K193	5K192	5K194		5K192	5K193						
		Viton	5K206	5K205	5K207		5K205	5K206						
9	Seal assembly	Carbon/ceramic BUNA	10K13											
		Carbon/sil-carb. EPR	10K19											
		Carbon/sil-carb. viton	10K27											
		Sil-carb./sil-carb./viton	10K64											
10	Shaft sleeve - mechanical seal	300SS	4K66											
	Shaft sleeve - packed box	300SS	4K473											
11	¼" pipe plug (casing)	Zinc Plated Steel	6K2 (Quantity 4)											
		Bronze	6K42 (Quantity 4)											
12	Hex head screw (casing)	Zinc	13K69 (Quantity 8)											
13	Hex head screw (motor adapter)	(140 - 180)	13K69 (Quantity 4)											
		(210)	13K102											
14	Packed box kit includes - gland	316SS	15K16											
	Packing and lantern	Teflon	15K16											
15	Gland stud (quantity 2)	300SS	13K295											
16	Gland nut (quantity 2)	300SS	13K262											

NOTES: Casing includes plugs. Impeller bolt and shaft sleeve must be removed. When replacing, bond and seal shaft sleeve and impeller bolt to shaft with Loctite AL27121.

*2½ x 3-7 pumps built after April 1, 2006 are supplied with new style impeller. Old style impeller numbers are listed for reference only. Use NEW numbers for repairs.

†2½ x 3-7 use two casing wear rings, same front and back.

‡1750 RPM only.

**3X4-7 pumps built after January 6, 2020 are supplied with the new style part. Old style numbers are listed for reference only. Performance characteristics change.

***For pumps built prior to January 6, 2020, please order Repair Kit in middle column which includes new impeller, casing & wear ring.

PUMP END PARTS FOR CLOSE-COUPLED OR FRAME MOUNTED CONFIGURATION 3656/3756 M & L-Group

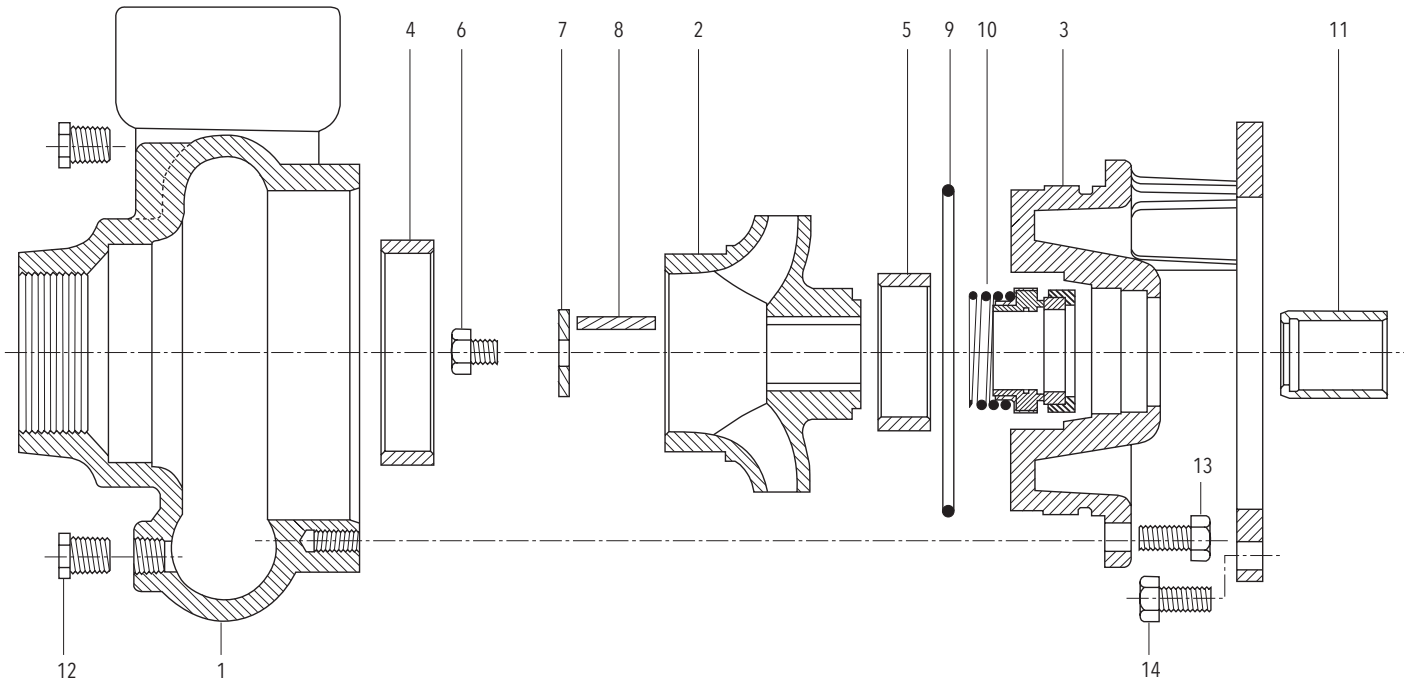
Note: For M & L-Group power frame individual parts see M & L-Group Power Frame repair parts pages:

RMPFRAME - M-Group

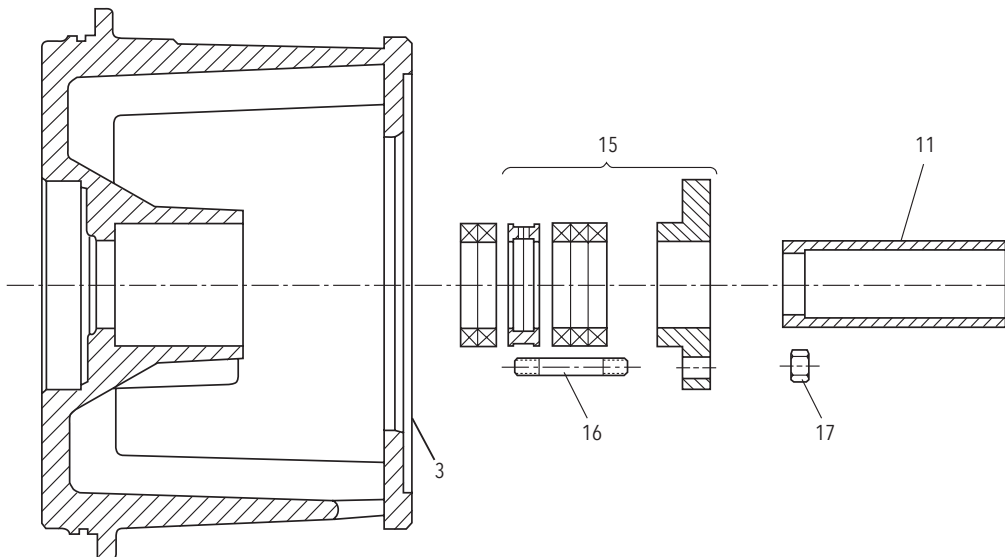
RLPFRAME - L-Group

RSAFRAME - M and L SAE Frames

Mechanical Seal Arrangement



Packed Box Arrangement 250JP - 360 TCZ, Frame Mount and SAE Drive 250JP - 445TCZ, Close-Coupled



PUMP END PARTS FOR CLOSE-COUPLED WITH 140JM, 180JM, 210JM (MECHANICAL SEAL), 140JP, 180JP, 210TCZ (PACKED BOX)

(All pumps in this section have a 7/8" Diameter Impeller Hub Bore)

3656/3756 M-Group

Item No.	Part Description	Material	Repair Part No.									
			7 AI/BF	16 AI/BF	10 AI/BF		8 AI/BF	11 AI/BF	12 AI/BF	21BF		
			2½ x 3 - 8	3 x 4 - 8	4 x 5 - 8		1½ x 2 - 10	2½ x 3 - 10	3 x 4 - 10	2½ x 3 - 9		
				OLD*	REPAIR KIT**	NEW						
1	Casing	Cast Iron	1K130	1K316	1K238		1K1129	1K132	1K236	1K237	1K236	
2	Impeller	Cast Iron	8½/16 2K573	8½/16 2K673	2K589 (8.06)	10AIK2	2K1361 (8.06)	10½/16 2K609	10½/16 2K665	10½/16 2K633		
			7½/16 2K575	7½/16 2K675	2K591 (7.88)	10AIK2788	2K1362 (7.88)	9½/16 2K611	9½/16 2K667	9¾ 2K635		
			7½/16 2K577	6¾ 2K677	2K593 (7.75)	10AIK2775	2K1363 (7.75)	8¾ 2K613	9½/16 2K669	9 2K637		
			7¾/16 2K579	6¾ 2K679	2K595 (7.50)	10AIK2750	2K1364 (7.50)	7¾ 2K615	9 2K671	8½ 2K639		
			6½/16 2K581	5½/16 2K681	2K597 (7.25)	10AIK2725	2K1365 (7.25)	7½/16 2K617	8½ 2K623	8½ 2K641		
			6½ 2K583	5½ 2K683	2K599 (7.00)	10AIK2700	2K1366 (7.00)	7¼ 2K619	8¼ 2K625	7½ 2K643		
			6¾/16 2K585	5½ 2K685	2K601 (6.75)	10AIK2675	2K1367 (6.75)	7 2K621	8 2K627			
			6¾/16 2K587	4¾ 2K687	2K603 (6.50)	10AIK2650	2K1368 (6.50)		7¾ 2K629			
					2K605 (6.06)	10AIK2606	2K1369 (6.06)		7½/32 2K631			
					2K607 (5.75)	10AIK2757	2K1370 (5.75)					
					10AIK2688	2K1371 (6.88)						
				8½/16 2K574	8½/16 2K674	2K590 (8.06)	10BFK1	2K1372 (8.06)	10½/16 2K610	10½/16 2K666	10½/16 2K634	10½/16 2K1010
				7½/16 2K576	7½/16 2K676	2K592 (7.88)	10BFK1788	2K1373 (7.88)	9½/16 2K612	9½/16 2K668	9¾ 2K636	9½/16 2K1011
				7½/16 2K578	6¾ 2K678	2K594 (7.75)	10BFK1775	2K1374 (7.75)	8¾ 2K614	9½/16 2K670	9 2K638	9½ 2K1012
				7¾/16 2K580	6¾ 2K680	2K596 (7.50)	10BFK1750	2K1375 (7.50)	7¾ 2K616	9 2K672	8½ 2K640	9¼ 2K1013
				6½/16 2K582	5½/16 2K682	2K598 (7.25)	10BFK1725	2K1376 (7.25)	7½/16 2K618	8½ 2K624	8½ 2K642	8½/16 2K1014
				6½ 2K584	5½ 2K684	2K600 (7.00)	10BFK1700	2K1377 (7.00)	7¼ 2K620	8¼ 2K626	7½ 2K644	8½ 2K1015
				6¾/16 2K586	5½ 2K686	2K602 (6.75)	10BFK1675	2K1378 (6.75)	7 2K622	8 2K628		8½/16 2K1016
				6¾/16 2K588	4¾ 2K688	2K604 (6.50)	10BFK1650	2K1379 (6.50)		7½ 2K630		8 2K1017
						2K606 (6.06)	10BFK1606	2K1380 (6.06)		7½ 2K632		7½/16 2K1018
				2K608 (5.75)	10BFK1575	2K1381 (5.75)						
					10BFK1688	2K1382 (6.88)						
3	Motor adapter 140-180JM	Cast Iron	1K114				1K319					
	-Seal 210JM		1K116				1K320					
	Motor adapter 140-180JP		1K371				1K381					
	-Packing 210TCZ		1K372				-					
4	Front wear ring	Cast Iron	4K265	4K350	4K352		4K1246	4K267	4K265	4K350		
		Bronze	4K266	4K351	4K353		4K1245	4K268	4K266	4K351	4K266	
5	Back wear ring	Cast Iron	-	-	-	-	-	-	-	-	-	
		Bronze	-	-	-	-	-	-	-	-	-	
6	Impeller bolt					13K43						
7	Impeller washer	AISI 303 SS				13L39						
8	Square key					4K11						
9	O-ring	BUNA	5K74				5K155					
		Viton	5K205				5K208					
		EPR	5K192				5K318					
10	Seal assembly Carbon/ceramic	BUNA	10K13									
	Carbon/Sil-carb.	EPR	10K19									
	Carbon/Sil-carb.	Viton	10K27									
	Sil-carb./Sil-carb.	Viton	10K64									
11	Shaft sleeve	300 SS					4K66					
	Seal packing						4K473					
12	¾" NPT plug	Zinc Plated Steel	6K2			6K3						
13	Casing HD screw (Quantity 8)						13K69					
14	Motor screw (Quantity 4)						13K69 (140 & 180 JM/JP) and 13K102 (250 JM/JP & Frame)					
15	Packed box kit includes: Gland Packing & lantern ring	316 SS					15K16					
		Teflon										
16	Stud, gland (Quantity 2)	300 SS					13K295					
17	Hex nut, gland (Quantity 2)	300 SS					13K262					
	Loctite #271						AL27121					

*4X5-8 pumps built after January 6, 2020 are supplied with the new style part. Old style numbers are listed for reference only. Performance characteristics change.

**For pumps built prior to January 6, 2020, please order Repair Kit in middle column which includes new impeller, casing & wear ring.

PUMP END PARTS FOR CLOSE-COUPLED WITH 250JM-360TCZ (MECHANICAL SEAL), 210JP-445TCZ (PACKED BOX) AND ALL FRAME MOUNTED CONFIGURATION 3656/3756 M-Group

Note: For M & L-Group power frame individual parts, see M & L-Group Power Frame repair parts page.

Item No.	Part Description	Material	Repair Part No.											
			7 AI/BF	16 AI/BF	10 AI/BF			8 AI/BF	11 AI/BF	12 AI/BF	17BF	21BF		
			2½ x 3-8	3 x 4-8	4 x 5-8			1½ x 2-10	2½ x 3-10	3 x 4-10	4 x 6-10	2½ x 3-9		
			OLD**	REPAIR KIT***	NEW									
1	Casing	Cast Iron	1K130	1K316	1K238		1K1129	1K132	1K236	1K237	1K351	1K236		
2	Impeller	Cast Iron	7 ¹ / ₁₆ 2K168	8 ¹ / ₁₆ 2K689	2K645 (8.06)	10AIK1	2K1335 (8.06)	9 ³ / ₁₆ 2K176	10 ¹ / ₁₆ 2K370	10 ¹ / ₁₆ 2K395				
			7 ³ / ₁₆ 2K170	7 ⁷ / ₁₆ 2K691	2K647 (7.88)	10AIK1788	2K1336 (7.88)	8 ³ / ₈ 2K178	9 ⁷ / ₈ 2K371	9 ³ / ₄ 2K396				
			6 ¹³ / ₁₆ 2K172	6 ³ / ₈ 2K693	2K649 (7.75)	10AIK1775	2K1337 (7.75)	7 ³ / ₄ 2K180	9 ⁵ / ₈ 2K372	9 2K397				
			6 ³ / ₈ 2K174	6 ³ / ₈ 2K695	2K651 (7.50)	10AIK1750	2K1338 (7.50)	7 2K182	9 2K373	8 ⁵ / ₈ 2K398				
			6 ³ / ₈ 2K480	5 ¹⁵ / ₁₆ 2K697	2K653 (7.25)	10AIK1725	2K1339 (7.25)	10 ¹ / ₁₆ 2K490	8 ⁵ / ₈ 2K374	8 ¹ / ₈ 2K399				
			7 ⁷ / ₁₆ 2K482	5 ¹ / ₂ 2K699	2K655 (7.00)	10AIK1700	2K1340 (7.00)	7 ³ / ₈ 2K492	8 ¹ / ₄ 2K375	7 ⁵ / ₈ 2K400				
				5 ¹ / ₈ 2K701	2K657 (6.75)	10AIK1675	2K1341 (6.75)	7 ¹ / ₄ 2K468	8 2K376					
				4 ⁵ / ₈ 2K703	2K659 (6.50)	10AIK1650	2K1342 (6.50)		7 ⁵ / ₈ 2K377					
					2K661 (6.06)	10AIK1606	2K13423 (6.06)		7 ⁵ / ₈ 2K378					
					2K663 (5.75)	10AIK1575	2K1344 (5.75)							
							2K1346 (6.19)							
							2K1347 (6.88)							
						2K1345 (7.38)								
				Sil-Brass	7 ¹⁵ / ₁₆ 2K169	8 ¹ / ₁₆ 2K690	2K646 (8.06)	10BFK1	2K1348 (8.06)	9 ³ / ₁₆ 2K177	10 ¹ / ₁₆ 2K379	10 ¹ / ₁₆ 2K401	10 ¹ / ₁₆ 2K816	10 ¹ / ₁₆ 2K1001
			7 ³ / ₁₆ 2K171		7 ⁷ / ₁₆ 2K692	2K648 (7.88)	10BFK1788	2K1349 (7.88)	8 ³ / ₈ 2K179	9 ⁷ / ₈ 2K380	9 ³ / ₄ 2K402	9 ⁵ / ₈ 2K818	9 ⁵ / ₈ 2K1002	
			6 ¹³ / ₁₆ 2K173		6 ³ / ₈ 2K694	2K650 (7.75)	10BFK1775	2K1350 (7.75)	7 ³ / ₄ 2K181	9 ⁵ / ₈ 2K381	9 2K403	9 ⁵ / ₈ 2K820	9 ¹ / ₂ 2K1003	
			6 ³ / ₈ 2K175		6 ³ / ₈ 2K696	2K652 (7.50)	10BFK1750	2K1351 (7.50)	7 2K183	9 2K382	8 ⁵ / ₈ 2K404	8 ¹¹ / ₁₆ 2K822	9 ¹ / ₄ 2K1004	
			6 ³ / ₈ 2K481		5 ¹⁵ / ₁₆ 2K698	2K654 (7.25)	10BFK1725	2K1352 (7.25)	10 ¹ / ₁₆ 2K491	8 ⁵ / ₈ 2K383	8 ¹ / ₂ 2K405	8 ¹ / ₈ 2K824	8 ¹⁵ / ₁₆ 2K1005	
			7 ⁷ / ₁₆ 2K483		5 ¹ / ₂ 2K700	2K656 (7.00)	10BFK1700	2K1353 (7.00)	7 ³ / ₈ 2K493	8 ¹ / ₄ 2K384	7 ⁵ / ₈ 2K406	7 ³ / ₄ 2K826	8 ¹ / ₂ 2K1006	
					5 ¹ / ₈ 2K702	2K658 (6.75)	10BFK1675	2K1354 (6.75)	7 ¹ / ₄ 2K469	8 2K385	9 ¹ / ₈ * 2K831		8 ³ / ₈ 2K1007	
					4 ⁵ / ₈ 2K704	2K660 (6.50)	10BFK1650	2K1355 (6.50)		7 ⁵ / ₈ 2K386	8 ³ / ₄ * 2K832		8 2K1008	
						2K662 (6.06)	10BFK1606	2K1356 (6.06)		7 ⁵ / ₈ 2K387	8 ¹ / ₁₆ * 2K833		7 ¹ / ₁₆ 2K1009	
						2K664 (5.75)	10BFK1575	2K1357 (5.75)			8 ¹ / ₈ * 2K834			
								2K1359 (6.19)			7 ³ / ₄ * 2K835			
								2K1360 (6.88)			7 ⁵ / ₈ * 2K836			
							2K1358 (7.38)			7 ¹ / ₄ * 2K837				
										7 ¹ / ₁₆ * 2K838				
										6 ³ / ₄ * 2K839				
3	Motor adapter - seal 210TCZ-250JM & frame mounted, 280JM-360TCZ	Cast Iron	1K136	1K317	1K317			1K138						
	1K242		1K318	1K318			1K243							
	1K357		1K358	1K358			1K355							
	1K359		1K360	1K360				1K356		-	1K356			
4	Front wear ring	Cast Iron	4K265	4K350	4K352		4K1246	4K267	4K265	4K350	-			
		Bronze	4K266	4K351	4K353		4K1245	4K268	4K266	4K351	4K363	4K265		
5	Back wear ring	Cast Iron	4K265	4K350	4K350			4K265	4K265	-	-			
		Bronze	4K266	4K351	4K351			4K266	4K266	4K266*	4K351	4K265		
6	Impeller bolt	AISI 303 SS	13K155 (SAE Drive use 13K341)											
7	Impeller washer		13K241											
8	Square key		4K261											
9	O-ring	BUNA	5K74				5K155							
		Viton	5K205				5K208							
		EPR	5K192				5K318							
10	Seal assembly Carbon/ceramic	BUNA	10K16											
	Carbon/Sil-carb.	EPR	10K20											
	Carbon/Sil-carb.	Viton	10K45											
	Sil-carb./Sil-carb.	Viton	10K65											
11	Shaft sleeve, mech. seal	SS	4K262											
	Shaft sleeve, packed box	SS	4K455											
12	¾" NPT plug (Quantity 2)	Zinc	6K2			6K3								
13	Casing HD screw (Quantity 8)	Plated	13K69											
14	Motor screw (Quantity 4)	Steel	13K102 (250 JM/JP & frame mounted)					13K247 (280 JM/JP & larger)						
15	Packed box kit includes: Gland	316SS	15K3											
	Packing & lantern ring	Teflon												
16	Stud, gland (Quantity 2)	300 SS	13K291											
17	Hex nut, gland (Quantity 2)	300 SS	13K292											
	Loctite #271		AL27121											

* 3500 RPM units ** 4X5-8 pumps built after January 6, 2020 are supplied with the new style part. Old style numbers are listed for reference only. Use NEW impellers for repair.

*** For pumps built prior to January 6, 2020, please order Repair Kit in middle column which includes new impeller, casing & wear ring.

PUMP END PARTS FOR CLOSE-COUPLED WITH 250JM-360TCZ (MECHANICAL SEAL), 210JP-445TCZ (PACKED BOX) AND ALL FRAME MOUNTED CONFIGURATION 3656/3756 M-Group

Note: For M & L-Group power frame individual parts, see M & L-Group Power Frame repair parts page.

Item No.	Part Description	Material	Repair Part No.				
			13 AI/BF		14 AI/BF	15 AI/BF	
			2½ x 3-13		3 x 4-13	4 x 6-13	
			M-Group		M-Group	M-Group	
		OLD*	NEW				
1	Casing	Cast Iron	2K407 (13.06)	2K1301 (13.06)	1K240	1K479	
2	Impeller	Cast Iron	2K408 (12.75)	2K1302 (12.75)	13 ¹ / ₁₆ 2K419	13 ¹ / ₁₆ 2K979	
			2K409 (11.88)	2K1303 (11.75)	12 ⁷ / ₁₆ 2K420	12 ⁷ / ₁₆ 2K443	
			2K410 (11.38)	2K1304 (11.25)	12 ⁷ / ₁₆ 2K421	12 ¹ / ₂ 2K444	
			2K411 (9.88)	2K1305 (10.25)	12 2K422	12 ¹ / ₄ 2K445	
			2K412 (9.38)	2K1306 (9.50)	11 ³ / ₄ 2K423	11 ⁷ / ₈ 2K446	
				2K1307 (12.25)	11 ⁵ / ₁₆ 2K424	11 ³ / ₈ 2K447	
				2K1308 (10.75)	10 ³ / ₄ 2K425	11 ¹ / ₁₆ 2K448	
					10 ¹ / ₈ 2K426	10 ⁷ / ₈ 2K449	
					9 ¹ / ₈ 2K427	10 ¹ / ₂ 2K450	
					8 ¹ / ₁₆ 2K428	10 ¹ / ₄ 2K451	
				8 2K429	9 ⁷ / ₈ 2K452		
				7 ⁹ / ₁₆ 2K430	9 ³ / ₈ 2K453		
				2K413 (13.06)	2K1309 (13.06)	13 ³ / ₁₆ 2K431	13 ¹ / ₁₆ 2K980
				2K414 (12.75)	2K1310 (12.75)	12 ⁷ / ₁₆ 2K432	12 ⁷ / ₈ 2K454
				2K415 (11.88)	2K1311 (11.75)	12 ⁷ / ₁₆ 2K433	12 ¹ / ₂ 2K455
				2K416 (11.38)	2K1312 (11.25)	12 2K434	12 ¹ / ₄ 2K456
				2K417 (9.88)	2K1313 (10.25)	11 ³ / ₄ 2K435	11 ⁷ / ₈ 2K457
				2K418 (9.38)	2K1314 (9.50)	11 ⁵ / ₁₆ 2K436	11 ³ / ₈ 2K458
					2K1315 (12.25)	10 ³ / ₄ 2K437	11 ¹ / ₁₆ 2K459
					2K1316 (10.75)	10 ¹ / ₈ 2K438	10 ⁷ / ₈ 2K460
				9 ¹ / ₈ 2K439	10 ¹ / ₂ 2K461		
				8 ¹ / ₁₆ 2K440	10 ¹ / ₄ 2K462		
				8 2K441	9 ⁷ / ₈ 2K463		
				7 ⁹ / ₁₆ 2K442	9 ³ / ₈ 2K464		
3	Motor adapter - seal 210TCZ-250JM and frame mounted	Cast Iron	1K244				
	280JM-360TCZ		1K245				
	Motor adapter - packing 210JP-250JP and frame mounted		1K361				
	280JP-360TCZ		1K362				
4	Front wear ring	Cast Iron	4K265	4K350	4K362		
		Bronze	4K266	4K351	4K363		
5	Back wear ring	Cast Iron	4K350	4K350	4K350		
		Bronze	4K351	4K351	4K351		
6	Impeller bolt		13K155				
7	Impeller washer	AISI 303 SS	13K241				
8	Square key		4K261				
9	O-ring	BUNA	5K199				
		Viton	5K209				
10	Seal assembly Carbon/ceramic	BUNA	10K16				
	Carbon/Sil-carb.	EPR	10K20				
	Carbon/sil-carb.	Viton	10K45				
	Sil-carb./sil-carb.	Viton	10K65				
11	Shaft sleeve, mech. seal	SS	4K262				
	Shaft sleeve, packed box	SS	4K455				
12	¾" NPT plug (Quantity 2)	Zinc	6K3				
13	Casing HD screw (Quantity 8)	Plated	13K102				
14	Motor screw (Quantity 4)	Steel	13K102 (250JM/250JP and frame mounted)		13K247 (280JM/JP and larger)		
15	Packed box kit includes:						
	Gland	316SS	15K3				
	Packing & lantern ring	Teflon					
16	Stud, gland (Quantity 2)	300SS	13K291				
17	Hex nut, gland (Quantity 2)	300SS	13K292				
	Loctite #271		AL27121				

* 2 1/2 X 3 - 13 pumps built after January 6, 2020 are supplied with the new style part. Old style numbers are listed for reference only. Use NEW impellers for repair. Performance characteristics change.

PUMP END PARTS FOR CLOSE-COUPLED WITH 250JM-360TCZ (MECHANICAL SEAL), 210JP-445TCZ (PACKED BOX) AND ALL FRAME MOUNTED CONFIGURATION 3656/3756 L-Group

Note: For M & L-Group power frame individual parts, see M & L-Group Power Frame repair parts page.

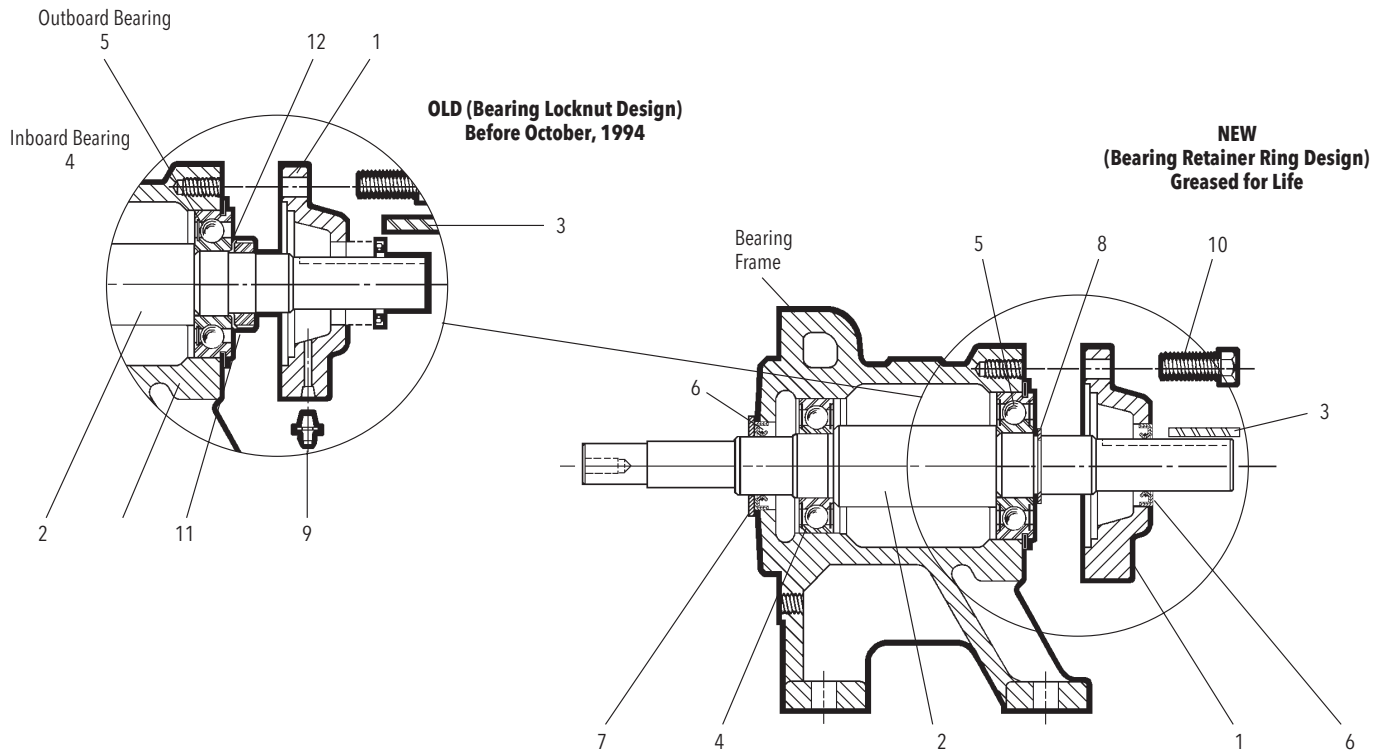
Item No.	Part Description	Material	Repair Part No.			
			18BF	18BF	19 BF	20BF
			6 x 8-13	6 x 8-13	8 x 10-13	4 x 6-16
			M-Group		L-Group	
1	Casing	Cast Iron	1K352	1K352	1K353	1K354
2	Impeller	Sil-Brass	1180 RPM			
			9½ 2K851		9¾ 2K897	
			10 2K850		10⅞ 2K896	
			10½ 2K849		11¼ 2K895	
			10⅞ 2K848		11⅝ 2K894	
			11⅞ 2K847		11⅞ 2K893	
			11⅞ 2K846		12⅝ 2K892	
			11⅞ 2K889		12¾ 2K891	
			12⅝ 2K888		13 2K890	
			12½ 2K887			
			13 2K886			
			1750 RPM			
			11⅞ 2K846	13 2K842	13 2K860	16 2K873
			11⅞ 2K847	12½ 2K843	12¾ 2K861	15⅞ 2K874
			10⅞ 2K848	12⅝ 2K844	12⅞ 2K862	15⅞ 2K875
			10½ 2K849	11⅞ 2K845	11⅞ 2K863	14½ 2K876
			10 2K850	11⅞ 2K880	11⅞ 2K864	13¾ 2K877
			9½ 2K851	11⅞ 2K881	11¼ 2K865	
				10⅞ 2K882	10⅞ 2K866	
				10½ 2K883	9¾ 2K867	
	10 2K884					
	9½ 2K885					
3	Motor adapter - Mech. seal Frame Mounted 210JP-250JP 280-360TCZ 360JP-400TCZ 440TCZ	Cast Iron	-	1K377	1K379	
			1K377	1K377	1K380	
			1K378	1K378	-	
	-		1K480 & 1K412	-		
	-		1K373	1K375		
	-		1K374	1K376		
	-		1K480 & 1K412	-		
Motor adapter - Packed box Frame Mounted 210JP-250JP 280-360TCZ 360JP-400TCZ 440TCZ	-	1K480 & 1K412	-			
	1K373	1K373	1K375			
4	Front wear ring	Bronze	4K475	4K476	4K477	
5	Back wear ring	Bronze	4K474	4K476	4K477	
6	Impeller bolt	AISI 303 SS	13K155 (SAE Drive use 13K341)			
7	Impeller washer		13K290			
8	Square key		4K460			
9	O-ring	BUNA	5K199		5K298	
		Viton	5K209		5K299	
10	Seal assembly (Stat / Rot) Ceramic/carbon	BUNA	10K84			
	Sil-carb./Carbon	Viton	10K112			
	Sil-carb./sil-carb.	Viton	10K144			
11	Shaft sleeve, mech. seal Frame Mounted 210-320 360-440TCZ	300 SS	-	4K457		
				4K457		
			4K459			
	Shaft sleeve, packed box Frame Mounted 210-320 360-440TCZ		-	4K456		
				4K456		
	4K458					
12	Plug, casing (Quantity 2)	Zinc Plated Steel	6K3			
13	Bolt, casing (Quantity 8)		13K69			
14	Bolt, motor (Quantity 4) Frame Mounted		13K102 (Quantity 4)			
	210-250		13K247 (Quantity 4)			
	280-405TCZ 445TCZ		13K247 (Quantity 8)			
15	Packed box kit includes: Gland	316SS	15K4			
	Packing & lantern ring	Teflon				
16	Stud, gland (Quantity 2)	300SS	13K291			
17	Hex nut, gland (Quantity 2)	300SS	13K292			

Commercial Water Systems

S-GROUP POWER FRAMES AND PARTS

3756/3757/SSH S-Group

- 14L52 - Complete assembly for mechanical seal pumps.
- 15K17 - Complete assembly for packed box pumps.



Complete Bearing Frame Assemblies:

Order 14L52 for mechanical seal models.

Order 15K17 for packed box models.

ITEM NO.	OLD Regreasable	NEW Grease for life	DESCRIPTION	MATERIAL	PATTERN NO.
1	1K437	1K322	Bearing cover	Cast iron	59027
2	4K277 -	4K410 4K478	Shaft - mechanical seal Shaft - packed box	Steel Steel	
3	4K278	4K278	Key - motor end	Steel	
4	4K279	4K412	Inboard bearing	Steel	
5	4K280	4K413	Outboard bearing	Steel	
6	5K159	5K159	Lip seal	BUNA/steel	
7	5K160	5K160	Deflector	BUNA-N	
8	NA	5K245	Retaining ring	Steel	
9	6K80	NA	Grease fitting - frame and bearing cover	Steel	
10	13K80	13K80	Hex head cap screw - bearing cover	Steel	
11	13K166	NA	Locknut	Steel	
12	13K167	NA	Lockwasher	Steel	

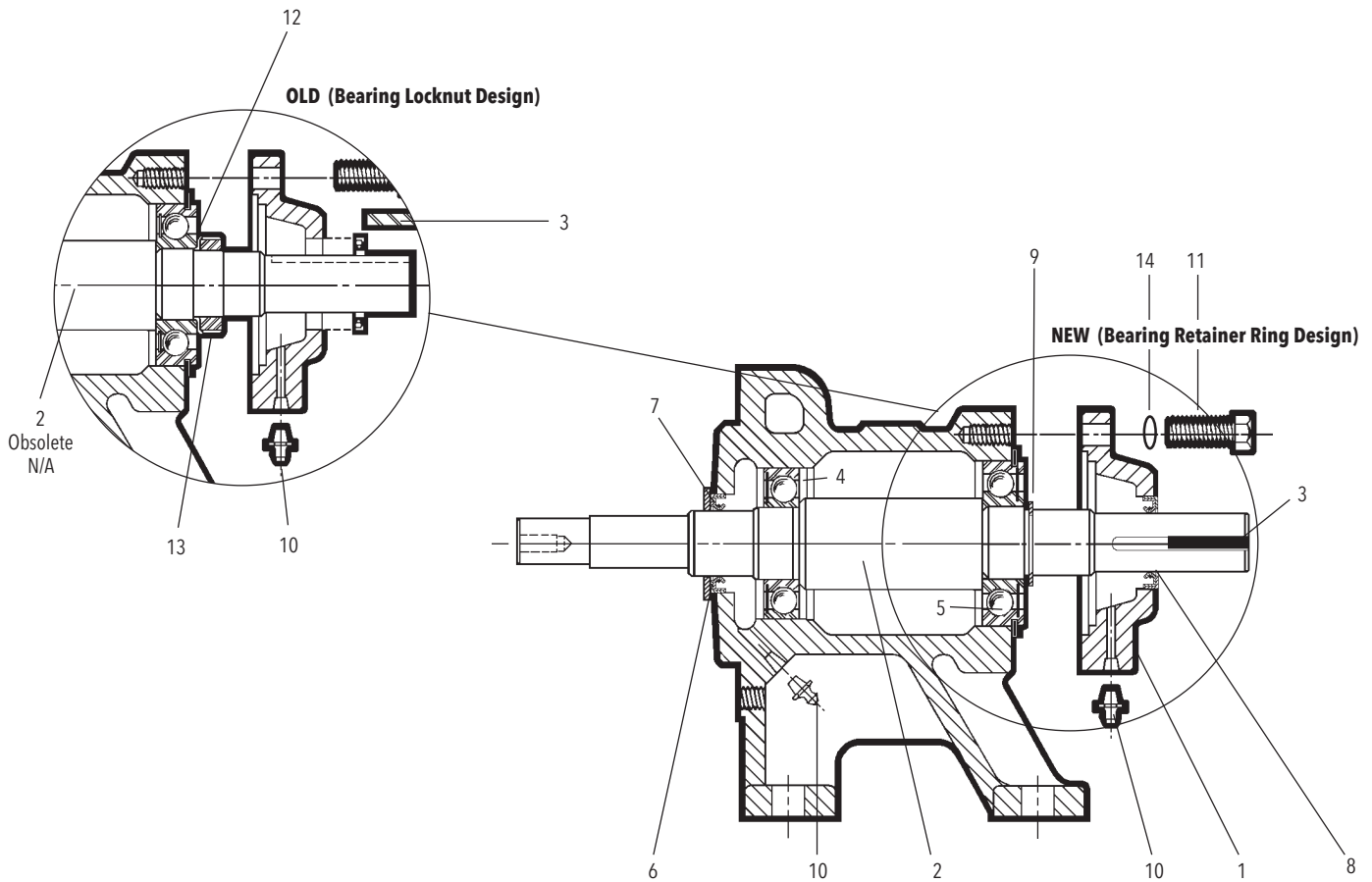
For parts pricing and package stock quantities refer to published parts price list using "K" part no. listed above.

Shaft and mounting face duplicates NEMA 184JM dimensions.

M&L-GROUP POWER FRAME

3756/3757/SSH M&L-Group

For models 3756, 3757 and SSH mechanical seal pumps and 3756 packed box pumps.



Commercial Water Systems

M&L-GROUP POWER FRAME REPAIR PARTS

3756/3757/SSH M&L-Group

For models 3756, 3757 and SSH mechanical seal pumps and 3756 packed box pumps.

M-Group:

ITEM NO.	PART NO.	DESCRIPTION	MATERIAL	PATTERN NO.
	14L60	Power Frame Complete, Mechanical Seal Pump		
	15K6	Power Frame Complete, Packed Box Pump		
1	1K147	Bearing cover	Cast iron	59056
2	4K411	Shaft - mechanical seal version	Steel	
	4K453	Shaft - packed box version	Steel	
3	4K292	Shaft key - motor end	Steel	
4	4K293	Ball bearing - inboard	Steel	
5	4K556	Ball bearing - outboard	Steel	
6	5K163	Deflector	BUNA-N	
7	5K164	Lip seal - inboard	BUNA/Steel	
8	5K164	Lip seal - mechanical seal	BUNA/Steel	
	5K280	Lip seal - packed box	BUNA/Steel	
9	5K246	Retaining ring	Steel	
10	6K80	Grease fitting - frame and bearing cover	Steel	
11	13K80	Hex head cap screw - $\frac{3}{8}$ " - 16 x 1.25	Zinc-Plated Steel	
12	13K183	Lockwasher	Zinc-Plated Steel	
13	13K184	Locknut	Zinc-Plated Steel	
14	13K158	Lockwasher $\frac{3}{8}$ "	Zinc-Plated Steel	

For parts pricing and package stock quantities refer to published parts price list using "K" part no. listed above.

Shaft and mounting face duplicates NEMA 254JM dimensions.

L-Group:

ITEM NO.	PART NO.	DESCRIPTION	MATERIAL	PATTERN NO.
	15K7	Power Frame Complete (Mechanical Seal or Packed Box)		
1	1K147	Bearing cover	Cast iron	59056
2	4K454	Shaft	Steel	
3	4K292	Shaft key - motor end (not shown)	Steel	
4	4K293	Ball bearing - inboard	Steel	
5	4K469	Ball bearing - outboard	Steel	
6	5K163	Deflector	BUNA-N	
7	5K164	Lip seal - inboard	BUNA/Steel	
8	5K280	Lip seal - outboard	BUNA/Steel	
9	5K246	Retaining ring	Steel	
10	6K80	Grease fitting - frame and bearing cover	Zinc-Plated Steel	
11	13K80	Hex head cap screw - bearing cover	Zinc-Plated Steel	
14	13K158	Lockwasher $\frac{3}{8}$ "	Zinc-Plated Steel	

For parts pricing and package stock quantities refer to published parts price list using "K" part no. listed above.

Xylem |'zīləm|

- 1) The tissue in plants that brings water upward from the roots;
- 2) a leading global water technology company.

We're a global team unified in a common purpose: creating advanced technology solutions to the world's water challenges. Developing new technologies that will improve the way water is used, conserved, and re-used in the future is central to our work. Our products and services move, treat, analyze, monitor and return water to the environment, in public utility, industrial, residential and commercial building services settings. Xylem also provides a leading portfolio of smart metering, network technologies and advanced analytics solutions for water, electric and gas utilities. In more than 150 countries, we have strong, long-standing relationships with customers who know us for our powerful combination of leading product brands and applications expertise with a strong focus on developing comprehensive, sustainable solutions.

For more information on how Xylem can help you, go to www.xylem.com

Order Online: www.PumpCatalog.com



Xylem Inc.
2881 East Bayard Street Ext., Suite A
Seneca Falls, NY 13148
Phone: (866) 673-0428
Fax: (888) 322-5877
www.xylem.com/goulds

Goulds is a registered trademark of Goulds Pumps, Inc. and is used under license.
© 2020 Xylem Inc. R36/3756 R3 March 2020