



**MODELS A10-12 (1¼"), A10-2015 (1½") AND A10-20 (2")**

Provide an easy means of removing pump from a wet-well by utilizing a quick disconnect and guide rail system.

Connect directly to 1¼", 1½" or 2" vertical discharge Effluent, Wastewater and Grinder pumps.

Adaptable to 1¼", 1½" and 2" threaded, horizontal discharge pumps by using a street elbow.

Two piece 96" long fabricated SS rail assembly (2 easily coupled 48" long pieces for shipping convenience and ease of handling).

Corrosion resistant design

**STANDARD GUIDE RAIL COMPONENTS**

SS Guide rails, base, cross braces and pump brackets.

SS Lifting cable, 96" long x 3/16" cable.

Brass quick disconnect with o-ring seal.

Schedule 40 galvanized discharge pipe.

Optional stainless steel pipe nipples are available (contact factory).

Cast iron check valve with BUNA ball.

SS Tee handle for shut-off valve is supplied (it is for use with the optional discharge pipe assemblies).

# GUIDE RAIL SYSTEMS AND DISCHARGE PIPE ASSEMBLIES

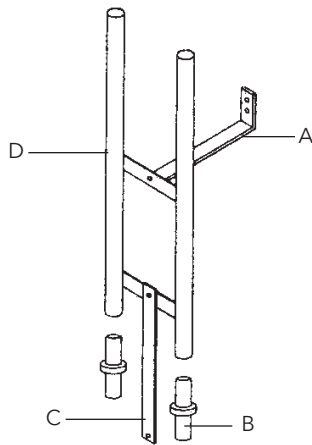
STAINLESS STEEL

### ORDER NUMBERS / QUANTITY REQUIRED

Slide Rail Order Number	Pump Discharge	Discharge Size (Inches)	Standard Discharge From Bottom
<b>A10-12</b>	1¼"	1¼"	36"
<b>A10-2015</b>	1½"	2"	36"
<b>A10-20</b>	2"	2"	36"

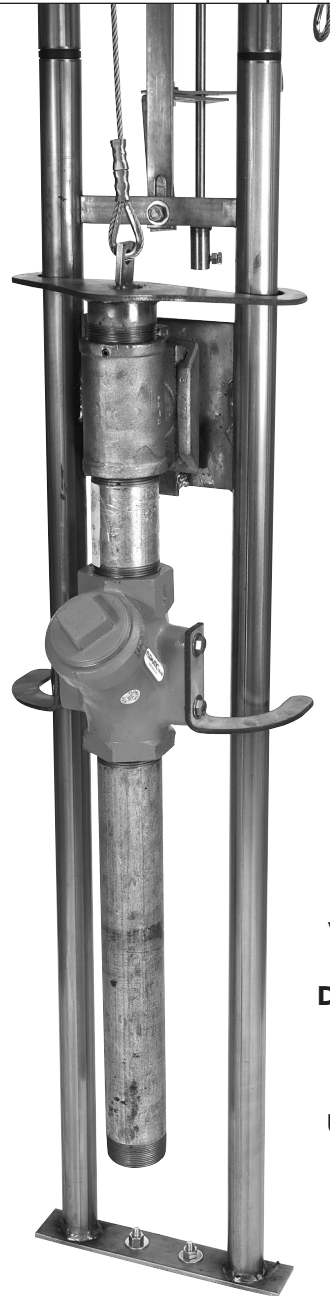
### EXTENSION KITS INCLUDE:

	<b>Quantity</b>	<b>Item #</b>
• Stainless steel wall bracket	1	A
• Guide rail connectors	2	B
• Stainless steel attachment brace	1	C
• Stainless steel rail extension	1	D
• Stainless steel nuts, bolts and washers		
• Cable extension - not shown		



A10-2024EXT

Order Number	Length
A10-2012 EXT	12"
A10-2024 EXT	24"
A10-2048 EXT	48"



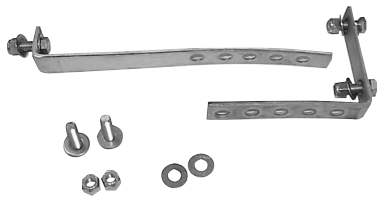
**View of Lower Guide Rail showing Brass Disconnect, Ball Check Valve/Lower Pump Bracket Assembly, Lifting Cable and Upper Pump Bracket.**

### SYSTEM COMPONENTS AND DIMENSION CHART FOR A10-12, A10-2015 AND A10-20

Item No.	Dimension	Descriptions and Quantities
1	3/16" x 96" long	Stainless steel lifting cable
2	47" long	Stainless steel valve extension handle
3	11" min. - 14" max.	Adjustable stainless steel wall (support) brackets (qty. 2) includes (5) 3/8" SS bolts, nuts and washers
4	1 1/2" O.D.	Stainless steel guide rail tubing, 304 SS, 16 gauge
5	N/A	Stainless steel upper pump/guide bracket
6	1 1/4" (A10-12), 2" (A10-2015 & A10-20)	1 1/4" Brass quick disconnect assembly, 2" Brass quick disconnect assembly
		Discharge is 36" up from base to discharge centerline
7	1 1/4" (A10-12), 2" (A10-2015 & A10-20)	Cast iron ball check valve and lower pump bracket assembly with BUNA ball and clean-out port
8	1 1/4" (A10-12), 1 1/2" x 2" (A10-2015), 2" (A10-20)	Schedule 40 galvanized discharge pipe (SS discharge pipes are available as a special order option)
9	11" wide (2) 1/2" holes	Base or stud mounting plate
10	11 1/2" long, 1/2" hole and 1/2" x 1 1/2" slot	SS attachment brace - connects the (2) 48" guide rail halves, includes (2) 3/8" SS bolts, nuts and washers
11	N/A	Plastic guide rail connectors (2) fit inside SS rails
12	18 1/2" - 19" spacing	Stainless steel intermediate braces (3) on upper rail assembly
13	4 1/2" - 5 1/2" end to C/L	Upper and lower cross brace dimensions from end of rail



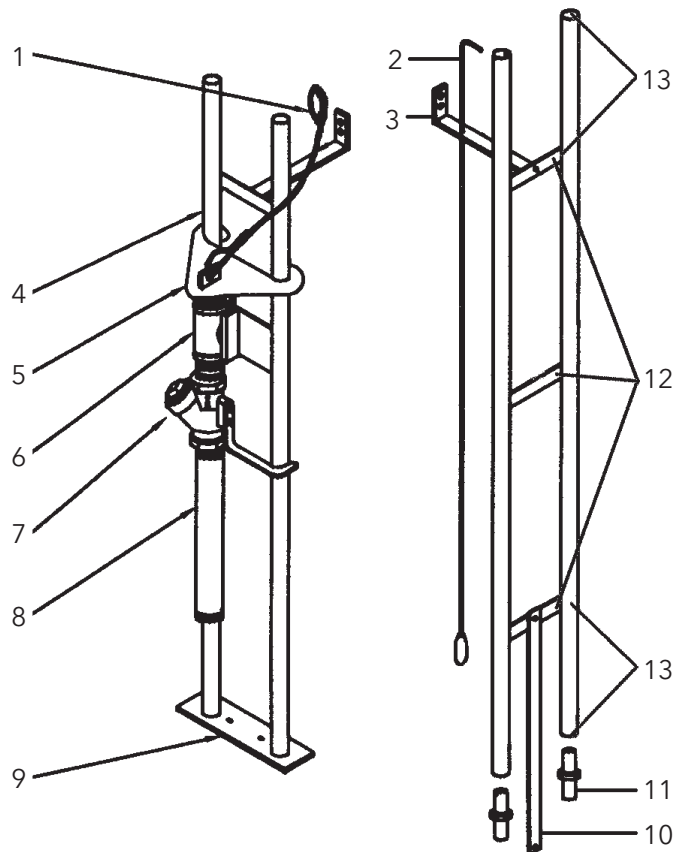
**Stainless Steel Attachment Brace**



**Stainless Steel Wall Bracket Assembly**



**Valve End of Shut-Off Valve Handle**



## DISCHARGE PIPE ASSEMBLIES H12S, H20S, H12D, H20D

### FEATURES

- Simplex discharge piping includes a union and a shut-off valve:  
**H12S** (1¼") discharge - use with **A10-12**;  
**H20S** (2") discharge - use with **A10-2015** or **A10-20**.
- Duplex discharge piping includes (2) unions, (2) shut-off valves and a tee assembly; **H12D** (1¼") discharge - use with **A10-12**; **H20D** (2") discharge - use with **A10-2015** or **A10-20**.

Items in bold type are product Order Numbers.

All pipe and fitting galvanized steel. Contact factory for stainless steel option.

### Simplex Discharge Assemblies H12S and H20S

Assembled kits contain a brass gate valve, union and galvanized pipe nipples. Ready for connection to the appropriate guide rail assembly.

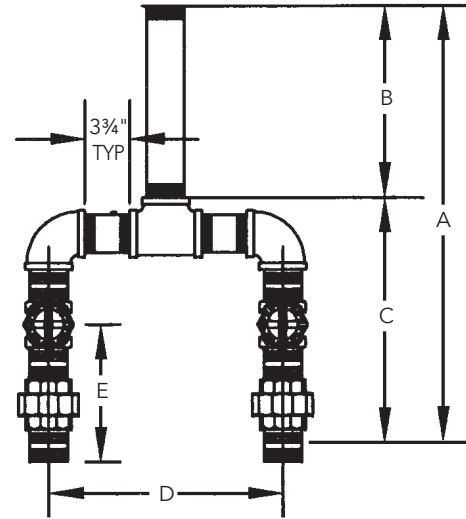
### Duplex Discharge Piping Assemblies H12D and H20D

Assembled kits contain (2) brass gate valves, (2) unions, a tee and (2) elbows. Ready for connection to the appropriate guide rail (2) assemblies.

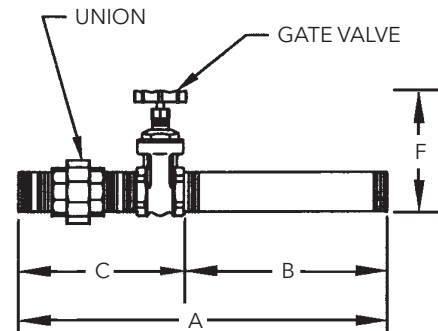
Dimension	Discharge Piping Order Number (dimensions in inches)			
	H12S	H20S	H12D	H20D
A	20	20	24	26
B	12	12	12	12
C	8	8	12	14
D	NA	NA	14	18
E	NA	NA	6	7
F	5.5	8	5.5	8

\* Stainless steel option available. Consult factory.

Discharge Pipe	Rail System	Configuration
H12S	A10-12	Simplex
H12D	A10-12	Duplex
H20S	A10-15, 20	Simplex
H20D	A10-15, 20	Duplex



**Duplex Discharge Kit**



**Simplex Discharge Kit**

**xylem**  
Let's Solve Water

Xylem, Inc.  
2881 East Bayard Street Ext., Suite A  
Seneca Falls, NY 13148  
Phone: (866) 325-4210  
Fax: (888) 322-5877  
[www.xylem.com/brands/centripro](http://www.xylem.com/brands/centripro)

CentriPro is a trademark of Xylem Inc. or one of its subsidiaries.  
Oil Smart is a registered trademark of See Water Inc.  
© 2012 Xylem, Inc. BCPSSGR R6 April 2012

Order Online: [www.PumpCatalog.com](http://www.PumpCatalog.com)