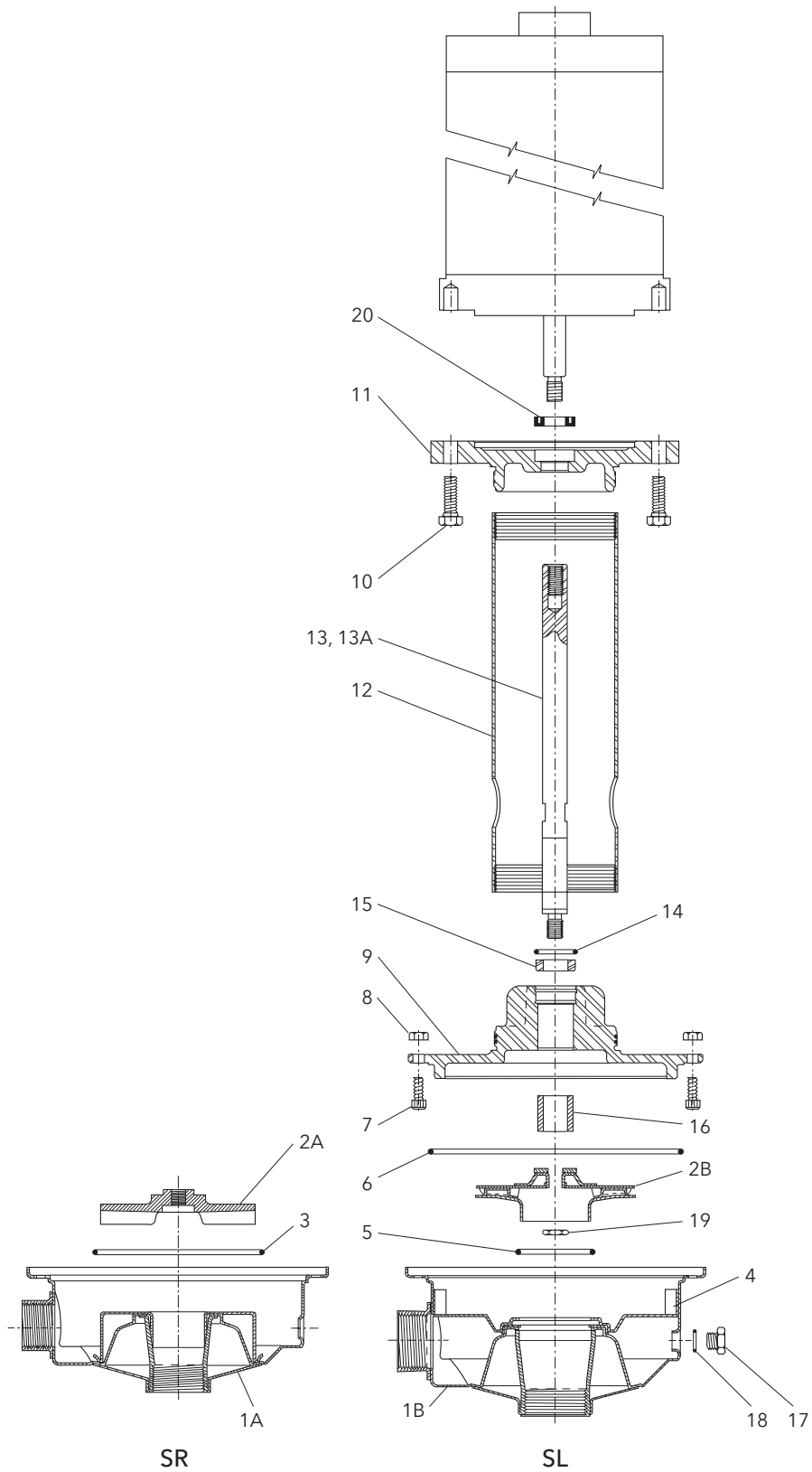


NPV

VERTICALLY IMMERSED STAINLESS STEEL END SUCTION PUMP





BILL OF MATERIAL

Item	Description	Material	Quantity	Repair Parts Order No.						
SR ONLY	1A	Casing, pump SR	AISI 304 SS	1	100SR	125SR	150SR			
					1L499	1L440	1L441			
	2A	Impeller (open)	AISI 316 SS	1	2K562 (3.00)	2L710 (3.44)	2L717 (3.75)			
					2K561 (3.25)	2L709 (3.75)	2L716 (4.19)			
					2K560 (3.50)	2L708 (4.06)	2L715 (4.44)			
					2K559 (3.75)	2L707 (4.31)	2L714 (4.62)			
					2K558 (4.00)	2L706 (4.62)	2L713 (4.94)			
				2K557 (4.31)	2L705 (5.06)	2L712 (5.25)				
				2K710 (5.00)	2L704 (5.31)	2L711 (5.44)				
				2K711 (5.38)	-	-				
3A	O-ring, internal casing	Viton	1	5L109	-	-				
3B	O-ring, internal casing	EPR		5K252						
SL ONLY	1B	Casing, pump SL	AISI 304 SS	1	100SL	125SL	150SL			
					1L81	1L82	1L83			
	2B	Impeller Kit (closed) includes imp locknut	AISI 304 SS	1	Diameter	Part No.	Diameter	Part No.	Diameter	Part No.
					6.12	2K1203	6.12	2K1391	5.12	2K1401
					5.75	2K1202	5.94	2K1392	5	2K1402
					5.19	2K1201	5.75	2K1393	4.75	2K1403
					4.75	2K1200	5.34	2K1394	4.5	2K1404
					4.44	2K1199	5.06	2K1395	4.38	2K1405
					4.06	2K1211	4.88	2K1396	4	2K1406
							4.63	2K1397	3.63	2K1407
		4.25	2K1398							
		4	2K1399							
4	Guidevane	AISI 304 SS	1	3L23	3L24	3L25				
5A	O-ring, impeller	Viton	1	5L75	5L76	5L76				
5B	O-ring, impeller	EPR		5L81	5L82	5L82				
6A	O-ring, casing	Viton	1		5K206					
6B	O-ring, casing	EPR			5K193					
7	¼ - 20NC - 2A x .50 long socket head cap screw	AISI 304 SS	8		13K268					
8	¼ - 20NC hex nut	AISI 304 SS	8		13K269					
9	Pump mounting plate	AISI 303 SS	1		1L502					
10	⅜ - 16NC - 2A x 1.0 long hex head bolt	Plated Steel	4		13K80					
11	Motor mounting plate	Cast Iron	1		1L503					
12	Tube, support, 14 inch	AISI 304 SS	1		6K117					
	Tube, support, 24 inch				6K123					
13	Shaft, 14 inch	AISI 304 SS	1		4K417					
	Shaft, 24 inch				4K428					
13A	Shaft, 14 inch	AISI 304 SS	1		4K441					
	Shaft, 24 inch	Ceramic Coated			4K443					
14	Snap ring	Stainless Steel	1		4K419					
15	Bushing	Nitronic 60 Stainless	1		4K416					
16	Bearing	Viton	1		7K474					
		Carbon (CTI 25)			4K418					
		EPR			7K1743					
17	Plug, drain and vent	AISI 304 SS	2		6L3					
18A	O-ring, drain and vent plug	Viton	1		5L99					
18B	O-ring, drain and vent plug	EPR			5L80					
19	Impeller locknut	300 Series SS	1		13K286 for SR models, 13K415 for SL models					
20	Seal, u-cup	Teflon	1		10K73					

Xylem |'zīləm|

- 1) The tissue in plants that brings water upward from the roots;
- 2) a leading global water technology company.

We're a global team unified in a common purpose: creating advanced technology solutions to the world's water challenges. Developing new technologies that will improve the way water is used, conserved, and re-used in the future is central to our work. Our products and services move, treat, analyze, monitor and return water to the environment, in public utility, industrial, residential and commercial building services settings. Xylem also provides a leading portfolio of smart metering, network technologies and advanced analytics solutions for water, electric and gas utilities. In more than 150 countries, we have strong, long-standing relationships with customers who know us for our powerful combination of leading product brands and applications expertise with a strong focus on developing comprehensive, sustainable solutions.

For more information on how Xylem can help you, go to www.xylem.com

Order Online: www.PumpCatalog.com



Xylem Inc.
2881 East Bayard Street Ext., Suite A
Seneca Falls, NY 13148
Phone: (866) 673-0445
Fax: (888) 322-5877
www.xylem.com/goulds

Goulds is a registered trademark of Goulds Pumps, Inc. and is used under license.
© 2021 Xylem Inc. RNPV R3 June 2021