

**xylem**  
Let's Solve Water

**TECHNICAL BROCHURE**

B3885 R3



# WE Series Model 3885

SUBMERSIBLE EFFLUENT PUMPS



### FEATURES

**Impeller:** Cast iron, semi-open, non-clog with pump-out vanes for mechanical seal protection. Balanced for smooth operation. Silicon bronze impeller available as an option.

**Casing:** Cast iron volute type for maximum efficiency. 2" NPT discharge.

**Mechanical Seal:** Silicon Carbide vs. Silicon Carbide sealing faces. Stainless steel metal parts, BUNA-N elastomers.

**Shaft:** Corrosion-resistant, stainless steel. Threaded design. Locknut on all models to guard against component damage on accidental reverse rotation.

**Fasteners:** 300 series stainless steel.

Capable of running dry without damage to components.

Designed for continuous operation when fully submerged.

**EXTENDED WARRANTY AVAILABLE FOR RESIDENTIAL APPLICATIONS.**

### APPLICATIONS

Specifically designed for the following uses:

- Homes, Farms, Trailer Courts, Motels, Schools, Hospitals, Industry, Effluent Systems

### SPECIFICATIONS

#### Pump

- Solids handling capabilities:  $\frac{3}{4}$ " maximum
- Discharge size: 2" NPT
- Capacities: up to 140 GPM
- Total heads: up to 128 feet TDH
- Temperature: 104°F (40°C) continuous, 140°F (60°C) intermittent.
- See order numbers on reverse side for specific HP, voltage, phase and RPM's available.

#### MOTORS

- Fully submerged in high-grade turbine oil for lubrication and efficient heat transfer.
- Class B insulation on  $\frac{1}{3}$  - 1  $\frac{1}{2}$  HP models.
- Class F insulation on 2 HP models.

#### Single phase (60 Hz):

- Capacitor start motors for maximum starting torque.
- Built-in overload with automatic reset.

- SJTOW or STOW severe duty oil and water resistant power cords.
- $\frac{1}{3}$  - 1 HP models have NEMA three prong grounding plugs.
- 1  $\frac{1}{2}$  HP and larger units have bare lead cord ends.

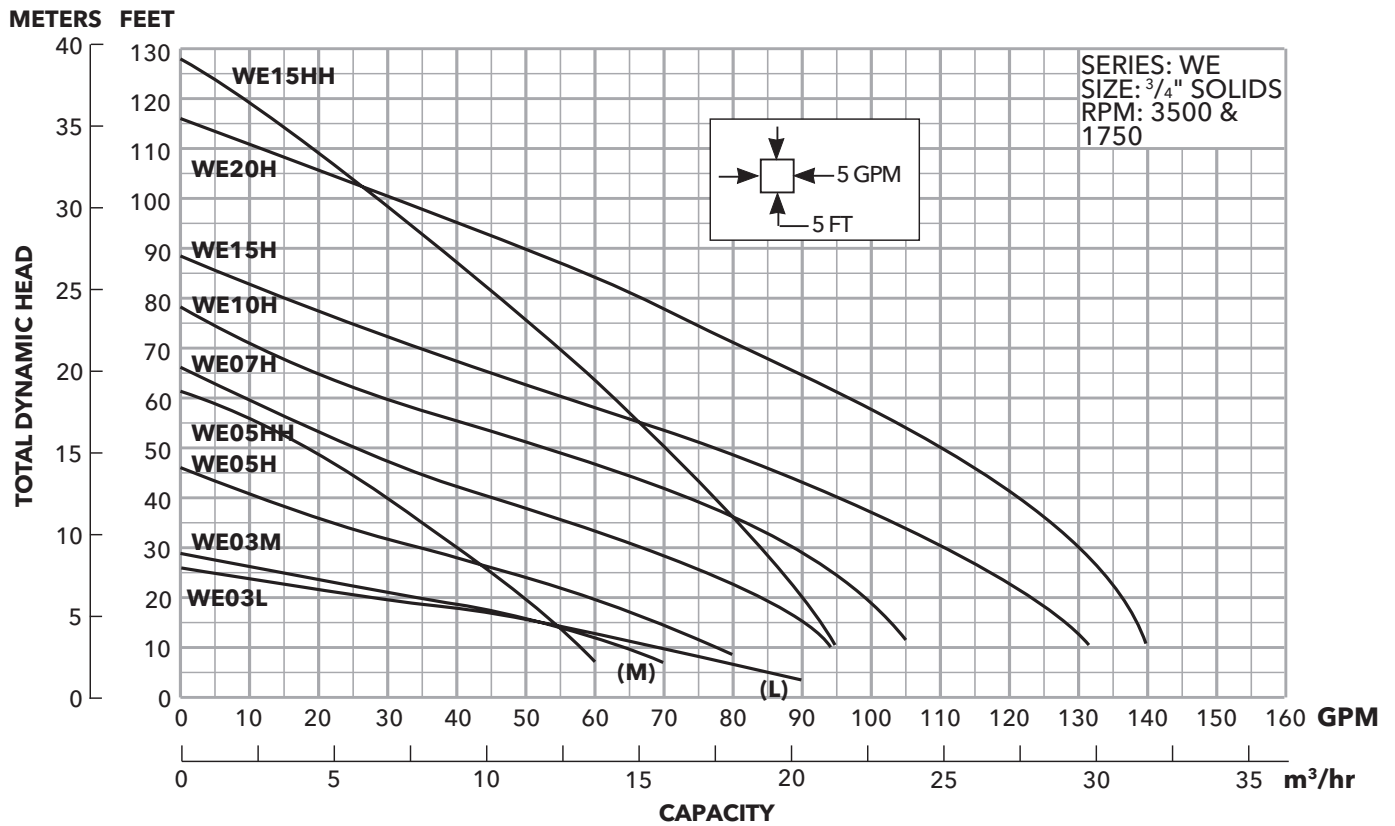
#### Three phase (60 Hz):

- Class 10 overload protection must be provided in separately ordered starter unit.
- STOW power cords all have bare lead cord ends.
- Designed for Continuous Operation: Pump ratings are within the motor manufacturer's recommended working limits, can be operated continuously without damage when fully submerged.
- Bearings: Upper and lower heavy duty ball bearing construction.
- Power Cable: Severe duty rated, oil and water resistant. Epoxy seal on motor end provides secondary moisture barrier in case of outer jacket damage and to prevent oil wicking. Standard cord is 20'. Optional lengths are available.
- O-ring: Assures positive sealing against contaminants and oil leakage.

#### AGENCY LISTINGS

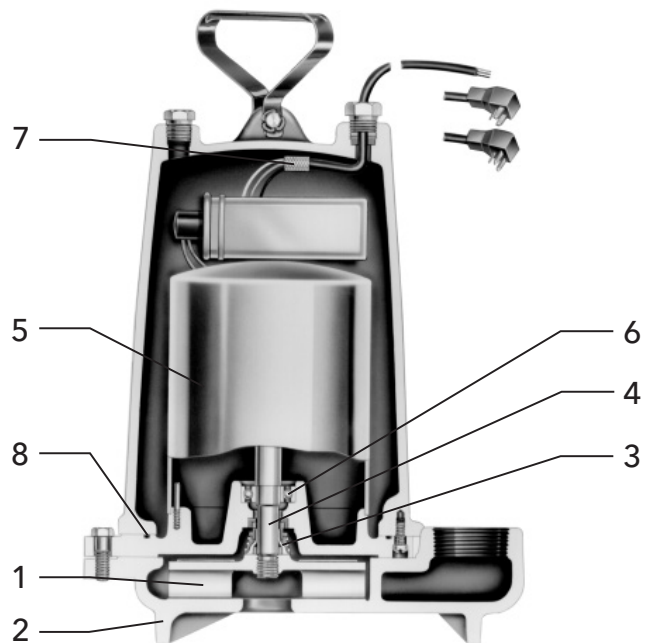


Tested to UL 778 and CSA 22.2 108 Standards  
By Canadian Standards Association File #LR38549



### COMPONENTS

Item No.	Description
1	Impeller
2	Casing
3	Mechanical Seal
4	Motor Shaft
5	Motor
6	Ball Bearings
7	Power Cable
8	Casing O-Ring



### MODELS

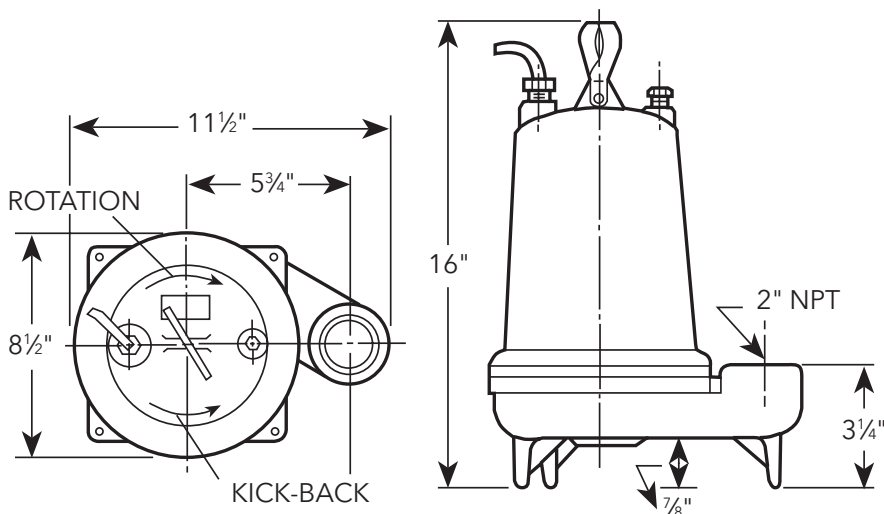
Order Number	HP	Phase	Volts	RPM	Impeller Diameter (in.)	Maximum Amps	Locked Rotor Amps	KVA Code	Full Load Efficiency %	Resistance		Power Cable Size	Weight (lbs.)			
										Start	Line-Line					
WE0311L	0.33	1	115	1750	5.38	10.7	30.0	M	54	11.9	1.7	16/3	56			
WE0318L			208			6.8	19.5	K	51	9.1	4.2					
WE0312L			230			4.9	14.1	L	53	14.5	8.0					
WE0311M			115			10.7	30.0	M	54	11.9	1.7					
WE0318M			208			6.8	19.5	K	51	9.1	4.2					
WE0312M			230			4.9	14.1	L	53	14.5	8.0					
WE0511H	0.5	1	115	3450	3.56	14.5	46.0	M	54	7.5	1.0	14/3	60			
WE0518H			208			8.1	31.0	K	68	9.7	2.4	16/3				
WE0512H			230			7.3	34.5	M	53	9.6	4.0	14/4				
WE0538H			3			200	4.9	22.6	R	68	NA			3.8		
WE0532H						230	3.3	18.8	R	70	NA			5.8		
WE0534H						460	1.7	9.4	R	70	NA	23.2				
WE0537H		575	1.4		7.5	R	62	NA	35.3	14/3						
WE0511HH		1	115		3.88	14.5	46.0	M	54		7.5	1.0				
WE0518HH			208			8.1	31.0	K	68		9.7	2.4		16/3		
WE0512HH			230			7.3	34.5	M	53		9.6	4.0		14/4		
WE0538HH		3	200			4.9	22.6	R	68		NA	3.8				
WE0532HH			230			3.6	18.8	R	70		NA	5.8				
WE0534HH			460			1.8	9.4	R	70	NA	23.2					
WE0537HH		575	1.5		7.5	R	62	NA	35.3	14/3						
WE0718H		0.75	1		208	4.06	11.0	31.0	K		68	9.7		2.4	14/3	70
WE0712H					230		10.0	27.5	J		65	12.2		2.7	14/4	
WE0738H			3		200		6.2	20.6	L		64	NA		5.7		
WE0732H					230		5.4	15.7	K		68	NA		8.6		
WE0734H	460			2.7	7.9		K	68	NA		34.2					
WE0737H	575			2.2	9.9		L	78	NA	26.5						
WE1018H	1	1	208	4.44	14.0	59.0	K	68	9.3	1.1	14/3	80				
WE1012H			230		12.5	36.2	J	69	10.3	2.1	14/4					
WE1038H		3	200		8.1	37.6	M	77	NA	2.7						
WE1032H			230		7.0	24.1	L	79	NA	4.1						
WE1034H			460		3.5	12.1	L	79	NA	16.2						
WE1037H			575		2.8	9.9	L	78	NA	26.5						
WE1518H	1.5	1	208	4.56	17.5	59.0	K	68	9.3	1.1	14/3	80				
WE1512H			230		15.7	50.0	H	68	11.3	1.6	14/4					
WE1538H		3	200		10.6	40.6	K	79	NA	1.9						
WE1532H			230		9.2	31.7	K	78	NA	2.9						
WE1534H			460		4.6	15.9	K	78	NA	11.4						
WE1537H			575		3.7	13.1	K	75	NA	16.9						
WE1518HH		1	1		208	5.50	17.5	59.0	K	68	9.3		1.1	14/3	80	
WE1512HH					230		15.7	50.0	H	68	11.3		1.6	14/4		
WE1538HH			3		200		10.6	40.6	K	79	NA		1.9			
WE1532HH					230		9.2	31.7	K	78	NA		2.9			
WE1534HH					460		4.6	15.9	K	78	NA		11.4			
WE1537HH					575		3.7	13.1	K	75	NA		16.9			
WE2012H	2	1	230	5.38	18.0	49.6	F	78	3.2	1.2	14/3	83				
WE2038H			3		200	12.0	42.4	K	78	NA	1.7					
WE2032H		230			11.6	42.4	K	78	NA	1.7						
WE2034H		460			5.8	21.2	K	78	NA	6.6						
WE2037H		575			4.7	16.3	L	78	NA	10.5						

### PERFORMANCE RATINGS (gallons per minute)

Order No.	WE-03L	WE-03M	WE-05H	WE-07H	WE-10H	WE-15H	WE05HH	WE15HH	WE-20H
<b>HP</b>	1/3	1/3	1/2	3/4	1	1 1/2	1/2	1 1/2	2
<b>RPM</b>	1750	1750	3500	3500	3500	3500	3500	3500	3500
<b>Total Head Feet of Water</b>	5	86	-	-	-	-	-	-	-
	10	70	63	78	94	-	-	58	95
	15	52	52	70	90	103	128	53	93
	20	27	35	60	83	98	123	49	90
	25	5	15	48	76	94	117	45	87
	30	-	-	35	67	88	110	40	83
	35	-	-	22	57	82	103	35	80
	40	-	-	-	45	74	95	30	77
	45	-	-	-	35	64	86	25	74
	50	-	-	-	25	53	77	-	70
	55	-	-	-	-	40	67	-	66
	60	-	-	-	-	30	56	-	63
	65	-	-	-	-	20	45	-	58
	70	-	-	-	-	-	35	-	55
	75	-	-	-	-	-	25	-	51
	80	-	-	-	-	-	-	-	47
	90	-	-	-	-	-	-	-	37
	100	-	-	-	-	-	-	-	28

### DIMENSIONS

(All dimensions are in inches. Do not use for construction purposes.)



### STANDARD PANEL OPTIONS

Pump Order Number	K Series		Boulay Series	
	Simplex	Duplex	Simplex	Duplex
WE0311L	KS19020WF	KD19020WF	S10020	D10020
WE0318L	KS19020WF	KD19020WF	S10020	D10020
WE0312L	KS19020WF	KD19020WF	S10020	D10020
WE0311M	KS19020WF	KD19020WF	S10020	D10020
WE0318M	KS19020WF	KD19020WF	S10020	D10020
WE0312M	KS19020WF	KD19020WF	S10020	D10020
WE0511H	KS19020WF	KD19020WF	S10020	D10020
WE0518H	KS19020WF	KD19020WF	S10020	D10020
WE0512H	KS19020WF	KD19020WF	S10020	D10020
WE0538H	KS31255WF	KD31255WF	S34063	D34063
WE0532H	KS31255WF	KD31255WF	S32540	D32540
WE0534H	KS31255WF	KD31255WF	S31625	D31625
WE0537H	N/A	N/A	S31625	D31625
WE0511HH	KS19020WF	KD19020WF	S10020	D10020
WE0518HH	KS19020WF	KD19020WF	S10020	D10020
WE0512HH	KS19020WF	KD19020WF	S10020	D10020
WE0538HH	KS31255WF	KD31255WF	S34063	D34063
WE0532HH	KS31255WF	KD31255WF	S32540	D32540
WE0534HH	KS31255WF	KD31255WF	S31625	D31625
WE0537HH	N/A	N/A	S31625	D31625
WE0718H	KS19020WF	KD19020WF	S10020	D10020
WE0712H	KS19020WF	KD19020WF	S10020	D10020
WE0738H	KS34518WF	KD34518WF	S36310	D36310
WE0732H	KS34518WF	KD34518WF	S34063	D34063
WE0734H	KS31255WF	KD31255WF	S32540	D32540
WE0737H	N/A	N/A	S31625	D31625
WE1018H	KS19020WF	KD19020WF	S10020	D10020
WE1012H	KS19020WF	KD19020WF	S10020	D10020
WE1038H	KS34518WF	KD34518WF	S36310	D36310
WE1032H	KS34518WF	KD34518WF	S36310	D36310
WE1034H	KS34518WF	KD34518WF	S32540	D32540
WE1037H	N/A	N/A	S32540	D32540
WE1518H	KS19020WF	KD19020WF	S10020	D10020
WE1512H	KS19020WF	KD19020WF	S10020	D10020
WE1538H	KS34518WF	KD34518WF	S31016	D31016
WE1532H	KS34518WF	KD34518WF	S36310	D36310
WE1534H	KS34518WF	KD34518WF	S34063	D34063
WE1537H	N/A	N/A	S32540	D32540
WE1518HH	KS19020WF	KD19020WF	S10020	D10020
WE1512HH	KS19020WF	KD19020WF	S10020	D10020
WE1538HH	KS34518WF	KD34518WF	S31016	D31016
WE1532HH	KS34518WF	KD34518WF	S36310	D36310
WE1534HH	KS34518WF	KD34518WF	S34063	D34063
WE1537HH	N/A	N/A	S32540	D32540
WE2012H	KS19020WF	KD19020WF	S10020	D10020
WE2038H	KS34518WF	KD34518WF	S31016	D31016
WE2032H	KS34518WF	KD34518WF	S31016	D31016
WE2034H	KS34518WF	KD34518WF	S34063	D34063
WE2037H	N/A	N/A	S34063	D34063

**Note:** Boulay Series part numbers have additional available features, see page 7 for more information.

**Note:** K Series panel part numbers include floats, to order without float switches, remove the 'WF' suffix. Boulay Series panels do not include float switches.



### K-SERIES

- NEMA 4X dead front outdoor rated enclosure
- Red LED alarm beacon
- HOA selector switch
- Field wiring terminal block
- Single phase models handle 120, 208 and 230V service
- Three phase models handle 200, 230 and 460V service
- Requires separate control/alarm power feed
- See brochure "BCPKSDPANELS" for additional information

### BOULAY SERIES

- NEMA 4X outdoor rated enclosure
- Red alarm beacon
- HOA selector switch
- Through door pump run light(s)
- Through door alarm test and horn silence button
- Single phase models handle 120, 208 and 230V service
- Three phase models handle 200, 230, 460 and 575V service
- Accepts single or dual power feed
- See brochure "BCP3 R11" for additional information on simplex models
- See brochure "BCP4 R14" for additional information on duplex models

# Xylem |'zīləm|

- 1) The tissue in plants that brings water upward from the roots;
- 2) a leading global water technology company.

We're a global team unified in a common purpose: creating advanced technology solutions to the world's water challenges. Developing new technologies that will improve the way water is used, conserved, and re-used in the future is central to our work. Our products and services move, treat, analyze, monitor and return water to the environment, in public utility, industrial, residential and commercial building services settings. Xylem also provides a leading portfolio of smart metering, network technologies and advanced analytics solutions for water, electric and gas utilities. In more than 150 countries, we have strong, long-standing relationships with customers who know us for our powerful combination of leading product brands and applications expertise with a strong focus on developing comprehensive, sustainable solutions.

**For more information on how Xylem can help you, go to [www.xylem.com](http://www.xylem.com)**

**Order Online: [www.PumpCatalog.com](http://www.PumpCatalog.com)**



Xylem Inc.  
2881 East Bayard Street Ext., Suite A  
Seneca Falls, NY 13148  
Phone: (866) 325-4210  
Fax: (888) 322-5877  
[www.xylem.com/goulds](http://www.xylem.com/goulds)

Goulds is a registered trademark of Goulds Pumps, Inc. and is used under license.  
© 2019 Xylem Inc. B3885 R3 June 2019