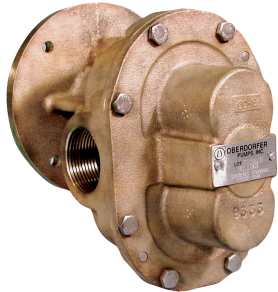


BRONZE CLOSE COUPLED ROTARY GEAR PUMPS

GEAR PUMPS SERIES N1100



FEATURES

- Bronze Construction with Stainless Steel Shafts
- Positive Spring Loaded Lip Seal made from fluoroelastomer
- Available with Motor Adapter and Hardware
- Easy Field Assembly to Motors
- Self-Lubricating Carbon Bearings
- Consult Factory for Special Motors

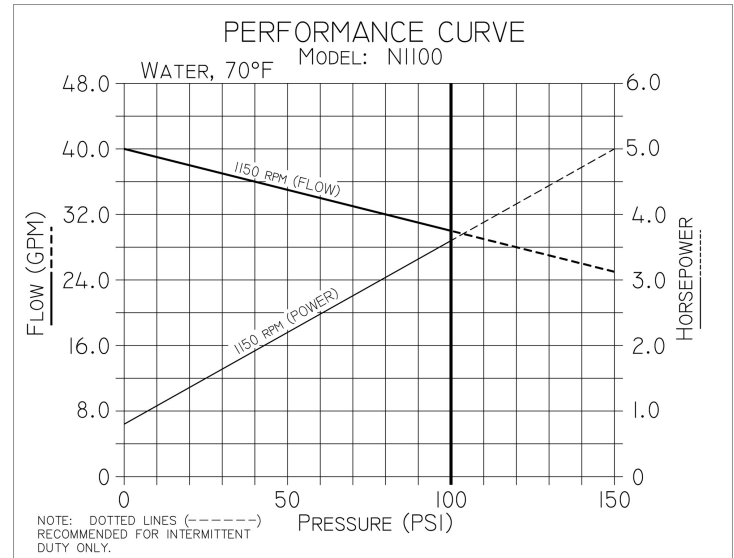
DRIVE

The pump is driven directly from the electric motor shaft by means of a flexible coupling. An aluminum adapter connects the pump to the motor.

LIQUIDS AND TEMPERATURE

Service life will be increased substantially if liquid pumped is clean and has lubricity value. These pumps have extremely close tolerance. Fine abrasives like sand, silt, or powders in suspension will destroy pumping ability. Liquids compatible with bronze, stainless steel, and a fluoroelastomer lip seal can be pumped. Check a chemical compatibility chart or Oberdorfer™ factory. Nitrile Lip Seal (S3) available. Temperature extremes are detrimental to service life and should be avoided. Temperature range for this pump is from -40o F to 300o F. Freezing liquid in the pump can deform or damage the pump.

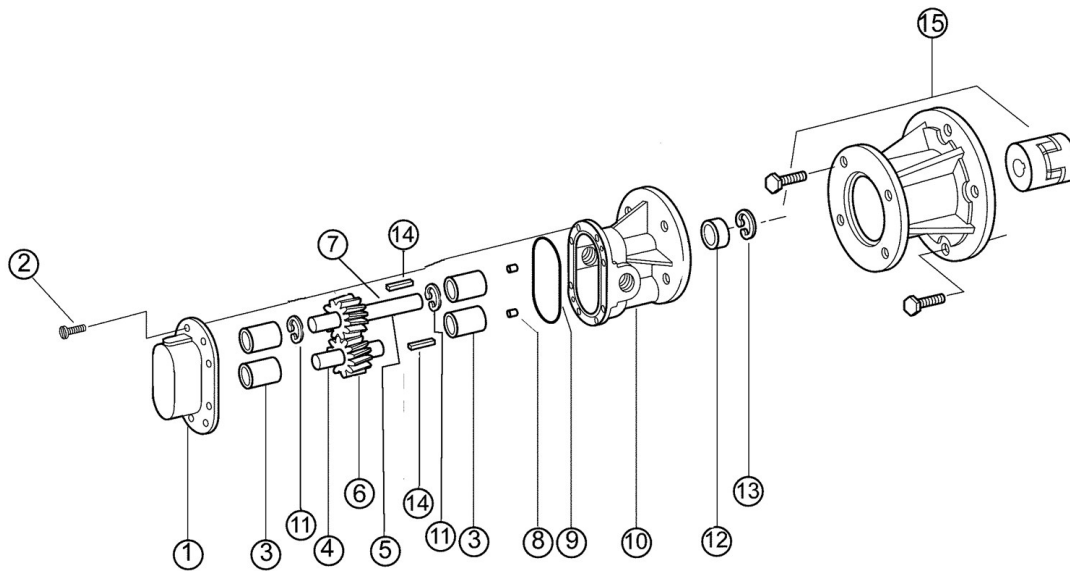
PERFORMANCE



SUCTION LIFT

A rotary gear pump is capable of lifting water on the suction side as high as 20 feet. Though gear pumps are self-priming, a foot valve is recommended. If possible, wet gears with the liquid to be pumped for the first dry start. Liquid retained in the system and gear chambers serves to wet the pump on subsequent starts.

EXPLODED VIEW AND PARTS LIST



	1	2	3	4	5	6	7	8	9	10	11	12	13	14	15
	Cover	Cover Screws	Bearing	Idle Shaft	Drive Shaft	Idle Gear	Drive Gear	Dowel Pins	O-Ring	Body	Ret. Ring	Lip Seal	Ret. Ring	Key	Adapter Kit
Model	Qty. 1	Qty. 8	Qty. 4	Qty. 1	Qty. 1	Qty. 1	Qty. 1	Qty. 2	Qty. 1	Qty. 1	Qty. 4	Qty. 1	Qty. 1	Qty. 2	Qty. 1
N1100	9333NN5N	5393	5108	7652	8720	9834	9833	8597	9797-158	9330NG3N	7651	7262	7345	6518	See Below
N1100S3	9333NN5N	5393	5108	7652	8720	9834	9833	8597	9797-158	9330NG3N-0	7651	6500	7345	6518	

* Repair Kit #11581 contains items 3, 4, 5, 6, 7, 9, 11, 12, 13, 14

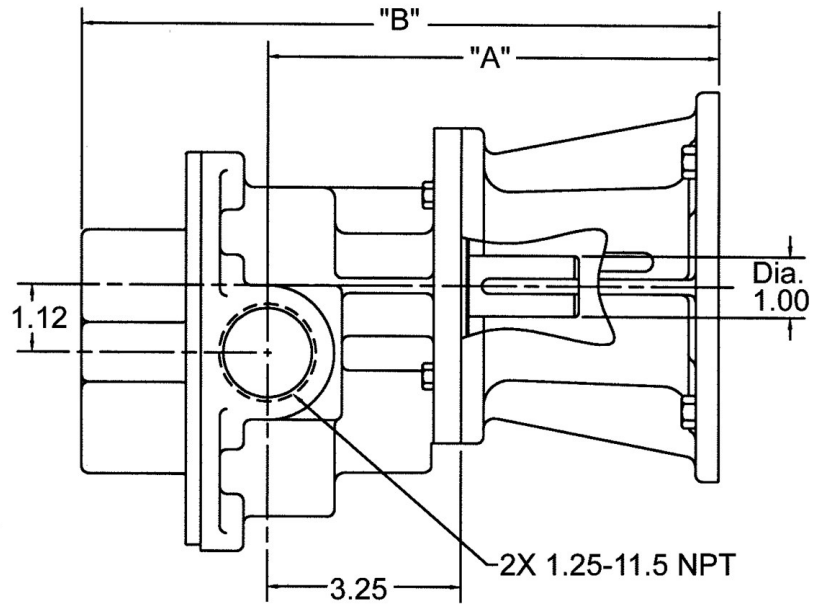
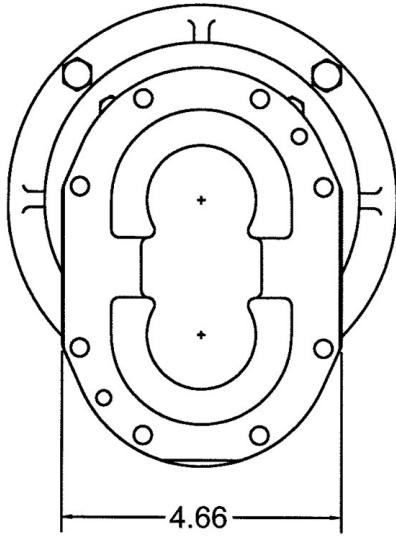
Example

N1100	Y	W96
Basic Pump	Mounting Adapter Kit (fits 184TC Motor Frame)	2HP 3 Phase Motor Code

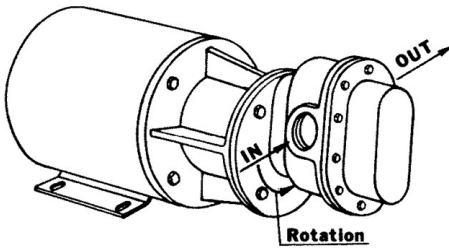
Kit Code	Kit No.	Will Fit NEMA Motor Frames	Motor Flange Dea. Ref.	Motor Shaft Dia. Ref.	"A"	"B"
W	11617	56C	4.5	5/8	7.56	10.68
X	11608	143TC, 145TC, 182C, 184C	4.5	7/8	7.56	10.68
Y	11609	182TC, 184TC, 213C, 215C	8.5	1 1/8	8.38	11.50
Z	11610	213TC, 215TC	8.5	1 3/8	8.38	11.50

Pump No.	Description
N1100	Pump Only
N1100W	Pump, bracket and hardware for mounting to 56C frame motor
N1100X	Pump, bracket and hardware for mounting to the following motor frames: 143TC, 145TC, 182C, 184C
N1100Y	Pump, bracket and hardware for mounting to the following motor frames: 182TC, 184TC, 213C, 215C
N1100Z	Pump, bracket and hardware for mounting to the following motor frames: 213TC, 215TC

DIMENSIONS



ROTATION



No. 1100
Idler Up
Position

Motor
Frames
56 to 145

No. 1100
Idler Down
Position

Motor
Frames
182 to 215

