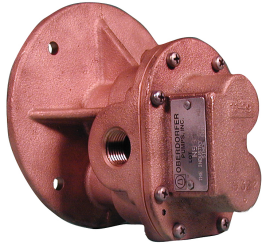


# BRONZE CLOSE COUPLED ROTARY GEAR PUMPS

## GEAR PUMPS SERIES N994



### FEATURES

- Bronze Construction with Stainless Steel Shafts
- Helical gears for quiet operation
- Easy Field Assembly to Motors
- Self-Lubricating Carbon Bearings
- O-ring seal for maximum leak protection
- For clutch driven version, see N994-38
- Lip or Mechanical Seal
- For Danfoss hydraulic motor driven pump units

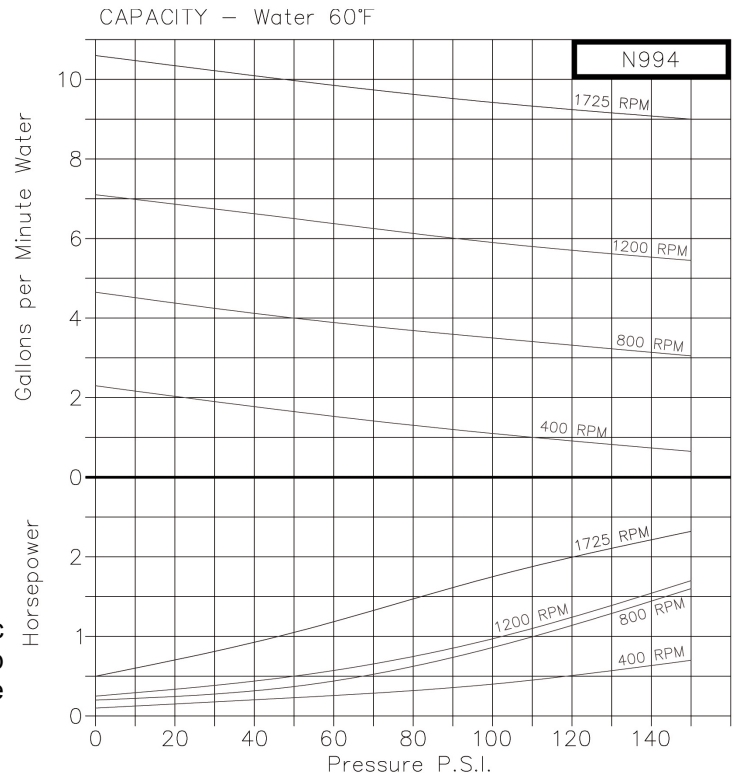
### DRIVE

Close coupled pumps are mounted directly to the electric motor by means of a suitable adapter bracket. The pump drive shaft is connected to the motor shaft by a flexible coupling.

### LIQUIDS AND TEMPERATURE

These pumps are suitable for all liquids that are compatible with bronze. Most common liquids are water, oil, and mild chemicals in the pH-range of 4 to 11. Viscous liquids require reduced shaft speeds of 1150 RPM or lower. Consult factory. Liquids containing solids, abrasives, powders or paint pigments are definitely not recommended for gear pumps. If abrasives are unavoidable, use a very low shaft speed. See price book for the recommended liquid temperature range of lip and mechanical seals. Freezing of water-filled pumps can cause damage and must be avoided. Oils at low temperatures are very viscous requiring a lower speed or extra power.

## PERFORMANCE



## SUCTION LIFT

As a general rule, the suction lift should be kept at an absolute minimum by placing the pump as close to the liquid source as possible. A gear pump in new condition can lift 20 feet of water in the suction line. A foot valve (preferably with built-in strainer) is recommended at the beginning of the suction line. For a first start-up, the pump should be primed to avoid dry running. Minimum size of the suction pipe is the size of the pump inlet port. For longer suction lines (over 3 feet), or for viscous liquids, the pipe size should be at least one size or two sizes larger than the pump inlet port.

## EXPLODED VIEW AND PARTS LIST

	1	2	3	4	5	6	7	8	9	10	11	12	13	14	15	16		17	18	19	20	21	Repair Kits
	Bypass Nut	Adj. Screw	Fiber Washer	Locknut	Spring	Plugnut	Ball	Screw	Cover	Bearing	Drive Gear Assy	Idle Gear Assy	Dowel Pin	O-Ring	Body	Lipseal	Mechanical Seal	Tag	Tag Screw	Retaining Ring	Retaining Ring	Adapter Kits	
Pump No.	Qty. 1.00	Qty. 1.00	Qty. 3.00	Qty. 1.00	Qty. 1.00	Qty. 1.00	Qty. 1.00	Qty. 8.00	Qty. 1.00	Qty. 4.00	Qty. 1.00	Qty. 1.00	Qty. 2.00	Qty. 1.00	Qty. 1.00	Qty. 1.00	Qty. 1.00	Qty. 1.00	Qty. 2.00	Qty. 1.00	Qty. 1.00		
N994	N/A	N/A	N/A	N/A	N/A	N/A	N/A	5385	9322NN5N	5091	33011	33008	8885	9797-041	9320ND2N	5463	N/A	9344	9345	N/A	N/A		11333
N994R	5204	5200	6964	5209	5207	5205	5206	5385	9323NN5B	5091	33011	33008	8885	9797-041	9320ND2N	5463	N/A	9344	9345	N/A	N/A		12100
N994S15	N/A	N/A	N/A	N/A	N/A	N/A	N/A	5385	9322NN5N	5091	33011	33008	8885	9797-041	9320ND2N	9997	N/A	9344	9345	N/A	N/A		TBD
N994RS15	5204	5200	6964	5209	5207	5205	5206	5385	9323NN5B	5091	33011	33008	8885	9797-041	9320ND2N	9997	N/A	9344	9345	N/A	N/A		TBD
N994S16	N/A	N/A	N/A	N/A	N/A	N/A	N/A	5385	9322NN5N	5091	33014	33008	8885	9797-041	9321PD4N	N/A	32202	9344	9345	5382	5374		TBD
N994RS16	5204	5200	6964	5209	5207	5205	5206	5385	9323NN5B	5091	33014	33008	8885	9797-041	9321PD4N	N/A	32202	9344	9345	5382	5374		TBD
N994S17	N/A	N/A	N/A	N/A	N/A	N/A	N/A	5385	9322NN5N	5091	33014	33008	8885	9797-041	9321PD4N	N/A	32235	9344	9345	5382	5374		TBD
N994RS17	5204	5200	6964	5209	5207	5205	5206	5385	9323NN5B	5091	33014	33008	8885	9797-041	9321PD4N	N/A	32235	9344	9345	5382	5374		TBD

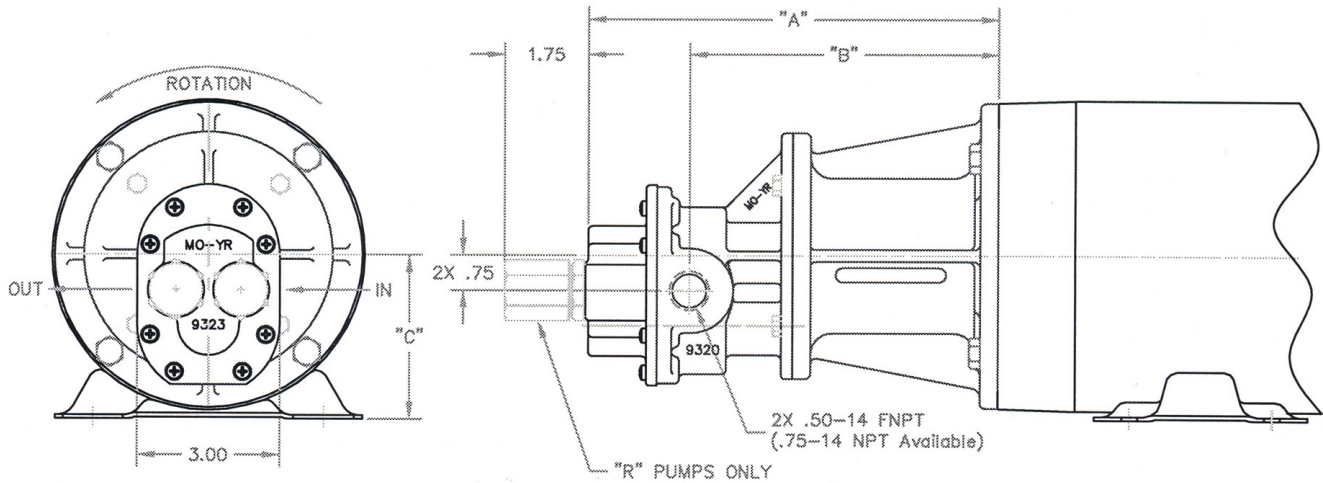
Repair Kits contain items 10, 11, 12, 14, 16, 19 & 20.

Adapter Kits		
Adapter Kit	Part Number	Description
H	11299	56C Frame
J	11300	143TC/145TC
K	11301	182TC/184TC
L	11302	213TC/215TC

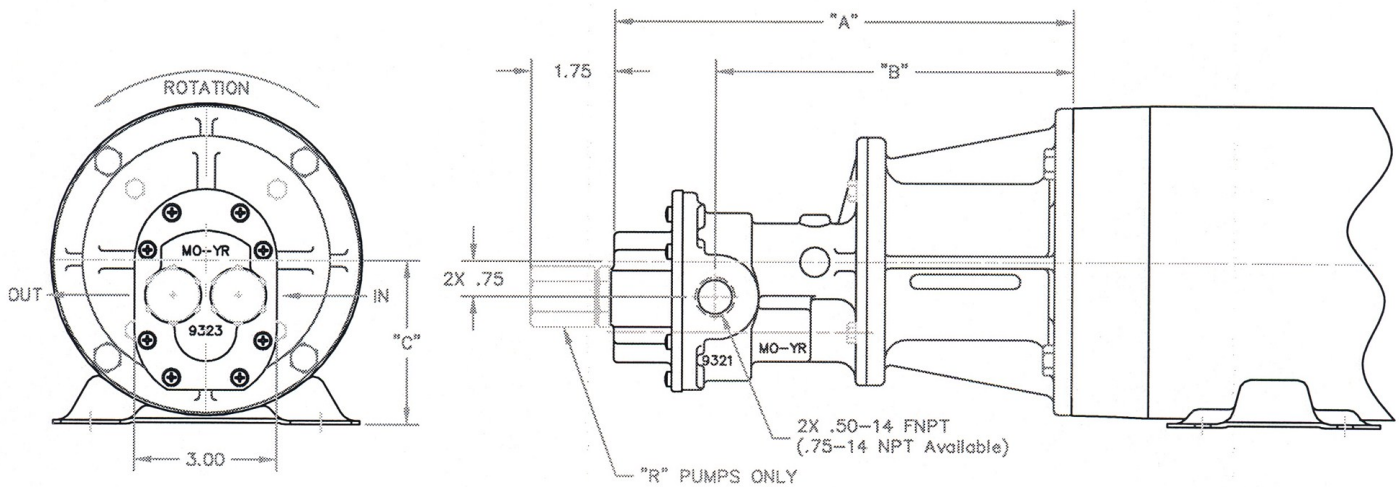
Motor/Adapter Kit Dimensions (inches)				
Model	Motor Frame	"A"	"B"	"C"
N994(R)H & N994(R)S15H	56C	8.63	6.50	3.50
N994(R)J & N994(R)S15J	143TC/145TC	8.63	6.50	3.50
N994(R)K & N994(R)S15K	182TC/184TC	9.45	7.31	4.50
N994(R)L & N994(R)S15L	213TC/215TC	9.45	7.31	5.25
N994(R)S16H & N994(R)S17H	56C	9.66	7.53	3.50
N994(R)S16J & N994(R)S17J	143TC/145TC	9.66	7.53	3.50
N994(R)S16K & N994(R)S17K	182TC/184TC	10.48	8.34	4.50
N994(R)S16L & N994(R)S17L	213TC/215TC	10.48	8.34	5.25

## DIMENSIONS

N994(R) & N994(R)S15



N994(R)S16 & N994(R)S17



## ROTATION AND RELIEF VALVE

The relief valve is not intended to be a metering or flow control device. Its main purpose is to function as a discharge pressure relief when the spring tension is exceeded by the discharge pressure. Overheating can occur within 5-10 minutes if the discharge line is completely shut off for extended periods. Unless otherwise specified, the pump motor unit is supplied by the factory for shaft rotation clockwise from shaft end. Reversing the motor rotation will reverse the "in" and "out" ports and also requires changing the relief valve location. The relief valve is always on the discharge side in this pump series. The factory pressure setting is 50 PSIG. To increase pressure, turn the relief valve adjusting screw in a clockwise direction. To reverse single phase motors, find instructions on the inside of the junction box cover or on the name plate of the motor. Three phase motors are not wired for any particular rotation. They can be reversed by interchanging any two (2) wires of the three (3) wire leads.