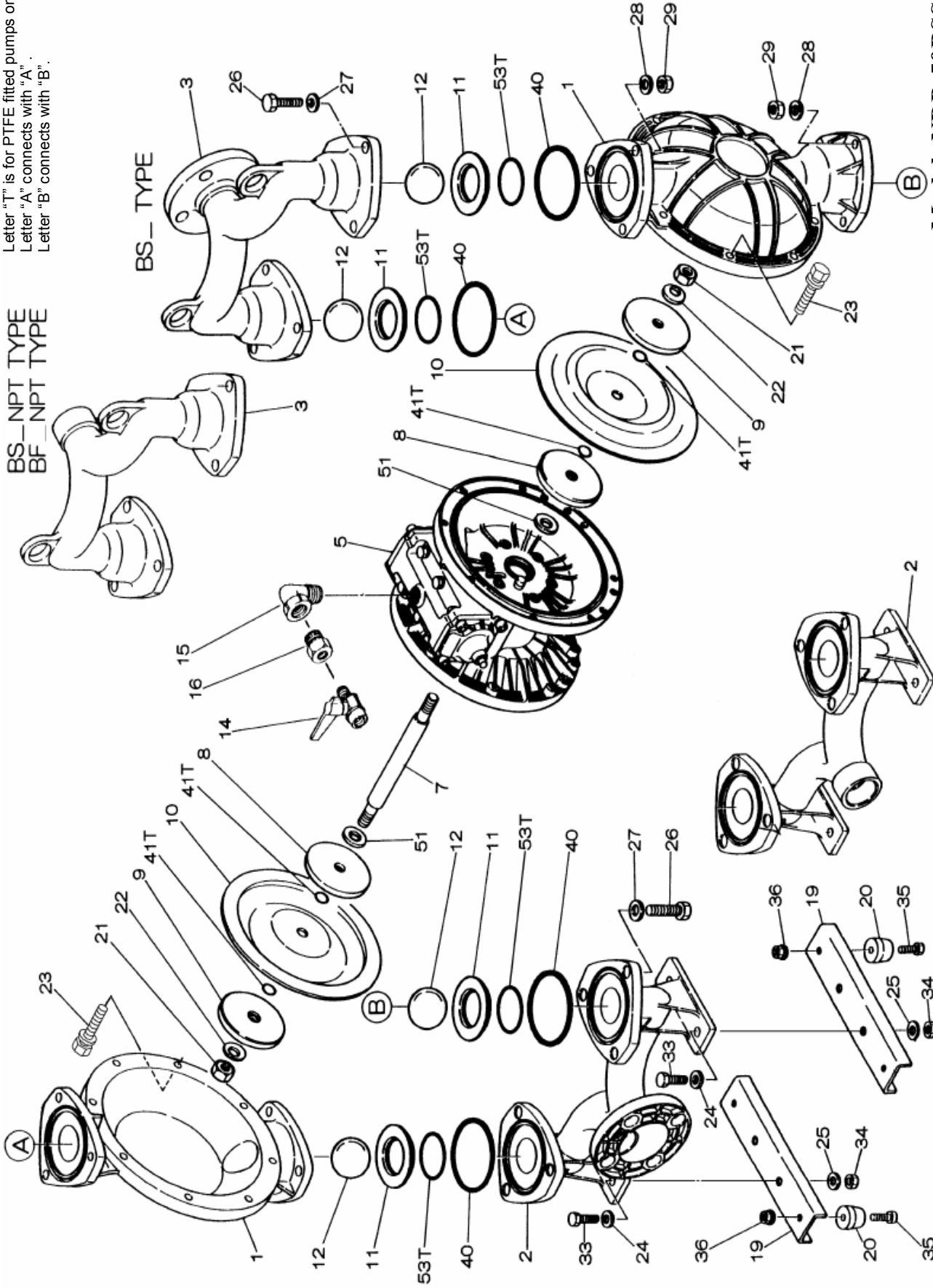


Note:
 Letter "T" is for PTFE fitted pumps only.
 Letter "A" connects with "A".
 Letter "B" connects with "B".



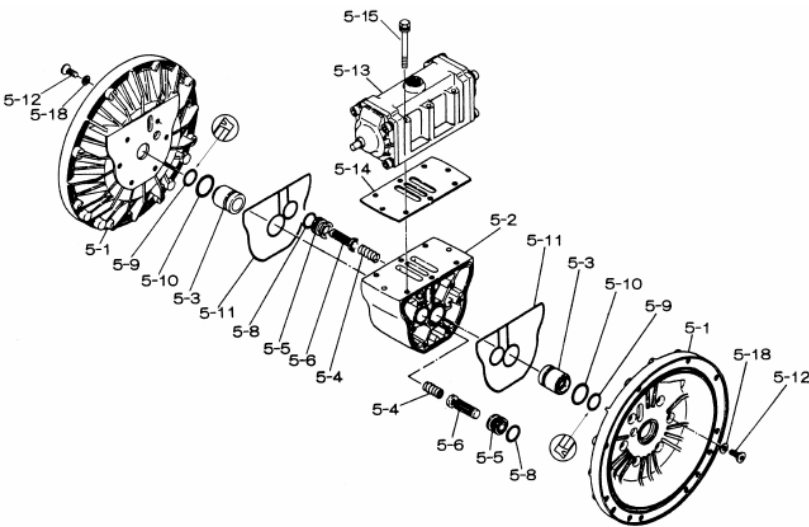
Model: NDP-50BSS
Part # 852721 - NPT
Part # 852718 - FLANGE



Yamada America, Inc.
 955 East Algonquin Rd
 Arlington Heights, IL 60005
 Phone: 847.631.9200
 Fax: 847.631.9273
 www.yamadapump.com

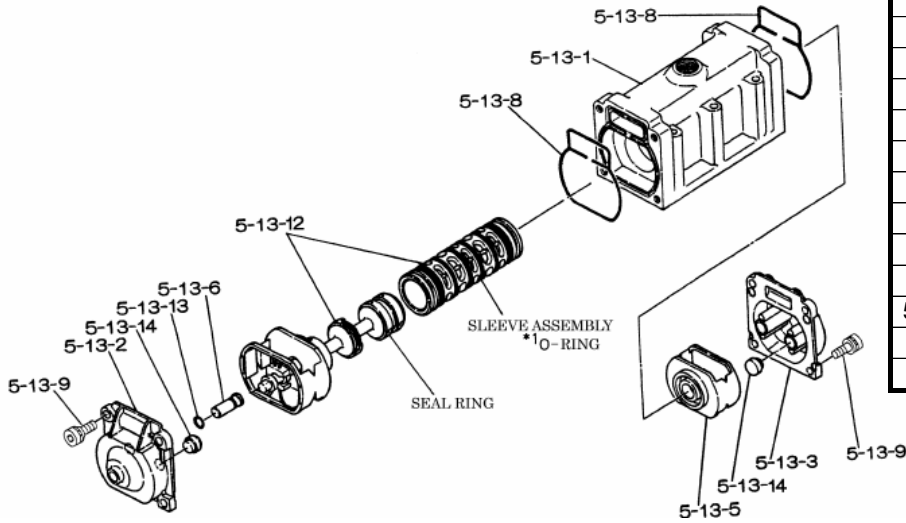
Reference	No.	Description	Q'ty	Part No.
	1	Out Chamber	2	712932
	2	In Manifold - Flange	1	712557
	2	In Manifold - NPT	1	712559
	3	Out Manifold - Flange	1	712556
	3	Out Manifold - NPT	1	712558
	5	Body Assembly	1	803112
	7	Center Rod	1	711900
	8	Center Disk	2	711904
	9	Center Disk	2	711905
	10	Diaphragm	2	771976
	11	Valve Seat	4	772004
	12	Ball	4	773173
	14	Ball Valve	1	684322
	15	Elbow	1	682523
	19	Pump Base	2	711928
	20	Cushion	4	771402
	21	Nut	2	683408
	22	Coned Disk Spring	2	682740
	23	Bolt	16	621180
	23a	Wave Spring Washer	16	631937
	24	Plain Washer	4	631174
	25	Spring Lock Washer	4	631937
	26	Bolt	12	621202
	27	Plain Washer	12	631175
	28	Spring Lock Washer	12	631938
	29	Nut	12	628014
	33	Bolt	4	621175
	34	Nut	4	628013
	35	Bolt	4	611149
	36	Nut with Flange	4	682276
	40	O-ring	4	640069
	51	Cushion	2	770582

Repair Kits			
K50-MS Liquid Side Kit includes the following:			
10	Diaphragm	2	771976
11	Valve Seat	4	772004
40	O-ring	4	684122
12	Ball	4	773173
K45-AM Air Side Kit includes the following:			
5-3	Throat Bearing	2	772689
5-4	Spring	2	711937
5-5	Valve Seat	2	771740
5-6	Pilot Valve Assembly	2	832162
5-8	O-ring	7	640020
5-9	Packing	2	685444
5-10	O-ring	2	640029
5-11	Gasket	2	771742
5-14	Gasket	1	771712
5-13-8	Gasket	2	771738
5-13-12 Seal	Seal Ring	15	771732
5-13-12 Sleeve	Sleeve Assembly	1	803675

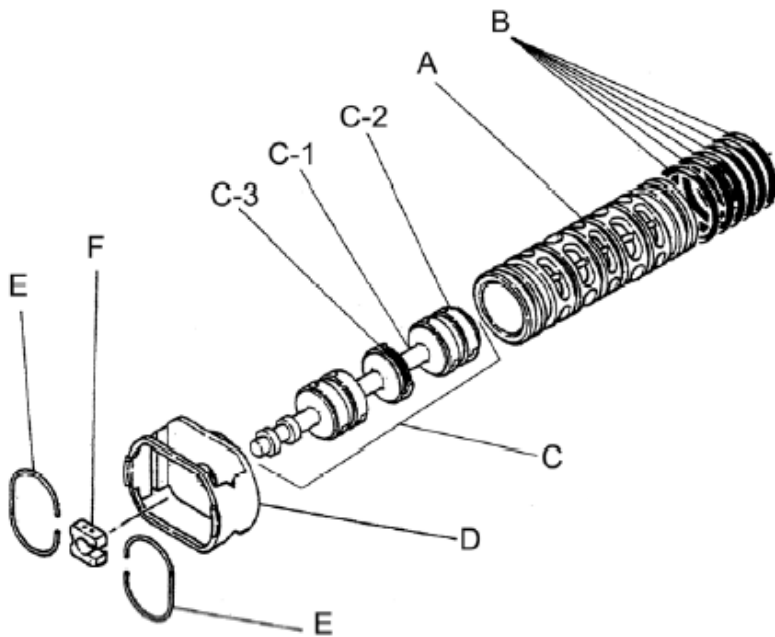


Body Assembly 803112				
Reference	No.	Description	Q'ty	Part No.
	5-1	Air Chamber	2	711934
	5-2	Body	1	711936
	5-3	Throat Bearing	2	772689
	5-4	Spring	2	711937
	5-5	Valve Seat	2	771740
	5-6	Pilot Valve Assembly	2	832162
	5-8	O-ring	2	640020
	5-9	Packing	2	685444
	5-10	O-ring	2	640029
	5-11	Gasket	2	771742
	5-12	Flat Head Bolt	12	683812
	5-13	Valve Body Assembly	1	802971
	5-14	Gasket	1	771712
	5-15	Bolt	6	684240
	5-18	Plain Washer	12	684987

Yamada America, Inc.
 955 East Algonquin Rd
 Arlington Heights, IL 60005
 Phone: 847.631.9200
 Fax: 847.631.9273
 www.yamadapump.com



802971 Valve Body Assembly			
Reference			
No.	Description	Q'ty	Part No.
5-13-1	Valve Body	1	711931
5-13-2	Cap A	1	580999
5-13-3	Cap B	1	581000
5-13-5	Spring Stopper	1	771735
5-13-6	Reset Button	1	712976
5-13-8	Gasket	2	771738
5-13-9	Bolt	8	685036
5-13-12	C Spool Valve Assy.	1	803115
5-13-12 Seal	Seal Ring	15	771732
5-13-12 Sleeve	Sleeve Assembly	1	803675
5-13-13	O-ring	1	640005
5-13-14	Cushion	4	684128



803115 Air Valve Assembly (5-13-12)			
Reference			
No.	Description	Q'ty	Part No.
A	Sleeve	1	803675
B	O-ring	6	640036
C	Spool Assembly	1	803114
C-1	Spool	1	771733
C-2	Seal Ring	15	771732
C-3	O-ring	5	640020
D	Spring Retainer	1	771735
E	C-Spring	2	711932
F	Block	1	771734

Yamada America, Inc.
 955 East Algonquin Rd
 Arlington Heights, IL 60005
 Phone: 847.631.9200
 Fax: 847.631.9273
 www.yamadapump.com