

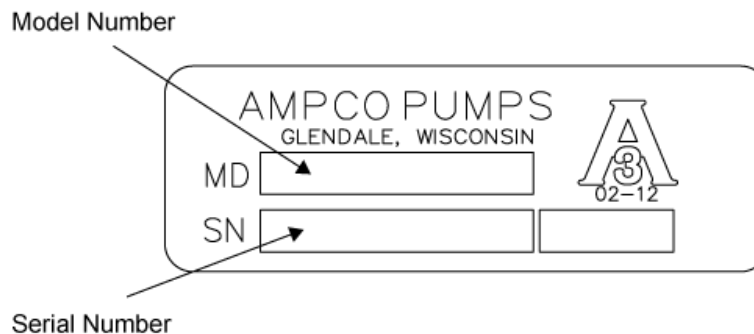
ELECTRONIC PRICING CATALOG NAVIGATION INSTRUCTIONS

Select by Pump Model:

If you know what pump you are looking for, you can use the 'Bookmarks' tab on the left and select the pump model which you are trying to access. Clicking in the Bookmark will take you to the page you are looking for.

If there are no tabs on the left (bookmarks, signatures, layers, pages), you can use the top menu to make them appear. Goto VIEW > SHOW/HIDE > NAVIGATION PANES > BOOKMARKS and they will appear.

Sample Pump ID Tag: See the illustration below for help identifying the location of the Model number and Serial number on the pump ID tag.



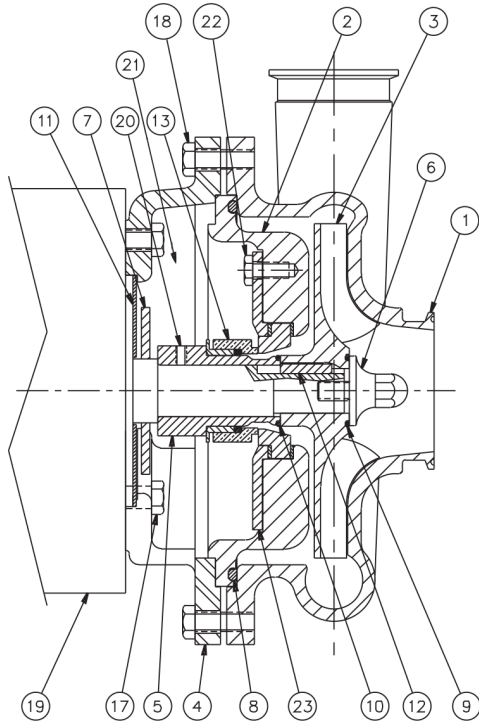
Please reference your serial number when ordering replacement parts.

Select by Part Number:

If you know an exact part number you are looking for, simply hit CONTROL+F and that will bring up the find feature. You may also use the menu, goto EDIT > FIND to bring up the same feature.

Type in your part number and it will show you all instances of that item in the catalog. If you only know some of the part number (i.e. SP328), that will also help and show all occurrences of those numbers together.

Be advised that partials of part number can return a large amount of results.

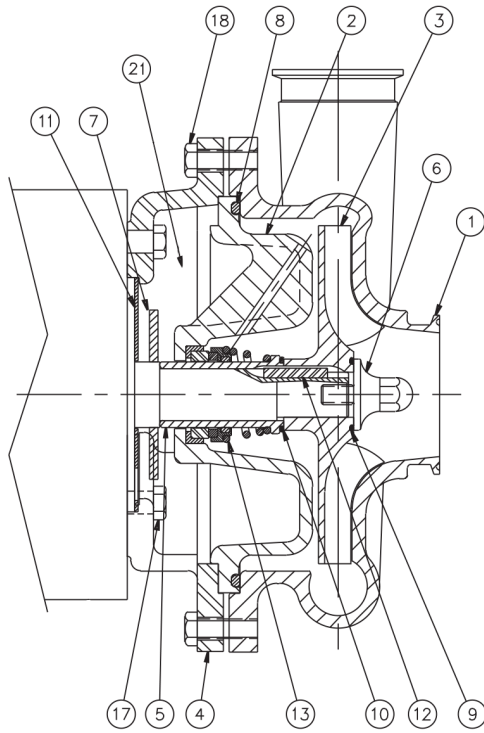


Ref #	Component
1	Casing
2	Cover
3	Impeller
4	Adapter
5	Shaft Sleeve
6	Impeller Screw
7	Slinger
8	O-Ring (Casing/Cover)
9	O-Ring, Impeller Screw
10	O-Ring, Shaft Sleeve (Sleeve/Impeller)
11	Splashplate
12	Key, Impeller
13	Seal Kit
17	Capscrew (Motor/Adapter)
18	Capscrew (Casing/Adapter)
20	Set Screw
21	Guard
22	Capscrew (Cover/Gland)
23	Gland

Exploded View

Optional Items Shown in ITALICS

Ref #	Component Item No.	Description	Qty Per
1	SV8302832	CASING,2X1-1/2,SS,POL MC2	1
2	SC8304561	COVER,2-1/2X2,SS MC3	1
3	SI8302812	IMPELLER,2X1-1/2,SS,POL MC2	1
4	GX8400951	ADAPTER,100 JM FRAME ZC2	1
	<i>SX8400952</i>	<i>ADAPTER,100 JM FRAME,SS ZC2</i>	<i>1</i>
5	SX8204031	SLEEVE,SHFT,SS MC2	1
6	SI8107270	SCREW,IMP,SS DC2 EC2 KC2 MC3 ZC2	1
7	GX5042301	SLINGER,1-7/32X3-1/4X5/32 80 DUR (180JM-210JM)	1
8	GX5102300	O-RING,215/252,BUNA MC3	1
9	GX5102500	O-RING,54P/215/252/327/428,BUN MC3	1
10	GX5102500	O-RING,54P/215/252/327/428,BUN MC3	1
11	GX5091600	SPLASHPLATE,EC2/KC2/RC2/ZC2,SS FR143-184	1
12	GX5051700	KEY,IMPLR,3/16X3/16X1-18,304SS	1
13	GS8109500	KIT,1-3/8,252,T8B2,SC/CA/BU MC3	1
	<i>GS8109501</i>	<i>KIT,1-3/8,252,T8B2,SC/SC/BU MC3</i>	<i>1</i>
	<i>GS8109505</i>	<i>KIT,1-3/8,252,T8B2,CA/BU NO SEAT MC3</i>	<i>1</i>
17	GX5077100	CAPSCRW,HX,3/8-16X1,18-8SS HX HD	4
18	GX5077100	CAPSCRW,HX,3/8-16X1,18-8SS HX HD	8
20	GX5077600	SCREW,SET,10-32X3/8,18-8SS	1
21	GX5096300	GUARD,215/252/327,SHAFT,100JM MC2	1
22	SC1308H-SS	CAPSCRW,BH,5/16-18 X1/2,18-8SS BUTTON HD	4
23	SX8204651	GLAND,2-1/2X2 MCH3	1



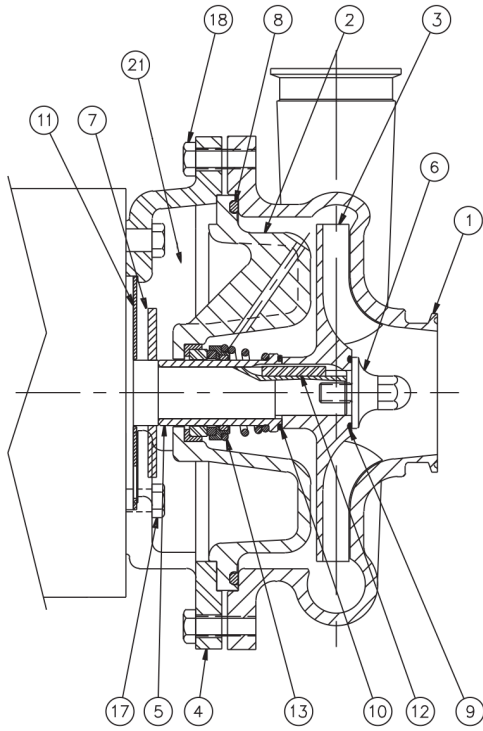
Ref #	Component
1	Casing
2	Cover
3	Impeller
4	Adapter
5	Shaft Sleeve
6	Impeller Screw
7	Slinger
8	O-Ring (Casing/Cover)
10	O-Ring, Shaft Sleeve (Sleeve/Impeller)
11	Splashplate
12	Key, Impeller
13	Seal Kit
17	Capscrew (Motor/Adapter)
18	Capscrew (Casing/Adapter)
21	Guard
23*	Bushing
24*	Set Screw
25*	Pin

* Not Shown in Drawing

Exploded View

Optional Items Shown in ITALICS

Ref #	Component Item No.	Description	Qty Per
1	SV8302831	CASING,2X1-1/2,UNPOL MC2	1
2	SC8306682	COVER,2X1-1/2,HOT OIL,1-1/4 INTRNL SEAL W/DRIVE PIN MC2	1
3	SI8302811	IMPELLER,2X1-1/2,UNPOL MC2	1
4	GX8400951	ADAPTER,100 JM FRAME ZC2	1
	<i>SX8400952</i>	<i>ADAPTER,100 JM FRAME,SS ZC2</i>	<i>1</i>
5	SX8204161	SLEEVE,SHFT,CRO SEAL MC2	1
6	SI8107270	SCREW,IMP,SS DC2 EC2 KC2 MC3 ZC2	1
7	GX5042301	SLINGER,1-7/32X3-1/4X5/32 80 DUR (180JM-210JM)	1
8	GX5102305	O-RING,215/252,AFLAS MC3	1
10	GX5102505	O-RING,215/252/327,AFLAS MC3	2
11	GX5091600	SPLASHPLATE,EC2/KC2/RC2/ZC2,SS FR143-184	1
12	GX5051705	KEY,IMPLR,3/16X3/16X1-38,304SS	1
13	GS8109750	KIT,1-1/4,252,T1,SC/SC/AF O-RING STYL MC3	1
17	GX5077100	CAPSCRW,HX,3/8-16X1,18-8SS HX HD	4
18	GX5077100	CAPSCRW,HX,3/8-16X1,18-8SS HX HD	8
21	GX5096300	GUARD,215/252/327,SHAFT,100JM MC2	1
23	SX8109711	BUSHING,252,SS,T1 SEAL MC3	1
24	SC905A-SS	SCREW,SET,10-24X1/4,18-8SS MC3	1
25	GX5096400	PIN,215,DWL,1/8X3/8,316SS MC3	1

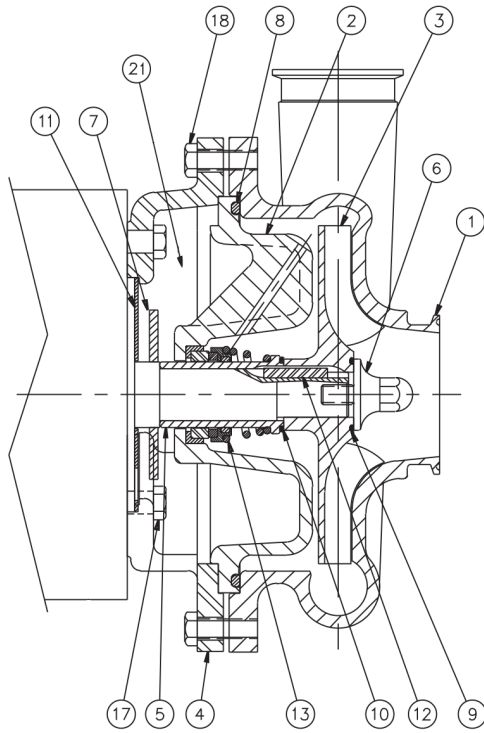


Ref #	Component
1	Casing
2	Cover
3	Impeller
4	Adapter
5	Shaft Sleeve
6	Impeller Screw
7	Slinger
8	O-Ring (Casing/Cover)
10	O-Ring, Shaft Sleeve (Sleeve/Impeller)
11	Splashplate
12	Key, Impeller
13	Seal Kit
17	Capscrew (Motor/Adapter)
18	Capscrew (Casing/Adapter)
21	Guard

Exploded View

Optional Items Shown in ITALICS

Ref #	Component Item No.	Description	Qty Per
1	SV8302832	CASING,2X1-1/2,SS,POL MC2	1
2	SC8303631	COVER,2-1/2X2,SS,CRO SEAL MC2	1
3	SI8302812	IMPELLER,2X1-1/2,SS,POL MC2	1
4	GX8400951	ADAPTER,100 JM FRAME ZC2	1
	<i>SX8400952</i>	<i>ADAPTER,100 JM FRAME,SS ZC2</i>	<i>1</i>
5	SX8204161	SLEEVE,SHFT,CRO SEAL MC2	1
6	SI8107270	SCREW,IMP,SS DC2 EC2 KC2 MC3 ZC2	1
7	GX5042301	SLINGER,1-7/32X3-1/4X5/32 80 DUR (180JM-210JM)	1
8	GX5102300	O-RING,215/252,BUNA MC3	1
9	GX5102500	O-RING,54P/215/252/327/428,BUN MC3	1
10	GX5102500	O-RING,54P/215/252/327/428,BUN MC3	1
11	GX5091600	SPLASHPLATE,EC2/KC2/RC2/ZC2,SS FR143-184	1
12	GX5051700	KEY,IMPLR,3/16X3/16X1-18,304SS	1
13	GS8108230	KIT,1-1/4,CRO,CA/CE/VI MC2	1
17	GX5077100	CAPSCRW,HX,3/8-16X1,18-8SS HX HD	4
18	GX5077100	CAPSCRW,HX,3/8-16X1,18-8SS HX HD	8
21	GX5096300	GUARD,215/252/327,SHAFT,100JM MC2	1



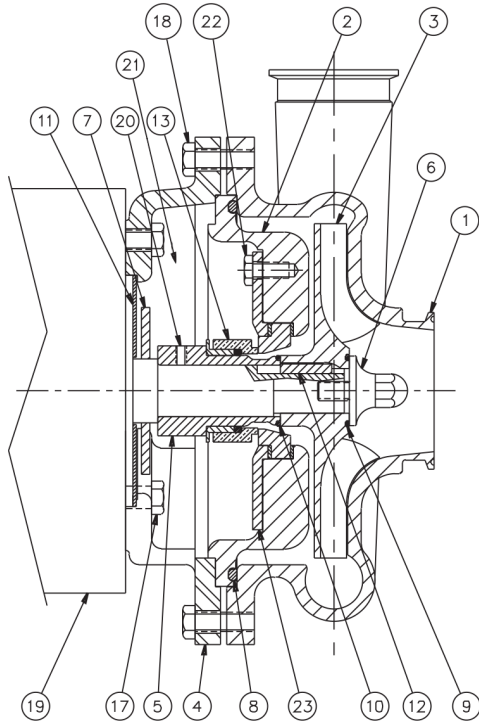
Ref #	Component
1	Casing
2	Cover
3	Impeller
4	Adapter
5	Shaft Sleeve
6	Impeller Screw
7	Slinger
8	O-Ring (Casing/Cover)
10	O-Ring, Shaft Sleeve (Sleeve/Impeller)
11	Splashplate
12	Key, Impeller
13	Seal Kit
17	Capscrew (Motor/Adapter)
18	Capscrew (Casing/Adapter)
21	Guard
23*	Bushing
24*	Set Screw
25*	Pin

* Not Shown in Drawing

Exploded View

Optional Items Shown in ITALICS

Ref #	Component Item No.	Description	Qty Per
1	SV8302831	CASING,2X1-1/2,UNPOL MC2	1
2	SC8306682	COVER,2X1-1/2,HOT OIL,1-1/4 INTRNL SEAL W/DRIVE PIN MC2	1
3	SI8302811	IMPELLER,2X1-1/2,UNPOL MC2	1
4	GX8301391	ADAPTER,210 JM FRAME ZC2	1
	<i>SX8301392</i>	<i>ADAPTER,210 JM FRAME,SS ZC2</i>	<i>1</i>
5	SX8204161	SLEEVE,SHFT,CRO SEAL MC2	1
6	SI8107270	SCREW,IMP,SS DC2 EC2 KC2 MC3 ZC2	1
7	GX5042301	SLINGER,1-7/32X3-1/4X5/32 80 DUR (180JM-210JM)	1
8	GX5102305	O-RING,215/252,AFLAS MC3	1
10	GX5102505	O-RING,215/252/327,AFLAS MC3	2
11	GX5091400	SPLASHPLATE,EC2 KC2 RC2 ZC2,SS FR213-256	1
12	GX5051705	KEY,IMPLR,3/16X3/16X1-38,304SS	1
13	GS8109750	KIT,1-1/4,252,T1,SC/SC/AF O-RING STYL MC3	1
17	GX5077400	CAPSCRW,SH,1/2-13X1-3/4,BLK OX SCKT HD	4
18	GX5077100	CAPSCRW,HX,3/8-16X1,18-8SS HX HD	4
	GX5077200	CAPSCRW,HX,3/8-16X1-1/4,18-8SS HX HD	4
21	GX5096301	GUARD,215/252/327,SHAFT,210JM MC2 MC3	1
23	SX8109711	BUSHING,252,SS,T1 SEAL MC3	1
24	SC905A-SS	SCREW,SET,10-24X1/4,18-8SS MC3	1
25	GX5096400	PIN,215,DWL,1/8X3/8,316SS MC3	1

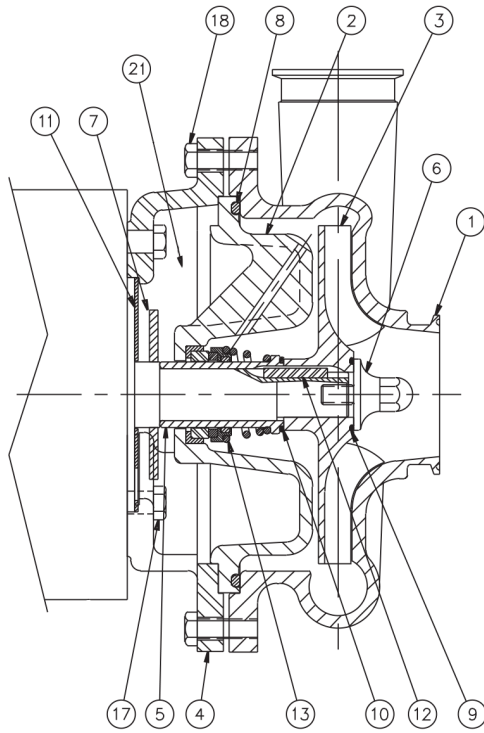


Ref #	Component
1	Casing
2	Cover
3	Impeller
4	Adapter
5	Shaft Sleeve
6	Impeller Screw
7	Slinger
8	O-Ring (Casing/Cover)
9	O-Ring, Impeller Screw
10	O-Ring, Shaft Sleeve (Sleeve/Impeller)
11	Splashplate
12	Key, Impeller
13	Seal Kit
17	Capscrew (Motor/Adapter)
18	Capscrew (Casing/Adapter)
20	Set Screw
21	Guard
22	Capscrew (Cover/Gland)
23	Gland

Exploded View

Optional Items Shown in ITALICS

Ref #	Component Item No.	Description	Qty Per
1	SV8401962	CASING,2-1/2X2,SS,POL MC2	1
2	SC8304561	COVER,2-1/2X2,SS MC3	1
3	SI8302752	IMPELLER,2-1/2X2,SS,POL MC2	1
4	GX8400951	ADAPTER,100 JM FRAME ZC2	1
	<i>SX8400952</i>	<i>ADAPTER,100 JM FRAME,SS ZC2</i>	<i>1</i>
5	SX8204031	SLEEVE,SHFT,SS MC2	1
6	SI8107270	SCREW,IMP,SS DC2 EC2 KC2 MC3 ZC2	1
7	GX5042301	SLINGER,1-7/32X3-1/4X5/32 80 DUR (180JM-210JM)	1
8	GX5102300	O-RING,215/252,BUNA MC3	1
9	GX5102500	O-RING,54P/215/252/327/428,BUN MC3	1
10	GX5102500	O-RING,54P/215/252/327/428,BUN MC3	1
11	GX5091600	SPLASHPLATE,EC2/KC2/RC2/ZC2,SS FR143-184	1
12	GX5051700	KEY,IMPLR,3/16X3/16X1-18,304SS	1
13	GS8109500	KIT,1-3/8,252,T8B2,SC/CA/BU MC3	1
	<i>GS8109501</i>	<i>KIT,1-3/8,252,T8B2,SC/SC/BU MC3</i>	<i>1</i>
	<i>GS8109505</i>	<i>KIT,1-3/8,252,T8B2,CA/BU NO SEAT MC3</i>	<i>1</i>
17	GX5077100	CAPSCRW,HX,3/8-16X1,18-8SS HX HD	4
18	GX5077100	CAPSCRW,HX,3/8-16X1,18-8SS HX HD	8
20	GX5077600	SCREW,SET,10-32X3/8,18-8SS	1
21	GX5096300	GUARD,215/252/327,SHAFT,100JM MC2	1
22	SC1308H-SS	CAPSCRW,BH,5/16-18 X1/2,18-8SS BUTTON HD	4
23	SX8204651	GLAND,2-1/2X2 MCH3	1



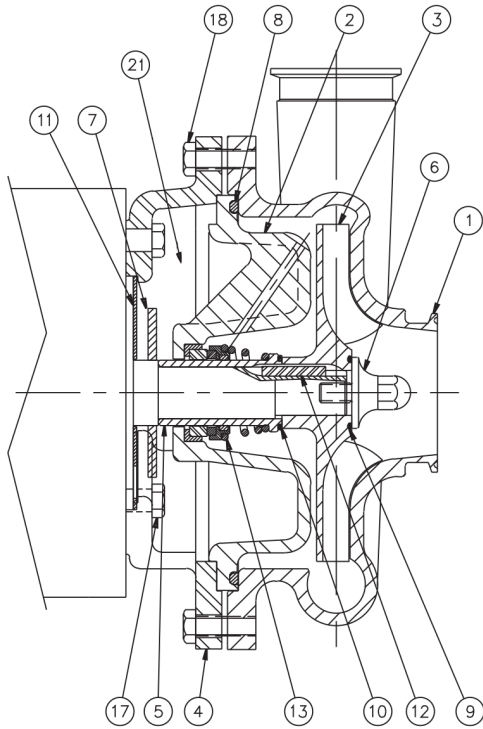
Ref #	Component
1	Casing
2	Cover
3	Impeller
4	Adapter
5	Shaft Sleeve
6	Impeller Screw
7	Slinger
8	O-Ring (Casing/Cover)
10	O-Ring, Shaft Sleeve (Sleeve/Impeller)
11	Splashplate
12	Key, Impeller
13	Seal Kit
17	Capscrew (Motor/Adapter)
18	Capscrew (Casing/Adapter)
21	Guard
23*	Bushing
24*	Set Screw
25*	Pin

* Not Shown in Drawing

Exploded View

Optional Items Shown in ITALICS

Ref #	Component Item No.	Description	Qty Per
1	SV8401961	CASING,2-1/2X2,UNPOL MC2	1
2	SC8306682	COVER,2X1-1/2,HOT OIL,1-1/4 INTRNL SEAL W/DRIVE PIN MC2	1
3	SI8302751	IMPELLER,2-1/2X2,UNP,STD, MC2	1
4	GX8400951	ADAPTER,100 JM FRAME ZC2	1
	<i>SX8400952</i>	<i>ADAPTER,100 JM FRAME,SS ZC2</i>	<i>1</i>
5	SX8204161	SLEEVE,SHFT,CRO SEAL MC2	1
6	SI8107270	SCREW,IMP,SS DC2 EC2 KC2 MC3 ZC2	1
7	GX5042301	SLINGER,1-7/32X3-1/4X5/32 80 DUR (180JM-210JM)	1
8	GX5102305	O-RING,215/252,AFLAS MC3	1
10	GX5102505	O-RING,215/252/327,AFLAS MC3	2
11	GX5091600	SPLASHPLATE,EC2/KC2/RC2/ZC2,SS FR143-184	1
12	GX5051705	KEY,IMPLR,3/16X3/16X1-38,304SS	1
13	GS8109750	KIT,1-1/4,252,T1,SC/SC/AF O-RING STYL MC3	1
17	GX5077100	CAPSCRW,HX,3/8-16X1,18-8SS HX HD	4
18	GX5077100	CAPSCRW,HX,3/8-16X1,18-8SS HX HD	8
21	GX5096300	GUARD,215/252/327,SHAFT,100JM MC2	1
23	SX8109711	BUSHING,252,SS,T1 SEAL MC3	1
24	SC905A-SS	SCREW,SET,10-24X1/4,18-8SS MC3	1
25	GX5096400	PIN,215,DWL,1/8X3/8,316SS MC3	1

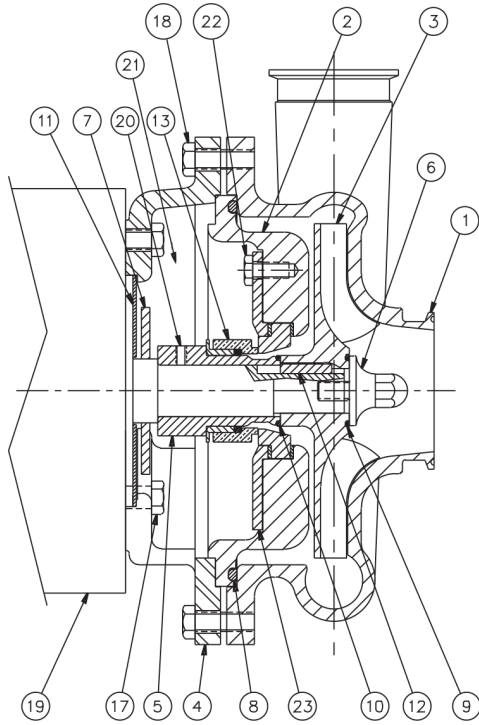


Ref #	Component
1	Casing
2	Cover
3	Impeller
4	Adapter
5	Shaft Sleeve
6	Impeller Screw
7	Slinger
8	O-Ring (Casing/Cover)
10	O-Ring, Shaft Sleeve (Sleeve/Impeller)
11	Splashplate
12	Key, Impeller
13	Seal Kit
17	Capscrew (Motor/Adapter)
18	Capscrew (Casing/Adapter)
21	Guard

Exploded View

Optional Items Shown in ITALICS

Ref #	Component Item No.	Description	Qty Per
1	SV8401962	CASING,2-1/2X2,SS,POL MC2	1
2	SC8303631	COVER,2-1/2X2,SS,CRO SEAL MC2	1
3	SI8302752	IMPELLER,2-1/2X2,SS,POL MC2	1
4	GX8400951	ADAPTER,100 JM FRAME ZC2	1
	<i>SX8400952</i>	<i>ADAPTER,100 JM FRAME,SS ZC2</i>	<i>1</i>
5	SX8204161	SLEEVE,SHFT,CRO SEAL MC2	1
6	SI8107270	SCREW,IMP,SS DC2 EC2 KC2 MC3 ZC2	1
7	GX5042301	SLINGER,1-7/32X3-1/4X5/32 80 DUR (180JM-210JM)	1
8	GX5102300	O-RING,215/252,BUNA MC3	1
9	GX5102500	O-RING,54P/215/252/327/428,BUN MC3	1
10	GX5102500	O-RING,54P/215/252/327/428,BUN MC3	1
11	GX5091600	SPLASHPLATE,EC2/KC2/RC2/ZC2,SS FR143-184	1
12	GX5051700	KEY,IMPLR,3/16X3/16X1-18,304SS	1
13	GS8108230	KIT,1-1/4,CRO,CA/CE/VI MC2	1
17	GX5077100	CAPSCRW,HX,3/8-16X1,18-8SS HX HD	4
18	GX5077100	CAPSCRW,HX,3/8-16X1,18-8SS HX HD	8
21	GX5096300	GUARD,215/252/327,SHAFT,100JM MC2	1

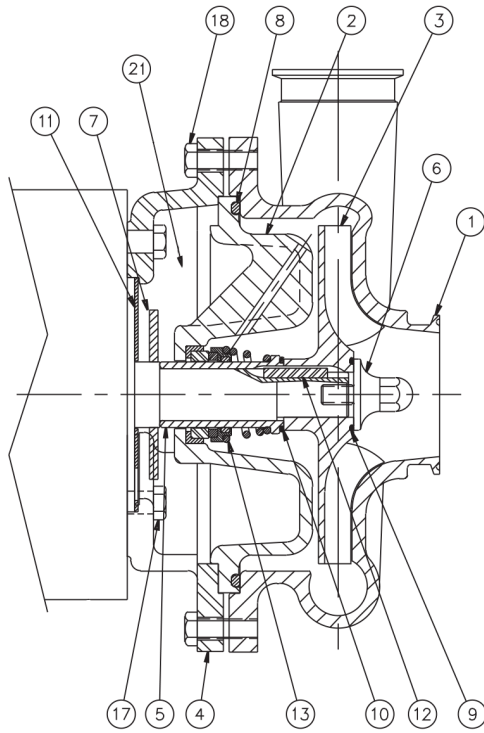


Ref #	Component
1	Casing
2	Cover
3	Impeller
4	Adapter
5	Shaft Sleeve
6	Impeller Screw
7	Slinger
8	O-Ring (Casing/Cover)
9	O-Ring, Impeller Screw
10	O-Ring, Shaft Sleeve (Sleeve/Impeller)
11	Splashplate
12	Key, Impeller
13	Seal Kit
17	Capscrew (Motor/Adapter)
18	Capscrew (Casing/Adapter)
20	Set Screw
21	Guard
22	Capscrew (Cover/Gland)
23	Gland

Exploded View

Optional Items Shown in ITALICS

Ref #	Component Item No.	Description	Qty Per
1	SV8401962	CASING,2-1/2X2,SS,POL MC2	1
2	SC8304561	COVER,2-1/2X2,SS MC3	1
3	SI8302752	IMPELLER,2-1/2X2,SS,POL MC2	1
4	GX8301391	ADAPTER,210 JM FRAME ZC2	1
	<i>SX8301392</i>	<i>ADAPTER,210 JM FRAME,SS ZC2</i>	<i>1</i>
5	SX8204031	SLEEVE,SHFT,SS MC2	1
6	SI8107270	SCREW,IMP,SS DC2 EC2 KC2 MC3 ZC2	1
7	GX5042301	SLINGER,1-7/32X3-1/4X5/32 80 DUR (180JM-210JM)	1
8	GX5102300	O-RING,215/252,BUNA MC3	1
9	GX5102500	O-RING,54P/215/252/327/428,BUN MC3	1
10	GX5102500	O-RING,54P/215/252/327/428,BUN MC3	1
11	GX5091400	SPLASHPLATE,EC2/KC2/RC2/ZC2,SS FR213-256	1
12	GX5051700	KEY,IMPLR,3/16X3/16X1-18,304SS	1
13	GS8109500	KIT,1-3/8,252,T8B2,SC/CA/BU MC3	1
	<i>GS8109501</i>	<i>KIT,1-3/8,252,T8B2,SC/SC/BU MC3</i>	<i>1</i>
	<i>GS8109505</i>	<i>KIT,1-3/8,252,T8B2,CA/BU NO SEAT MC3</i>	<i>1</i>
17	GX5077100	CAPSCRW,HX,3/8-16X1,18-8SS HX HD	4
	GX5077200	CAPSCRW,HX,3/8-16X1-1/4,18-8SS HX HD	4
	GX5077400	CAPSCRW,SH,1/2-13X1-3/4,BLK OX SCKT HD	4
20	GX5077600	SCREW,SET,10-32X3/8,18-8SS	1
21	GX5096301	GUARD,215/252/327,SHAFT,210JM MC2 MC3	1
22	SC1308H-SS	CAPSCRW,BH,5/16-18 X1/2,18-8SS BUTTON HD	4
23	SX8204651	GLAND,2-1/2X2 MCH3	1



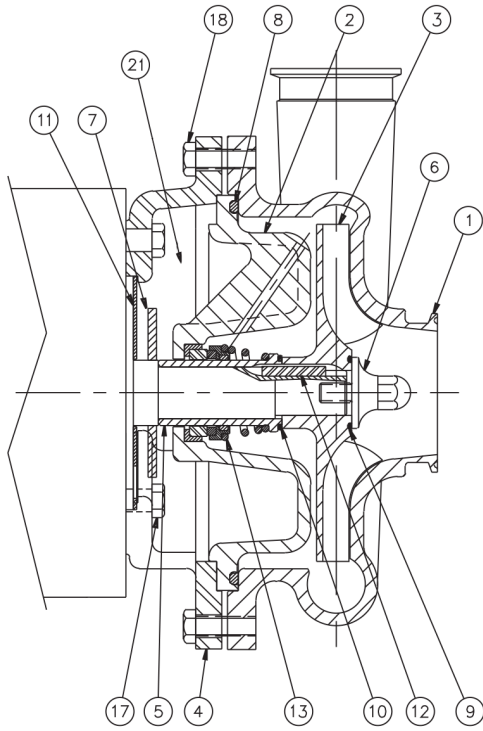
Ref #	Component
1	Casing
2	Cover
3	Impeller
4	Adapter
5	Shaft Sleeve
6	Impeller Screw
7	Slinger
8	O-Ring (Casing/Cover)
10	O-Ring, Shaft Sleeve (Sleeve/Impeller)
11	Splashplate
12	Key, Impeller
13	Seal Kit
17	Capscrew (Motor/Adapter)
18	Capscrew (Casing/Adapter)
21	Guard
23*	Bushing
24*	Set Screw
25*	Pin

* Not Shown in Drawing

Exploded View

Optional Items Shown in ITALICS

Ref #	Component Item No.	Description	Qty Per
1	SV8401961	CASING,2-1/2X2,UNPOL MC2	1
2	SC8306682	COVER,2X1-1/2,HOT OIL,1-1/4 INTRNL SEAL W/DRIVE PIN MC2	1
3	SI8302751	IMPELLER,2-1/2X2,UNP,STD, MC2	1
4	GX8301391	ADAPTER,210 JM FRAME ZC2	1
	<i>SX8301392</i>	<i>ADAPTER,210 JM FRAME,SS ZC2</i>	<i>1</i>
5	SX8204161	SLEEVE,SHFT,CRO SEAL MC2	1
6	SI8107270	SCREW,IMP,SS DC2 EC2 KC2 MC3 ZC2	1
7	GX5042301	SLINGER,1-7/32X3-1/4X5/32 80 DUR (180JM-210JM)	1
8	GX5102305	O-RING,215/252,AFLAS MC3	1
10	GX5102505	O-RING,215/252/327,AFLAS MC3	2
11	GX5091400	SPLASHPLATE,EC2 KC2 RC2 ZC2,SS FR213-256	1
12	GX5051705	KEY,IMPLR,3/16X3/16X1-38,304SS	1
13	GS8109750	KIT,1-1/4,252,T1,SC/SC/AF O-RING STYL MC3	1
17	GX5077400	CAPSCRW,SH,1/2-13X1-3/4,BLK OX SCKT HD	4
18	GX5077100	CAPSCRW,HX,3/8-16X1,18-8SS HX HD	4
	GX5077200	CAPSCRW,HX,3/8-16X1-1/4,18-8SS HX HD	4
21	GX5096301	GUARD,215/252/327,SHAFT,210JM MC2 MC3	1
23	SX8109711	BUSHING,252,SS,T1 SEAL MC3	1
24	SC905A-SS	SCREW,SET,10-24X1/4,18-8SS MC3	1
25	GX5096400	PIN,215,DWL,1/8X3/8,316SS MC3	1

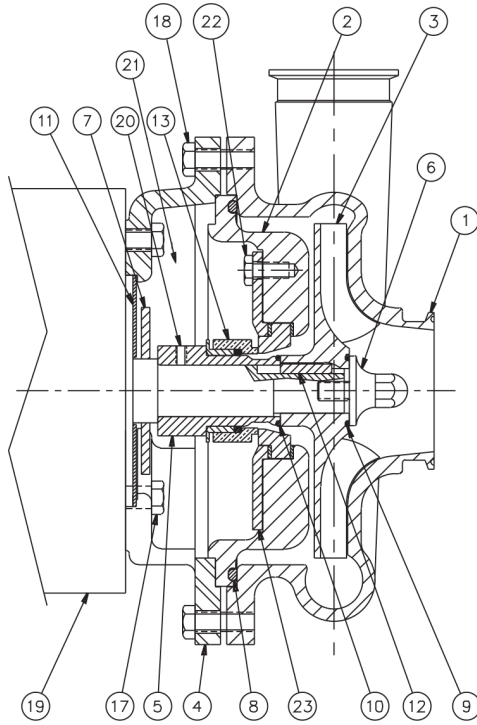


Ref #	Component
1	Casing
2	Cover
3	Impeller
4	Adapter
5	Shaft Sleeve
6	Impeller Screw
7	Slinger
8	O-Ring (Casing/Cover)
10	O-Ring, Shaft Sleeve (Sleeve/Impeller)
11	Splashplate
12	Key, Impeller
13	Seal Kit
17	Capscrew (Motor/Adapter)
18	Capscrew (Casing/Adapter)
21	Guard

Exploded View

Optional Items Shown in ITALICS

Ref #	Component Item No.	Description	Qty Per
1	SV8401962	CASING,2-1/2X2,SS,POL MC2	1
2	SC8303631	COVER,2-1/2X2,SS,CRO SEAL MC2	1
3	SI8302752	IMPELLER,2-1/2X2,SS,POL MC2	1
4	GX8301391	ADAPTER,210 JM FRAME ZC2	1
	<i>SX8301392</i>	<i>ADAPTER,210 JM FRAME,SS ZC2</i>	<i>1</i>
5	SX8204161	SLEEVE,SHFT,CRO SEAL MC2	1
6	SI8107270	SCREW,IMP,SS DC2 EC2 KC2 MC3 ZC2	1
7	GX5042301	SLINGER,1-7/32X3-1/4X5/32 80 DUR (180JM-210JM)	1
8	GX5102300	O-RING,215/252,BUNA MC3	1
9	GX5102500	O-RING,54P/215/252/327/428,BUN MC3	1
10	GX5102500	O-RING,54P/215/252/327/428,BUN MC3	1
11	GX5091400	SPLASHPLATE,EC2/KC2/RC2/ZC2,SS FR213-256	1
12	GX5051700	KEY,IMPLR,3/16X3/16X1-18,304SS	1
13	GS8108230	KIT,1-1/4,CRO,CA/CE/VI MC2	1
17	GX5077400	CAPSCRW,SH,1/2-13X1-3/4,BLK OX SCKT HD	4
18	GX5077100	CAPSCRW,HX,3/8-16X1,18-8SS HX HD	4
	GX5077200	CAPSCRW,HX,3/8-16X1-1/4,18-8SS HX HD	4
21	GX5096301	GUARD,215/252/327,SHAFT,210JM MC2 MC3	1

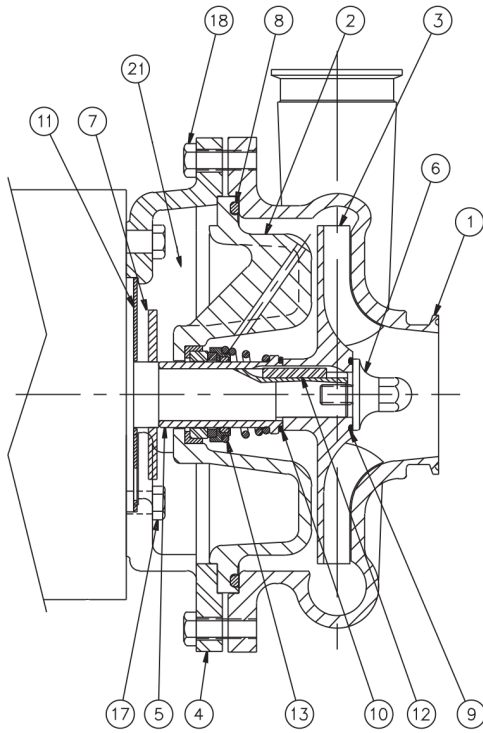


Ref #	Component
1	Casing
2	Cover
3	Impeller
4	Adapter
5	Shaft Sleeve
6	Impeller Screw
7	Slinger
8	O-Ring (Casing/Cover)
9	O-Ring, Impeller Screw
10	O-Ring, Shaft Sleeve (Sleeve/Impeller)
11	Splashplate
12	Key, Impeller
13	Seal Kit
17	Capscrew (Motor/Adapter)
18	Capscrew (Casing/Adapter)
20	Set Screw
21	Guard
22	Capscrew (Cover/Gland)
23	Gland

Exploded View

Optional Items Shown in ITALICS

Ref #	Component Item No.	Description	Qty Per
1	SV8302872	CASING,3X2-1/2,SS,POL MC3 MCH3	1
2	SC8304581	COVER,3X2-1/2X 7 MC3	1
3	SI8302892	IMPELLER,3X2-1/2,SS,POL MC2	1
4	GX8400951	ADAPTER,100 JM FRAME ZC2	1
	<i>SX8400952</i>	<i>ADAPTER,100 JM FRAME,SS ZC2</i>	<i>1</i>
5	SX8204031	SLEEVE,SHFT,SS MC2	1
6	SI8107270	SCREW,IMP,SS DC2 EC2 KC2 MC3 ZC2	1
7	GX5042301	SLINGER,1-7/32X3-1/4X5/32 80 DUR (180JM-210JM)	1
8	GX5102400	O-RING,327,BUNA MC3 MCH3	1
9	GX5102500	O-RING,54P/215/252/327/428,BUN MC3	1
10	GX5102500	O-RING,54P/215/252/327/428,BUN MC3	1
11	GX5091600	SPLASHPLATE,EC2/KC2/RC2/ZC2,SS FR143-184	1
12	GX5051700	KEY,IMPLR,3/16X3/16X1-18,304SS	1
13	GS8109510	KIT,1-3/8,327,T8B2,SC/CA/BU MC3	1
	<i>GS8110570</i>	<i>KIT,1-3/8,327,T8B2,SC/SC/BU MC3</i>	<i>1</i>
	<i>GS8109515</i>	<i>KIT,1-3/8,327,T8B2,CA/BU NO SEAT MC3</i>	<i>1</i>
17	GX5077100	CAPSCRW,HX,3/8-16X1,18-8SS HX HD	4
18	GX5077100	CAPSCRW,HX,3/8-16X1,18-8SS HX HD	8
20	GX5077600	SCREW,SET,10-32X3/8,18-8SS	1
21	GX5096300	GUARD,215/252/327,SHAFT,100JM MC2	1
22	SC1308H-SS	CAPSCRW,BH,5/16-18 X1/2,18-8SS BUTTON HD	4
23	SX8204651	GLAND,2-1/2X2 MCH3	1



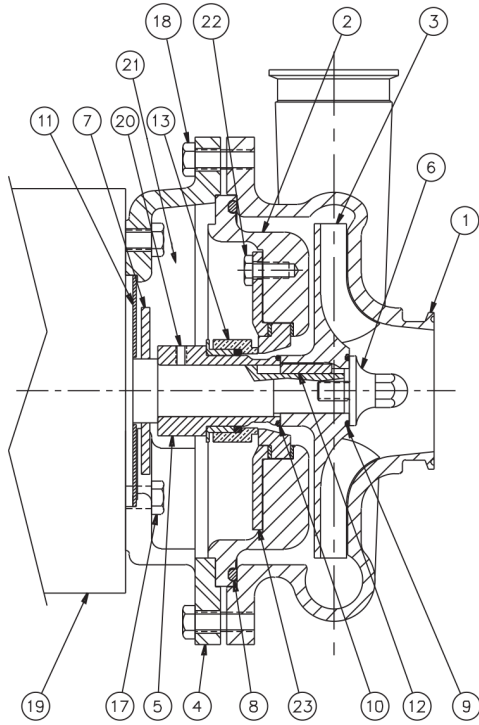
Ref #	Component
1	Casing
2	Cover
3	Impeller
4	Adapter
5	Shaft Sleeve
6	Impeller Screw
7	Slinger
8	O-Ring (Casing/Cover)
10	O-Ring, Shaft Sleeve (Sleeve/Impeller)
11	Splashplate
12	Key, Impeller
13	Seal Kit
17	Capscrew (Motor/Adapter)
18	Capscrew (Casing/Adapter)
21	Guard
23*	Bushing
24*	Set Screw
25*	Pin

* Not Shown in Drawing

Exploded View

Optional Items Shown in ITALICS

Ref #	Component Item No.	Description	Qty Per
1	SV8302871	CASING,3X2-1/2,UNPOL MC3 MCH3	1
2	SC8303232	COVER,3X2-1/2,SS,HOT OIL MC2	1
3	SI8302891	IMPELLER,3X2-1/2,UNPOL MC2	1
4	GX8400951	ADAPTER,100 JM FRAME ZC2	1
	<i>SX8400952</i>	<i>ADAPTER,100 JM FRAME,SS ZC2</i>	<i>1</i>
5	SX8204161	SLEEVE,SHFT,CRO SEAL MC2	1
6	SI8107270	SCREW,IMP,SS DC2 EC2 KC2 MC3 ZC2	1
7	GX5042301	SLINGER,1-7/32X3-1/4X5/32 80 DUR (180JM-210JM)	1
8	GX5102403	O-RING,327,AFLAS MC3	1
10	GX5102505	O-RING,215/252/327,AFLAS MC3	2
11	GX5091600	SPLASHPLATE,EC2/KC2/RC2/ZC2,SS FR143-184	1
12	GX5051705	KEY,IMPLR,3/16X3/16X1-38,304SS	1
13	GS8109760	KIT,1-1/4,325,T1,SC/SC/AFLAS O-RING STYL MC2	1
17	GX5077100	CAPSCRW,HX,3/8-16X1,18-8SS HX HD	4
18	GX5077100	CAPSCRW,HX,3/8-16X1,18-8SS HX HD	8
21	GX5096300	GUARD,215/252/327,SHAFT,100JM MC2	1
23	SX8109711	BUSHING,252,SS,T1 SEAL MC3	1
24	SC905A-SS	SCREW,SET,10-24X1/4,18-8SS MC3	1
25	GX5096400	PIN,215,DWL,1/8X3/8,316SS MC3	1

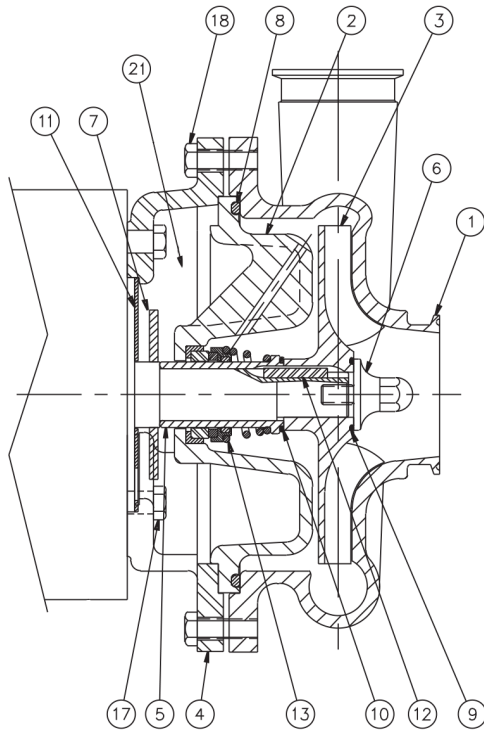


Ref #	Component
1	Casing
2	Cover
3	Impeller
4	Adapter
5	Shaft Sleeve
6	Impeller Screw
7	Slinger
8	O-Ring (Casing/Cover)
9	O-Ring, Impeller Screw
10	O-Ring, Shaft Sleeve (Sleeve/Impeller)
11	Splashplate
12	Key, Impeller
13	Seal Kit
17	Capscrew (Motor/Adapter)
18	Capscrew (Casing/Adapter)
20	Set Screw
21	Guard
22	Capscrew (Cover/Gland)
23	Gland

Exploded View

Optional Items Shown in ITALICS

Ref #	Component Item No.	Description	Qty Per
1	SV8302872	CASING,3X2-1/2,SS,POL MC3 MCH3	1
2	SC8304581	COVER,3X2-1/2X 7 MC3	1
3	SI8302892	IMPELLER,3X2-1/2,SS,POL MC2	1
4	GX8301391	ADAPTER,210 JM FRAME ZC2	1
	<i>SX8301392</i>	<i>ADAPTER,210 JM FRAME,SS ZC2</i>	<i>1</i>
5	SX8204031	SLEEVE,SHFT,SS MC2	1
6	SI8107270	SCREW,IMP,SS DC2 EC2 KC2 MC3 ZC2	1
7	GX5042301	SLINGER,1-7/32X3-1/4X5/32 80 DUR (180JM-210JM)	1
8	GX5102400	O-RING,327,BUNA MC3 MCH3	1
9	GX5102500	O-RING,54P/215/252/327/428,BUN MC3	1
10	GX5102500	O-RING,54P/215/252/327/428,BUN MC3	1
11	GX5091400	SPLASHPLATE,EC2/KC2/RC2/ZC2,SS FR213-256	1
12	GX5051700	KEY,IMPLR,3/16X3/16X1-18,304SS	1
13	GS8109510	KIT,1-3/8,327,T8B2,SC/CA/BU MC3	1
	<i>GS8110570</i>	<i>KIT,1-3/8,327,T8B2,SC/SC/BU MC3</i>	<i>1</i>
	<i>GS8109515</i>	<i>KIT,1-3/8,327,T8B2,CA/BU NO SEAT MC3</i>	<i>1</i>
17	GX5077100	CAPSCRW,HX,3/8-16X1,18-8SS HX HD	4
	GX5077200	CAPSCRW,HX,3/8-16X1-1/4,18-8SS HX HD	4
	GX5077400	CAPSCRW,SH,1/2-13X1-3/4,BLK OX SCKT HD	4
20	GX5077600	SCREW,SET,10-32X3/8,18-8SS	1
21	GX5096301	GUARD,215/252/327,SHAFT,210JM MC2 MC3	1
22	SC1308H-SS	CAPSCRW,BH,5/16-18 X1/2,18-8SS BUTTON HD	4
23	SX8204651	GLAND,2-1/2X2 MCH3	1



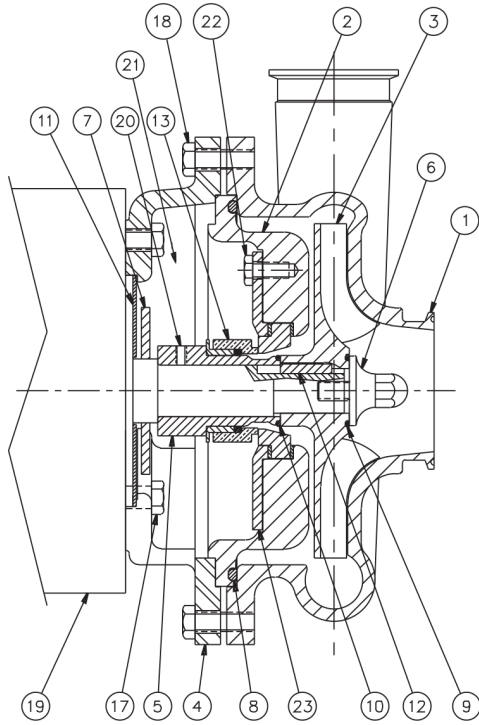
Ref #	Component
1	Casing
2	Cover
3	Impeller
4	Adapter
5	Shaft Sleeve
6	Impeller Screw
7	Slinger
8	O-Ring (Casing/Cover)
10	O-Ring, Shaft Sleeve (Sleeve/Impeller)
11	Splashplate
12	Key, Impeller
13	Seal Kit
17	Capscrew (Motor/Adapter)
18	Capscrew (Casing/Adapter)
21	Guard
23*	Bushing
24*	Set Screw
25*	Pin

* Not Shown in Drawing

Exploded View

Optional Items Shown in ITALICS

Ref #	Component Item No.	Description	Qty Per
1	SV8302871	CASING,3X2-1/2,UNPOL MC3 MCH3	1
2	SC8303232	COVER,3X2-1/2,SS,HOT OIL MC2	1
3	SI8302891	IMPELLER,3X2-1/2,UNPOL MC2	1
4	GX8301391	ADAPTER,210 JM FRAME ZC2	1
	<i>SX8301392</i>	<i>ADAPTER,210 JM FRAME,SS ZC2</i>	<i>1</i>
5	SX8204161	SLEEVE,SHFT,CRO SEAL MC2	1
6	SI8107270	SCREW,IMP,SS DC2 EC2 KC2 MC3 ZC2	1
7	GX5042301	SLINGER,1-7/32X3-1/4X5/32 80 DUR (180JM-210JM)	1
8	GX5102403	O-RING,327,AFLAS MC3	1
10	GX5102505	O-RING,215/252/327,AFLAS MC3	2
11	GX5091400	SPLASHPLATE,EC2 KC2 RC2 ZC2,SS FR213-256	1
12	GX5051705	KEY,IMPLR,3/16X3/16X1-38,304SS	1
13	GS8109760	KIT,1-1/4,325,T1,SC/SC/AFLAS O-RING STYL MC2	1
17	GX5077400	CAPSCRW,SH,1/2-13X1-3/4,BLK OX SCKT HD	4
18	GX5077100	CAPSCRW,HX,3/8-16X1,18-8SS HX HD	4
	GX5077200	CAPSCRW,HX,3/8-16X1-1/4,18-8SS HX HD	4
21	GX5096301	GUARD,215/252/327,SHAFT,210JM MC2 MC3	1
23	SX8109711	BUSHING,252,SS,T1 SEAL MC3	1
24	SC905A-SS	SCREW,SET,10-24X1/4,18-8SS MC3	1
25	GX5096400	PIN,215,DWL,1/8X3/8,316SS MC3	1

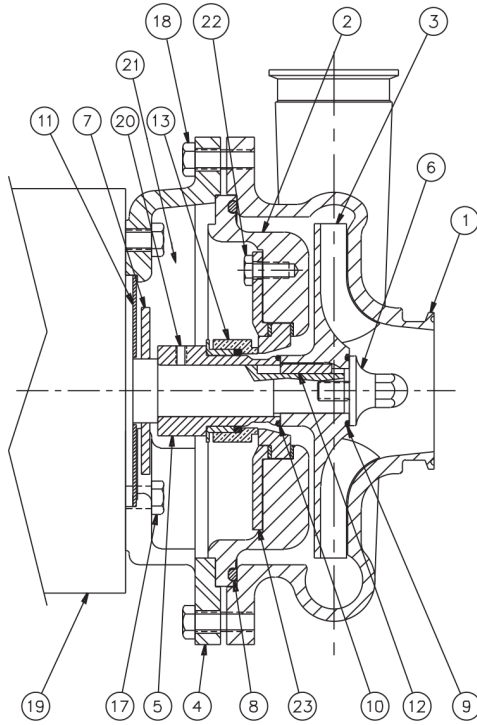


Ref #	Component
1	Casing
2	Cover
3	Impeller
4	Adapter
5	Shaft Sleeve
6	Impeller Screw
7	Slinger
8	O-Ring (Casing/Cover)
9	O-Ring, Impeller Screw
10	O-Ring, Shaft Sleeve (Sleeve/Impeller)
11	Splashplate
12	Key, Impeller
13	Seal Kit
17	Capscrew (Motor/Adapter)
18	Capscrew (Casing/Adapter)
20	Set Screw
21	Guard
22	Capscrew (Cover/Gland)
23	Gland

Exploded View

Optional Items Shown in ITALICS

Ref #	Component Item No.	Description	Qty Per
1	SV8403051	CASING,3X2-1/2X8,POL MC3	1
2	SC8304821	COVER,3X2-1/2X8,SS MC3	1
3	SI8304851	IMPELLER,3X2-1/2X8,POL MC3	1
4	GX8403121	ADAPTER,140/180,JM FRAME MC3 328	1
5	SX8204031	SLEEVE,SHFT,SS MC2	1
6	SI8107270	SCREW,IMP,SS DC2 EC2 KC2 MC3 ZC2	1
7	GX5042301	SLINGER,1-7/32X3-1/4X5/32 80 DUR (180JM-210JM)	1
8	GX5108500	O-RING,328/428,BUNA MC3 MCH3	1
9	GX5102500	O-RING,54P/215/252/327/428,BUN MC3	1
10	GX5102500	O-RING,54P/215/252/327/428,BUN MC3	1
11	GX5091600	SPLASHPLATE,EC2 KC2 RC2 ZC2,SS FR143-184	1
12	GX5051700	KEY,IMPLR,3/16X3/16X1-18,304SS	1
13	GS8109520	KIT,1-3/8,328,T8B2,SC/CA/BU MC3	1
	<i>GS8109521</i>	<i>KIT,1-3/8,328,T8B2,SC/SC/BU MC3</i>	<i>1</i>
	<i>GS8109525</i>	<i>KIT,1-3/8,328,T8B2,CA/BU NO SEAT MC3</i>	<i>1</i>
17	GX5077100	CAPSCRW,HX,3/8-16X1,18-8SS HX HD	4
18	GX5077100	CAPSCRW,HX,3/8-16X1,18-8SS HX HD	8
20	GX5077600	SCREW,SET,10-32X3/8,18-8SS	1
21	GX5096300	GUARD,215/252/327,SHAFT,100JM MC2	1
22	SC1308H-SS	CAPSCRW,BH,5/16-18 X1/2,18-8SS BUTTON HD	4
23	SX8204651	GLAND,2-1/2X2 MCH3	1

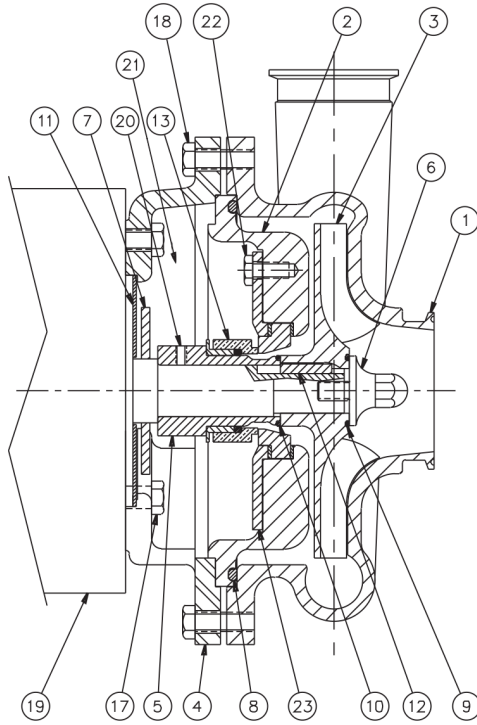


Ref #	Component
1	Casing
2	Cover
3	Impeller
4	Adapter
5	Shaft Sleeve
6	Impeller Screw
7	Slinger
8	O-Ring (Casing/Cover)
9	O-Ring, Impeller Screw
10	O-Ring, Shaft Sleeve (Sleeve/Impeller)
11	Splashplate
12	Key, Impeller
13	Seal Kit
17	Capscrew (Motor/Adapter)
18	Capscrew (Casing/Adapter)
20	Set Screw
21	Guard
22	Capscrew (Cover/Gland)
23	Gland

Exploded View

Optional Items Shown in ITALICS

Ref #	Component Item No.	Description	Qty Per
1	SV8403051	CASING,3X2-1/2X8,POL MC3	1
2	SC8304821	COVER,3X2-1/2X8,SS MC3	1
3	SI8304851	IMPELLER,3X2-1/2X8,POL MC3	1
4	GX8403141	ADAPTER,328 210JM FRAME MC3	1
5	SX8204031	SLEEVE,SHFT,SS MC2	1
6	SI8107270	SCREW,IMP,SS DC2 EC2 KC2 MC3 ZC2	1
7	GX5042301	SLINGER,1-7/32X3-1/4X5/32 80 DUR (180JM-210JM)	1
8	GX5108500	O-RING,328/428,BUNA MC3 MCH3	1
9	GX5102500	O-RING,54P/215/252/327/428,BUN MC3	1
10	GX5102500	O-RING,54P/215/252/327/428,BUN MC3	1
11	GX5091400	SPLASHPLATE,EC2 KC2 RC2 ZC2,SS FR213-256	1
12	GX5051700	KEY,IMPLR,3/16X3/16X1-18,304SS	1
13	GS8109520	KIT,1-3/8,328,T8B2,SC/CA/BU MC3	1
	<i>GS8109521</i>	<i>KIT,1-3/8,328,T8B2,SC/SC/BU MC3</i>	<i>1</i>
	<i>GS8109525</i>	<i>KIT,1-3/8,328,T8B2,CA/BU NO SEAT MC3</i>	<i>1</i>
17	SC1710H-SS	CAPSCRW,HX,1/2-13X1,18-8SS HX HD	4
18	GX5077100	CAPSCRW,HX,3/8-16X1,18-8SS HX HD	8
20	GX5077600	SCREW,SET,10-32X3/8,18-8SS	1
21	GX5096302	GUARD,327/328/428,SHAFT MC3 MCH3	1
22	SC1308H-SS	CAPSCRW,BH,5/16-18 X1/2,18-8SS BUTTON HD	4
23	SX8204651	GLAND,2-1/2X2 MCH3	1

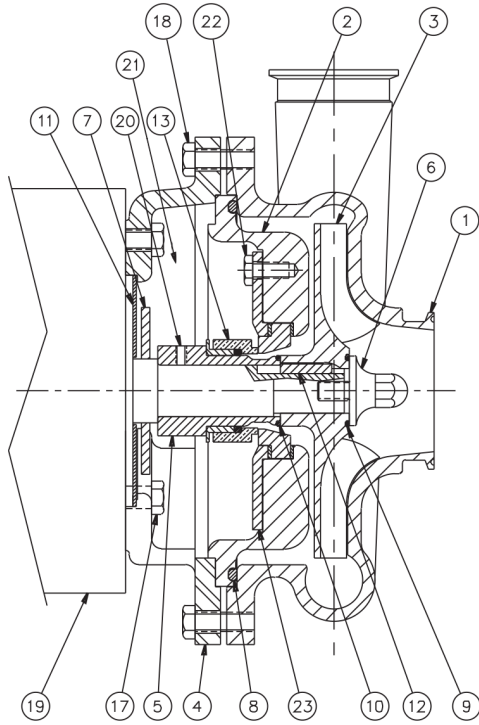


Ref #	Component
1	Casing
2	Cover
3	Impeller
4	Adapter
5	Shaft Sleeve
6	Impeller Screw
7	Slinger
8	O-Ring (Casing/Cover)
9	O-Ring, Impeller Screw
10	O-Ring, Shaft Sleeve (Sleeve/Impeller)
11	Splashplate
12	Key, Impeller
13	Seal Kit
17	Capscrew (Motor/Adapter)
18	Capscrew (Casing/Adapter)
20	Set Screw
21	Guard
22	Capscrew (Cover/Gland)
23	Gland

Exploded View

Optional Items Shown in ITALICS

Ref #	Component Item No.	Description	Qty Per
1	SV8403071	CASING,4X2-1/2X8,POL MC3	1
2	SC8304821	COVER,3X2-1/2X8,SS MC3	1
3	SI8304851	IMPELLER,3X2-1/2X8,POL MC3	1
4	GX8403121	ADAPTER,140/180,JM FRAME MC3 328	1
5	SX8204031	SLEEVE,SHFT,SS MC2	1
6	SI8107270	SCREW,IMP,SS DC2 EC2 KC2 MC3 ZC2	1
7	GX5042301	SLINGER,1-7/32X3-1/4X5/32 80 DUR (180JM-210JM)	1
8	GX5108500	O-RING,328/428,BUNA MC3 MCH3	1
9	GX5102500	O-RING,54P/215/252/327/428,BUN MC3	1
10	GX5102500	O-RING,54P/215/252/327/428,BUN MC3	1
11	GX5091600	SPLASHPLATE,EC2 KC2 RC2 ZC2,SS FR143-184	1
12	GX5051700	KEY,IMPLR,3/16X3/16X1-18,304SS	1
13	GS8109520	KIT,1-3/8,328,T8B2,SC/CA/BU MC3	1
	GS8109521	<i>KIT,1-3/8,328,T8B2,SC/SC/BU MC3</i>	<i>1</i>
	GS8109525	<i>KIT,1-3/8,328,T8B2,CA/BU NO SEAT MC3</i>	<i>1</i>
17	GX5077100	CAPSCRW,HX,3/8-16X1,18-8SS HX HD	4
18	GX5077100	CAPSCRW,HX,3/8-16X1,18-8SS HX HD	8
20	GX5077600	SCREW,SET,10-32X3/8,18-8SS	1
21	GX5096300	GUARD,215/252/327,SHAFT,100JM MC2	1
22	SC1308H-SS	CAPSCRW,BH,5/16-18 X1/2,18-8SS BUTTON HD	4
23	SX8204651	GLAND,2-1/2X2 MCH3	1

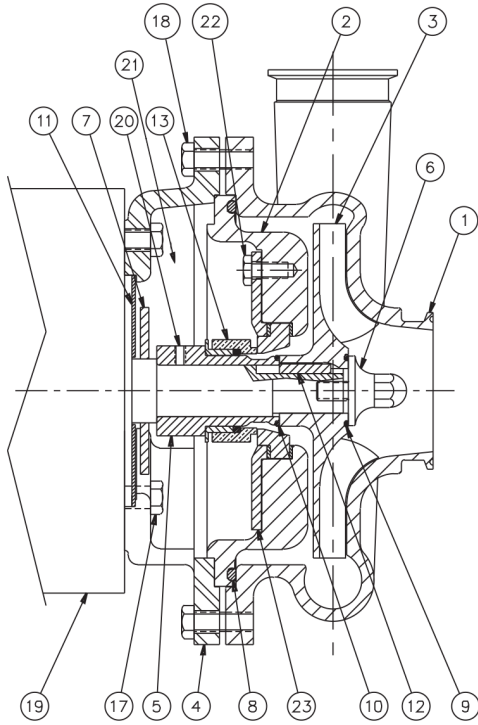


Ref #	Component
1	Casing
2	Cover
3	Impeller
4	Adapter
5	Shaft Sleeve
6	Impeller Screw
7	Slinger
8	O-Ring (Casing/Cover)
9	O-Ring, Impeller Screw
10	O-Ring, Shaft Sleeve (Sleeve/Impeller)
11	Splashplate
12	Key, Impeller
13	Seal Kit
17	Capscrew (Motor/Adapter)
18	Capscrew (Casing/Adapter)
20	Set Screw
21	Guard
22	Capscrew (Cover/Gland)
23	Gland

Exploded View

Optional Items Shown in ITALICS

Ref #	Component Item No.	Description	Qty Per
1	SV8403071	CASING,4X2-1/2X8,POL MC3	1
2	SC8304821	COVER,3X2-1/2X8,SS MC3	1
3	SI8304851	IMPELLER,3X2-1/2X8,POL MC3	1
4	GX8403141	ADAPTER,328 210JM FRAME MC3	1
5	SX8204031	SLEEVE,SHFT,SS MC2	1
6	SI8107270	SCREW,IMP,SS DC2 EC2 KC2 MC3 ZC2	1
7	GX5042301	SLINGER,1-7/32X3-1/4X5/32 80 DUR (180JM-210JM)	1
8	GX5108500	O-RING,328/428,BUNA MC3 MCH3	1
9	GX5102500	O-RING,54P/215/252/327/428,BUN MC3	1
10	GX5102500	O-RING,54P/215/252/327/428,BUN MC3	1
11	GX5091400	SPLASHPLATE,EC2 KC2 RC2 ZC2,SS FR213-256	1
12	GX5051700	KEY,IMPLR,3/16X3/16X1-18,304SS	1
13	GS8109520	KIT,1-3/8,328,T8B2,SC/CA/BU MC3	1
	<i>GS8109521</i>	<i>KIT,1-3/8,328,T8B2,SC/SC/BU MC3</i>	<i>1</i>
	<i>GS8109525</i>	<i>KIT,1-3/8,328,T8B2,CA/BU NO SEAT MC3</i>	<i>1</i>
17	SC1710H-SS	CAPSCRW,HX,1/2-13X1,18-8SS HX HD	4
18	GX5077100	CAPSCRW,HX,3/8-16X1,18-8SS HX HD	8
20	GX5077600	SCREW,SET,10-32X3/8,18-8SS	1
21	GX5096302	GUARD,327/328/428,SHAFT MC3 MCH3	1
22	SC1308H-SS	CAPSCRW,BH,5/16-18 X1/2,18-8SS BUTTON HD	4
23	SX8204651	GLAND,2-1/2X2 MCH3	1

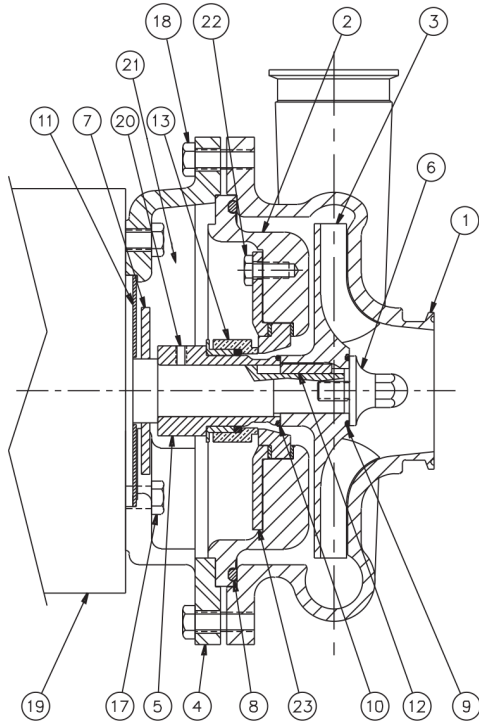


Ref #	Component
1	Casing
2	Cover
3	Impeller
4	Adapter
5	Shaft Sleeve
6	Impeller Screw
7	Slinger
8	O-Ring (Casing/Cover)
9	O-Ring, Impeller Screw
10	O-Ring, Shaft Sleeve (Sleeve/Impeller)
11	Splashplate
12	Key, Impeller
13	Seal Kit
17	Capscrew (Motor/Adapter)
18	Capscrew (Casing/Adapter)
20	Set Screw
21	Guard
22	Capscrew (Cover/Gland)
23	Gland

Exploded View

Optional Items Shown in ITALICS

Ref #	Component Item No.	Description	Qty Per
1	SV8302872	CASING,3X2-1/2,SS,POL MC3 MCH3	1
2	SC8304911	COVER,3X2-1/2X7,SS MCH3	1
3	SI8303322	IMPELLER,3X2-1/2,SS,POL MCH2	1
4	GX8401251	ADAPTER,250 JM FRAME ZCH2	1
	<i>SX8401252</i>	<i>ADAPTER,250 JM FRAME,SS NS ZCH2</i>	<i>1</i>
5	SX8204661	SLEEVE,SHFT,3X2-1/2X7 MCH3	1
6	SI8107390	SCREW,327/328/428,IMP,SS MCH3	1
7	GX5098700	SLINGER,1-23/32X3-3/4X 3/16 ZCH2	1
8	GX5102400	O-RING,327,BUNA MC3 MCH3	1
9	N70029	O-RING,2-029,FDA COMPLIANT ZP2 ZP3 MCH3	1
10	GX5099800	O-RING,1-5/8X1-3/4X1/16,BUNA SLEEVE	1
11	GX5091400	SPLASHPLATE,EC2/KC2/RC2/ZC2,SS FR213-256	1
12	GX5051217	KEY,IMPLR/SLV,1.375X.25X.2 304SS	1
13	GS8109530	KIT,1-3/4,327,T8B2 SC/CA/BU MCH3	1
	<i>GS8110560</i>	<i>KIT,1-3/4,327,T8B2,SC/SC/BU MCH3</i>	<i>1</i>
	<i>GS8109535</i>	<i>KIT,1-3/4,327,T8B2,CA/BU NO SEAT MCH3</i>	<i>1</i>
17	GX5077500	CAPSCRW,SH,1/2-13X3,BLK OX SCKT HD	4
18	GX5077200	CAPSCRW,HX,3/8-16X1-1/4,18-8SS HX HD	8
21	GX5096302	GUARD,327/328/428,SHAFT MC3 MCH3	1
22	SC1308H-SS	CAPSCRW,BH,5/16-18 X1/2,18-8SS BUTTON HD	4
23	SX8204631	GLAND,3X2-1/2X8,SS MCH3	1

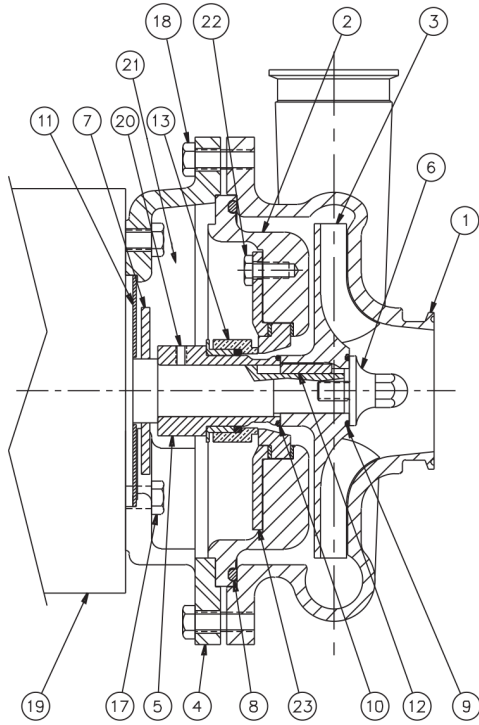


Ref #	Component
1	Casing
2	Cover
3	Impeller
4	Adapter
5	Shaft Sleeve
6	Impeller Screw
7	Slinger
8	O-Ring (Casing/Cover)
9	O-Ring, Impeller Screw
10	O-Ring, Shaft Sleeve (Sleeve/Impeller)
11	Splashplate
12	Key, Impeller
13	Seal Kit
17	Capscrew (Motor/Adapter)
18	Capscrew (Casing/Adapter)
20	Set Screw
21	Guard
22	Capscrew (Cover/Gland)
23	Gland

Exploded View

Optional Items Shown in ITALICS

Ref #	Component Item No.	Description	Qty Per
1	SV8302872	CASING,3X2-1/2,SS,POL MC3 MCH3	1
2	SC8304911	COVER,3X2-1/2X7,SS MCH3	1
3	SI8303322	IMPELLER,3X2-1/2,SS,POL MCH2	1
4	GX8401891	ADAPTER,280JM FRAME,3X3 MCH2/DCH2	1
5	SX8204661	SLEEVE,SHFT,3X2-1/2X7 MCH3	1
6	SI8107390	SCREW,327/328/428,IMP,SS MCH3	1
7	GX5098700	SLINGER,1-23/32X3-3/4X 3/16 ZCH2	1
8	GX5102400	O-RING,327,BUNA MC3 MCH3	1
9	N70029	O-RING,2-029,FDA COMPLIANT ZP2 ZP3 MCH3	1
10	GX5099800	O-RING,1-5/8X1-3/4X1/16,BUNA SLEEVE	1
11	GX5091400	SPLASHPLATE,EC2/KC2/RC2/ZC2,SS FR213-256	1
12	GX5051217	KEY,IMPLR/SLV,1.375X.25X.2 304SS	1
13	GS8109530	KIT,1-3/4,327,T8B2 SC/CA/BU MCH3	1
	<i>GS8110560</i>	<i>KIT,1-3/4,327,T8B2,SC/SC/BU MCH3</i>	<i>1</i>
	<i>GS8109535</i>	<i>KIT,1-3/4,327,T8B2,CA/BU NO SEAT MCH3</i>	<i>1</i>
17	GX5076700	CAPSCRW,HX,5/8-11X1-1/2,18-8SS HX HD	4
18	GX5077200	CAPSCRW,HX,3/8-16X1-1/4,18-8SS HX HD	8
21	GX5096302	GUARD,327/328/428,SHAFT MC3 MCH3	1
22	SC1308H-SS	CAPSCRW,BH,5/16-18 X1/2,18-8SS BUTTON HD	4
23	SX8204631	GLAND,3X2-1/2X8,SS MCH3	1

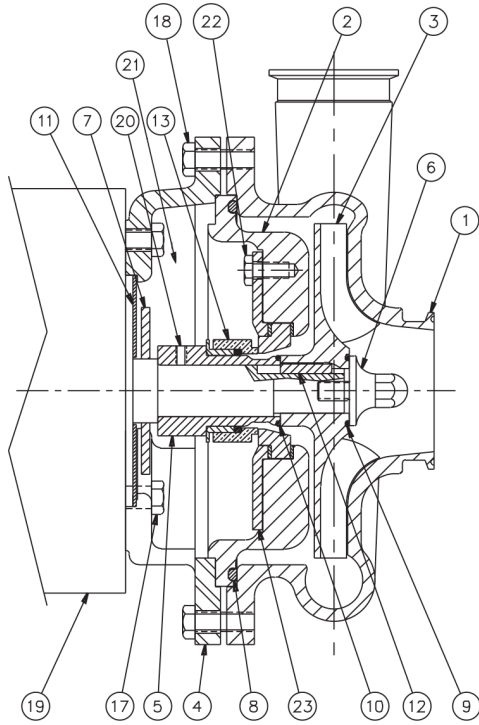


Ref #	Component
1	Casing
2	Cover
3	Impeller
4	Adapter
5	Shaft Sleeve
6	Impeller Screw
7	Slinger
8	O-Ring (Casing/Cover)
9	O-Ring, Impeller Screw
10	O-Ring, Shaft Sleeve (Sleeve/Impeller)
11	Splashplate
12	Key, Impeller
13	Seal Kit
17	Capscrew (Motor/Adapter)
18	Capscrew (Casing/Adapter)
20	Set Screw
21	Guard
22	Capscrew (Cover/Gland)
23	Gland

Exploded View

Optional Items Shown in ITALICS

Ref #	Component Item No.	Description	Qty Per
1	SV8403051	CASING,3X2-1/2X8,POL MC3	1
2	SC8304811	COVER,3X2-1/2X8,SS,EXTRNL SEAL MCH3	1
3	SI8304841	IMPELLER,3X2-1/2X8,POL MCH3	1
4	GX8401851	ADAPTER,250,JM,3X3 DCH2	1
5	SX8204621	SLEEVE,SHFT,3X2-1/2X8 MCH3	1
6	SI8107390	SCREW,327/328/428,IMP,SS MCH3	1
7	GX5098700	SLINGER,1-23/32X3-3/4X 3/16 ZCH2	1
8	GX5108500	O-RING,328/428,BUNA MC3 MCH3	1
9	N70029	O-RING,2-029,FDA COMPLIANT ZP2 ZP3 MCH3	1
10	GX5099800	O-RING,1-5/8X1-3/4X1/16,BUNA SLEEVE	1
11	GX5091400	SPLASHPLATE,EC2/KC2/RC2/ZC2,SS FR213-256	1
12	GX5051217	KEY,IMPLR/SLV,1.375X.25X.2 304SS	1
13	GS8109540	KIT,1-3/4,328,T8B2,SC/CA/BU MCH3	1
	<i>GS8109541</i>	<i>KIT,1-3/4,328,T8B2,SC/SC/BU MCH3</i>	<i>1</i>
17	GX5077500	CAPSCRW,SH,1/2-13X3,BLK OX SCKT HD	4
18	GX5077200	CAPSCRW,HX,3/8-16X1-1/4,18-8SS HX HD	8
21	GX5096302	GUARD,327/328/428,SHAFT MC3 MCH3	1
22	SC1308H-SS	CAPSCRW,BH,5/16-18 X1/2,18-8SS BUTTON HD	4
23	SX8204631	GLAND,3X2-1/2X8,SS MCH3	1

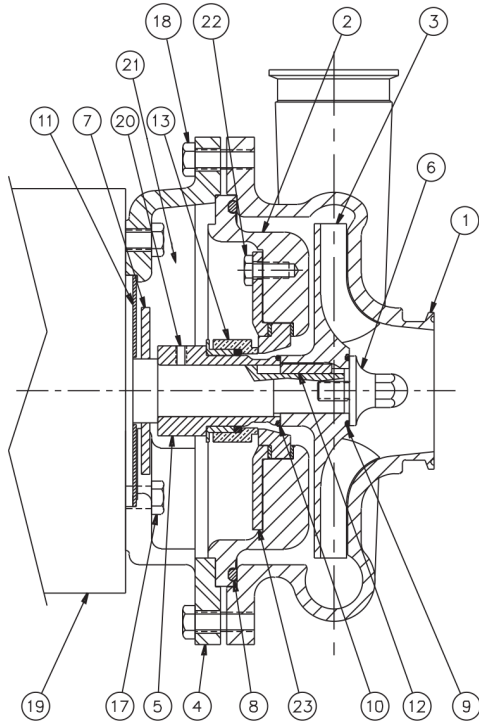


Ref #	Component
1	Casing
2	Cover
3	Impeller
4	Adapter
5	Shaft Sleeve
6	Impeller Screw
7	Slinger
8	O-Ring (Casing/Cover)
9	O-Ring, Impeller Screw
10	O-Ring, Shaft Sleeve (Sleeve/Impeller)
11	Splashplate
12	Key, Impeller
13	Seal Kit
17	Capscrew (Motor/Adapter)
18	Capscrew (Casing/Adapter)
20	Set Screw
21	Guard
22	Capscrew (Cover/Gland)
23	Gland

Exploded View

Optional Items Shown in ITALICS

Ref #	Component Item No.	Description	Qty Per
1	SV8403051	CASING,3X2-1/2X8,POL MC3	1
2	SC8304811	COVER,3X2-1/2X8,SS,EXTRNL SEAL MCH3	1
3	SI8304841	IMPELLER,3X2-1/2X8,POL MCH3	1
4	GX8401891	ADAPTER,280JM FRAME,3X3 MCH2/DCH2	1
5	SX8204621	SLEEVE,SHFT,3X2-1/2X8 MCH3	1
6	SI8107390	SCREW,327/328/428,IMP,SS MCH3	1
7	GX5098700	SLINGER,1-23/32X3-3/4X 3/16 ZCH2	1
8	GX5108500	O-RING,328/428,BUNA MC3 MCH3	1
9	N70029	O-RING,2-029,FDA COMPLIANT ZP2 ZP3 MCH3	1
10	GX5099800	O-RING,1-5/8X1-3/4X1/16,BUNA SLEEVE	1
11	SX8101072	SPLASHPLATE,280JM FRM ZCH2	1
12	GX5051217	KEY,IMPLR/SLV,1.375X.25X.2 304SS	1
13	GS8109540	KIT,1-3/4,328,T8B2,SC/CA/BU MCH3	1
	<i>GS8109541</i>	<i>KIT,1-3/4,328,T8B2,SC/SC/BU MCH3</i>	<i>1</i>
17	GX5076700	CAPSCRW,HX,5/8-11X1-1/2,18-8SS HX HD	4
18	GX5077200	CAPSCRW,HX,3/8-16X1-1/4,18-8SS HX HD	8
21	GX5096302	GUARD,327/328/428,SHAFT MC3 MCH3	1
22	SC1308H-SS	CAPSCRW,BH,5/16-18 X1/2,18-8SS BUTTON HD	4
23	SX8204631	GLAND,3X2-1/2X8,SS MCH3	1

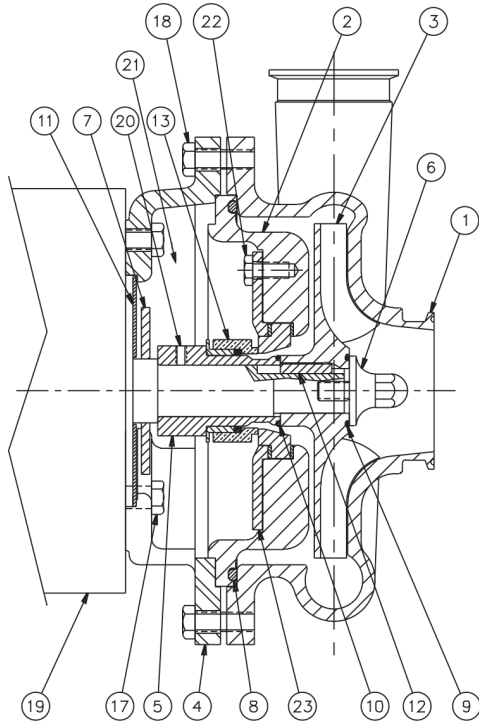


Ref #	Component
1	Casing
2	Cover
3	Impeller
4	Adapter
5	Shaft Sleeve
6	Impeller Screw
7	Slinger
8	O-Ring (Casing/Cover)
9	O-Ring, Impeller Screw
10	O-Ring, Shaft Sleeve (Sleeve/Impeller)
11	Splashplate
12	Key, Impeller
13	Seal Kit
17	Capscrew (Motor/Adapter)
18	Capscrew (Casing/Adapter)
20	Set Screw
21	Guard
22	Capscrew (Cover/Gland)
23	Gland

Exploded View

Optional Items Shown in ITALICS

Ref #	Component Item No.	Description	Qty Per
1	SV8403071	CASING,4X2-1/2X8,POL MC3	1
2	SC8304811	COVER,3X2-1/2X8,SS,EXTRNL SEAL MCH3	1
3	SI8304841	IMPELLER,3X2-1/2X8,POL MCH3	1
4	GX8401851	ADAPTER,250,JM,3X3 DCH2	1
5	SX8204621	SLEEVE,SHFT,3X2-1/2X8 MCH3	1
6	SI8107390	SCREW,327/328/428,IMP,SS MCH3	1
7	GX5098700	SLINGER,1-23/32X3-3/4X 3/16 ZCH2	1
8	GX5108500	O-RING,328/428,BUNA MC3 MCH3	1
9	N70029	O-RING,2-029,FDA COMPLIANT ZP2 ZP3 MCH3	1
10	GX5099800	O-RING,1-5/8X1-3/4X1/16,BUNA SLEEVE	1
11	GX5091400	SPLASHPLATE,EC2/KC2/RC2/ZC2,SS FR213-256	1
12	GX5051217	KEY,IMPLR/SLV,1.375X.25X.2 304SS	1
13	GS8109540	KIT,1-3/4,328,T8B2,SC/CA/BU MCH3	1
	<i>GS8109541</i>	<i>KIT,1-3/4,328,T8B2,SC/SC/BU MCH3</i>	<i>1</i>
17	GX5077200	CAPSCRW,HX,3/8-16X1-1/4,18-8SS HX HD	4
	GX5077500	CAPSCRW,SH,1/2-13X3,BLK OX SCKT HD	4
21	GX5096302	GUARD,327/328/428,SHAFT MC3 MCH3	1
22	SC1308H-SS	CAPSCRW,BH,5/16-18 X1/2,18-8SS BUTTON HD	4
23	SX8204631	GLAND,3X2-1/2X8,SS MCH3	1



Ref #	Component
1	Casing
2	Cover
3	Impeller
4	Adapter
5	Shaft Sleeve
6	Impeller Screw
7	Slinger
8	O-Ring (Casing/Cover)
9	O-Ring, Impeller Screw
10	O-Ring, Shaft Sleeve (Sleeve/Impeller)
11	Splashplate
12	Key, Impeller
13	Seal Kit
17	Capscrew (Motor/Adapter)
18	Capscrew (Casing/Adapter)
20	Set Screw
21	Guard
22	Capscrew (Cover/Gland)
23	Gland

Exploded View

Optional Items Shown in ITALICS

Ref #	Component Item No.	Description	Qty Per
1	SV8403071	CASING,4X2-1/2X8,POL MC3	1
2	SC8304811	COVER,3X2-1/2X8,SS,EXTRNL SEAL MCH3	1
3	SI8304841	IMPELLER,3X2-1/2X8,POL MCH3	1
4	GX8401891	ADAPTER,280JM FRAME,3X3 MCH2/DCH2	1
5	SX8204621	SLEEVE,SHFT,3X2-1/2X8 MCH3	1
6	SI8107390	SCREW,327/328/428,IMP,SS MCH3	1
7	GX5098700	SLINGER,1-23/32X3-3/4X 3/16 ZCH2	1
8	GX5108500	O-RING,328/428,BUNA MC3 MCH3	1
9	N70029	O-RING,2-029,FDA COMPLIANT ZP2 ZP3 MCH3	1
10	GX5099800	O-RING,1-5/8X1-3/4X1/16,BUNA SLEEVE	1
11	SX8101072	SPLASHPLATE,280JM FRM ZCH2	1
12	GX5051217	KEY,IMPLR/SLV,1.375X.25X.2 304SS	1
13	GS8109540	KIT,1-3/4,328,T8B2,SC/CA/BU MCH3	1
	<i>GS8109541</i>	<i>KIT,1-3/4,328,T8B2,SC/SC/BU MCH3</i>	<i>1</i>
17	GX5076700	CAPSCRW,HX,5/8-11X1-1/2,18-8SS HX HD	4
18	GX5077200	CAPSCRW,HX,3/8-16X1-1/4,18-8SS HX HD	8
21	GX5096302	GUARD,327/328/428,SHAFT MC3 MCH3	1
22	SC1308H-SS	CAPSCRW,BH,5/16-18 X1/2,18-8SS BUTTON HD	4
23	SX8204631	GLAND,3X2-1/2X8,SS MCH3	1

Order Online: www.PumpCatalog.com