

# SALES & ENGINEERING DATA

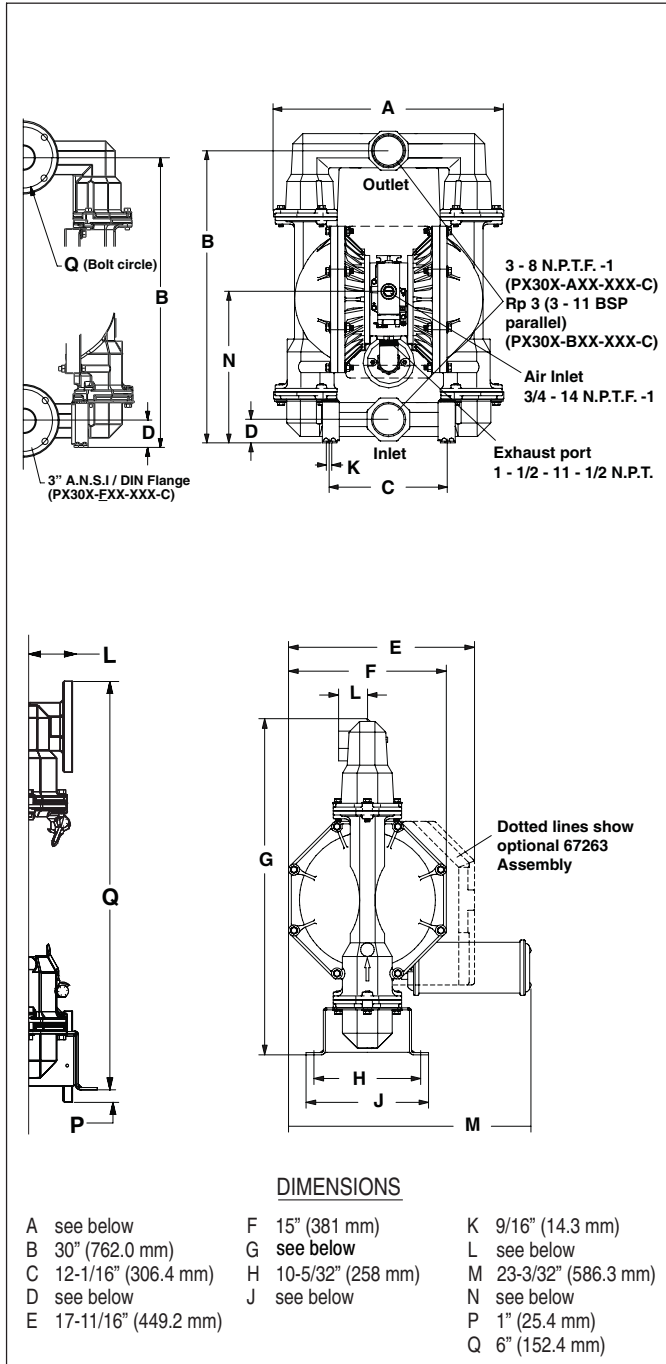
RATIO SERIES: **1:1**

FLUID P.S.I. RANGE: **20 - 120**

## PD30A-XXX-XXX-C and PD30S-XXX-XXX-C PE30A-XXX-XXX-C and PE30S-XXX-XXX-C 3" METALLIC DIAPHRAGM PUMP

RELEASED: 2-9-05  
REVISED: 1-16-11  
(REV. 05) S-1340

### DIMENSIONAL DATA



### SPECIFICATIONS

#### CONSTRUCTION

Model Series	.....	PX30A-XXX-XXX-C
	.....	PX30S-XXX-XXX-C
Pump Type	.....	Metallic, Air Operated, Double Diaphragm
Ratio	.....	1:1
<b>Material Inlet / Outlet (female)</b>		
PX30X-AXX-XXX-C	.....	3 - 8 N.P.T.F. - 1
PX30X-BXX-XXX-C	.....	Rp 3 (3 - 11 BSP parallel)
PX30X-FXX-XXX-C	.....	3" A.N.S.I / DIN Flange
<b>Air Inlet (female)</b> ..... 3/4 - 14 N.P.T.F. - 1		
<b>Air Exhaust (female)</b> ..... 1-1/2 - 11-1/2 N.P.T.		
<b>Weight</b> ..... PX30A-XAX-XXX-C ..... 129.5 lbs (58.8 kgs)		
	.....	PX30A-XCX-XXX-C ..... 216.6 lbs (98.2 kgs)
	.....	PX30A-AHX-XXX-C, BHX ..... 249.8 lbs (113.3 kgs)
	.....	PX30A-ASX-XXX-C, BSX ..... 228.8 lbs (103.8 kgs)
	.....	PX30A-FHX-XXX-C ..... 269.6 lbs (122.3 kgs)
	.....	PX30A-FSX-XXX-C ..... 245.6 lbs (111.4 kgs)
	[add 40.0 lbs (18.2 kgs) for Stainless steel air motor section]	
<b>Air Section Service Kit</b> ..... 637421		
<b>Fluid Section Service Kit</b> ..... 637303-XX		

PX30X-XXX-X    -C

637303 -

Diaphragm Material  
Ball Material

EXAMPLE: Model #PD30A-ACS-SVT-C  
Fluid Section Service Kit is 637303-VT

#### PERFORMANCE

<b>Air Inlet Pressure Range</b> .....	20 - 120 p.s.i. (1.4 - 8.3 bar)
<b>Maximum Material Inlet Pressure</b> .....	10 p.s.i. (0.69 bar)
<b>Fluid Outlet Pressure Range</b> .....	20 - 120 p.s.i. (1.4 - 8.3 bar)
<b>Maximum Flow Rate</b> .....	237 g.p.m. (897 l.p.m.)
<b>Maximum Particle Size</b> .....	3/8" dia. (9.5 mm)
<b>Maximum Temperature Limits (diaphragm / ball / seal material)</b>	
E.P.R. / EPDM .....	-60° to 280° F (-51° to 138° C)
Hytrel .....	-20° to 150° F (-29° to 66° C)
Nitrile .....	10° to 180° F (-12° to 82° C)
PVDF (Kynar) .....	10° to 200° F (-12° to 93° C)
Santoprene .....	-40° to 225° F (-40° to 107° C)
PTFE .....	40° to 225° F (4° to 107° C)
Viton .....	-40° to 350° F (-40° to 177° C)
<b>Displacement / Cycle @ 100 p.s.i.</b> .....	2.8 gal. (10.6 lit.)
<b>Noise Level @ 70 p.s.i. - 50 c.p.m.</b> ① .....	83.0 db(A)②

① Tested with 67263 muffler assembly installed.

② The pump sound pressure level has been updated to an Equivalent Continuous Sound Level (L<sub>Aeq</sub>) to meet the intent of ANSI S1. 13-1971, CAGI-PNEUROC S5.1 using four microphone locations.

#### ACCESSORIES:

66109 Air line Connection Kit  
67263 Continuous Muffler  
94117 Int. Muffler

NOTE: Dimensions are shown in inches and (mm), supplied for reference only and are typically rounded up to the nearest 1/16 inch.

	"A"	"D"	"J"	"N"	"L"	"G"
PX30X-XAX-XXX-C	23-5/8" (600.1 mm)	2-3/8" (60.3 mm)	11" (279.4 mm)	15-1/2" (393.7 mm)	2-3/4" (69.9 mm)	32" (812.8 mm)
PX30X-XCX-XXX-C	23-5/8" (600.1 mm)	2-7/16" (61.9 mm)	11-11/16" (296.9 mm)	15-1/2" (393.7 mm)	2-3/4" (69.9 mm)	32" (812.8 mm)
PX30X-XHX-XXX-C	23-1/8" (587.4 mm)	2-3/4" (69.9 mm)	11-11/16" (296.9 mm)	16" (406.4 mm)	2-3/4" (69.9 mm)	32" (812.8 mm)
PX30X-XSX-XXX-C	23-1/8" (587.4 mm)	2-3/4" (69.9 mm)	11-11/16" (296.9 mm)	16" (406.4 mm)	2-3/4" (69.9 mm)	32" (812.8 mm)
PX30X-FXX-XXX-C	23-1/8" (587.4 mm)	2-3/4" (69.9 mm)	11-11/16" (296.9 mm)	16" (406.4 mm)	3-3/4" (95.25 mm)	33-3/4" (857.3 mm)

# PERFORMANCE CURVES

## PX30A-XXX-XXX-C / PX30S-XXX-XXX-C 3" METALLIC DIAPHRAGM PUMP

