

# BERKELEY® B4ZRKS

## Cast Iron Impeller

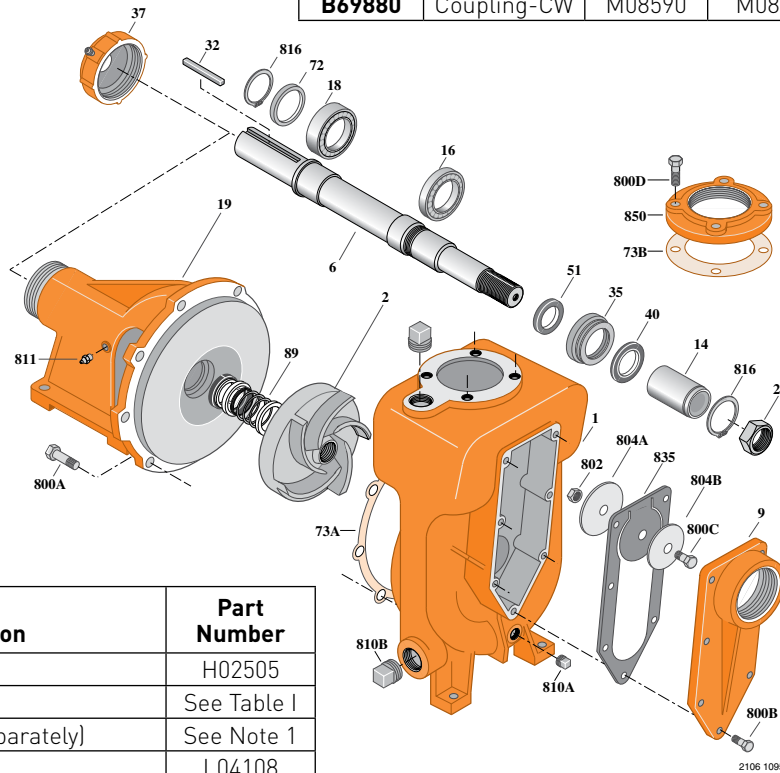
### BEARING FRAME MOUNT SELF PRIME

Threaded Case (NPT), Mechanical Seal Construction

Section	FM/SP
Page	40.1
Date	March 4, 2013
Supersedes 01/01/04	

**Table I**

B/M No.	Drive Type	Shaft No.	Impeller	Impeller Size
<b>B69880</b>	Coupling-CW	M08590	M08095	9.12"x1.00" BA



Item No.	Part Description	Part Number
1	Case, Volute	H02505
2	Impeller	See Table I
6	Shaft (Not available separately)	See Note 1
9	Cover, Suction	L04108
14	Sleeve, Shaft	S39242
16	Bearing, Ball	S13270
18	Bearing, Ball	S13271
19	Frame	H04007
24	Nut, Hex Jam	M10220
32	Key, 1/4x1"	S24168
35	Inner Bearing Cap	M10213
37	Outer Bearing Cap*	S19914
40	Slinger, Water	S12260
51	Seal, Oil	M10216
72	Ring, Thrust	S29218
73A	Gasket, Case	S05126
73B	Gasket, Blind Flange	S10364
89	Seal, Mechanical Shaft	S32690
800A	Capscrew, Hex 3/8-16x1" (8 Req.)	S26826
800B	Capscrew, Hex 3/8-16x1-1/4" (7 Req.)	S26828

Item No.	Part Description	Part Number
800C	Capscrew, Hex 3/8-16x3/4"	S26824
800D	Capscrew, Hex 5/8-11x1-3/4" (4 Req.)	S27001
802	Nut, Hex 3/8-16	S23103
804A	Weight, Clack	S14842
804B	Weight, Clack	S15325
810A	Plug, Pipe 1/2" NPT	S23717
810B	Plug, Pipe 1-1/2" NPT (2 Req.)	S23695
811	Fitting, Grease	S23670
816	Ring, Retaining External	S23009
816	Ring, Retaining	S23010
835	Clack, Rubber	L04119
850	Flange, Companion	S15933
•	Spacer, Impeller	S15405

\* Includes grease fitting and set screw.  
• Not illustrated.

**NOTE 1: Shaft Replacement Kit** available for this model. Berkeley part number **B80699**. Pump Shaft sold in shaft replacement kit only.

# BERKELEY® B4ZRKS Cast Iron Impeller

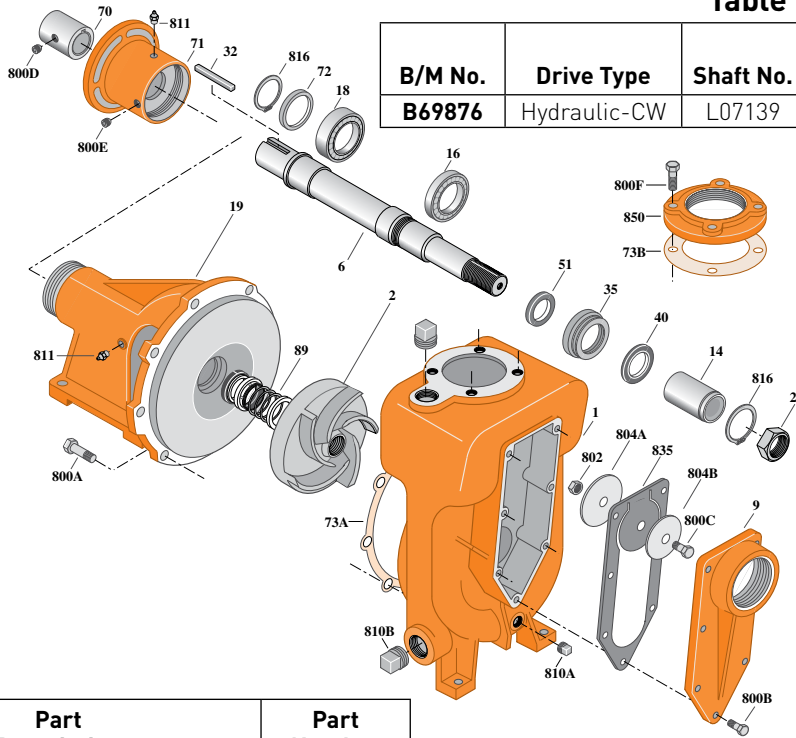
## BEARING FRAME MOUNT SELF PRIME

Threaded Case (NPT), Mechanical Seal Construction

Section	FM/SP
Page	40.2
Date	March 4, 2013
Supersedes 01/01/04	

Table I

B/M No.	Drive Type	Shaft No.	Impeller	Impeller Size
<b>B69876</b>	Hydraulic-CW	L07139	M08095	9.12"x1.00" BA



Item No.	Part Description	Part Number
1	Case, Volute	H02505
2	Impeller	See Table I
6	Shaft	See Table I
9	Cover, Suction	L04108
14	Sleeve, Shaft	S39242
16	Bearing, Ball	S13270
18	Bearing, Ball	S13271
19	Frame	H04007
24	Nut, Hex Jam	M10220
32	Key, 1/4x1"	S24168
35	Inner Bearing Cap	M10213
40	Slinger, Water	S12260
51	Seal, Oil	M10216
70	Coupling, Shaft	S30636
71	Bracket, Hydraulic Motor*	L05720
72	Ring, Thrust	S29218
73A	Gasket, Case	S05126
73B	Gasket, Blind Flange	S10364
89	Seal, Mechanical Shaft	S32690

Item No.	Part Description	Part Number
800A	Capscrew, Hex 3/8-16x1" (8 Req.)	S26826
800B	Capscrew, Hex 3/8-16x1-1/4" (7 Req.)	S26828
800C	Capscrew, Hex 3/8-16x3/4"	S26824
800D	Set Screw, Hex 1/2"	S23964
800E	Set Screw, Hex 5/8" (2 Req.)	S23965
800F	Capscrew, Hex 5/8-11x1-3/4" (4 Req.)	S27001
802	Nut, Hex 3/8-16	S23103
804A	Weight, Clack	S14842
804B	Weight, Clack	S15325
810A	Plug, Pipe 1/2" NPT	S23717
810B	Plug, Pipe 1-1/2" NPT (2 Req.)	S23695
811	Fitting, Grease (3 Req.)	S23670
816	Ring, Retaining External	S23009
816	Ring, Retaining	S23010
835	Clack, Rubber	L04119
850	Flange, Companion	S15933
•	Spacer, Impeller	S15405

\* Includes grease fitting and set screw.  
• Not illustrated.

**NOTE 1: Shaft Replacement Kit** available for this model. Berkeley part number **B80703**. Pump Shaft sold in shaft replacement kit only.

# BERKELEY® B4ZRKS

## Cast Iron Impeller

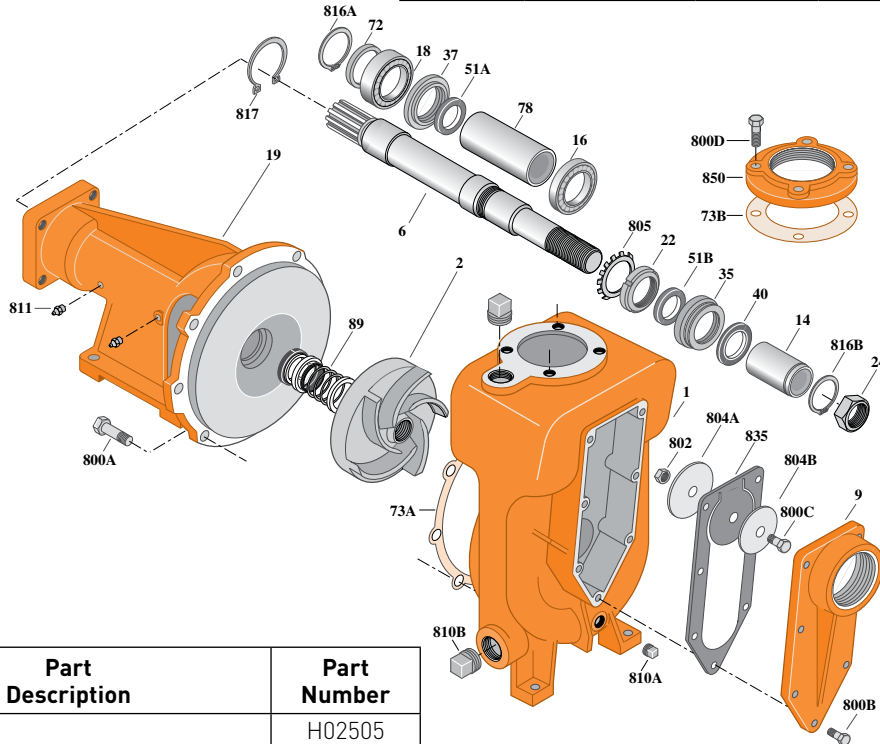
Threaded Case (NPT), Mechanical Seal Construction

### BEARING FRAME MOUNT SELF PRIME

Section	FM/SP
Page	40.2.1M
Date	March 4, 2013
Supersedes 01/01/04	

**Table I**

B/M No.	Drive Type	Shaft No.	Impeller	Impeller Size
<b>B70373</b>	Hydraulic-CW	L07118	M08095	9.12"x1.00" BA



Item No.	Part Description	Part Number
1	Case, Volute	H02505
2	Impeller	See Table I
6	Shaft	See Table I
9	Cover, Suction	L04108
14	Sleeve, Shaft	S39242
16	Bearing, Ball	S13270
18	Bearing, Ball	M10218
19	Frame	H05119
22	Nut, Bearing Lock	M10221
24	Nut, Hex Jam	M10220
35	Inner Bearing Cap	M10213
37	Outer Bearing Cap	M10214
40	Slinger, Water	S12260
51A	Seal, Oil	M10217
51B	Seal, Oil	M10216
72	Washer, Thrust	M10222
73A	Gasket, Case	S05126
73B	Gasket, Blind Flange	S10364
78	Sleeve, Spacer	M10215
89	Seal, Mechanical Shaft	S32690

Item No.	Part Description	Part Number
800A	Capscrew, Hex 3/8-16x1" [8 Req.]	S26826
800B	Capscrew, Hex 3/8-16x1-1/4" [7 Req.]	S26828
800C	Capscrew, Hex 3/8-16x3/4"	S26824
800D	Capscrew, Hex 5/8-11x1-3/4" [4 Req.]	S27001
802	Nut, Hex 3/8-16	S23103
804A	Weight, Clack	S14842
804B	Weight, Clack	S15325
805	Washer, Bearing Lock	S16181
810A	Plug, Pipe 1/2" NPT	S23717
810B	Plug, Pipe 1-1/2" NPT [2 Req.]	S23695
811	Fitting, Grease [2 Req.]	S23670
816A	Ring, Retaining External	S23010
816B	Ring, Retaining External	S23009
817	Ring, Retaining Internal	S23023
835	Clack, Rubber	L04119
850	Flange, Companion	S15933