

BALDOR® • RELIANCE

Product Information Packet

CDP3335

.5HP,2500RPM,DC,56C,3327P,TENV,F1

Part Detail							
Revision:	W	Status:	PRD/A	Change #:		Proprietary:	No
Type:	DC	Prod. Type:		Elec. Spec:	33WGZ148	CD Diagram:	CD0194
Enclosure:	TENV	Mfg Plant:		Mech. Spec:	33-2123	Layout:	33LY2123
Frame:	56C	Mounting:	F1	Poles:	///	Created Date:	
Base:	RG	Rotation:	R	Insulation:	F	Eff. Date:	11-14-2014
Field Type:		Literature:		Elec. Diagram:		Replaced By:	

Nameplate NP0891L			
CAT.NO.	CDP3335		
SPEC.	33-2123Z148		
HP	.5	ENCL	TENV
RPM	2500		
FRAME	56C	TYPE	3327P
ARM V	90	ARM A	5
FLD V		FLD A	
INSUL	F	AMB.	40
DUTY	CONT	SUPPLY	1.3
BRG/DE	6203	BRG/ODE	6203
BRUSHES	2/BP5011CV01		
		BLANK	
SER.			
BLANK			
APRV-CE	<input type="checkbox"/> Y	APRV-CSA	<input type="checkbox"/> Y
		APRV-UL	<input type="checkbox"/> Y

Parts List		
Part Number	Description	Quantity
SA005082	SA 33-2123Z148	1.000 EA
AA002731	AA 33-2123Z148	1.000 EA
BP5011CV01SP	CARBON BRUSH - 33P, 180V	1.000 EA
BP5012A04SP	BRUSH SPRING FOR DC MOTORS	1.000 EA
33CB5000A03	33P BOX & LEAD ASSY	1.000 EA
33GS1006A01	GASKET CONDUIT BOX (LEXIDE)	1.000 EA
51XT0832A08	8-32 X 1/2 TY23 HXWS SLDSR	3.000 EA
51XW0832G07	8-32 X 7/16 TY23 HXWS SLDSR GR	1.000 EA
HW3001B01	BRASS CUP WASHER, FOR #8 SCREW	1.000 EA
51XW0832A07	8-32 X .44, TAPTITE II, HEX WSHR SLTD SE	4.000 EA
33EP3101A04	FR ENDPLATE, MACH	1.000 EA
33CB4501A01SP	BRUSH INSPECTION COVER	2.000 EA
33GS1005A01	GASKET, BRUSH INSP. COVERELECTRICLY NON-	2.000 EA
51XW0832A07	8-32 X .44, TAPTITE II, HEX WSHR SLTD SE	4.000 EA
HW5100A03SP	WAVY WASHER (W1543-017)	1.000 EA
33EP3302A10	PU ENDPLATE, MACH	1.000 EA
51XN1032A20	10-32 X 1 1/4 HX WS SL SR	2.000 EA
HA6887	SHAFT PROTECTOR STAMPED STEEL 20 GA.	1.000 EA
10XN2520A06	1/4 20X3/8 HX HD CAP	2.000 EA
34CB4512	34 CB LID	1.000 EA
34GS1001	GASKET, STD CONDUIT BOX LID (LEXIDE)	1.000 EA
51XW0832A07	8-32 X .44, TAPTITE II, HEX WSHR SLTD SE	4.000 EA
HW2501D13	KEY, 3/16 SQ X 1.375	1.000 EA
HA7000A04	KEY RETAINER 0.625 DIA SHAFTS	1.000 EA

Parts List (continued)		
Part Number	Description	Quantity
MG1000G27	MED CHARCOAL METALLIC GREY 400-0096	0.013 GA
10XF0440S02	04-40 X 1/8 TYPE F HEX HD STAINLESS STIC	2.000 EA
33RK5004SP	ROCKERARM	1.000 EA
HA3100S02	THRUBOLT - 10-32 X 9.00 SS	2.000 EA
LB1119N	WARNING LABEL	1.000 EA
MN416A01	TAG-INSTAL-MAINT no wire (1200/bx) 11/14	1.000 EA
LC0194	CONNECTION LABEL	1.000 EA
NP0891L	NP STD LASER ENGRAVED DC MTRS, UL CSA CE	1.000 EA
35PA1000	PKG GRP, PRINT PK1008A06	1.000 EA

Accessories		
Part Number	Description	Multiplier
TK3300	TACHO MOUNTING KIT TK3300	A8
TK3300-HPU	HPU10 MOUNTING KIT 33P/34P TENV	

DC Motor Performance Data

Record # 352 - Typical performance - not guaranteed values

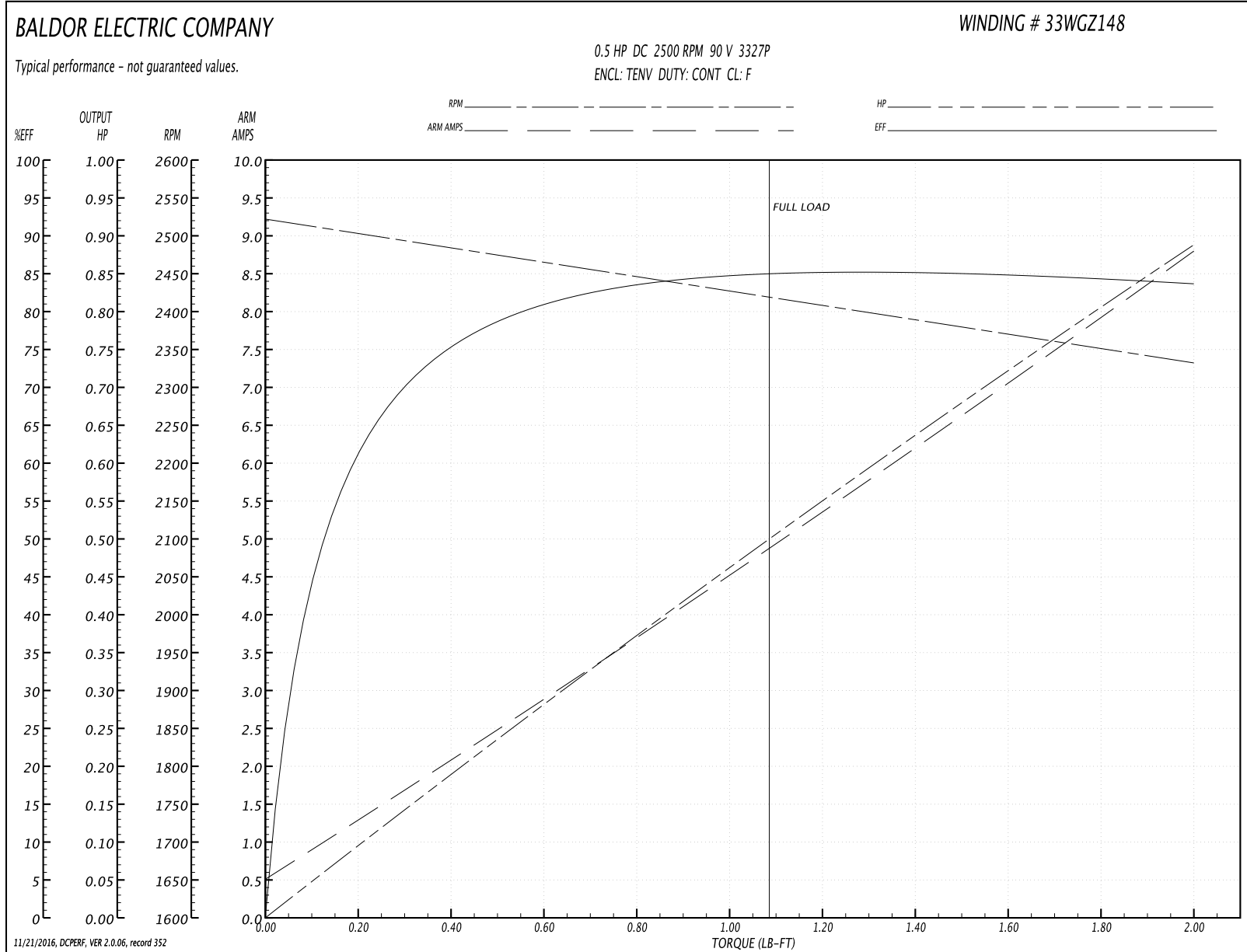
Winding: 33WGZ148-R002	Type: 3327P	Enclosure: TENV
-------------------------------	--------------------	------------------------

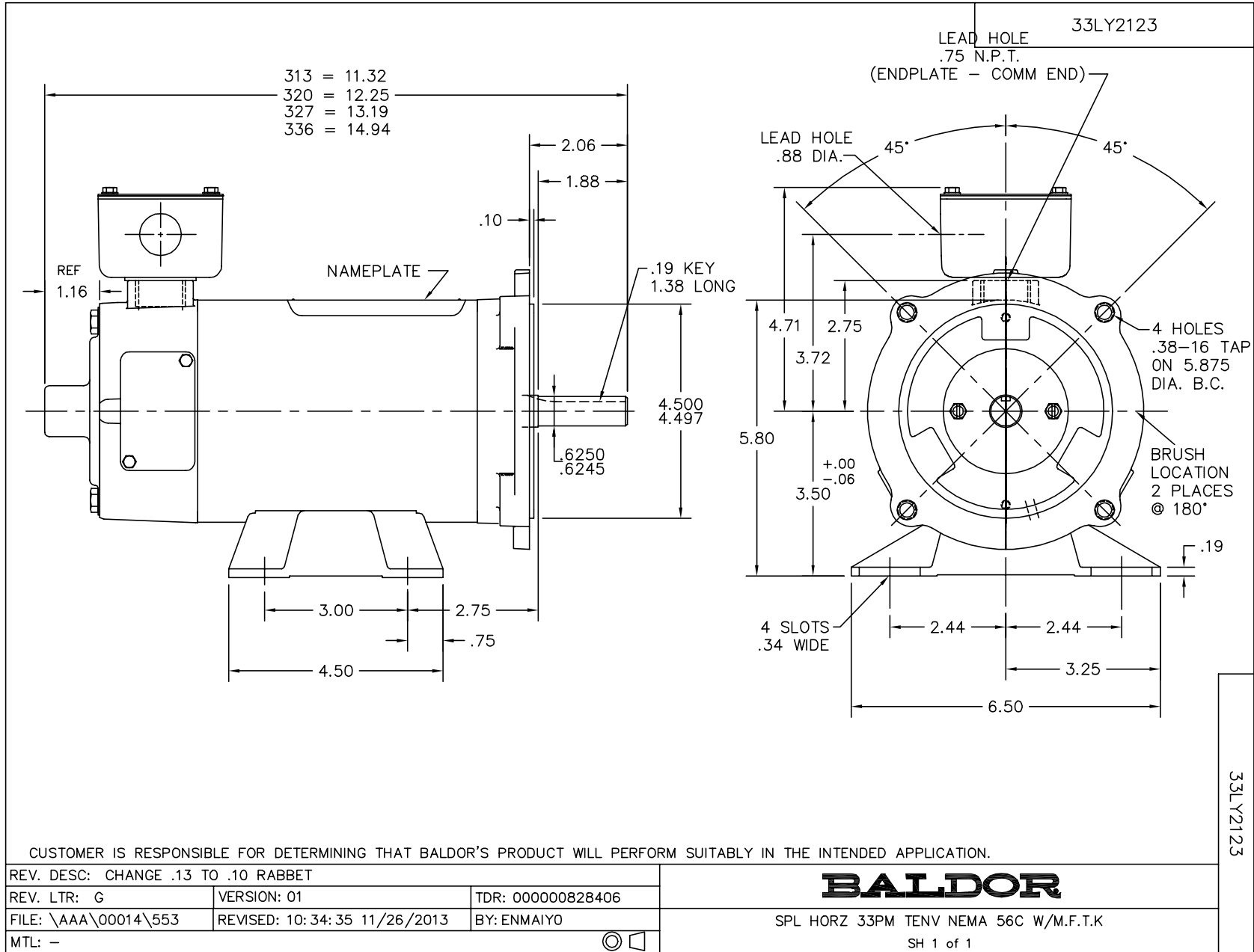
Nameplate Data		General Characteristics	
Rated Output (HP)	0.5	Armature Resistance @ 25°C	0.664 Ω
R.P.M.	2500		
Armature Volts	90	Voltage Constant	35.76 v/krpm
Armature Amps	5		
Field Volts		Armature Inductance	5.119 mH
Field Amps		Armature Inertia	6.318 LI ²
Rating - Duty	40C AMB-CONT		
Form Factor	1.3		

Load Characteristics at 90 Armature Volts

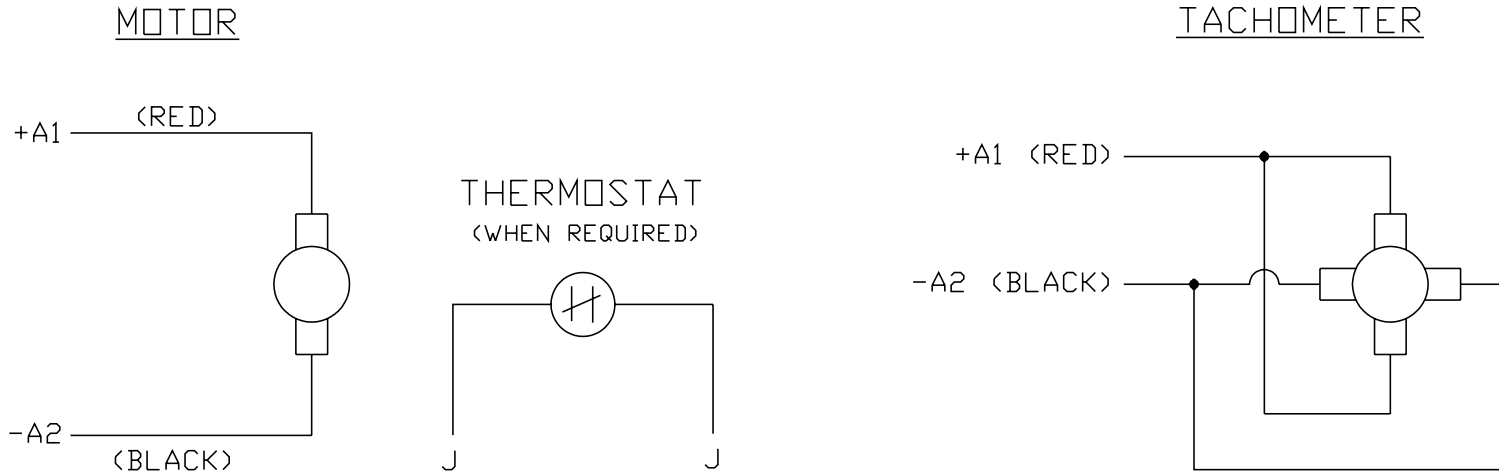
Load Point	1	2	3	4	5	6	7
Armature Amps	0.5	2.5	3.5	4.6	5.4	6.7	8.8
R.P.M.	2526	2469	2447	2426	2415	2375	2332
Torque (LB-FT)	0	0.5	0.75	1	1.25	1.5	2

Performance Graph at 90.0 Arm V, 0.5HP Typical performance - Not guaranteed values





CD0194



NOTES:

1. CCW ROTATION AS SHOWN FACING COMMUTATOR END. TO REVERSE MOTOR ROTATION OR TACHOMETER OUTPUT POLARITY INTERCHANGE LEADS A1(RED) & A2(BLACK)
2. LEAD COLORS FOR REFERENCE ONLY & NOT SPECIFIED BY THIS DRAWING. LEAD COLORS SPECIFIED BY LAYOUT DRAWING & BILL OF MATERIAL ONLY.

MATL: -			
REV: E	ADDED NOTE "LEAD COLORS FOR REFERENCE ONLY &..."		
CD0194	SCALE: -	BY: CK	REVISED: 07/28/95
	FILE: AAA00004503		TDR: 0078737

BALDOR ELECTRIC Co.

CD TYPE P DC PERMANENT MAGNET MOTORS AND TACHOMETERS

CD0194