

BALDOR® • RELIANCE

Product Information Packet

CEM7068T-I

75//60HP,1780//1480RPM,3PH,60//50HZ,365T

Part Detail							
Revision:	H	Status:	PRD/A	Change #:		Proprietary:	No
Type:	AC	Prod. Type:	A36068M	Elec. Spec:	A36WG0798	CD Diagram:	416820-002
Enclosure:	TEFC	Mfg Plant:		Mech. Spec:		Layout:	616512-502
Frame:	365TC	Mounting:	F1	Poles:	04	Created Date:	09-27-2014
Base:		Rotation:	R	Insulation:	F	Eff. Date:	09-30-2016
Leads:	3#4,6#6					Replaced By:	
Literature:		Elec. Diagram:					

Nameplate NP2496L	
MOBIL POLYREX EM	

Nameplate 000613006PC	
CLASS I GROUP	C D X
CLASS II GROUP	X X X
OPERATING TEMP CODE	T3C

Nameplate NP2293L			
CAT.NO.	CEM7068T-I	SPEC NO.	A36-5813-0798
HP	75//60	PHASE	3
RPM	1780//1480	DESIGN	B
VOLTS	230/460//190/380	TYPE	P
AMPS	168/84.1//164/82	AMB	40
DRIVE END BEARING	65BC03J30X	SF	1.15
OPP D.E. BEARING	65BC03J30X	DUTY	CONT
SER.NO.		ENCL	TEFC
		INSUL.CLASS	F
		CODE	F
		NEMA-NOM-EFFICIENCY	95.4
			NEMA MG-1 PT 5, IP55
			SUIT FOR 55C @ 1.00SF, SUITABLE FOR 208V
		FRAME	365TC
			MOTOR WEIGHT 977

Parts List		
Part Number	Description	Quantity
SA290521	SA A36-5813-0798	1.000 EA
RA276676	RA A36-5813-0798	1.000 EA
421948032	LABEL, MYLAR	1.000 EA
NP2496L	MOTOR LUBE NAMEPLATE	1.000 EA
LB1073	ALUM XP CAUTION LABEL	1.000 EA
000692000VD	LABEL WARNING	1.000 EA
000613006PC	N/P U/L (REL QTY 500)	1.000 EA
NP2293L	BALDOR RELIANCE INDUST. MTR,SS,CSA-C US,	1.000 EA
609158001B	SLGR - 360	1.000 EA
603284001S	SLGR - 360	1.000 EA
087793050B	BRKT 360 087793050WCB	1.000 EA
415072001B	CLAMP	1.000 EA
078559001A	+FANCV - 360	1.000 EA
034180012DA	KEY 1X4X1/4X1-1/2 L	1.000 EA
702676001C	FAN 360 - 56 PCS	1.000 EA
004824015A	GREASE POLYREX EM	0.540 LB
032018008AK	HHCS 1/4-20X1 PLATED	4.000 EA
032018018CK	HHCS 3/8-16X2-1/4 PLTD.	2.000 EA
415096002A	CPLG 1/8 HEX TYPE	1.000 EA
410700004F	WSHR	1.000 EA
034017016AB	LCKW 1/2" PLATED	4.000 EA
034017012AB	LCKW 1/4 STD. PLATED	4.000 EA
032130020DB	HSKCS 1/2-13X2-1/2 PLTD.	4.000 EA
034017014AB	LCKW 3/8 STD. PLATED	2.000 EA

Parts List (continued)		
Part Number	Description	Quantity
034530056AC	P/NIP 1/8X7L GALV-365	1.000 EA
034690002AB	"unbulked" PPLG 1/4" PLTD.	1.000 EA
034690002AB	"unbulked" PPLG 1/4" PLTD.	1.000 EA
087793117	BRKT B.E.C-FACE 360 FCXP 6313 W/ 1/4"	1.000 EA
032018018CK	HHCS 3/8-16X2-1/4 PLTD.	2.000 EA
415045002E	SLGR	1.000 EA
034017016AB	LCKW 1/2" PLATED	4.000 EA
034017014AB	LCKW 3/8 STD. PLATED	2.000 EA
402558000DDA	BRDRN	1.000 EA
032130020DB	HSCHS 1/2-13X2-1/2 PLTD.	4.000 EA
16CB1001A01	CONDUIT BOX MACH. GROUP C MTRS	1.000 EA
032130014CB	HSCHS 3/8-16X1-3/4 PLTD.	4.000 EA
034017014AB	LCKW 3/8 STD. PLATED	4.000 EA
WD1000B92	T&B TTC2, GROUND CONNECTOR	1.000 EA
16CB1501A01	CONDUIT BOX LID MACH.GRP C MTRS 16CB1501	1.000 EA
032130012EB	HSCHS 5/8-11X1-1/2 PLTD.	8.000 EA
034017018AB	LCKW 5/8"	8.000 EA
406099000A	PLUG - FAN COVER 320-440	1.000 EA
418150003A	GREASE FITTING CAP	1.000 EA
035000001A	ALFTG 1/8" 1610-BL	1.000 EA
406055001C	GRFTG	1.000 EA
035000001A	ALFTG 1/8" 1610-BL	1.000 EA
418150003A	GREASE FITTING CAP	1.000 EA
MG1025N19	WILKO 778.50 BLUE GREEN - 55 GAL DRUMS	0.250 GA

Product Information Packet: CEM7068T-I - 75//60HP,1780//1480RPM,3PH,60//50HZ,365T

033775004EA	DRSCR #6-1/4 304 S.S.	8.000 EA
034180034HA	KEY 5/8X5/8X4-1/4 L	1.000 EA
HW1000A32	5/16 FL WASHER WIDE,ID=.344,OD=1.125	3.000 EA
032509020C	CARRIAGE BOLT - 360	3.000 EA
14PA1000	PACKAGING 314 GROUP COMBINED PRINT	1.000 EA

DUTY MASTER ALTERNATING CURRENT MOTORS

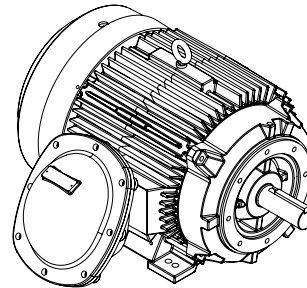
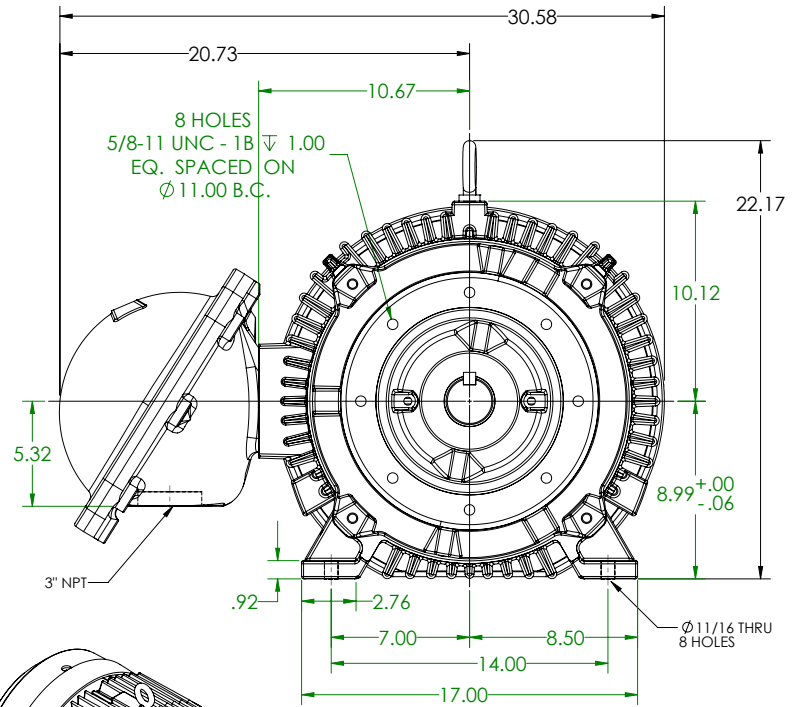
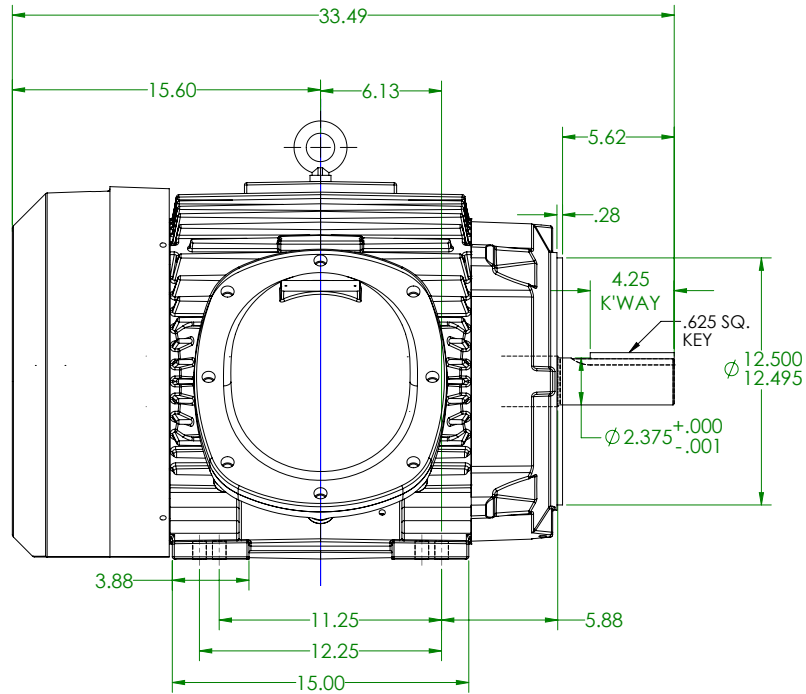
SQUIRREL-CAGE INDUCTION

ENCLOSURE: TOTALLY ENCLOSED

FRAME 365TC
INCLUDES 364TC FRAME MOUNTING HOLES

COOLING: FAN-COOLED

MOUNTING: FOOT



DIMENSIONS ARE IN INCHES

CUSTOMER IS RESPONSIBLE FOR DETERMINING THAT MOTOR PERFORMANCE IS SUITABLE IN THE APPLICATION.

REV. DESC: REVISED D'S TO SHOW CORRECT LOC. FOR "AH" SEE TDR
 REV: A VERSION: 01 REVISED: 02-25-43 10/30/2015 TDR: 00000951147
 MODEL NO. 616512-502
 BY: RAGGDM

BALDOR

E365TC 6313 FCXP W/BOLT ON CONDUIT BOX -- CLASS 1 GR. C & D

SHEET NUMBER
1 OF 1

IF MOUNTING CLEARANCE DETAILS ARE REQUIRED, CONSULT FACTORY.
 MAXIMUM PERMISSIBLE SHAFT RUNOUT WHEN MEASURED AT END OF
 STANDARD SHAFT EXTENSION IS .001" T.I.R.

005-215919

616512-502

CONNECTION DIAGRAM ACCESSORIES

MOTOR WINDING THERMOSTATS	
CONTACTS _____ @ _____ °C	
FIGURE NUMBER _____	
CONTACT RATING	
VOLTS	CONTACT RATING CONTINUOUS AMPERES
110-120	3.0
220-240	1.5
440-480	0.75
550-600	0.60
	INRUSH AMPERES
	30
	15
	7.5
	6.0

NORMALLY CLOSED	THERMOSTATS	NORMALLY OPEN
FIGURE 1 		FIGURE 4
FIGURE 2 		FIGURE 5
FIGURE 3 		FIGURE 6
FIGURE 7 		FIGURE 8

CUSTOMER _____ CUSTOMER ORDER NO. _____ S.D. NO. _____

418174-006

418174-006

REV. DESC: LOADED TO BUS		TDR: 000000570390
REV. LTR: A	VERSION: 01	BY: RAGDRF
FILE: \RAG\00013\849	REVISED: 10:16:21 12/07/2010	
MTL: -		

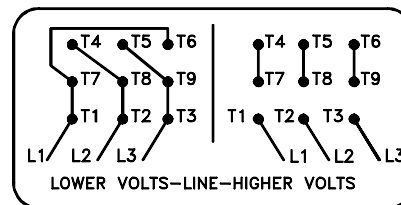
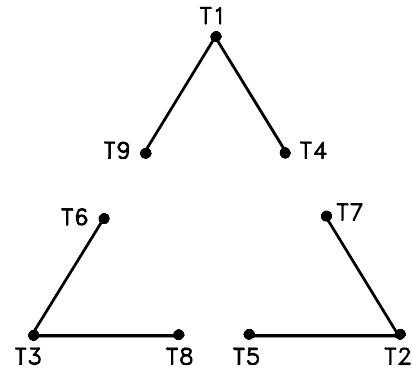
BALDOR

A-C MOTOR CONNECTION ACCESSORIES

SH 1 of 1

416820-002

A-C MOTOR
 CONNECTION DIAGRAM
 STANDARD 9 LEAD DELTA-CONNECTED



(N.P. 1575-B)

416820-002

REV. DESC: LOADED TO BUS, C/R 335225		
REV. LTR: -	VERSION: 00	TDR: 000000538207
FILE: \MGA\00000\661	REVISED: 10: 47: 51 04/30/2010	
MTL: -	BY: RAGRA	

BALDOR

CONN DIAG - STANDARD 9 LEAD, DELTA-CONNECTED

SH 1 of 1

Marketing maintained PDF of MN408:

<http://www.baldor.com/support/Literature/Load.ashx/MN408?ManNumber=MN408>

Marketing maintained PDF of MN416:

<http://www.baldor.com/support/Literature/Load.ashx/MN416?ManNumber=MN416>